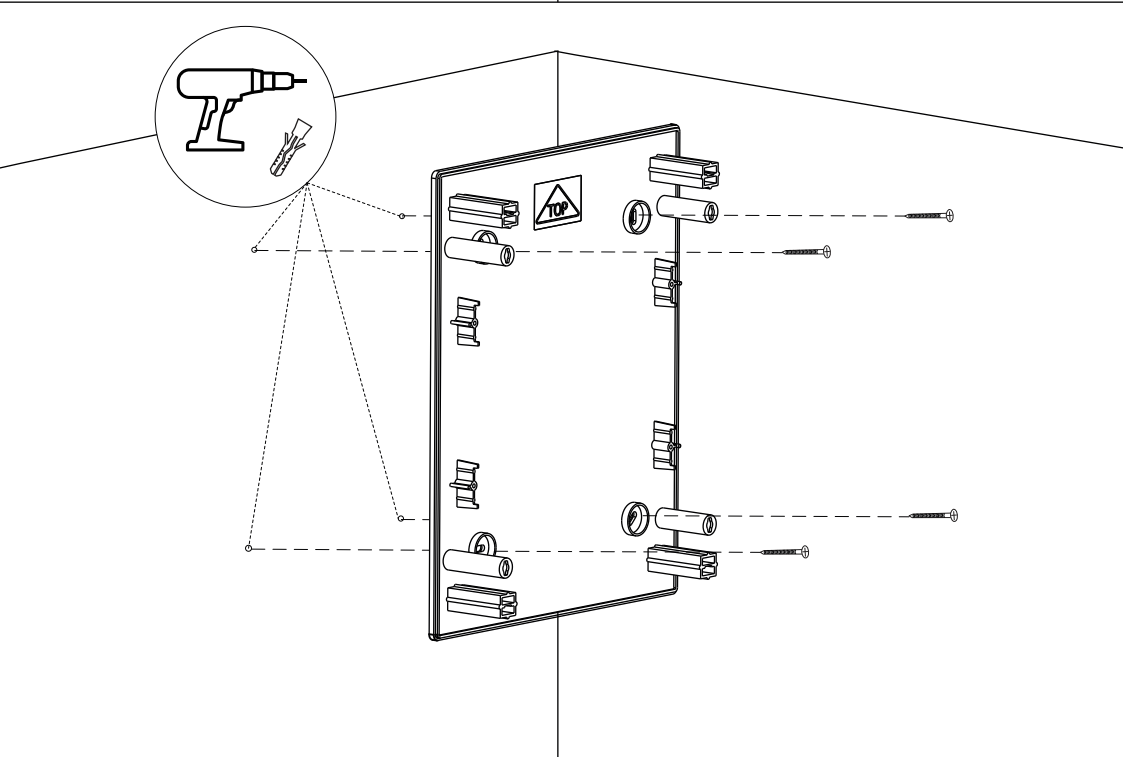
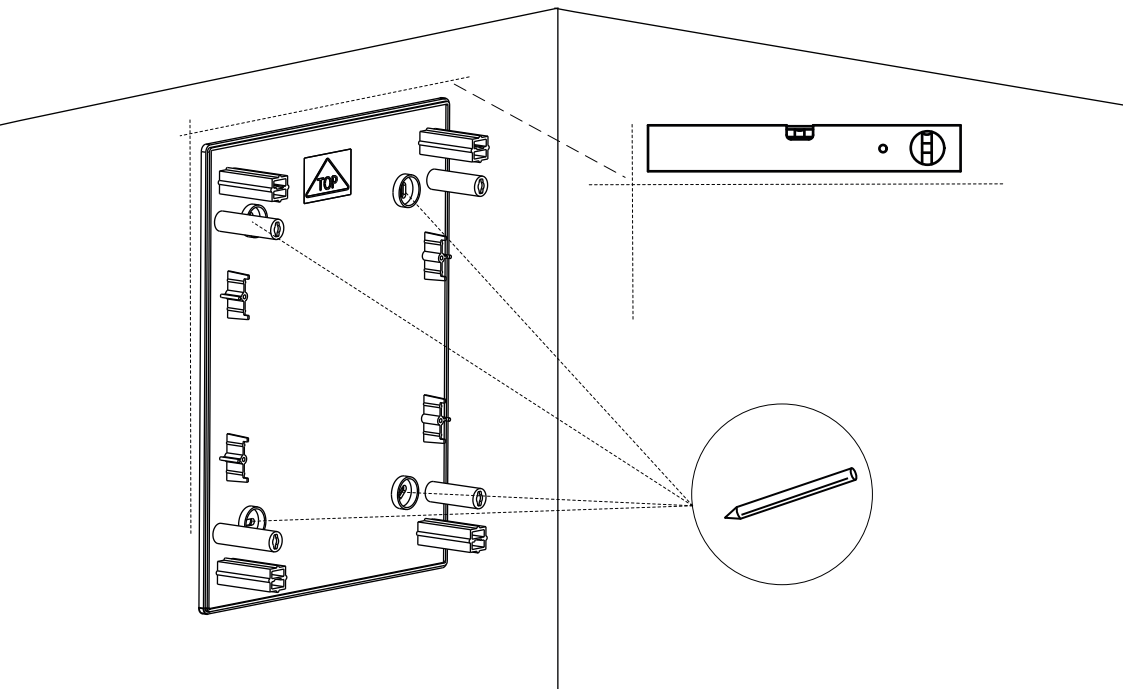


DIN RAIL MOUNTING	A	B	C	D	E	Pde	Static load
ECT4PT / ECT4PO	235 mm	143 mm	98 mm	127 mm	46 mm	10 W	520 g
ECT8PT / ECT8PO	236 mm	287 mm	102 mm	107 mm	180 mm	16 W	1040 g
ECT12PT / ECT12PO	236 mm	287 mm	112 mm	107 mm	180 mm	25 W	1560 g
ECT24PT / ECT24PO	361 mm	287 mm	112 mm	232 mm	180 mm	30 W	1560 g
ECT36PT / ECT36PO	485 mm	287 mm	112 mm	357 mm	180 mm	30 W	1560 g
ECT48PT / ECT48PO	652 mm	287 mm	112 mm	482 mm	180 mm	35 W	1560 g
ECT18PT / ECT18PO	236 mm	396 mm	112 mm	107 mm	289 mm	25 W	2340 g
ECT 2x18PT / ECT 2x18PO	361 mm	396 mm	112 mm	232 mm	289 mm	30 W	2340 g
ECT 3x18PT / ECT 3x18PO	526 mm	396 mm	112 mm	357 mm	289 mm	35 W	2340 g
ECT 4x18PT / ECT 4x18PO	651 mm	396 mm	112 mm	482 mm	289 mm	40 W	2340 g
ECT 1x24PT / ECT 1x24PO	236 mm	503 mm	112 mm	107 mm	396 mm	30 W	3120 g

For indoor locations ($\leq 50\%$ RH at max. $+40^{\circ}\text{C}$ or for example 90% RH at $+20^{\circ}\text{C}$)
 Temperature range: -25°C ... $+60^{\circ}\text{C}$, Rating Voltage AC 400 V; IP40; Class II; IK07
 According to: IEC 60670; IEC 62208

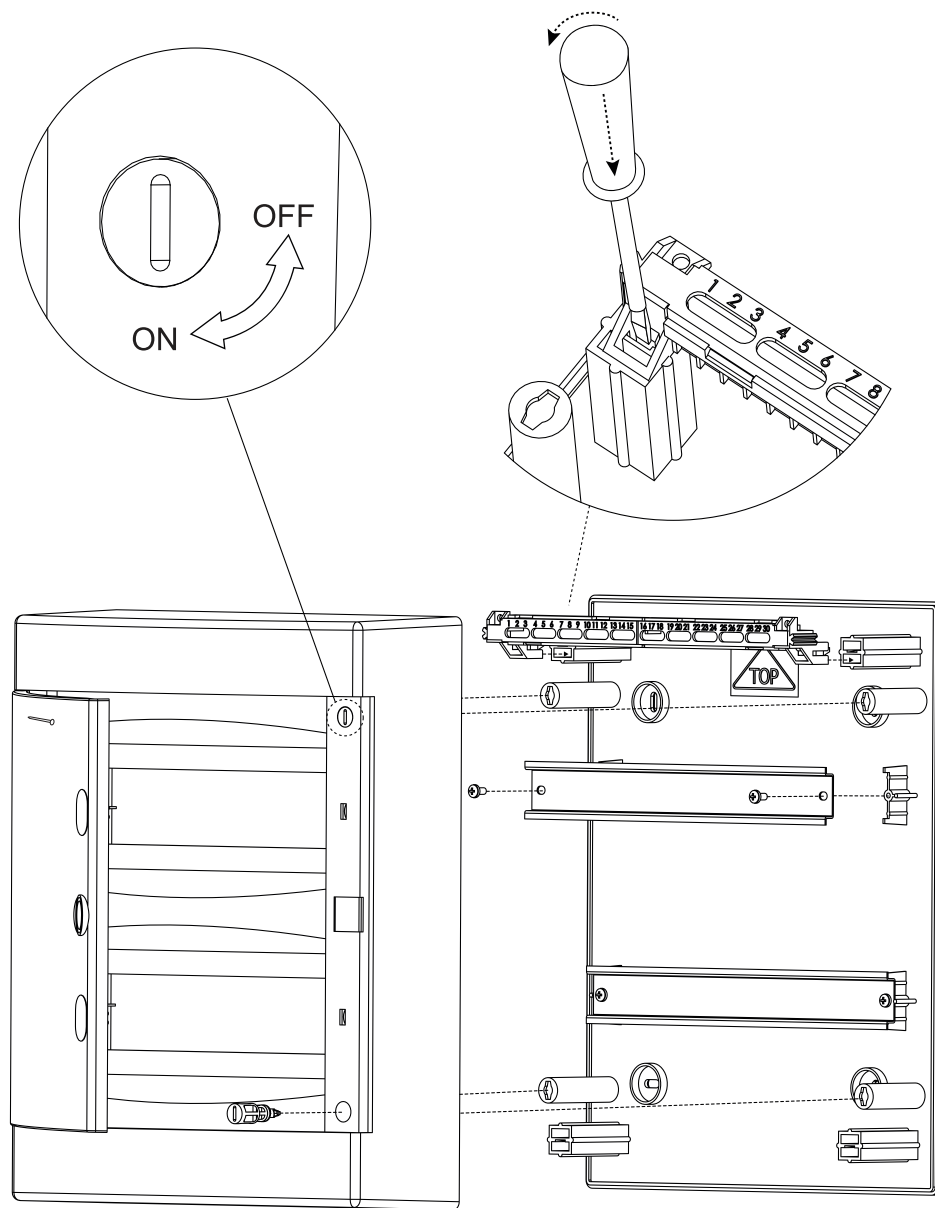
ETI Elektroelement d.o.o
 Obrezija 5
 1411 Izlake
 Slovenia

ETI Polam Sp.z.o.o.
 ul. Jana Pawła II 18
 06-100 Pułtusk
 Polska



DIN RAIL MOUNTING

Ed.4 - 01/2022



DIN RAIL MOUNTING