

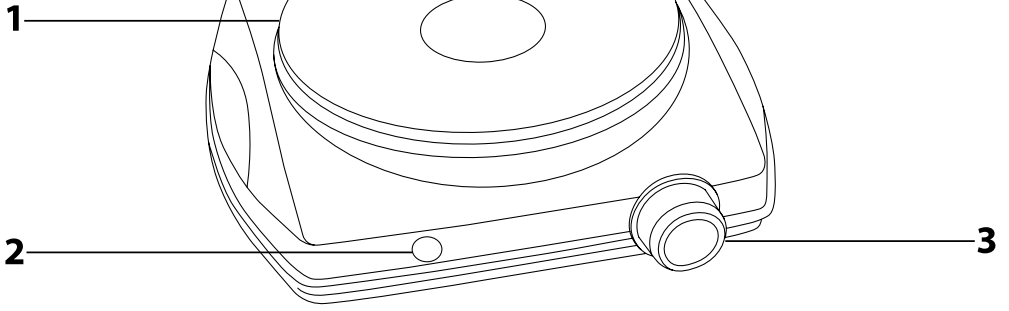
**SENCOR®**

SCP 1503WH  
SCP 1504BK  
SCP 1505SS



## **EN ■ Electric Single Hotplate**

**A**



### IMPORTANT SAFETY INSTRUCTIONS

#### READ CAREFULLY AND STORE FOR FUTURE USE.

- This appliance may be used by children 8 years of age and older and by persons with physical or mental impairments or by inexperienced persons, if they are properly supervised or have been informed about how to use the product in a safe manner and understand the potential dangers. Cleaning and user maintenance must not be performed by children unless they are older than 8 years of age and under supervision. Keep this appliance and the power cord out of reach of children that are younger than 8 years of age.
- Children must not play with the appliance.
- This appliance is designed for household use only. It is not intended for use in locations such as:
  - staff kitchens in stores, offices and other workplaces;
  - agricultural farms;
  - hotel or motel rooms and other living areas;
  - bed and breakfast establishments.
- Do not use the appliance outdoors or in an industrial environment.
- Never use the appliance for any other purposes than those for which it is intended.
- Before connecting the appliance to a power socket, check that the nominal voltage on its rating label matches the voltage in the power socket to which you wish to connect it. Connect the appliance only to a properly grounded socket.

Do not use an extension cord. Fully unwind the power cord before using it.



#### Attention:

This appliance is not intended to be operated using an external timer switch or remote control.

- Only use the appliance on a horizontal, dry, clean and stable surface. Do not use the appliance on the drip area of the kitchen sink.
- Do not place the appliance on the edge of a table or on an electric or gas stove or in their vicinity.
- Do not use the appliance on a surface that is sensitive to heat or that is covered by a table cloth, paper or other flammable material, in the vicinity of curtains and other flammable materials or materials sensitive to heat.
- During operation there needs to be sufficient area for air circulation above the appliance and around it. A safety clearance of at least 50 cm must be maintained, in the direction of the main radiant heat, from the surface of flammable materials located above the hotplate, and at least 10 cm in all other directions.
- While in operation, the appliance must be located on a kitchen countertop with no cupboard above it.
- Do not place any items on to the appliance.
- Do not cover the appliance or block its vents. The appliance may only be covered when it is disconnected from the power socket and has cooled down completely.



This label located on the appliance means:  
**ATTENTION: Hot surface**  
**These surfaces may become hot during use.**

- The temperature of accessible surfaces on the appliance is high when the appliance is in operation and, due to residual heat, for a certain time after operation. Do not touch the hot surface of the appliance. There is a danger of burns.
- When the appliance is in operation, the temperature of adjacent surfaces may be higher.
- Do not use the appliance without a pot or pan placed on the hotplate. Regularly check the condition of the food while the hotplate is running.
- Only use pots and pans intended for cooking.
- Always make sure that the pot or pan is correctly placed on the hotplate. The handle of the cookware must be in a safe position so as to prevent brushing against it and overturning the cookware.
- Be very careful when cooking with oil or shortening. Shortening or oil heated to a high temperature may ignite.
- When handling hot cookware, which contains hot food or liquids, be especially careful so as not to burn or scald yourself.
- When handling hot cookware, use kitchen gloves.
- The appliance must not be left without supervision when in operation or when connected to a power socket.
- Always check that the temperature control knob is set to position MIN before connecting the appliance to a power socket. Always after finishing using the appliance, set the temperature control knob to position MIN and disconnect the power cord from the power socket. Keep in mind that the hotplate will emit residual heat for a certain time

after it is used. Be especially careful not to touch the hot surface of the appliance.

 **Warning:**

In the event that the surface of the hotplate is cracked, immediately turn the appliance off and disconnect it from the power socket to prevent possible injury by electrical shock. Never use the appliance with a cracked hotplate or if it is damaged in any other way. Hand the appliance over to an authorised service centre for repair.

- Always set the temperature control knob to position MIN and disconnect the power cord from the power socket when leaving the appliance without supervision, when not using it and before cleaning, maintenance, moving or storing it. Never move the appliance during operation.
- Allow the appliance to fully cool down before moving, cleaning, maintenance or storing it. Never move the appliance when there is a pot or pan on it or unless it has cooled down completely.
- Regularly clean the appliance after each use according to the instructions in the chapter Cleaning and maintenance. Do not perform any maintenance on the appliance except for cleaning as described in this user's manual.
- To prevent a dangerous situation from arising, do not clean the appliance or its power cord under running water and do not submerge in water or any other liquid.
- Do not place heavy items on the power cord. Make sure the power cord does not hang over the edge of a table, that it is not touching a hot surface or sharp objects.

- Disconnect the appliance from the power socket by gently pulling the plug of the power cord, and not the power cord itself. Otherwise, this could damage the power cord or the socket.
- If the power cord is damaged, it must be replaced by the manufacturer, its service technician or by a similarly qualified person, as this will prevent a dangerous situation from arising.
- Do not use the appliance when it is not functioning correctly or after it has fallen on the floor, been submerged in water or is damaged in any other way. Hand it over to an authorised service centre for inspection or repair.
- In order to prevent a hazardous situation arising, do not repair the appliance yourself or modify it in any way. Have all repairs performed at an authorised service centre. By tampering with the appliance, you risk voiding your legal rights arising from unsatisfactory performance or quality warranty.

- Set the required temperature level using the temperature control knob **A3**. For quickly bringing the contents to a boil, use the highest level MAX, for frying we recommend setting levels 5–6, for maintaining a boil, set the medium levels 3 to 4 and for keeping food warm, use the low levels 1 to 2. The temperature level can be changed at any time during operation as required. During operation the thermostat switches the hotplate on and off to maintain the set temperature. The indicator light **A2** signals the thermostat switching on and off.
- Regularly check the condition of the food while the hotplate is running. Do not leave the appliance without supervision when it is in operation.



**Note:**  
When first turned on, a small amount of smoke may be emitted. This is an entirely normal event, which will disappear after a few minutes.

- When the meal is finished, set the temperature control knob **A3** to position MIN and disconnect the power cord from the power socket.
- Always after finishing using the appliance, make sure that the temperature control knob **A3** is set to position MIN and that the power cord is disconnected from the power socket.
- Allow the appliance to fully cool down and then clean it according to the instructions in chapter Cleaning and maintenance. Keep in mind that the appliance will emit residual heat for a certain time after it is used. Do not touch the hot surface. There is a danger of burns. Never move the appliance unless it has cooled down completely.

## CLEANING AND MAINTENANCE

- Clean the appliance after every use. Makes sure that dried on food or other residues do not accumulate on it. Before cleaning it, always set the temperature control knob **A3** to position MIN, disconnect the power cord from the power socket and allow the appliance to cool down completely.
- To clean the hotplate **A1**, use a soft, lightly dampened textile. Then wipe the hotplate **A1** dry.
- Clean around the hotplate **A1** using a soft, lightly dampened textile. In the event of greater soiling, use a small amount of neutral kitchen detergent. Remove any remaining detergent using a clean, lightly dampened cloth. Then thoroughly wipe the cleaned surface until dry.
- Do not use steel wool, solvents, cleaning products with an abrasive effect, etc. to clean the appliance. Otherwise the surface coat of the appliance may be damaged.
- Do not rinse or submerge the appliance or its power cord in water, even partially.
- Discolouration of the surface of the appliance may occur after a certain period of use. However, this does not have any effect on the functionality of the appliance.

## STORAGE

- Place the cooled and thoroughly cleaned appliance in a clean, dry place out of children's reach.

## TECHNICAL SPECIFICATIONS

Rated voltage range.....	220–240 V
Rated frequency.....	50/60 Hz
Rated power input.....	1 250–1 500 W

Changes to text and technical parameters are reserved.

## INSTRUCTIONS AND INFORMATION REGARDING THE DISPOSAL OF USED PACKAGING MATERIALS

Dispose of used packaging material at a site designated for waste in your municipality.

## DISPOSAL OF USED ELECTRICAL AND ELECTRONIC EQUIPMENT



This symbol on products or original documents means that used electric or electronic products must not be added to ordinary municipal waste. For proper disposal, renewal and recycling hand over these appliances to determined collection points. Alternatively, in some European Union states or other European countries you may return your appliances to the local retailer when buying an equivalent new appliance.

Correct disposal of this product helps save valuable natural resources and prevents potential negative effects on the environment and human health, which could result from improper waste disposal. Ask your local authorities or collection facility for more details.

In accordance with national regulations penalties may be imposed for the incorrect disposal of this type of waste.

### For business entities in European Union states

If you want to dispose of electric or electronic appliances, ask your retailer or supplier for the necessary information.

### Disposal in other countries outside the European Union

This symbol is valid in the European Union. If you wish to dispose of this product, request the necessary information about the correct disposal method from the local council or from your retailer.



This product meets all the basic requirements of EU directives related to it.

- Prior to using this appliance, please read the user's manual thoroughly, even in cases, when one has already familiarised themselves with previous use of similar types of appliances. Only use the appliance in the manner described in this user's manual. Keep this user's manual in a safe place where it can be easily retrieved for future reference.

- We recommend saving the original cardboard box, packaging material, purchase receipt and responsibility statement of the vendor or warranty card for at least the duration of the legal liability for unsatisfactory performance or quality. In the event of transportation, we recommend that you pack the appliance in the original box from the manufacturer.

## DESCRIPTION OF THE APPLIANCE

- A1** Hotplate, diameter 18 cm      **A3** Temperature control knob  
**A2** Indicator light

## BEFORE FIRST USE

- Remove all packaging materials, including promotional tags and labels from the appliance.
- Wipe the surface of the appliance with a clean, lightly dampened cloth. Then wipe it dry.

## OPERATING THE APPLIANCE

- Place the appliance on a kitchen countertop or on a table within reach of a power socket. At the same time, make sure that all safety instructions are followed.
- Make sure that the temperature control knob **A3** is set to position MIN and that there are no foreign objects are located on the hotplate **A1** and that its surface is clean.
- Fully unwind the power cord and connect it to a power socket. Since the appliance heats up during operation, the power cord must be located in such a way that it is not touching the surface of the appliance.
- Place a pot or pan on the hotplate **A1**. To achieve optimal power consumption and cooking time, use cookware with a flat base, the diameter of which corresponds to the size of the hotplate **A1**. Place foodstuffs into the pot or pan.