

User Manual

For Windows and Macintosh OS

INSPIROY® | Model: H320M

Precautions

1. Please read this manual carefully before using, and keep it well for future reference.
2. Before cleaning the tablet please unplug the power cord and wipe with a soft damp cloth, do not use any kind of detergents.
3. Don't expose this product to water or other liquids. Take care to never spill liquids onto the tablet and pen. Exposing this product to water or other liquids may cause product malfunction or electrical shock.
4. Do not place the tablet on where is unstable or a height for children reaching easily in order to avoid danger. Prevent children from swallowing the pen nib or side switch. The pen nib, side switch, or other movable parts may accidentally be pulled out if children are biting on them.
5. Power off your tablet in locations where/when electronic devices is not allowed. Because the tablet may cause other electronic devices to malfunction in some locations where/when the use of electronic devices is not allowed, such as within an airplane, be sure to turn off the tablet.
6. Do not disassemble the tablet and pen. Do not disassemble or otherwise modify the tablet or pen. Such action may cause heat generation, ignition, electronic shock, or other damage, including human injury. Disassembling the product will void your warranty.
7. While getting the components replaced, you are supposed to guarantee that the repairman is using the substitute components specified by the manufacturer. Unauthorized component replacement might cause fire, electric shocks or other dangers.
8. Do not insert foreign material into the USB port or any other opening of this product. If a metal object or foreign material is inserted into a port or other opening of this product it may cause the product to malfunction or burn out, or cause electronic shock.

Contents

1. Product Overview	3
1.1 Tablet Introduction.....	3
1.2 Product and Accessories	3
1.3 Connecting to Computer.....	4
1.4 Connecting to Android Phone.....	5
1.4 Driver Installation.....	5
1.5 Pen Nib Replacement.....	6
2. Product Basic Operation	7
2.1 Using The Pen.....	7
3. Driver Setting	9
3.1 Device Connection Prompt.....	9
3.2 Working Area Setting	9
3.3 Press Keys Function Setting	11
3.4 Pen Buttons Function Setting	11
3.5 Pressure Sensitivity Setting.....	12
3.6 Pen Pressure Testing	12
3.7 Enable the Windows Ink feature	13
3.8 Data Export and Import	13
4. Specifications	14
5. Trouble Shooting	15
5.1 Possible Breakdowns Related to TABLET	15
5.2 Possible Breakdowns Related to SYSTEM	15
6. After-service Contact.....	15

1. Product Overview

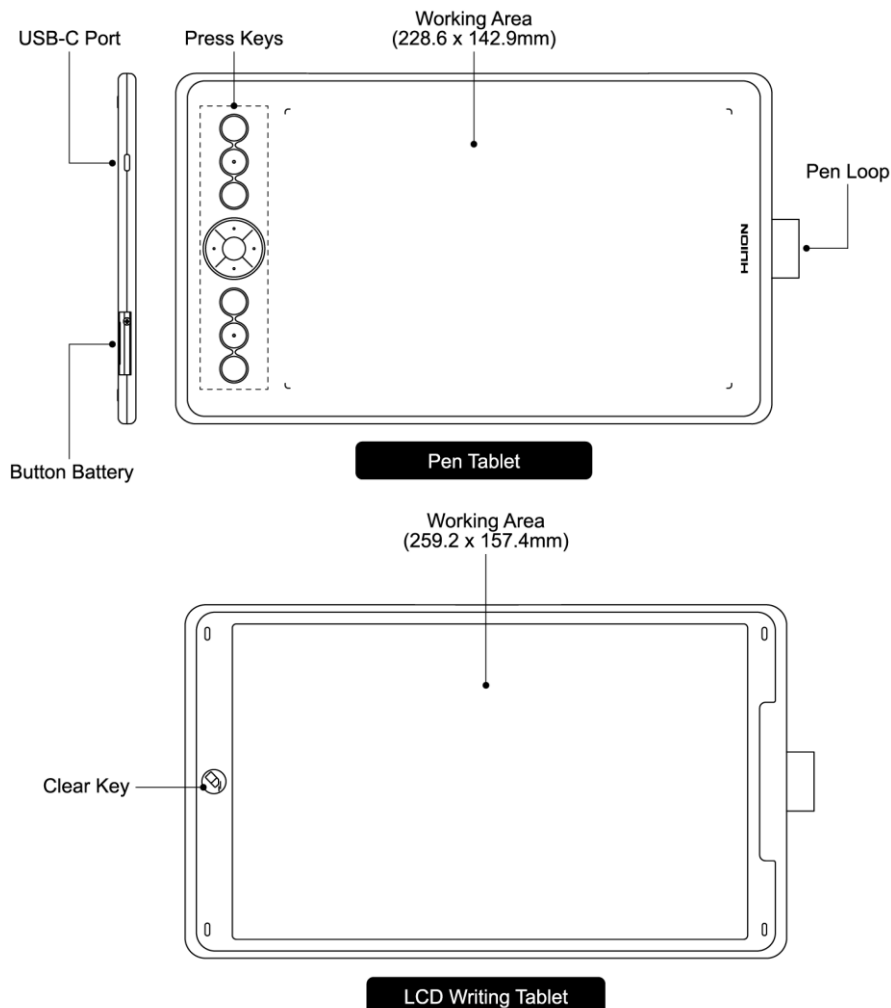
1.1 Tablet Introduction

Thanks for choosing HUION® INSPIROY® H320M creative pen tablet. This is a new generation of professional battery-free drawing tablet, which can greatly improve your work efficiency of painting and creation, and full of fun. You can freely painting and writing, depicting different lines and colors, just as the pen writes on the paper, which brings you a real shock experience.

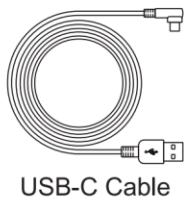
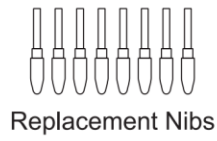
To give you a better understanding and using of your tablet, please read this user manual carefully. The user manual only shows the information under Windows, unless otherwise specified, this information applies to both Windows and Macintosh systems.

1.2 Product and Accessories

1.2.1 Graphics Tablet

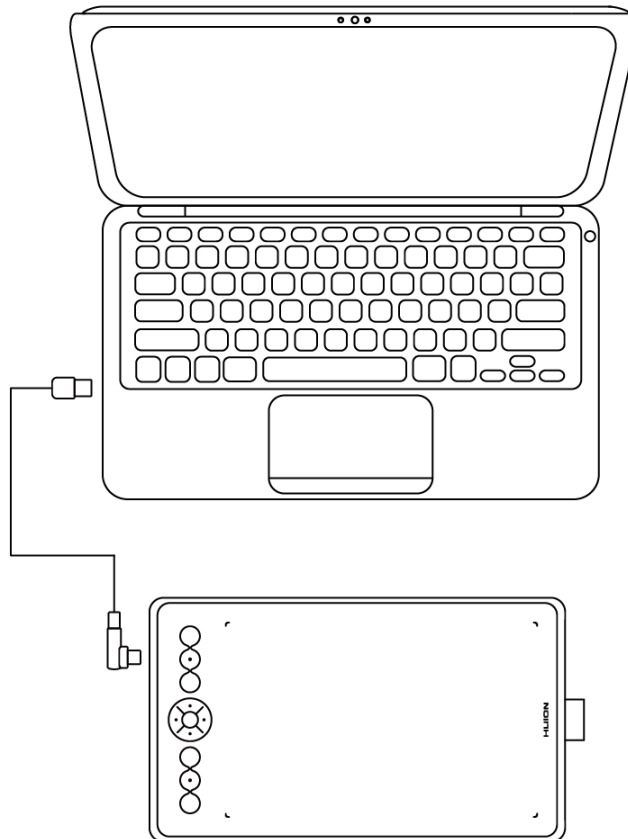


1.2.2 Packing List



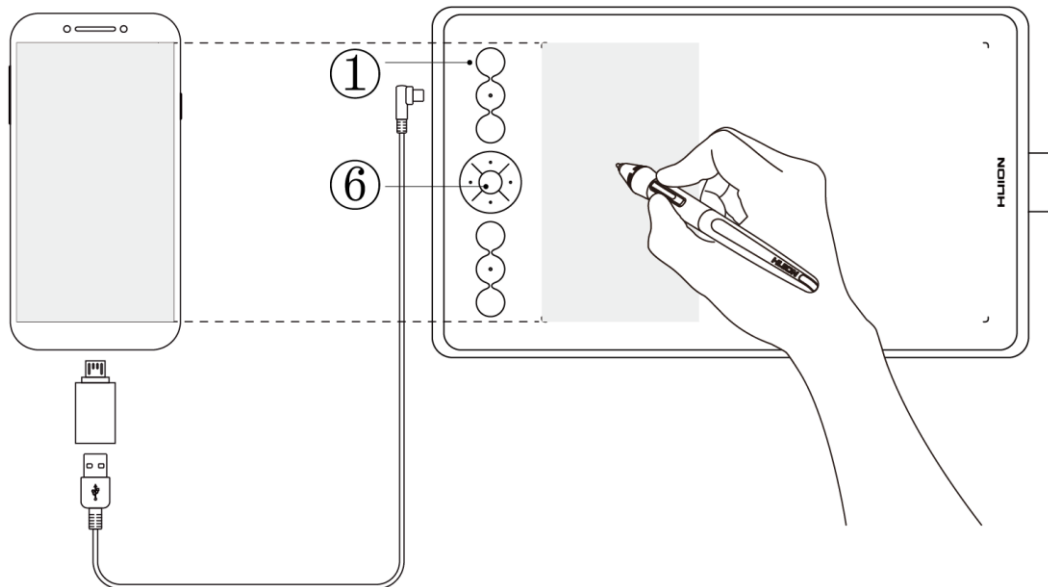
1.3 Connecting to Computer

1. Connect the tablet to your computer with USB cable.



1.4 Connecting to Android Phone

1. Please make sure your phone & pad OS is as following: Android OS 6.0 or later
2. For some models, you need to go phone or pad "Settings" then enable "OTG" function.
3. Choose the right OTG Adapter from package, which depends on USB port type of your phone, then connect pen tablet to your phone following the illustrations below:



Notes:

1. The pen tablet can work without installing any driver into your phone.
2. Once connected, the tablet will automatically enter phone mode, in which the pen can only work in the left gray area (142.9 x 89.3mm).
3. If not recognized the tablet to phone mode, please press the button ① and ⑥ for 3 seconds to enter phone mode.
4. Please note that the press keys of pen tablet and digital pen are not supported in phone mode.



1.4 Driver Installation

1.4.1 OS Support

Windows 7 or later, macOS 10.12 or later

1.4.2 Install Driver

Please download the driver from our website: www.huion.com/download

After finishing installation, you can find the driver icon  in the system tray area, which means the driver was installed successfully; when you connect the tablet to computer, the icon will change to color , which means the driver has already recognized the tablet and you can start using it now.

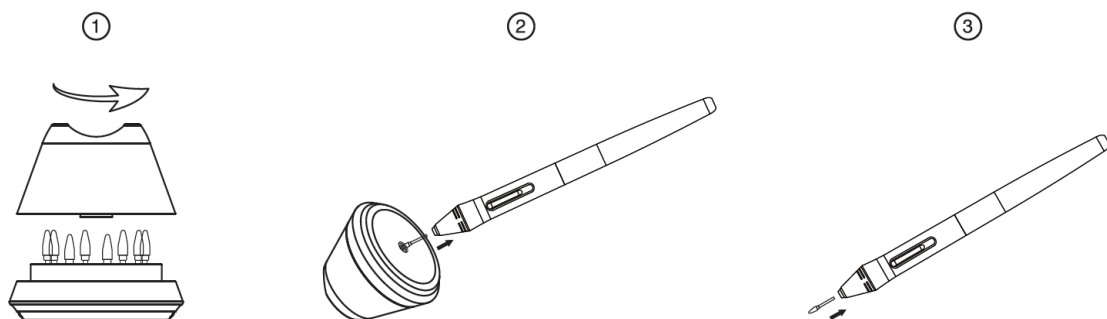
Notice:

1. Before installing, you need to uninstall other driver of similar products, including the old driver of this product.
2. Before installing, please close all graphics software and anti-virus software to avoid unnecessary mistake.

1.5 Pen Nib Replacement

The nib will be wear off after using for a long time, then you need to replace a new nib.

1. Anticlockwise rotate the pen holder to open the cover, take a new nib out.
2. Insert the pen nib into the hole on the bottom of the holder and tilt the pen to pull out the old nib.
3. Insert the new nib straight into the the pen and push the nib slowly and firmly until it stops.



2. Product Basic Operation

2.1 Using The Pen

2.1.1 Hold the pen

Hold the pen as you hold a normal pen or pencil. Adjust your grip so that you can toggle the side switch easily with your thumb or forefinger. Be careful not to accidentally press the switch while drawing or positioning with the pen.

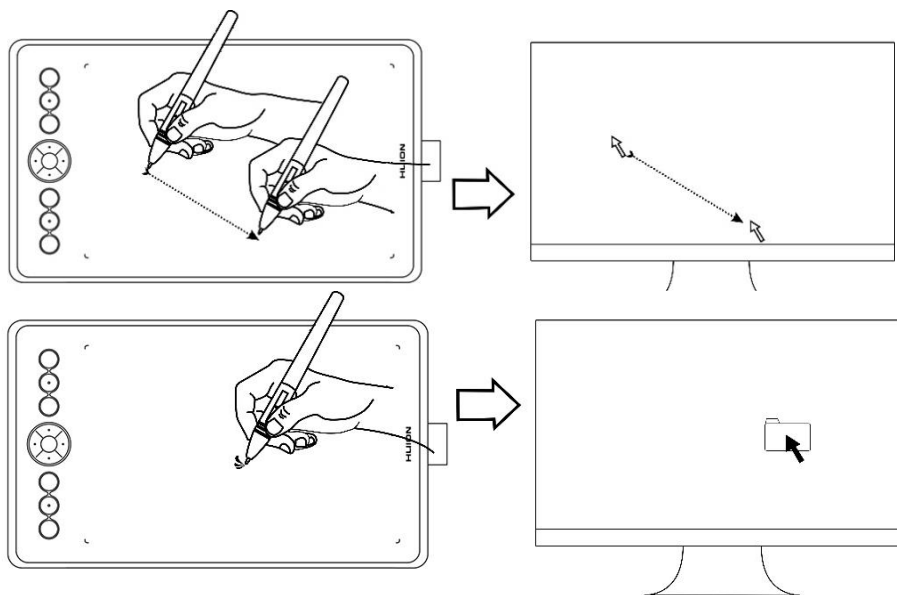


Notice: When not in use, place the pen in the pen case or on the desk. Do not place the pen on the surface of screen, which may interfere with the use of other screen cursor positioning equipment, may also cause your computer can not enter the sleep mode.

2.1.2 Position the cursor

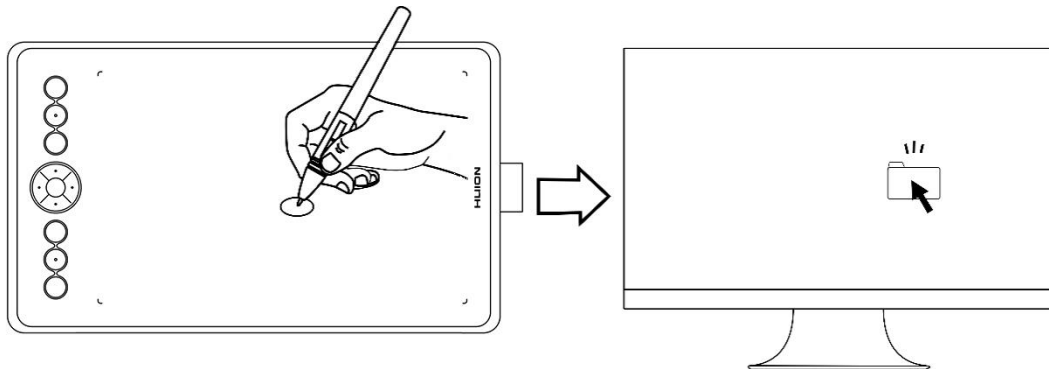
Move the pen slightly above the active area without touching the screen surface, the cursor will move to the new position accordingly.

Press the pen tip on the screen to make a selection. Tap the screen once with the pen tip, or touch it to the screen with enough pressure to register a click.



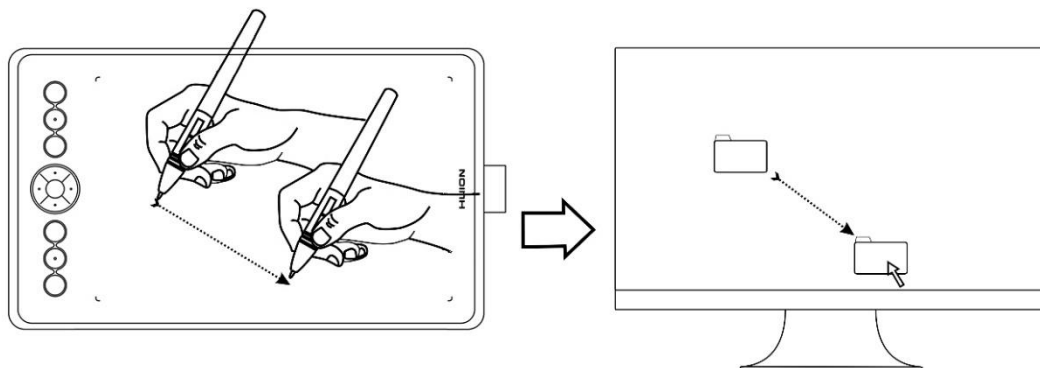
2.1.3 Click

Use the pen tip to tap once on the screen to register a click. Tap to highlight or select an item on the screen and double-click to open it.



2.1.4 Move

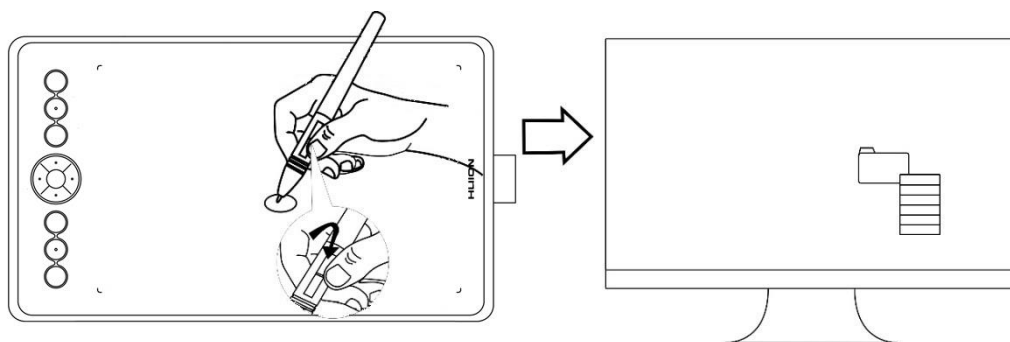
Select the object, then slide the pen tip across the screen to move it.



2.1.5 Use the side buttons

The buttons on the pen can be set to two different customizable functions. You can use the buttons whenever the pen tip is within 10mm of the tablet active area.

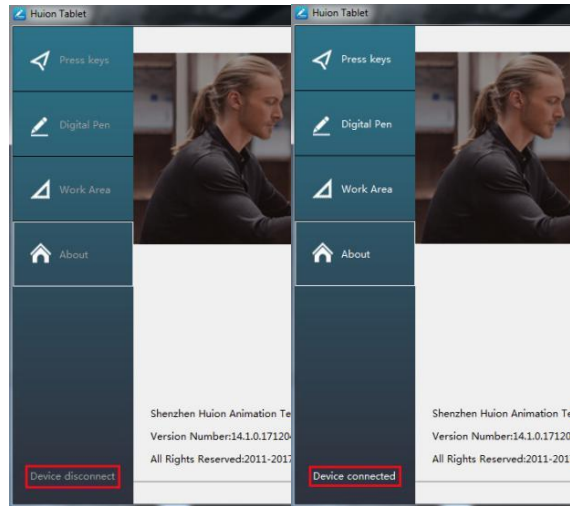
You do not have to touch the pen to the tablet in order to use the switch.



3. Driver Setting

3.1 Device Connection Prompt

1. Device disconnected: The computer does not recognize the tablet.
2. Device connected: The computer has recognized the tablet.



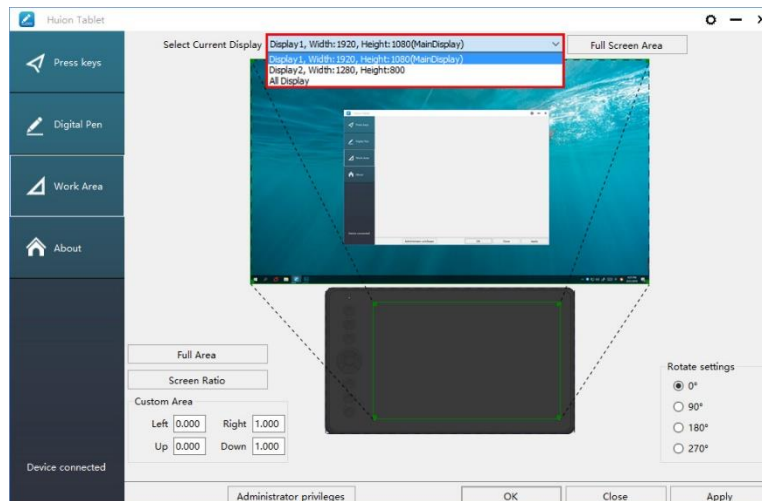
3.2 Working Area Setting

3.2.1 Using Multiple Monitors

Select the Working Area tab to define the relationship between pen movement on the tablet and cursor movement on the monitor screen.

By default the entire active area of tablet maps to the entire monitor. If more than one monitor is in use and you are in extended mode, you need to choose the related monitor on the driver interface which you are going to map to.

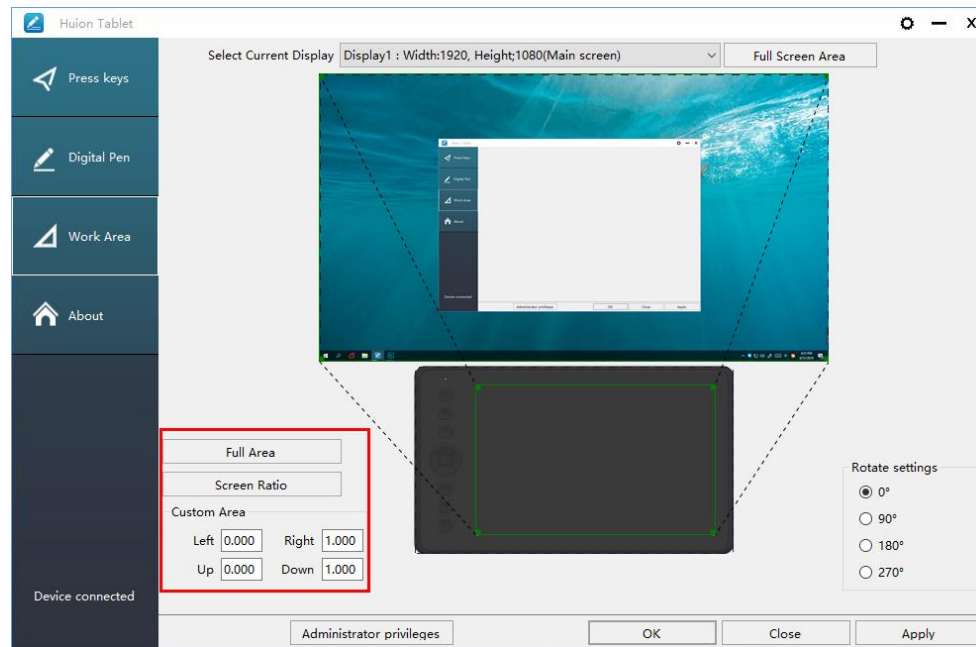
If your monitors are in mirror mode (All monitors display the same content), the tablet maps to the entire space on each monitor and the screen cursor is displayed on each monitor simultaneously.



3.2.2 Working Area Setting

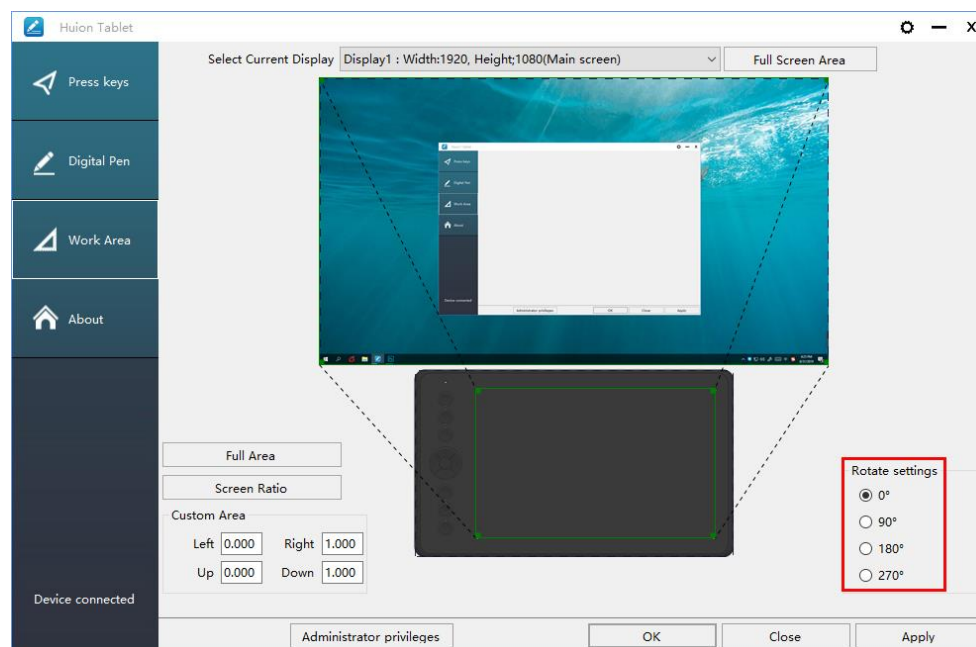
Define the tablet area that will be mapped to the screen area.

1. Full Area: the entire active area of the tablet. This is the default setting.
2. Customized Area: 1.> Enter coordinate values. or2>. Drag the corners of the foreground graphic to select the screen area.



3.2.3 Rotate Working Area

By changing the direction of the tablet to adapt to the left and right hand operation. You can rotate the tablet by 0°, 90°, 180° or 270°.

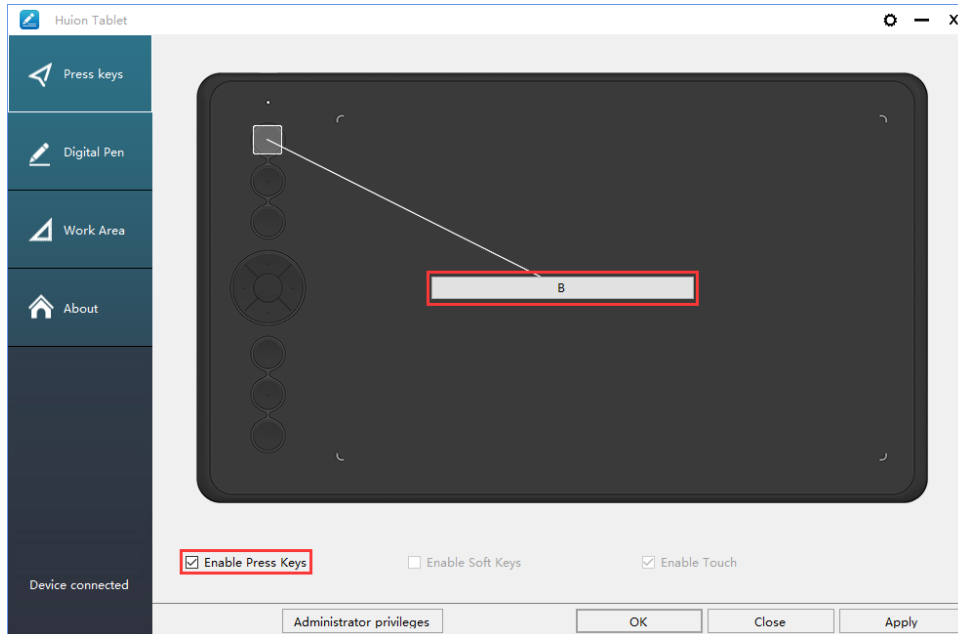


3.3 Press Keys Function Setting

Default Setting: Place the cursor on the press key or click the press key to find the default values.

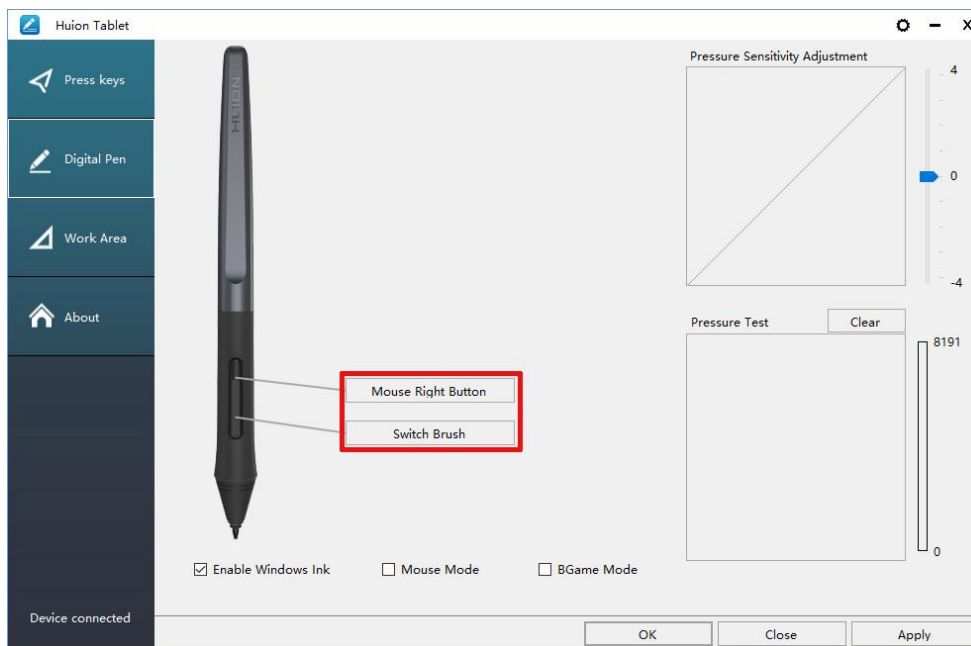
Customized Setting: Select the function to be achieved on the pop-up dialog box, then click APPLY or OK to take effect.

Enable/Disable Press Keys: Check/Uncheck " Enable Press Keys"



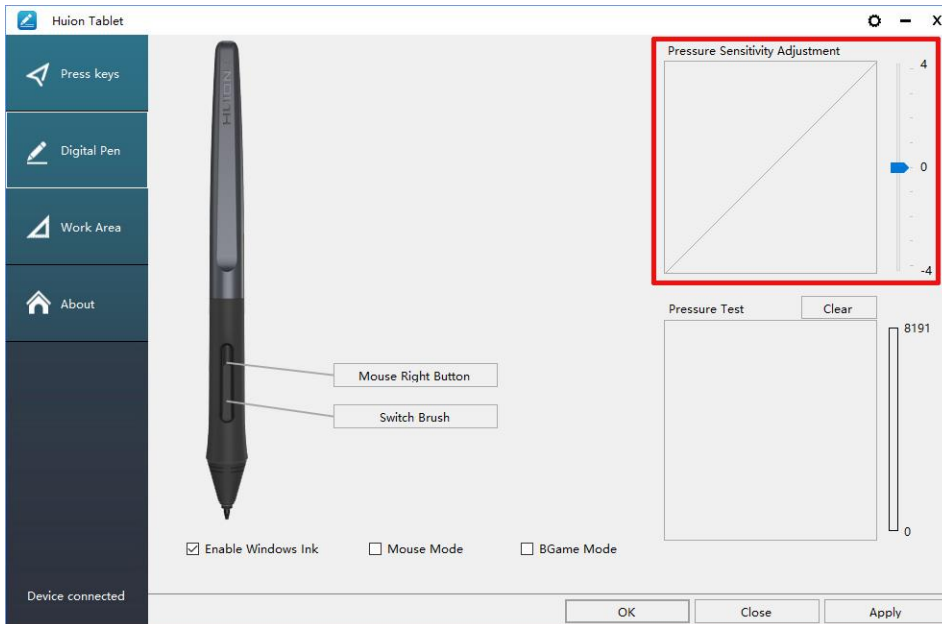
3.4 Pen Buttons Function Setting

Select the function to be achieved on the pop-up dialog box, then click APPLY or OK to take effect.



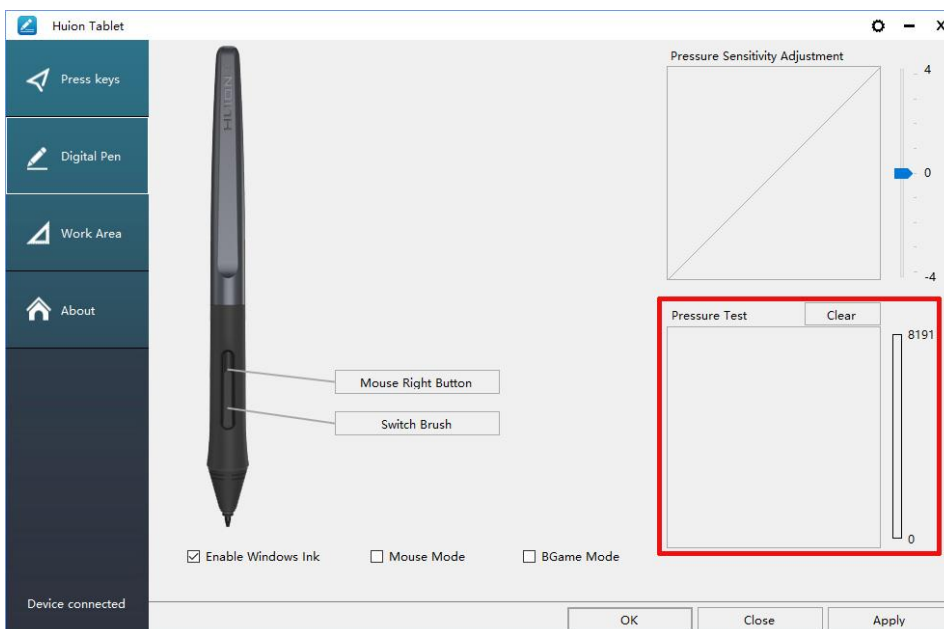
3.5 Pressure Sensitivity Setting

The pressure sensitivity will be changed by dragging the slider up and down, the smaller the value, the more pressure sensitive.



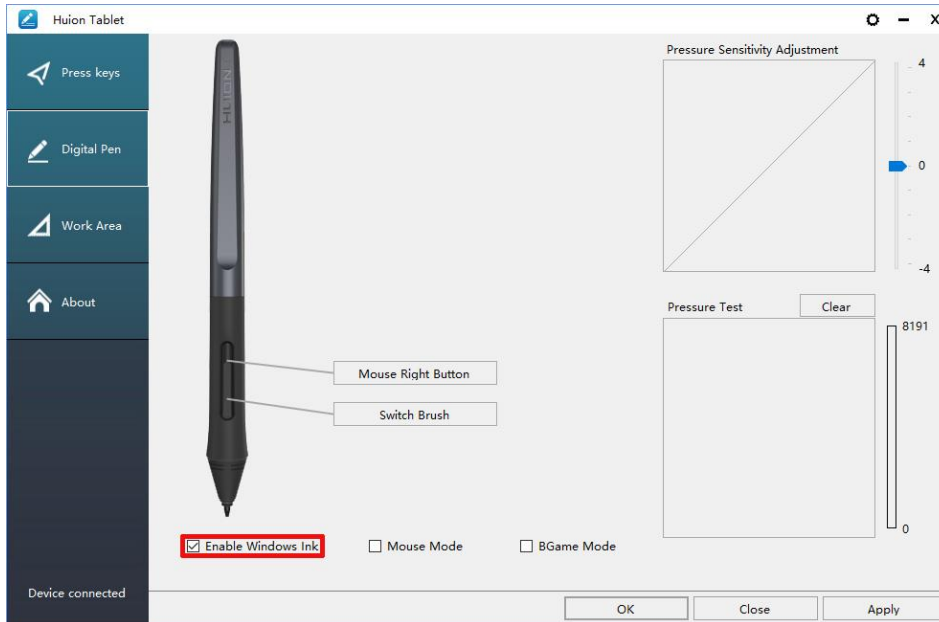
3.6 Pen Pressure Testing

Click “start pressure test” , you can gradually apply pressure to the stylus on the screen to test the pressure level. Click “Clear” button to clear all the ink.



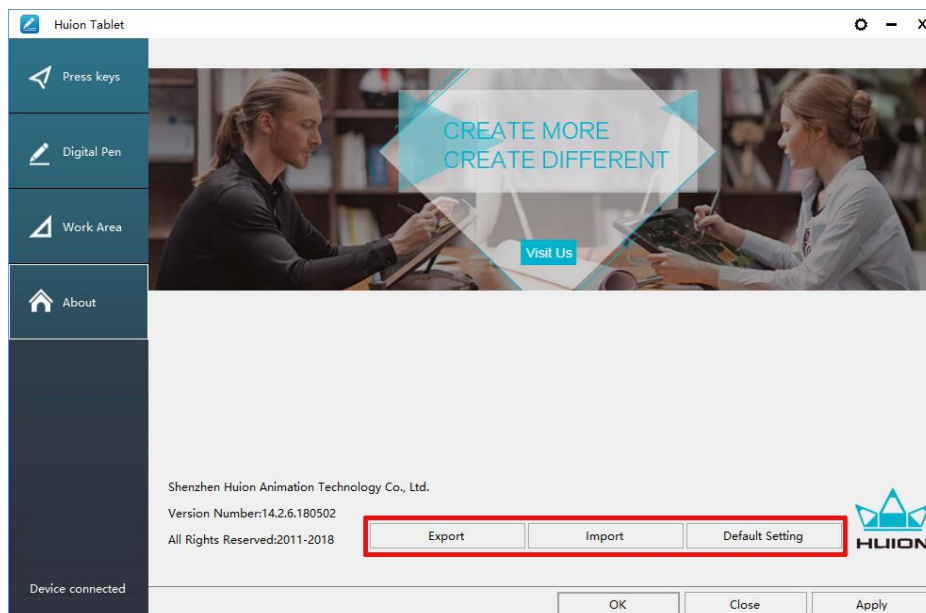
3.7 Enable the Windows Ink feature

Microsoft Windows provides extensive support for pen input. Pen features are supported in such as Microsoft Office, Windows Journal, Adobe Photoshop CC, SketchBook 6 and so on.



3.8 Data Export and Import

The driver supports exporting and importing your custom configuration data of the product, which is convenient for you to use different software and avoid the trouble of repeated settings.



4. Specifications

Creative Tablet	
Model	H320M
Touch Technology	Battery-free Electromagnetic Resonance
Working Area	Pen Tablet: 228.6 x 142.9mm (9 x 5.625inch) Writing Tablet: 259.2 x 157.4mm (10.2 x 6.2inch)
Working Area(Phone Mode)	142.9 x 89.3mm
Dimension	305.4 x 179.6 x 9mm
Net Weight	450g
Touch Resolution	5080LPI
Report Rate	266PPS
Pen Sensing Height	10mm
Interface	USB-C
Press Keys	11 Programmable Press Keys
Tilt Range	±60°
OS Support	Windows 7 or later, macOS 10.12 or later
Digital Pen	
Model	PW100
Dimension	163 x Φ14.5 mm
Weight	13 g
Pressure	8192 Levels
Accuracy	±0.3mm

5. Trouble Shooting

5.1 Possible Breakdowns Related to TABLET

Abnormal Phenomena	Possible Solutions
There is no pressure in the graphics software but the cursor moves	You may have installed other tablet drivers or opened the drawing software when installing the driver. Please uninstall all drivers and close the drawing software, then reinstall the Huion driver. It's better to restart your computer after finishing the installation.
The pen does not work	<ol style="list-style-type: none"> 1. Make sure you are using the pen that originally came with your tablet. 2. Make sure you installed the driver correctly.
Press Keys does not work	<ol style="list-style-type: none"> 1. Make sure the Press Keys function were enabled in the driver. 2. Make sure you have correctly defined the Press Keys. 3. Check if the press lock switch is on the unlock position.
The computer can't enter sleep mode	When you are not using the tablet, please do not put the pen on the tablet surface, which will keep the computer awake.
The side button of the pen doesn't work	When pressing the side button, please make sure that the nib didn't touch the tablet surface and the distance between the nib and surface is within 10mm.

5.2 Possible Breakdowns Related to SYSTEM

Abnormal Phenomena	Possible Solutions
The computer can't recognize the tablet or the wireless receiver	Make sure the USB port is functional, if not, please change to another USB port.

6. After-service Contact

SHENZHEN HUION ANIMATION TECHNOLOGY CO.,LTD.

Building 28, Quarter 4, HuaiDeCuiGang Industrial Park, Fuyong Street, Bao'an District, Shenzhen, 518106, China

Note: Information in this manual is subject to change without further notice.

For more information, please contact us with our email: service@huion.com

Or go to our website (www.huion.com) to get the latest driver and user manual.