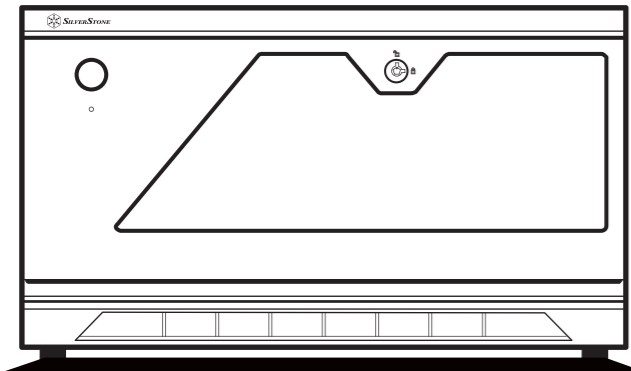


Case Storage Series

CS381

8-bay hot-swappable high performance NAS chassis



Specifications

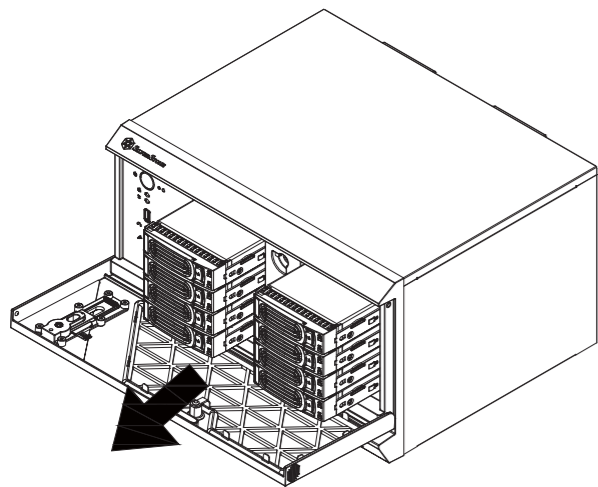
Model No.	SST-CS381B
Material	Plastic and metal mesh front panel, galvanized steel body
Motherboard	Micro-ATX, Mini-DTX, Mini-ITX
Host interface	Mini-SAS SFF-8643 36 pin connector x 2**
Transfer rate	Up to 6 Gbit/s (depends on drive speed)
Drive bay	3.5" / 2.5" SAS / SATA external hot-swapping x 8 2.5" (5mm ~ 15mm) x 4 (2 on left racks)
Cooling System	Rear 2 x 120mm 1300rpm 28dBA dual ball bearing fan Life time 70000hr (L10) Left 2 x 120mm or 3 x 80mm fan slot (optional)
Radiator Support	Rear 1 x 120mm or 1 x 240mm
Expansion Slot	4
Front I/O Port	USB-A 3.1 Gen 1 x 2, Audio x 1, MIC x 1
LED Indicator	Chassis Power ON: Blue Accessing: Red blinking HDD Tray HDD Power LED : Red HDD Access : Blue blinking
Power Supply	SFX / SFX-L PSU (sold separately)
Expansion Card	Up to 10.5" (266.7mm), please refer to limitation
Limitation of CPU cooler	59mm***
Limitation of PSU depth	200mm
Dimension	400mm (W) x 225mm (H) x 232mm (D)
Net Weight	7 KG
Other	Kensington lock

* Please note the directionality of MINI SAS cables used, cables such as CPS05-RE is recommended for use with SATA ports on motherboard.
** MINI SAS HD ports on backplane are not compatible with U.2 ports on motherboards.
*** If CPU cooler used has top-down airflow direction, then the maximum recommended height limit is 49mm, this is to account for at least 10mm of clearance above the CPU fan for sufficient air intake.

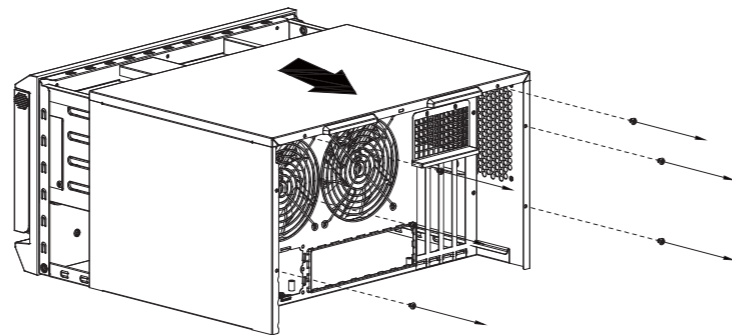
www.silverstonetek.com

Installation

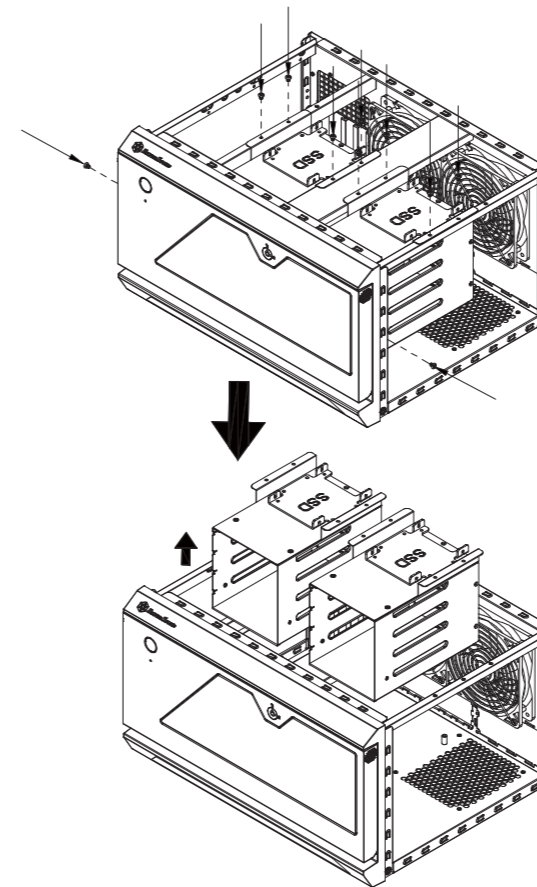
Step 1
Open front door, take all hot-swappable drive trays out



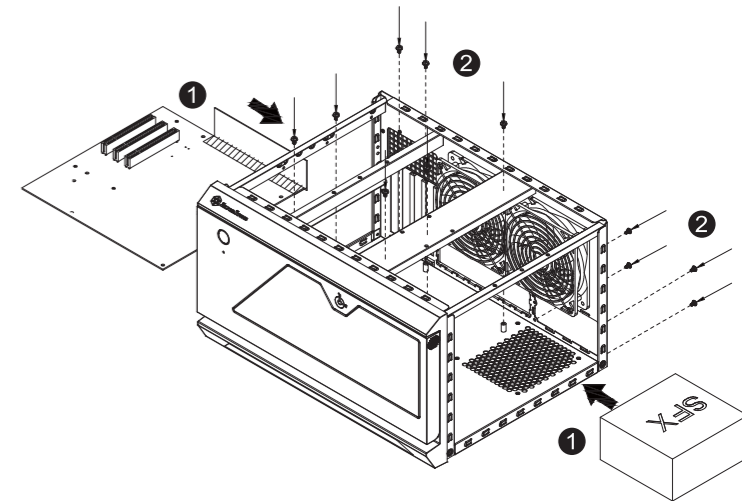
Step 2
Remove screws from top cover and side panels to remove them



Step 3
Remove screws on hot-swappable drive cages, then pull them upward to remove them from the chassis



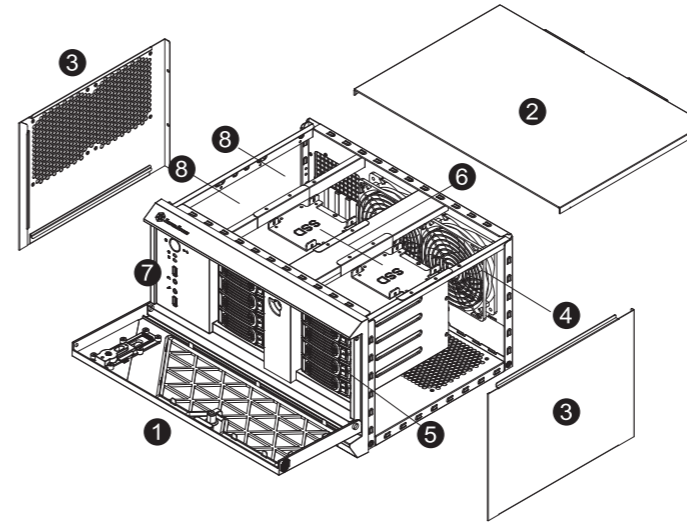
Step 4
Install SFX power supply and motherboard



Step 5
Connect all required cables for the motherboard

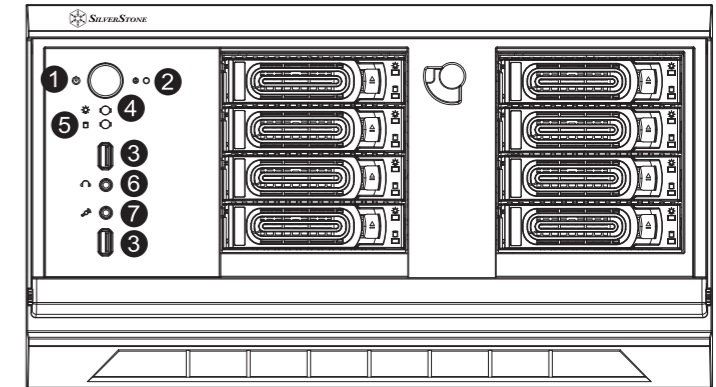
*CS381 includes a PCIe 8pin to dual PCIe 6pin adapter cable for use with the included hot-swappable backplane, which has circuitry to convert +12V power down to +5V for powering hot-swappable drives and requires two PCIe 6pin connectors. This is designed to mitigate the need for choosing power supplies with large +5V capacity in order to support potentially high amount of drives that the CS381 can support.
*Please remove Mini SAS HD dust proof cover

- 1 Front door
 - 2 Top cover
 - 3 Side panels
 - 4 120mm fans
 - 5 3.5" / 2.5" hot-swappable trays
 - 6 2.5" drive cage
 - 7 Front panel I/O and indicators
 - 8 Left brace mounting holes
- for 2.5" drive x 2 or 120mm fan x 2 or 80mm fan x 3



Front panel IO and indicators

- 1 Power on switch
- 2 System reset switch
- 3 USB-A 3.1 Gen 1
- 4 Power on LED
- 5 HDD activity LED
- 6 Audio
- 7 Mic

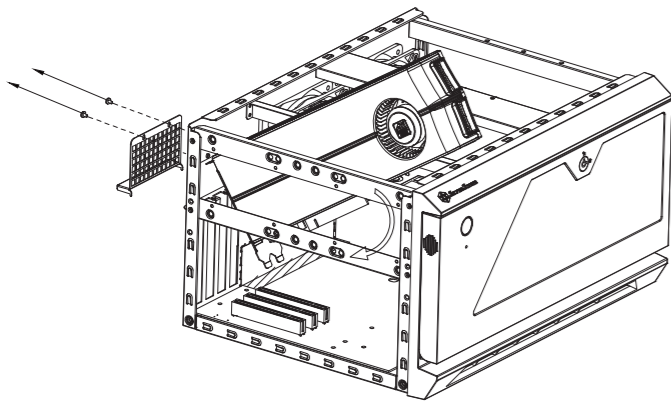


Accessories Content

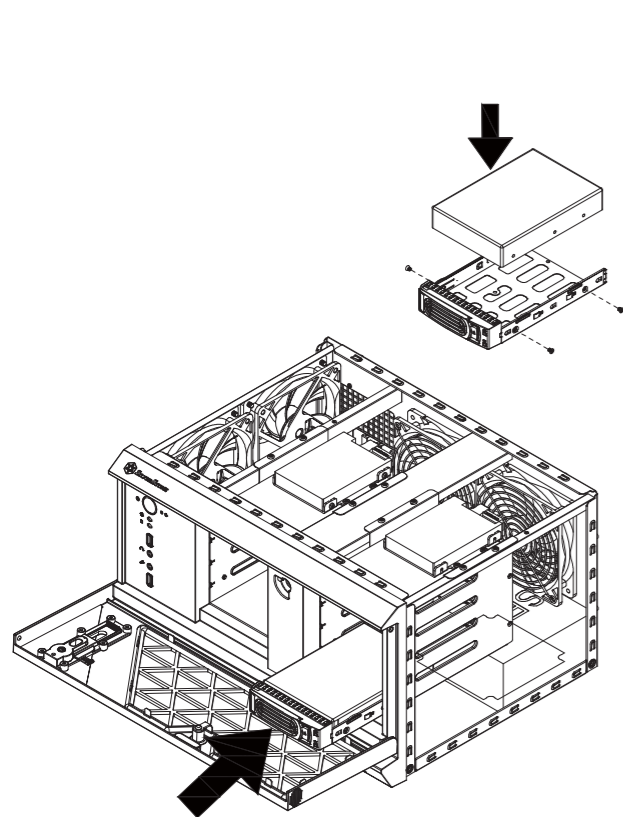
- 1 PCIe 8Pin To 6Pin x2 cable
- 2 #632 Screw
- 3 M3 Screw
- 4 Ø5x10mm Fan Screw
- 5 Foot Pad
- 6 Fan Filter
- 7 Manual
- 8 Key

Step 6
Install graphics cards or expansion cards. If your card exceeds 9.6", we recommend installing from above the chassis at an angle.

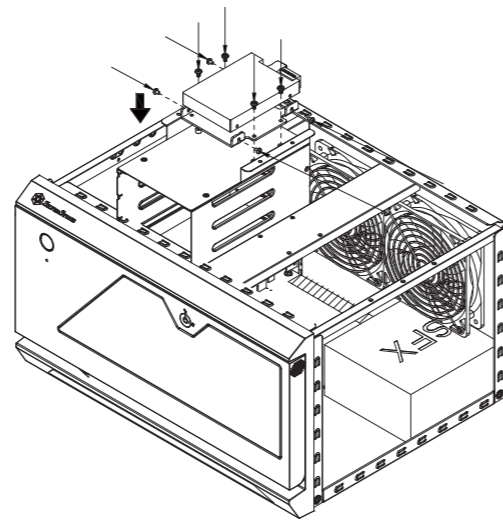
- **Expansion card length and width limit and left brace support for components:
- Nothing installed on left brace – All expansion slots can support up to 10.5" (266.7mm) long and 4.4" (111mm) wide cards or 9.6" (244mm) long and 7.9" (200mm) wide cards.
 - 120mm fans installed on left brace – Expansion slot 3 & 4 can only support up to 3" (77mm) wide cards. (Low profile card recommended)
 - 80mm fans installed on left brace – Expansion slots 3 & 4 can only support up to 4" (102mm) wide cards. (Low profile card recommended)
 - 2.5" drives installed on left brace – Expansion slot 4 can only support up to 4.4" (112mm) wide cards. (Low profile card recommended)



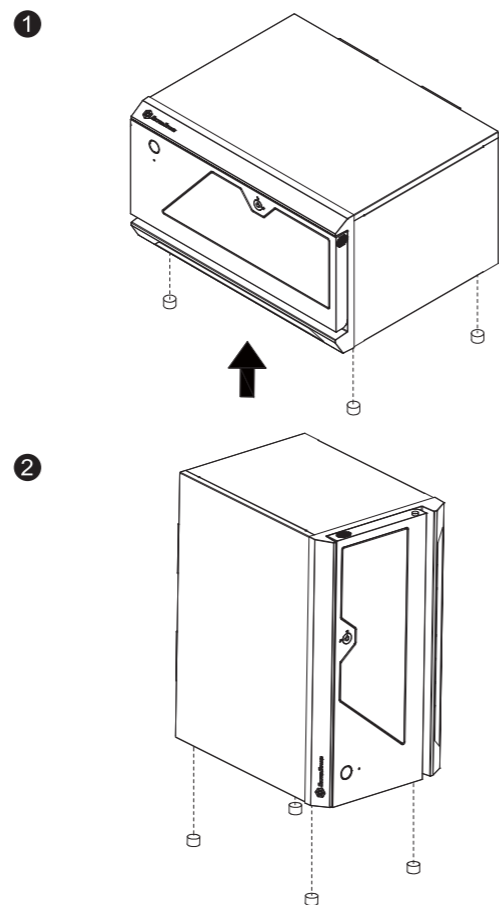
Step 11
Install 2.5" / 3.5" drives into hot-swappable trays, secure with screws and reinsert the assembled drive tray back into the chassis.



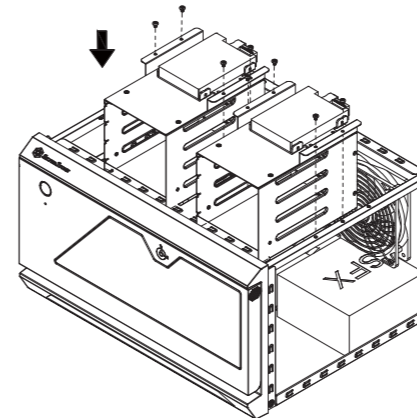
Step 7
Remove 2.5" drive trays, install drives into them and secure with screws. Then reinstall the assembled 2.5" drive trays back onto the hot-swappable drive cages.



Step 12
Finish the installation by sticking the included feet onto the bottom of the case or left side (with intake vents) of the case as required.

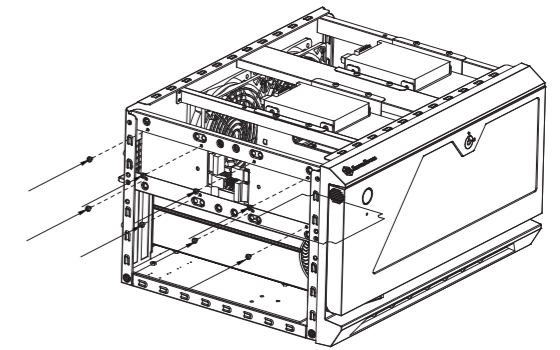


Step 8
Place hot-swappable drive cages on top of the case first, connect all cables to the backplane, including data cable, power cable, and system fan cables.

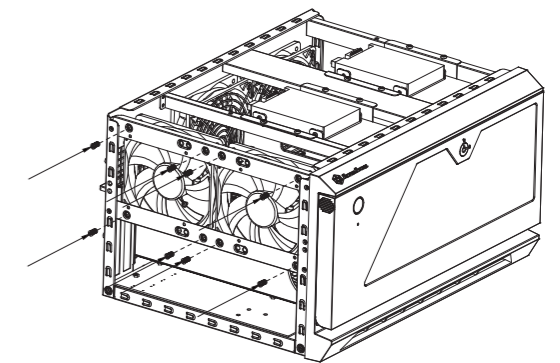


Step 9
Please carefully install the hot-swappable drive cages back into chassis and be mindful of all the connected cables.

Step 10
(1) Install 2.5" drive, then secure with screws



(2) If you need to install 80mm or 120mm fans, please move the lower brace into proper position to install them. Then reinstall side panel back onto the chassis.



Warranty Information

This product has a limited 1 year warranty in North America and Australia. For information on warranty periods in other regions, please contact your reseller or SilverStone authorized distributor. 本产品自购买之日起，于中国地区（不包含澳门，香港特别行政区）享有一年有限质保（部分产品为二年，三年或五年）。详细保固年限请参考官方网站 <https://silverstonetek.com.cn/> 公布之产品型号为依据。

Warranty terms & conditions

- Product component defects or damages resulted from defective production is covered under warranty. Defects or damages with the following conditions will be fixed or replaced under SilverStone Technology's jurisdiction.
 - Usage in accordance with instructions provided in this manual, with no misuse, overuse, or other inappropriate actions.
 - Damage not caused by natural disaster (thunder, fire, earthquake, flood, salt, wind, insect, animals, etc...)
 - Product is not disassembled, modified, or fixed. Components not disassembled or replaced.
 - Warranty mark/stickers are not removed or broken.
 Loss or damages resulted from conditions other than ones listed above are not covered under warranty.
- Under warranty, SilverStone Technology's maximum liability is limited to the current market value for the product (depreciated value, excluding shipping, handling, and other fees). SilverStone Technology is not responsible for other damages or loss associated with the use of product.
- Under warranty, SilverStone Technology is obligated to repair or replace its defective products. Under no circumstances will SilverStone Technology be liable for damages in connection with the sale, purchase, or use including but not limited to loss of data, loss of business, loss of profits, loss of use of the product or incidental or consequential damage whether or not foreseeable and whether or not based on breach of warranty, contract or negligence, even if SilverStone Technology has been advised of the possibility of such damages.
- Warranty covers only the original purchaser through authorized SilverStone distributors and resellers and is not transferable to a second hand purchaser.
- You must provide sales receipt or invoice with clear indication of purchase date to determine warranty eligibility.
- If a problem develops during the warranty period, please contact your retailer/reseller/SilverStone authorized distributors or SilverStone <http://www.silverstonetek.com>. Please note that:
 - You must provide proof of original purchase of the product by a dated itemized receipt
 - You shall bear the cost of shipping (or otherwise transporting) the product to SilverStone authorized distributors. SilverStone authorized distributors will bear the cost of shipping (or otherwise transporting) the product back to you after completing the warranty service
 - Before you send the product, you must be issued a Return Merchandise Authorization ("RMA") number from SilverStone. Updated warranty information will be posted on SilverStone's official website. Please visit <http://www.silverstonetek.com> for the latest updates.

Additional info & contacts

For North America (usasupport@silverstonetek.com)
SilverStone Technology in North America may repair or replace defective product with refurbished product that is not new but has been functionally tested.
Replacement product will be warranted for remainder of the warranty period or thirty days, whichever is longer. All products should be sent back to the place of purchase if it is within 30 days of purchase, after 30 days, customers need to initiate RMA procedure with SilverStone Technology in USA by first downloading the "USA RMA form for end-users" form from the below link and follow its instructions.
<http://silverstonetek.com/contactus.php>

For Australia only (support@silverstonetek.com)
Our goods come with guarantees that cannot be excluded under the Australian Consumer Law. You are entitled to a replacement or refund for a major failure and for compensation for any other reasonably foreseeable loss or damage.
You are also entitled to have the goods repaired or replaced if the goods fail to be of acceptable quality and the failure does not amount to a major failure.
Please refer to above "Warranty terms & conditions" for further warranty details.

SilverStone Technology Co., Ltd. 12F No. 168 Jiankang Rd., Zhonghe Dist., New Taipei City 235
Taiwan R.O.C. + 886-2-8228-1238
(standard international call charges apply)

For Europe (support.eu@silverstonetek.de)
For China (support@silverstonetek.com.cn)
For all other regions (support@silverstonetek.com)

计算机机壳	有毒有害物质/元素及其化学含量表					
	铅 (Pb)	汞 (Hg)	镉 (Cd)	六价铬 (Cr(VI))	多溴联苯 (PBB)	多溴二苯醚 (PBDE)
印刷电路板组件	○	○	○	○	○	○
线缆/连接器	○	○	○	○	○	○
金属结构件	○	○	○	○	○	○
塑料结构件	○	○	○	○	○	○
风扇	-	○	○	○	○	○
其它	○	○	○	○	○	○
包装材料	○	○	○	○	○	○
辅助材	○	○	○	○	○	○

本表格依据 SJ/T 11364 的规定编制。
○：表示该有害物质在该部件所有均质材料中的含量均在 GB/T 26572 规定的限量要求以下。
—：表示该有害物质至少在该部件的某一均质材料中的含量超出 GB/T 26572 规定的限量要求。且该限用物质为排除项目



Please refer to SilverStone website for latest specifications updates.

G11236310