

Quick Start

Thank you for purchasing the MSI® **PRESTIGE X570 CREATION** motherboard. This Quick Start section provides demonstration diagrams about how to install your computer. Some of the installations also provide video demonstrations. Please link to the URL to watch it with the web browser on your phone or tablet. You may have even link to the URL by scanning the QR code.

Kurzanleitung

Danke, dass Sie das MSI® **PRESTIGE X570 CREATION** Motherboard gewählt haben. Dieser Abschnitt der Kurzanleitung bietet eine Demo zur Installation Ihres Computers. Manche Installationen bieten auch die Videodemonstrationen. Klicken Sie auf die URL, um diese Videoanleitung mit Ihrem Browser auf Ihrem Handy oder Table anzusehen. Oder scannen Sie auch den QR Code mit Ihrem Handy, um die URL zu öffnen.

Présentation rapide

Merci d' avoir choisi la carte mère MSI® **PRESTIGE X570 CREATION**. Ce manuel fournit une rapide présentation avec des illustrations explicatives qui vous aideront à assembler votre ordinateur. Des tutoriels vidéo sont disponibles pour certaines étapes. Cliquez sur le lien fourni pour regarder la vidéo sur votre téléphone ou votre tablette. Vous pouvez également accéder au lien en scannant le QR code qui lui est associé.

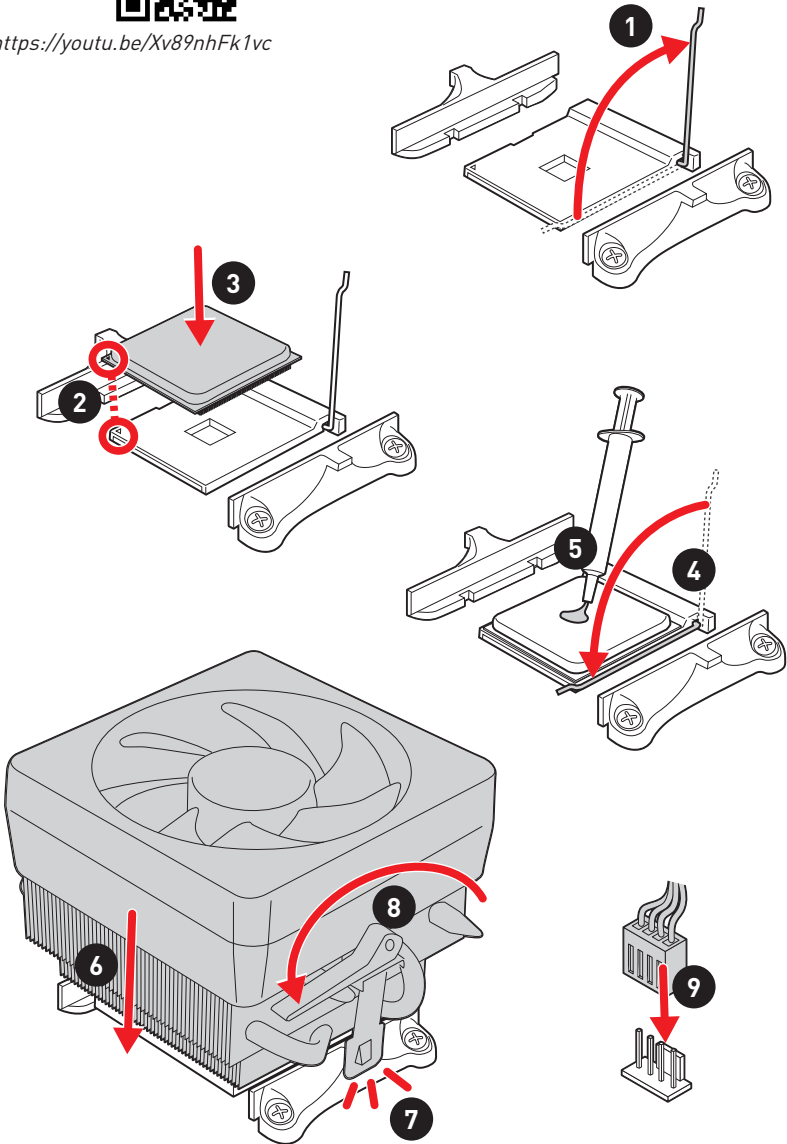
Быстрый старт

Благодарим вас за покупку материнской платы MSI® **PRESTIGE X570 CREATION**. В этом разделе представлена информация, которая поможет вам при сборке компьютера. Для некоторых этапов сборки имеются видеопроинструкции. Для просмотра видео, необходимо открыть соответствующую ссылку в веб-браузере на вашем телефоне или планшете. Вы также можете выполнить переход по ссылке, путем сканирования QR-кода.

Installing a Processor/ Installation des Prozessors/ Installer un processeur/ Установка процессора



<https://youtu.be/Xv89nhFk1vc>



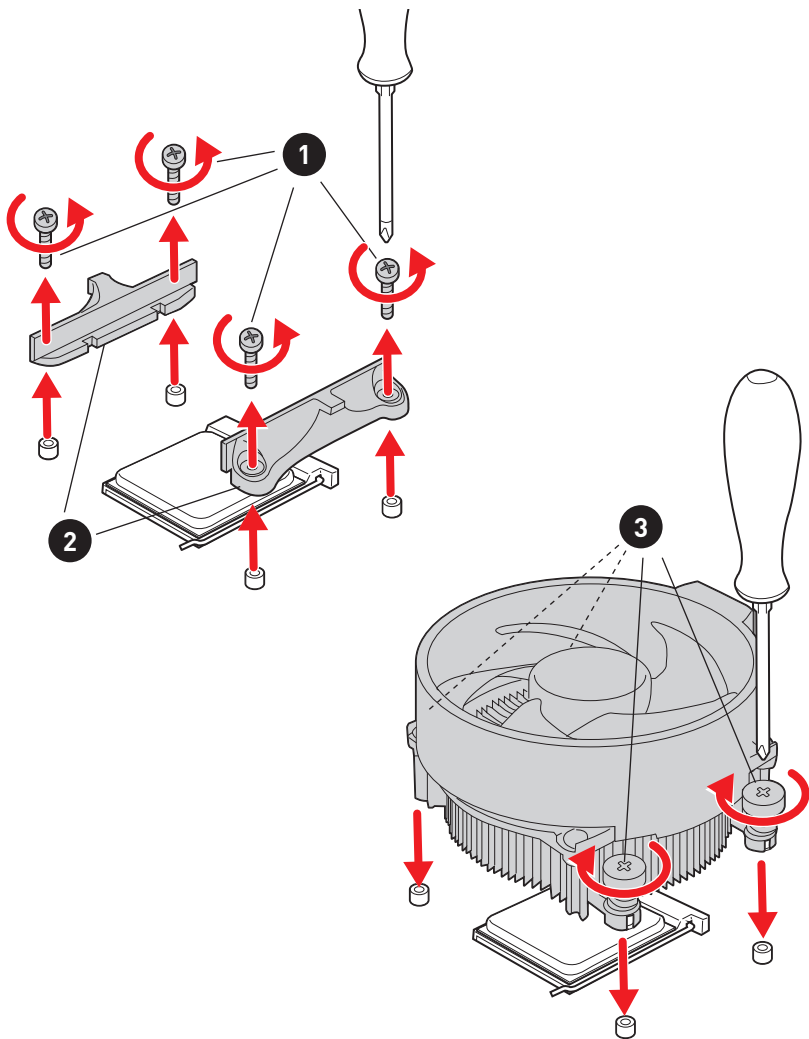


If you are installing the screw-type CPU heatsink, please follow the figure below to remove the retention module first and then install the heatsink.

Wenn Sie einen CPU-Kühler mit Schraubenbefestigung einsetzen, folgen Sie bitte den Anweisungen unten um das Retention-Modul zu entfernen und den Kühler zu installieren.

Si vous voulez installer un ventilad pour processeur à vis, veuillez suivre les instructions ci-dessous pour d'abord retirer le module de rétention puis installer le ventilad.

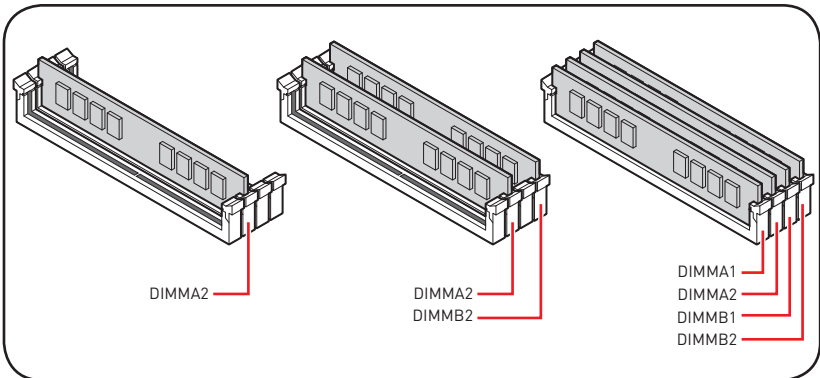
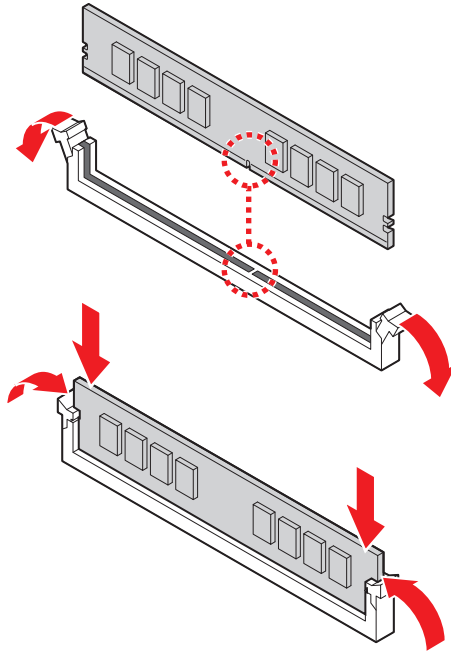
В случае установки процессорного кулера с системой крепления на винтах, следуйте указаниям на рисунке ниже для снятия пластикового модуля крепления. Затем установите кулер.



Installing DDR4 memory/ Installation des DDR4-Speichers/ Installer une mémoire DDR4/ Установка памяти DDR4



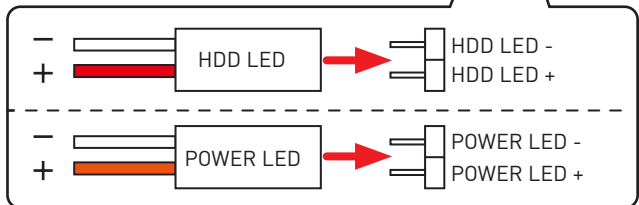
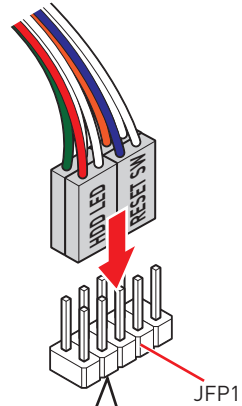
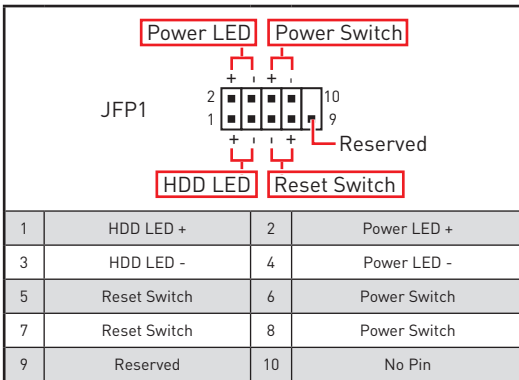
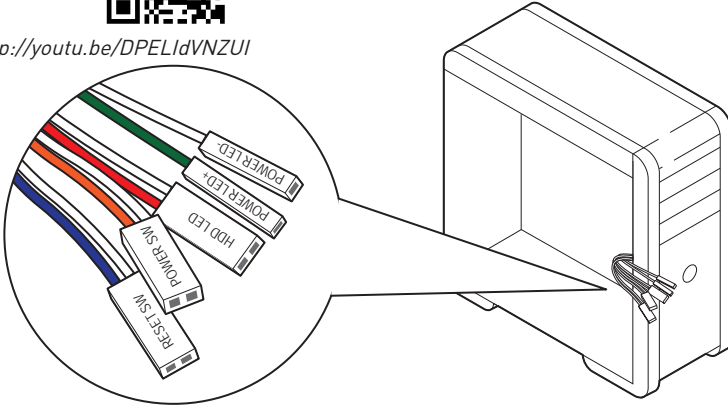
<http://youtu.be/T03aDrJPYqs>



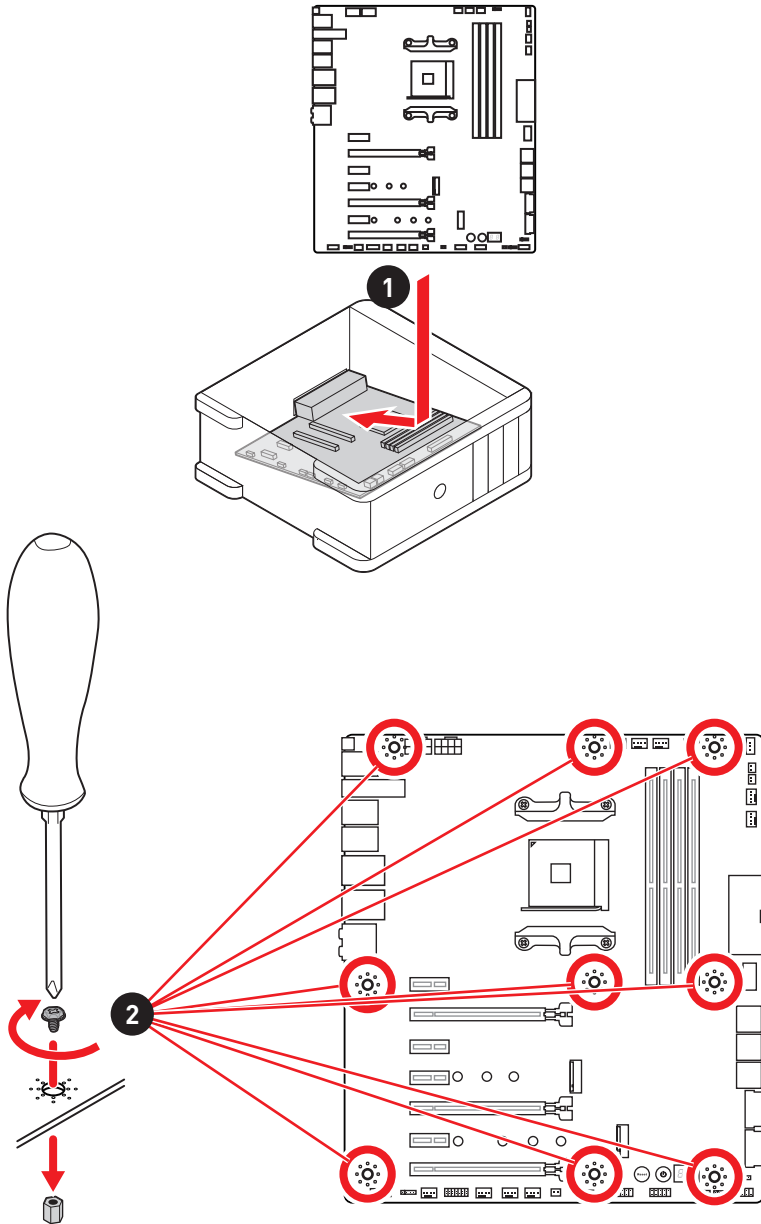
Connecting the Front Panel Header/ Anschließen der Frontpanel-Stiftleiste/ Connecter un connecteur du panneau avant/ Подключение разъемов передней панели



<http://youtu.be/DPELIdVNZUI>



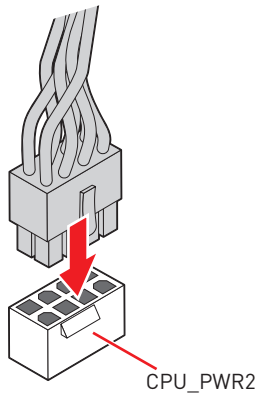
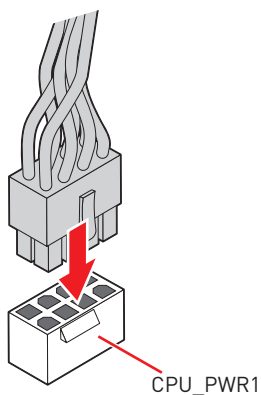
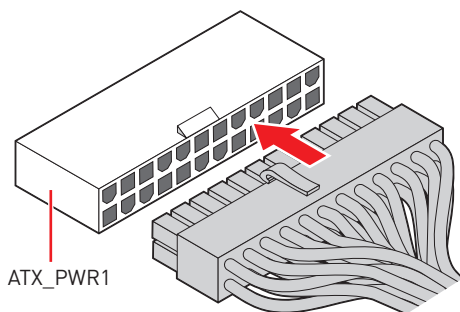
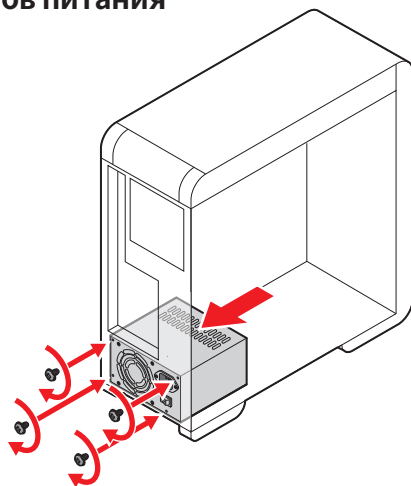
Installing the Motherboard/ Installation des Motherboards/ Installer la carte mère/ Установка материнской платы



Connecting the Power Connectors/ Stromanschlüsse anschliessen/ Connecter les câbles du module d' alimentation/ Подключение разъемов питания



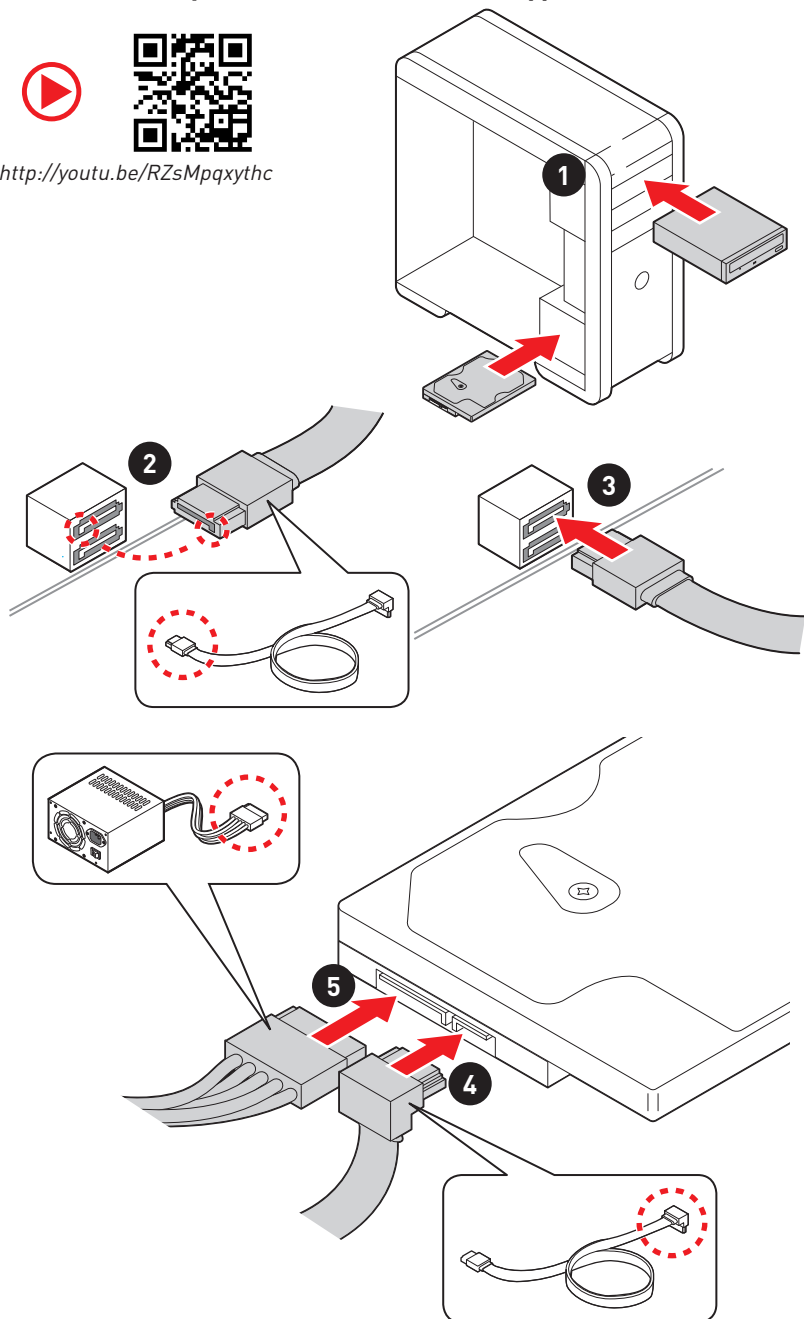
http://youtu.be/gkDYr_83I4



Installing SATA Drives/ Installation der SATA-Laufwerke/ Installer le disque dur SATA/ Установка дисков SATA



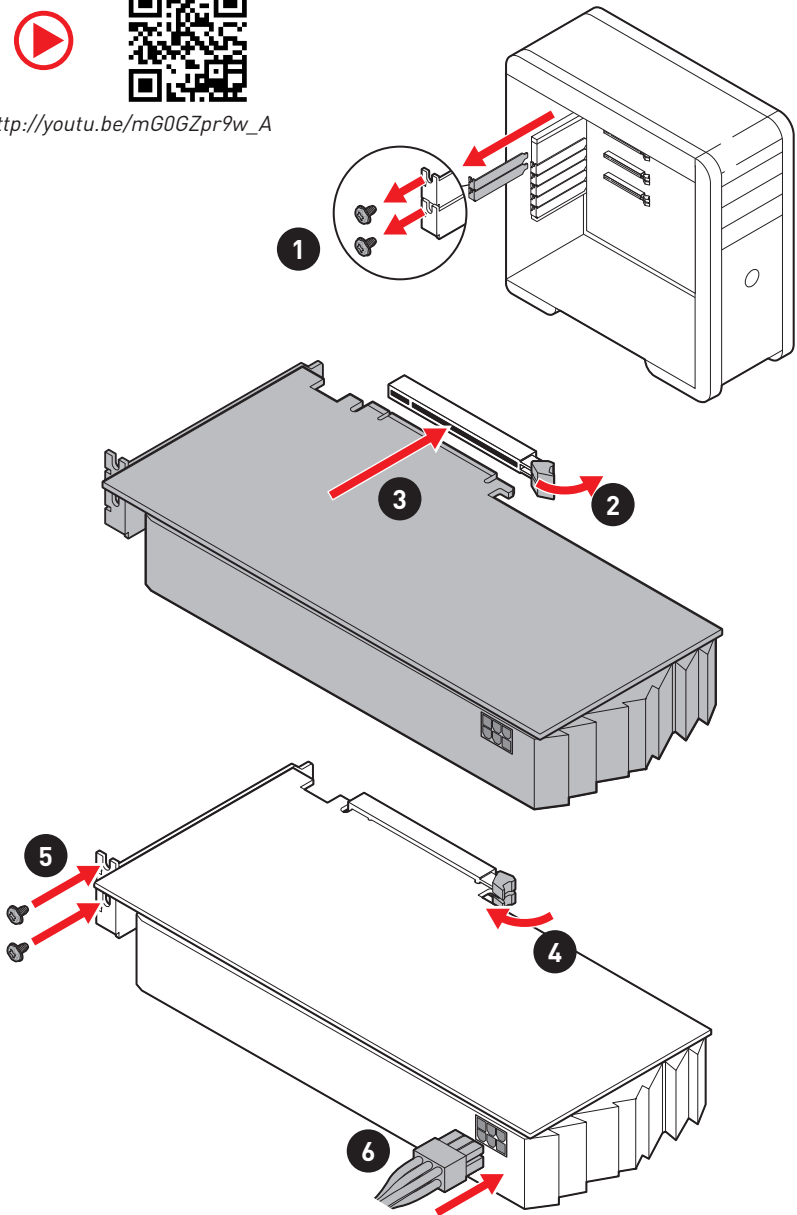
<http://youtu.be/RZsMpqxythc>



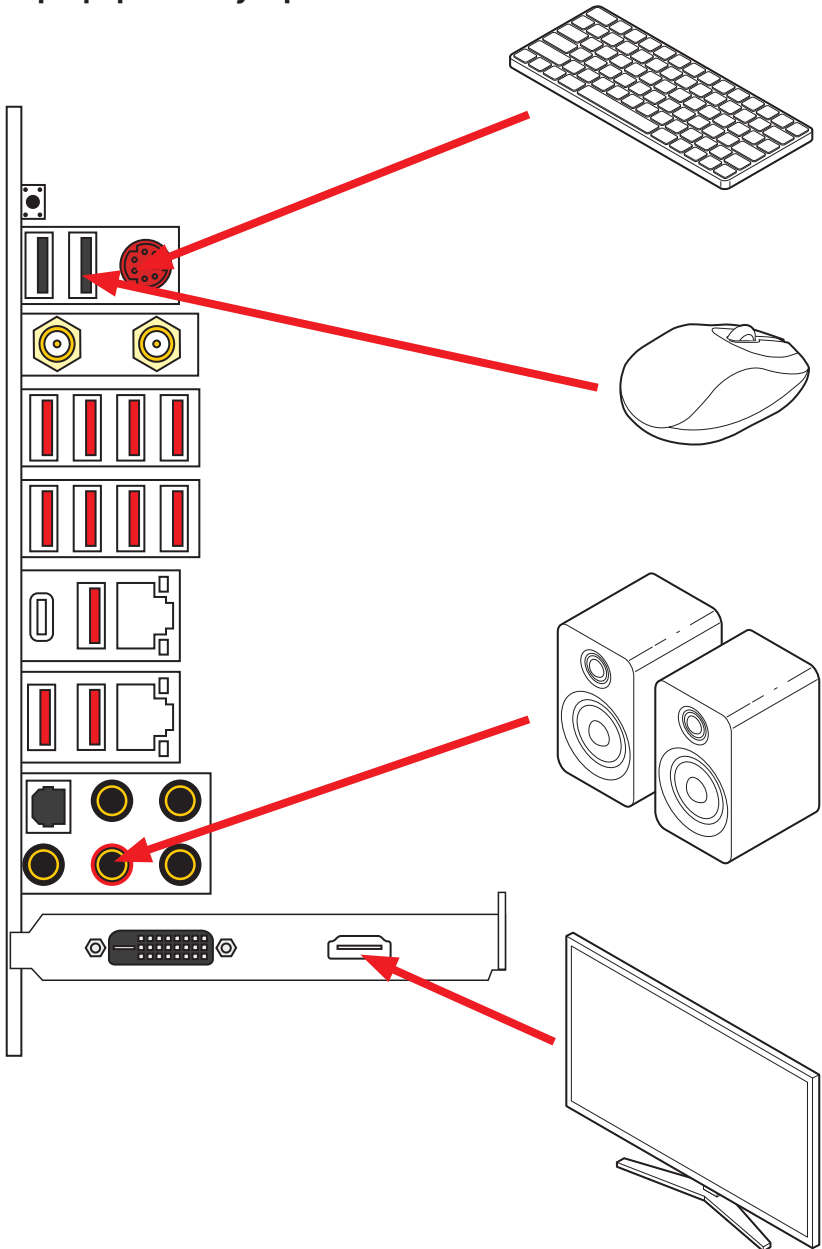
Installing a Graphics Card/ Einbau der Grafikkarte/ Installer une carte graphique/ Установка дискретной видеокарты



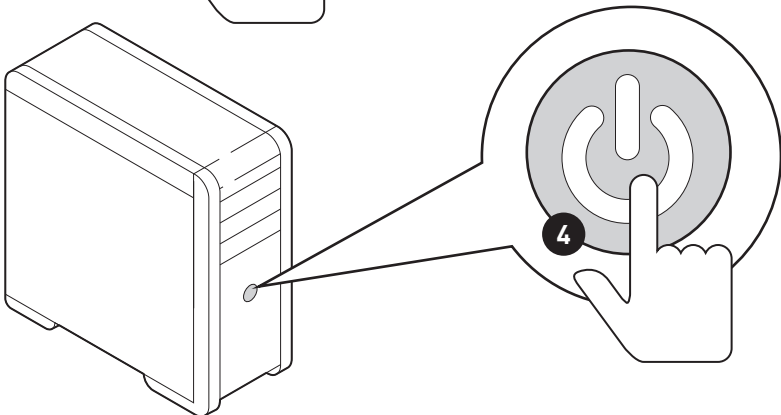
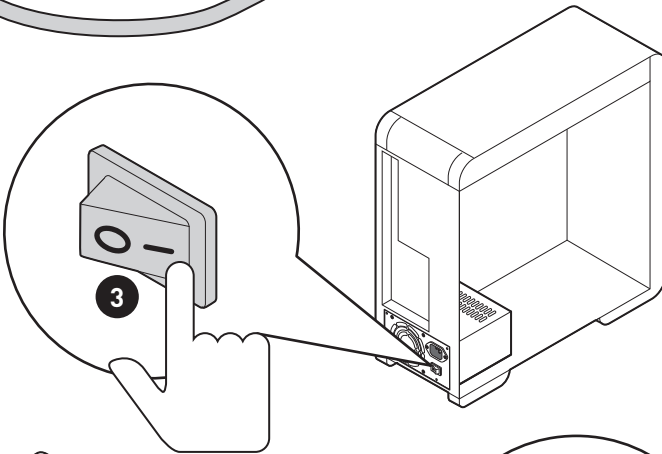
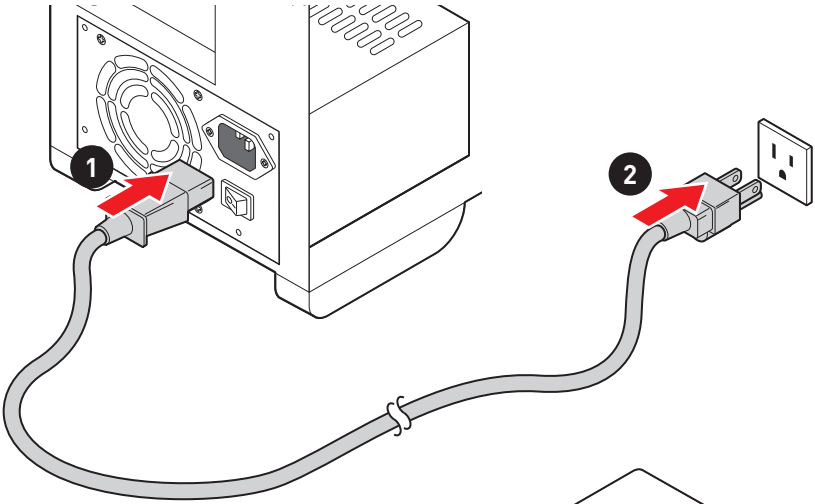
http://youtu.be/mG0GZpr9w_A



**Connecting Peripheral Devices/ Peripheriegeräte/
Connecter un périphérique anschliessen/ Подключение
периферийных устройств**



**Power On/ Einschalten/ Mettre sous-tension/ Включение
питания**



Contents

Safety Information	3
Specifications	4
JCORSAIR1 Connector Specification.....	9
Package contents	10
Rear I/O Panel	11
LAN Port LED Status Table.....	11
Audio Ports Configuration.....	11
Realtek Audio Console.....	12
Overview of Components	15
CPU Socket.....	16
DIMM Slots.....	17
PCI_E1~7: PCIe Expansion Slots.....	18
M2_1~2: M.2 Slots (Key M).....	21
JAUD1: Front Audio Connector.....	22
Installing M.2 XPANDER-Z GEN 4.....	23
JFP1, JFP2: Front Panel Connectors.....	25
SATA1~6: SATA 6Gb/s Connectors.....	25
CPU_PWR1~2, ATX_PWR1: Power Connectors.....	26
CPU_FAN1, PUMP_FAN1, SYS_FAN1~7: Fan Connectors.....	27
T_SEN1~2: Thermal Sensor Connectors.....	28
JUSB5: USB 3.2 Gen2 Type-C Connector.....	28
JUSB3~4: USB 3.2 Gen1 Connectors.....	29
JUSB1~2: USB 2.0 Connectors.....	29
POWER1, RESET1: Power Button, Reset Button.....	30
JBAT1: Clear CMOS (Reset BIOS) Jumper.....	30
JCI1: Chassis Intrusion Connector.....	31
JTPM1: TPM Module Connector.....	31
JRGB1: RGB LED connector.....	32
JRAINBOW1~2: Addressable RGB LED connectors.....	33
JCORSAIR1: CORSAIR Connector.....	34
Onboard LEDs	35
EZ Debug LED.....	35
A-XMP LED.....	35
JPWRLD1: LED power input.....	35
CPU Power LED.....	36
Debug Code LED.....	37
Hexadecimal Character Table.....	37

Boot Phases.....	37
Debug Code LED Table	37
ACPI States Codes	41
Installing OS, Drivers & Utilities	42
Installing Windows® 10.....	42
Installing Drivers	42
Installing Utilities	42
BIOS Setup	43
Entering BIOS Setup	43
Resetting BIOS.....	44
Updating BIOS.....	44
EZ Mode	45
Advanced Mode	47
OC Menu.....	48

Safety Information

- The components included in this package are prone to damage from electrostatic discharge (ESD). Please adhere to the following instructions to ensure successful computer assembly.
- Ensure that all components are securely connected. Loose connections may cause the computer to not recognize a component or fail to start.
- Hold the motherboard by the edges to avoid touching sensitive components.
- It is recommended to wear an electrostatic discharge (ESD) wrist strap when handling the motherboard to prevent electrostatic damage. If an ESD wrist strap is not available, discharge yourself of static electricity by touching another metal object before handling the motherboard.
- Store the motherboard in an electrostatic shielding container or on an anti-static pad whenever the motherboard is not installed.
- Before turning on the computer, ensure that there are no loose screws or metal components on the motherboard or anywhere within the computer case.
- Do not boot the computer before installation is completed. This could cause permanent damage to the components as well as injury to the user.
- If you need help during any installation step, please consult a certified computer technician.
- Always turn off the power supply and unplug the power cord from the power outlet before installing or removing any computer component.
- Keep this user guide for future reference.
- Keep this motherboard away from humidity.
- Make sure that your electrical outlet provides the same voltage as is indicated on the PSU, before connecting the PSU to the electrical outlet.
- Place the power cord such a way that people can not step on it. Do not place anything over the power cord.
- All cautions and warnings on the motherboard should be noted.
- If any of the following situations arises, get the motherboard checked by service personnel:
 - Liquid has penetrated into the computer.
 - The motherboard has been exposed to moisture.
 - The motherboard does not work well or you can not get it work according to user guide.
 - The motherboard has been dropped and damaged.
 - The motherboard has obvious sign of breakage.
- Do not leave this motherboard in an environment above 60°C (140°F), it may damage the motherboard.

Specifications

CPU	Supports 2nd and 3rd Gen AMD Ryzen™ / Ryzen™ with Radeon™ Vega Graphics and 2nd Gen AMD Ryzen™ with Radeon™ Graphics Desktop Processors for Socket AM4
Chipset	AMD® X570 Chipset
Memory	<ul style="list-style-type: none"> • 4x DDR4 memory slots, support up to 128GB (depending on the processor) <ul style="list-style-type: none"> ▪ Supports 1866/ 2133/ 2400/ 2666Mhz by JEDEC, 2666/ 2800/ 2933/ 3000/ 3066/ 3200/ 3466/ 3600/ 3733/3866/ 4000/ 4133/ 4266/ 4400/ 4533 by A-XMP OC mode • Dual channel memory architecture • Supports non-ECC UDIMM memory • Supports ECC UDIMM memory (non-ECC mode) • Supports un-buffered memory <p>* Please refer www.msi.com for more information on compatible memory.</p>
Expansion Slot	<ul style="list-style-type: none"> • 2x PCIe 4.0/3.0 x16 slot (PCI_E2, PCI_E5) <ul style="list-style-type: none"> ▪ 3rd Gen AMD Ryzen™ support PCIe 4.0 x16/x0, x8/x8 mode ▪ 2nd Gen AMD Ryzen™ support PCIe 3.0x16/x0, x8/x8 mode ▪ Ryzen™ with Radeon™ Vega Graphics and 2nd Gen AMD Ryzen™ with Radeon™ Graphics support PCIe 3.0 x8/x0 mode • 1x PCIe 4.0/3.0 x16 slot (PCI_E7, supports x4 mode) • 4x PCIe 2.0 x1 slots <p>*The speeds may vary for different devices</p>
Multi-GPU	<ul style="list-style-type: none"> • Supports 2-Way NVIDIA® SLI™ Technology • Supports 3-Way AMD® CrossFire™ Technology

Continued on next page

Continued from previous page

<p>Storage</p>	<ul style="list-style-type: none"> • 6x SATA 6Gb/s ports (from AMD® X570 Chipset) • 2x M.2 slots (Key M)* <ul style="list-style-type: none"> ▪ M2_1 slot (from AMD® Processor) supports PCIe 4.0 x4 (3rd Gen AMD Ryzen™ Desktop Processors) or PCIe 3.0 x4 (2nd Gen AMD Ryzen™/ Ryzen™ with Radeon™ Vega Graphics and 2nd Gen AMD Ryzen™ with Radeon™ Graphics) 2242/2260/2280 storage devices ▪ M2_2 slot (from AMD® X570 Chipset) supports PCIe 4.0 x4 (3rd Gen AMD Ryzen™) or 3.0 x4 (2nd Gen AMD Ryzen™/ Ryzen™ with Radeon™ Vega Graphics and 2nd Gen AMD Ryzen™ with Radeon™ Graphics) and SATA 6Gb/s 2242/ 2260/ 2280/ 22110 storage devices <p>*The speeds may vary for different devices</p>
<p>RAID</p>	<p>AMD® X570 Chipset</p> <ul style="list-style-type: none"> • Supports RAID 0, RAID 1 and RAID 10
<p>LAN</p>	<ul style="list-style-type: none"> • 1x Intel® I211AT Gigabit LAN controller • 1x Aquantia® AQC107 10-Gigabit LAN controller
<p>WiFi & Bluetooth</p>	<p>Intel® Wi-Fi 6 AX200</p> <ul style="list-style-type: none"> • The Wireless module is pre-install in the M2_WIF11 (Key-E) slot • Supports 802.11 a/b/g/n/ac/ax, MU-MIMO Rx, 2.4GHz-5GHz (160MHz) up to 2.4Gbps • Supports Bluetooth® 5
<p>USB</p>	<ul style="list-style-type: none"> • AMD® X570 Chipset <ul style="list-style-type: none"> ▪ 1x USB 3.2 Gen2 (SuperSpeed USB 10Gbps) Type-C internal connector ▪ 12x USB 3.2 Gen1 (SuperSpeed USB) ports (8 Type-A ports on the back panel, 4 ports available through the internal USB 3.2 Gen1 connectors) ▪ 6x USB 2.0 (High-speed USB) ports (2 Type-A ports on the back panel, 4 ports available through the internal USB 2.0 connectors) • AMD® Processor <ul style="list-style-type: none"> ▪ 2x USB 3.2 Gen2 (3rd Gen AMD Ryzen™) or USB 3.2 Gen1 (2nd Gen AMD Ryzen™/ Ryzen™ with Radeon™ Vega Graphics and 2nd Gen AMD Ryzen™ with Radeon™ Graphics) Type-A and Type-C port on the back panel ▪ 2x USB 3.2 Gen1 (SuperSpeed USB) Type-A ports on the back panel


Continued on next page

Continued from previous page

Audio	<p>1x Realtek® ALC1220 Codec</p> <ul style="list-style-type: none">• 7.1-Channel High Definition Audio• Supports S/PDIF output
Back Panel Connectors	<ul style="list-style-type: none">• 1x Clear CMOS button• 1x PS/2 keyboard/ mouse combo port• 2x USB 2.0 ports• 2x Wi-Fi Antenna connectors• 10x USB 3.2 Gen1 Type-A ports• 1x Gigabit LAN (RJ45) port• 1x 10-Gigabit LAN (RJ45) port• 2x USB 3.2 Gen2 Type-A & Type-C port (depending on the processor)• 5x OFC audio jacks• 1x Optical S/PDIF OUT connector
Internal Connectors	<ul style="list-style-type: none">• 1x 24-pin ATX main power connector• 2x 8-pin ATX 12V power connectors• 6x SATA 6Gb/s connectors• 2x M.2 slots (M-Key)• 1x USB 3.2 Gen2 Type-C port• 2x USB 3.2 Gen1 connectors (supports additional 4 USB 3.2 Gen1 ports)• 2x USB 2.0 connectors (supports additional 4 USB 2.0 ports)• 1x 4-pin CPU fan connector• 1x 4-pin Water Pump connector• 7x 4-pin system fan connectors• 1x Front panel audio connector• 2x System panel connectors• 1x Chassis Intrusion connector• 1x TPM module connector• 2x 2-pin Thermal Sensors connectors• 1x 4-pin RGB LED connector• 2x 3-pin RAINBOW LED connectors• 1x 3-pin CORSAIR LED connector

Continued on next page

Continued from previous page

Internal Buttons	<ul style="list-style-type: none"> • 1x Power button • 1x Reset button
Debug LED	<ul style="list-style-type: none"> • 1x 2-Digit Debug Code LED • 4x EZ Debug LED
I/O Controller	NUVOTON NCT6797 Controller Chip
Hardware Monitor	<ul style="list-style-type: none"> • CPU/System/Chipset temperature detection • CPU/System/Chipset fan speed detection • CPU/System/Chipset fan speed control
Form Factor	<ul style="list-style-type: none"> • E-ATX Form Factor • 12 in. x 10.7 in. (30.5 cm x 27.2 cm)
BIOS Features	<ul style="list-style-type: none"> • 1x 256 Mb flash • UEFI AMI BIOS • ACPI 6.1, SMBIOS 2.8 • Multi-language
Software	<ul style="list-style-type: none"> • Drivers • CREATOR CENTER • Nahimic Audio • CPU-Z MSI GAMING • MSI App Player (BlueStacks) • Google Chrome™, Google Toolbar, Google Drive • Norton™ Internet Security Solution
Creator Center Features	<ul style="list-style-type: none"> • CREATOR OPTIMIZATION • High Performance • Hardware Monitor • LAN Manager • True Color • Mystic Light • Live update <div style="text-align: right;">  <p>Please refer to http://download.msi.com/manual/mb/CREATORCENTER.pdf for more details.</p> </div>

Continued on next page

Continued from previous page

Special Features

- Audio
 - Audio Boost 4
 - Nahimic 3
 - Voice Boost
- Network
 - 10G SUPER LAN
 - GAMING LAN with Gaming LAN Manager
 - Intel WiFi
- Storage
 - Lightning Gen4 M.2
 - Twin M.2
- Cooling
 - FROZR Heatsink Design
 - Propeller Blade Technology
 - M.2 Shield FROZR
 - Extended Heatsink Design
 - Pump Fan
 - Gaming Fan Control
- LED
 - Mystic Light 3
 - Mystic Light Extension (RGB)
 - Mystic Light Extension (RAINBOW)
 - Mystic Light Extension (CORSAIR)
 - Mystic Light Sync
 - EZ DEBUG LED
- Protection
 - PCIe Steel Armor
 - DDR4 Steel Armor
 - M.2 Shield FROZR

Continued on next page

Continued from previous page

Special Features	<ul style="list-style-type: none">• Performance<ul style="list-style-type: none">▪ Lightning Gen4 PCI-E Slot▪ Multi GPU-SLI Technology▪ Multi GPU-CrossFire Technology▪ DDR4 Boost▪ Core Boost▪ GAME Boost▪ USB with type A+C▪ AMD Turbo USB 3.2 Gen 2▪ Front USB Type C▪ Dual CPU Power• Gamer Experience<ul style="list-style-type: none">▪ GAMING HOTKEY▪ GAMING MOUSE Control▪ SPEED UP▪ Total Fan Control▪ Live Update▪ APP Player• BIOS<ul style="list-style-type: none">▪ Click BIOS 5
-------------------------	---

JCORSAIR1 Connector Specification

Supporting CORSAIR RGB Products	Maximum connection
Lighting Node PRO LED Strip	20* <small>* 20% brightness is recommended when the number of LED strips exceeds 8.</small>
HD120 RGB Fan	6
SP120 RGB Fan	6
LL120 RGB Fan	6

Package contents

Please check the contents of your motherboard package. It should contain:

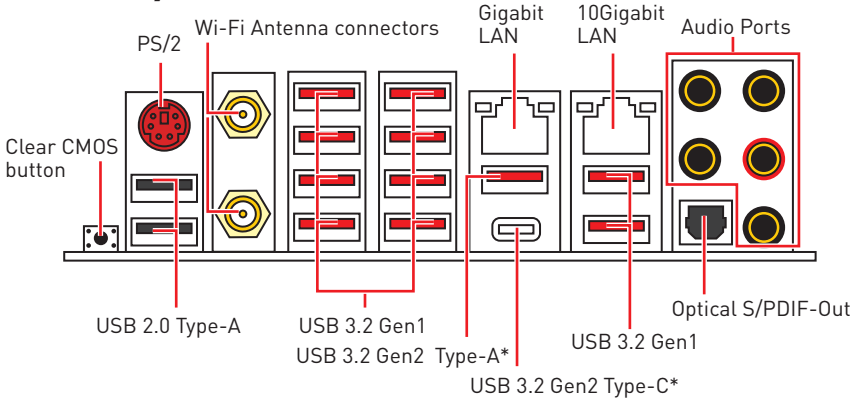
Motherboard	PRESTIGE X570 CREATION	
Cable	SATA 6Gb/s Cables	4
	1 to 2 RGB LED Extension Y Cable 80cm	1
	CORSAIR RGB LED Extension Cable 50cm	1
	RAINBOW RGB LED Extension Cable 80cm	1
	Thermistor Cable	2
Accessories	Antenna Set	1
	M.2 Xpander-Z Gen4	1
	8.5H M.2 screws	2
	Case Badge	1
	SATA Cable Labels	1
	Product Registration Card	1
Application DVD	Driver DVD	1
Documentation	User Manual	1
	Quick Installation Guide	1



Important

If any of the above items are damaged or missing, please contact your retailer.

Rear I/O Panel



*USB 3.2 Gen2 (3rd Gen AMD Ryzen™) or USB 3.2 Gen1 (2nd Gen AMD Ryzen™/ Ryzen™ with Radeon™ Vega Graphics and 2nd Gen AMD Ryzen™ with Radeon™ Graphics)

- **Clear CMOS button** - Power off your computer. Press and hold the Clear CMOS button for about 5-10 seconds to reset BIOS to default values.

LAN Port LED Status Table

Link/ Activity LED		Speed LED												
Status	Description													
Off	No link	<table border="1"> <thead> <tr> <th>Status</th> <th>Gigabit LAN</th> <th>10Gigabit LAN</th> </tr> </thead> <tbody> <tr> <td>Off</td> <td>10 Mbps</td> <td>N/A</td> </tr> <tr> <td>Green</td> <td>100 Mbps</td> <td>100 M/ 1G bps</td> </tr> <tr> <td>Orange</td> <td>1 Gbps</td> <td>10 Gbps</td> </tr> </tbody> </table>	Status	Gigabit LAN	10Gigabit LAN	Off	10 Mbps	N/A	Green	100 Mbps	100 M/ 1G bps	Orange	1 Gbps	10 Gbps
Status	Gigabit LAN		10Gigabit LAN											
Off	10 Mbps		N/A											
Green	100 Mbps		100 M/ 1G bps											
Orange	1 Gbps	10 Gbps												
On	Linked													
Blinking	Data activity													

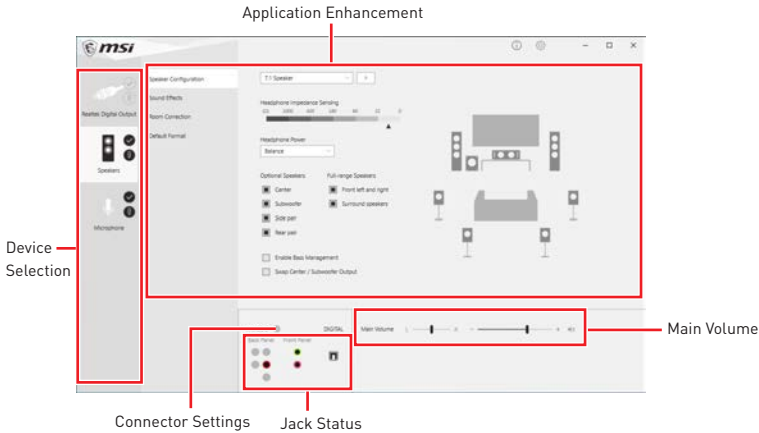
Audio Ports Configuration

Audio Ports	Channel			
	2	4	6	8
Center/ Subwoofer Out			●	●
Rear Speaker Out		●	●	●
Line-In/ Side Speaker Out				●
Line-Out/ Front Speaker Out	●	●	●	●
Mic In				

(●: connected, **Blank**: empty)

Realtek Audio Console

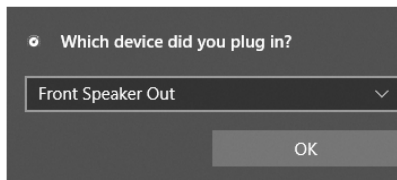
After Realtek Audio Console is installed, you can use it to change sound settings to get better sound experience.



- **Device Selection** - allows you to select a audio output source to change the related options. The **check** sign indicates the devices as default.
- **Application Enhancement** - the array of options will provide you a complete guidance of anticipated sound effect for both output and input device.
- **Main Volume** - controls the volume or balance the right/left side of the speakers that you plugged in front or rear panel by adjust the bar.
- **Jack Status** - depicts all render and capture devices currently connected with your computer.
- **Connector Settings** - configures the connection settings.

Auto popup dialog

When you plug into a device at an audio jack, a dialogue window will pop up asking you which device is current connected.



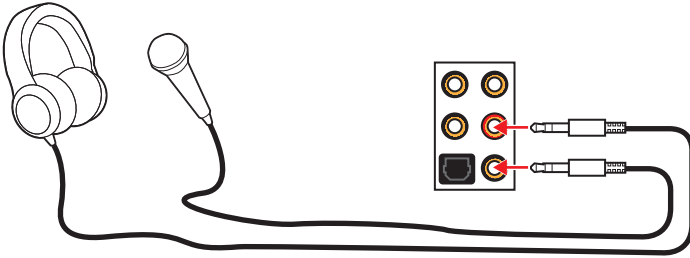
Each jack corresponds to its default setting as shown on the next page.



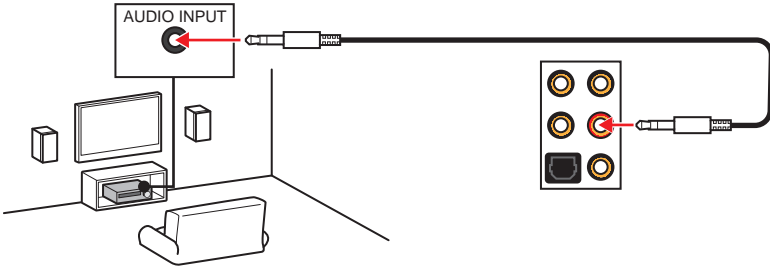
Important

The pictures above for reference only and may vary from the product you purchased.

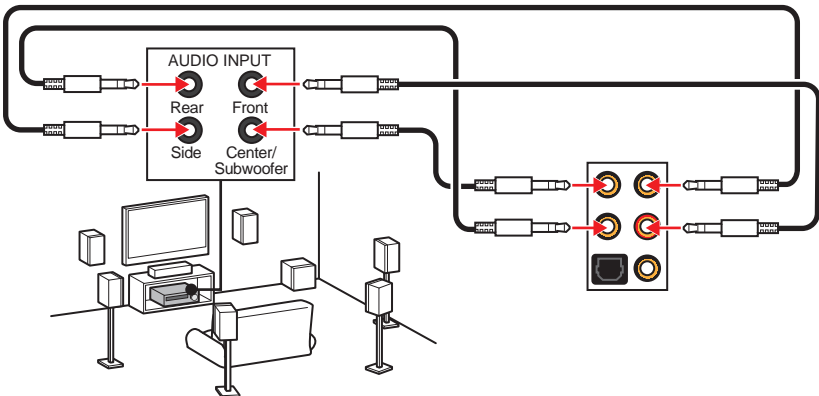
Audio jacks to headphone and microphone diagram



Audio jacks to stereo speakers diagram

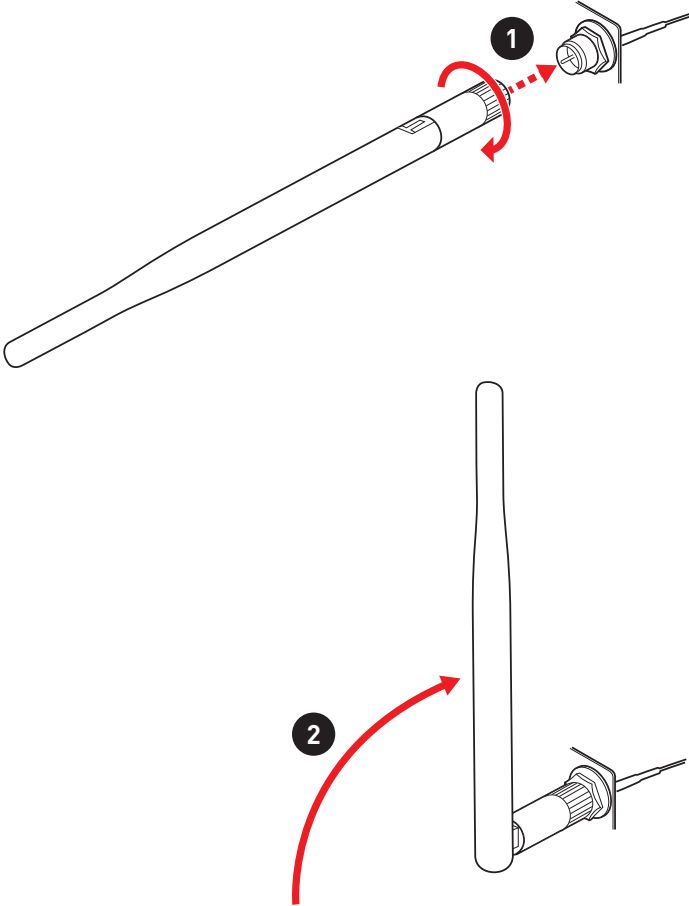


Audio jacks to 7.1-channel speakers diagram

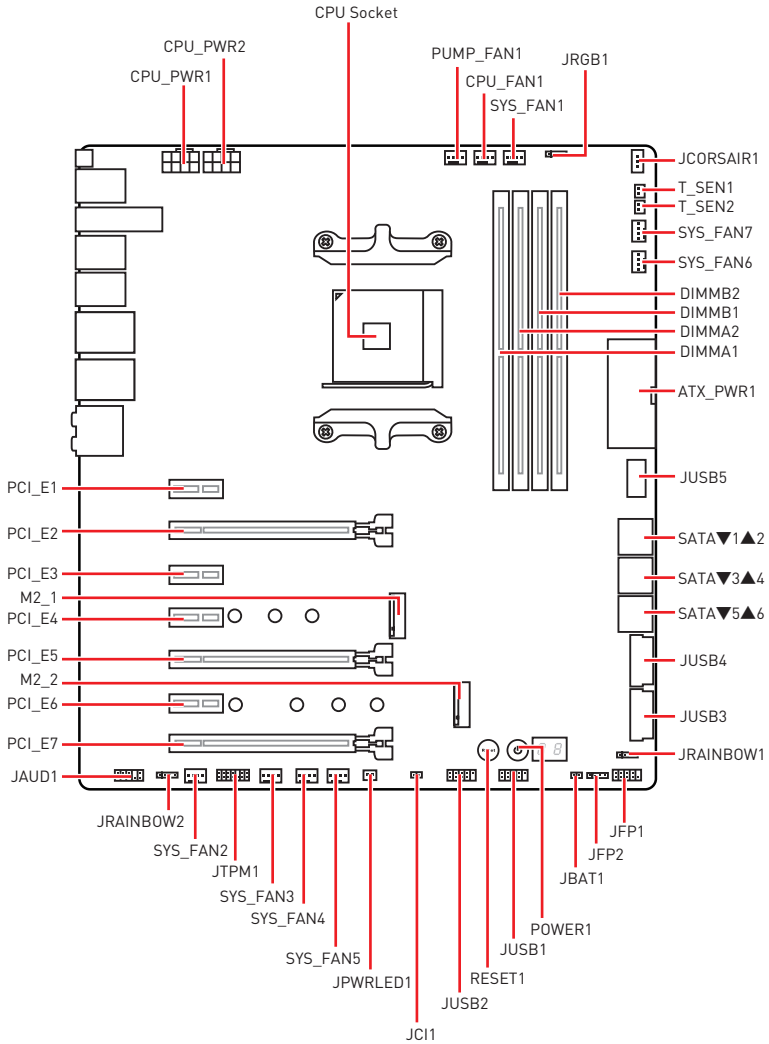


Installing antennas

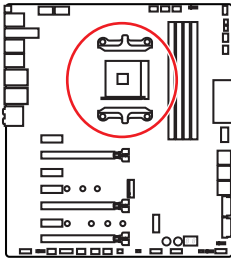
1. Screw the antennas tight to the antenna connectors as shown below.
2. Orient the antennas.



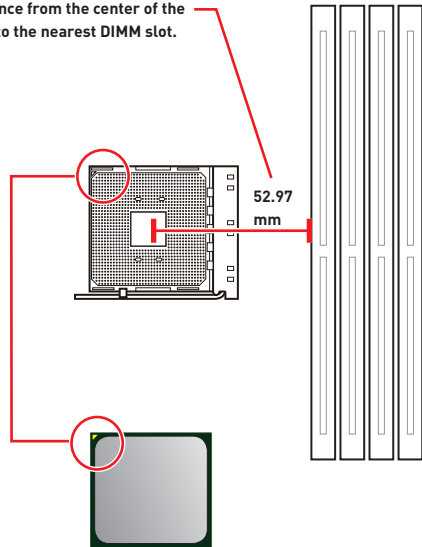
Overview of Components



CPU Socket



Distance from the center of the CPU to the nearest DIMM slot.



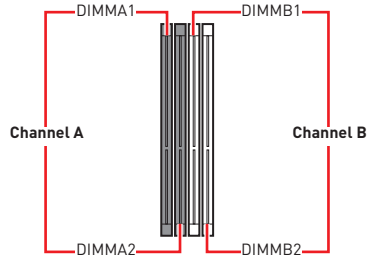
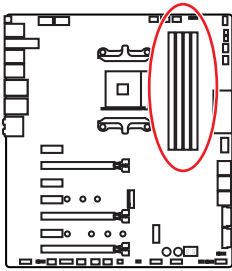
Introduction to the AM4 CPU

The surface of the AM4 CPU has a yellow triangle to assist in correctly lining up the CPU for motherboard placement. The yellow triangle is the Pin 1 indicator.

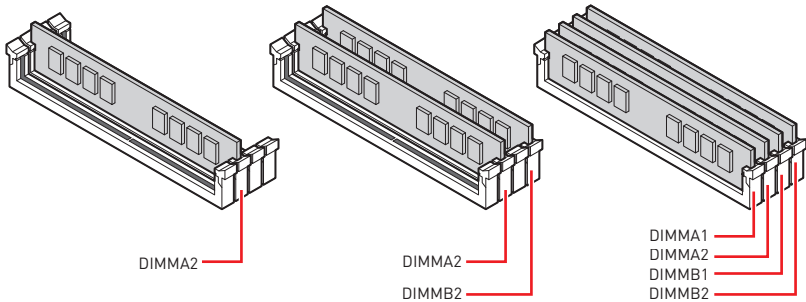
Important

- When changing the processor, the system configuration could be cleared and reset BIOS to default values, due to the AM4 processor's architecture.
- Always unplug the power cord from the power outlet before installing or removing the CPU.
- When installing a CPU, always remember to install a CPU heatsink. A CPU heatsink is necessary to prevent overheating and maintain system stability.
- Confirm that the CPU heatsink has formed a tight seal with the CPU before booting your system.
- Overheating can seriously damage the CPU and motherboard. Always make sure the cooling fans work properly to protect the CPU from overheating. Be sure to apply an even layer of thermal paste (or thermal tape) between the CPU and the heatsink to enhance heat dissipation.
- If you purchased a separate CPU and heatsink/ cooler, Please refer to the documentation in the heatsink/ cooler package for more details about installation.
- This motherboard is designed to support overclocking. Before attempting to overclock, please make sure that all other system components can tolerate overclocking. Any attempt to operate beyond product specifications is not recommended. MSI® does not guarantee the damages or risks caused by inadequate operation beyond product specifications.

DIMM Slots



Memory module installation recommendation



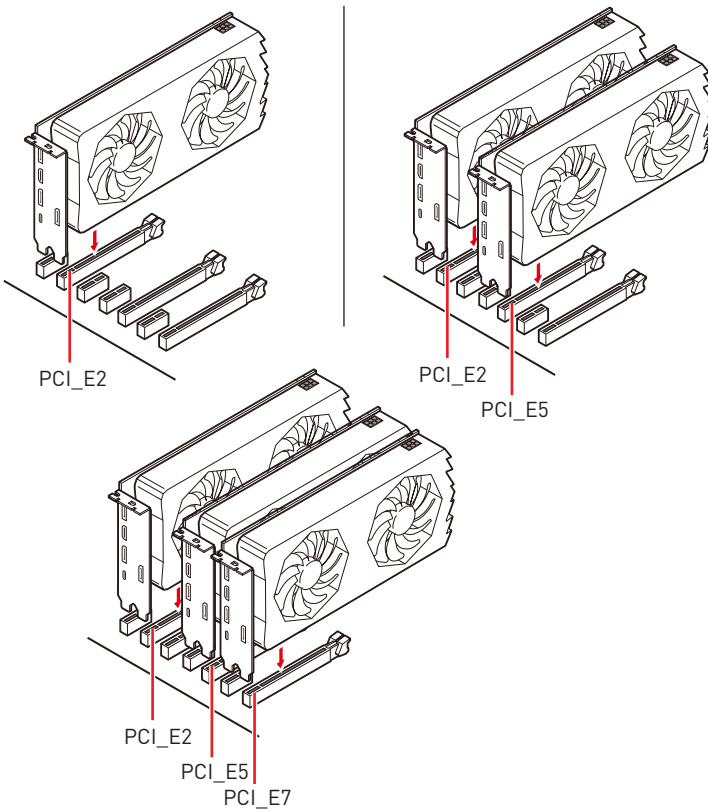
Important

- Always insert memory modules in the **DIMMA2** slot first.
- Due to chipset resource usage, the available capacity of memory will be a little less than the amount of installed.
- Based on the processor specification, the Memory DIMM voltage below 1.35V is suggested to protect the processor.
- Some memory modules may operate at a lower frequency than the marked value when overclocking due to the memory frequency operates dependent on its Serial Presence Detect (SPD). Go to BIOS and find the **DRAM Frequency** to set the memory frequency if you want to operate the memory at the marked or at a higher frequency.
- It is recommended to use a more efficient memory cooling system for full DIMMs installation or overclocking.
- The stability and compatibility of installed memory module depend on installed CPU and devices when overclocking.
- Due to AM4 CPU/memory controller official specification limitation, the frequency of memory modules may operate lower than the marked value under the default state. Please refer www.msi.com for more information on compatible memory.

PCI_E1~7: PCIe Expansion Slots

Slots	3rd Gen AMD Ryzen™	2nd Gen AMD Ryzen™	Ryzen™ with Radeon™ Vega Graphics and 2nd Gen AMD Ryzen™ with Radeon™ Graphics
PCI_E1	PCIe 2.0 x1	PCIe 2.0 x1	PCIe 2.0 x1
PCI_E2	PCIe 4.0 x16	PCIe 3.0 x16	PCIe 3.0 x8
PCI_E3	PCIe 2.0 x1	PCIe 2.0 x1	PCIe 2.0 x1
PCI_E4	PCIe 2.0 x1	PCIe 2.0 x1	PCIe 2.0 x1
PCI_E5	PCIe 4.0 x8	PCIe 3.0 x8	—
PCI_E6	PCIe 2.0 x1	PCIe 2.0 x1	PCIe 2.0 x1
PCI_E7	PCIe 4.0 x4	PCIe 3.0 x4	PCIe 3.0 x4

Multiple graphics cards installation recommendation (Ryzen™ series processors)



Important

- If you install a large and heavy graphics card, you need to use a tool such as **MSI Gaming Series Graphics Card Bolster** to support its weight to prevent deformation of the slot.
- For a single PCIe x16 expansion card installation with optimum performance, using the **PCI_E2** slot is recommended.
- When adding or removing expansion cards, always turn off the power supply and unplug the power supply power cable from the power outlet. Read the expansion card's documentation to check for any necessary additional hardware or software changes.

PCIe bandwidth table

For 3rd Gen AMD Ryzen™

Slot	Single	2-Way	3-Way
PCI_E2 (CPU)	Gen 4.0 x 16*	Gen 4.0 x 8*	Gen 4.0 x 8*
PCI_E5 (CPU)	—	Gen 4.0 x 8*	Gen 4.0 x 8*
PCI_E7 (PCH)	Gen 4.0 x 4	Gen 4.0 x 4	Gen 4.0 x 4*

For 2nd Gen AMD Ryzen™

Slot	Single	2-Way	3-Way
PCI_E2 (CPU)	Gen 3.0 x 16*	Gen 3.0 x 8*	Gen 3.0 x 8*
PCI_E5 (CPU)	—	Gen 3.0 x 8*	Gen 3.0 x 8*
PCI_E7 (PCH)	Gen 3.0 x 4	Gen 3.0 x 4	Gen 3.0 x 4*

For Ryzen™ with Radeon™ Vega Graphics and 2nd Gen AMD Ryzen™ with Radeon™ Graphics

Slot	Single	2-Way
PCI_E2 (CPU)	Gen 3.0 x 8*	Gen 3.0 x 8*
PCI_E5 (CPU)	—	—
PCI_E7 (PCH)	Gen 3.0 x 4	Gen 3.0 x 4*

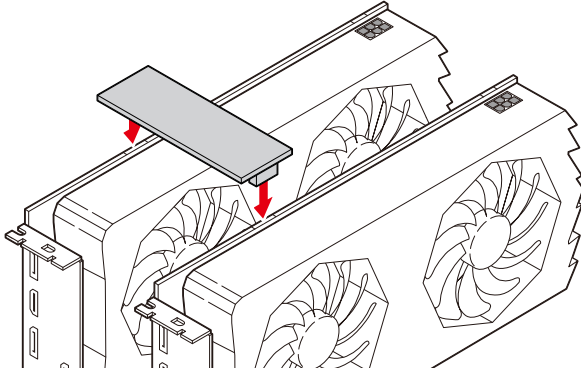
[—: empty, *: graphics card]

Installing SLI graphics cards

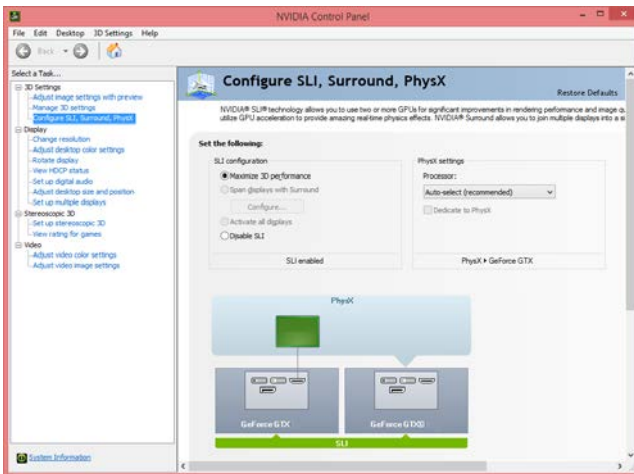
For power supply recommendations for SLI configurations, please refer to the user guide of your graphics card to make sure you meet all the system requirements.

To install SLI graphics cards:

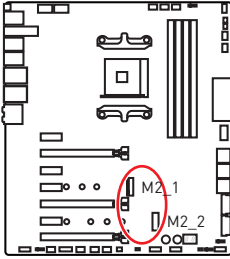
1. Turn off your computer and disconnect the power cord, install two graphics cards into the **PCI_E2** and **PCI_E5** slots.
2. Connect the two cards together using the **SLI Bridge Connector**.



3. Connect all PCIe power connectors of the graphics cards.
4. Reconnect the power cord, power up the computer and install the drivers and software included in your graphics card package.
5. Right-click the Windows desktop and select **NVIDIA Control Panel** from the menu, click on **Configure SLI, Surround, PhysX** in the left task pane and select **Maximize 3D performance** in the SLI configuration menu, and then click **Apply**.



M2_1~2: M.2 Slots (Key M)

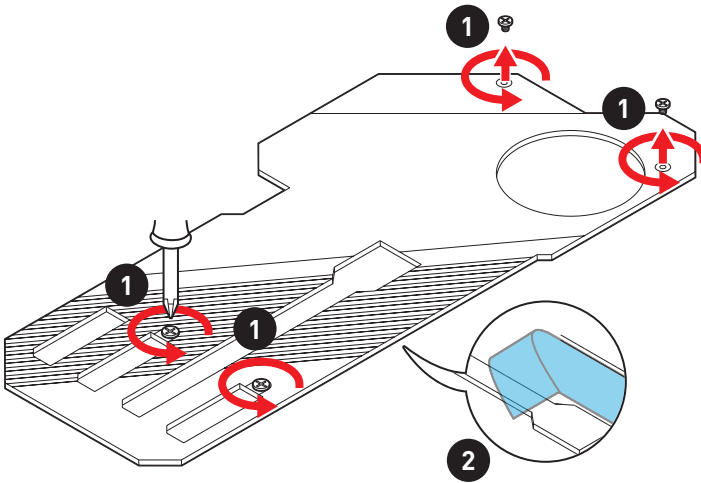


The following table describes the relationship between the M.2 slots and the PCIe bandwidth of the processors.

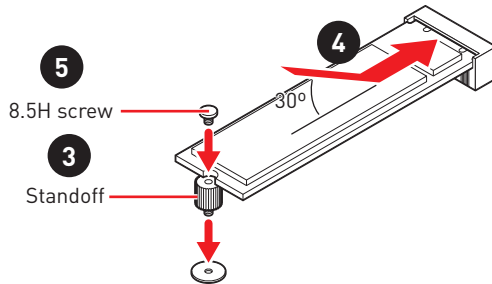
Slots	3rd Gen AMD Ryzen™	2nd Gen AMD Ryzen™	Ryzen™ with Radeon™ Vega Graphics and 2nd Gen AMD Ryzen™ with Radeon™ Graphics
M2_1	PCIe 4.0 x4	PCIe 3.0 x4	PCIe 3.0 x4
M2_2	PCIe 4.0 x4	PCIe 3.0 x4	PCIe 3.0 x4

Installing M.2 module

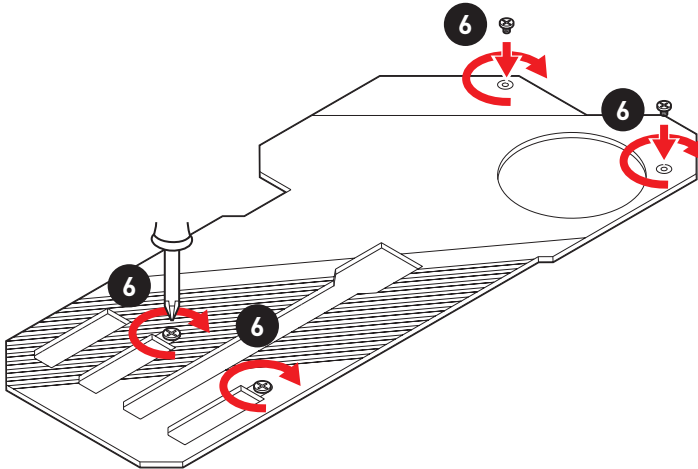
1. Loosen the screws of M.2 SHIELD FROZR.
2. Remove the M.2 SHIELD FROZR and remove the protective films from the thermal pads.



3. Move the position of the standoffs according to your M.2 SSDs length if need.
4. Insert your M.2 SSD into the M.2 slot at a 30-degree angle.
5. Secure the M.2 SSD in place with the supplied M.2 8.5H screw.

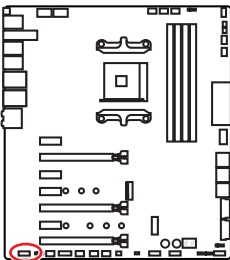


6. Put the M.2 SHIELD FROZR heatsink back in place and secure it.



JAUD1: Front Audio Connector

This connector allows you to connect audio jacks on the front panel.

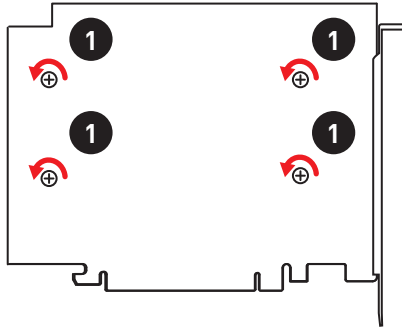


1	MIC L	2	Ground
3	MIC R	4	NC
5	Head Phone R	6	MIC Detection
7	SENSE_SEND	8	No Pin
9	Head Phone L	10	Head Phone Detection

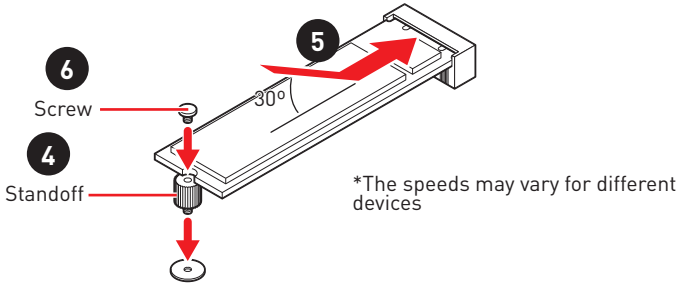
Installing M.2 XPANDER-Z GEN 4

To install the M.2 XPANDER-Z GEN 4 card, please follows the steps below.

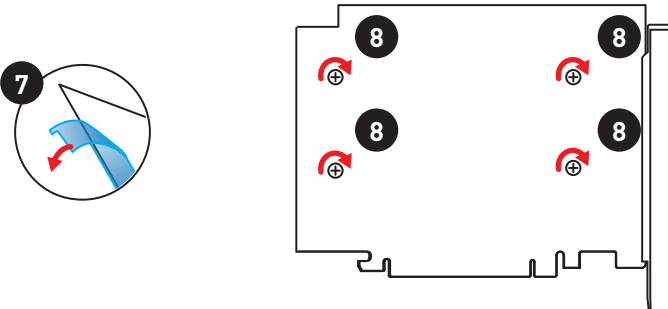
1. Remove the heatsink by loosening four screws on the back of the M.2 XPANDER-Z GEN 4 card.



2. Loosen M.2 screw from M.2 standoff.
3. Loosen M.2 standoff.
4. Move and fasten M.2 standoff to the appropriate location for your M.2 SSD.
5. Insert your M.2 SSD into the M.2 slot at a 30-degree angle.
6. Secure the M.2 device in place with M.2 screw.



7. Remove the protective film from the thermal pad of the heatsink.
8. Reinstall and secure the heatsink with four heatsink screws.

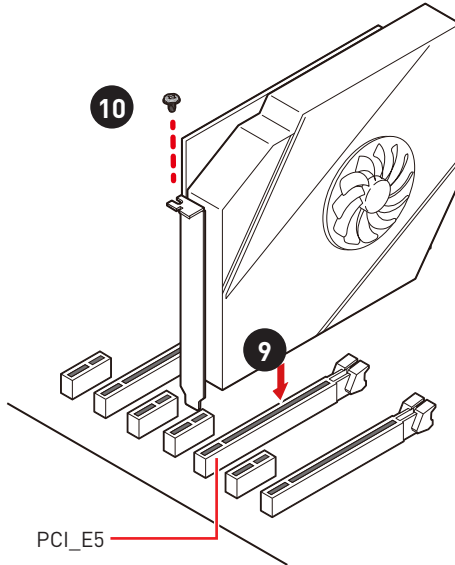


9. Insert the M.2 XPANDER-Z GEN 4 card into the **PCI_E5** slot.

! **Important**

PCI_E1 and PCI_E5 slots support the M.2 XPANDER-Z GEN 4 card.

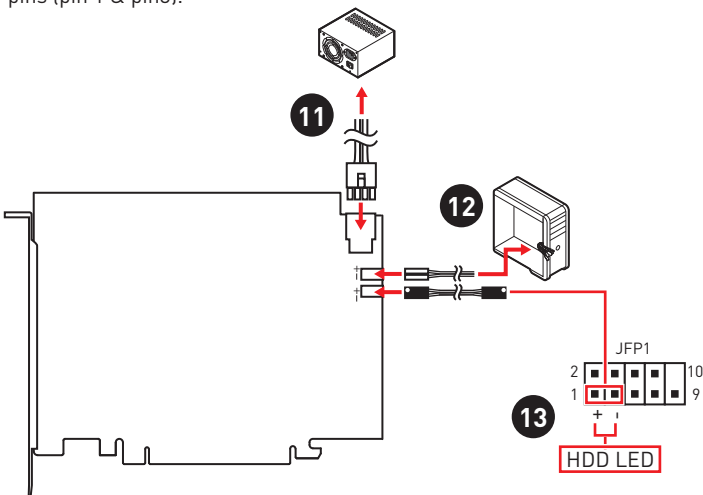
10. Use the screw to secure the M.2 XPANDER-Z GEN 4 card.



11. Connect the PCIE_PWR1 to the power supply.

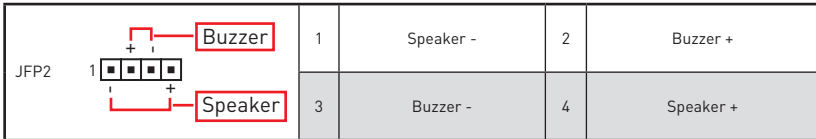
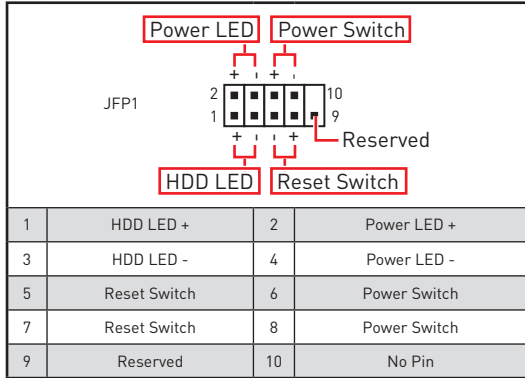
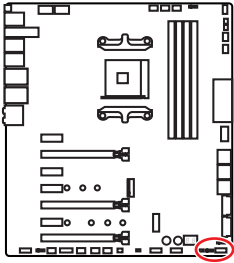
12. Connect the case's HDD LED cable to the JCASE connector.

13. Using the supplied HDD LED cable to connect the JMB connector and JFP1's HDD pins (pin 1 & pin3).



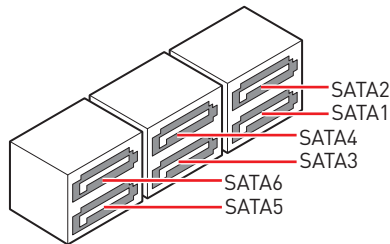
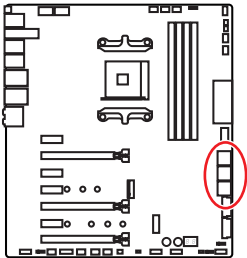
JFP1, JFP2: Front Panel Connectors

These connectors connect to the switches and LEDs on the front panel.



SATA1~6: SATA 6Gb/s Connectors

These connectors are SATA 6Gb/s interface ports. Each connector can connect to one SATA device.

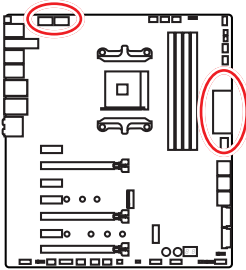


Important

- Please do not fold the SATA cable at a 90-degree angle. Data loss may result during transmission otherwise.
- SATA cables have identical plugs on either sides of the cable. However, it is recommended that the flat connector be connected to the motherboard for space saving purposes.

CPU_PWR1~2, ATX_PWR1: Power Connectors

These connectors allow you to connect an ATX power supply.



1	Ground	5	+12V
2	Ground	6	+12V
3	Ground	7	+12V
4	Ground	8	+12V

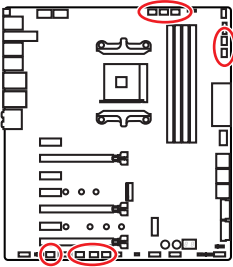
1	+3.3V	13	+3.3V
2	+3.3V	14	-12V
3	Ground	15	Ground
4	+5V	16	PS-ON#
5	Ground	17	Ground
6	+5V	18	Ground
7	Ground	19	Ground
8	PWR OK	20	Res
9	5VSB	21	+5V
10	+12V	22	+5V
11	+12V	23	+5V
12	+3.3V	24	Ground

Important

- Make sure that all the power cables are securely connected to a proper ATX power supply to ensure stable operation of the motherboard.
- It is recommended to connect two 8-pin connectors or at least one 8-pin and one 4-pin power connectors to the CPU_PWR1 and CPU_PWR2 to optimize system stability and prevent the motherboard from overheating under heavy load.

CPU_FAN1, PUMP_FAN1, SYS_FAN1~7: Fan Connectors

Fan connectors can be classified as PWM (Pulse Width Modulation) Mode or DC Mode. PWM Mode fan connectors provide constant 12V output and adjust fan speed with speed control signal. DC Mode fan connectors control fan speed by changing voltage. This motherboard can automatically detect PWM and DC mode. However, you can follow the instruction below to adjust the fan connector to PWM or DC Mode manually.



Default PWM Mode fan connectors



CPU_FAN1/ PUMP_FAN1

Default Auto Mode fan connectors



SYS_FAN6~7

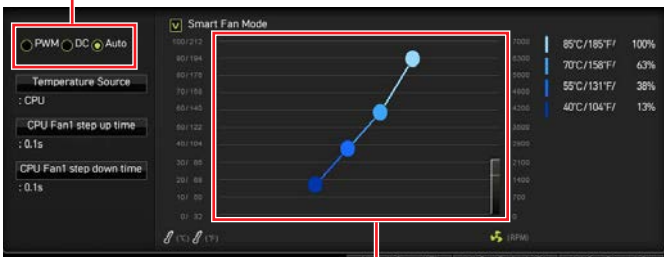


SYS_FAN1~5

Switching fan mode and adjusting fan speed

You can switch between PWM mode and DC mode and adjust fan speed in **BIOS > HARDWARE MONITOR**.

Select **PWM** mode or **DC** mode



There are gradient points of the fan speed that allow you to adjust fan speed in relation to CPU temperature.

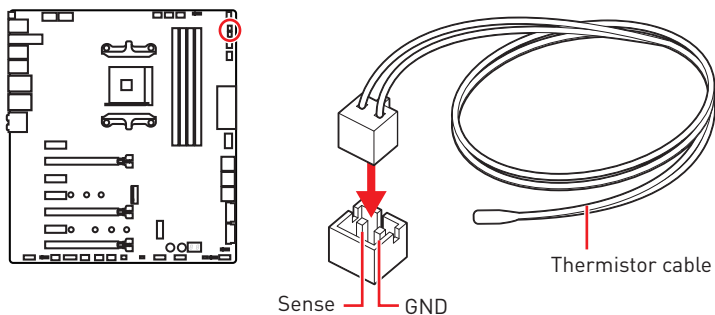
Pin definition of fan connectors

PWM Mode pin definition			
1	Ground	2	+12V
3	Sense	4	Speed Control Signal

DC Mode pin definition			
1	Ground	2	Voltage Control
3	Sense	4	NC

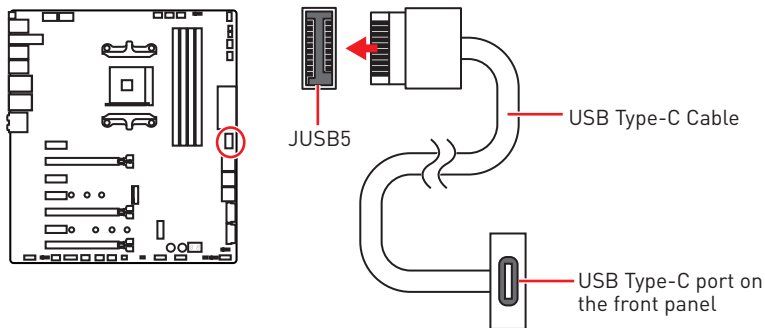
T_SEN1~2: Thermal Sensor Connectors

These connectors allow you to connect the thermistor cable and use it to monitor the temperature of the detection point.



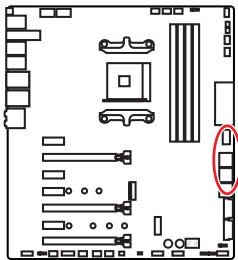
JUSB5: USB 3.2 Gen2 Type-C Connector

This connector allows you to connect the USB 3.2 Gen2 Type-C connector on the front panel. The connector possesses a foolproof design. When you connect the cable, be sure to connect it with the corresponding orientation.



JUSB3~4: USB 3.2 Gen1 Connectors

These connectors allow you to connect USB 3.2 Gen1 ports on the front panel.



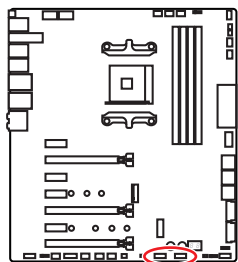
1	Power	11	USB2.0+
2	USB3_RX_DN	12	USB2.0-
3	USB3_RX_DP	13	Ground
4	Ground	14	USB3_TX_C_DP
5	USB3_TX_C_DN	15	USB3_TX_C_DN
6	USB3_TX_C_DP	16	Ground
7	Ground	17	USB3_RX_DP
8	USB2.0-	18	USB3_RX_DN
9	USB2.0+	19	Power
10	NC	20	No Pin

Important

Note that the Power and Ground pins must be connected correctly to avoid possible damage.

JUSB1~2: USB 2.0 Connectors

These connectors allow you to connect USB 2.0 ports on the front panel.



1	VCC	2	VCC
3	USB0-	4	USB1-
5	USB0+	6	USB1+
7	Ground	8	Ground
9	No Pin	10	NC

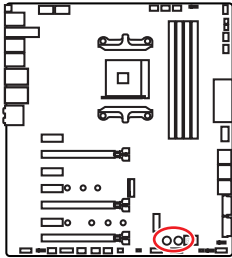
Important

Note that the VCC and Ground pins must be connected correctly to avoid possible damage.

In order to recharge your iPad, iPhone and iPod through USB ports, please install MSI CREATOR CENTER utility.

POWER1, RESET1: Power Button, Reset Button

The Power / Reset button allows you to power on / reset the computer.



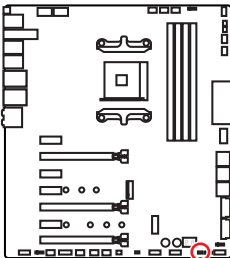
Reset button



Power button

JBAT1: Clear CMOS (Reset BIOS) Jumper

There is CMOS memory onboard that is external powered from a battery located on the motherboard to save system configuration data. If you want to clear the system configuration, set the jumper to clear the CMOS memory.



Keep Data
(default)



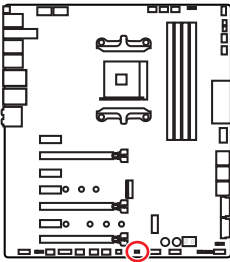
Clear CMOS/
Reset BIOS

Resetting BIOS to default values

1. Power off the computer and unplug the power cord
2. Use a jumper cap to short JBAT1 for about 5-10 seconds.
3. Remove the jumper cap from JBAT1.
4. Plug the power cord and power on the computer.

JCI1: Chassis Intrusion Connector

This connector allows you to connect the chassis intrusion switch cable.



Normal
(default)



Trigger the chassis
intrusion event

Using chassis intrusion detector

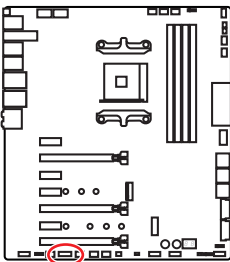
1. Connect the **JCI1** connector to the chassis intrusion switch/ sensor on the chassis.
2. Close the chassis cover.
3. Go to **BIOS > SETTINGS > Security > Chassis Intrusion Configuration**.
4. Set **Chassis Intrusion** to **Enabled**.
5. Press **F10** to save and exit and then press the **Enter** key to select **Yes**.
6. Once the chassis cover is opened again, a warning message will be displayed on screen when the computer is turned on.

Resetting the chassis intrusion warning

1. Go to **BIOS > SETTINGS > Security > Chassis Intrusion Configuration**.
2. Set **Chassis Intrusion** to **Reset**.
3. Press **F10** to save and exit and then press the **Enter** key to select **Yes**.

JTPM1: TPM Module Connector

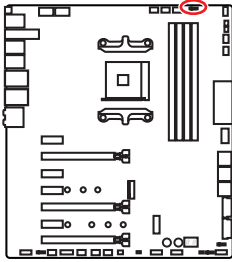
This connector is for TPM (Trusted Platform Module). Please refer to the TPM security platform manual for more details and usages.



1	LPC Clock	2	3V Standby power
3	LPC Reset	4	3.3V Power
5	LPC address & data pin0	6	Serial IRQ
7	LPC address & data pin1	8	5V Power
9	LPC address & data pin2	10	No Pin
11	LPC address & data pin3	12	Ground
13	LPC Frame	14	Ground

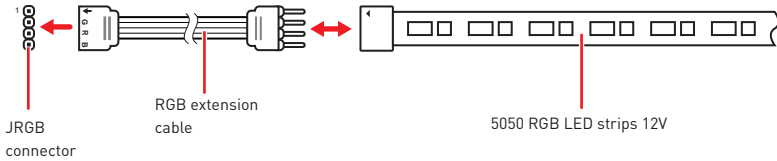
JRGB1: RGB LED connector

The JRGB connector allows you to connect the 5050 RGB LED strips 12V.

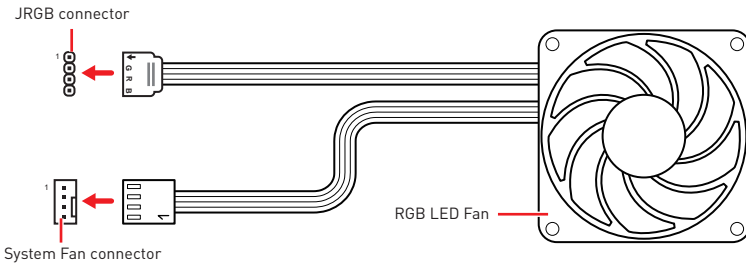


1			
1	+12V	2	G
3	R	4	B

RGB LED Strip Connection



RGB LED Fan Connection

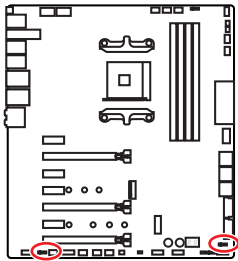


Important

- The JRGB connector supports up to 2 meters continuous 5050 RGB LED strips (12V/G/R/B) with the maximum power rating of 3A (12V).
- Always turn off the power supply and unplug the power cord from the power outlet before installing or removing the RGB LED strip.
- Please use MSI's software to control the extended LED strip.

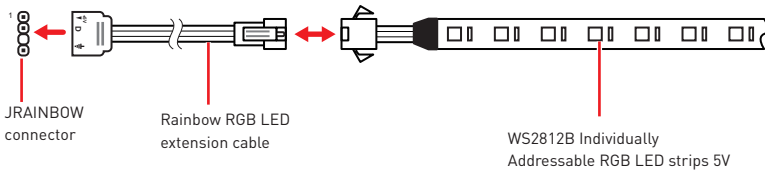
JRAINBOW1~2: Addressable RGB LED connectors

The JRAINBOW connectors allow you to connect the WS2812B Individually Addressable RGB LED strips 5V.

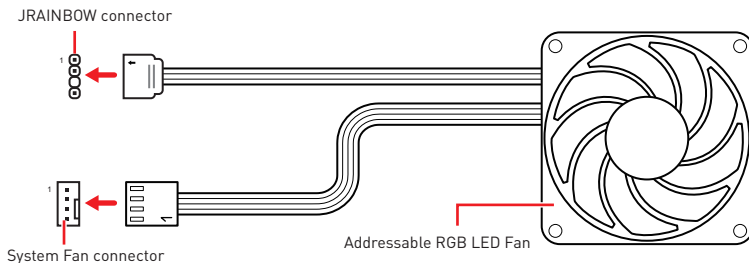


1			
1	+5V	2	Data
3	No Pin	4	Ground

Addressable RGB LED Strip Connection



Addressable RGB LED Fan Connection



CAUTION

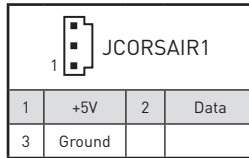
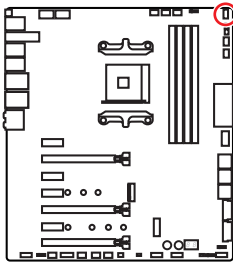
Do not connect the wrong type of LED strips. The JRGB connector and the JRAINBOW connector provide different voltages, and connecting the 5V LED strip to the JRGB connector will result in damage to the LED strip.

Important

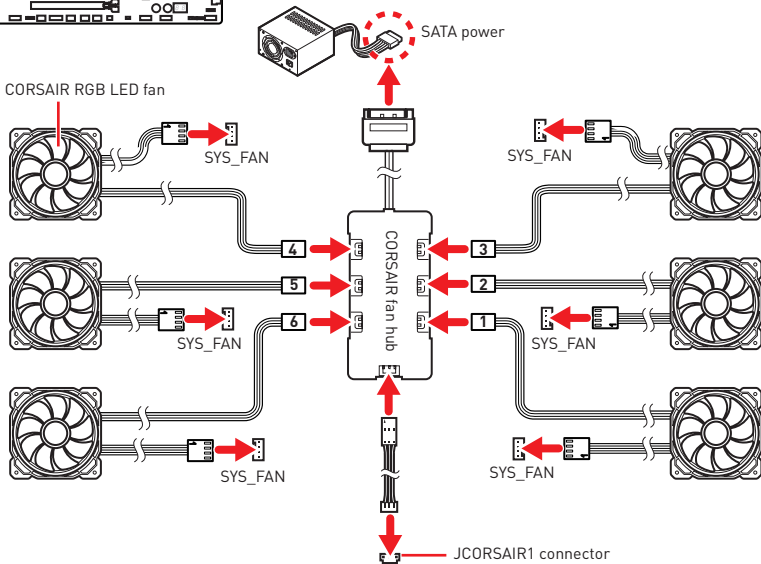
- The JRAINBOW connector supports up to 75 LEDs WS2812B Individually Addressable RGB LED strips (5V/Data/Ground) with the maximum power rating of 3A (5V). In the case of 20% brightness, the connector supports up to 200 LEDs.
- Always turn off the power supply and unplug the power cord from the power outlet before installing or removing the RGB LED strip.
- Please use MSI's software to control the extended LED strip.

JCORSAIR1: CORSAIR Connector

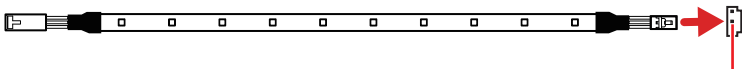
The JCORSAIR1 connector allows you to connect the CORSAIR Individually Addressable RGB LED strips 5V or CORSAIR RGB LED fans with the CORSAIR fan hub. Once all items are connected properly, you can control the CORSAIR RGB LED strips and fans with MSI's software.



CORSAIR RGB LED Fan Connection



CORSAIR Lighting Node PRO Connection



JCORSAIR1 connector

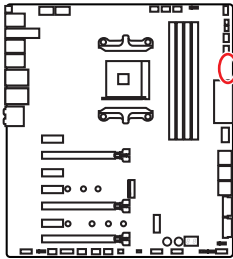
! Important

- Fans must start at 1 and continue in series. 1 > 2 > 3 > 4 > 5 > 6. Any fan not connected in series will break communication and the RGB LED lighting function will not work.
- Quantity of RGB LED Fans or RGB LED Lighting PRO strips supported may differ between models. Please refer to the motherboard specification.
- CORSAIR RGB LED Fan and CORSAIR Lighting Node PRO can't be used at the same time.

Onboard LEDs

EZ Debug LED

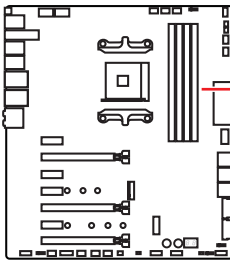
These LEDs indicate the debug status of the motherboard.



- CPU** - indicates CPU is not detected or fail.
- DRAM** - indicates DRAM is not detected or fail.
- VGA** - indicates GPU is not detected or fail.
- BOOT** - indicates the booting device is not detected or fail.

A-XMP LED

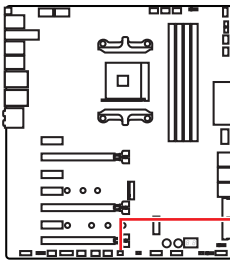
This LED indicates the A-XMP (Extreme Memory Profile) mode is enabled.



A-XMP LED

JPWRLED1: LED power input

This connector is used by retailers to demonstrate onboard LED light effects.



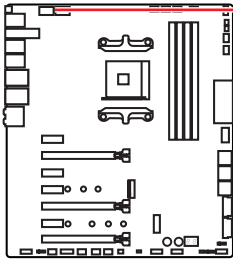
JPWRLED1 - LED power input

CPU Power LED

This LED indicates that the 8-pin CPU power connectors (CPU_PWR1 and CPU_PWR2) are only connected to the 4-pin power connector.



When the CPU Power LED is lit, your computer may be started, but insufficient power may cause system stability issues.

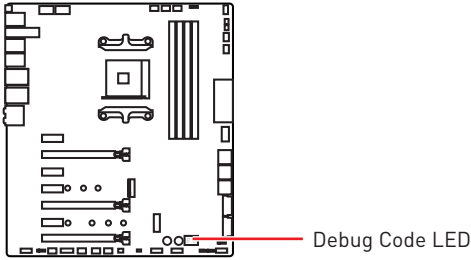


CPU Power LED

LED color	CPU power connectors status
Red	<p>CPU_PWR1 CPU_PWR2</p>
	<p>CPU_PWR1 CPU_PWR2</p>
	<p>CPU_PWR1 CPU_PWR2</p>
Off	<p>CPU_PWR1 CPU_PWR2</p>
	<p>CPU_PWR1 CPU_PWR2</p>
	<p>CPU_PWR1 CPU_PWR2</p>
	<p>CPU_PWR1 CPU_PWR2</p>
	<p>CPU_PWR1 CPU_PWR2</p>

Debug Code LED

The Debug Code LED displays progress and error codes during and after POST. Refer to the Debug Code LED table for details.



Hexadecimal Character Table

Hexadecimal	0	1	2	3	4	5	6	7	8	9	A	B	C	D	E	F
Debug Code LED display	0	1	2	3	4	5	6	7	8	9	A	b	C	d	E	F

Boot Phases

Security (SEC) – initial low-level initialization

Pre-EFI Initialization (PEI) – memory initialization

Driver Execution Environment (DXE) – main hardware initialization

Boot Device Selection (BDS) – system setup, pre-OS user interface & selecting a bootable device (CD/DVD, HDD, USB, Network, Shell, ...)

Debug Code LED Table

SEC Progress Codes

01	Power on. Reset type detection (soft/hard)
02	AP initialization before microcode loading
03	System Agent initialization before microcode loading
04	PCH initialization before microcode loading
06	Microcode loading
07	AP initialization after microcode loading
08	System Agent initialization after microcode loading
09	PCH initialization after microcode loading
0B	Cache initialization

SEC Error Codes

0C - 0D	Reserved for future AMI SEC error codes
0E	Microcode not found
0F	Microcode not loaded

PEI Progress Codes

10	PEI Core is started
11	Pre-memory CPU initialization is started
12 - 14	Pre-memory CPU initialization (CPU module specific)
15	Pre-memory System Agent initialization is started
16 - 18	Pre-Memory System Agent initialization (System Agent module specific)
19	Pre-memory PCH initialization is started
1A - 1C	Pre-memory PCH initialization (PCH module specific)
2B	Memory initialization. Serial Presence Detect (SPD) data reading
2C	Memory initialization. Memory presence detection
2D	Memory initialization. Programming memory timing information
2E	Memory initialization. Configuring memory
2F	Memory initialization (other)
31	Memory Installed
32	CPU post-memory initialization is started
33	CPU post-memory initialization. Cache initialization
34	CPU post-memory initialization. Application Processor(s) (AP) initialization
35	CPU post-memory initialization. Boot Strap Processor (BSP) selection
36	CPU post-memory initialization. System Management Mode (SMM) initialization
37	Post-Memory System Agent initialization is started
38 - 3A	Post-Memory System Agent initialization (System Agent module specific)
3B	Post-Memory PCH initialization is started
3C - 3E	Post-Memory PCH initialization (PCH module specific)
4F	DXE IPL is started

PEI Error Codes

4B	Memory not installed (For Summit CPU)
E0	Memory not installed (For Bristol CPU)

DXE Progress Codes

60	DXE Core is started
61	NVRAM initialization
62	Installation of the PCH Runtime Services
63	CPU DXE initialization is started

64 - 67	CPU DXE initialization (CPU module specific)
68	PCI host bridge initialization
69	System Agent DXE initialization is started
6A	System Agent DXE SMM initialization is started
6B - 6F	System Agent DXE initialization (System Agent module specific)
70	PCH DXE initialization is started
71	PCH DXE SMM initialization is started
72	PCH devices initialization
73 - 77	PCH DXE Initialization (PCH module specific)
78	ACPI module initialization
79	CSM initialization
7A - 7F	Reserved for future AMI DXE codes
90	Boot Device Selection (BDS) phase is started
91	Driver connecting is started
92	PCI Bus initialization is started
93	PCI Bus Hot Plug Controller Initialization
94	PCI Bus Enumeration 32
95	PCI Bus Request Resources
96	PCI Bus Assign Resources
97	Console Output devices connect
98	Console input devices connect
99	Super IO Initialization
9A	USB initialization is started
9B	USB Reset
9C	USB Detect
9D	USB Enable
9E -9F	Reserved for future AMI codes
A0	IDE initialization is started
A1	IDE Reset
A2	IDE Detect
A3	IDE Enable
A4	SCSI initialization is started
A5	SCSI Reset
A6	SCSI Detect
A7	SCSI Enable
A8	Setup Verifying Password
A9	Start of Setup
AB	Setup Input Wait

AD	Ready To Boot event
AE	Legacy Boot event
AF	Exit Boot Services event
B0	Runtime Set Virtual Address MAP Begin
B1	Runtime Set Virtual Address MAP End
B2	Legacy Option ROM Initialization
B3	System Reset
B4	USB hot plug
B5	PCI bus hot plug
B6	Clean-up of NVRAM
B7	Configuration Reset (reset of NVRAM settings)
B8 - BF	Reserved for future AMI codes

DXE Error Codes

D0	CPU initialization error
D1	System Agent initialization error
D2	PCH initialization error
D3	Some of the Architectural Protocols are not available
D4	PCI resource allocation error. Out of Resources
D5	No Space for Legacy Option ROM
D6	No Console Output Devices are found
D7	No Console Input Devices are found
D8	Invalid password
D9	Error loading Boot Option (LoadImage returned error)
DA	Boot Option is failed (StartImage returned error)
DB	Flash update is failed
DC	Reset protocol is not available

S3 Resume Progress Codes

E0	S3 Resume is started (S3 Resume PPI is called by the DXE IPL)
E1	S3 Boot Script execution
E2	Video repost
E3	OS S3 wake vector call
E4 - E7	Reserved for future AMI progress codes

S3 Resume Error Codes

E8	S3 Resume Failed
E9	S3 Resume PPI not Found
EA	S3 Resume Boot Script Error

EB	S3 OS Wake Error
EC - EF	Reserved for future AMI error codes

Recovery Progress Codes

F0	Recovery condition triggered by firmware (Auto recovery)
F1	Recovery condition triggered by user (Forced recovery)
F2	Recovery process started
F3	Recovery firmware image is found
F4	Recovery firmware image is loaded
F5 - F7	Reserved for future AMI progress codes

Recovery Error Codes

F8	Recovery PPI is not available
F9	Recovery capsule is not found
FA	Invalid recovery capsule
FB - FF	Reserved for future AMI error codes

ACPI States Codes

The following codes appear after booting and the operating system into ACPI modes.

01	System is entering S1 sleep state
02	System is entering S2 sleep state
03	System is entering S3 sleep state
04	System is entering S4 sleep state
05	System is entering S5 sleep state
10	System is waking up from the S1 sleep state
20	System is waking up from the S2 sleep state
30	System is waking up from the S3 sleep state
40	System is waking up from the S4 sleep state
AC	System has transitioned into ACPI mode. Interrupt controller is in PIC mode.
AA	System has transitioned into ACPI mode. Interrupt controller is in APIC mode.

Installing OS, Drivers & Utilities

Please download and update the latest utilities and drivers at www.msi.com

Installing Windows® 10

1. Power on the computer.
2. Insert the Windows® 10 installation disc/USB into your computer.
3. Press the **Restart** button on the computer case.
4. Press **F11** key during the computer POST (Power-On Self Test) to get into Boot Menu.
5. Select the Windows® 10 installation disc/USB from the Boot Menu.
6. Press any key when screen shows **Press any key to boot from CD or DVD...** message.
7. Follow the instructions on the screen to install Windows® 10.

Installing Drivers

1. Start up your computer in Windows® 10.
2. Insert MSI® Driver Disc into your optical drive.
3. Click the **Select to choose what happens with this disc** pop-up notification, then select **Run DVDSetup.exe** to open the installer. If you turn off the AutoPlay feature from the Windows Control Panel, you can still manually execute the **DVDSetup.exe** from the root path of the MSI Driver Disc.
4. The installer will find and list all necessary drivers in the **Drivers/Software** tab.
5. Click the **Install** button in the lower-right corner of the window.
6. The drivers installation will then be in progress, after it has finished it will prompt you to restart.
7. Click **OK** button to finish.
8. Restart your computer.

Installing Utilities

Before you install utilities, you must complete drivers installation.

1. Open the installer as described above.
2. Click the **Utilities** tab.
3. Select the utilities you want to install.
4. Click the **Install** button in the lower-right corner of the window.
5. The utilities installation will then be in progress, after it has finished it will prompt you to restart.
6. Click **OK** button to finish.
7. Restart your computer.

BIOS Setup

The default settings offer the optimal performance for system stability in normal conditions. You should **always keep the default settings** to avoid possible system damage or failure booting unless you are familiar with BIOS.



Important

- BIOS items are continuously update for better system performance. Therefore, the description may be slightly different from the latest BIOS and should be for reference only. You could also refer to the **HELP** information panel for BIOS item description.
- The pictures in this chapter are for reference only and may vary from the product you purchased.

Entering BIOS Setup

Press **Delete** key, when the **Press DEL key to enter Setup Menu, F11 to enter Boot Menu** message appears on the screen during the boot process.

Function key

- F1:** General Help
 - F2:** Add/ Remove a favorite item
 - F3:** Enter Favorites menu
 - F4:** Enter CPU Specifications menu
 - F5:** Enter Memory-Z menu
 - F6:** Load optimized defaults
 - F7:** Switch between Advanced mode and EZ mode
 - F8:** Load Overclocking Profile
 - F9:** Save Overclocking Profile
 - F10:** Save Change and Reset*
 - F12:** Take a screenshot and save it to USB flash drive (FAT/ FAT32 format only).
- Ctrl+F:** Enter Search page

* When you press F10, a confirmation window appears and it provides the modification information. Select between Yes or No to confirm your choice.

Resetting BIOS

You might need to restore the default BIOS setting to solve certain problems. There are several ways to reset BIOS:

- Go to BIOS and press **F6** to load optimized defaults.
- Short the **Clear CMOS** jumper on the motherboard.



*Be sure the computer is off before clearing CMOS data. Please refer to the **Clear CMOS** jumper section for resetting BIOS.*

Updating BIOS

Updating BIOS with M-FLASH

Before updating:

Please download the latest BIOS file that matches your motherboard model from MSI website. And then save the BIOS file into the USB flash drive.

Updating BIOS:

1. Insert the USB flash drive that contains the update file into the USB port.
2. Please refer the following methods to enter flash mode.
 - Reboot and press **Ctrl + F5** key during POST and click on **Yes** to reboot the system.
 - Reboot and press **Del** key during POST to enter BIOS. Click the **M-FLASH** button and click on **Yes** to reboot the system.
3. Select a BIOS file to perform the BIOS update process.
4. When prompted, switch to the target BIOS ROM with **Multi-BIOS switch**, and click on **Yes** to start recovering BIOS.
5. After the flashing process is 100% completed, the system will reboot automatically.

Updating the BIOS with MSI CREATOR CENTER

Before updating:

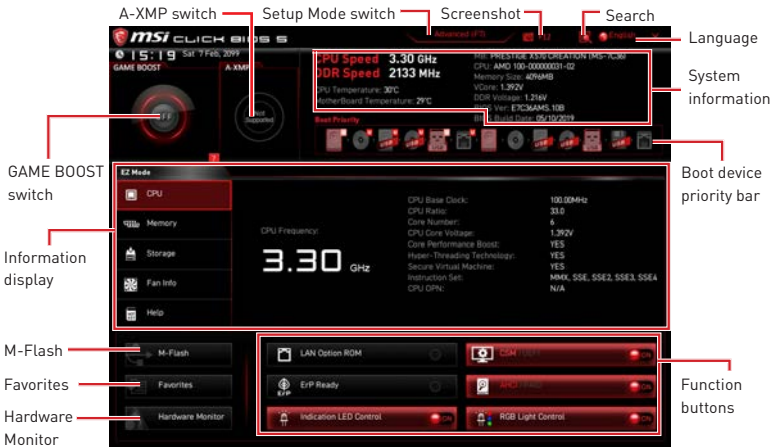
Make sure the LAN driver is already installed and the Internet connection is set properly.

Updating BIOS:

1. Install and launch MSI CREATOR CENTER.
2. Select **BIOS Update**.
3. Click on **Scan** button.
4. Click on **Download** icon to download and install the latest BIOS file.
5. Click **Next** and choose **In Windows mode**. And then click **Next** and **Start** to start updating BIOS.
6. After the flashing process is 100% completed, the system will restart automatically.

EZ Mode

At EZ mode, it provides the basic system information and allows you to configure the basic setting. To configure the advanced BIOS settings, please enter the Advanced Mode by pressing the **Setup Mode switch** or **F7** function key.



- **GAME BOOST switch** - click on it to toggle the GAME BOOST for OC.

Important

Please don't make any changes in OC menu and don't load defaults to keep the optimal performance and system stability after activating the GAME Boost function.

- **A-XMP switch (optional)** - click on the inner circle to enable/ disable the A-XMP. Switch the outer circle to select the memory profile if any. This switch will only be available if the installed processor and memory modules support this function.
- **Setup Mode switch** - press this tab or the **F7** key to switch between Advanced mode and EZ mode.
- **Screenshot** - click on this tab or the **F12** key to take a screenshot and save it to USB flash drive (FAT/ FAT32 format only).
- **Search** - click on this tab or the **Ctrl+F** keys and the search page will show. It allows you to search by BIOS item name, enter the item name to find the item listing. Move the mouse over a blank space and right click the mouse to exit search page.

Important

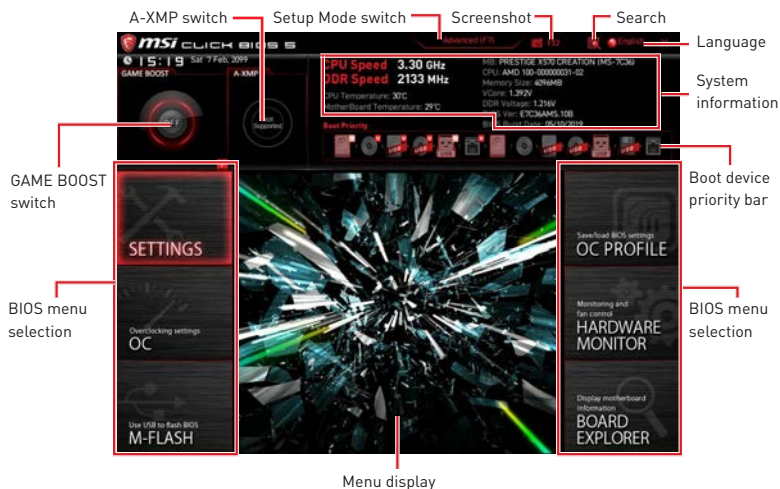
In search page, only the F6, F10 and F12 function keys are available.

- **Language** - allows you to select the language of BIOS setup.
- **System information** - shows the CPU/ DDR speed, CPU/ MB temperature, MB/ CPU type, memory size, CPU/ DDR voltage, BIOS version and build date.
- **Boot device priority bar** - you can move the device icons to change the boot priority. The boot priority from high to low is left to right.

- **Information display** - click on the **CPU, Memory, Storage, Fan Info** and **Help** buttons on left side to display related information.
- **Function buttons** - enable or disable the **LAN Option ROM, CSM/UEFI, ErP Ready, AHCI, RAID, Indication LED Control** and **RGB Light Control** by clicking on their respective button.
- **M-Flash** - click on this button to display the **M-Flash** menu that provides the way to update BIOS with a USB flash drive.
- **Hardware Monitor** - click on this button to display the **Hardware Monitor** menu that allows you to manually control the fan speed by percentage.
- **Favorites** - press the **Favorites** tab or the **F3** key to enter **Favorites** menu. It allows you to create personal BIOS menu where you can save and access favorite/ frequently-used BIOS setting items.
 - **Default HomePage** - allows you to select a BIOS menu (e.g. SETTINGS, OC...,etc) as the BIOS home page.
 - **Favorite1~5** - allows you to add the frequently-used/ favorite BIOS setting items in one page.
 - **To add a BIOS item to a favorite page (Favorite 1~5)**
 1. Move the mouse over a BIOS item not only on BIOS menu but also on search page.
 2. Right-click or press **F2** key.
 3. Choose a favorite page and click on **OK**.
 - **To delete a BIOS item from favorite page**
 1. Move the mouse over a BIOS item on favorite page (Favorite 1~5)
 2. Right-click or press **F2** key.
 3. Choose **Delete** and click on **OK**.

Advanced Mode

Press **Setup Mode switch** or **F7** function key can switch between EZ Mode and Advanced Mode in BIOS setup.



- **BIOS menu selection** - the following options are available:
 - **SETTINGS** - allows you to specify the parameters for chipset and boot devices.
 - **OC** - allows you to adjust the frequency and voltage. Increasing the frequency may get better performance.
 - **M-FLASH** - provides the way to update BIOS with a USB flash drive.
 - **OC PROFILE** - allows you to manage overclocking profiles.
 - **HARDWARE MONITOR** - allows you to set the speeds of fans and monitor voltages of system.
 - **BOARD EXPLORER** - provides the information of installed devices on this motherboard.
- **Menu display** - provides BIOS setting items and information to be configured.

OC Menu

This menu is for advanced users who want to overclock the motherboard.



Important

- Overclocking your PC manually is only recommended for advanced users.
- Overclocking is not guaranteed, and if done improperly, it could void your warranty or severely damage your hardware.
- If you are unfamiliar with overclocking, we advise you to use **GAME BOOST** function for easy overclocking.
- The BIOS items in OC menu will vary with the processor.

► **OC Explore Mode [Normal]**

Enables or disables to show the normal or expert version of OC settings.

[Normal] Provides the regular OC settings in BIOS setup.

[Expert] Provides the advanced OC settings for OC expert to configure in BIOS setup.

Note: We use * as the symbol for the OC settings of Expert mode.

► **CPU Ratio [Auto]**

Sets the CPU ratio that is used to determine CPU clock speed. This item can only be changed if the processor supports this function.

► **Advanced CPU Configuration**

Press **Enter** to enter the sub-menu. User can set the parameters about CPU power/ current. The system may become unstable or unbootable after changing the parameters. If it occurs, please clear the CMOS data and restore the default settings.

► **A-XMP [Disabled]**

Please enable A-XMP or select a profile of memory module for overclocking the memory. This item will be available when the installed memory modules, processor and motherboard support this function.

► **DRAM Frequency [Auto]**

Sets the DRAM frequency. Please note the overclocking behavior is not guaranteed.

▶ **Memory Try It ! [Disabled]**

It can improve memory compatibility or performance by choosing optimized memory preset.

▶ **Memory Retry Count [5]**

Sets counts for memory OC retrying. When memory OC has failed, setting this item as [5] will allow system to reboot 5 times with the same overclocked configuration. If overclocking has failed every time, the system will restore the defaults.

▶ **Advanced DRAM Configuration (optional)**

Press **Enter** to enter the sub-menu. User can set the memory timing for each/ all memory channel. The system may become unstable or unbootable after changing memory timing. If it occurs, please clear the CMOS data and restore the default settings. (Refer to the Clear CMOS jumper/ button (optional) section to clear the CMOS data, and enter the BIOS to load the default settings.)

▶ **DigitALL Power**

Press **Enter** to enter the sub-menu. Controls the digital powers related to CPU PWM.

▶ **CPU Voltages control [Auto]**

These options allows you to set the voltages related to CPU. If set to **Auto**, BIOS will set these voltages automatically or you can set it manually.

▶ **DRAM Voltages control [Auto]**

These options allows you to set the voltages related to memory. If set to **Auto**, BIOS will set these voltages automatically or you can set it manually.

▶ **Memory Changed Detect [Enabled]***

Enables or disables the system to issue a warning message during boot when the memory has been replaced.

[Enabled] The system will issue a warning message during boot and then you have to load the default settings for new devices.

[Disabled] Disables this function and keeps the current BIOS settings.

▶ **CPU Specifications**

Press **Enter** to enter the sub-menu. This sub-menu displays the information of installed CPU. You can also access this information menu at any time by pressing [F4]. Read only.

▶ **CPU Technology Support**

Press **Enter** to enter the sub-menu. The sub-menu shows the key features of installed CPU. Read only.

▶ **MEMORY-Z**

Press **Enter** to enter the sub-menu. This sub-menu displays all the settings and timings of installed memory. You can also access this information menu at any time by pressing [F5].

▶ **DIMMx Memory SPD**

Press **Enter** to enter the sub-menu. The sub-menu displays the information of installed memory. Read only.

► CPU Features

Press **Enter** to enter the sub-menu.

► Simultaneous Multi-Threading [Enabled] (optional)

Enables/ disables the AMD Simultaneous Multi-Threading. This item appears when the installed CPU supports this technology.

► Global C-state Control [Enabled] (optional)

Enables/ disables IO based C-state generation and DF C-states.

► Opcache Control [Auto] (optional)

Enables/ disables Opcache. Opcache stores recently decode instruction to save the decoding time when the instruction is repeated. And it may increase the CPU performance and reduce the power consumption slightly.

► IOMMU Mode (optional)

Enables/disables the IOMMU (I/O Memory Management Unit) for I/O Virtualization.

► Spread Spectrum (optional)

This function reduces the EMI (Electromagnetic Interference) generated by modulating clock generator pulses.

[Enabled] Enables the spread spectrum function to reduce the EMI (Electromagnetic Interference) problem.

[Disabled] Enhances the overclocking ability of CPU Base clock.



Important

• If you do not have any EMI problem, leave the setting at [Disabled] for optimal system stability and performance. But if you are plagued by EMI, select the value of Spread Spectrum for EMI reduction.

• The greater the Spread Spectrum value is, the greater the EMI is reduced, and the system will become less stable. For the most suitable Spread Spectrum value, please consult your local EMI regulation.

• Remember to disable Spread Spectrum if you are overclocking because even a slight jitter can introduce a temporary boost in clock speed which may just cause your overclocked processor to lock up.

► AMD Cool' n' Quiet [Enabled]

The Cool' n' Quiet technology can effectively and dynamically lower CPU speed and power consumption.

► SVM Mode [Disabled]

Enables/ disables the AMD SVM (Secure Virtual Machine) Mode.

► Power Supply Idle Control [Auto] (optional)

It allows you to select the power-saving control mode for CPU when all cores are in a non-C0 state. If set to **Auto**, BIOS will configure this settings.

Table des matières

Informations de sécurité	3
Spécifications	4
Spécifications du connecteur JCORSAIR1	10
Contenu	11
Panneau arrière Entrée/ Sortie	12
Tableau explicatif de l' état de la LED du port LAN	12
Configuration des ports audio.....	12
Realtek Audio Console	13
Vue d' ensemble des composants	16
Socket processeur	17
Slots DIMM	18
PCI_E1~7 : Slots d' extension PCIe	19
M2_1~2 : Slots M.2 (Touche M).....	22
JAUD1 : Connecteur audio avant.....	23
Installation du M.2 XPANDER-Z GEN 4	24
JFP1, JFP2 : Connecteurs de panneau avant	26
SATA1~6 : Connecteurs SATA 6Gb/s.....	26
CPU_PWR1~2, ATX_PWR1 : Connecteurs d' alimentation	27
CPU_FAN1, PUMP_FAN1, SYS_FAN1~7 : Connecteurs pour ventilateurs.....	28
T_SEN1~2 : Connecteurs de capteur thermique	29
JUSB5 : Connecteur USB 3.2 Gen2 Type-C	29
JUSB3~4 : Connecteurs USB 3.2 Gen1	30
JUSB1~2 : Connecteurs USB 2.0	30
POWER1, RESET1 : Boutons d' alimentation et de réinitialisation.....	31
JBAT1 : Cavalier Clear CMOS (Réinitialisation BIOS)	31
JCI1 : Connecteur intrusion châssis	32
JTPM1 : Connecteur de module TPM.....	32
JRGB1 : Connecteur LED RGB	33
JRAINBOW1~2 : Connecteurs LED RGB adressables.....	34
JCORSAIR1 : Connecteur CORSAIR	35
Indicateurs LED embarqués	36
EZ Debug LED.....	36
Indicateur LED du mode A-XMP.....	36
JPWLED1 : Indicateur LED de l' entrée d' alimentation.....	36
Voyant LED d' alimentation du processeur	37
Debug Code LED.....	38
Tableau des caractères hexadécimaux	38

Phase de démarrage	38
Tableau de Debug Code LED	38
Codes d' état ACPI	42
Installer OS, Pilotes & Utilitaires	43
Installer Windows® 10	43
Installer les pilotes	43
Installer les utilitaires	43
Configuration du BIOS	44
Entrer dans l' interface Setup du BIOS	44
Réinitialiser le BIOS.....	45
Mettre le BIOS à jour	45
EZ Mode	46
Advanced Mode (mode avancé)	48
OC Menu (menu overclocking).....	49

Informations de sécurité

- Les composants dans l' emballage peuvent être endommagés par des décharges électrostatiques (ESD). Pour vous assurer de correctement monter votre ordinateur, veuillez vous référer aux instructions ci-dessous.
- Assurez-vous de bien connecter tous les composants. En cas de mauvaise connexion, il se peut que l' ordinateur ne reconnaisse pas le composant et que le démarrage échoue.
- Veuillez tenir la carte mère par les bords pour éviter de toucher les composants sensibles.
- Il est recommandé de porter un bracelet antistatique lors de la manipulation de la carte mère pour prévenir tout dommage. Si vous n' avez pas de bracelet antistatique, touchez un objet métallique relié à la terre avant de manipuler la carte mère afin de vous décharger de votre charge statique. Touchez régulièrement l' objet métallique pendant toute la manipulation.
- Tant que la carte mère n' est pas installée, conservez-la dans un récipient protégé contre les ondes électrostatiques ou sur une couche antistatique.
- Avant de démarrer l' ordinateur, vérifiez si toutes les vis et les composants métalliques sont bien fixés sur la carte mère ou ailleurs dans le boîtier de l' ordinateur.
- Ne démarrez pas l' ordinateur avant d' avoir terminé l' installation. Ceci peut endommager les composants ou vous blesser.
- Si vous avez besoin d' aide pendant l' installation, veuillez consulter un technicien informatique certifié.
- Avant d' installer les composants d' ordinateur, veuillez toujours mettre hors tension et débrancher le cordon d' alimentation.
- Gardez ce manuel pour références futures.
- Protégez ce manuel contre l' humidité.
- Avant de brancher le bloc d' alimentation sur la sortie électrique, veuillez vous assurer que la tension de la sortie électrique est bien égale à celle du bloc d' alimentation.
- Placez le cordon d' alimentation de façon à éviter que l' on marche dessus. Ne posez rien sur le cordon d' alimentation.
- Veuillez prêter attention à toutes les alertes et remarques indiquées sur la carte mère.
- Dans un cas comme ci-dessous, faites appel au service autorisé pour vérifier votre carte mère :
 - Un liquide a pénétré dans l' ordinateur.
 - La carte mère a été exposée à de l' humidité.
 - La carte mère ne fonctionne pas comme indiqué dans les instructions.
 - La carte mère est tombée par terre et a été endommagée.
 - La carte mère est cassée.
- Ne pas mettre la carte mère dans un environnement dont la température est supérieure à 60°C (140°F) sous peine de l'endommager.

Spécifications

CPU	Socket AM4 pour processeurs AMD Ryzen™ de 2ème et 3ème génération/ Ryzen™ avec cœurs graphiques Radeon™ Vega/ AMD Ryzen™ avec cœurs graphiques Radeon™ de 2ème génération
Chipset	Chipset AMD® X570
Mémoire	<ul style="list-style-type: none">• 4 x slots pour mémoire DDR4, support jusqu' à 128GO (selon le processeur)<ul style="list-style-type: none">▪ Support 1866/ 2133/ 2400/ 2666Mhz par JEDEC, 2666/ 2800/ 2933/ 3000/ 3066/ 3200/ 3466/ 3600/ 3733 /3866/ 4000/ 4133/ 4266/ 4400/ 4533 en mode A-XMP OC• Architecture mémoire double canal• Support mémoire non-ECC UDIMM• Support mémoire ECC UDIMM (mode non-ECC)• Support mémoire un-buffered <p>* Veuillez vous référer au site www.msi.com pour plus d' informations sur la mémoire compatible.</p>
Slots d' extension	<ul style="list-style-type: none">• 2 x slot PCIe 4.0/3.0 x16 (PCI_E2, PCI_E5)<ul style="list-style-type: none">▪ AMD Ryzen™ de 3ème génération support les modes PCIe 4.0 x16/x0, x8/x8▪ AMD Ryzen™ de 2ème génération support les modes PCIe 3.0x16/x0, x8/x8▪ Ryzen™ avec cœurs graphiques Radeon™ Vega et AMD Ryzen™ avec cœurs graphiques Radeon™ de 2ème génération supportent les modes PCIe 3.0 x8/x0• 1 x slot PCIe 4.0/3.0 x16 (PCI_E7, Support les modes x 4)• 4 x slots PCIe 2.0 x1 <p>*Les vitesses peuvent varier selon les composants</p>
Multi-GPU	<ul style="list-style-type: none">• Support de la technologie NVIDIA® SLI™ 2-Way• Support de la technologie AMD® CrossFire™ 3-Way

Suite du tableau sur la page suivante

Suite du tableau sur la page précédente

Stockage	<ul style="list-style-type: none">• 6 x ports SATA 6Gb/s (Chipset AMD® X570)• 2 x slots M.2 (Touche M)*<ul style="list-style-type: none">▪ Le slot M2_1 (Processeur AMD®) support des périphériques de stockage PCIe 4.0 x 4 (des processeurs AMD Ryzen™ de 3ème génération) ou PCIe 3.0 x 4 (AMD Ryzen™ de 2ème génération/ Ryzen™ avec cœurs graphiques Radeon™ Vega/ AMD Ryzen™ avec cœurs graphiques Radeon™ de 2ème génération) 2242/2260/2280▪ Le slot M2_2 (Chipset AMD® X570) support PCIe 4.0 x 4 (AMD Ryzen™ de 3ème génération) ou 3.0 x 4 (AMD Ryzen™ de 2ème génération/ Ryzen™ avec cœurs graphiques Radeon™ Vega/ AMD Ryzen™ avec cœurs graphiques Radeon™ de 2ème génération) et des périphériques de stockage SATA 6Gb/s 2242/ 2260/ 2280/ 22110 <p>*Les vitesses peuvent varier selon les composants</p>
RAID	Chipset AMD® X570 <ul style="list-style-type: none">• Support RAID 0, RAID 1 et RAID 10
LAN	<ul style="list-style-type: none">• 1 x contrôleur Intel® I211AT Gigabit LAN• 1 x contrôleur Aquantia® AQC107 10-Gigabit LAN
WiFi & Bluetooth	Intel® Wi-Fi 6 AX200 <ul style="list-style-type: none">• Le module sans fil est pré-installé dans le slot M2_WIF1 (Touche E)• Support 802.11 a/b/g/n/ac/ax, MU-MIMO Rx, 2.4GHz- 5GHz (160MHz) jusqu' à 2.4Gbps• Support Bluetooth® 5

Suite du tableau sur la page suivante

Suite du tableau sur la page précédente

USB	<ul style="list-style-type: none">• Chipset AMD® X570<ul style="list-style-type: none">▪ 1 x USB 3.2 Gen2 (SuperSpeed USB 10Gbps) Type-C connecteur interne▪ 12 x ports USB 3.2 Gen1 (SuperSpeed USB) (8 ports Type-A sur le panneau arrière, 4 ports disponibles par l'intermédiaire des connecteurs USB 3.2 Gen1 internes)▪ 6 x ports USB 2.0 (High-speed USB) (2 ports Type-A sur le panneau arrière, 4 ports disponibles par l'intermédiaire des connecteurs USB 2.0 internes)• Processeur AMD®<ul style="list-style-type: none">▪ 2 x ports USB 3.2 Gen2 (AMD Ryzen™ de 3ème génération) ou USB 3.2 Gen1 (AMD Ryzen™ de 2ème génération/ Ryzen™ avec cœurs graphiques Radeon™ Vega/ AMD Ryzen™ avec cœurs graphiques Radeon™ de 2ème génération) Type-A et Type-C sur le panneau arrière▪ 2 x ports USB 3.2 Gen1 (SuperSpeed USB) Type-A sur le panneau arrière
Audio	<p>1 x Realtek® ALC1220 Codec</p> <ul style="list-style-type: none">• Audio haute définition 7.1• Support sortie S/PDIF
Connecteurs sur le panneau arrière	<ul style="list-style-type: none">• 1 x Bouton Clear CMOS• 1 x port combo clavier/ souris PS/2• 2 x ports USB 2.0• 2 x connecteurs d'antenne Wi-Fi• 10 x ports USB 3.2 Gen1 Type-A• 1 x port Gigabit LAN (RJ45)• 1 x port 10-Gigabit LAN (RJ45)• 2 x ports USB 3.2 Gen2 Type-A et Type-C (selon le processeur)• 5 x jacks OFC audio• 1 x connecteur Sortie S/PDIF optique


Suite du tableau sur la page suivante

Suite du tableau sur la page précédente

Connecteurs internes	<ul style="list-style-type: none"> • 1 x connecteur d' alimentation principal ATX 24 broches • 2 x connecteurs d' alimentation ATX 12V 8 broches • 6 x connecteurs SATA 6Gb/s • 2 x slots M.2 (Touche M) • 1 x port USB 3.2 Gen2 Type-C • 2 x connecteurs USB 3.2 Gen1 (support de 4 autres ports USB 3.2 Gen1) • 2 x connecteurs USB 2.0 (support de 4 autres ports USB 2.0) • 1 x connecteur de ventilateurs CPU 4 broches • 1 x connecteur de ventilateurs 4 broches pour la pompe à eau • 7 x connecteurs de ventilateurs système 4 broches • 1 x connecteur audio avant • 2 x connecteurs de panneau système • 1 x connecteur intrusion châssis • 1 x connecteur de module TPM • 2 x connecteurs à 2 broches pour capteur thermique • 1 x connecteur LED RGB 4 broches • 2 x connecteurs de LED RAINBOW 3 broches • 1 x connecteur de LED CORSAIR 3 broches
Boutons internes	<ul style="list-style-type: none"> • 1 x bouton d' alimentation • 1 x bouton de réinitialisation
Debug LED	<ul style="list-style-type: none"> • 1 x 2-Digit Debug Code LED • 4 x EZ Debug LED
Contrôleur E/S	Contrôleur NUVOTON NCT6797
Moniteur système	<ul style="list-style-type: none"> • Détection de la température du CPU, du système et du Chipset • Détection de la vitesse du ventilateur du CPU, du système et du Chipset • Contrôle de la vitesse du ventilateur du CPU, du système et du Chipset
Dimensions	<ul style="list-style-type: none"> • Format E-ATX • 30,5 cm x 27,2 cm (12" x 10,7")

Suite du tableau sur la page suivante

Suite du tableau sur la page précédente

Fonctions BIOS	<ul style="list-style-type: none">• 1 x flash 256 Mb• UEFI AMI BIOS• ACPI 6.1, SMBIOS 2.8• Multilingue
Logiciel	<ul style="list-style-type: none">• Pilotes• CREATOR CENTER• Nahimic Audio• CPU-Z MSI GAMING• MSI App Player (BlueStacks)• Google Chrome™, Google Toolbar, Google Drive• Norton™ Internet Security Solution
Fonctions Creator Center	<ul style="list-style-type: none">• CREATOR OPTIMIZATION• High Performance• Hardware Monitor• LAN Manager• True Color• Mystic Light• Live update  <p>Référez-vous au site http://download.msi.com/manual/mb/CREATORCENTER.pdf pour plus de détails.</p>

Suite du tableau sur la page suivante

Suite du tableau sur la page précédente

Fonctions spéciales

- Audio
 - Audio Boost 4
 - Nahimic 3
 - Voice Boost
- Network
 - 10G SUPER LAN
 - GAMING LAN with Gaming LAN Manager
 - Intel WiFi
- Storage
 - Lightning Gen4 M.2
 - Twin M.2
- Cooling
 - FROZR Heatsink Design
 - Propeller Blade Technology
 - M.2 Shield FROZR
 - Extended Heatsink Design
 - Pump Fan
 - Gaming Fan Control
- LED
 - Mystic Light 3
 - Mystic Light Extension (RGB)
 - Mystic Light Extension (RAINBOW)
 - Mystic Light Extension (CORSAIR)
 - Mystic Light Sync
 - EZ DEBUG LED
- Protection
 - PCIe Steel Armor
 - DDR4 Steel Armor
 - M.2 Shield FROZR

Suite du tableau sur la page suivante

Suite du tableau sur la page précédente

Fonctions spéciales	<ul style="list-style-type: none">• Performance<ul style="list-style-type: none">▪ Lightning Gen4 PCI-E Slot▪ Multi GPU-SLI Technology▪ Multi GPU-CrossFire Technology▪ DDR4 Boost▪ Core Boost▪ GAME Boost▪ USB with type A+C▪ AMD Turbo USB 3.2 Gen 2▪ Front USB Type C▪ Dual CPU Power• Gamer Experience<ul style="list-style-type: none">▪ GAMING HOTKEY▪ GAMING MOUSE Control▪ SPEED UP▪ Total Fan Control▪ Live Update▪ APP Player• BIOS<ul style="list-style-type: none">▪ Click BIOS 5
----------------------------	---

Spécifications du connecteur JCORSAIR1

Produits CORSAIR à LED RGB supporté	Connexion maximale
Ruban LED RGB Lighting Node PRO	20* <small>* Il est recommandé de régler la luminosité sur 20% lorsque vous utilisez plus de 8 rubans LED.</small>
Ventilateur RGB HD120	6
Ventilateur RGB SP120	6
Ventilateur RGB LL120	6

Contenu

Vérifiez tous les articles dans le carton d'emballage de votre carte mère. L'emballage doit contenir :

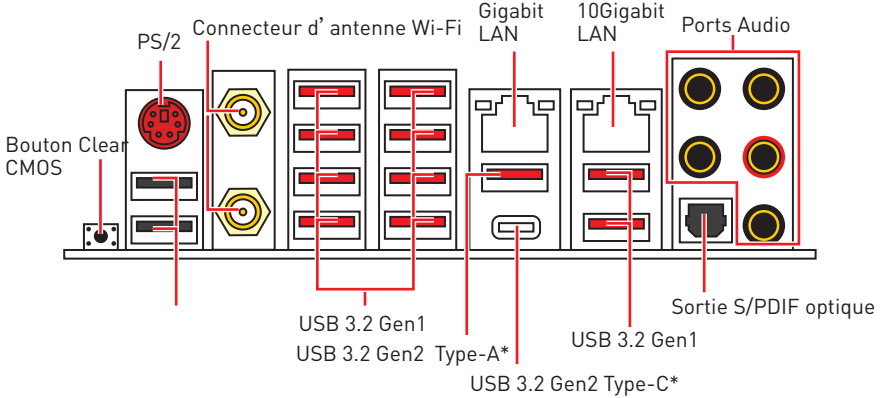
Carte mère	PRESTIGE X570 CREATION	
Câble	Câble SATA 6Gb/s	4
	Câble d'extension Y 1 à 2 LED RGB 80cm	1
	Câble d'extension LED RGB CORSAIR 50cm	1
	Câble d'extension LED RGB RAINBOW 80cm	1
	Câble de thermistance	2
Accessories	Set d'antenne	1
	M.2 Xpander-Z Gen4	1
	la vis 8.5H M.2	2
	Insigne pour châssis	1
	Labels de Câble SATA	1
	Carte d'enregistrement de produit	1
DVD d'application	DVD de pilotes	1
Documentation	Manual d'utilisation	1
	Guide d'installation rapide	1



Important

Veillez contacter votre revendeur si un des éléments ci-dessus est endommagé ou manquant.

Panneau arrière Entrée/ Sortie



**USB 3.2 Gen2 (AMD Ryzen™ de 3ème génération) ou USB 3.2 Gen1 (AMD Ryzen™ de 2ème génération/ Ryzen™ avec cœurs graphiques Radeon™ Vega/ AMD Ryzen™ avec cœurs graphiques Radeon™ de 2ème génération)*

- **Bouton Clear CMOS** - Eteignez votre ordinateur. Appuyez sur le bouton CMOS pendant environ 5-10 secondes pour remettre le BIOS aux valeurs par défaut.

Tableau explicatif de l'état de la LED du port LAN

LED indiquant la connexion et l'activité		LED indiquant la vitesse		
Etat	Description	Etat	Gigabit LAN	10Gigabit LAN
Off	Pas de connexion	Eteint	10 Mbps	N/A
On	Connexion correcte	Vert	100 Mbps	100 M/ 1G bps
Blinking	Activité en cours	Orange	1 Gbps	10 Gbps

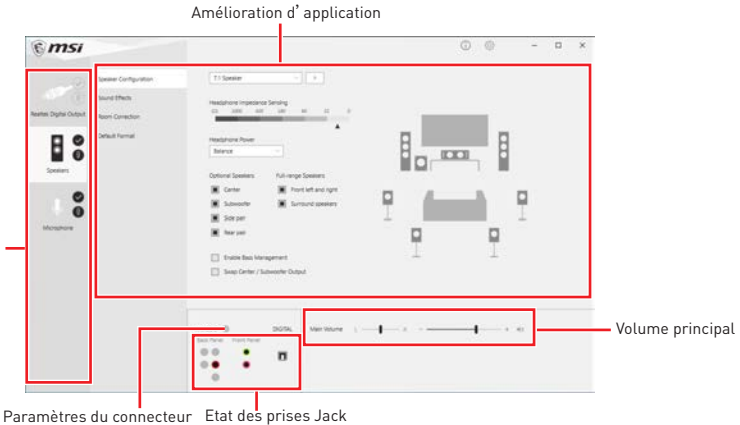
Configuration des ports audio

Ports Audio	Canal			
	2	4	6	8
Sortie centre/ Caisson de basse			●	●
Sortie audio haut-parleur arrière		●	●	●
Entrée Ligne/ Sortie audio haut-parleur côté				●
Sortie Ligne/ Sortie casque avant	●	●	●	●
Entrée Microphone				

(● : connecté, Espace : vide)

Realtek Audio Console

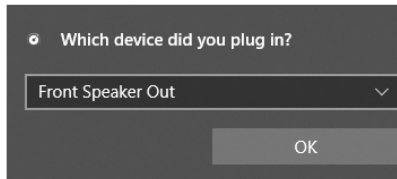
Après l'installation de Realtek Audio Console, vous pouvez l'utiliser pour modifier les paramètres du son afin d'obtenir une meilleure expérience sonore.



- **Sélection du périphérique** - vous permet de sélectionner une source de sortie audio pour en modifier les paramètres. Le symbole de coche indique le périphérique sélectionné par défaut.
- **Amélioration d'application** - les diverses options vous fournissent un guide complet des effets acoustiques proposés pour les périphériques de sortie et d'entrée.
- **Volume principal** - contrôle le volume ou équilibre le son gauche/ droite des haut-parleurs branchés sur le panneau avant ou derrière en ajustant la barre de volume.
- **Etat des prises Jack** - présente tous les périphériques de diffusion et de capture connectés à votre ordinateur.
- **Paramètres du connecteur** - configure les paramètres de connexion.

Dialogue popup automatique

Lorsqu'un périphérique est branché sur une prise audio, une fenêtre de dialogue apparaîtra vous demande de choisir le périphérique connecté que vous souhaitez utiliser.



Chaque jack est réglé avec ses paramètres par défaut comme indiqué sur la page suivante.

Important

Les photos ci-dessus ne sont données qu'à titre de référence et peuvent varier selon le produit que vous achetez.

Illustration de l' utilisation des ports audio dédiés au casque et au microphone

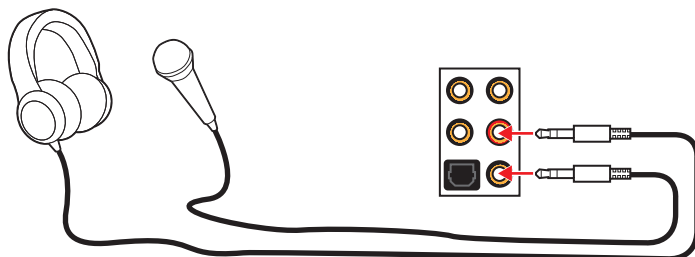


Illustration de l' utilisation du port audio dédié aux haut-parleurs

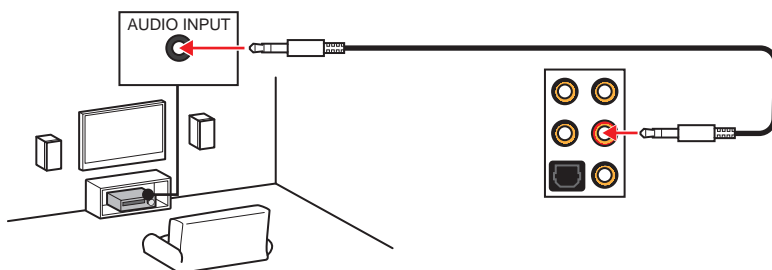
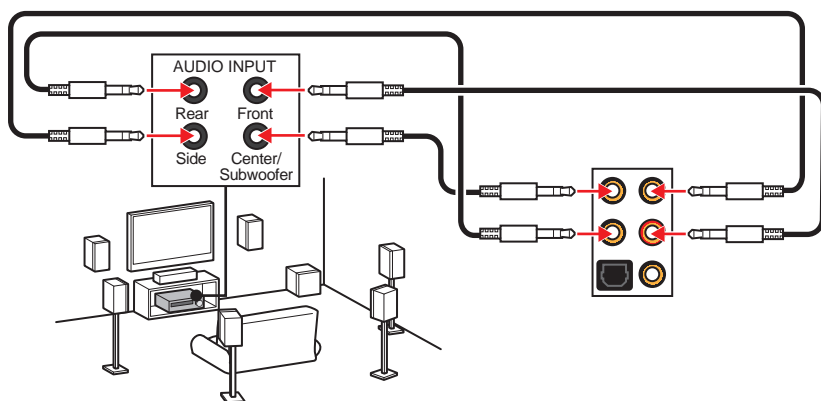
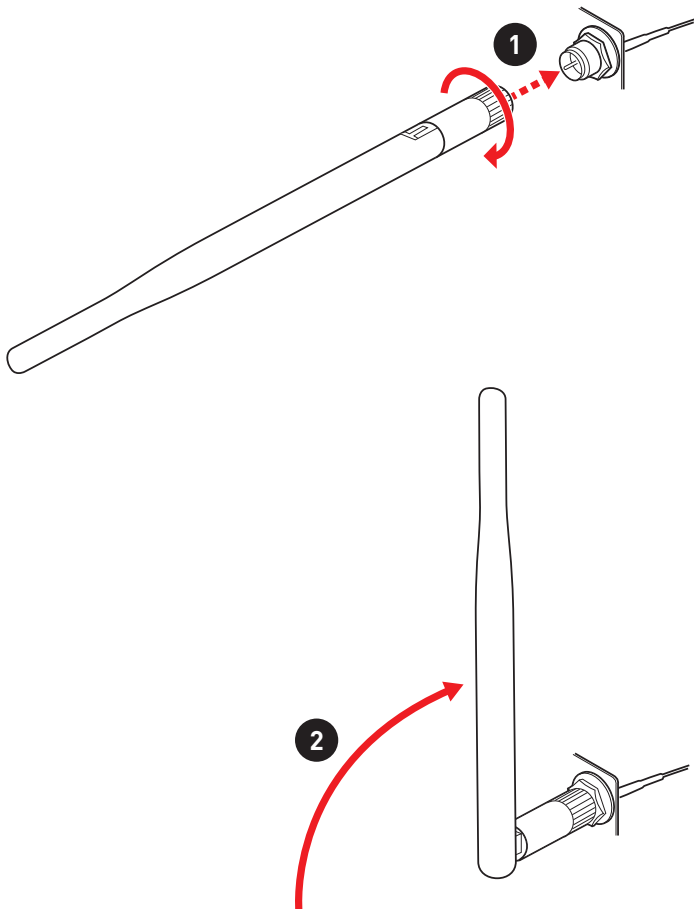


Illustration de l' utilisation des ports audio dédiés aux haut-parleurs 7.1

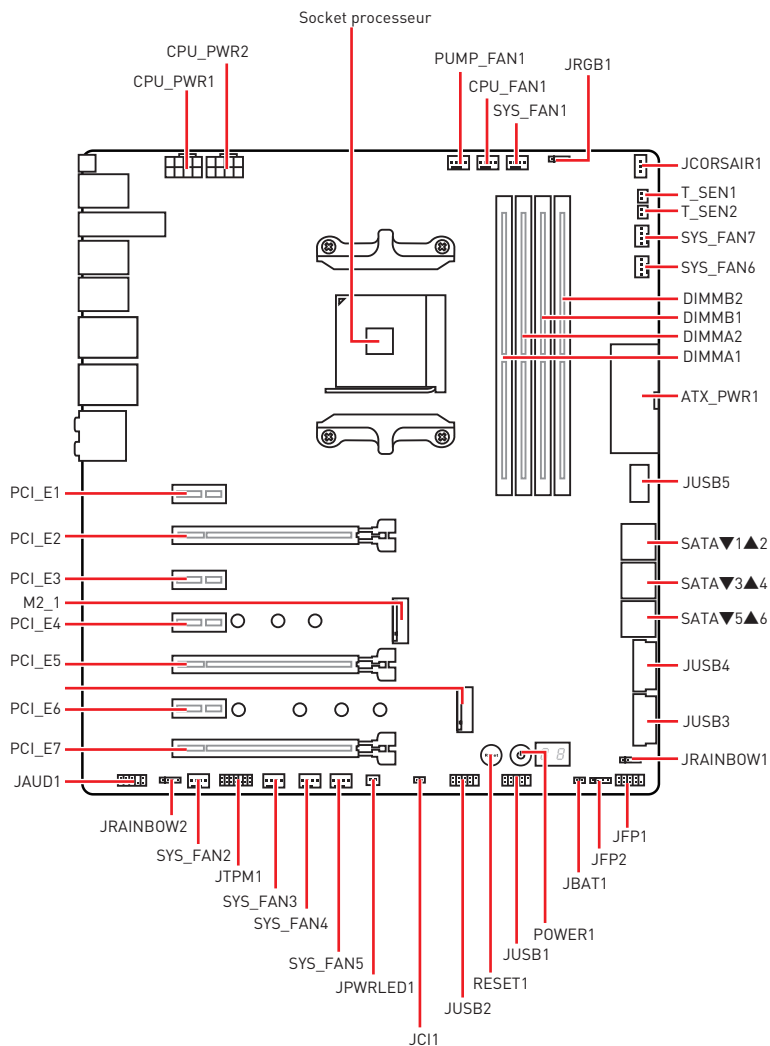


Installation des antennes

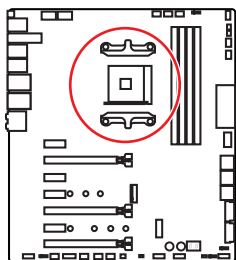
1. Vissez fermement les antennes aux connecteurs dédiés, comme illustré ici.
2. Orientez les antennes.



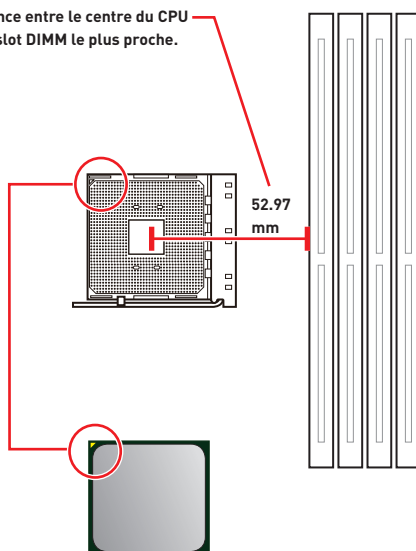
Vue d'ensemble des composants



Socket processeur



Distance entre le centre du CPU
et le slot DIMM le plus proche.



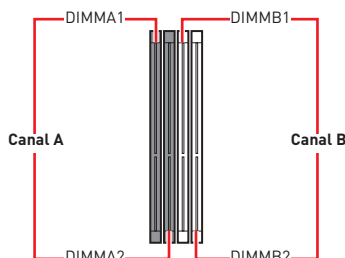
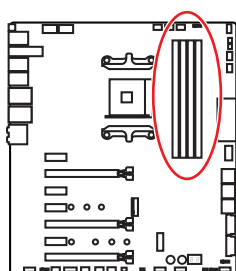
Présentation du socket AM4

Sur le socket AM4, vous remarquerez un triangle jaune servant d'indicateur pour placer le processeur dans la bonne position sur la carte mère. Le triangle jaune correspond à la broche 1 du processeur.

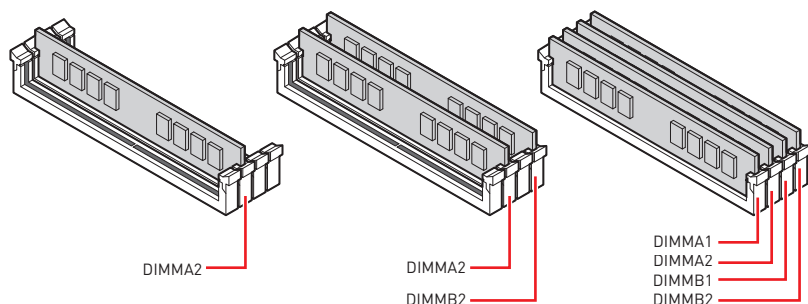
Important

- Lorsque vous changez le processeur, il se peut que la configuration du système soit effacée et que le BIOS soit réinitialisé à ses valeurs par défaut en raison de l'architecture du processeur AM4.
- Avant d'installer ou de retirer le processeur du socket, veillez à toujours débrancher le câble d'alimentation de la prise électrique.
- Lors de l'installation d'un processeur, n'oubliez pas d'installer un ventilateur pour processeur. Un ventilateur de processeur est nécessaire pour protéger le processeur contre la surchauffe et maintenir la stabilité du système.
- Assurez-vous de l'étanchéité entre le ventilateur et le processeur avant de démarrer votre système.
- La surchauffe peut facilement endommager le processeur et la carte mère. Assurez-vous toujours que le système de refroidissement fonctionne correctement pour protéger le processeur de la surchauffe. Assurez-vous d'appliquer une couche de pâte thermique (ou adhésif thermique) entre le processeur et le système de refroidissement afin d'améliorer la dissipation de la chaleur.
- Si vous avez acheté un processeur indépendamment du ventilateur, veuillez vous référer à la documentation dans le paquet du ventilateur pour plus d'informations concernant l'installation.
- Cette carte mère supporte l'overclocking. Néanmoins, veuillez vous assurer que vos composants soient capables de tolérer l'overclocking. Prenez note que l'utilisation au-delà des spécifications du constructeur n'est pas recommandée. MSI® ne garantit pas les dommages et risques causés par les utilisations non prévues dans les spécifications du produit.

Slots DIMM



Installation recommandée de module mémoire



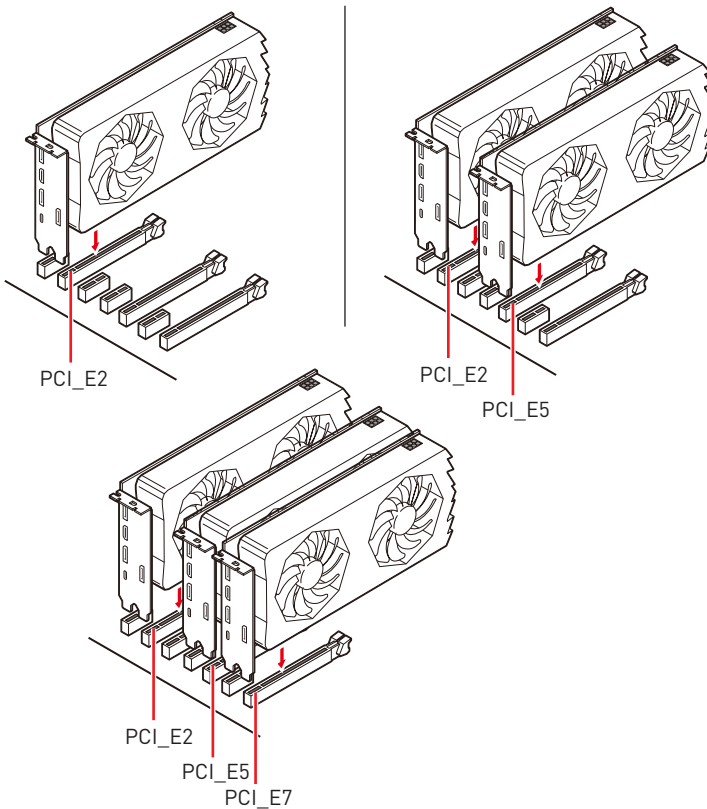
Important

- Veillez à toujours insérer un module de mémoire dans l'emplacement **DIMMA2** en premier.
- Du fait des ressources utilisées par le chipset, la capacité de mémoire disponible est un peu moins élevée que celle installée.
- Basé sur les spécifications du processeur Intel, une tension d'une barrette mémoire en dessous de 1.35V est conseillée pour protéger le processeur.
- Certaines mémoires peuvent fonctionner à une fréquence réduite par rapport à la valeur indiquée lors de l'overclocking car la fréquence d'opération de mémoire dépend du Serial Presence Detect (SPD). Rendez-vous sur le BIOS et choisissez la fonction **DRAM Frequency** pour régler la fréquence de mémoire si vous voulez faire fonctionner la mémoire à la fréquence indiquée ou à une fréquence plus élevée.
- Il est recommandé d'utiliser un système de refroidissement qui sera capable de refroidir toutes les barrettes mémoire et d'offrir de bonnes performances lors d'un overclocking.
- La stabilité et la compatibilité du module de mémoire lors de l'overclocking dépendent du processeur et des périphériques installés.
- Du fait des limites officiels des spécifications du contrôleur CPU/mémoire AM4, les modules de mémoire peuvent fonctionner à une fréquence réduite par rapport à la valeur indiquée en mode défaut. Veuillez vous référer au site www.msi.com pour plus d'informations sur la mémoire compatible.

PCI_E1~7 : Slots d'extension PCIe

Slots	AMD Ryzen™ de 3ème génération	AMD Ryzen™ de 2ème génération	Ryzen™ avec cœurs graphiques Radeon™ Vega et AMD Ryzen™ avec cœurs graphiques Radeon™ de 2ème génération
PCI_E1	PCIe 2.0 x 1	PCIe 2.0 x 1	PCIe 2.0 x 1
PCI_E2	PCIe 4.0 x 16	PCIe 3.0 x 16	PCIe 3.0 x 8
PCI_E3	PCIe 2.0 x 1	PCIe 2.0 x 1	PCIe 2.0 x 1
PCI_E4	PCIe 2.0 x 1	PCIe 2.0 x 1	PCIe 2.0 x 1
PCI_E5	PCIe 4.0 x 8	PCIe 3.0 x 8	—
PCI_E6	PCIe 2.0 x 1	PCIe 2.0 x 1	PCIe 2.0 x 1
PCI_E7	PCIe 4.0 x 4	PCIe 3.0 x 4	PCIe 3.0 x 4

Installation recommandée pour une configuration multi-GPU (Processeurs des séries Ryzen™)



Important

- Si vous installez une carte graphique lourde, il vous faut utiliser un outil comme la **barre de support MSI Gaming Series** pour supporter son poids et pour éviter la déformation du slot.
- Si vous choisissez d'installer une seule carte d'extension PCIe x16, nous vous recommandons d'utiliser le slot **PCI_E2** pour profiter de performances optimales.
- Veillez à toujours mettre l'ordinateur hors tension et à débrancher le cordon d'alimentation avant d'installer les cartes d'extension. Référez-vous à la documentation des cartes pour vérifier si un composant ou un logiciel doit être modifié.

Tableau de la bande passante du PCIe

Pour AMD Ryzen™ de 3ème génération

Slot	Unique	2-Way	3-Way
PCI_E2 (CPU)	Gen 4.0 x 16*	Gen 4.0 x 8*	Gen 4.0 x 8*
PCI_E5 (CPU)	—	Gen 4.0 x 8*	Gen 4.0 x 8*
PCI_E7 (PCH)	Gen 4.0 x 4	Gen 4.0 x 4	Gen 4.0 x 4*

Pour AMD Ryzen™ de 2ème génération

Slot	Unique	2-Way	3-Way
PCI_E2 (CPU)	Gen 3.0 x 16*	Gen 3.0 x 8*	Gen 3.0 x 8*
PCI_E5 (CPU)	—	Gen 3.0 x 8*	Gen 3.0 x 8*
PCI_E7 (PCH)	Gen 3.0 x 4	Gen 3.0 x 4	Gen 3.0 x 4*

Pour Ryzen™ avec cœurs graphiques Radeon™ Vega et AMD Ryzen™ avec cœurs graphiques Radeon™ de 2ème génération

Slot	Unique	2-Way
PCI_E2 (CPU)	Gen 3.0 x 8*	Gen 3.0 x 8*
PCI_E5 (CPU)	—	—
PCI_E7 (PCH)	Gen 3.0 x 4	Gen 3.0 x 4*

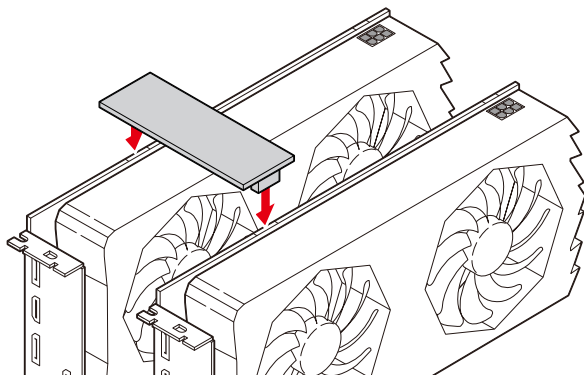
(— : Vide, * : carte graphique)

Installation des cartes graphiques SLI

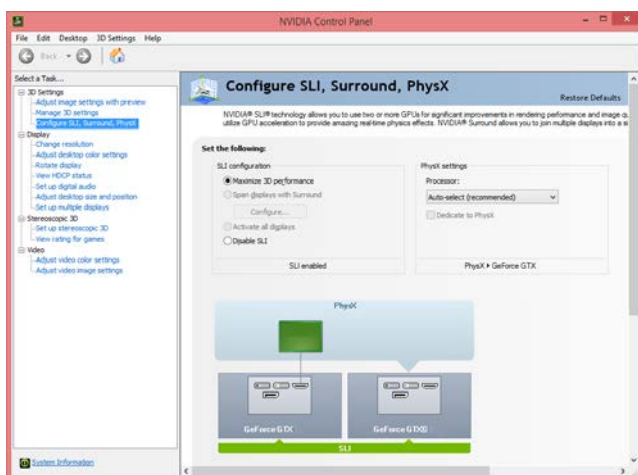
Pour savoir quel type d'alimentation est recommandé pour une configuration SLI, veuillez vous référer au mode d'emploi de votre carte graphique, afin de parfaitement répondre à la demande du système.

Pour installer les cartes graphiques en SLI :

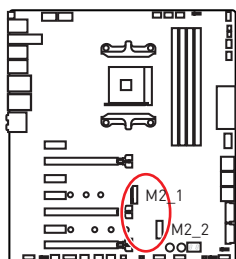
1. Eteignez votre ordinateur et déconnectez le cordon d'alimentation. Installez deux cartes graphiques dans les slots **PCI_E2** et **PCI_E5**.
2. Connectez les deux cartes graphiques avec un **pont SLI**.



3. Reliez tous les connecteurs d'alimentation PCIe des cartes graphiques.
4. Reconnectez le cordon d'alimentation, allumez votre ordinateur et installez les pilotes et logiciels fournis avec la carte graphique.
5. Faites un clic droit sur le bureau de Windows et choisissez **NVIDIA Control Panel** dans le menu. Cliquez sur **Configure SLI, Surround, PhysX** dans l'onglet à gauche. Sélectionnez **Maximize 3D performance** dans le menu de configuration SLI et puis cliquez sur **Appliquer**.



M2_1~2 : Slots M.2 (Touche M)

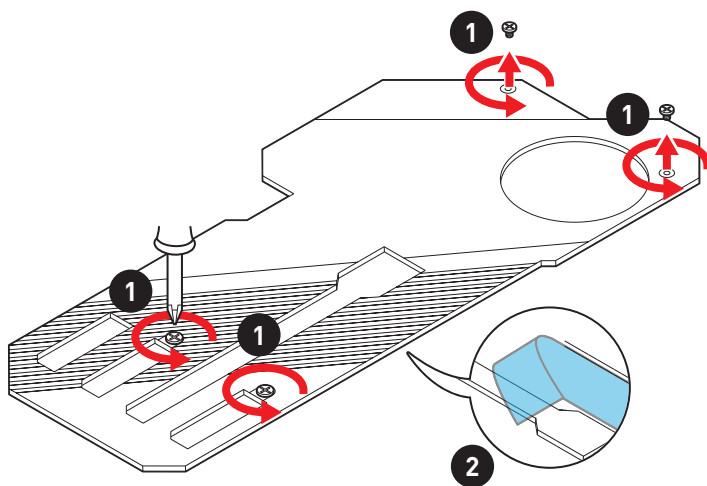


Le tableau suivant décrit la relation entre les slots M.2 et la bande passante du slot PCIe des processeurs.

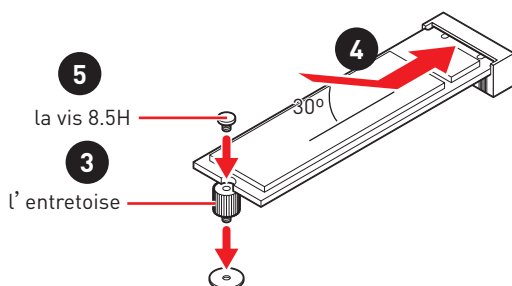
Slots	AMD Ryzen™ de 3ème génération	AMD Ryzen™ de 2ème génération	Ryzen™ avec cœurs graphiques Radeon™ Vega et AMD Ryzen™ avec cœurs graphiques Radeon™ de 2ème génération
M2_1	PCIe 4.0 x 4	PCIe 3.0 x 4	PCIe 3.0 x 4
M2_2	PCIe 4.0 x 4	PCIe 3.0 x 4	PCIe 3.0 x 4

Installation du module M.2

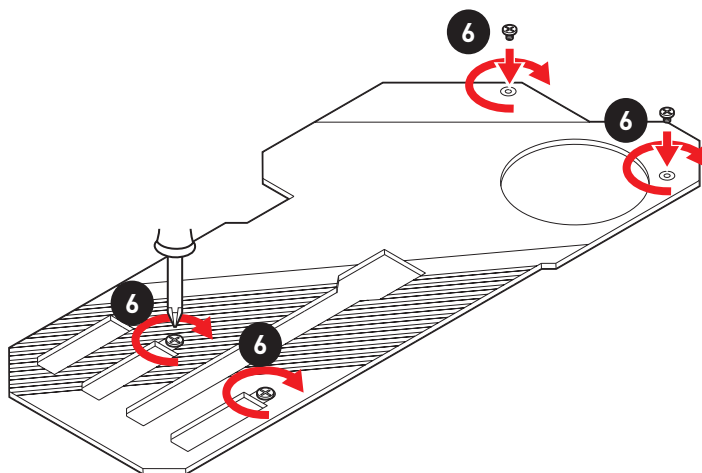
1. Desserrez la vis de la plaque M.2 SHIELD FROZR.
2. Retirez la plaque M.2 SHIELD FROZR et le film de protection du pad thermique.



3. Si nécessaire, déplacez le support de fixation de manière à l'adapter à la longueur du SSD M.2.
4. Insérez votre SSD M.2 dans le slot M.2 à un angle de 30 degrés.
5. Fixez le SSD M.2 avec la vis M.2 8.5H fournie.

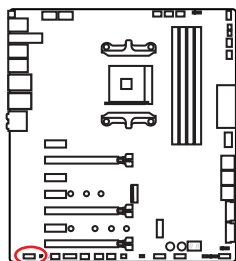


6. Remettez la plaque M.2 SHIELD FROZR en place et fixez-la.



JAUD1 : Connecteur audio avant

Ce connecteur se lie aux jacks audio du panneau avant.

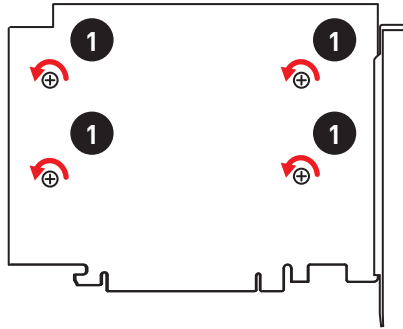


1	MIC L	2	Ground
3	MIC R	4	NC
5	Head Phone R	6	MIC Detection
7	SENSE_SEND	8	No Pin
9	Head Phone L	10	Head Phone Detection

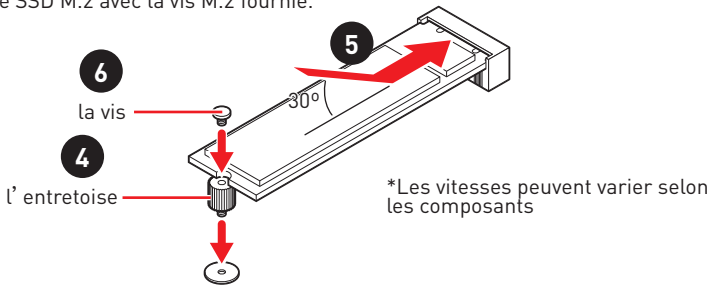
Installation du M.2 XPANDER-Z GEN 4

Pour installer la carte M.2 XPANDER-Z GEN 4, veuillez suivre les étapes ci-dessous.

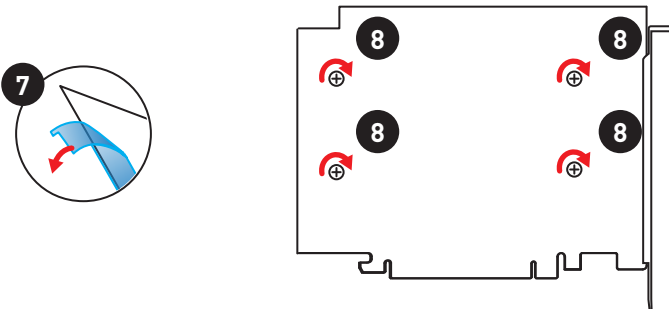
1. Enlevez la plaque en desserrant les quatre vis situées à l'arrière de la carte M.2 XPANDER-Z GEN 4.



2. Desserrez la vis M.2 de l'entretoise M.2.
3. Desserrez l'entretoise M.2.
4. Déplacez et fixez l'entretoise à la position appropriée pour le support de votre SSD M.2.
5. Insérez votre SSD M.2 dans le slot M.2 à un angle de 30 degrés.
6. Fixez le SSD M.2 avec la vis M.2 fournie.



7. Retirez le film de protection du pad thermique de la plaque.
8. Réinstallez et fixez la plaque avec les quatre vis.



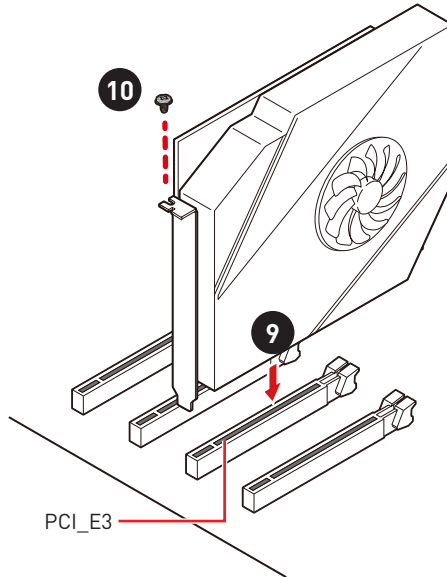
9. Insérez la carte M.2 XPANDER-Z GEN 4 dans le slot **PCI_E5**.



Important

Seul le slot **PCI_E1**, **PCI_E5** supporte la carte M.2 XPANDER-Z GEN 4.

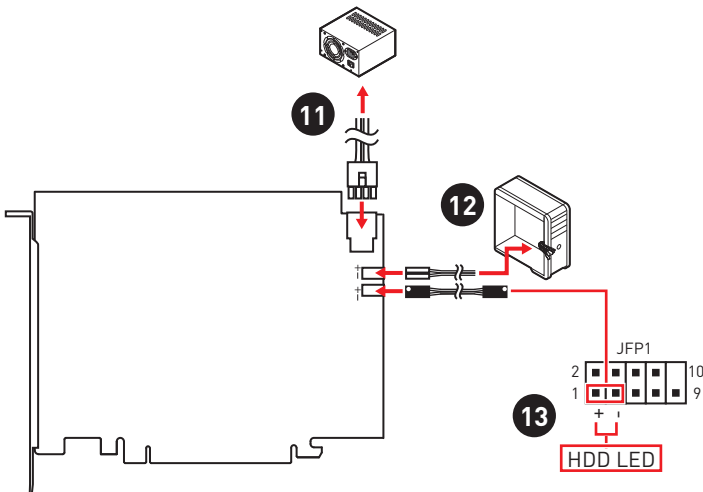
10. Fixez la vis pour sécuriser la carte M.2 XPANDER-Z GEN 4.



11. Connectez le PCIE_PWR1 à l'alimentation.

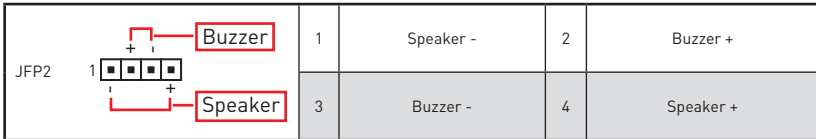
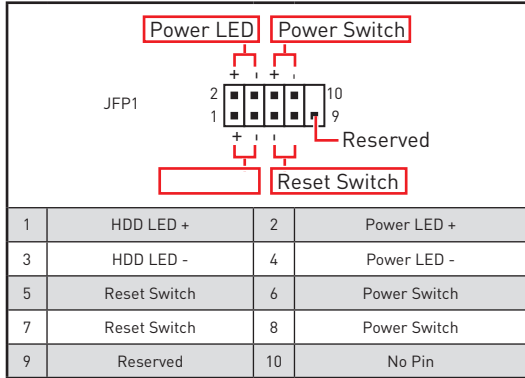
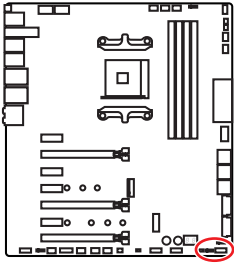
12. Branchez le câble HDD LED du boîtier au connecteur JCASE.

13. Utilisez le câble HDD LED fourni pour relier le connecteur JMB aux broches HDD du connecteur JFP1 (broche 1 et broche 3).



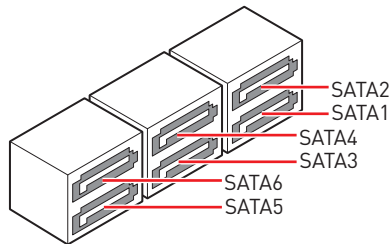
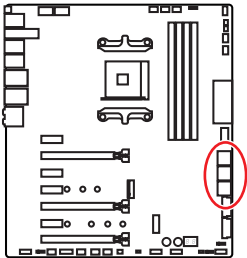
JFP1, JFP2 : Connecteurs de panneau avant

Ces connecteurs se lient aux interrupteurs et indicateurs LED du panneau avant.



SATA1~6 : Connecteurs SATA 6Gb/s

Ces connecteurs utilisent une interface SATA 6 Gb/s. Chaque connecteur peut être relié à un appareil SATA.

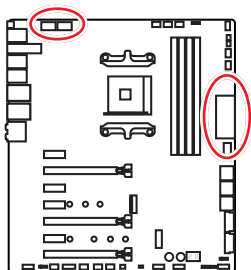


Important

- Veuillez ne pas plier les câbles SATA à 90° car cela pourrait entraîner une perte de données pendant la transmission.
- Les câbles SATA disposent de prises identiques sur chaque côté. Néanmoins, il est recommandé de connecter la prise plate sur la carte mère pour un gain d'espace.

CPU_PWR1~2, ATX_PWR1 : Connecteurs d'alimentation

Ces connecteurs vous permettent de relier une alimentation ATX.



1	Ground	5	+12V
2	Ground	6	+12V
3	Ground	7	+12V
4	Ground	8	+12V

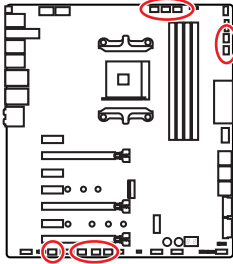
1	+3.3V	13	+3.3V
2	+3.3V	14	-12V
3	Ground	15	Ground
4	+5V	16	PS-ON#
5	Ground	17	Ground
6	+5V	18	Ground
7	Ground	19	Ground
8	PWR OK	20	Res
9	5VSB	21	+5V
10	+12V	22	+5V
11	+12V	23	+5V
12	+3.3V	24	Ground

Important

- Veuillez vous assurer que tous les câbles d'alimentation sont branchés aux connecteurs adéquats afin garantir une opération stable de la carte mère.
- Il est recommandé de brancher deux connecteurs à 8 broches ou au moins un connecteur à 8 broches et un connecteur à 4 broches aux ports CPU_PWR1 et CPU_PWR2 afin d'optimiser la stabilité du système et d'éviter la surchauffe de la carte mère sous une charge forte.

CPU_FAN1, PUMP_FAN1, SYS_FAN1~7 : Connecteurs pour ventilateurs

Les connecteurs pour ventilateurs peuvent être utilisés en mode PWM (Pulse Width Modulation) et en mode DC. En mode PWM, les connecteurs fournissent une sortie de 12V constante et ajustent la vitesse des ventilateurs avec un signal de contrôle de vitesse. En mode DC, les connecteurs contrôlent la vitesse des ventilateurs en modifiant la tension. Cette carte mère peut détecter automatiquement le mode PWM et DC. Cependant, vous pouvez suivre les instructions ci-dessous pour régler le connecteur de ventilateur en mode PWM ou mode DC.



Connecteurs pour ventilateurs en mode PWM par défaut



CPU_FAN1/ PUMP_FAN1

Connecteurs pour ventilateurs en mode Auto par défaut



SYS_FAN6~7



SYS_FAN1~5

Basculer entre les modes des ventilateurs et ajuster la vitesse

Vous pouvez alterner entre le mode PWM et le mode DC et ajuster la vitesse des ventilateurs dans le **BIOS > HARDWARE MONITOR**.

Choisissez le mode **PWM** ou le mode **DC**



Il y a des points de gradient de la vitesse du ventilateur qui vous permet d'ajuster la vitesse de ventilateur par rapport à la température du processeur.

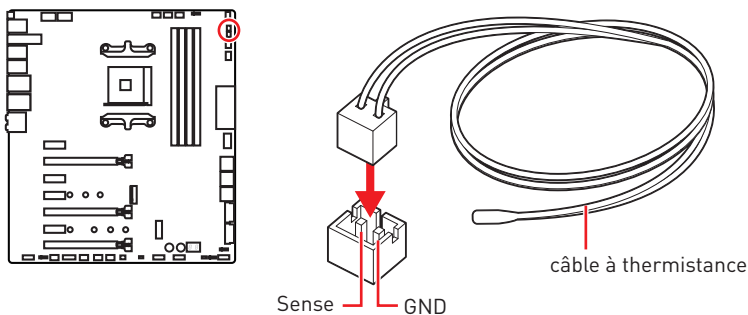
Définition des broches des connecteurs de ventilateur

Définition des broches en mode PWM			
1	Ground	2	+12V
3	Sense	4	Speed Control Signal

Définition des broches en mode DC			
1	Ground	2	Voltage Control
3	Sense	4	NC

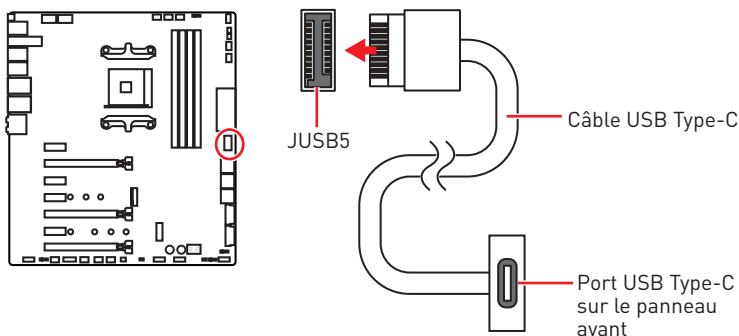
T_SEN1~2 : Connecteurs de capteur thermique

Ces connecteurs vous permettent d'utiliser un câble à thermistance pour surveiller la température du point de détection.



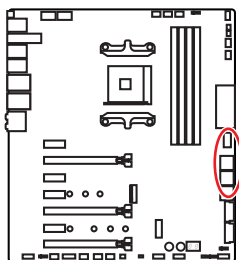
JUSB5 : Connecteur USB 3.2 Gen2 Type-C

Ce connecteur vous permet de relier un port USB 3.2 Gen2 Type-C sur le panneau avant. Pour plus de sécurité, ce connecteur a été conçu pour offrir une excellente robustesse. Quand vous connectez le câble, assurez-vous de le brancher dans le bon sens.



JUSB3~4 : Connecteurs USB 3.2 Gen1

Ces connecteurs vous permettent de relier un port USB 3.2 Gen1 sur le panneau avant.



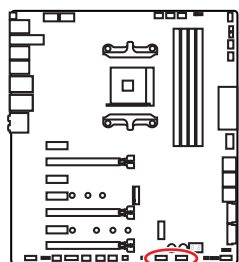
1	Power	11	USB2.0+
2	USB3_RX_DN	12	USB2.0-
3	USB3_RX_DP	13	Ground
4	Ground	14	USB3_TX_C_DP
5	USB3_TX_C_DN	15	USB3_TX_C_DN
6	USB3_TX_C_DP	16	Ground
7	Ground	17	USB3_RX_DP
8	USB2.0-	18	USB3_RX_DN
9	USB2.0+	19	Power
10	NC	20	No Pin

Important

Notes que les câbles d'alimentation et de terre doivent être branchés correctement afin d'éviter d'endommager la carte.

JUSB1~2 : Connecteurs USB 2.0

Ces connecteurs vous permettent de relier un port USB 2.0 sur le panneau avant.



1	VCC	2	VCC
3	USB0-	4	USB1-
5	USB0+	6	USB1+
7	Ground	8	Ground
9	No Pin	10	NC

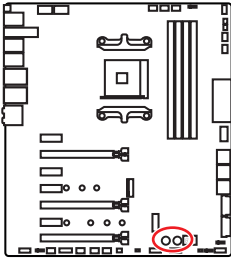
Important

• Notez que les broches VCC et Terre doivent être branchées correctement afin d'éviter tout dommage sur la carte mère.

• Pour recharger votre iPad, iPhone et iPod par l'intermédiaire d'un port USB, veuillez installer l'utilitaire MSI CREATOR CENTER.

POWER1, RESET1 : Boutons d'alimentation et de réinitialisation

Les boutons d'alimentation et de réinitialisation vous permettent d'allumer ou de redémarrer l'ordinateur.



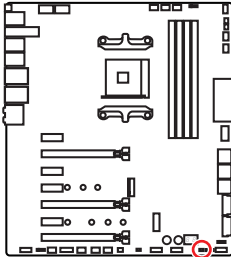
Bouton de réinitialisation



Bouton d'alimentation

JBAT1 : Cavalier Clear CMOS (Réinitialisation BIOS)

Une mémoire CMOS est intégrée et est alimentée en externe par une batterie située sur la carte mère afin de conserver les données de configuration système. Si vous souhaitez nettoyer la configuration système, placez le cavalier sur Effacer CMOS de manière à nettoyer la mémoire CMOS.



Conserv. les données (défaut)



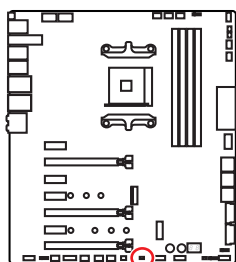
Effacer CMOS/
Réinitialiser BIOS

Réinitialiser le BIOS aux valeurs par défaut

1. Eteignez l'ordinateur et débranchez le câble d'alimentation de la prise électrique.
2. Utilisez un couvercle de cavalier pour fermer JBAT1 pour environ 5-10 secondes.
3. Enlevez le couvercle de cavalier du JBAT1.
4. Branchez de nouveau le câble d'alimentation à votre ordinateur et allumez-le.

JCI1 : Connecteur intrusion châssis

Ce connecteur est relié à un câble d'interrupteur intrusion châssis.



Normal
(défaut)



Commencer l'activité
intrusion châssis

Utilisation du détecteur d'intrusion châssis

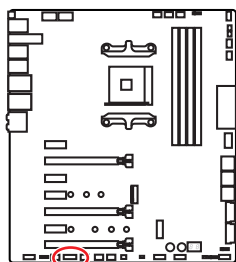
1. Reliez le connecteur **JCI1** à l'interrupteur ou au capteur d'intrusion châssis situé sur le boîtier du PC.
2. Fermez le couvercle du boîtier.
3. Allez dans le **BIOS > SETTINGS (Réglages) > Security (Sécurité) > Chassis Intrusion Configuration (Configuration intrusion châssis)**.
4. Réglez **Chassis Intrusion (intrusion châssis)** sur **Enabled (Activé)**.
5. Appuyez sur **F10** pour sauvegarder et quitter. Ensuite appuyez sur la touche **Enter (Entrée)** pour choisir **Yes (Oui)**.
6. Désormais, si le boîtier du PC est ouvert quand l'ordinateur est allumé, vous recevrez un message d'alerte à l'écran.

Réinitialisation de l'alerte intrusion châssis

1. Allez dans le **BIOS > SETTINGS (Réglages) > Security (Sécurité) > Chassis Intrusion Configuration (Configuration intrusion châssis)**.
2. Mettez **Chassis Intrusion (Intrusion châssis)** en **Reset (Remettre)**.
3. Appuyez sur **F10** pour sauvegarder et quitter. Ensuite appuyez sur la touche **Enter (Entrée)** pour choisir **Yes (Oui)**.

JTPM1 : Connecteur de module TPM

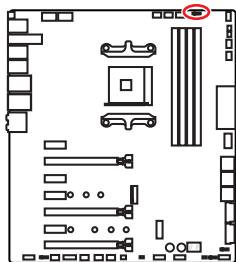
Ce connecteur est relié à un module TPM (Trusted Platform Module). Veuillez vous référer au manuel du module TPM pour plus d'informations.



1	LPC Clock	2	3V Standby power
3	LPC Reset	4	3.3V Power
5	LPC address & data pin0	6	Serial IRQ
7	LPC address & data pin1	8	5V Power
9	LPC address & data pin2	10	No Pin
11	LPC address & data pin3	12	Ground
13	LPC Frame	14	Ground

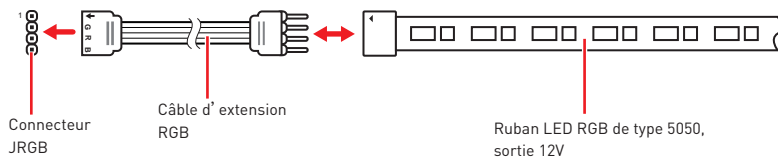
JRGB1 : Connecteur LED RGB

Le connecteur JRGB vous permet de connecter un ruban LED RGB de type 5050 12V.

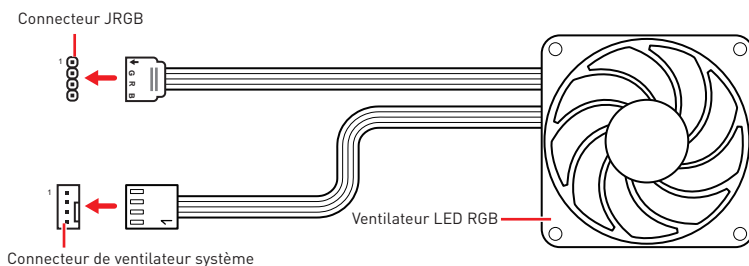


1			
1	+12V	2	G
3	R	4	B

Connexion du ruban LED RGB



Connexion du ventilateur LED RGB

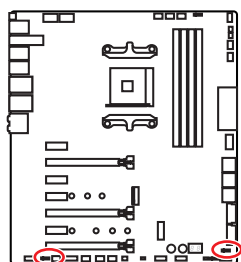


Important

- Le connecteur JRGB supporte des rubans LED RGB (12V/G/R/B) de type 5050 d'une longueur de 2 mètres maximum avec une puissance nominale maximale de 3A (12V).
- Avant d'installer ou de retirer le ruban LED RGB, veillez à toujours éteindre l'alimentation et à débrancher le câble d'alimentation de la prise électrique.
- Veuillez utiliser un logiciel MSI dédié pour contrôler le ruban d'extension LED.

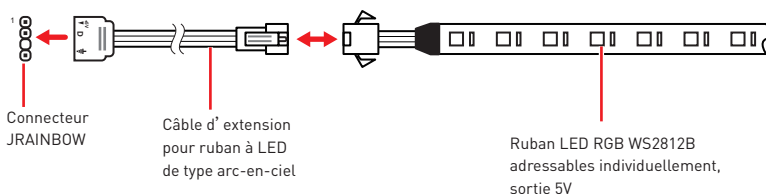
JRAINBOW1~2 : Connecteurs LED RGB adressables

Le connecteur JRAINBOW vous permet de connecter un ruban à LED RGB WS2812B adressables individuellement 5V.

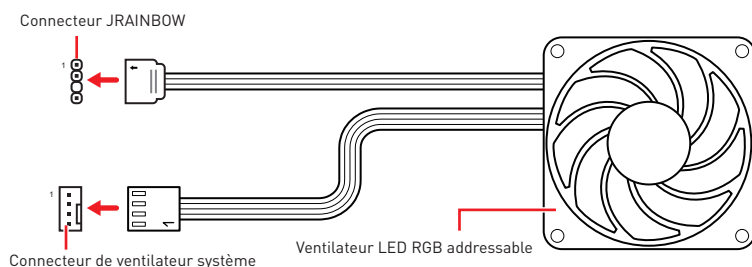


1			
1	+5V	2	Data
3	No Pin	4	Ground

Connexion du ruban LED RGB adressable



Connexion du ventilateur LED RGB adressable



⚠ Attention

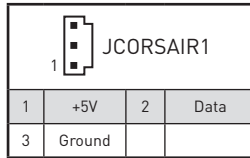
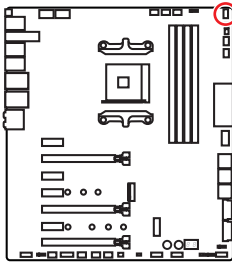
Faites attention à bien connecter le bon type de ruban LED. Le connecteur JRGB et le connecteur JRAINBOW fournissent des tensions différentes. La connexion d'un ruban LED 5V au connecteur JRGB peut endommager le ruban.

⚠ Important

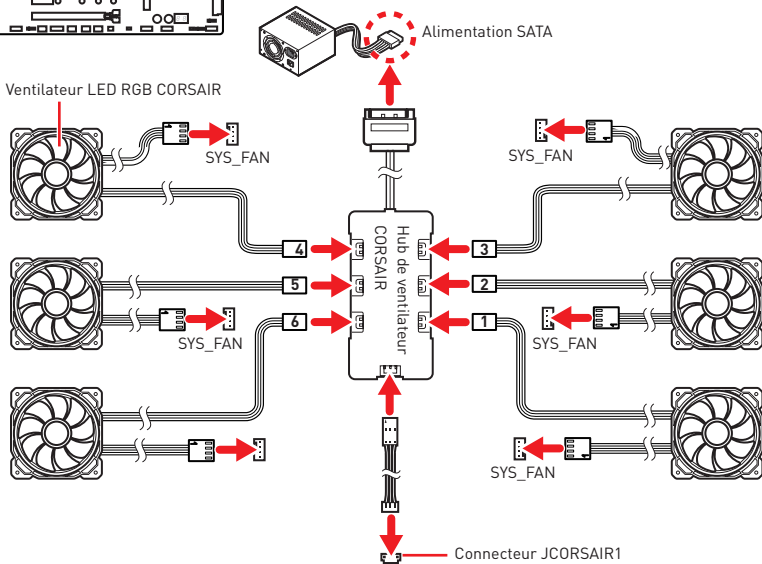
- Le connecteur JRAINBOW supporte jusqu'à des rubans 75 LEDs WS2812B adressables individuellement (5V/Data/Ground) avec une puissance nominale maximale de 3A (5V). Dans le cas d'une luminosité de 20%, le connecteur support jusqu'à 200 LED.
- Avant d'installer ou de retirer le ruban LED, veillez à toujours éteindre l'alimentation et à débrancher le câble d'alimentation de la prise électrique.
- Veuillez utiliser un logiciel MSI dédié pour contrôler le ruban d'extension LED.

JCORSAIR1 : Connecteur CORSAIR

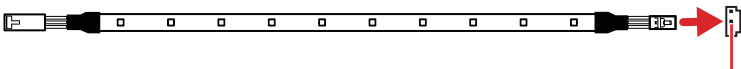
Le connecteur JCORSAIR1 vous permet de connecter un ruban à LED RGB adressables individuellement 5V ou un ventilateur LED RGB de marque CORSAIR via un hub de ventilateur CORSAIR. Une fois que tous les éléments sont correctement connectés, vous pourrez contrôler les rubans et les ventilateurs LED RGB de marque CORSAIR avec un logiciel MSI dédié.



Connexion du ventilateur LED RGB de marque CORSAIR



Connexion du CORSAIR Lighting Node PRO



Connecteur JCORSAIR1

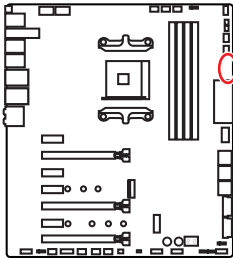
⚠ Important

- Veuillez connecter les ventilateurs en série 1 > 2 > 3 > 4 > 5 > 6. Tout ventilateur qui n'est pas connecté en série interrompra la communication et la fonction de rétroéclairage LED RGB ne fonctionnera pas.
- Le nombre de ventilateurs LED RGB ou de rubans LED RGB Lighting PRO supportés peut varier selon le modèle. Veuillez vous référer aux spécifications de la carte mère.
- Le ventilateur LED RGB de marque Corsair et CORSAIR Lighting Node PRO ne peuvent pas être utilisés en même temps.

Indicateurs LED embarqués

EZ Debug LED

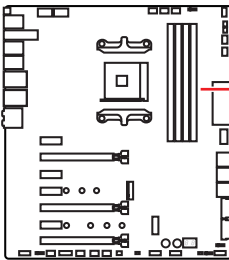
Ces LEDs indiquent l'état de débogage de la carte mère.



- CPU** - indique que le CPU n'est pas détecté ou que son initialisation a échoué.
- DRAM** - indique que la mémoire DRAM n'est pas détectée ou que son initialisation a échoué.
- VGA** - indique que le GPU n'est pas détecté ou que son initialisation a échoué.
- BOOT** - indique que le périphérique de démarrage n'est pas détecté ou que son initialisation a échoué.

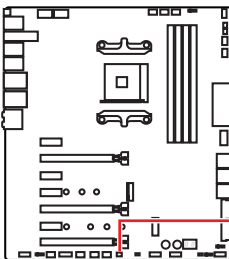
Indicateur LED du mode A-XMP

Cette LED indique que le mode A-XMP (Extreme Memory Profile) est activé.



JPWRLED1 : Indicateur LED de l'entrée d'alimentation

Ce connecteur est utilisé par les revendeurs pour faire une démonstration des effets de lumière des indicateurs LED.



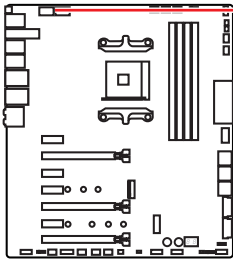
JPWRLED1 - Indicateur LED de l'entrée d'alimentation

Voyant LED d'alimentation du processeur

Ce voyant indique que les connecteurs d'alimentation du processeur à 8 broches (CPU_PWR1 et CPU_PWR2) sont uniquement connectés au connecteur d'alimentation à 4 broches.



Lorsque le voyant d'alimentation du processeur est allumé, votre ordinateur peut démarrer, mais une alimentation insuffisante peut entraîner des problèmes de stabilité du système.



Voyant LED d'alimentation du processeur

Couleur LED	Etat des connecteurs d'alimentation du processeur
Rouge	 CPU_PWR1 CPU_PWR2
	 CPU_PWR1 CPU_PWR2
	 CPU_PWR1 CPU_PWR2
éteinte	 CPU_PWR1 CPU_PWR2
	 CPU_PWR1 CPU_PWR2
	 CPU_PWR1 CPU_PWR2
	 CPU_PWR1 CPU_PWR2
	 CPU_PWR1

Debug Code LED

La Debug Code LED affiche les codes de progression et d'erreur pendant et après le processus de POST. Référez-vous au tableau de Debug Code LED pour plus de détails.

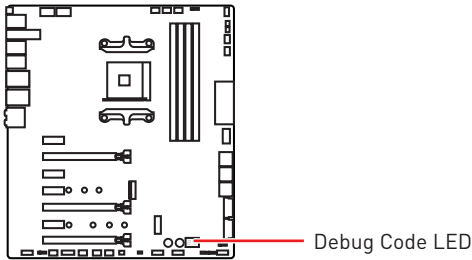


Tableau des caractères hexadécimaux

Hexadécimaux	0	1	2	3	4	5	6	7	8	9	A	B	C	D	E	F
Affichage de Debug Code LED	0	1	2	3	4	5	6	7	8	9	A	B	C	D	E	F

Phase de démarrage

Sécurité (SEC) - initialisation de très bas niveau

Initialisation Pre-EFI (PEI) – initialisation de la mémoire

Environnement d'exécution des pilotes (DXE) – initialisation du matériel principal

Sélection du périphérique de démarrage (BDS) – la configuration du système, l'interface d'utilisateur de pré-OS et la sélection d'un périphérique amorçable (CD/DVD, disque dur, USB, réseau, interface système, etc.)

Tableau de Debug Code LED

Codes de progression SEC

01	Sous tension. Détection du type de réinitialisation (soft/hard)
02	Initialisation AP avant chargement du microcode
03	Initialisation de l'agent système avant chargement du microcode
04	Initialisation PCH avant chargement du microcode
06	Chargement du microcode
07	Initialisation AP après chargement du microcode
08	Initialisation de l'agent système après chargement du microcode
09	Initialisation PCH après chargement du microcode
0B	Initialisation du cache

Codes d' erreur SEC

0C - 0D	Réservé aux futurs codes d' erreur AMI SEC
0E	Microcode introuvable
0F	Microcode non chargé

Codes de progression PEI

10	Le cœur PEI est lancé
11	L' initialisation de la pré-mémoire du processeur est lancée
12 - 14	Initialisation de la pré-mémoire du processeur (module processeur spécifique)
15	L' initialisation de la pré-mémoire de l' agent système est lancée
16 - 18	Initialisation de la pré-mémoire de l' agent système (module agent système spécifique)
19	L' initialisation de la pré-mémoire du PCH est lancée
1A - 1C	Initialisation de la pré-mémoire du PCH (module PCH spécifique)
2B	Initialisation de la mémoire. Lecture des données SPD
2C	Initialisation de la mémoire. Détection de présence de la mémoire
2D	Initialisation de la mémoire. Information sur la programmation de synchronisation de la mémoire
2E	Initialisation de la mémoire. Configuration de la mémoire
2F	Initialisation de la mémoire (autre)
31	Mémoire installée
32	L' initialisation de la post-mémoire du processeur est lancée.
33	Initialisation de la post-mémoire du processeur. Initialisation du cache
34	Initialisation de la post-mémoire du processeur. Initialisation du ou des processeurs d' application (AP)
35	Initialisation de la post-mémoire du processeur. Sélection du processeur d' amorçage (BSP)
36	Initialisation de la post-mémoire du processeur. Initialisation du mode de gestion du système (SMM)
37	L' initialisation de la post-mémoire de l' agent système est lancée
38 - 3A	Initialisation de la post-mémoire de l' agent système (module agent système spécifique)
3B	L' initialisation de la post-mémoire du PCH est lancée
3C - 3E	Initialisation de la post-mémoire du PCH (module PCH spécifique)
4F	DXE IPL est lancé

Codes d' erreur PEI

4B	Mémoire non installée (Pour processeur Summit)
E0	Mémoire non installée (Pour processeur Bristol)

Codes de progression DXE

60	Le coeur DXE est lancé
61	Initialisation de la NVRAM
62	Installation des services d' exécution du PCH
63	L' initialisation du processeur DXE est lancée
64 - 67	Initialisation du processeur DXE (module processeur spécifique)
68	Initialisation du pont hôte PCI
69	L' initialisation de l' agent système DXE est lancée
6A	L' initialisation de l' agent système DXE SMM est lancée
6B - 6F	Initialisation de l' agent système DXE (module agent système spécifique)
70	L' initialisation du PCH DXE est lancée
71	L' initialisation du PCH DXE SMM est lancée
72	Initialisation des périphériques du PCH
73 - 77	Initialisation du PCH DXE (module PCH spécifique)
78	Initialisation du module ACPI
79	Initialisation CSM
7A - 7F	Réservé aux futurs codes AMI DXE
90	La phase de sélection du périphérique de démarrage (BDS) est lancée.
91	La connexion du pilote est lancée
92	L' initialisation du bus PCI est lancée
93	Initialisation du contrôleur de branchement à chaud du bus PCI
94	Enumération du bus PCI 32
95	Demande des ressources du bus PCI
96	Distribution des ressources du bus PCI
97	Connexion du périphérique de sortie de console
98	Connexion du périphérique d' entrée de console
99	Initialisation Super IO
9A	L' initialisation USB est lancée
9B	Réinitialisation USB
9C	Détection USB
9D	USB activée
9E -9F	Réservé aux futurs codes AMI
A0	L' initialisation IDE est lancée
A1	Réinitialisation IDE
A2	Détection IDE
A3	IDE activé
A4	L' initialisation SCSI est lancée
A5	Réinitialisation SCSI

A6	Détection SCSI
A7	SCSI activé
A8	Configuration de vérification du mot de passe
A9	Démarrage de la configuration
AB	Configuration de l'attente d'entrée
AD	Événement Prêt à démarrer
AE	Événement de démarrage du mode Legacy Boot (Démarrage hérité)
AF	Quitter l'événement des services de démarrage
B0	Début de temps de définition d'adresse virtuelle MAP
B1	Fin de temps de définition d'adresse virtuelle MAP
B2	Initialisation des options Legacy de la mémoire ROM
B3	Réinitialisation du système
B4	Branchement à chaud de la USB
B5	Branchement à chaud du bus PCI
B6	Nettoyage de la NVRAM
B7	Réinitialisation de la configuration (réinitialisation des paramètres NVRAM)
B8 - BF	Réservé aux futurs codes AMI

Codes d'erreur DXE

D0	Erreur d'initialisation du processeur
D1	Erreur d'initialisation de l'agent système
D2	Erreur d'initialisation du PCH
D3	Certains protocoles architecturaux ne sont pas disponibles
D4	Erreur d'allocation des ressources PCI. Manque de ressources
D5	Aucun espace pour les options Legacy de la mémoire ROM
D6	Aucun périphérique de sortie de console n'est trouvé
D7	Aucun périphérique d'entrée de console n'est trouvé
D8	Mot de passe invalide
D9	Erreur lors du chargement de l'option de démarrage (erreur LoadImage)
DA	Echec de l'option de démarrage (erreur StartImage)
DB	Echec de la mise à jour du flash
DC	Le protocole de réinitialisation n'est pas disponible

Codes de progression de reprise S3

E0	La reprise S3 est lancée (le PPI de reprise S3 est appelé par le DXE IPL)
E1	Exécution du Boot Script S3
E2	Reposter la vidéo
E3	Appel du vecteur d'éveil S3 du système d'exploitation
E4 - E7	Réservé aux futurs codes de progression AMI

Codes d'erreur de reprise S3

E8	Echec de reprise S3
E9	Reprise S3 PPI introuvable
EA	Erreur de script de reprise démarrage S3
EB	Erreur de réveil du système d'exploitation S3
EC - EF	Réservé aux futurs codes d'erreur AMI

Codes de progression de la récupération

F0	Condition de récupération déclenchée par le firmware (récupération automatique)
F1	Condition de récupération déclenchée par l'utilisateur (récupération forcée)
F2	Le processus de récupération est lancé
F3	L'image de la récupération du firmware est trouvée
F4	L'image de la récupération du firmware est chargée
F5 - F7	Réservé aux futurs codes de progression AMI

Codes d'erreur de récupération

F8	La récupération PPI n'est pas disponible
F9	La capsule de récupération est introuvable
FA	Capsule de récupération invalide
FB - FF	Réservé aux futurs codes d'erreur AMI

Codes d'état ACPI

Les codes suivants apparaissent après le démarrage et après l'entrée du système d'exploitation en mode ACPI.

01	Le système entre en état de veille S1
02	Le système entre en état de veille S2
03	Le système entre en état de veille S3
04	Le système entre en état de veille S4
05	Le système entre en état de veille S5
10	Le système sort de l'état de mode veille S1
20	Le système sort de l'état de mode veille S2
30	Le système sort de l'état de mode veille S3
40	Le système sort de l'état de mode veille S4
AC	Le système est passé en mode ACPI. Le contrôleur d'interruption est en mode PIC.
AA	Le système est passé en mode ACPI. Le contrôleur d'interruption est en mode APIC.

Installer OS, Pilotes & Utilitaires

Veillez vous référer au site www.msi.com pour télécharger et mettre à jour les derniers utilitaires et pilotes.

Installer Windows® 10

1. Allumez l'ordinateur.
2. Insérez le disque ou la clé USB d'installation de Windows® 10 dans votre ordinateur.
3. Appuyez sur le bouton **Redémarrer (Restart)** du boîtier de l'ordinateur.
4. Appuyez sur la touche **F11** pendant le POST (Power-On Self Test) du système pour entrer dans le menu Boot Menu.
5. Choisissez le disque ou la clé USB d'installation de Windows® 10 dans le menu de démarrage.
6. Appuyez sur n'importe quelle touche lorsqu'apparaît le message **[Appuyez sur n'importe quelle touche pour démarrer du CD ou du DVD] (Press any key to boot from CD or DVD)**.
7. Suivez les instructions à l'écran pour installer Windows® 10.

Installer les pilotes

1. Allumez l'ordinateur sous Windows® 10.
2. Insérez le disque MSI® Driver Disc dans le lecteur optique.
3. Cliquez sur la fenêtre popup **Choisir quoi faire avec ce disque (Select to choose what happens with this disc)**, puis choisissez **Lancer DVDSSetup.exe (Run DVDSSetup.exe)** pour ouvrir l'outil d'installation. Si vous désactivez la fonction AutoPlay dans le panneau de configuration Windows, vous pouvez quand même exécuter manuellement **DVDSSetup.exe** à partir du chemin d'accès depuis la racine du disque de pilotes MSI.
4. L'outil d'installation trouvera et listera tous les pilotes dont vous avez besoin dans l'**onglet Pilotes/Logiciels (Drivers/Software)**.
5. Cliquez sur le bouton **Installer (Install)** dans le coin inférieur droit de la fenêtre.
6. L'installation des pilotes commence. Une fois terminée, il vous sera demandé de redémarrer.
7. Cliquez sur le bouton **OK** pour terminer.
8. Redémarrez votre ordinateur.

Installer les utilitaires

Avant d'installer les utilitaires, il faut compléter l'installation des pilotes.

1. Ouvrez l'outil d'installation comme décrit ci-dessus.
2. Cliquez sur l'onglet **Utilities**.
3. Choisissez les utilitaires que vous voulez installer.
4. Cliquez sur le bouton **Installer (Install)** dans le coin inférieur droit de la fenêtre.
5. L'installation des utilitaires commence. Une fois terminée, il vous sera demandé de redémarrer.
6. Cliquez sur le bouton **OK** pour terminer.
7. Redémarrez votre ordinateur.

Configuration du BIOS

Les réglages par défaut fournissent une performance optimale pour la stabilité du système en conditions normales. Veuillez à **toujours garder les réglages par défaut** pour éviter d'endommager le système ou tout problème au démarrage, sauf si vous êtes familier avec le BIOS.



Important

- Le BIOS est constamment mis à jour afin d'offrir de meilleures performances système. Par conséquent, la description peut différer selon la version de BIOS utilisée et n'est donc donnée qu'à titre de référence. Vous pouvez aussi vous référer à l'onglet **Help (Aide)** pour obtenir la description des fonctions du BIOS.
- Les photos ne sont données qu'à titre de référence et peuvent varier selon le produit que vous achetez.

Entrer dans l'interface Setup du BIOS

Pendant le démarrage, lorsqu'apparaît le message "**Press DEL key to enter Setup Menu, F11 to enter Boot Menu**" sur l'écran, veuillez appuyer sur la touche **Suppr**.

Touches de fonction

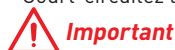
- F1** : Aide générale
- F2** : Ajouter ou supprimer un élément favori
- F3** : Entrer dans le menu Favoris
- F4** : Entrer dans le menu de réglages du processeur
- F5** : Entrer dans le menu Memory-Z
- F6** : Charger les réglages par défaut
- F7** : Alternner entre le mode avancé et le mode simplifié
- F8** : Charger le profil d'overclocking
- F9** : Sauvegarder le profil d'overclocking
- F10** : Sauvegarder les modifications et réglages*
- F12** : Prendre une capture d'écran et la conserver dans le lecteur flash USB (au format FAT/ FAT32 uniquement).
- Ctrl+F** : Entrer dans la page de recherche

* Lorsque vous appuyez sur F10, une fenêtre de confirmation apparaît et fournit l'information de modification. Choisissez entre Oui et Non pour confirmer.

Réinitialiser le BIOS

Il se peut que vous ayez besoin de récupérer les réglages BIOS par défaut pour résoudre des problèmes. Pour réinitialiser les réglages du BIOS, veuillez suivre l'une des méthodes suivantes :

- Allez dans le Setup du BIOS et appuyez sur **F6** pour charger les réglages par défaut.
- Court-circuitez le cavalier **Clear CMOS** sur la carte mère.



Assurez-vous que l'ordinateur est éteint avant d'effacer les données CMOS. Veuillez vous référer à la section cavalier **Clear CMOS** pour en savoir plus sur la réinitialisation du BIOS.

Mettre le BIOS à jour

Mettre le BIOS à jour avec M-FLASH

Avant la mise à jour :

Veuillez télécharger la dernière version de BIOS compatible à votre carte mère sur le site MSI. Ensuite, veuillez sauvegarder le nouveau BIOS sur le lecteur flash USB.

Mettre le BIOS à jour :

1. Connectez le lecteur Flash USB contenant le profil à le port USB.
2. Veuillez vous référer aux méthodes suivantes pour passer en mode flash.
 - Redémarrez et appuyez sur la touche **Ctrl + F5** pendant le processus de POST et cliquez sur **Yes (Oui)** pour redémarrer le système.
 - Redémarrez et appuyez sur la touche **Del** pendant le processus de POST pour entrer dans l'interface du BIOS. Cliquez le bouton **M-FLASH** et cliquez sur **Yes (Oui)** pour redémarrer le système.
3. Choisissez un profil BIOS pour commencer la mise à jour du BIOS.
4. Lorsque vous y êtes invité, accédez au BIOS ROM voulu avec le **commutateur Multi-BIOS**, puis cliquez sur **Yes (Oui)** pour lancer la restauration du BIOS.
5. Une fois la mise à jour terminée, le système redémarrera automatiquement.

Mettre le BIOS à jour avec MSI CREATOR CENTER

Avant la mise à jour :

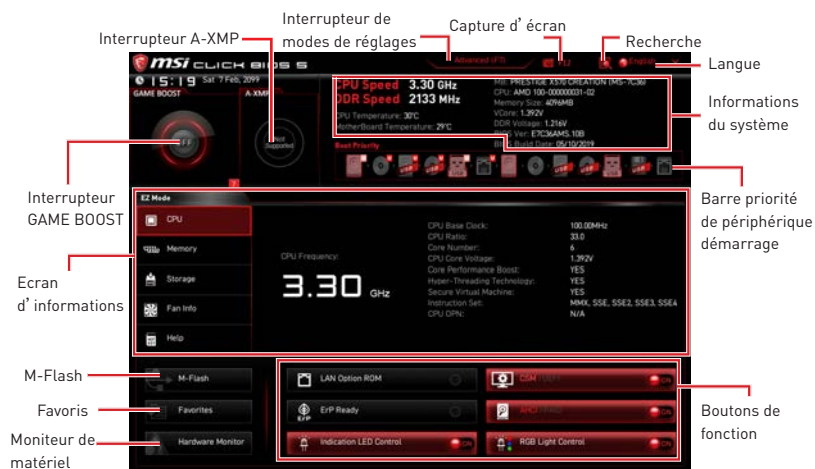
Assurez-vous que le lecteur LAN est bien installé et que l'ordinateur est correctement connecté à internet.

Mettre le BIOS à jour :

1. Installez et lancez MSI CREATOR CENTER.
2. Choisissez **BIOS Update (Mettre le BIOS à jour)**.
3. Cliquez sur le bouton **Scan**.
4. Cliquez sur l'icône **Download** pour télécharger et installer la dernière version du BIOS.
5. Cliquez sur **Next (Suivant)** et choisissez le mode **In Windows**. Ensuite, cliquez sur **Next (Suivant)** et **Start (Commencer)** pour lancer la mise à jour du BIOS.
6. Une fois la mise à jour terminée, le système redémarrera automatiquement.

EZ Mode

Le mode EZ vous fournit les informations basiques du système et vous permet de configurer les réglages de base. Si vous souhaitez configurer les réglages du BIOS, veuillez utiliser le mode Advanced en appuyant sur le **switch Setup Mode (Interrupteur de modes de réglages)** ou la touche de fonction **F7**.



• **Interrupteur GAME BOOST** - appuyez sur le bouton GAME BOOST pour activer cette fonctionnalité.

Important

Après l'activation de la fonction GAME BOOST, il est conseillé de ne faire aucune modification dans menu OC et de ne pas charger les réglages par défauts pour conserver des performances optimales et une bonne stabilité du système.

• **Interrupteur A-XMP (en option)** - cliquez sur le cercle intérieur pour activer ou désactiver A-XMP. Cliquez sur le cercle extérieur pour choisir le profil mémoire s' il y en a. Cet interrupteur est seulement disponible si le processeur et le module de mémoire installés prennent cette fonction en charge.

• **Interrupteur de modes de réglages** - appuyez sur ce menu ou la touche **F7** pour commuter entre le mode avancé et le mode simplifié.

• **Capture d'écran** - appuyez sur ce menu ou sur la touche **F12** pour prendre une capture d'écran et la conserver dans le lecteur flash USB (lecteur flash USB au format FAT ou FAT32 uniquement).

• **Recherche** - cliquez sur cet onglet ou sur les touches **Ctrl+F** pour faire apparaître la page de recherche. Cette page vous permet de faire des recherche en utilisant les noms des éléments du BIOS. Entrez le nom de l'élément et vous le trouverez ensuite dans la liste qui s'affichera alors. Déplacez la souris sur un espace vierge et faites un clic droit pour quitter la page de recherche.

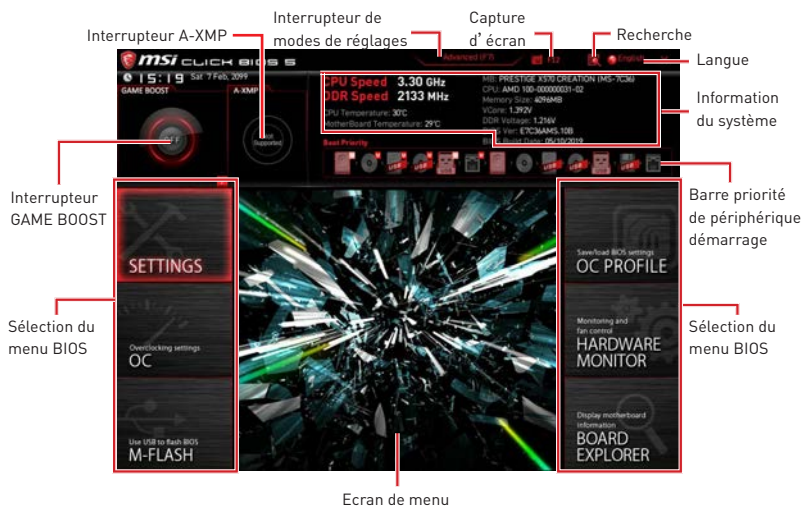
Important

Dans la page de recherche, seules les touches de fonction F6, F10 et F12 sont disponibles.

- **Langue** - vous permet de choisir la langue du BIOS.
- **Informations du système** - montre la vitesse et la tension du processeur et de la mémoire, la température du processeur et de la carte mère, le type de carte mère et de processeur, la capacité mémoire, la version du BIOS et la date d'installation.
- **Barre priorité de périphérique démarrage** - vous pouvez déplacer les icônes dédiés aux périphériques pour modifier la priorité au démarrage. Le sens de la priorité va de gauche à droite.
- **Ecran d'informations** - cliquez sur les boutons **CPU, Memory, Storage, Fan Info** et **Help (Aide)** à gauche de la fenêtre pour obtenir les informations respectives.
- **Boutons de fonction** - en cliquant sur leur bouton respectif, vous pourrez activer les fonctions **LAN Option ROM, CSM/UEFI, ErP Ready, AHCI, RAID, Indication LED Control** et **RGB Light Control**.
- **M-Flash** - cliquez sur ce bouton pour faire apparaître le menu **M-Flash** qui fournit la méthode de mise à jour BIOS à l'aide d'un disque flash USB.
- **Moniteur de matériel** - cliquez sur ce bouton pour faire apparaître le menu **Moniteur de matériel** qui vous permet de contrôler manuellement la vitesse des ventilateurs.
- **Favoris** - appuyez sur l'onglet **Favoris** ou appuyez sur la touche **F3** pour entrer dans le menu **Favoris**. Il vous permet de créer un menu BIOS personnalisé où vous pourrez sauvegarder et accéder à vos réglages favoris ou fréquemment utilisés.
 - **Default Homepage (page d'accueil par défaut)** - vous permet de choisir l'un des menus du BIOS (par exemple, Réglages, OC, etc.) comme page d'accueil.
 - **Favorite 1 ~ 5 (Favoris 1 ~ 5)** - vous permettent d'afficher les menus de réglages BIOS fréquemment utilisés ou les favoris sur une seule page.
 - **Ajouter les menus BIOS sur une seule page des favoris (Favoris 1~5)**
 1. Déplacez la souris sur un élément du BIOS, pas seulement dans le menu du BIOS mais également sur la page de recherche.
 2. Faites un clic droit ou appuyez sur la touche **F2**.
 3. Choisissez une page de favoris et cliquez sur **OK**.
 - **Supprimer un paramètre du BIOS de la page des favoris**
 1. Déplacez la souris sur un élément du BIOS sur la page des favoris (Favoris 1~5).
 2. Faites un clic droit ou appuyez sur la touche **F2**.
 3. Choisissez **Delete (Effacer)** et cliquez sur **OK**.

Advanced Mode (mode avancé)

Appuyez sur le **Setup Mode switch (interrupteur de modes de réglages)** ou sur la touche de fonction **F7** pour commuter entre le mode simplifié et le mode avancé.



• Sélection du menu BIOS - les options suivantes sont disponibles :

- **SETTINGS (Réglages)** - permet de personnaliser les paramètres du chipset et du démarrage des périphériques.
- **OC** - permet d'ajuster la fréquence et la tension. L'augmentation de la fréquence peut améliorer les performances.
- **M-FLASH** - permet de mettre le BIOS à jour avec un lecteur flash USB.
- **OC PROFILE** - permet de gérer les profils d'overclocking.
- **HARDWARE MONITOR (Moniteur de matériel)** - permet de régler la vitesse des ventilateurs et de surveiller la tension du système.
- **BOARD EXPLORER** - fournit des informations sur les périphériques installés sur la carte mère.

• Ecran de menu - affiche les menus de réglages BIOS et les informations à configurer.

OC Menu (menu overclocking)

Ce menu est destiné aux utilisateurs avancés souhaitant overclocker leur carte mère.



Important

- L'overclocking manuel du PC n'est recommandé que pour les utilisateurs avancés.
- L'overclocking n'est pas garanti et une mauvaise manipulation peut rendre nulle votre garantie et sévèrement endommager votre matériel.
- Si vous n'êtes pas familier avec l'overclocking, nous vous recommandons d'utiliser **GAME BOOST** pour un overclocking simplifié et plus stable.
- Les éléments du BIOS dans le menu OC peuvent varier selon le processeur.

► OC Explore Mode [Normal]

Active ou désactive le mode Normal ou Expert des réglages OC.

[Normal] Fournit les réglages OC standards dans les réglages BIOS.

[Expert] Fournit les réglages OC avancés pour les utilisateurs avancés et à configurer dans les réglages BIOS.

Remarque : Nous utilisons le symbole * pour indiquer les réglages OC du mode Expert.

► CPU Ratio [Auto]

Définit le ratio servant à déterminer la vitesse d'horloge du processeur. Ce menu peut être modifié uniquement si le processeur prend cette fonction en charge.

► Advanced CPU Configuration

Appuyez sur la touche **Entrée** pour entrer dans le sous-menu. L'utilisateur peut définir les paramètres concernant l'alimentation et le courant du processeur. Le système peut être instable ou peut ne plus redémarrer après le changement des paramètres. Dans ce cas-là, veuillez effacer les données CMOS et remettre les réglages par défaut.

► A-XMP [Disabled]

Activez la technologie A-XMP ou sélectionnez un profil de module de mémoire pour overclocker la mémoire. Ce menu est seulement disponible si les modules de mémoire, le processeur ou la carte mère installés prennent cette fonction en charge.

► DRAM Frequency [Auto]

Définit la fréquence de la mémoire. Veuillez noter que les résultats de l'overclocking ne sont pas garantis.

► Memory Try It ! [Disabled]

Memory Try It! permet d'améliorer la compatibilité ou les performances en optimisant les préreglages de la mémoire.

► Memory Retry Count [5]

Définit le nombre de tentatives d'overclocking de la mémoire. En cas d'échec, le réglage de cette valeur sur [5] permettra au système de redémarrer 5 fois avec la même configuration d'overclocking. Si l'overclocking échoue à chaque fois, le système réinitialisera la mémoire à ses valeurs par défaut.

► Advanced DRAM Configuration (optional)

Appuyez sur la touche **Entrée** pour entrer dans le sous-menu. L'utilisateur peut régler la synchronisation de mémoire de chaque barrette de mémoire. Le système peut être instable ou peut ne plus redémarrer après le changement de la synchronisation de la mémoire. Dans ce cas-là, veuillez effacer les données CMOS et remettre les réglages par défaut (référez-vous à la section cavalier/ bouton Clear CMOS pour effacer les données CMOS et entrez ensuite dans le BIOS pour charger les réglages par défaut).

► DigitALL Power

Appuyez sur la touche Entrée pour entrer dans le sous-menu. Gère l'alimentation numérique du contrôleur PWM du processeur.

► CPU Voltages control [Auto]

Permet de définir les tensions relatives au processeur. En mode **Auto**, le BIOS configure ces tensions automatiquement. Vous pouvez également les paramétrer manuellement.

► DRAM Voltages control [Auto]

Permet de définir les tensions relatives à la mémoire. En mode **Auto**, le BIOS configure ces tensions automatiquement. Vous pouvez également les paramétrer manuellement.

► Memory Changed Detect [Enabled]*

Active ou désactive les messages d'alerte système au démarrage suite au remplacement du processeur ou de la mémoire.

[Enabled] Le système montre un message d'alerte pendant le démarrage et vous devez charger les réglages par défaut pour les nouveaux périphériques.

[Disabled] Désactive cette fonction et garde les réglages BIOS actuels.

► CPU Specifications

Appuyez sur la touche **Entrée** pour accéder au sous-menu. Ce sous-menu affiche les caractéristiques du processeur installé. Vous pouvez également accéder à ce sous-menu à tout moment en appuyant sur la touche [F4]. Fonctionne en lecture seule.

► CPU Technology Support

Appuyez sur la touche **Entrée** pour accéder au sous-menu. Ce sous-menu affiche les principales fonctions et technologies prises en charge par le processeur installé. Fonctionne en lecture seule.

► MEMORY-Z

Appuyez sur la touche **Entrée** pour accéder au sous-menu. Ce sous-menu affiche tous les réglages et timings de la mémoire installée. Vous pouvez également accéder à ce sous-menu à tout moment en appuyant sur la touche [F5].

► DIMMx Memory SPD

Appuyez sur la touche **Entrée** pour accéder au sous-menu. Ce sous-menu affiche les caractéristiques de la mémoire installée. Fonctionne en lecture seule.

► CPU Features

Appuyez sur la touche **Entrée** pour accéder au sous-menu.

► Simultaneous Multi-Threading [Enabled] (optional)

Active ou désactive la technologie AMD Simultaneous Multi-Threading. Cette fonction ne sera utilisable que si le processeur installé y est compatible.

► Global C-state Control [Enabled] (optional)

Activer ou désactiver l'interface C-state et DF C-states basée sur l'E/S.

► Opcache Control [Auto] (optional)

Activer ou désactiver Opcache. Opcache mémorise l'instruction de décodage la plus récente pour sauvegarder le temps de décodage lorsque l'instruction est répétée. Cela peut améliorer la performance du processeur et réduire légèrement la consommation d'énergie.

► IOMMU Mode (optional)

Active ou désactive l'IOMMU (I/O Memory Management Unit) pour I/O Virtualization.

► Spread Spectrum (optional)

Cette fonction réduit les interférences électromagnétiques EMI (Electromagnetic Interference) en réglant les impulsions du générateur d'horloge.

[Enabled] Active la fonction spread spectrum pour réduire le problème EMI (Electromagnetic Interference).

[Disabled] Améliore la capacité d'overclocking de la base clock CPU.

Important

- Si vous n'avez pas de problème d'EMI, laissez l'option sur [Disable], ceci vous permet d'avoir une stabilité du système et des performances optimales. Dans le cas contraire, choisissez Spread Spectrum pour réduire les EMI.
- Plus la valeur Spread Spectrum est importante, plus les EMI sont réduites, et le système devient moins stable. Pour la valeur Spread Spectrum la plus convenable, veuillez consulter le règlement EMI local.
- N'oubliez pas de désactiver la fonction Spread Spectrum si vous êtes en train d'overclocker parce que même un battement léger peut causer un accroissement temporaire de la vitesse de l'horloge qui verrouillera votre processeur overclocké.

► **AMD Cool' n' Quiet [Enabled]**

La technologie Cool' n' Quiet peut efficacement et dynamiquement réduire la vitesse et la consommation d'énergie du processeur.

► **SVM Mode [Enabled]**

Active ou désactive le mode AMD SVM (Secure Virtual Machine).

► **Power Supply Idle Control [Auto] [optional]**

Cette fonction vous permet de choisir le mode de contrôle d'économie d'énergie pour le processeur si tous les cœurs ne sont pas en état C0. En **Auto**, le BIOS configurera ce réglage.

Inhalt

Sicherheitshinweis	3
Spezifikationen	4
JCORSAIR1 Anschluss-Spezifikationen	10
Packungsinhalt	11
Rückseite E/A	12
LAN Port LED Status Table.....	12
Konfiguration der Audioanschlüsse.....	12
Realtek Audio Console	13
Antennen installieren	15
Übersicht der Komponenten	16
CPU Sockel	17
DIMM Steckplätze.....	18
PCI_E1~7: PCIe Erweiterungssteckplätze	19
M2_1~2: M.2 Steckplätze (Key M)	22
JAUD1: Audioanschluss des Frontpanels	23
Installation der M.2 XPANDER-Z GEN 4 Karte.....	24
JFP1, JFP2: Frontpanel-Anschlüsse.....	26
SATA1~6: SATA 6Gb/s Anschlüsse.....	26
CPU_PWR1~2, ATX_PWR1: Stromanschlüsse.....	27
CPU_FAN1, PUMP_FAN1, SYS_FAN1~7: Stromanschlüsse für Lüfter	28
T_SEN1~2: Anschlüsse für einen Temperaturfühler	29
JUSB5: USB 3.2 Gen2 Typ-C Anschluss.....	29
JUSB3~4: USB 3.2 Gen1 Anschlüsse	30
JUSB1~2: USB 2.0 Anschlüsse.....	30
POWER1, RESET1: Power-Taste, Reset-Taste.....	31
JBAT1: Clear CMOS Steckbrücke (Reset BIOS)	31
JCI1: Gehäusekontaktanschluss	32
JTPM1: TPM Anschluss	32
JRGB1: RGB LED Anschluss	33
JRAINBOW1~2: Adressierbare RGB LED Anschlüsse	34
JCORSAIR1: CORSAIR Anschluss.....	35
Onboard LEDs	36
EZ Debug LED.....	36
A-XMP LED	36
JPWLED1: LED Stromzufuhr	36
CPU Power-LED	37
Debug-Code-LED	38

Hexadezimalzeichen.....	38
Boot-Phasen.....	38
Debug-Code-LED-Tabelle.....	38
ACPI Status-Codes.....	42
Installation von OS, Treibern und Utilities.....	43
Installation von Windows® 10.....	43
Installation von Treibern.....	43
Installation von Utilities.....	43
BIOS Setup.....	44
Öffnen des BIOS Setups.....	44
Reset des BIOS.....	45
Aktualisierung des BIOS.....	45
EZ Modus.....	46
Erweiterter Modus.....	48
OC Menü.....	49

Sicherheitshinweis

- Die im Paket enthaltene Komponenten sind der Beschädigung durch elektrostatischen Entladung (ESD). Beachten Sie bitte die folgenden Hinweise, um die erfolgreichen Computermontage sicherzustellen.
- Stellen Sie sicher, dass alle Komponenten fest angeschlossen sind. Lockere Steckverbindungen können Probleme verursachen, zum Beispiel: Der Computer erkennt eine Komponente nicht oder startet nicht.
- Halten Sie das Motherboard nur an den Rändern fest, und verhindern Sie die Berührung der sensiblen Komponenten.
- Um eine Beschädigung der Komponenten durch elektrostatische Entladung (ESD) zu vermeiden, sollten Sie eines elektrostatischen Armbands während der Handhabung des Motherboards tragen. Wenn kein elektrostatischen Handgelenkband vorhanden ist, sollten Sie Ihre statische Elektrizität ableiten, indem Sie ein anderes Metallobjekt berühren, bevor Sie das Motherboard anfassen.
- Bewahren Sie das Motherboard in einer elektrostatische Abschirmung oder einem Antistatiktuch auf, wenn das Motherboard nicht installiert ist.
- Überprüfen Sie vor dem Einschalten des Computers, dass sich keine losen Schrauben und andere Bauteile auf dem Motherboard oder im Computergehäuse befinden.
- Bitte starten Sie den Computer nicht, bevor die Installation abgeschlossen ist. Dies könnte permanente Schäden an den Komponenten sowie zu das Verletzung des Benutzers verursachen.
- Sollten Sie Hilfe bei der Installation benötigen, wenden Sie sich bitte an einen zertifizierten Computer-Techniker.
- Schalten Sie die Stromversorgung aus und ziehen Sie das das Stromkabel ab, bevor Sie jegliche Computer-Komponente ein- und ausbauen.
- Bewahren Sie die Bedienungsanleitung als künftige Referenz auf.
- Halten Sie das Motherboard von Feuchtigkeit fern.
- Bitte stellen Sie sicher, dass Ihre Netzspannung den Hinweisen auf dem Netzteil vor Anschluss des Netzteils an die Steckdose entspricht.
- Verlegen Sie das Netzkabel so, dass niemand versehentlich darauf treten kann. Stellen Sie nichts auf dem Netzkabel ab.
- Alle Achtungs- und Warnhinweise auf dem Motherboard müssen befolgt werden.
- Falls einer der folgenden Umstände eintritt, lassen Sie bitte das Motherboard von Kundendienstpersonal prüfen:
 - Flüssigkeit ist in dem Computer eingedrungen.
 - Das Motherboard wurde Feuchtigkeit ausgesetzt.
 - Das Motherboard funktioniert nicht richtig oder Sie können es nicht wie in der Bedienungsanleitung beschrieben bedienen.
 - Das Motherboard ist heruntergefallen und beschädigt.
 - Das Motherboard weist offensichtlich Zeichen eines Schadens auf.
- Nutzen und lagern Sie das Gerät nicht an Stellen, an denen Temperaturen von mehr als 60°C herrschen - das Motherboard kann in diesem Fall Schaden nehmen.

Spezifikationen

CPU	Unterstützt AMD Ryzen™ der 2. und 3. Generation Prozessoren/ Ryzen™ Prozessoren mit Radeon™ Vega Grafikprozessor und AMD Ryzen™ der 2. Generation Prozessoren mit Radeon™ Grafik-Desktop-Prozessoren für Sockel AM4
Chipsatz	AMD® X570 Chipsatz
Speicher	<ul style="list-style-type: none"> • 4x DDR4 Speicherplätze, aufrüstbar bis 128GB (je nach verwendetem Prozessor) <ul style="list-style-type: none"> ▪ Unterstützt 1866/ 2133/ 2400/ 2666Mhz durch JEDEC, 2666/ 2800/ 2933/ 3000/ 3066/ 3200/ 3466/ 3600/ 3733 /3866/ 4000/ 4133/ 4266/ 4400/ 4533 durch A-XMP OC Modi • Dual-Kanal-Speicherarchitektur • Unterstützt non-ECC UDIMM-Speicher • Unterstützt ECC UDIMM-Speicher (non-ECC Modus) • Unterstützt ungepufferte Speicher <p>* Weitere Informationen zu kompatiblen Speicher finden Sie unter: http://www.msi.com .</p>
Erweiterungsanschlüsse	<ul style="list-style-type: none"> • 2x PCIe 4.0/3.0 x16-Steckplätze (PCI_E2, PCI_E5) <ul style="list-style-type: none"> ▪ AMD Ryzen™ der 3. Generation Prozessoren unterstützt PCIe 4.0 x16/x0, x8/x8 Modi ▪ AMD Ryzen™ der 2. Generation Prozessoren unterstützt PCIe 3.0x16/x0, x8/x8 Modi ▪ Ryzen™ Prozessoren mit Radeon™ Vega Grafikprozessor und AMD Ryzen™ der 2. Generation Prozessoren mit Radeon™ Grafikprozessor unterstützen PCIe 3.0 x8 Modus • 1x PCIe 4.0/3.0 x16-Steckplatz (PCI_E7, unterstützt x4 Modus) • 4x PCIe 2.0 x1-Steckplätze <p>*Die Übertragungsgeschwindigkeit können von Gerät zu Gerät variieren</p>
Multi-GPU	<ul style="list-style-type: none"> • Unterstützt die 2-Wege NVIDIA® SLI™ Technologie • Unterstützt die 3-Wege AMD® CrossFire™ Technologie

Fortsetzung auf der nächsten Seite

Fortsetzung der vorherigen Seite

Aufbewahrung	<ul style="list-style-type: none">• 6x SATA 6Gb/s Anschlüsse (vom AMD® X570 Chipsatz)• 2x M.2 Steckplätze (Key M)*<ul style="list-style-type: none">▪ M2_1 Steckplatz (vom AMD® Prozessor) unterstützt PCIe 4.0 x4 (AMD Ryzen™ der 3. Generation Desktop-Prozessoren) oder PCIe 3.0 x4 (AMD Ryzen™ der 2. Generation Prozessoren/ Ryzen™ Prozessoren mit Radeon™ Vega Grafikprozessor und AMD Ryzen™ der 2. Generation Prozessoren mit Radeon™ Grafikprozessor) 2242/2260/2280 Speichergeräte▪ M2_2 Steckplatz (vom AMD® X570 Chipsatz) unterstützt PCIe 4.0 x4 (AMD Ryzen™ der 3. Generation Prozessoren) or 3.0 x4 (AMD Ryzen™ der 2. Generation Prozessoren/ Ryzen™ Prozessoren mit Radeon™ Grafikprozessor und AMD Ryzen™ der 2. Generation Prozessoren mit Radeon™ Grafikprozessor) und SATA 6Gb/s 2242/ 2260/ 2280/ 22110 Speichergeräte <p>*Die Speichergeschwindigkeiten können von Gerät zu Gerät variieren</p>
RAID	AMD® X570 Chipsatz <ul style="list-style-type: none">• Unterstützt RAID 0, RAID 1 und RAID 10
LAN	<ul style="list-style-type: none">• 1x Intel® I211AT Gigabit LAN Controller• 1x Aquantia® AQC107 10-Gigabit LAN Controller
WiFi & Bluetooth	Intel® Wi-Fi 6 AX200 <ul style="list-style-type: none">• Das Wireless-Modul ist im M2_WIFI1 (Key-E) Steckplatz vorinstalliert• Unterstützt 802.11 a/b/g/n/ac/ax, MU-MIMO Rx, 2,4 GHz- 5 GHz (160 MHz) bis zu 2,4 Gbit/s• Unterstützt Bluetooth® 5

Fortsetzung auf der nächsten Seite

Fortsetzung der vorherigen Seite

USB	<ul style="list-style-type: none">• AMD® X570 Chipsatz<ul style="list-style-type: none">▪ 1x USB 3.2 Gen2 (SuperSpeed USB 10Gbps) Typ-C interner Anschluss▪ 12x USB 3.2 Gen1 (SuperSpeed USB) Anschlüsse (8 Typ-A Anschlüsse an der rückseitigen Anschlussleiste, 4 Anschlüsse stehen durch die internen USB 3.2 Gen1 Anschlüsse zur Verfügung)▪ 6x USB 2.0 (High-speed USB) Anschlüsse (2 Typ-A Anschlüsse an der rückseitigen Anschlussleiste, 4 Anschlüsse stehen durch die internen USB 2.0 Anschluss zur Verfügung)• AMD® Prozessor<ul style="list-style-type: none">▪ 2x USB 3.2 Gen2 (AMD Ryzen™ der 3. Generation Prozessoren) oder USB 3.2 Gen1 (AMD Ryzen™ der 2. Generation Prozessoren/ Ryzen™ Prozessoren mit Radeon™ Vega Grafikprozessor und AMD Ryzen™ der 2. Generation Prozessoren mit Radeon™ Grafikprozessor) Typ-A und Typ-C Anschlüsse an der rückseitigen Anschlussleiste▪ 2x USB 3.2 Gen1 (SuperSpeed USB) Typ-A Anschlüsse an der rückseitigen Anschlussleiste
Audio	<p>1x Realtek® ALC1220 Codec</p> <ul style="list-style-type: none">• 7.1-Kanal-HD-Audio• Unterstützt den S/PDIF-Ausgang
Hintere Ein- und Ausgänge	<ul style="list-style-type: none">• 1x Clear CMOS Taste• 1x PS/2 Tastatur/ Maus-Combo-Anschluss• 2x USB 2.0 Anschlüsse• 2x Wi-Fi Antennenanschlüsse• 10x USB 3.2 Gen1 Typ-A Anschlüsse• 1x Gigabit LAN (RJ45) Anschluss• 1x 10-Gigabit LAN (RJ45) Anschluss• 2x USB 3.2 Gen2 Typ-A & Typ-C Anschluss (je nach verwendetem Prozessor)• 5x OFC Audiobuchsen• 1x Optischer S/PDIF-Ausgang


Fortsetzung auf der nächsten Seite

Fortsetzung der vorherigen Seite

Interne Anschlüsse	<ul style="list-style-type: none">• 1x 24-poliger ATX Stromanschluss• 2x 8-polige ATX 12V Stromanschlüsse• 6x SATA 6Gb/s Anschlüsse• 2x M.2 Steckplätze (M-Key)• 1x USB 3.2 Gen2 Typ-C Anschluss• 2x USB 3.2 Gen1 Anschlüsse (unterstützt zusätzliche 4 USB 3.2 Gen1 Ports)• 2x USB 2.0 Anschlüsse (unterstützt zusätzliche 4 USB 2.0 Ports)• 1x 4-poliger CPU-Lüfter-Anschluss• 1x 4-poliger Anschluss für die Wasserpumpe• 7x 4-polige System-Lüfter-Anschlüsse• 1x Audioanschluss des Frontpanels• 2x System-Panel-Anschlüsse• 1x Gehäusekontaktschalter• 1x TPM Anschluss• 2x 2-polige Anschlüsse für einen Temperaturfühler• 1x 4-poliger RGB LED Anschluss• 2x 3-polige RAINBOW LED Anschlüsse• 1x 3-poliger CORSAIR LED Anschluss
Interne Tasten	<ul style="list-style-type: none">• 1x Power Taste• 1x Reset Taste
Debug LED	<ul style="list-style-type: none">• 1x 2-Digit Debug Code LED• 4x EZ Debug LED
E/A Anschluss	NUVOTON NCT6797 Controller Chip
Hardware Monitor	<ul style="list-style-type: none">• CPU/System/Chipsatz Temperaturerfassung• CPU/System/Chipsatz Geschwindigkeitserfassung• CPU/System/Chipsatz Lüfterdrehzahlregelung
Formfaktor	<ul style="list-style-type: none">• E-ATX Formfaktor• 12 Zoll x 10,7 Zoll (30,5 cm x 27,2 cm)

Fortsetzung auf der nächsten Seite

Fortsetzung der vorherigen Seite

BIOS Funktionen	<ul style="list-style-type: none">• 1x 256 Mb Flash• UEFI AMI BIOS• ACPI 6.1, SMBIOS 2.8• Mehrsprachenunterstützung
Software	<ul style="list-style-type: none">• Treiber• CREATOR CENTER• Nahimic Audio• CPU-Z MSI GAMING• MSI App Player (BlueStacks)• Google Chrome™, Google Toolbar, Google Drive• Norton™ Internet Security Solution
Creator Center Funktionen	<ul style="list-style-type: none">• CREATOR OPTIMIZATION• High Performance• Hardware Monitor• LAN Manager• True Color• Mystic Light• Live Update  <p>Weitere Informationen finden Sie unter http://download.msi.com/manual/mb/CREATORCENTER.pdf</p>

Fortsetzung auf der nächsten Seite

Fortsetzung der vorherigen Seite

**Besondere
Funktionen**

- Audio
 - Audio Boost 4
 - Nahimic 3
 - Voice Boost
- Netzwerk
 - 10G SUPER LAN
 - GAMING LAN mit Gaming LAN Manager
 - Intel WiFi
- Speicherung
 - Lightning Gen4 M.2
 - Twin M.2
- Kühlung
 - FROZR Heatsink Design
 - Propeller Blade Technologie
 - M.2 Shield FROZR
 - Extended Heatsink Design
 - Pump-Lüfter
 - GAMING Lüftersteuerung
- LED
 - Mystic Light 3
 - Mystic Light Extension (RGB)
 - Mystic Light Extension (RAINBOW)
 - Mystic Light Extension (CORSAIR)
 - Mystic Light Sync
 - EZ DEBUG LED
- Schutz
 - PCIe Steel Armor
 - DDR4 Steel Armor
 - M.2 Shield FROZR

Fortsetzung auf der nächsten Seite

Fortsetzung der vorherigen Seite

Besondere Funktionen	<ul style="list-style-type: none">• Leistung<ul style="list-style-type: none">▪ Lightning Gen4 PCI-E Slot▪ Multi GPU-SLI Technologie▪ Multi GPU-CrossFire Technologie▪ DDR4 Boost▪ Core Boost▪ GAME Boost▪ USB Anschluss mit Typ A+C▪ AMD Turbo USB 3.2 Gen 2▪ Front USB Typ-C▪ Dual CPU Power• Gamer-Erfahrungen<ul style="list-style-type: none">▪ GAMING HOTKEY▪ GAMING Maussteuerung▪ SPEED UP▪ Totale Lüftersteuerung▪ Live Update▪ APP Player• BIOS<ul style="list-style-type: none">▪ Click BIOS 5
-----------------------------	---

JCORSAIR1 Anschluss-Spezifikationen

Unterstützung von CORSAIR RGB Produkten	Maximale Verbindung
Lighting Node PRO LED Streifen	20* * Wenn die Anzahl der LED-Streifen 8 überschreitet, wird die Helligkeit auf 20 Prozent empfohlen.
HD120 RGB Lüfter	6
SP120 RGB Lüfter	6
LL120 RGB Lüfter	6

Packungsinhalt

Überprüfen Sie den Packungsinhalt des Mainboards. Die Packung sollte enthalten:

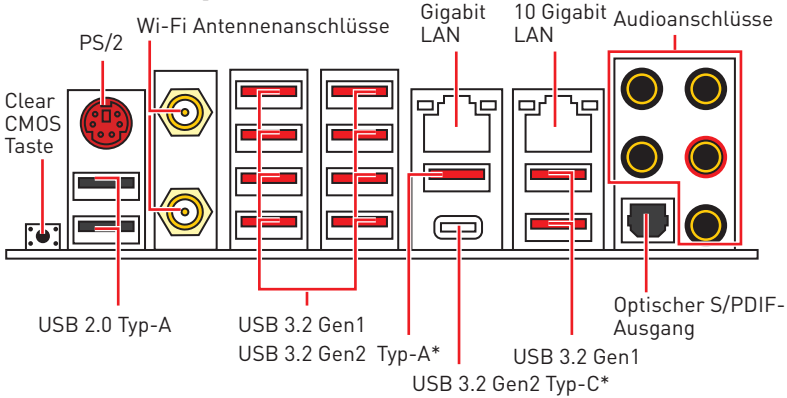
Motherboard	PRESTIGE X570 CREATION	
Kabel	SATA 6Gb/s Kabel	4
	1 zu 2 RGB LED Y-Verlängerungskabel 80 cm	1
	CORSAIR RGB LED Verlängerungskabel 50 cm	1
	RAINBOW RGB LED Verlängerungskabel 80 cm	1
	Thermistorkabel	2
Zubehör	Antennenset	1
	M.2 Xpander-Z Gen4	1
	8.5H M.2 Schrauben	2
	Gehäuse-Aufkleber	1
	SATA-Kabeletiketten	1
	Produktregistrierungskarte	1
Programm DVD	Treiber DVD	1
Dokumentation	Benutzerhandbuch	1
	Kurzanleitung	1



Wichtig

Falls einer der oben aufgeführten Artikel beschädigt ist oder fehlt, wenden Sie sich bitte an Ihren Händler.

Rückseite E/A



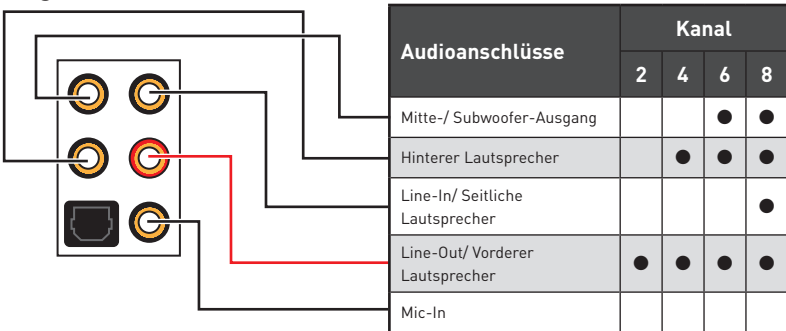
*USB 3.2 Gen2 (AMD Ryzen™ der 3. Generation Prozessoren) oder USB 3.2 Gen1 (AMD Ryzen™ der 2. Generation Prozessoren/ Ryzen™ Prozessoren mit Radeon™ Vega Grafikprozessor und AMD Ryzen™ der 2. Generation Prozessoren mit Radeon™ Grafikprozessor)

• **Clear CMOS Taste** - Schalten Sie den Computer aus. Halten Sie die Taste "Clear CMOS" für 5-10 Sekunden gedrückt, um das BIOS auf die Standardwerte zurückzusetzen.

LAN Port LED Status Table

Verbindung/ Aktivität LED			Geschwindigkeit LED		
Zustand	Bezeichnung		Zustand		
Aus	Keine Verbindung		Zustand	Gigabit LAN	10 Gigabit LAN
Gelb	Verbindung		Aus	10 Mbps	N/A
Blinkt	Datenaktivität		Grün	100 Mbps	100 M/ 1G bps
			Orange	1 Gbps	10 Gbps

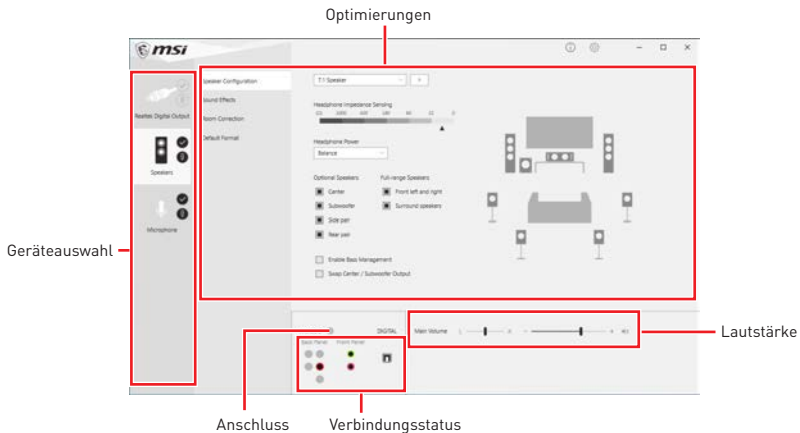
Konfiguration der Audioanschlüsse



(●: Verbindet, **Blank:** Leer)

Realtek Audio Console

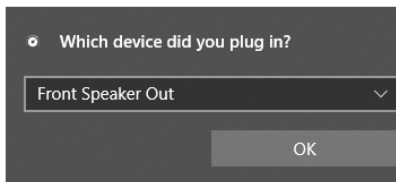
Nach der Installation des Realtek Audio Console-Treibers, können Sie die Audioeinstellungen verändern, um ein optimales Klangerlebnis zu erzeugen.



- **Geräteauswahl** - Ermöglicht die Auswahl der Audio-Ausgangs Quelle. Das aktuell aktivierte Gerät ist mit einem Haken gekennzeichnet.
- **Optimierungen** - Die Vielfalt an Optionen bietet eine komplette Anleitung von erwarteten Sound-Effekt für beide Ausgangs- und Eingangsvorrichtung.
- **Lautstärke** - Steuert die Lautstärke und die Balance-Einstellung der Lautsprecher, die im Front-Panel oder auf der Rückseite des PCs eingesteckt sind.
- **Verbindungsstatus** - Bildet die angeschlossenen Render- und Capture-Geräte ab.
- **Anschlüsse** - Konfiguriert die Anschlusseinstellungen.

Auto Pop-up-Dialog

Nach dem Anschluss eines Audio-Klinkensteckers erscheint ein Dialogfenster und fragt nach einer Bestätigung für das angeschlossene Gerät.



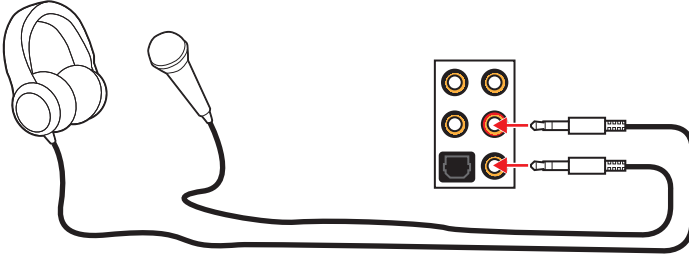
Jede Buchse entspricht diesem Wert der Grundeinstellung, wie es auf den nächsten Seiten gezeigt wird.



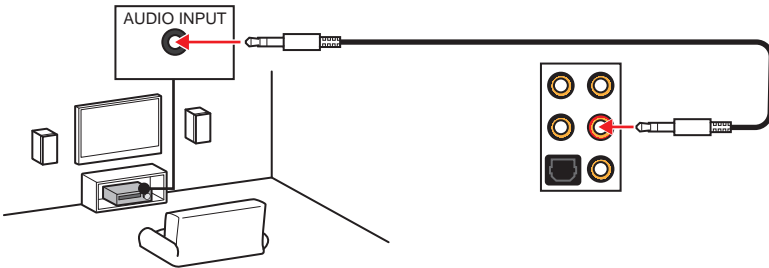
Wichtig

Die obige Bilder stellen lediglich Referenzen dar und können von dem von Ihnen erworbenen Produkt abweichen.

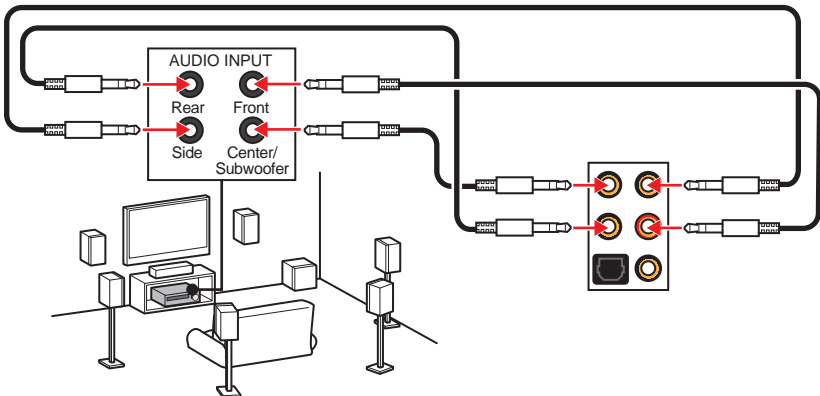
Audiobuchsen für den Anschluss von einem Kopfhörer und Mikrophon



Audiobuchsen für Stereo-Lautsprecher

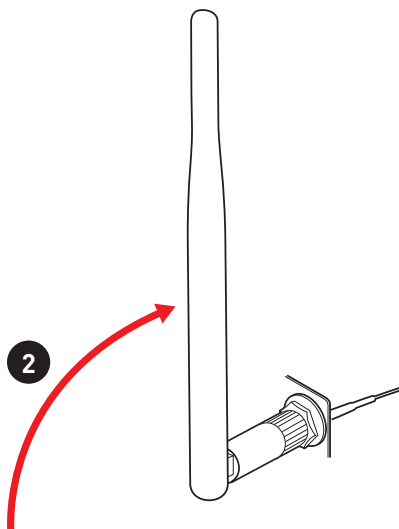
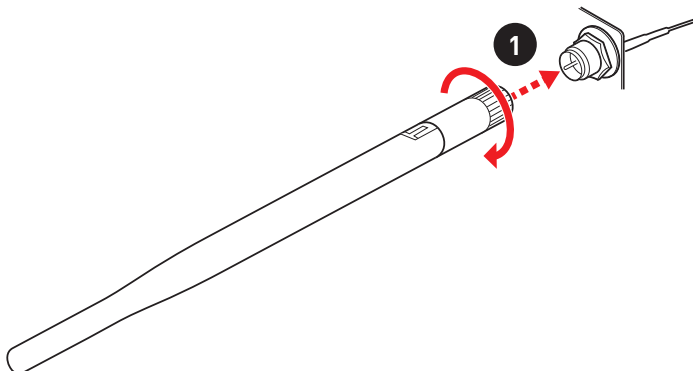


Audiobuchsen für 7.1 Kanal Anlage

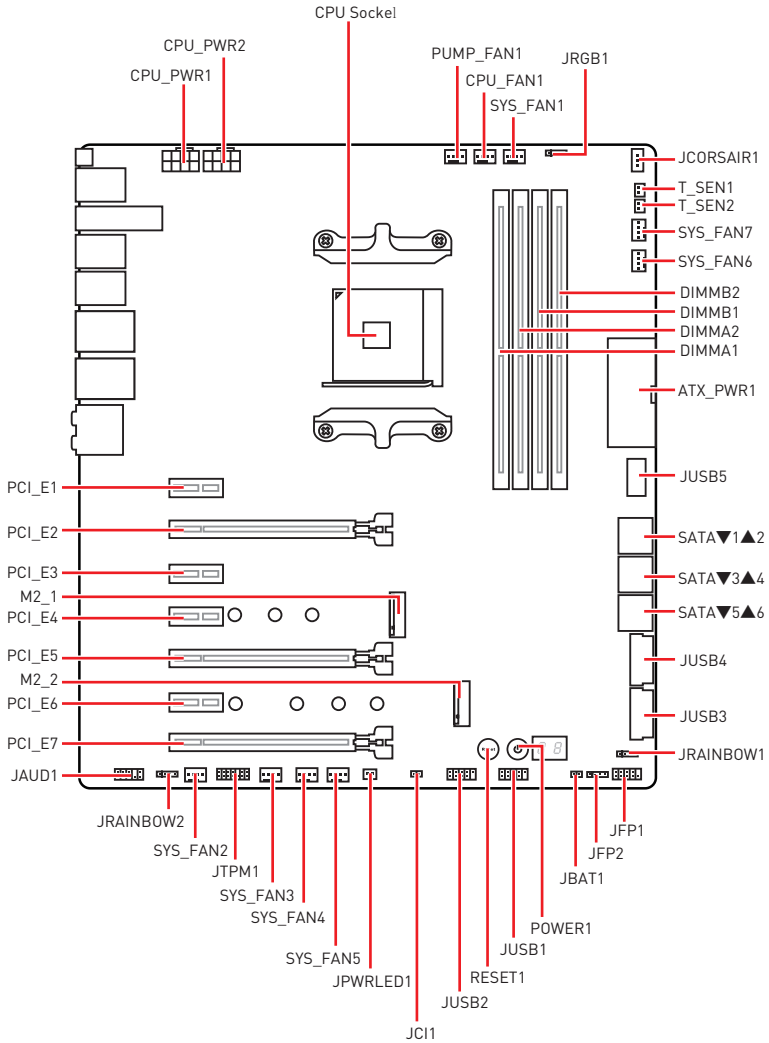


Antennen installieren

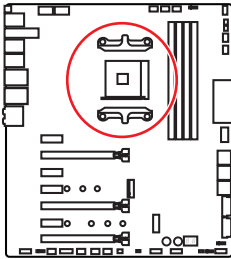
1. Schrauben Sie die Antennen fest an die Antennenanschlüsse, wie gezeigt.
2. Richten Sie die Antennenspitzen aus.



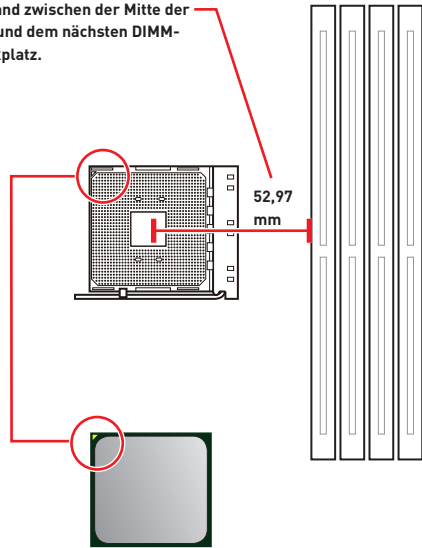
Übersicht der Komponenten



CPU Socket



Abstand zwischen der Mitte der CPU und dem nächsten DIMM-Steckplatz.



Erklärung zur AM4 CPU

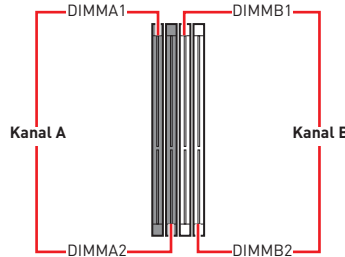
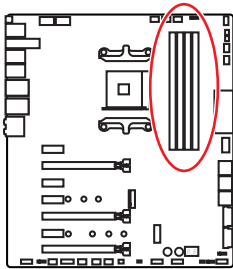
Die Oberseite der AM4 CPU hat ein gelbes Dreieck um die korrekte Ausrichtung der CPU auf dem Motherboard zu gewährleisten. Das gelbe Dreieck des Prozessors definiert die Position des ersten Pins.



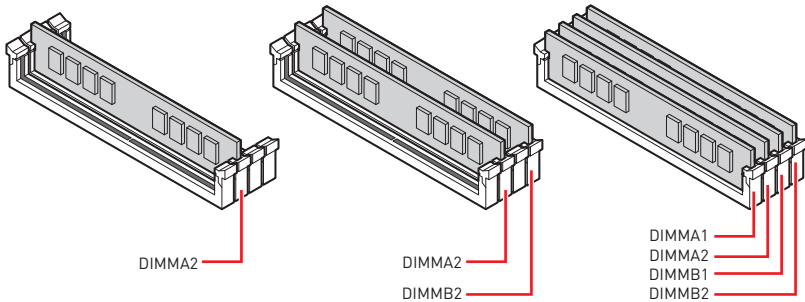
Wichtig

- Bei einem Wechsel der CPU sollte aufgrund der AM4-Prozessorarchitektur die Systemkonfiguration gelöscht und das BIOS auf die Standardwerte zurückgesetzt werden.
- Ziehen Sie das Netzkabel ab, bevor Sie die CPU ein- und ausbauen.
- Wenn Sie die CPU einbauen, denken Sie bitte daran einen CPU-Kühler zu installieren. Ein CPU-Kühlkörper ist notwendig, um eine Überhitzung zu vermeiden und die Systemstabilität beizubehalten.
- Stellen Sie sicher, dass Ihr Kühlkörper eine feste Verbindung mit der CPU hergestellt hat, bevor Sie Ihr System starten.
- Überhitzung beschädigt die CPU und das System nachhaltig. Stellen Sie stets eine korrekte Funktionsweise des CPU Kühlers sicher, um die CPU vor Überhitzung zu schützen. Stellen Sie sicher, dass eine gleichmäßige Schicht thermischer Paste oder thermischen Tapes zwischen der CPU und dem Kühlkörper vorhanden ist, um die Wärmeableitung zu erhöhen.
- Verwenden Sie bitte die Installationsanweisung des Kühlkörpers/Kühlers, falls Sie eine separate CPU oder einen Kühlkörper/ Kühler erworben haben.
- Dieses Motherboard wurde so entworfen, dass es Übertakten unterstützt. Stellen Sie jedoch bitte sicher, dass die betroffenen Komponenten mit den abweichenden Einstellungen während des Übertaktens zurecht kommen. Von jedem Versuch des Betriebes außerhalb der Produktspezifikationen kann nur abgeraten werden. MSI übernimmt keinerlei Garantie für die Schäden und Risiken, die aus einem unzulässigem Betrieb oder einem Betrieb außerhalb der Produktspezifikation resultieren.

DIMM Steckplätze



Mehrere Grafikkarten Einbauempfehlung



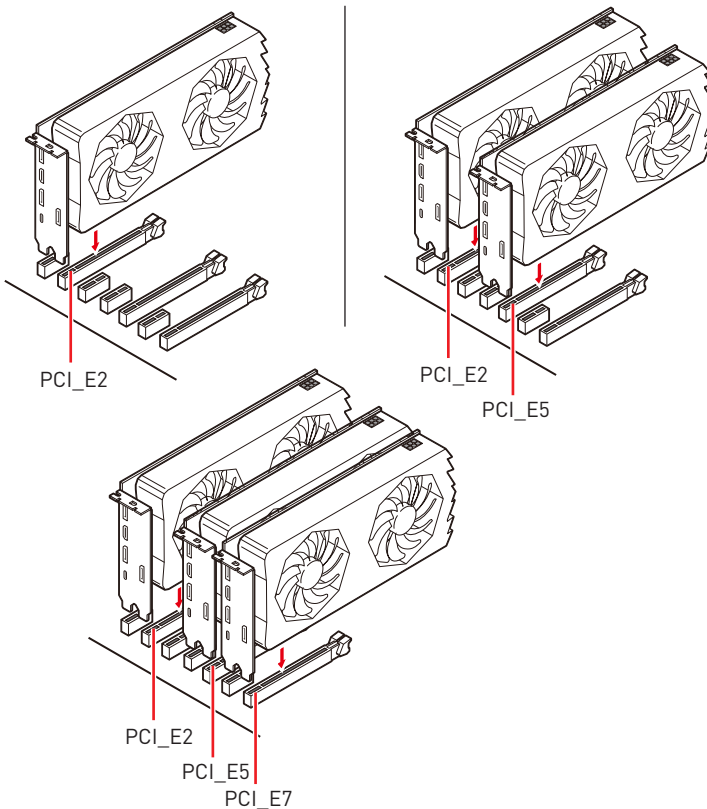
Wichtig

- Um einen sicheren Systemstart zu gewährleisten, bestücken Sie immer **DIMMA2** zuerst.
- Aufgrund der Chipsatzressourcennutzung wird die verfügbare Kapazität des Speichers kleiner sein als die Größe der installierten Speicherkapazität.
- Basierend auf der Prozessorspezifikation wird eine Speicherspannung unter 1,35 Volt vorgeschlagen, um der Prozessor zu schützen.
- Einige Speichermodule können beim Übertakten auf einer niedrigeren Frequenz arbeiten, als der festgelegte Wert - abhängig von dem SPD (Serial Presence Detect). Stellen Sie im BIOS-Setup mit **DRAM Frequency!** die Speicherfrequenz ein, wenn Sie mit der festgelegten oder einer höheren Speicherfrequenz arbeiten möchten.
- Es wird empfohlen, ein effizienteres Speicherkühlsystem bei einer Vollbestückung des DIMMs oder beim Übertakten zu verwenden.
- Die Stabilität und Kompatibilität beim Übertakten der installierten Speichermodule sind abhängig von der installierten CPU und den installierten Geräten.
- Speichermodule können auf Basis der offiziellen Spezifikation der AM4 CPU/ Speicher-Controller mit einer niedrigeren Frequenz unter dem Standardzustand arbeiten. Weitere Informationen zu kompatiblen Speichermodulen finden Sie unter: <http://www.msi.com>.

PCI_E1~7: PCIe Erweiterungssteckplätze

Steckplätze	AMD Ryzen™ der 3. Generation Prozessoren	AMD Ryzen™ der 2. Generation Prozessoren	Ryzen™ Prozessoren mit Radeon™ Vega Grafikprozessor und AMD Ryzen™ der 2. Generation Prozessoren mit Radeon™ Grafikprozessor
PCI_E1	PCIe 2.0 x1	PCIe 2.0 x1	PCIe 2.0 x1
PCI_E2	PCIe 4.0 x16	PCIe 3.0 x16	PCIe 3.0 x8
PCI_E3	PCIe 2.0 x1	PCIe 2.0 x1	PCIe 2.0 x1
PCI_E4	PCIe 2.0 x1	PCIe 2.0 x1	PCIe 2.0 x1
PCI_E5	PCIe 4.0 x8	PCIe 3.0 x8	—
PCI_E6	PCIe 2.0 x1	PCIe 2.0 x1	PCIe 2.0 x1
PCI_E7	PCIe 4.0 x4	PCIe 3.0 x4	PCIe 3.0 x4

Mehrere Grafikkarten Einbauempfehlung (Ryzen™ Serie Prozessoren)



Wichtig

- Wenn Sie eine große und schwere Grafikkarte einbauen, benötigen Sie einen **Grafikkarten-Stabilisator (Graphics Card Bolster)** der das Gewicht trägt und eine Verformung des Steckplatzes vermeidet.
- Für die Installation einer einzelnen PCIe x16 Erweiterungskarte mit optimaler Leistung, empfehlen wir den **PCI_E2** Steckplatz zu verwenden.
- Achten Sie darauf, dass Sie den Strom abschalten und das Netzkabel aus der Steckdose herausziehen, bevor Sie eine Erweiterungskarte installieren oder entfernen. Lesen Sie bitte auch die Dokumentation der Erweiterungskarte, um notwendige zusätzliche Hardware oder Software-Änderungen zu überprüfen.

Tabelle der PCIe Bandbreiten

Für AMD Ryzen™ der 3. Generation Prozessoren

Steckplatz	Einzel	2-Wege	3-Wege
PCI_E2 (CPU)	Gen 4.0 x 16*	Gen 4.0 x 8*	Gen 4.0 x 8*
PCI_E5 (CPU)	—	Gen 4.0 x 8*	Gen 4.0 x 8*
PCI_E7 (PCH)	Gen 4.0 x 4	Gen 4.0 x 4	Gen 4.0 x 4*

Für AMD Ryzen™ der 2. Generation Prozessoren

Steckplatz	Einzel	2-Wege	3-Wege
PCI_E2 (CPU)	Gen 3.0 x 16*	Gen 3.0 x 8*	Gen 3.0 x 8*
PCI_E5 (CPU)	—	Gen 3.0 x 8*	Gen 3.0 x 8*
PCI_E7 (PCH)	Gen 3.0 x 4	Gen 3.0 x 4	Gen 3.0 x 4*

Für Ryzen™ Prozessoren mit Radeon™ Vega Grafikprozessor und AMD Ryzen™ der 2. Generation Prozessoren mit Radeon™ Grafikprozessor

Steckplatz	Einzel	2-Wege
PCI_E2 (CPU)	Gen 3.0 x 8*	Gen 3.0 x 8*
PCI_E5 (CPU)	—	—
PCI_E7 (PCH)	Gen 3.0 x 4	Gen 3.0 x 4*

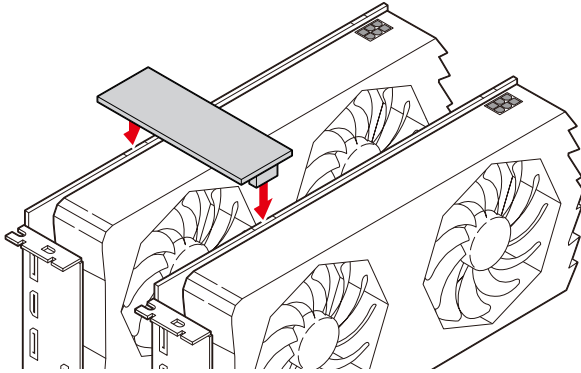
(—: Leer, *: Grafikkarte)

Einbau von SLI-Grafikkarten

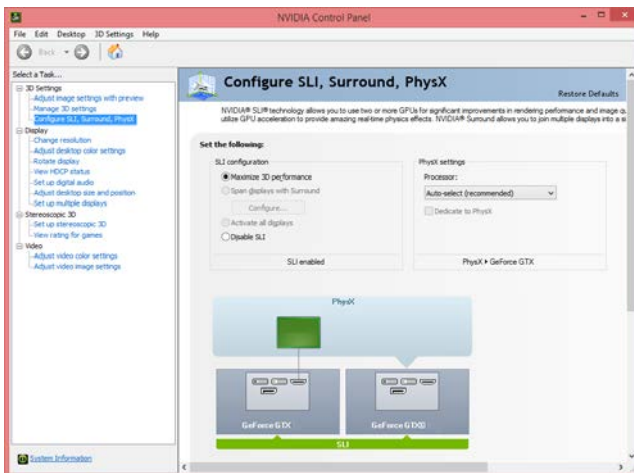
Stellen Sie eine ausreichende Stromversorgung für SLI-Konfigurationen sicher. Die notwendigen Informationen können Sie aus dem Handbuch Ihrer Grafikkarte entnehmen.

Installation der SLI-Grafikkarten:

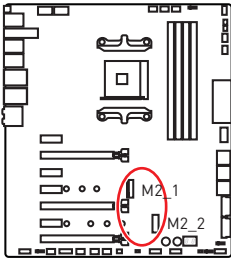
1. Schalten Sie Ihren Computer aus und ziehen Sie die Kabel ab. Installieren Sie Ihre Grafikkarten im **PCI_E2** und **PCI_E5** Slot.
2. Verbinden Sie beide Karten mit einer **SLI-Brücke**.



3. Verbinden Sie alle PCIe-Stromanschlüsse der Grafikkarten.
4. Schließen Sie das Netzkabel wieder an und schalten Sie den Computer ein. Installieren Sie die Treiber und die Software, die im Lieferumfang Ihrer Grafikkarten enthalten sind.
5. Klicken Sie in Ihrem Windows-Desktop auf die rechte Maustaste, und wählen Sie **NVIDIA Control Panel** aus dem Menü aus. Klicken Sie auf **Configure SLI, Surround, PhysX** im linken Task-Fensterbereich und wählen Sie **Maximize 3D performance** im SLI-Konfigurationsmenü aus, und klicken Sie dann auf **Anwenden (Apply)**.



M2_1~2: M.2 Steckplätze (Key M)

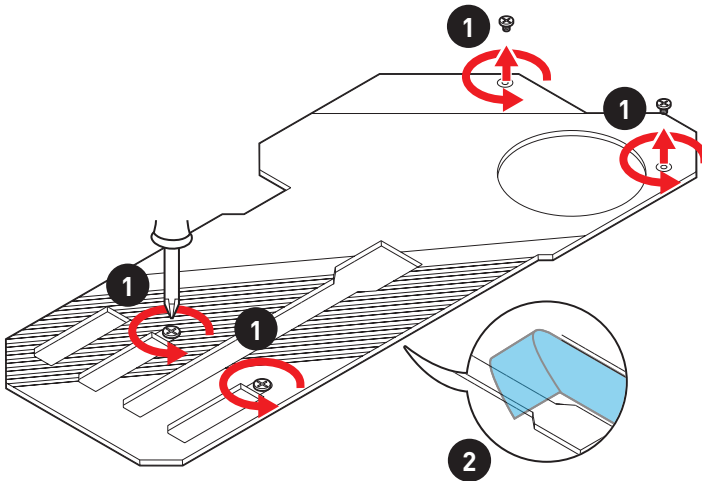


Die folgende Tabelle stellt den M.2-Steckplätzen und der PCIe-Bandbreite der Prozessoren dar.

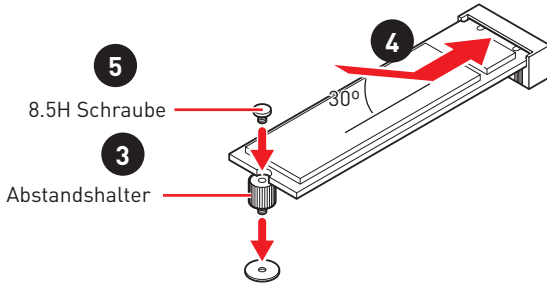
Steckplätze	AMD Ryzen™ der 3. Generation Prozessoren	AMD Ryzen™ der 2. Generation Prozessoren	Ryzen™ Prozessoren mit Radeon™ Vega Grafikprozessor und AMD Ryzen™ der 2. Generation Prozessoren mit Radeon™ Grafikprozessor
M2_1	PCIe 4.0 x4	PCIe 3.0 x4	PCIe 3.0 x4
M2_2	PCIe 4.0 x4	PCIe 3.0 x4	PCIe 3.0 x4

Installation eines M.2 Moduls

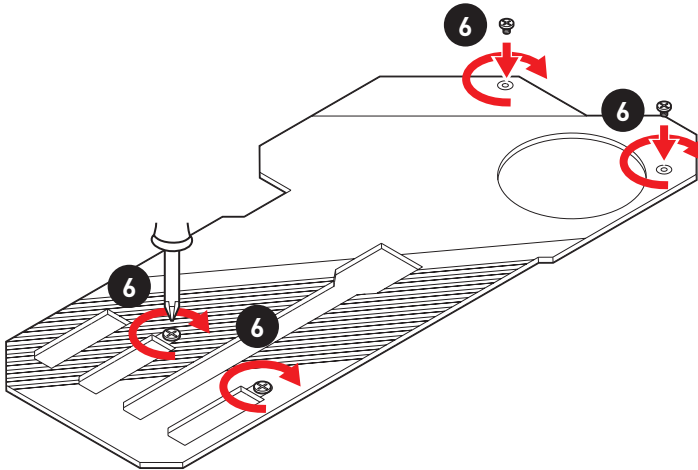
1. Lösen Sie die Schraube des M.2-SHIELD FROZR.
2. Entfernen Sie den M.2 SHIELD FROZR an und entfernen Sie die Schutzfolie von den Wärmeleitpads.



3. Wählen Sie die Befestigungsposition entsprechend Ihrer M.2 SSD Länge.
4. Stecken Sie eine M.2-SSD im 30-Grad-Winkel in den M.2-Steckplatz.
5. Schrauben Sie die M.2 SSD mit der mitgelieferten M.2 8.5H-Schraube.

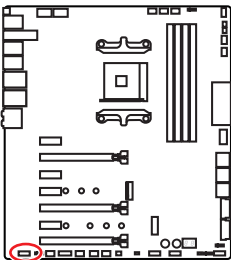


6. Setzen Sie den M.2 SHIELD FROZR-Kühlkörper wieder ein und befestigen Sie ihn.



JAUD1: Audioanschluss des Frontpanels

Dieser Anschluss ermöglicht den Anschluss von Audiobuchsen eines Frontpanels.

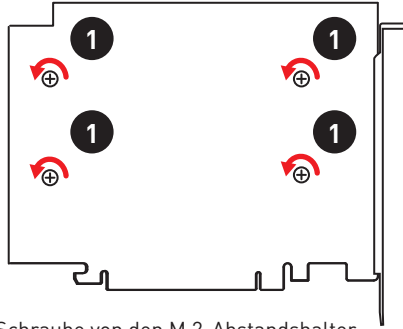


1	MIC L	2	Ground
3	MIC R	4	NC
5	Head Phone R	6	MIC Detection
7	SENSE_SEND	8	No Pin
9	Head Phone L	10	Head Phone Detection

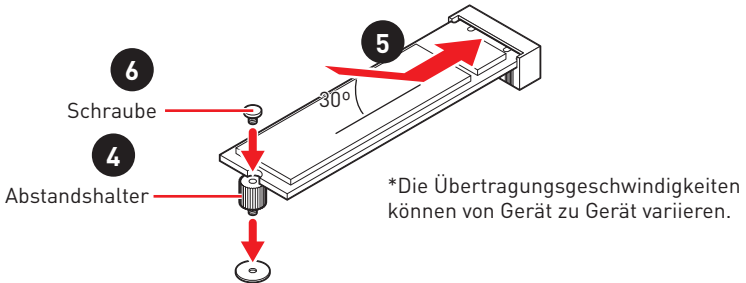
Installation der M.2 XPANDER-Z GEN 4 Karte

Befolgen Sie bitte folgende Schritte, um die M.2 XPANDER-Z GEN 4 Karte zu installieren.

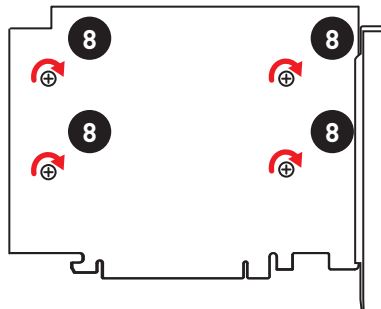
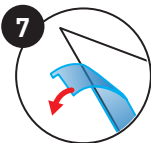
1. Entfernen Sie die Kühlkörper durch Lösen der vier Schrauben auf der Rückseite der M.2 XPANDER-Z GEN 4 Karte.



2. Lösen Sie die M.2-Schraube von den M.2-Abstandshalter.
3. Lösen Sie den M.2-Abstandshalter.
4. Entfernen Sie den M.2-Abstandshalter und befestigen Sie ihn an der entsprechenden Position Ihrer M.2-SSD.
5. Stecken Sie eine M.2-SSD im 30-Grad-Winkel in den M.2-Steckplatz.
6. Schrauben Sie den M.2-Gerät mit der Schraube fest.



7. Entfernen Sie die Schutzfolie von den Wärmeleitpadsthe des Kühlkörpers.
8. Installieren Sie den Kühlkörper erneut und schrauben Sie ihn mit vier Kühlkörperschrauben fest.



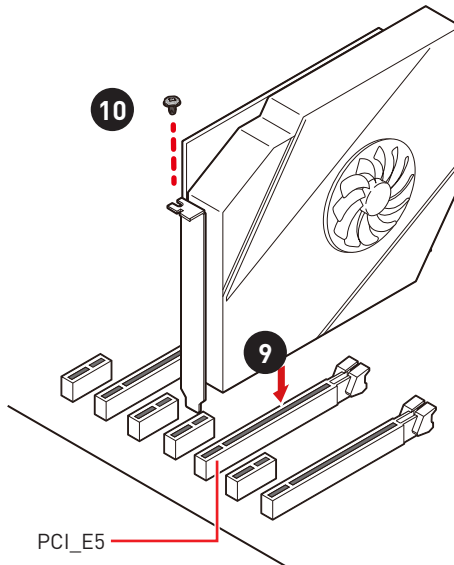
9. Setzen Sie die M.2 XPANDER-Z GEN 4 Karte in den **PCI_E5** Steckplatz.



Wichtig

Nur der **PCI_E1, PCI_E5**-Steckplatz unterstützt die M.2 XPANDER-Z GEN 4-Karte.

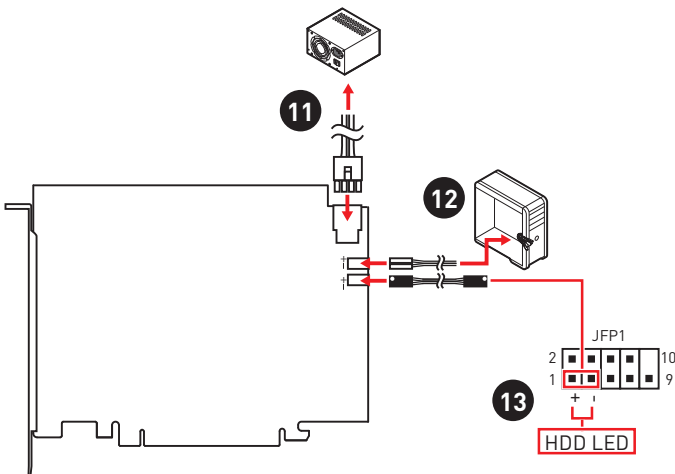
10. Befestigen Sie die M.2 XPANDER-Z GEN 4 mit Schraube am Gehäuse.



11. Verbinden Sie **PCIE_PWR1** an die Stromversorgung.

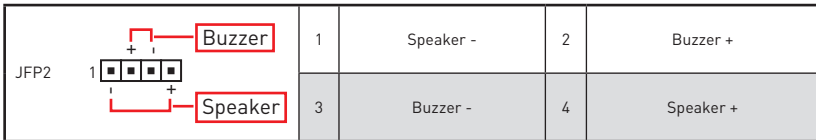
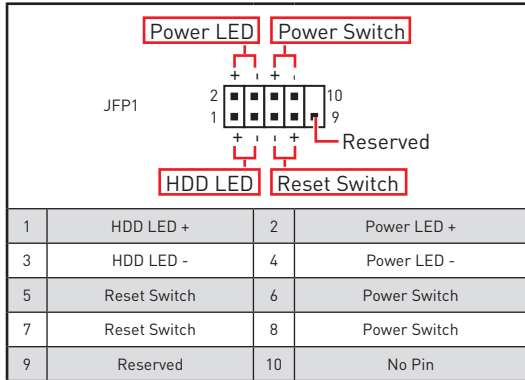
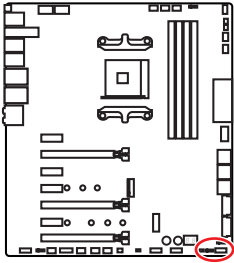
12. Verbinden Sie das **HDD LED**-Kabel des Gehäuses mit dem **JCASE** Anschluss.

13. Verwenden Sie das mitgelieferte **HDD-LED**-Kabel, um den **JMB**-Anschluss und die **HDD-Pins** (Pin 1 und Pin 3) des **JFP1** anzuschließen.



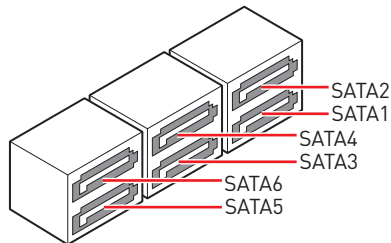
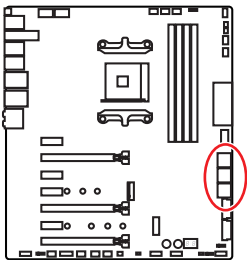
JFP1, JFP2: Frontpanel-Anschlüsse

Diese Anschlüsse verbinden die Schalter und LEDs des Frontpanels.



SATA1~6: SATA 6Gb/s Anschlüsse

Dieser Anschluss basiert auf der Hochgeschwindigkeitsschnittstelle SATA 6 Gb/s. Pro Anschluss kann ein SATA Gerät angeschlossen werden.

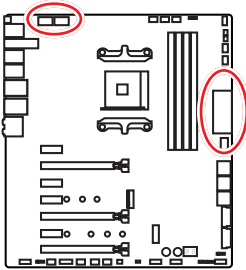


Wichtig

- Knicken Sie das SATA-Kabel nicht in einem 90° Winkel. Datenverlust könnte die Folge sein.
- SATA-Kabel haben identische Stecker an beiden Enden. Es wird empfohlen den flachen Stecker auf dem Motherboard einstecken.

CPU_PWR1~2, ATX_PWR1: Stromanschlüsse

Mit diesen Anschlüssen verbinden Sie die ATX Stromstecker.



CPU_PWR1/ CPU_PWR2			
1	Ground	5	+12V
2	Ground	6	+12V
3	Ground	7	+12V
4	Ground	8	+12V

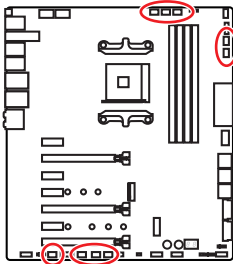
ATX_PWR1			
1	+3.3V	13	+3.3V
2	+3.3V	14	-12V
3	Ground	15	Ground
4	+5V	16	PS-ON#
5	Ground	17	Ground
6	+5V	18	Ground
7	Ground	19	Ground
8	PWR OK	20	Res
9	5VSB	21	+5V
10	+12V	22	+5V
11	+12V	23	+5V
12	+3.3V	24	Ground

Wichtig

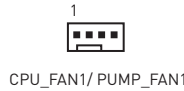
- Stellen Sie sicher, dass alle Anschlüsse mit den richtigen Anschlüssen des Netzteils verbunden sind, um einen stabilen Betrieb der Hauptplatine sicherzustellen.
- Es wird empfohlen, zwei 8-polige Steckverbinder oder mindestens einen 8-poligen und einen 4-poligen Stromanschluss an CPU_PWR1 und CPU_PWR2 anzuschließen, um die Systemstabilität zu optimieren und eine Überhitzung des Motherboards bei hoher Last zu vermeiden.

CPU_FAN1, PUMP_FAN1, SYS_FAN1~7: Stromanschlüsse für Lüfter

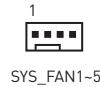
Diese Anschlüsse können im PWM (Pulse Width Modulation) Modus oder Spannungsmodus betrieben werden. Im PWM-Modus bieten die Lüfteranschlüsse konstante 12V Ausgang und regeln die Lüftergeschwindigkeit per Drehzahlsteuersignal. Im DC-Modus bestimmen die Lüfteranschlüsse die Lüftergeschwindigkeit durch Ändern der Spannung. Dieses Motherboard kann den PWM- und DC-Modus automatisch erfassen. Folgen Sie den folgenden Anweisungen, um den PWM- oder DC-Modus auszuwählen.



Lüfteranschlüsse des Standard-PWM-Modus



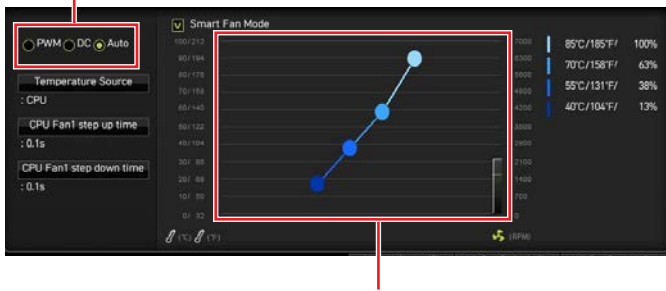
Lüfteranschlüsse des Standard-DC-Modus



Umschalten des Lüfter-Modus und Anpassung der Lüfterdrehzahl

Sie können unter **BIOS > HARDWARE MONITOR** zwischen dem PWM- und DC-Modus umschalten und die Lüfterdrehzahl ändern.

Wählen Sie den **PWM-** oder **DC-**Modus aus



Die Gradientenpunkte des Lüfterverlaufs erlauben die Anpassung der Lüfterdrehzahl in Abhängigkeit von der CPU-Temperatur.

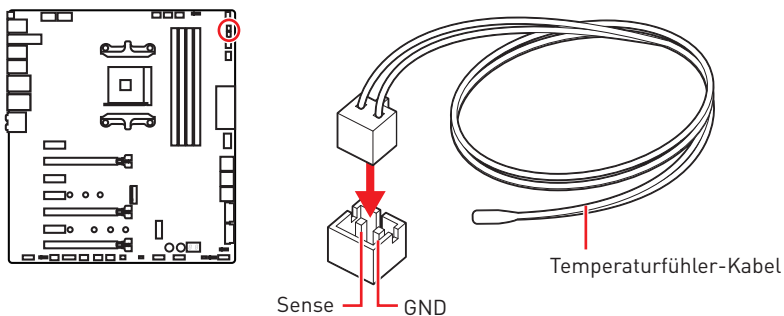
Pin-Belegung der Lüfteranschlüsse

Pin-Belegung des PWM-Modus			
1	Ground	2	+12V
3	Sense	4	Speed Control Signal

Pin-Belegung des DC-Modus			
1	Ground	2	Voltage Control
3	Sense	4	NC

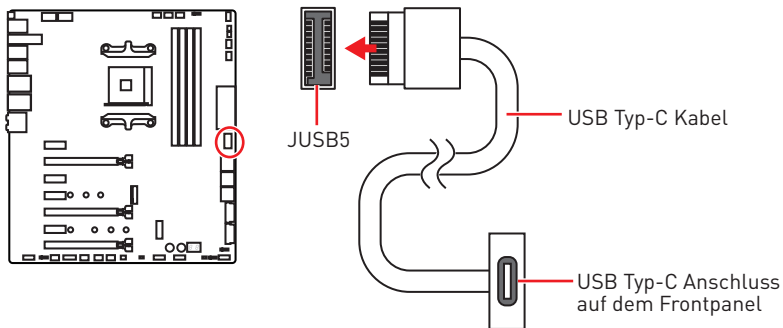
T_SEN1~2: Anschlüsse für einen Temperaturfühler

An diesen Anschlüsse können Sie ein Temperaturfühler-Kabel zur Überwachung der Temperatur eines gewählten Erfassungsbereichs anschließen.



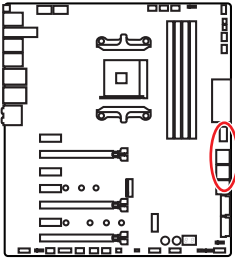
JUSB5: USB 3.2 Gen2 Typ-C Anschluss

Mit diesem Anschluss können Sie den USB 3.2 Gen2 Typ-C Anschluss auf dem Frontpanel verbinden. Der Anschluss verfügt über ein besonders sicheres Design. Wenn Sie das Kabel anschließen, müssen Sie es in der entsprechenden Ausrichtung verbinden.



JUSB3~4: USB 3.2 Gen1 Anschlüsse

Mit diesen Anschlüssen können Sie die USB 3.2 Gen1 Anschlüsse auf dem Frontpanel verbinden.



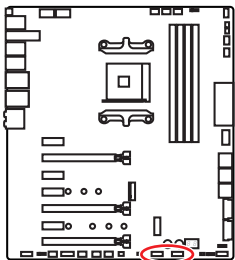
1	Power	11	USB2.0+
2	USB3_RX_DN	12	USB2.0-
3	USB3_RX_DP	13	Ground
4	Ground	14	USB3_TX_C_DP
5	USB3_TX_C_DN	15	USB3_TX_C_DN
6	USB3_TX_C_DP	16	Ground
7	Ground	17	USB3_RX_DP
8	USB2.0-	18	USB3_RX_DN
9	USB2.0+	19	Power
10	NC	20	No Pin

Wichtig

Bitte beachten Sie, dass Sie die mit „Stromführende Leitung“ und „Erdleitung“ bezeichneten Pins korrekt verbinden müssen, ansonsten kann es zu Schäden kommen.

JUSB1~2: USB 2.0 Anschlüsse

Mit diesen Anschlüssen können Sie die USB 2.0 Anschlüsse auf dem Frontpanel verbinden.



1	VCC	2	VCC
3	USB0-	4	USB1-
5	USB0+	6	USB1+
7	Ground	8	Ground
9	No Pin	10	NC

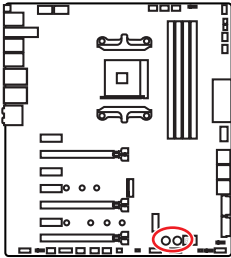
Wichtig

• Bitte beachten Sie, dass Sie die mit VCC (Stromführende Leitung) und Ground (Erdung) bezeichneten Pins korrekt verbinden müssen, ansonsten kann es zu Schäden kommen.

• Um ein iPad, iPhone und einen iPod über USB-Anschlüsse aufzuladen, installieren Sie bitte die MSI CREATOR CENTER Software.

POWER1, RESET1: Power-Taste, Reset-Taste

Mit dieser POWER-Taste können Sie den Computer einschalten. Mit der RESET-Taste können Sie den Computer zurücksetzen.



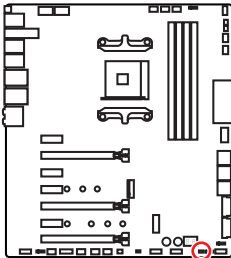
Reset-Taste



Power-Taste

JBAT1: Clear CMOS Steckbrücke (Reset BIOS)

Der Onboard CMOS Speicher (RAM) wird durch eine externe Spannungsversorgung durch eine Batterie auf dem Motherboard versorgt, um die Daten der Systemkonfiguration zu speichern. Wenn Sie die Systemkonfiguration löschen wollen, müssen Sie die Steckbrücke für kurze Zeit umsetzen.



Daten
beibehalten
(Standardwert)



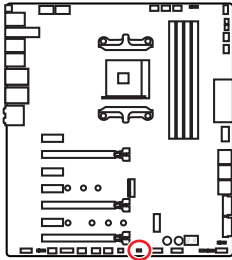
CMOS-Daten
löschen/ Reset
des BIOS

Rücksetzen des BIOS auf Standardwerte

1. Schalten Sie den Computer ab und ziehen Sie das Netzkabel ab.
2. Verwenden Sie eine Steckbrücke, um **JBAT1** für 5-10 Sekunden kurzzuschließen.
3. Entfernen Sie die Steckbrücke von **JBAT1**.
4. Stecken Sie das Kabel Ihres Computers in die Steckdose hinein und schalten Sie den Computer ein.

JCI1: Gehäusekontaktanschluss

Dieser Anschluss wird mit einem Kontaktschalter verbunden.



Normal
(Standardwert)



Löse den
Gehäuseeingriff aus

Gehäusekontakt-Detektor verwenden

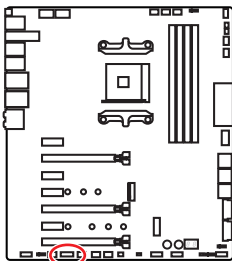
1. Schließen Sie den **JCI1**-Anschluss am Gehäusekontakt-Schalter/ Sensor am Gehäuse an.
2. Schließen Sie die Gehäuseabdeckung.
3. Gehen Sie zu **BIOS > SETTINGS > Security > Chassis Intrusion Configuration**.
4. Stellen Sie **Chassis Intrusion** auf **Enabled**.
5. Drücken Sie **F10** zum Speichern und Beenden und drücken Sie dann die **Enter**-Taste, um **Ja** auszuwählen.
6. Bei eingeschaltetem Computer wird eine Warnmeldung auf dem Bildschirm angezeigt, wenn die Gehäuseabdeckung wieder geöffnet wird.

Gehäusekontakt-Warnung zurücksetzen

1. Gehen Sie zu **BIOS > SETTINGS > Security > Chassis Intrusion Configuration**.
2. Stellen Sie **Chassis Intrusion** auf **Reset**.
3. Drücken Sie **F10** zum Speichern und Beenden und drücken Sie dann die **Enter**-Taste, um **Ja** auszuwählen.

JTPM1: TPM Anschluss

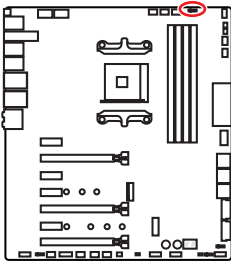
Dieser Anschluss wird für das TPM Modul (Trusted Platform Module) verwendet. Weitere Informationen über den Einsatz des optionalen TPM Modules entnehmen Sie bitte dem TPM Plattform Handbuch.



2 14 1 13			
1	LPC Clock	2	3V Standby power
3	LPC Reset	4	3.3V Power
5	LPC address & data pin0	6	Serial IRQ
7	LPC address & data pin1	8	5V Power
9	LPC address & data pin2	10	No Pin
11	LPC address & data pin3	12	Ground
13	LPC Frame	14	Ground

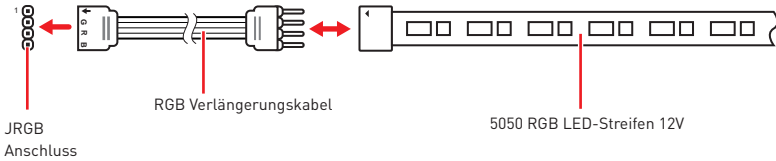
JRGB1: RGB LED Anschluss

Mit dem JRGB Anschluss können Sie den 5050 RGB-LED-Streifen (12 V) anschließen.

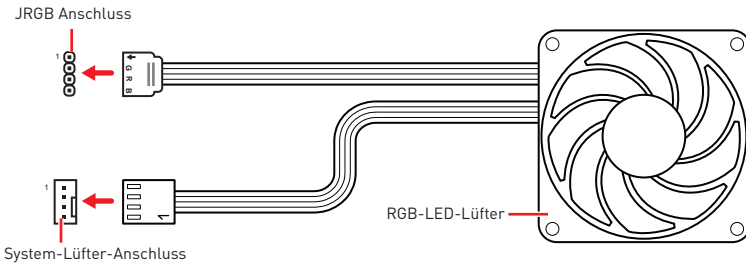


1			
1	+12V	2	G
3	R	4	B

RGB-LED-Streifen anschließen



RGB-LED-Lüfter anschließen

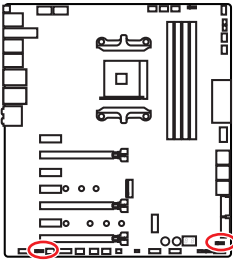


Wichtig

- Der JRGB Anschluss unterstützt 5050 RGB LED-Streifen (12V/G/R/B) mit der maximalen Leistung von 3 A (12 V).
- Schalten Sie die Stromversorgung aus und ziehen Sie das Netzkabel ab, bevor Sie die RGB-LED-Streifen ein- und ausbauen.
- Bitte verwenden Sie die MSI-Software zur Steuerung des LED-Leuchstreifens.

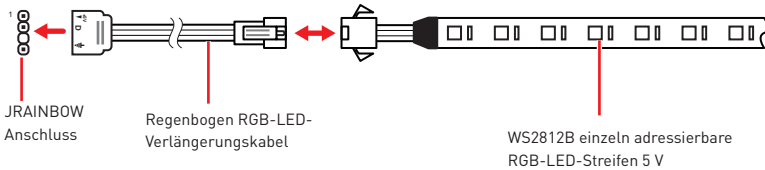
JRAINBOW1~2: Adressierbare RGB LED Anschlüsse

JRAINBOW ermöglicht den Anschluss von WS2812B einzeln adressierbaren RGB-LED-Streifen (5 V).

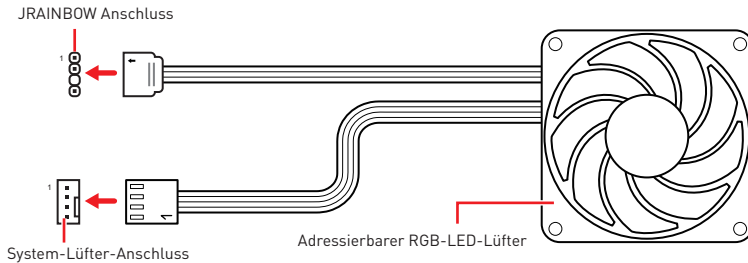


1			
1	+5V	2	Data
3	No Pin	4	Ground

Adressierbarer RGB-LED-Streifen anschließen



Adressierbarer RGB-LED-Lüfteranschluss



! ACHTUNG

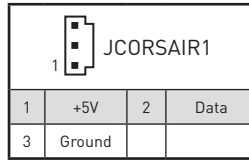
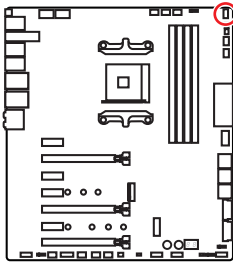
Schließen Sie nur passende LED-Streifen an. Der JRGB- und der JRAINBOW-Anschluss verfügen über unterschiedliche Spannungen. Der Anschluss eines 5 V LED-Streifens an den JRGB-Anschluss führt zu einer Beschädigung des LED-Streifens.

! Wichtig

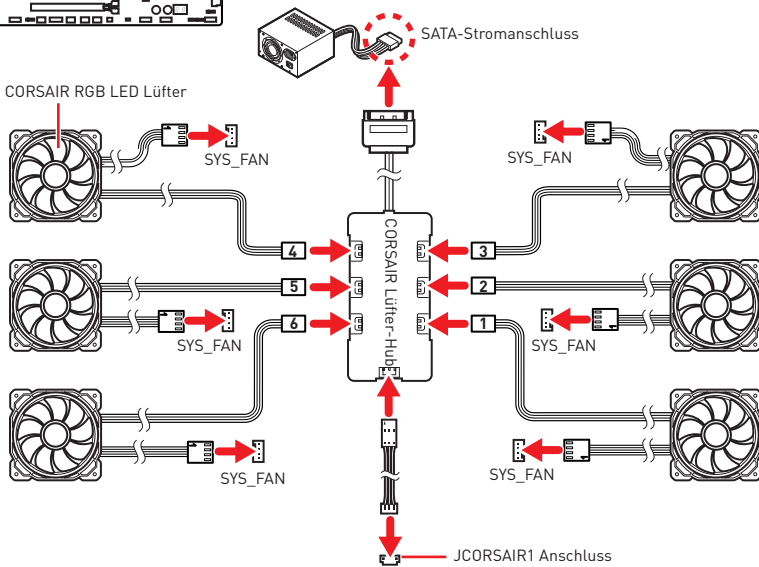
- Der JRAINBOW Anschluss unterstützt bis zu 72 LEDs WS2812B einzeln adressierbare RGB-LED-Streifen (5 V/ Daten/ Erdung) mit der maximalen Leistung von 3 A (5 V). Bei einer Helligkeit von 20 Prozent unterstützt dieser Anschluss bis zu 200 LEDs.
- Schalten Sie die Stromversorgung aus und ziehen Sie das Netzkabel ab, bevor Sie die RGB-LED-Streifen ein- und ausbauen.
- Bitte verwenden Sie die MSI-Software zur Steuerung des LED-Leuchtbereichs.

JCORSAIR1: CORSAIR Anschluss

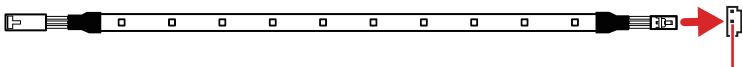
Mit dem JCORSAIR1 Anschluss können Sie CORSAIR einzeln adressierbare RGB-LED-Strips (5 V) oder CORSAIR RGB LED Lüfter mit dem CORSAIR-Lüfter-Hub verbinden. Nach ordnungsgemäßem Anschluss können Sie die MSI-Software zur Steuerung der CORSAIR RGB LED-Streifen und Lüfter verwenden.



CORSAIR RGB LED Lüfteranschluss



CORSAIR Lighting Node PRO Streifen



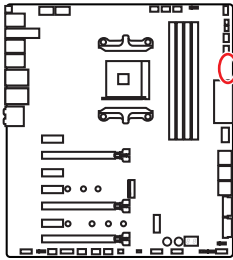
! Wichtig

- Bitte verbinden Sie die Lüfter mit dem CORSAIR Lüfter-Hub in der Reihenfolge 1 > 2 > 3 > 4 > 5 > 6. Falls Sie den Lüfter in einer falschen Reihenfolge verbinden, wird die Kommunikation gestört und die RGB-LEDs funktionieren nicht.
- Die Anzahl der RGB-LED-Lüfter oder der RGB LED Lighting Node PRO Streifen kann je nach Modell unterschiedlich sein. Um mehr Informationen zu erfahren, lesen Sie bitte die Spezifikation des Motherboards.
- CORSAIR RGB LED Lüfter und CORSAIR Lighting Node PRO Streifen können nicht gleichzeitig genutzt werden.

Onboard LEDs

EZ Debug LED

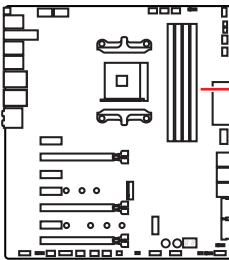
Diese LEDs zeigen den Debug-Status des Motherboards an.



- CPU** - CPU wird nicht erkannt oder ist fehlerhaft.
- DRAM** - DRAM wird nicht erkannt oder ist fehlerhaft.
- VGA** - GPU wird nicht erkannt oder ist fehlerhaft.
- BOOT** - Boot-Gerät wird nicht erkannt oder ist fehlerhaft.

A-XMP LED

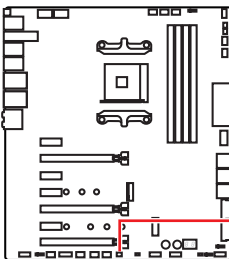
Diese LED zeigt an, der A-XMP (Extreme Memory Profile) Modus aktiviert ist.



A-XMP LED

JPWRLED1: LED Stromzufuhr

Dieser Anschluss ermöglicht es dem Fachhändler die integrierten LED-Lichteffekte zu zeigen.



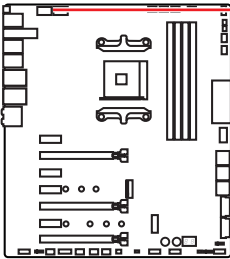
JPWRLED1 - LED Stromzufuhr

CPU Power-LED

Diese LED zeigt an, dass die 8-Pin-CPU-Stromanschlüsse [CPU_PWR1 and CPU_PWR2] nur mit dem 4-Pin-Stromanschluss verbunden sind.

! Wichtig

Wenn die CPU-LED leuchtet, kann Ihr Computer eventuell starten, aber eine unzureichende Spannungsversorgung kann Probleme bei der Systemstabilität verursachen.

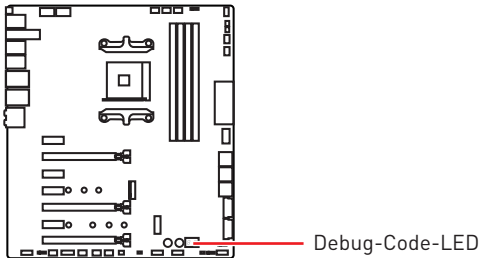


CPU Power-LED

LED-Farbe	Statusanzeigen der CPU-Stromanschlüsse
Red	 CPU_PWR1 CPU_PWR2
	 CPU_PWR1 CPU_PWR2
	 CPU_PWR1 CPU_PWR2
Off	 CPU_PWR1 CPU_PWR2
	 CPU_PWR1 CPU_PWR2
	 CPU_PWR1 CPU_PWR2
	 CPU_PWR1 CPU_PWR2
	 CPU_PWR1 CPU_PWR2
	 CPU_PWR1 CPU_PWR2

Debug-Code-LED

Die Debug-Code-LED-Anzeige zeigt den Fortschritt und das Fehlercode während und nach dem POST-Vorgang an. Einzelheiten entnehmen Sie bitte der Debug-Code LED-Tabelle.



Hexadezimalzeichen

Hexadezimal	0	1	2	3	4	5	6	7	8	9	A	B	C	D	E	F
Debug-Code LED-Anzeige	0	1	2	3	4	5	6	7	8	9	A	B	C	D	E	F

Boot-Phasen

Sicherheit (SEC) – Low-Level-Initialisierung beim Start

Pre-EFI-Initialisierung (PEI) – Speicher-Initialisierung

Ausführungsumgebung des Treibers (DXE) – Primäre Hardware-Initialisierung

Auswahl des Boot-Gerätes (BDS) – Systemeinstellungen, Pre-OS Benutzer-Interface & Auswahl eines Boot-Gerätes (CD/DVD, HDD, USB, Netzwerk, Gehäuse, ...)

Debug-Code-LED-Tabelle

SEC-Fortschritt-Codes

01	Computerstart. Reset Typ-Erkennung (Soft/Hard-Reset)
02	AP-Initialisierung vor dem Mikrocode-Ladevorgang
03	System-Agent-Initialisierung vor dem Mikrocode- Ladevorgang
04	PCH-Initialisierung vor dem Mikrocode- Ladevorgang
06	Mikrocode-Ladevorgang
07	Nach der Mikrocode-Ladung initialisiert die AP
08	AP-Initialisierung nach dem Mikrocode- Ladevorgang
09	PCH-Initialisierung nach dem Mikrocode- Ladevorgang
0B	Cache-Initialisierung

SEC-Fehler-Codes

0C - 0D	Reserviert für zukünftige AMI SEC Fehler-Codes
0E	Der Microcode wurde nicht gefunden
0F	Der Microcode wurde nicht geladen

PEI-Fortschritt-Codes

10	PEI-Kern wird gestartet
11	Pre-Memory CPU-Initialisierung wird gestartet
12 - 14	Pre-Memory CPU-Initialisierung (CPU-spezifisch)
15	Pre-Memory System-Agent-Initialisierung wird gestartet
16 - 18	Pre-Memory System-Agent-Initialisierung (System-Agent spezifisch)
19	Pre-Memory PCH- Initialisierung wird gestartet
1A - 1C	Pre-Memory PCH- Initialisierung (PCH-Modul spezifisch)
2B	Speicher-Initialisierung. Serial Presence Detect (SPD) liest die Daten aus
2C	Speicher-Initialisierung. Speicher -Erfassung
2D	Speicher-Initialisierung. Programmierung des Speicher-Timings
2E	Speicher-Initialisierung. Konfiguration des Speichers
2F	Speicher-Initialisierung (sonstige)
31	Speicher ist installiert
32	CPU Post-Memory-Initialisierung wird gestartet
33	CPU Post-Memory-Initialisierung. Cache-Initialisierung
34	CPU Post-Memory-Initialisierung. Application Processor (AP) Initialisierung
35	CPU Post-Memory-Initialisierung. Boot Strap Prozessorauswahl (BSP)
36	CPU Post-Memory-Initialisierung. System Management Mode (SMM) Initialisierung
37	Post-Memory System-Agent-Initialisierung wird gestartet
38 - 3A	Post-Speicher-System-Agent Initialisierung (System Agent spezifisch)
3B	Post-Memory PCH-Initialisierung wird gestartet
3C - 3E	Post-Memory PCH-Initialisierung (PCH-Modul spezifisch)
4F	DXE IPL wird gestartet

PEI-Fehler-Codes

4B	Speicher ist nicht installiert (Für Summit CPU)
E0	Speicher ist nicht installiert (Für Bristol CPU)

DXE-Fortschritt-Codes

60	DXE Core wird gestartet
61	NVRAM-Initialisierung
62	Installation des PCH Runtime Services

63	CPU DXE-Initialisierung wird gestartet
64 - 67	CPU DXE-Initialisierung (CPU modulspezifisch)
68	PCI Host Bridge Initialisierung
69	System Agent DXE Initialisierung wird gestartet
6A	System Agent DXE SMM Initialisierung wird gestartet
6B - 6F	System Agent DXE Initialisierung (modulspezifischer System Agent)
70	PCH DXE Initialisierung wird gestartet
71	PCH DXE SMM Initialisierung wird gestartet
72	PCH-Geräte Initialisierung
73 - 77	PCH DXE Initialisierung (PCH modulspezifisch)
78	ACPI Modul Initialisierung
79	CSM Initialisierung
7A - 7F	Reserviert für zukünftige AMI-DXE-Codes
90	Boot Device Selection (BDS) Phase wird gestartet
91	Treiber-Verbindung wird gestartet
92	PCI Bus Initialisierung wird gestartet
93	PCI Bus Hot Plug Controller Initialisierung
94	PCI Bus Enumeration 32
95	PCI Bus Request Resources
96	PCI Bus Assign Resources
97	Verbindung der Konsolen-Ausgangsgeräte
98	Verbindung der Konsolen-Eingangsgeräte
99	Super-IO-Initialisierung
9A	USB-Initialisierung wird gestartet
9B	USB-Rücksetzung
9C	USB-Erkennung
9D	USB-Aktivierung
9E -9F	Reserviert für zukünftige AMI-Codes
A0	IDE Initialisierung wird gestartet
A1	IDE-Rücksetzung
A2	IDE-Erkennung
A3	IDE-Aktivierung
A4	SCSI Initialisierung wird gestartet
A5	SCSI-Rücksetzung
A6	SCSI-Erkennung
A7	SCSI-Aktivierung
A8	Bereite Kennwortüberprüfung vor

A9	Beginn der Einstellung
AB	Warten auf Eingabe
AD	Bereit für Boot-Event
AE	Legacy Boot Event
AF	Beendet das Boot-Services-Event
B0	Laufzeit stellt virtuelle MAP Start-Adresse ein
B1	Laufzeit stellt virtuelle MAP End-Adresse ein
B2	Legacy Option ROM Initialisierung
B3	System-Rücksetzung
B4	USB Hot-Plug
B5	PCI-Bus Hot-Plug
B6	NVRAM aufräumen
B7	Setzt die Konfiguration zurück (setzt die NVRAM-Einstellungen zurück)
B8 - BF	Reserviert für zukünftige AMI-Codes

DXE-Fehler-Codes

D0	CPU-Initialisierungs-Fehler
D1	System-Agent-Initialisierungs-Fehler
D2	PCH-Initialisierungs-Fehler
D3	Einige der Architektur-Protokolle sind nicht verfügbar
D4	PCI-Ressourcenzuordnungsfehler. Keine ausreichenden Ressourcen verfügbar.
D5	Kein Platz für Legacy-Option-ROM
D6	Kein Konsolen-Ausgangsgerät gefunden
D7	Kein Konsolen-Eingangsgeräte gefunden
D8	Ungültiges Passwort
D9	Fehler beim Laden der Boot-Option (Load-Image gibt Fehler zurück)
DA	Boot Option ist fehlgeschlagen (Start-Image gibt Fehler zurück)
DB	Flash-Update ist fehlgeschlagen
DC	Das Reset-Protokoll steht nicht zur Verfügung

S3 Wiederaufnahme Fortschritt-Codess

E0	S3-Wiederaufnahmen wird gestartet (S3-Wiederaufnahmen-PPI wird von DXE IPL aufgerufen)
E1	Führt das S3-Boot-Skript aus
E2	Veröffentlicht Video neu
E3	OS S3 Ruhezustand
E4 - E7	Reserviert für zukünftige AMI-Fortschrittscodes

S3 Wiederaufnahme Fehler-Codes

E8	Das S3-Wiederaufnehmen ist fehlgeschlagen
E9	Das S3-Wiederaufnehmen PPI wurde nicht gefunden
EA	Boot-Skript-Fehler bei der S3-Wiederaufnehmen
EB	S3 OS Ruhezustand-Fehler
EC - EF	Reserviert für zukünftige AMI-Fehlercodes

Wiederherstellung Fortschritt-Codes

F0	Wiederherstellung ausgelöst durch die Firmware (Auto recovery)
F1	Wiederherstellung ausgelöst durch den Benutzer (Forced recovery)
F2	Der Wiederherstellungsprozess wurde gestartet
F3	Das Image der Wiederherstellung-Firmware wurde gefunden
F4	Das Image der Wiederherstellung-Firmware wurde geladen
F5 - F7	Reserviert für zukünftige AMI-Fortschrittscodes

Wiederherstellung Fehler-Codes

F8	Wiederherstellung-PPI ist nicht verfügbar
F9	Wiederherstellung-Kapsel ist nicht gefunden
FA	Ungültige Wiederherstellung-Kapsel
FB - FF	Reserviert für zukünftige AMI-Fehlercodes

ACPI Status-Codes

Nach dem Start erscheinen die folgende Codes und versetzen das Betriebssystem in den ACPI-Modus.

01	Das System geht in den Ruhezustand S1
02	Das System geht in den Ruhezustand S2
03	Das System geht in den Ruhezustand S3
04	Das System geht in den Ruhezustand S4
05	Das System geht in den Ruhezustand S5
10	Das System beendet den Ruhezustand S1
20	Das System beendet den Ruhezustand S2
30	Das System beendet den Ruhezustand S3
40	Das System beendet den Ruhezustand S4
AC	Das System hat auf den ACPI-Modus umgestellt. Interrupt-Controller ist im PIC-Modus.
AA	Das System hat auf den ACPI-Modus umgestellt. Interrupt-Controller ist im APIC-Modus.

Installation von OS, Treibern und Utilities

Laden Sie die neuesten Treiber und Dienstprogramme von www.msi.com herunter und aktualisieren Sie sie

Installation von Windows® 10

1. Schalten Sie den Computer ein.
2. Legen Sie die Windows® 10 Disk oder das USB-Flashlaufwerk in das optische Laufwerk.
3. Drücken Sie die Taste **Restart** auf dem Computergehäuse.
4. Drücken Sie die **F11**-Taste während des POST-Vorgangs (Power-On Self Test), um das Bootmenu zu öffnen.
5. Wählen Sie das optische Laufwerk aus dem Bootmenu.
6. Wenn eine entsprechende Meldung **Press any key to boot from CD or DVD...** angezeigt wird, drücken Sie eine beliebige Taste.
7. Folgen Sie den Anweisungen auf dem Bildschirm, um das Dienstprogramm „Windows® 10“ zu installieren.

Installation von Treibern

1. Starten Sie Ihren Computer mit Windows® 10.
2. Legen Sie die MSI® Treiber Disk in das optische Laufwerk.
3. Klicken Sie auf die Pop-up-Meldung **Wählen Sie eine Aktion für Wechseldatenträger aus** und wählen Sie **DVDSetup.exe starten** aus, um den Installer zu öffnen. Wenn Sie die AutoPlay-Funktionen in der Windows-Systemsteuerung ausschalten, können Sie das Programm **DVD Setup.exe** im Hauptverzeichnis der MSI Treiber CD auch manuell ausführen.
4. Der Installer wird findet eine Liste aller benötigten Treiber auf der **Treiber/ Software**-Registerkarte.
5. Klicken Sie auf **Install** in der rechten unteren Ecke des Fensters.
6. Die Treiber-Installation läuft. Wenn die Installation abgeschlossen ist, werden Sie dazu aufgefordert, den Computer neu zu starten.
7. Klicken Sie zum Beenden auf **OK**.
8. Starten Sie Ihren Computer neu.

Installation von Utilities

Bevor Sie Anwendungen installieren, müssen Sie die Treiber-Installation vollständig beendet haben.

1. Öffnen Sie den Installer wie beschrieben.
2. Klicken Sie auf **Utilities**.
3. Wählen Sie die Dienstprogramme, die installiert werden soll.
4. Klicken Sie die Taste **Install** in der rechten unteren Ecke des Fensters.
5. Die Utilities-Installation ist im Gange. Wenn die Installation abgeschlossen ist, werden Sie dazu aufgefordert, den Computer neu zu starten.
6. Klicken Sie zum Beenden auf **OK**.
7. Starten Sie Ihren Computer neu.

BIOS Setup

Die Standardeinstellungen bieten die optimale Leistung für die Systemstabilität unter Normalbedingungen. Sie sollten **immer die Standardeinstellungen behalten**, um mögliche Schäden des Systems oder Boot-Fehler zu vermeiden, außer Sie besitzen ausreichende BIOS Kenntnisse.



- *BIOS Funktionen werden für eine bessere Systemleistung kontinuierlich aktualisiert. Deswegen können die Beschreibungen leicht von der letzten Fassung des BIOS abweichen und sollten demnach nur als Anhaltspunkte dienen. Für eine Beschreibung der BIOS Funktionen rufen Sie die **HELP** Informationstafel aus.*
- *Die Bilder in diesem Kapitel stellen lediglich Referenzen dar und können von dem von Ihnen erworbenen Produkt abweichen.*

Öffnen des BIOS Setups

Während des BOOT-Vorgangs drücken Sie die Taste **ENTF**, wenn die Meldung **Press DEL key to enter Setup Menu, F11 to enter Boot Menu** erscheint.

Funktionstasten

- F1:** Allgemeine Hilfe
 - F2:** Hinzufügen/Entfernen eines Favoritenpunkts
 - F3:** Öffnen des Favoriten Menüs
 - F4:** Öffnen des Menüs CPU-Spezifikationen
 - F5:** Öffnen des Memory-Z Menüs
 - F6:** Laden der ursprünglichen Setup-Standardwerte
 - F7:** Wechselt zwischen dem Erweiterten-Modus und EZ-Modus
 - F8:** OC-Profil wird vom USB-Stick geladen
 - F9:** OC-Profil wird auf einem USB-Stick gespeichert
 - F10:** Speichern oder Zurücksetzen der Änderungen*
 - F12:** Macht einen Screenshot und speichert auf einen FAT/FAT32-USB-Laufwerk.
- Strg+F:** Öffnet die Suchseite

* Beim Drücken der F10 Taste wird das Fenster zum Speichern der Einstellungen angezeigt. Wählen Sie **Yes**, um die Wahl zu bestätigen, oder **No**, um die derzeitige Einstellung beizubehalten.

Reset des BIOS

Sie können die Werkseinstellung wieder herstellen, um bestimmte Probleme zu lösen. Es gibt verschiedene Möglichkeiten, um das BIOS zurückzusetzen:

- Öffnen Sie das BIOS und drücken Sie **F6**, um optimierten Einstellungen zu laden.
- Schließen Sie die **Clear CMOS Steckbrücke** an das Motherboard an.



Wichtig

Bitte lesen Sie für Informationen zum BIOS-Reset im Bereich „**Clear CMOS Steckbrücke**“ nach.

Aktualisierung des BIOS

Aktualisierung des BIOS mit dem M-FLASH-Programm

Before updating:

Vorbereitung:

Laden Sie bitte die neueste BIOS Version, die dem Motherboard-Modell entspricht, von der offiziellen MSI Website herunter und speichern Sie die BIOS-Datei auf USB-Flash-Laufwerk.

BIOS-Aktualisierungsschritte:

1. Drücken Sie während des POST-Vorgangs die Taste (Entf), um das BIOS zu öffnen.
2. Schließen das USB-Flashlaufwerk mit der BIOS-Datei an den Computer.
3. Wählen Sie die Registerkarte **M-FLASH** und klicken Sie auf **Yes (Ja)**, um das System neu zu starten. Rufen Sie den Flash-Modus auf.
4. Wählen Sie die BIOS-Datei zur Durchführung des BIOS-Aktualisierungsprozesses aus.
5. Nachdem das Flashen des BIOS vollständig ist, startet das System automatisch neu.

Aktualisierung des BIOS mit MSI CREATOR CENTER

Vorbereitung:

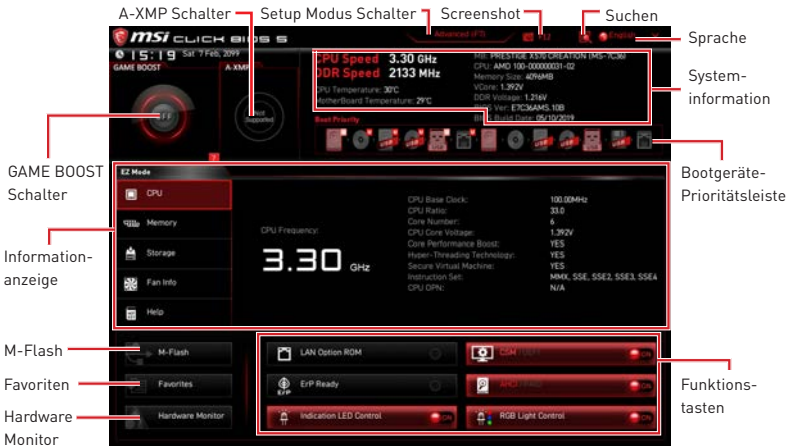
Stellen Sie sicher, dass zuvor die LAN-Treiber installiert wurden und eine Internetverbindung eingerichtet ist.

BIOS-Aktualisierungsschritte:

1. Installieren und starten Sie „MSI CREATOR CENTER“.
2. Wählen Sie **BIOS Update** aus.
3. Klicken Sie auf die **Scan** Taste.
4. Klicken Sie auf dieses **Download**-Icon, um die neueste BIOS-Datei zu laden und zu installieren.
5. Klicken Sie auf **Next (Weiter)** und wählen Sie **In Windows Mode** aus. Und klicken dann auf **Next (Weiter)** und **Start (Starten)**, um das BIOS-Update zu starten.
6. Nachdem das Flashen des BIOS vollständig ist, startet das System automatisch neu.

EZ Modus

Im EZ-Modus können Sie die Grundinformationen des Systems einsehen und grundlegende Einstellungen konfigurieren. Um sich die erweiterten BIOS-Einstellungen anzeigen zu lassen, aktivieren Sie bitte den Erweiterten Modus durch Drücken des **Setup Modus Schalter** oder der Funktionstaste **F7**.



• **GAME BOOST Schalter** - Klicken Sie den Schalter, um **GAME BOOST** für OC zu wechseln.

Wichtig

*Bitte ändern Sie keine Werte im OC Menü und laden Sie keine Standardwerte während **GAME BOOST** aktiviert ist, um die optimale Leistung und Stabilität des Systems zu gewährleisten.*

• **A-XMP Schalter (optional)** - Klicken Sie auf den inneren Kreis, um den A-XMP-Schalter zu aktivieren/deaktivieren. Drehen Sie den äußeren Kreis, um ein Speicherprofil zu wählen. Dieser Schalter steht nur zur Verfügung, wenn die installierten Speichermodule diese Funktion unterstützen.

• **Setup Modus Schalter** - Mit dieser Registerkarte oder der **F7**-Taste können Sie zwischen dem Erweiterten-Modus und EZ-Modus wechseln.

• **Screenshot** - Wählen Sie diese Registerkarte oder betätigen Sie die **F12**-Taste, um einen Screenshot zu machen und auf einen FAT/FAT32-USB-Laufwerk zu speichern.

• **Suchen** - Klicken Sie auf diese Registerkarte oder die **Strg+F** Taste um die Suchseite anzuzeigen. Mit der Funktion können Sie nach dem BIOS-Elementnamen suchen. Geben Sie bitte den Namen zum Auffinden einer Punkteliste ein. Bewegen Sie den Mauszeiger über einen freien Bereich und klicken Sie mit der rechten Maustaste, um die Suchseite zu schließen.

Wichtig

*Auf der Suchseite stehen nur die **F6**-, **F10**- und **F12**-Funktionstasten zur Verfügung.*

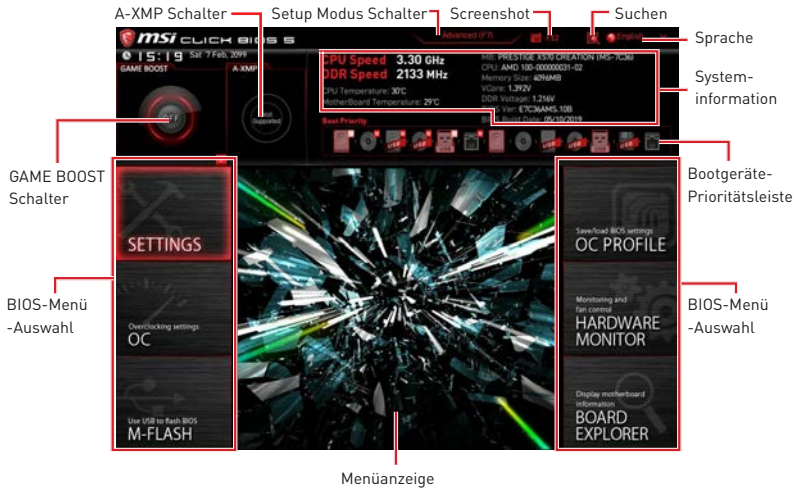
• **Sprache** - Hier können Sie die Sprache der BIOS-Einstellungen auswählen.

• **Systeminformationen** - Diese zeigt CPU/ DDR-Frequenz, CPU/ MB-Temperatur, MB/ CPU-Typ, Speicherkapazität, CPU/ DDR-Spannung, BIOS-Version und Erstellungsdatum.

- **Boot-Geräte Prioritätsleiste** - Sie können die Gerätesymbole verschieben, um die Startreihenfolge zu ändern. Die Bootreihenfolge sind mit "hoch" (links) bis "niedrig" (rechts) bezeichnet.
- **Informationsanzeige** - Klicken Sie auf die Schaltfläche **CPU, Memory, Storage, Fan Info** und **Help** auf der linken Seite, um die jeweiligen Informationen anzuzeigen.
- **Funktionstasten** - Aktivieren oder deaktivieren Sie **LAN Option ROM, CSM/UEFI, ErP Ready, AHCI, RAID, Indication LED Control** und **RGB Light Control** durch Anklicken der zugehörigen Schaltfläche.
- **M-Flash** - Ein Klick auf diese Schaltfläche zeigt das **M-Flash**-Menü an, mit dem Sie das BIOS mit einem USB-Flash-Laufwerk aktualisieren können.
- **Hardware Monitor** - Ein Klick auf diese Schaltfläche öffnet das Menü des **Hardware Monitor** mit dem Sie die Lüfterdrehzahl in Prozent manuell steuern.
- **Favoriten** - Drücken Sie die Registerkarte **Favoriten** oder die **F3**-Taste, um das **Favoriten**-Menü aufzurufen. Hier können Sie Ihre persönliches BIOS-Menü erstellen, in dem Sie die häufig verwendeten oder favorisierten BIOS-Einstellungsoptionen auswählen können.
 - **Default HomePage** - Über diese Option können Sie ein BIOS-Menü (zum Beispiel: Einstellungen, Übertaktung, usw.) als BIOS Homepage auswählen.
 - **Favorite1~5** - Hier können Sie die häufig erwendeten oder favorisierten BIOS-Einstellungsoptionen auf einer Seite hinzufügen.
 - **Um ein BIOS-Punkte zu einer Favoritenseite hinzufügen (Lieblingseinstellung 1~5)**
 1. Sie können die Maus nicht nur über einen Eintrag im BIOS-Menü sondern auch auf der Suchseite bewegen.
 2. Klicken Sie mit der rechten Maustaste oder drücken Sie die Taste **F2**.
 3. Wählen Sie die gewünschte Seite aus und klicken Sie auf **OK**.
 - **Um ein BIOS-Punkte von Favoritenseite zu löschen**
 1. Bewegen Sie die Maus über einen BIOS-Eintrag auf einer Favoritenseite (Favoriten 1~5)
 2. Klicken Sie mit der rechten Maustaste oder drücken Sie die Taste **F2**.
 3. Wählen Sie **Delete** aus und klicken Sie auf **OK**.

Erweiterter Modus

Drücken Sie den **Setup Modus Schalter** oder die Funktionstaste **F7**, um zwischen dem EZ-Modus und dem Erweiterten-Modus im BIOS-Setup zu wechseln.



- **BIOS-Menü-Auswahl** - Die folgenden Optionen stehen zur Verfügung.
 - **SETTINGS** - Mit diesem Menü können Sie die Parameter für Chipsatz, Boot-Geräte angeben.
 - **OC** - Hier können Sie die Frequenz und Spannung anpassen. Die Erhöhung der Frequenz kann eine bessere Leistung erreichen.
 - **M-FLASH** - M-Flash erlaubt es, das BIOS mit einem USB-Flash-Laufwerk zu aktualisieren.
 - **OC PROFILE** - In diesem Menü werden die verschiedenen Overclocking-Profile gespeichert.
 - **HARDWARE MONITOR** - Hier können Sie die Geschwindigkeiten der Lüfter anpassen und die Spannungen des Systems überwachen.
 - **BOARD EXPLORER** - Zeigt Ihnen Informationen über Geräte an, die an das Mainboard angeschlossen sind.
- **Menüanzeige** - Dieser Bereich ermöglicht die Konfiguration von BIOS Einstellungen.

OC Menü

In diesem Menü können Benutzer das BIOS anpassen und das Mainboard übertakten. Bitte führen Sie nur Änderungen durch, wenn Sie sich über das Ergebnis im Klaren sind. Sie sollten Erfahrung beim Übertakten haben, da Sie sonst das Motherboard oder Komponenten des Systems beschädigen können.



Wichtig

- Die Übertaktung ist nur für fortgeschrittene Benutzer zu empfehlen.
- Eine erfolgreiche Übertaktung ist nicht gewährleistet. Die Anwendung von Übertaktungsmaßnahmen kann zu Verlust der Garantie oder zur Beschädigung der Hardware führen.
- Falls Sie sich mit der Übertaktung nicht auskennen, empfehlen wir für einfaches Übertakten die **GAME BOOST** Funktion.
- Die BIOS-Funktionen im OC Menü werden abhängig von dem Prozessor variieren.

► OC Explore Mode [Normal]

Aktivieren oder deaktivieren Sie die Funktion, um die normale oder Expertenversion des OC-Einstellungen anzuzeigen.

[Normal] Bietet normale Übertaktungseinstellungen im BIOS-Setup.

[Expert] Bietet die erweiterten Übertaktungseinstellungen für den erfahrenen Benutzer, welche die Einstellungen im BIOS-Setup konfigurieren wollen.

Hinweis: Wir verwenden * als Symbol für die Übertaktungseinstellungen des Erweiterten Modus.

► CPU Ratio [Auto]

Legen Sie den CPU-Multiplikator fest, um die CPU-Taktfrequenzen zu bestimmen. Diese Option kann nur geändert werden, wenn der Prozessor diese Funktion unterstützt.

► Advanced CPU Configuration

Drücken Sie die **Eingabetaste <Enter>**, um das Untermenü aufzurufen. Der Benutzer kann die Parameter für CPU-Leistung / Strom einstellen. Das System könnte nach dem Ändern des Parameters instabil werden oder nicht mehr booten. Wenn Instabilität auftritt, löschen Sie bitte die CMOS-Daten und stellen Sie die Standardeinstellungen wieder her.

► **A-XMP [Disabled]**

Aktivieren Sie die A-XMP Funktion oder wählen Sie ein Profil des Speichermoduls aus, um den Speicher zu übertakten. Diese Option erscheint nur, wenn die installierten Speichermodule/ das installierte Motherboard diese Funktion unterstützen.

► **DRAM Frequency [Auto]**

Setzen Sie die DRAM Frequenz. Bitte beachten Sie, dass ein zuverlässiges Übertaktungsverhalten nicht garantiert werden kann.

► **Memory Try It ! [Disabled]**

Die Option „Memory Try It!“ dient der Verbesserung der Speicherkompatibilität oder auch der Speicherleistung durch die Auswahl der optimierten Speichervoreinstellungen.

► **Memory Retry Count [5]**

Konfiguriert die Anzahl der Wiederholungen mit dem gesetzten Speicherprofil. Wenn die Übertaktung des Speichers erfolglos ist, wird diese Einstellung auf [5] gesetzt. Damit kann das System 5 mal mit der gleichen übertakteten Konfiguration neu starten. Wenn die Übertaktung jedesmal fehlgeschlagen ist, setzt das System die Einstellungen auf die Werkseinstellung zurück.

► **Advanced DRAM Configuration (optional)**

Drücken Sie die **Eingabetaste <Enter>**, um das Untermenü aufzurufen. Der Anwender kann die Speicher-Timing für jeden Kanal des Speichers einstellen. Das System könnte nach dem Ändern der Speicher-Timings instabil werden oder nicht mehr booten. Wenn Instabilität auftritt, löschen Sie bitte die CMOS-Daten und stellen Sie die Standardeinstellungen wieder her. (Lesen Sie bitte den Abschnitt „Steckbrücke zur CMOS-Löschung/ Clear CMOS Taste“, um die CMOS-Daten zu löschen, und die Standardeinstellungen auf das BIOS zu laden.)

► **DigitALL Power**

Drücken Sie die **Eingabetaste <Enter>**, um das Untermenü aufzurufen. Steuert die digitale CPU PWM.

► **CPU Voltages control [Auto]**

Erlaubt das Einstellen der CPU-Spannungen. Wenn die Einstellung auf **Auto** gesetzt ist, wird das BIOS die Spannungen automatisch einstellen oder Sie können es manuell einstellen.

► **DRAM Voltages control [Auto]**

Erlaubt das Einstellen der DRAM-Spannungen. Wenn die Einstellung auf **Auto** gesetzt ist, wird das BIOS die Spannungen automatisch einstellen oder Sie können es manuell einstellen.

► **Memory Changed Detect [Enabled]***

Aktiviert/Deaktiviert die Systemwarnmeldung beim Booten, wenn die CPU oder der Hauptspeicher ersetzt wurde.

[Enabled] Das System zeigt eine Warnmeldung beim Systemstart und lädt die Default-Einstellungen für neue Geräte.

[Disabled] Deaktivierung der Funktion und Beibehaltung der aktuellen BIOS-Einstellungen.

► CPU Specifications

Drücken Sie die **Eingabetaste <Enter>**, um das Untermenü aufzurufen. Das Untermenü zeigt die Informationen der installierten CPU an. Zu diesen Informationen gelangen Sie, indem Sie die Taste [F4] drücken. Nur Anzeige.

► CPU Technology Support

Drücken Sie die **Eingabetaste <Enter>**, um das Untermenü aufzurufen. Das Untermenü zeigt die wichtigsten Eigenschaften der installierten CPU an.

► MEMORY-Z

Drücken Sie die **Eingabetaste <Enter>**, um das Untermenü aufzurufen. Dieses Untermenü zeigt alle Einstellungen und Timings des installierten Speichers. Zu diesen Informationen gelangen Sie auch, indem Sie die Taste [F5] drücken.

► DIMMx Memory SPD

Drücken Sie die **Eingabetaste <Enter>**, um das Untermenü aufzurufen. Das Untermenü zeigt die Informationen des verwendeten Speichers an. Nur Anzeige.

► CPU Features

Drücken Sie die **Eingabetaste <Enter>**, um das Untermenü aufzurufen.

► Simultaneous Multi-Threading [Enabled] (optional)

Aktiviert oder deaktiviert das AMD Simultaneous Multi-Threading. Diese Option erscheint nur, wenn die installierte CPU die Technologie unterstützt.

► Global C-state Control [Enabled] (optional)

Aktiviert oder deaktiviert die IO-basierten C-States und DF C-States.

► Opcache Control [Auto] (optional)

Aktiviert oder deaktiviert die Opcache-Funktion. Opcache speichert die letzte dekodierte Anweisung um die Dekodierzeit bei wiederholten Anweisungen zu verringern. Zusätzlich kann es die CPU-Leistung erhöhen und den Stromverbrauch leicht reduzieren.

► IOMMU Mode (optional)

Hier können Sie den IOMMU (I/O Memory Management Unit) für I/O-Virtualisierung aktivieren/ deaktivieren.

► Spread Spectrum (optional)

Diese Funktion reduziert die EMI (Electromagnetic Interference) durch Modulation Taktgenerator erzeugten Impulse.

[Enabled] Aktiviert die Spread-Spectrum-Funktion, um die elektromagnetische Wechselwirkung zu verringern.

[Disabled] Steigert die Übertaktungs-Fähigkeiten des CPU-Grundtakts.



Wichtig

- Sollten Sie keine Probleme mit Interferenzen haben, belassen Sie es bei der Einstellung [Disabled] (ausgeschaltet), um bestmögliche Systemstabilität und -leistung zu gewährleisten. Stellt für Sie EMI ein Problem dar, wählen Sie die gewünschte Bandbreite zur Reduktion der EMI.
- Je größer Spread Spectrum Wert ist, desto größer nimmt der EMI ab, und das System wird weniger stabil. Bitte befragen Sie Ihre lokale EMI-Regelung zum Meist

passend Spread Spectrum Wert.

• Denken Sie daran Spread Spectrum zu deaktivieren, wenn Sie übertakten, da sogar eine leichte Schwankung eine vorübergehende Taktsteigerung erzeugen kann, die gerade ausreichen mag, um Ihren übertakteten Prozessor zum einfrieren zu bringen.

▶ **AMD Cool' n' Quiet [Enabled]**

Die Cool' n' Quiet-Technologie kann die CPU-Geschwindigkeit und den Stromverbrauch effizient und dynamisch herabsetzen.

▶ **SVM Mode [Disabled]**

Aktiviert oder deaktiviert den AMD SVM (Secure Virtual Machine) Modus.

▶ **Power Supply Idle Control [Auto] (optional)**

Erlaubt den Energiespar-Modus für die CPU wenn sich alle Kerne im Zustand non-C0 befinden. Wenn die Einstellung auf **Auto** gesetzt ist, wird das BIOS diese Einstellungen automatisch konfigurieren.

Содержание

Безопасное использование продукции.....	3
Технические характеристики	4
Технические характеристики разъема JCORSAIR1	10
Комплект поставки.....	11
Задняя панель портов ввода/ вывода	12
Таблица состояний индикатора порта LAN	12
Конфигурация портов Аудио.....	12
Realtek Audio Console	13
Компоненты материнской платы.....	16
Процессорный сокет	17
Слоты DIMM	18
PCI_E1~7: Слоты расширения PCIe.....	19
M2_1~2: Разъемы M.2 (Ключ M).....	22
JAUD1: Разъем аудио передней панели.....	23
Установка M.2 XPANDER-Z GEN 4	24
JFP1, JFP2: Разъемы передней панели	26
SATA1~6: Разъемы SATA 6Гб/с	26
CPU_PWR1~2, ATX_PWR1: Разъемы питания	27
CPU_FAN1, PUMP_FAN1, SYS_FAN1~7: Разъемы вентиляторов.....	28
T_SEN1~2: Разъемы датчика температуры.....	29
JUSB5: Разъем USB 3.2 Gen 2 Type-C.....	29
JUSB3~4: Разъемы USB 3.2 Gen1	30
JUSB1~2: Разъемы USB 2.0.....	30
POWER1, RESET1: Кнопка питания, Кнопка перезагрузки	31
JBAT1: Джампер очистки данных CMOS (Сброс BIOS)	31
JCI1: Разъем датчика открытия корпуса	32
JTPM1: Разъем модуля TPM	32
JRGB1: Разъем RGB LED	33
JRAINBOW1~2: Разъемы адресных RGB LED.....	34
JCORSAIR1: Разъем CORSAIR	35
Встроенные индикаторы.....	36
Индикаторы отладки EZ.....	36
Индикатор XMP	36
JPWLED1: Индикатор подключения питания.....	36
Индикатор питания процессора.....	37
Индикатор отладочных кодов	38
Таблица шестнадцатиричных символов	38

Фазы загрузки.....	38
Таблица отладочных кодов.....	38
Коды состояний ACPI.....	42
Установка ОС, драйверов и утилит	43
Установка Windows® 10.....	43
Установка драйверов	43
Установка утилит	43
Настройка BIOS	44
Вход в настройки BIOS	44
Сброс BIOS	45
Обновление BIOS.....	45
Режим EZ	46
Режим разгона	48
Меню ОС	49

Безопасное использование продукции

- Компоненты, входящие в комплект поставки могут быть повреждены статическим электричеством. Для успешной сборки компьютера, пожалуйста, следуйте указаниям ниже.
- Убедитесь, что все компоненты компьютера подключены должным образом. Ослабленные соединения компонентов могут привести как к сбоям в работе, так и полной неработоспособности компьютера.
- Чтобы избежать повреждений компонентов платы всегда держите ее за края.
- При сборке компьютера рекомендуется пользоваться электростатическим браслетом. В случае, если это невозможно, перед работой с платой снимите электростатический заряд со своего тела, прикоснувшись к металлическому предмету.
- В случае, если материнская плата не установлена в корпус, храните ее в антистатической упаковке или на антистатическом коврике.
- Перед включением компьютера убедитесь, что все винты крепления и другие металлические компоненты на материнской плате и внутри корпуса надежно зафиксированы.
- Не включайте компьютер, если сборка не завершена. Это может привести к повреждению компонентов, а также травмированию пользователя.
- Если вам нужна помощь на любом этапе сборки компьютера, пожалуйста, обратитесь к сертифицированному компьютерному специалисту.
- Всегда выключайте питание и отсоединяйте шнур питания от электрической розетки перед установкой или удалением любого компонента компьютера.
- Сохраните это руководство для справки.
- Не допускайте воздействия на материнскую плату высокой влажности.
- Перед тем как подключить блок питания компьютера к электрической розетке убедитесь, что напряжение электросети соответствует напряжению, указанному на блоке питания.
- Располагайте шнур питания так, чтобы на него не могли наступить люди. Не ставьте на шнур питания никаких предметов.
- Необходимо учитывать все предостережения и предупреждения, указанные на материнской плате.
- При возникновении любой из перечисленных ниже ситуаций обратитесь в сервисный центр для проверки материнской платы:
 - Попадание жидкости внутрь компьютера.
 - Материнская плата подверглась воздействию влаги.
 - Материнская плата не работает должным образом или невозможно наладить ее работу в соответствии с руководством пользователя.
 - Материнская плата получила повреждения при падении.
 - Материнская плата имеет явные признаки повреждения.
- Не храните материнскую плату в местах с температурой выше 60 °C [140 °F], так как это может привести к ее повреждению.

Технические характеристики

Процессор	Поддержка процессоров AMD Ryzen™ 2-го и 3-го поколения/ процессоров Ryzen™ с видеокартой Radeon™ Vega и процессоров AMD Ryzen™ 2-го поколения для настольных ПК с видеокартой Radeon™ для сокета AM4
Чипсет	AMD® X570
Память	<ul style="list-style-type: none"> • 4x слота памяти DDR4, с поддержкой до 128ГБ* (в зависимости от модели процессора) <ul style="list-style-type: none"> ▪ Поддержка 1866/ 2133/ 2400/ 2666 МГц (по стандартам JEDEC), 2666/ 2800/ 2933/ 3000/ 3066/ 3200/ 3466/ 3600/ 3733/ 3866/ 4000/ 4133/ 4266/ 4400/ 4533 МГц (с поддержкой A-XMP OC MODE) • Двухканальная архитектура памяти • Поддержка non-ECC UDIMM памяти • Поддержка ECC UDIMM памяти (non-ECC режим) • Поддержка небуферизованной памяти <p>* Пожалуйста, обратитесь www.msi.com для получения дополнительной информации о совместимых памяти.</p>
Слоты расширения	<ul style="list-style-type: none"> • 2x слота PCIe 4.0/3.0 x16 (PCI_E2, PCI_E5) <ul style="list-style-type: none"> ▪ Процессоры AMD Ryzen™ 3-го поколения поддерживают режим PCIe 4.0 x16/x0, x8/x8 ▪ Процессоры AMD Ryzen™ 2-го поколения поддерживают режим PCIe 3.0x16/x0, x8/x8 ▪ Процессоры Ryzen™ с видеокартой Radeon™ Vega и процессоры AMD Ryzen™ 2-го поколения с видеокартой Radeon™ поддерживают режим PCIe 3.0 x8/x0 • 1x слот PCIe 4.0/3.0 x16 (PCI_E7, поддержка режима x4) • 4x слота PCIe 2.0 x1 <p>* Скорость может отличаться для разных устройств</p>
Поддержка Multi-GPU	<ul style="list-style-type: none"> • Поддержка технологии 2-Way NVIDIA® SLI™ • Поддержка технологии 3-Way AMD® CrossFire™

Продолжение на следующей странице

Продолжение с предыдущей страницы

Подключение накопителей	<ul style="list-style-type: none">• 6x портов SATA 6ГБ/с (для чипсета AMD® X570)• 2x разъема M.2 (Ключ M)*<ul style="list-style-type: none">▪ Разъем M2_1 (для чипсета процессоров AMD®) поддерживает PCIe 4.0 x4 (AMD Ryzen™ 3-го поколения для настольных ПК) или PCIe 3.0 x4 (AMD Ryzen™ 2-го поколения/ Ryzen™ с видеокартой Radeon™ Vega и AMD Ryzen™ 2-го поколения с видеокартой Radeon™), накопителей 2242/2260/2280▪ Разъем M2_2 (для чипсета AMD® X570) поддерживает PCIe 4.0 x4 (AMD Ryzen™ 3-го поколения) или 3.0 x4 (AMD Ryzen™ 2-го поколения/ Ryzen™ с видеокартой Radeon™ Vega и AMD Ryzen™ 2-го поколения с видеокартой Radeon™) и SATA 6ГБ/с, накопителей 2242/ 2260/ 2280/ 22110 <p>*Скорость может отличаться для разных устройств</p>
RAID	Чипсет AMD® X570 <ul style="list-style-type: none">• Поддержка RAID 0, RAID 1 и RAID 10
LAN	<ul style="list-style-type: none">• 1x Гигабитный сетевой контроллер Intel® I211AT• 1x 10-Гигабитный сетевой контроллер Aquantia® AQC107
Wi-Fi и Bluetooth	Intel® Wi-Fi 6 AX200 <ul style="list-style-type: none">• Беспроводной модуль предварительно установлен в слот M2_WIF1 (Ключ-E)• Поддержка 802.11 a/b/g/n/ac/ax, MU-MIMO Rx, 2.4ГГц-5ГГц (160МГц) со скоростью передачи до 2.4Гбит/с• Поддержка Bluetooth® 5

Продолжение на следующей странице

Продолжение с предыдущей страницы

USB	<ul style="list-style-type: none">• Контроллер AMD® X570<ul style="list-style-type: none">▪ 1x внутренний разъем USB 3.2 Gen2 (SuperSpeed USB 10Гбит/с) Type-C▪ 12x портов USB 3.2 Gen1 (SuperSpeed USB) (8 портов Type-A на задней панели, 4 порта доступны через внутренние разъемы USB 3.2 Gen1)▪ 6x портов USB 2.0 (High-speed USB) (2 порта Type-A на задней панели, 4 порта доступны через внутренние разъемы USB 2.0)• Контроллер процессоров AMD®<ul style="list-style-type: none">▪ 2x порта USB 3.2 Gen2 (AMD Ryzen™ 3-го поколения) или USB 3.2 Gen1 (AMD Ryzen™ 2-го поколения/ Ryzen™ с видеокартой Radeon™ Vega и AMD Ryzen™ 2-го поколения с видеокартой Radeon™) Type-A и Type-C на задней панели▪ 2x порта USB 3.2 Gen1 (SuperSpeed USB) Type-A на задней панели
Аудио	<p>1x Realtek® ALC1220 Codec</p> <ul style="list-style-type: none">• 7.1-Channel High Definition Audio• Поддержка Optical S/PDIF-out
Разъемы задней панели	<ul style="list-style-type: none">• 1x кнопка очистки данных CMOS• 1x комбинированный порт PS/2 клавиатуры/ мыши• 2x порта USB 2.0• 2x разъема антенны Wi-Fi• 10x портов USB 3.2 Gen1 Type-A• 1x порт гигабитной LAN (RJ45)• 1x порт 10-гигабитной LAN (RJ45)• 2x порта USB 3.2 Gen2 Type-A и Type-C (в зависимости от модели процессора)• 5x аудиоразъемов OFC• 1x оптический разъем S/PDIF OUT

Продолжение на следующей странице

Продолжение с предыдущей страницы

Разъем на плате	<ul style="list-style-type: none">• 1x 24-контактный разъем питания ATX 12B• 2x 8-контактных разъема питания ATX 12B• 6x разъемов SATA 6Гб/с• 2x разъема M.2 (Ключ M)• 1x разъем USB 3.2 Gen2 Type-C• 2x разъема USB 3.2 Gen1 (поддержка 4-х дополнительных портов 4 USB 3.2 Gen1)• 2x разъема USB 2.0 (поддержка 4-х дополнительных портов 4 USB 2.0)• 1x 4-контактный разъем вентилятора процессора• 1x 4-контактный разъем Water Pump• 7x 4-контактных разъемов вентилятора системы• 1x аудиоразъем передней панели• 2x разъема системной панели• 1x разъем датчика открытия корпуса• 1x разъем модуля TPM• 2x 2-контактных разъема датчика температуры• 1x 4-контактный разъем RGB LED• 2x 3-контактных разъема RAINBOW LED• 1x 3-контактный разъем CORSAIR LED
Кнопка на плате	<ul style="list-style-type: none">• 1x кнопка питания• 1x кнопка сброса
Индикатор отладки	<ul style="list-style-type: none">• 1x 2-значный индикатор отладочных кодов• 4x индикатора отладки EZ
Контроллер ввода-вывода	NUVOTON NCT6797
Аппаратный мониторинг	<ul style="list-style-type: none">• Определение температуры процессора/системы• Определение скорости вентиляторов процессора/системы• Управление скоростью вентиляторов процессора/системы
Форм-фактор	<ul style="list-style-type: none">• E-ATX Форм-фактор• 12 x 10.7 дюйма (30.5 x 27.2 см)

Продолжение на следующей странице

Продолжение с предыдущей страницы

Параметры BIOS	<ul style="list-style-type: none">• 1x 256 Мб флэш• UEFI AMI BIOS• ACPI 6.1, SMBIOS 2.8• Мультиязычный интерфейс
Программное обеспечение	<ul style="list-style-type: none">• Драйверы• CREATOR CENTER• Nahimic Audio• CPU-Z MSI GAMING• MSI App Player (BlueStacks)• Google Chrome™, Google Toolbar, Google Drive• Norton™ Internet Security Solution
Функции Creator Center	<ul style="list-style-type: none">• CREATOR OPTIMIZATION• High Performance• Hardware Monitor• LAN Manager• True Color• Mystic Light• Live update <div data-bbox="657 676 785 804"></div> <p data-bbox="653 826 929 884">Для подробностей обратитесь http://download.msi.com/manual/mb/CREATORCENTER.pdf</p>

Продолжение на следующей странице

Продолжение с предыдущей страницы

**Эксклюзивные
функции**

- **Аудио**
 - Audio Boost 4
 - Nahimic 3
 - Voice Boost
- **Сеть**
 - 10G SUPER LAN
 - GAMING LAN с контроллером Gaming LAN Manager
 - Intel WiFi
- **Накопитель**
 - Lightning Gen4 M.2
 - Twin M.2
- **Охлаждение**
 - FROZR Heatsink Design
 - Propeller Blade Technology
 - M.2 Shield FROZR
 - Extended Heatsink Design
 - Pump Fan
 - Gaming Fan Control
- **Индикатор**
 - Mystic Light 3
 - Mystic Light Extension (RGB)
 - Mystic Light Extension (RAINBOW)
 - Mystic Light Extension (CORSAIR)
 - Mystic Light Sync
 - EZ DEBUG LED
- **Защита**
 - PCIe Steel Armor
 - DDR4 Steel Armor
 - M.2 Shield FROZR

Продолжение на следующей странице

Продолжение с предыдущей страницы

Эксклюзивные функции	• Производительность
	▪ Lightning Gen4 PCI-E Slot
	▪ Multi GPU-SLI Technology
	▪ Multi GPU-CrossFire Technology
	▪ DDR4 Boost
	▪ Core Boost
	▪ GAME Boost
	▪ USB с интерфейсом Type A+C
	▪ AMD Turbo USB 3.2 Gen 2
	▪ USB Type-C на передней панели
▪ Dual CPU Power	
• Ощущение игроков	
▪ GAMING HOTKEY	
▪ GAMING MOUSE Control	
▪ SPEED UP	
▪ Total Fan Control	
▪ Live Update	
▪ APP Player	
• BIOS	
▪ Click BIOS 5	

Технические характеристики разъема JCORSAIR1

Поддерживаемые продукты CORSAIR RGB	Максимальное количество подключенных устройств
RGB светодиодные полосы Lighting Node PRO	20* * Рекомендуется установить яркость подсветки на 20%, когда количество светодиодных лент превышает 8.
Вентиляторы HD120 с RGB светодиодной подсветкой	6
Вентиляторы SP120 с RGB светодиодной подсветкой	6
Вентиляторы LL120 с RGB светодиодной подсветкой	6

Комплект поставки

Проверьте комплект поставки материнской платы. В него должны входить следующие элементы:

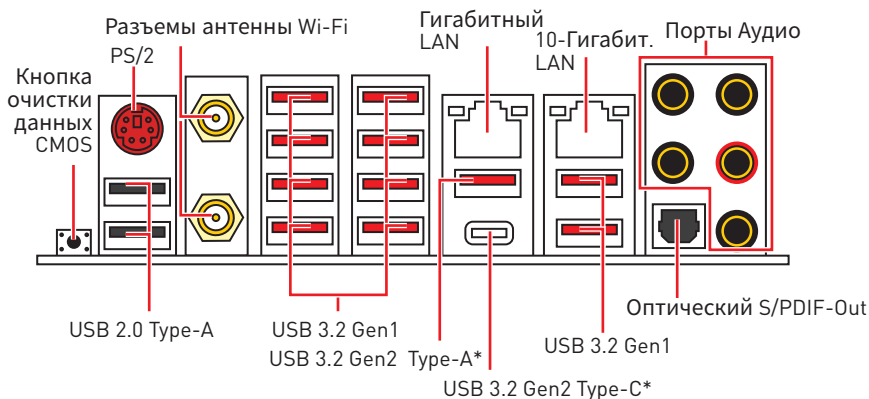
Материнская плата	PRESTIGE X570 CREATION	
Кабели	Кабель SATA 6ГБ/с	4
	Y-образный удлинительный кабель длиной 80см для подключения RGB LED	1
	Удлинительный кабель длиной 50см для подключения CORSAIR RGB LED	1
	Удлинительный кабель длиной 80см для подключения RAINBOW RGB LED	1
	Термисторный кабель	2
Аксессуары	Комплект антенны	1
	M.2 Xpander-Z Gen4	1
	Винт 8.5H для M.2	2
	Наклейка с логотипом	1
	Этикетки для маркировки кабелей SATA	1
	Регистрационная карточка продукта	1
Диск с утилитами	Диск с драйверами	1
Документы	Руководство пользователя	1
	Руководство по быстрой установке	1



Внимание!

Если какой-либо элемент из комплекта поставки поврежден или отсутствует, пожалуйста, свяжитесь с продавцом.

Задняя панель портов ввода/ вывода



*USB 3.2 Gen2 (AMD Ryzen™ 3-го поколения) или USB 3.2 Gen1 (AMD Ryzen™ 2-го поколения/ Ryzen™ с видеокартой Radeon™ Vega и AMD Ryzen™ 2-го поколения с видеокартой Radeon™)

• **Кнопка очистки данных CMOS** - Выключите компьютер. Нажмите и удерживайте кнопку очистки данных CMOS на 5-10 секунд для сброса настройки BIOS по умолчанию.

Таблица состояний индикатора порта LAN

Подключение/ Работа индикатора		Состояние	Скорость передачи данных	
Состояние	Описание		Гигабит. LAN	10-Гигабит. LAN
Выкл.	Не подключен	Выкл.	10 Мбит/с	Нет
Желтый	Подключен	Зеленый	100 Мбит/с	100 Мбит/с / 1 Гбит/с
Мигает	Передача данных	Оранжевый	1 Гбит/с	10 Гбит/с

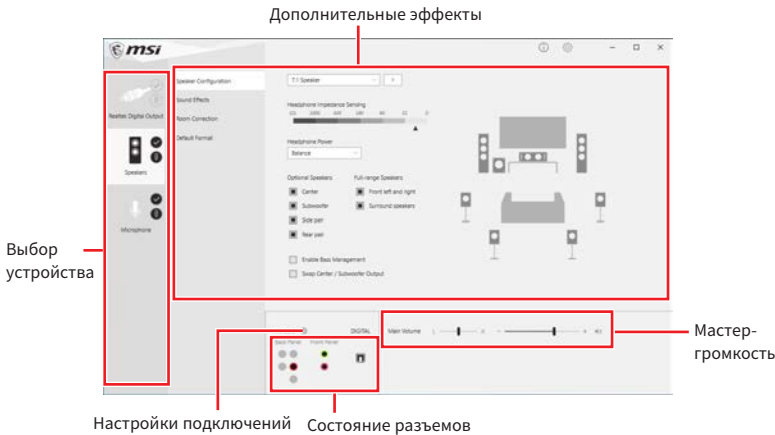
Конфигурация портов Audio

Порты Audio	Канал			
	2	4	6	8
Выход центральной колонки/ сабвуфера			●	●
Тыловые колонки		●	●	●
Линейный вход/ Выход боковых колонок				●
Линейный выход/ Выход фронтальных колонок	●	●	●	●
Микрофонный вход				

(●: подключен, Пусто: не подключен)

Realtek Audio Console

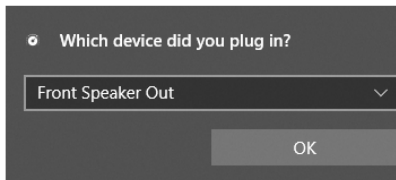
После установки Realtek Audio Console вы можете использовать его для изменения параметров звука, чтобы улучшить качество звука.



- **Выбор устройства** - позволяет выбрать источник аудио выхода и изменить соответствующие параметры. Отмеченное устройство будет использоваться по умолчанию.
- **Дополнительные эффекты** - это список опций по настройке звуковых эффектов для входного и выходного сигнала аудио устройства.
- **Мастер-громкость** - регулирует громкость или баланс правой и левой колонок, подключенных к передней или задней панели.
- **Состояние разъемов** - отображает все устройства воспроизведения и записи, подключенные к компьютеру.
- **Настройки подключений** - настраивают параметры подключения.

Автоматическое всплывающее диалоговое окно

При подключении устройства к разъему аудио появится диалоговое окно с просьбой подтвердить подключенное устройство.



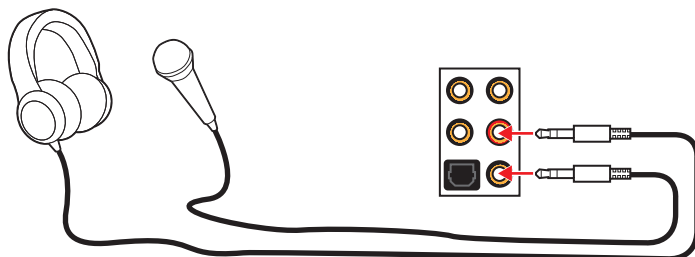
Каждый разъем соответствует его настройкам по умолчанию, как показано на следующей странице



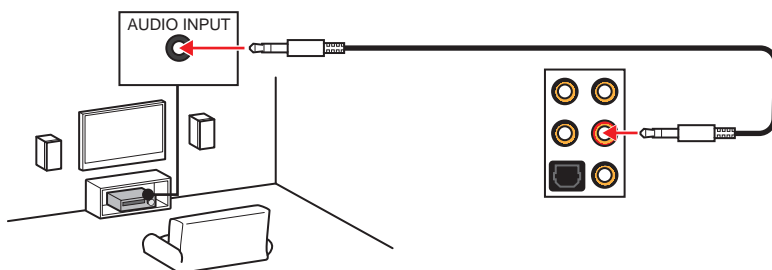
Внимание!

Изображения приведены исключительно в справочных целях и могут отличаться от фактических.

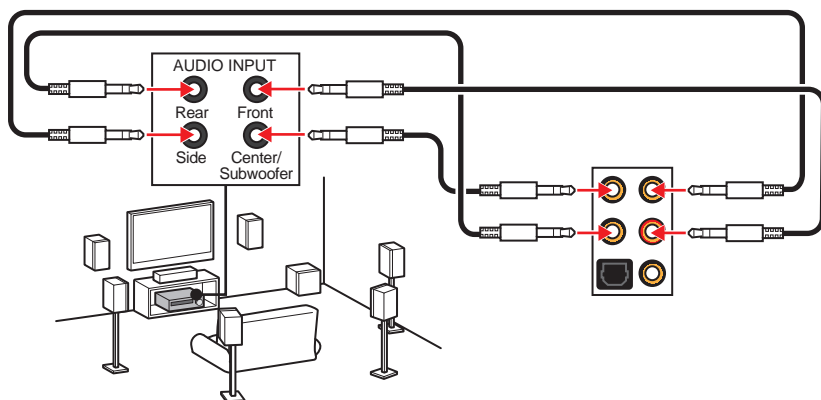
Подключение наушников и микрофона



Подключение внешнего стерео усилителя (колонок)

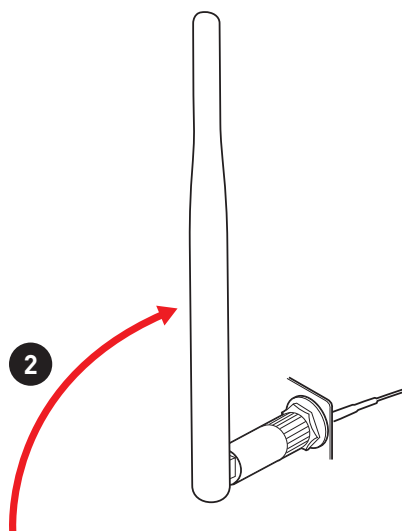
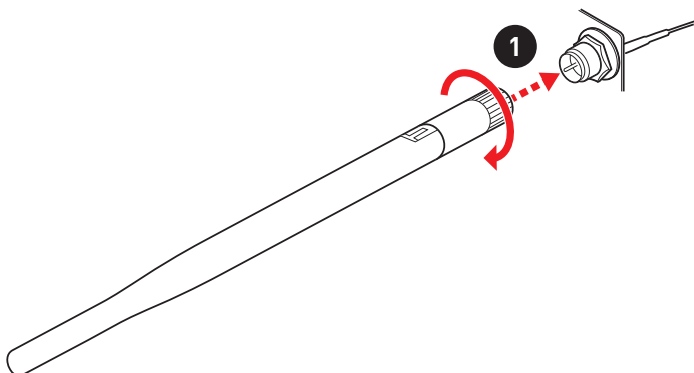


Подключение звуковой системы 7.1

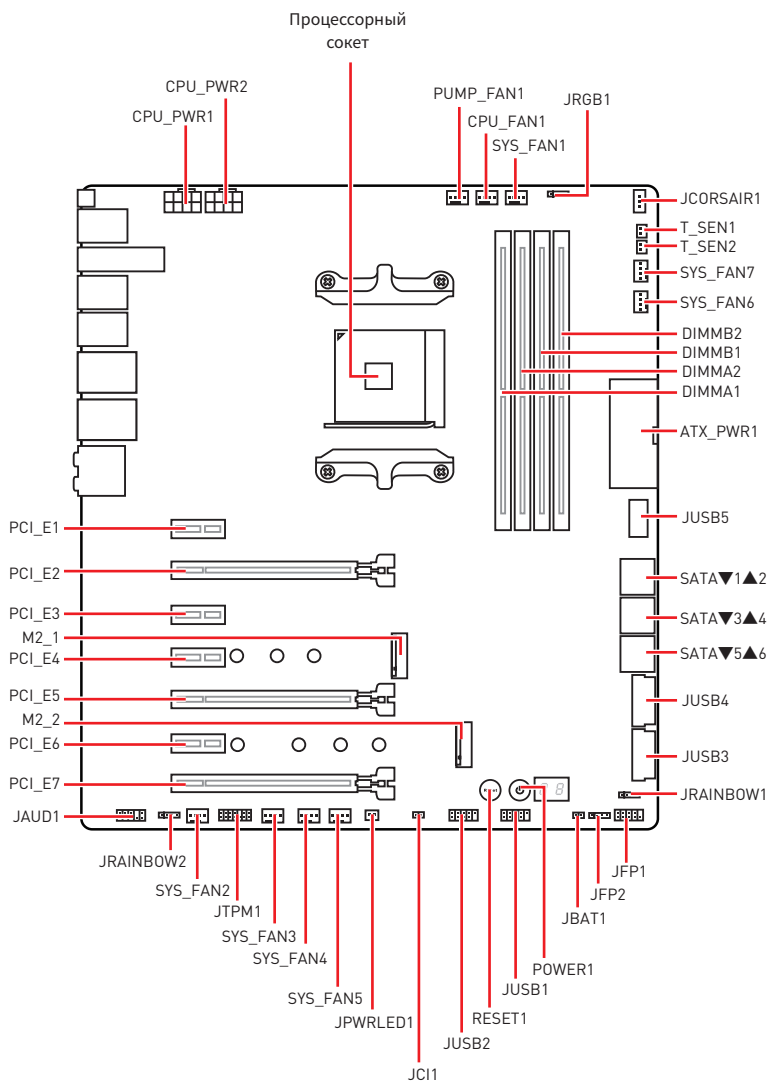


Установка антенн

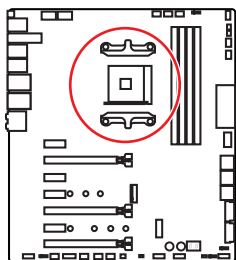
1. Прикрутите антенны к антенным разъемам, как показано ниже.
2. Сориентируйте антенны.



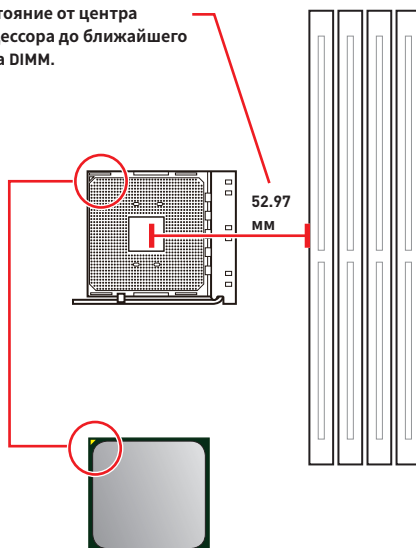
Компоненты материнской платы



Процессорный socket



Расстояние от центра процессора до ближайшего слота DIMM.



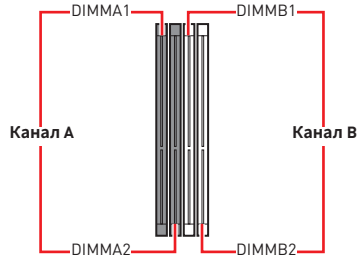
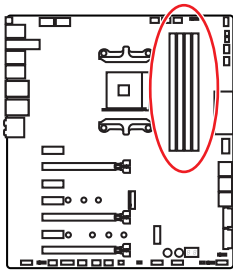
Процессор AM4

На поверхности процессора AM4 имеется золотой треугольник для правильной установки процессора относительно процессорного сокета материнской платы. Золотой треугольник указывает на контакт 1.

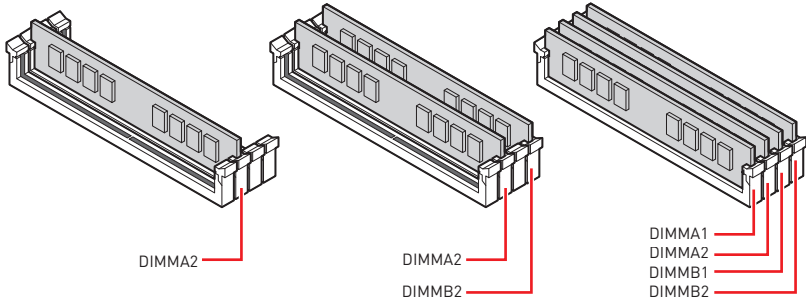
Внимание!

- Из-за особенностей архитектуры процессоров AM4, замена процессора может привести к сбросу настроек BIOS до значений по умолчанию.
- Перед установкой или заменой процессора, необходимо отключить кабель питания.
- При установке процессора обязательно установите процессорный кулер. Кулер, представляющий собой систему охлаждения процессора, предотвращает перегрев и обеспечивает стабильную работу системы.
- Перед включением системы проверьте герметичность соединения между процессором и радиатором.
- Перегрев может привести к серьезному повреждению процессора и материнской платы. Всегда проверяйте работоспособность вентилятора для защиты процессора от перегрева. При установке кулера нанесите ровный слой термопасты (или термоленту) на крышку установленного процессора для улучшения теплопередачи.
- Если вы приобрели отдельно процессор и процессорный кулер, подробное описание установки см. в документации в данном кулере.
- Данная системная плата разработана с учетом возможности ее «разгона». Перед выполнением разгона системы убедитесь в том, что все компоненты системы смогут его выдержать. Производитель не рекомендует использовать параметры, выходящие за пределы технических характеристик устройств. Гарантия MSI® не распространяется на повреждения и другие возможные последствия ненадлежащей эксплуатации оборудования.

Слоты DIMM



Рекомендации по установке модулей памяти



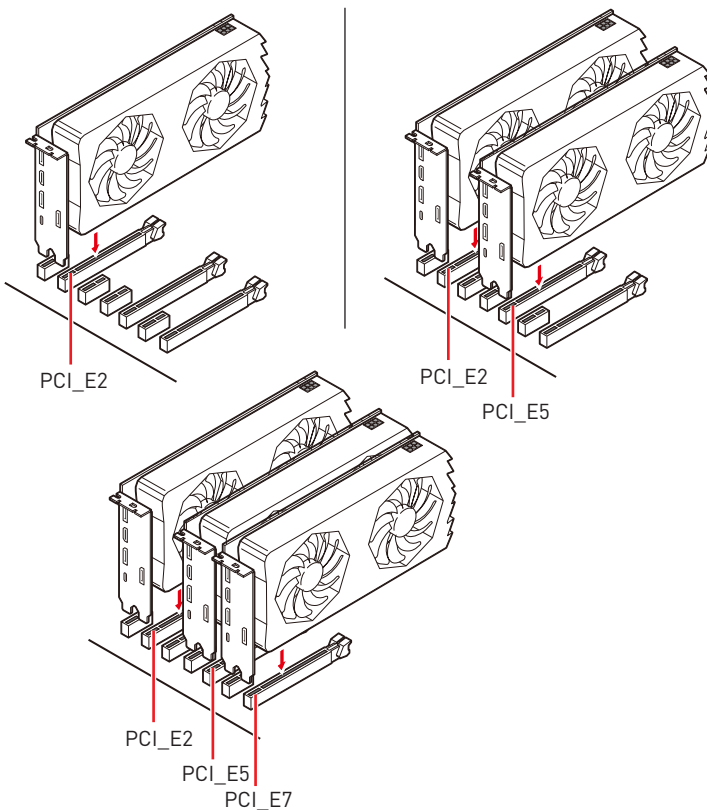
Внимание!

- Всегда устанавливайте модуль памяти сначала в слот **DIMMA2**.
- В связи со спецификой использования ресурсов чипсета, доступный объем памяти будет немного меньше, чем объем установленный.
- На основе характеристик процессора, рекомендуется устанавливать напряжение на памяти DIMM менее 1.35 В. Это позволит защитить процессор.
- Некоторые модули памяти при разгоне могут работать на частотах ниже заявленной производителем, поскольку выставляемая для памяти частота зависит от информации, записанной в SPD (Serial Presence Detect). Зайдите в BIOS и выберите опцию **DRAM Frequency**, чтобы установить заявленную или более высокую частоту.
- При установке памяти во все слоты, а также при ее разгоне, рекомендуется использовать более эффективную систему охлаждения памяти.
- Совместимость и стабильность работы установленного модуля памяти при разгоне зависит от установленного процессора и других устройств.
- Из-за ограничений официальной спецификации процессора AM4/ контроллера памяти, модули памяти могут работать на частотах ниже заявленной производителем при настройках по умолчанию. Дополнительную информацию о совместимых модулях памяти можно найти на веб-сайте www.msi.com.

PCI_E1~7: Слоты расширения PCIe

Слот	AMD Ryzen™ 3-го поколения	AMD Ryzen™ 2-го поколения	Ryzen™ с видеокартой Radeon™ Vega и AMD Ryzen™ 2-го поколения с видеокартой Radeon™
PCI_E1	PCIe 2.0 x1	PCIe 2.0 x1	PCIe 2.0 x1
PCI_E2	PCIe 4.0 x16	PCIe 3.0 x16	PCIe 3.0 x8
PCI_E3	PCIe 2.0 x1	PCIe 2.0 x1	PCIe 2.0 x1
PCI_E4	PCIe 2.0 x1	PCIe 2.0 x1	PCIe 2.0 x1
PCI_E5	PCIe 4.0 x8	PCIe 3.0 x8	—
PCI_E6	PCIe 2.0 x1	PCIe 2.0 x1	PCIe 2.0 x1
PCI_E7	PCIe 4.0 x4	PCIe 3.0 x4	PCIe 3.0 x4

Рекомендации по установке модулей памяти (Процессоры серии Ryzen™)



Внимание!

• При установке массивной видеокарты, необходимо использовать такой инструмент, как **MSI Gaming Series Graphics Card Bolster** для поддержки веса графической карты и во избежание деформации слота.

• Для установки одной карты расширения PCIe x16 с оптимальной производительностью рекомендуется использовать слот **PCI_E2**.

• Перед установкой или извлечением плат расширения убедитесь, что кабель питания отключен от электрической сети. Прочтите документацию на карту расширения и выполните необходимые дополнительные аппаратные или программные изменения для данной карты.

Таблица пропускной способности PCIe

Для процессоров AMD Ryzen™ 3-го поколения

Слот	Одинарный	2-Way	3-Way
PCI_E2 (CPU)	Gen 4.0 x 16*	Gen 4.0 x 8*	Gen 4.0 x 8*
PCI_E5 (CPU)	—	Gen 4.0 x 8*	Gen 4.0 x 8*
PCI_E7 (PCH)	Gen 4.0 x 4	Gen 4.0 x 4	Gen 4.0 x 4*

Для процессоров AMD Ryzen™ 2-го поколения

Слот	Одинарный	2-Way	3-Way
PCI_E2 (CPU)	Gen 3.0 x 16*	Gen 3.0 x 8*	Gen 3.0 x 8*
PCI_E5 (CPU)	—	Gen 3.0 x 8*	Gen 3.0 x 8*
PCI_E7 (PCH)	Gen 3.0 x 4	Gen 3.0 x 4	Gen 3.0 x 4*

Для процессоров Ryzen™ с видеокартой Radeon™ Vega и процессоров AMD Ryzen™ 2-го поколения с видеокартой Radeon™

Слот	Одинарный	2-Way
PCI_E2 (CPU)	Gen 3.0 x 8*	Gen 3.0 x 8*
PCI_E5 (CPU)	—	—
PCI_E7 (PCH)	Gen 3.0 x 4	Gen 3.0 x 4*

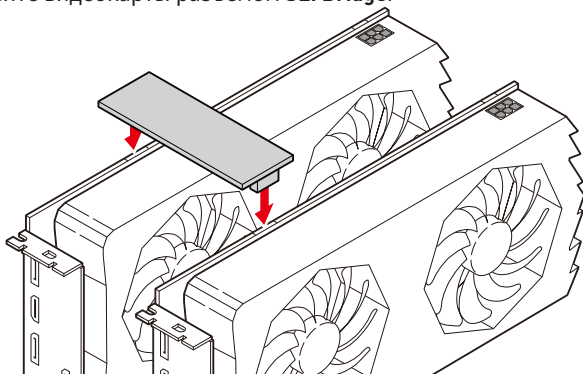
(—: недоступно, *: слот видеокарты)

Установка видеокарт в режиме SLI

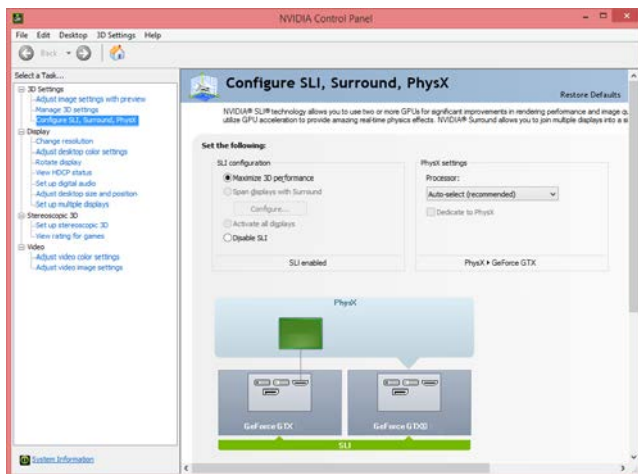
Для выполнения рекомендаций по питанию видеокарт в SLI конфигурациях, пожалуйста, обратитесь к руководству пользователя вашей видеокарты, чтобы убедиться, что она соответствует всем требованиям системы.

Для установки видеокарт в SLI:

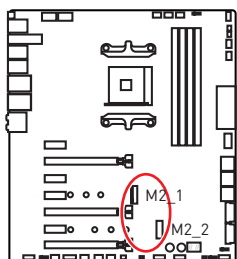
1. Выключите компьютер и отсоедините шнур питания. Установите две видеокарты в слот **PCI_E2** и **PCI_E5**.
2. Соедините видеокарты разъемом **SLI Bridge**.



3. Подключите все разъемы питания PCIe видеокарт.
4. Подключите кабель питания, включите компьютер, установите драйверы и программное обеспечение из комплекта поставки видеокарты.
5. Щелкните правой кнопкой мыши на Рабочем столе Windows и выберите **NVIDIA Control Panel** из раскрывшегося меню. Нажмите на **Configure SLI, Surround, PhysX** в левой панели задач и выберите **Maximize 3D performance** в меню конфигурации SLI, а затем нажмите кнопку **Apply**.



M2_1~2: Разъемы M.2 (Ключ M)

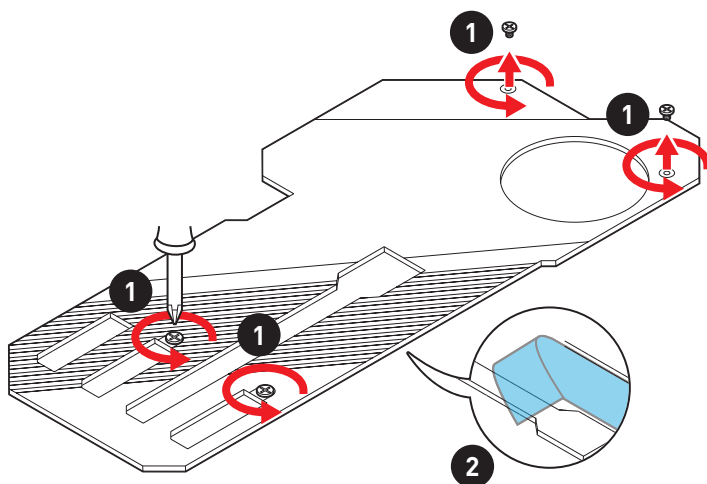


В следующей таблице описывается отношение между слотами M.2 и пропускной способностью PCIe на процессорах.

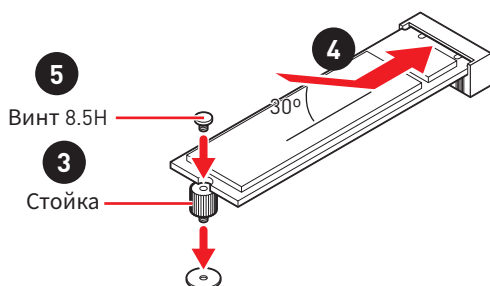
Слот	AMD Ryzen™ 3-го поколения	AMD Ryzen™ 2-го поколения	Ryzen™ с видеокартой Radeon™ Vega и AMD Ryzen™ 2-го поколения с видеокартой Radeon™
M2_1	PCIe 4.0 x4	PCIe 3.0 x4	PCIe 3.0 x4
M2_2	PCIe 4.0 x4	PCIe 3.0 x4	PCIe 3.0 x4

Установка модуля M.2

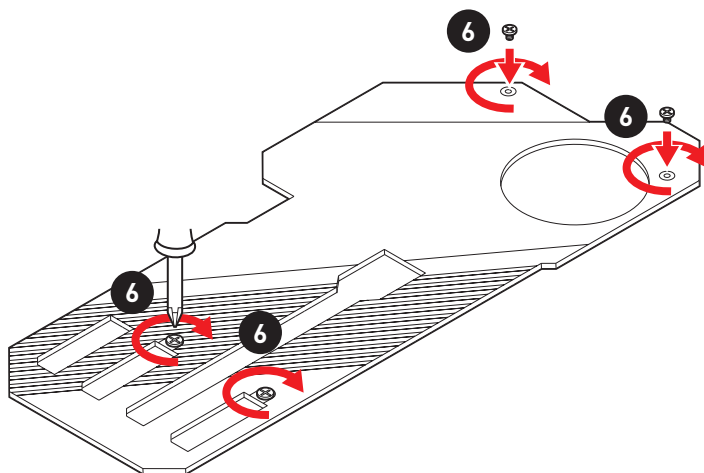
1. Удалите винт для M.2 SHIELD FROZR.
2. Удалите M.2 SHIELD FROZR и снять защитную пленку с термоинтерфейса.



3. При необходимости переместите стойки в соответствии с длиной M.2 SSD.
4. Вставьте M.2 SSD в разъем M.2 под углом 30 градусов.
5. Закрепите M.2 SSD с помощью прилагаемого винта 8.5H для M.2.

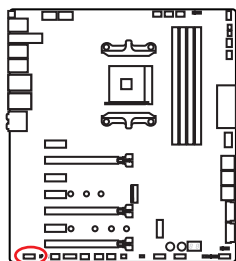


6. Установите на место радиатор M.2 SHIELD FROZR и закрепите его.



JAUD1: Разъем аудио передней панели

Данный разъем предназначен для подключения аудиоразъемов передней панели.

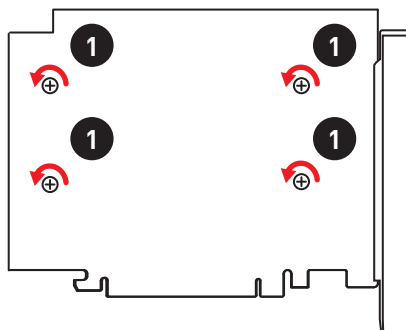


1	MIC L	2	Ground
3	MIC R	4	NC
5	Head Phone R	6	MIC Detection
7	SENSE_SEND	8	No Pin
9	Head Phone L	10	Head Phone Detection

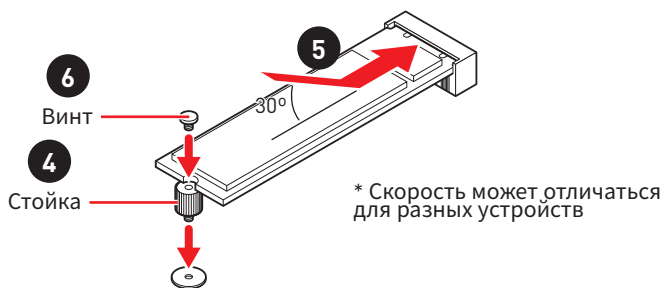
Установка M.2 XPANDER-Z GEN 4

Для установки карты M.2 XPANDER-Z GEN 4, выполните следующие шаги.

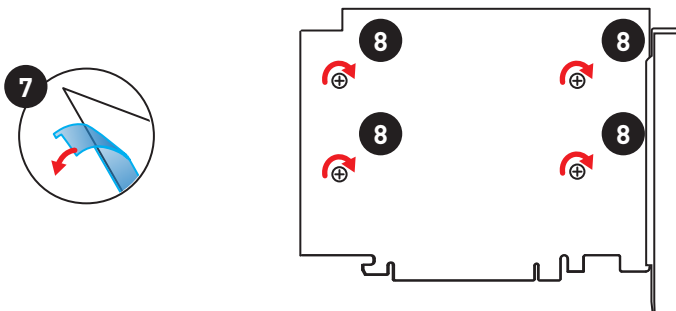
1. Выкрутите 4 винта на задней панели карты M.2 XPANDER-Z GEN 4 и удалите радиатор.



2. Выкрутите винты для M.2 из стойки.
3. Выкрутите стойки для крепления M.2.
4. Закрутите стойку для крепления M.2 модуля в подходящее отверстие, в соответствии с длиной вашего M.2 SSD.
5. Вставьте M.2 SSD в разъем M.2 под углом 30 градусов.
6. Закрепите устройства M.2 с помощью винта для M.2.



7. Снимите защитную пленку с термоинтерфейса радиатора.
8. Установите и закрепите радиатор с помощью 4-х винтов радиатора.



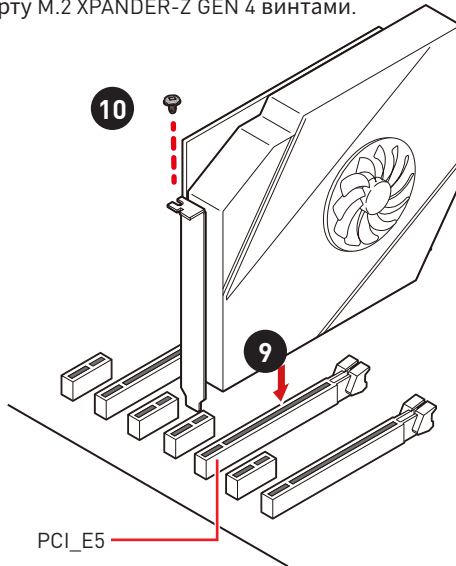
9. Вставьте карту M.2 XPANDER-Z GEN 4 в слот **PCI_E5**.



Внимание!

Только слот **PCI_E1**, **PCI_E5** поддерживает установку карты M.2 XPANDER-Z GEN 4.

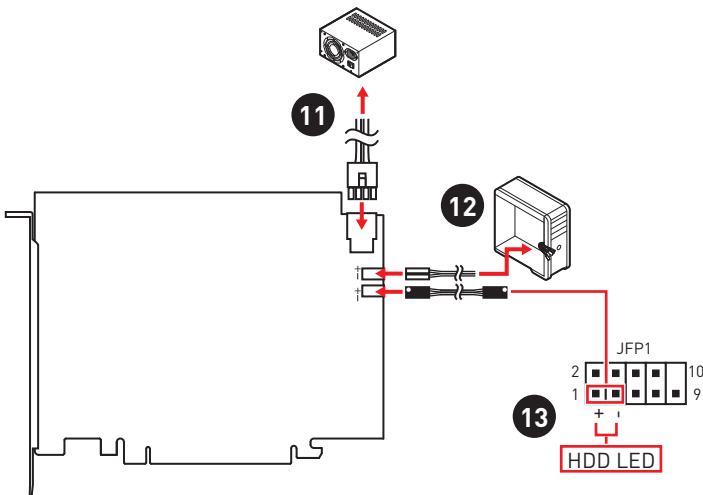
10. Закрепите карту M.2 XPANDER-Z GEN 4 винтами.



11. Подключите разъем **PCIE_PWR1** к блоку питания.

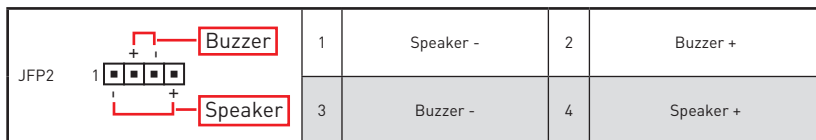
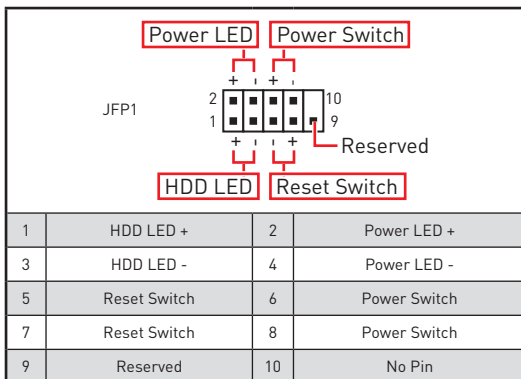
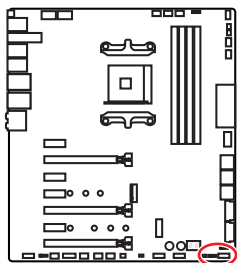
12. Подключите кабель HDD LED для корпуса к разъему **JCASE**.

13. Используйте прилагаемый кабель HDD LED для подключения разъема **JMB** к контактам **HDD** в разъеме **JFP1** (контакт №1 и контакт №3).



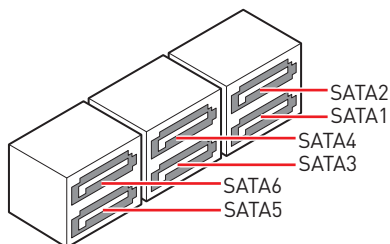
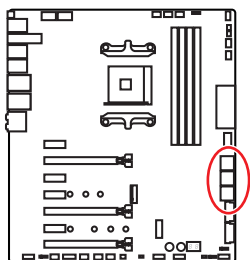
JFP1, JFP2: Разъемы передней панели

Эти разъемы служат для подключения кнопок и светодиодных индикаторов, расположенных на передней панели.



SATA1~6: Разъемы SATA 6ГБ/с

Эти разъемы представляют собой интерфейсные порты SATA 6ГБ/с. К каждому порту можно подключить одно устройство SATA.

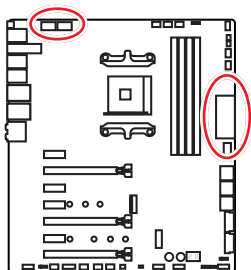



Внимание!

- Избегайте перегибов кабеля SATA под прямым углом. В противном случае, возможна потеря данных при передаче.
- Кабели SATA оснащены одинаковыми коннекторами с обеих сторон. Однако, для экономии занимаемого пространства к материнской плате рекомендуется подключать плоский разъем.

CPU_PWR1~2, ATX_PWR1: Разъемы питания

Данные разъемы предназначены для подключения блока питания АТХ.



 CPU_PWR1/ CPU_PWR2			
1	Ground	5	+12V
2	Ground	6	+12V
3	Ground	7	+12V
4	Ground	8	+12V

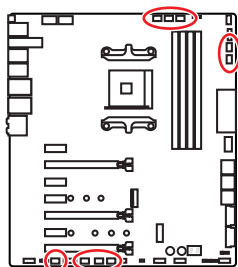
 ATX_PWR1			
1	+3.3V	13	+3.3V
2	+3.3V	14	-12V
3	Ground	15	Ground
4	+5V	16	PS-ON#
5	Ground	17	Ground
6	+5V	18	Ground
7	Ground	19	Ground
8	PWR OK	20	Res
9	5VSB	21	+5V
10	+12V	22	+5V
11	+12V	23	+5V
12	+3.3V	24	Ground

Внимание!

- Для обеспечения стабильной работы системной платы проверьте надежность подключения всех кабелей питания к блоку питания АТХ.
- К разъему CPU_PWR1 и CPU_PWR2 рекомендуется подключить два 8-контактных разъема питания или как минимум один 8-контактный и один 4-контактный разъемы питания для оптимизации стабильности системы и предотвращения перегрева материнской платы при большой нагрузке.

CPU_FAN1, PUMP_FAN1, SYS_FAN1~7: Разъемы вентиляторов

Разъемы вентиляторов можно разделить на два типа: с PWM (PulseWidth Modulation) управлением и управлением постоянным током. Разъемы вентиляторов с PWM управлением имеют контакт с постоянным напряжением 12В, а также контакт с сигналом управления скоростью вращения. Управление скоростью вращения вентиляторов с управлением постоянным током, осуществляется через соответствующие разъемы путем изменения величины напряжения. Данная материнская плата может автоматически определить режим управления: PWM или DC. Для настройки режима работы вентилятора вручную (PWM или DC), следуйте указаниям ниже.



Разъем вентилятора с управлением PWM по умолчанию



CPU_FAN1/ PUMP_FAN1

Разъем вентилятора с управлением DC по умолчанию



SYS_FAN6-7



SYS_FAN1-5

Переключение режимов работы и скорости вращения вентилятора

В меню **BIOS > HARDWARE MONITOR** вы можете выбрать режим работы вентилятора: PWM или DC, а также настроить его скорость вращения.

Выберите режим **PWM** или **DC**



Вы можете регулировать скорость вращения вентилятора в зависимости от температуры процессора путем изменения положения градиентных точек.

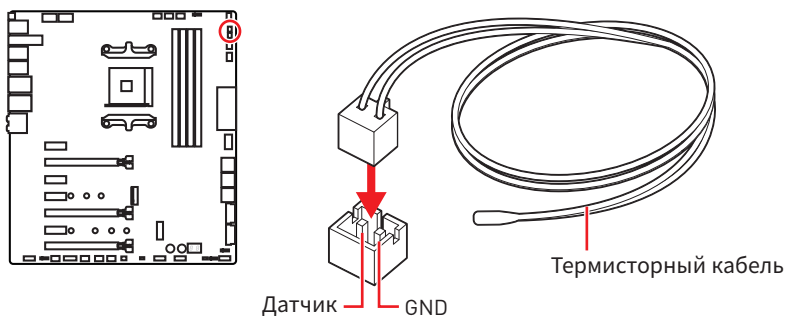
Назначение контактов разъема для подключения вентилятора

Назначение контактов разъема для режима PWM			
1	Ground	2	+12V
3	Sense	4	Speed Control Signal

Назначение контактов разъема для режима DC			
1	Ground	2	Voltage Control
3	Sense	4	NC

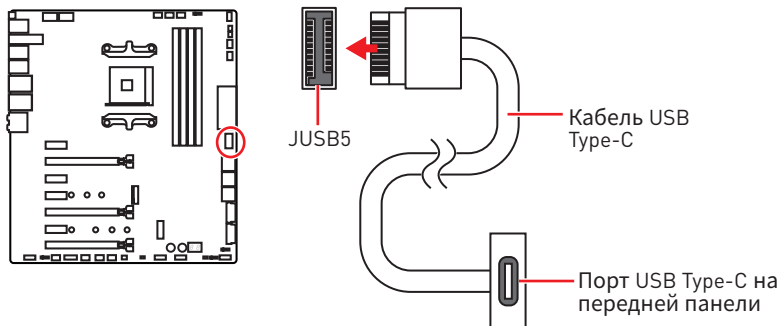
T_SEN1~2: Разъемы датчика температуры

Данные разъемы предназначены для подключения кабеля термистора, который используется для контроля температуры в заданной точке.



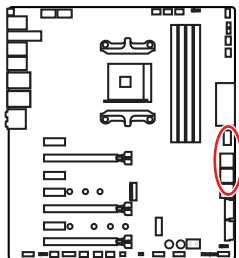
JUSB5: Разъем USB 3.2 Gen 2 Type-C

Данный разъем предназначен для подключения разъемов USB 3.2 Gen 2 Type-C на передней панели. Данный коннектор имеет защиту от неправильного подключения. При подключении кабеля убедитесь, что коннектор ориентирован правильно относительно разъема.



JUSB3~4: Разъемы USB 3.2 Gen1

Данные разъемы предназначены для подключения портов USB 3.2 Gen1 на передней панели.



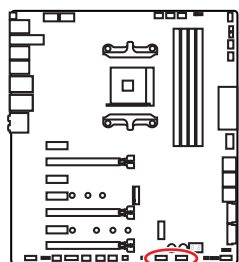
1	Power	11	USB2.0+
2	USB3_RX_DN	12	USB2.0-
3	USB3_RX_DP	13	Ground
4	Ground	14	USB3_TX_C_DP
5	USB3_TX_C_DN	15	USB3_TX_C_DN
6	USB3_TX_C_DP	16	Ground
7	Ground	17	USB3_RX_DP
8	USB2.0-	18	USB3_RX_DN
9	USB2.0+	19	Power
10	NC	20	No Pin

Внимание!

Помните, что во избежание повреждений, необходимо правильно подключать контакты VCC и земли.

JUSB1~2: Разъемы USB 2.0

Данные разъемы предназначены для подключения портов USB 2.0 на передней панели.



1	VCC	2	VCC
3	USB0-	4	USB1-
5	USB0+	6	USB1+
7	Ground	8	Ground
9	No Pin	10	NC

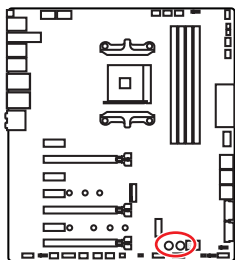
Внимание!

• Помните, что во избежание повреждений, необходимо правильно подключать контакты VCC и земли.

• Для того, чтобы зарядить ваш iPad, iPhone и iPod через порты USB, пожалуйста, установите утилиту MSI CREATOR CENTER.

POWER1, RESET1: Кнопка питания, Кнопка перезагрузки

Кнопка питания/ перезагрузки позволяет вам включить/ перезагрузить компьютер.



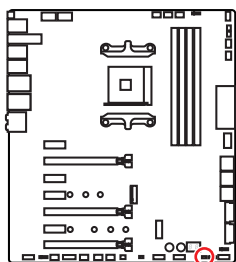
Кнопка питания



Кнопка перезагрузки

JBAT1: Джемпер очистки данных CMOS (Сброс BIOS)

На плате установлена CMOS память с питанием от батарейки для хранения данных о конфигурации системы. Для сброса конфигурации системы (очистки данных CMOS памяти), воспользуйтесь этим джемпером.



Сохранение
данных
(По умолчанию)



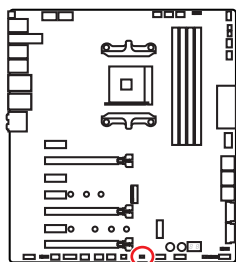
Очистка данных/
Сброс BIOS

Сброс настроек BIOS до значений по умолчанию

1. Выключите компьютер и отключите шнур питания.
2. Используйте джемпер, чтобы замкнуть соответствующие контакты **JBAT1** в течение 5-10 секунд.
3. Снимите джемпер с контактов **JBAT1**.
4. Подключите шнур питания и включите компьютер.

JC11: Разъем датчика открытия корпуса

К этому разъему подключается кабель от датчика открытия корпуса.



Нормально
(По умолчанию)



Разрешить запись
по событию
открытия корпуса

Использование датчика открытия корпуса

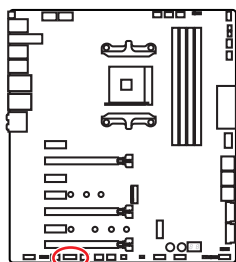
1. Подключите датчик открытия корпуса к разъему **JC11**.
2. Закройте крышку корпуса.
3. Войдите в **BIOS > SETTINGS > Security > Chassis Intrusion Configuration**.
4. Установите **Chassis Intrusion** в **Enabled**.
5. Нажмите клавишу **F10**, чтобы сохранить настройки и выйти, а затем нажмите клавишу **Enter**, чтобы выбрать **Yes**.
6. При открытии корпуса на экране будет появляться предупреждающее сообщение каждый раз при включении компьютера.

Сброс сообщения об открытии корпуса

1. Войдите в **BIOS > SETTINGS > Security > Chassis Intrusion Configuration**.
2. Выберите **Chassis Intrusion, Reset**.
3. Нажмите клавишу **F10**, чтобы сохранить настройки и выйти, а затем нажмите клавишу **Enter**, чтобы выбрать **Yes**.

JTPM1: Разъем модуля TPM

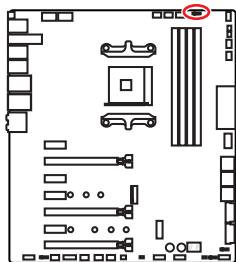
Данный разъем используется для подключения модуля TPM (Trusted Platform Module). Дополнительные сведения см. в описании модуля TPM.



1	LPC Clock	2	3V Standby power
3	LPC Reset	4	3.3V Power
5	LPC address & data pin0	6	Serial IRQ
7	LPC address & data pin1	8	5V Power
9	LPC address & data pin2	10	No Pin
11	LPC address & data pin3	12	Ground
13	LPC Frame	14	Ground

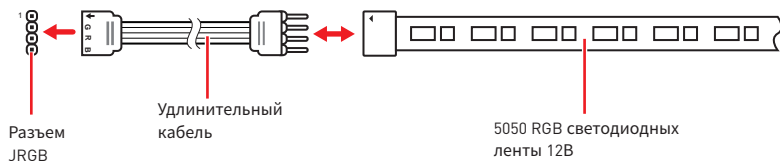
JRGB1: Разъем RGB LED

Разъем JRGB предназначен для подключения 5050 RGB светодиодных лент 12В.

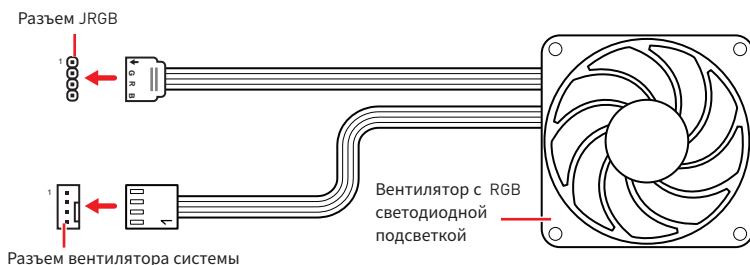


1			
1	+12V	2	G
3	R	4	B

Подключение RGB светодиодных лент



Подключение вентиляторов с RGB светодиодной подсветкой

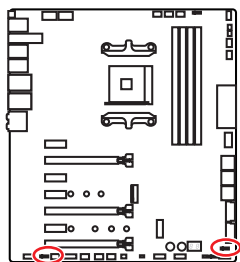


⚠ Внимание!

- Разъем JRGB поддерживает подключение 5050 RGB непрерывных светодиодных лент (12В/G/R/B) длиной до 2 метров с максимальной мощностью 3А (12В).
- Перед установкой или заменой светодиодных лент RGB, необходимо полностью обесточить систему и отключить кабель питания.
- Используйте утилиту MSI® для управления удлинительными светодиодными лентами.

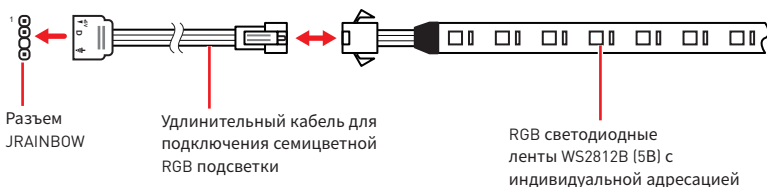
JRAINBOW1~2: Разъемы адресных RGB LED

Разъем JRAINBOW предназначен для подключения RGB светодиодных лент WS2812B (5B) с индивидуальной адресацией.

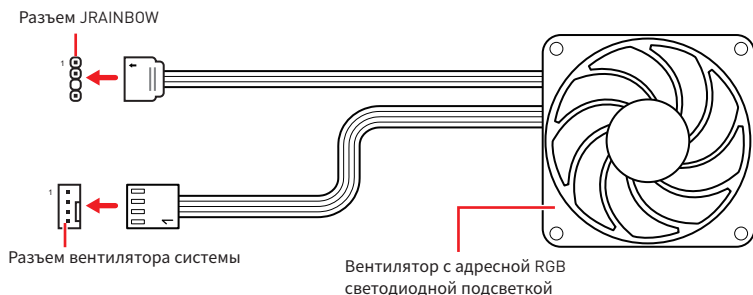


1			
1	+5V	2	Data
3	No Pin	4	Ground

Подключение адресных RGB светодиодных лент



Подключение вентиляторов с адресной RGB светодиодной подсветкой



ВНИМАНИЕ!

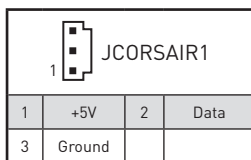
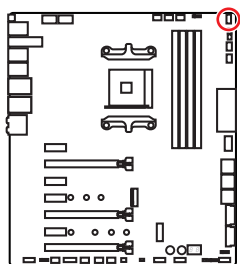
Не подключайте несовместимые с материнской платой светодиодные ленты. Разъем JRGB и разъем JRAINBOW имеют разное напряжение, и подключение светодиодных лент 5В к разъему JRGB приведет к их повреждению.

Внимание!

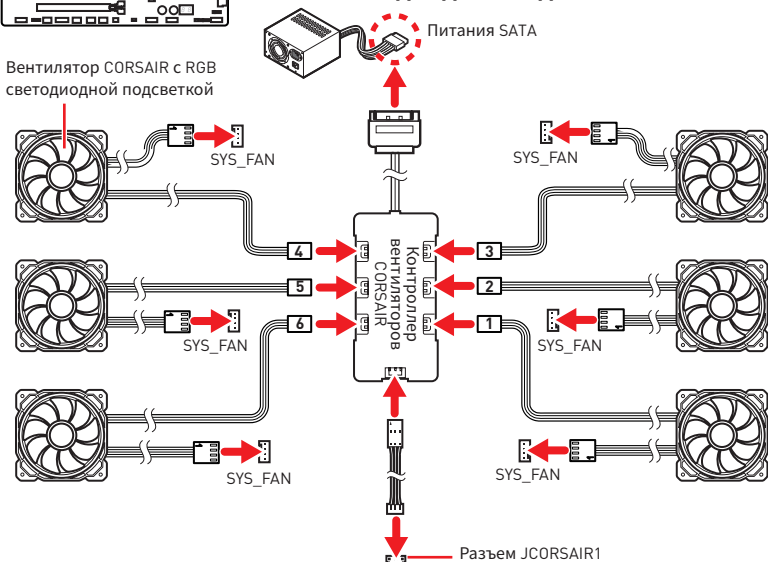
- Разъем JRAINBOW поддерживает подключение RGB светодиодных лент WS2812B с индивидуальной адресацией (5B/Data/Ground) с максимальной мощностью 3А (5В), и максимальное количество светодиодов составляет 75. Когда яркость подсветки установлена на 20%, к данному разъему можно подключить до 200 светодиодов.
- Перед установкой или заменой светодиодных лент RGB, необходимо полностью обесточить систему и отключить кабель питания.
- Используйте утилиту MSI® для управления удлинительными светодиодными лентами.

JCORSAIR1: Разъем CORSAIR

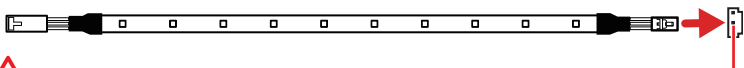
Разъем JCORSAIR1 используется для подключения RGB светодиодных лент CORSAIR (5B) с индивидуальной адресацией или вентиляторов CORSAIR с RGB светодиодной подсветкой через контроллер вентиляторов CORSAIR. Когда все элементы правильно подключены, используйте утилиту MSI для управления RGB светодиодными лентами и вентиляторами CORSAIR с подсветкой.



Подключение вентиляторов CORSAIR с RGB светодиодной подсветкой



Подключение светодиодных лент CORSAIR Lighting Node PRO



Внимание!

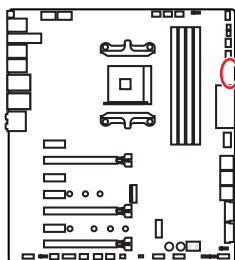
- Вентиляторы необходимо подключать последовательно, начиная с разъема № 1. Последовательность подключения вентиляторов к разъемам: 1 > 2 > 3 > 4 > 5 > 6. Пренебрежение правилами подключения вентиляторов к разъемам может привести к неработоспособности их подсветки.
- Количество поддерживаемых вентиляторов с RGB светодиодной подсветкой или светодиодных лент RGB Lighting PRO может различаться в зависимости от модели. Для получения подробной информации обратитесь к техническим характеристикам материнской платы.
- Вентиляторы CORSAIR с RGB светодиодной подсветкой нельзя использовать одновременно со светодиодными лентами CORSAIR Lighting Node PRO.

Разъем JCORSAIR1

Встроенные индикаторы

Индикаторы отладки EZ

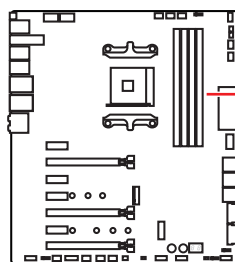
Данные светодиоды показывают состояния материнской платы.



- CPU** - процессор не обнаружен или поврежден.
- DRAM** - память DRAM не обнаружена или повреждена.
- VGA** - видеокарта не обнаружена или повреждена.
- BOOT** - устройство загрузки не обнаружено или повреждено.

Индикатор XMP

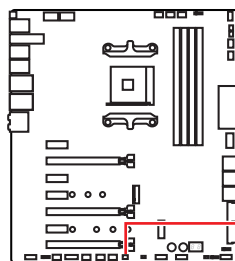
Данный LED показывает включение режима XMP (Extreme Memory Profile).



Индикатор XMP

JPWRLED1: Индикатор подключения питания

Данные компоненты используются в розничных магазинах для демонстрации светодиодных эффектов на плате.



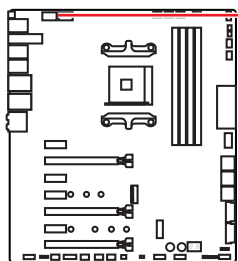
JPWRLED1 - Индикатор подключения питания

Индикатор питания процессора


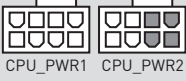






Данный индикатор показывает, что к 8-контактным разъемам питания процессора (CPU_PWR1 и CPU_PWR2) подключен 4-контактный разъем питания.

 **Внимание!**

Когда индикатор питания процессора светится, компьютер может запуститься, но из-за нехватки мощности электропитания, могут возникнуть проблемы со стабильностью системы.

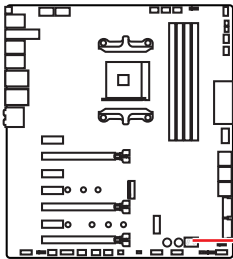


Индикатор питания процессора

Цвет индикатора	Состояние разъемов питания процессора
Красный	 CPU_PWR1 CPU_PWR2
	 CPU_PWR1 CPU_PWR2
	 CPU_PWR1 CPU_PWR2
Выкл.	 CPU_PWR1 CPU_PWR2
	 CPU_PWR1 CPU_PWR2
	 CPU_PWR1 CPU_PWR2
	 CPU_PWR1 CPU_PWR2
	 CPU_PWR1 CPU_PWR2

Индикатор отладочных кодов

Индикатор отладочных кодов отображает фазы процесса самотестирования POST, а также коды ошибок. Для получения дополнительной информации см. таблицу отладочных кодов.



Индикатор отладочных кодов

Таблица шестнадцатиричных символов

Шестнадцатиричный символ	0	1	2	3	4	5	6	7	8	9	A	B	C	D	E	F
Индикатор отладочных кодов	0	1	2	3	4	5	6	7	8	9	A	B	C	D	E	F

Фазы загрузки

Security (SEC) – начальная инициализация низкого уровня

Pre-EFI Initialization (PEI) – инициализация памяти

Driver Execution Environment (DXE) – инициализация оборудования

Boot Device Selection (BDS) – настройки системы, пользовательский интерфейс до загрузки ОС & выбор загрузочного устройства (CD/DVD, HDD, USB, Network, Shell, ...)

Таблица отладочных кодов

Прогресс-коды SEC

01	Питание включено. Определение типа сброса (soft/hard)
02	Инициализация AP перед загрузкой микрокода
03	Инициализация System Agent перед загрузкой микрокода
04	Инициализация PCH перед загрузкой микрокода
06	Загрузка микрокода
07	Инициализация AP после загрузки микрокода
08	Инициализация System Agent после загрузки микрокода
09	Инициализация PCH после загрузки микрокода
0B	Инициализация Кэша

Коды ошибок SEC

0C - 0D	Зарезервировано для будущего использования кодами ошибок AMI SEC
0E	Микрокод не найден
0F	Микрокод не загружен

Прогресс-коды PEI

10	Запущено ядро PEI
11	Запущена инициализация Pre-memory CPU
12 - 14	Инициализация Pre-memory CPU (только модуль CPU)
15	Запущена предварительная инициализации System Agent
16 - 18	Предварительная инициализация System Agent (только модуль System Agent)
19	Запущена предварительная инициализации памяти PCH
1A - 1C	Предварительная инициализация памяти PCH (только модуль PCH)
2B	Инициализация памяти. Чтение данных Serial Presence Detect (SPD)
2C	Инициализация памяти. Определение наличия памяти
2D	Инициализация памяти. Информация о программировании таймингов памяти
2E	Инициализация памяти. Конфигурирование памяти
2F	Инициализация памяти (другое)
31	Память установлена
32	Запущена инициализация CPU post-memory
33	Инициализация CPU post-memory. Инициализация Кэша
34	Инициализация CPU post-memory. Инициализация Application Processor(s) (AP)
35	Инициализация CPU post-memory Загрузка. Выбор Strap Processor (BSP)
36	Инициализация CPU post-memory Система. Инициализация Management Mode (SMM)
37	Запущена предварительная инициализация Post-Memory System Agent
38 - 3A	Инициализация Post-Memory System Agent (только модуль System Agent)
3B	Запущена инициализация Post-Memory PCH
3C - 3E	Инициализация Post-Memory PCH (только модуля PCH)
4F	Запущен DXE IPL

Коды ошибок PEI

4B	Память не установлена (Для Summit CPU)
E0	Память не установлена (Для Bristol CPU)

Прогресс-коды DXE

60	Запущен DXE Core
61	Инициализация NVRAM
62	Настройка PCH Runtime Services
63	Запущена инициализация CPU DXE
64 - 67	Инициализация CPU DXE (только модуль CPU)
68	Инициализация PCI host bridge
69	Запущена инициализация System Agent DXE
6A	Запущена инициализация System Agent DXE SMM
6B - 6F	Инициализация System Agent DXE(только модуль System Agent)
70	Запущена инициализация PCH DXE
71	Запущена инициализация PCH DXE SMM
72	Инициализация устройств PCH
73 - 77	Инициализация PCH DXE (только модуль PCH)
78	Инициализация модуля ACPI
79	Инициализация CSM
7A - 7F	Зарезервировано для будущего использования кодами AMI DXE
90	Запуск фазы выбора загрузочного устройства Boot Device Selection (BDS)
91	Запущено подключение драйвера
92	Запущена инициализация PCI Bus
93	Инициализация контроллера PCI Bus Hot Plug Controller
94	PCI Bus Enumeration 32
95	PCI Bus Request Resources
96	PCI Bus Assign Resources
97	Подключение устройств Console Output
98	Подключение устройств Console Input
99	Инициализация Super IO
9A	Запущена инициализация USB
9B	USB Reset
9C	USB Detect
9D	USB Enable
9E -9F	Зарезервировано для будущих кодов AMI
A0	Запущена инициализация IDE
A1	IDE Reset
A2	IDE Detect
A3	IDE Enable
A4	Запущена инициализация SCSI
A5	SCSI Reset

A6	SCSI Detect
A7	SCSI Enable
A8	Проверка пароля Setup
A9	Запуск Setup
AB	Ожидание ввода Setup
AD	Событие Ready To Boot
AE	Событие Legacy Boot
AF	Событие Exit Boot Services
B0	Начало Runtime Set Virtual Address MAP
B1	Конец Runtime Set Virtual Address MAP
B2	Инициализация Legacy Option ROM
B3	System Reset
B4	PCI bus hot plug
B5	PCI bus hot plug
B6	Очистка NVRAM
B7	Сброс конфигурации (сброс настроек NVRAM)
B8 - BF	Зарезервировано для будущего использования кодами AMI

Коды ошибок DXE

D0	Ошибка инициализации процессора
D1	Ошибка инициализации System Agent
D2	Ошибка инициализации PCH
D3	Некоторые протоколы архитектуры недоступны
D4	Ошибка выделения ресурсов для PCI. Вне Ресурсов
D5	Нет свободного места для Legacy Option ROM
D6	Не найдены консольные устройства вывода
D7	Не найдены консольные устройства ввода
D8	Неверный пароль
D9	Ошибка загрузки Boot Option (ошибка загрузки образа)
DA	Ошибка Boot Option (ошибка запуска образа)
DB	Ошибка обновления
DC	Протокол сброса недоступен

Прогресс-коды S3 Resume

E0	Запущен S3 Resume [S3 Resume PPI вызывается DXE IPL]
E1	Выполнение S3 Boot Script
E2	Перезапуск видео
E3	OS S3 wake vector call
E4 - E7	Зарезервировано для будущих прогресс-кодов AMI

Коды ошибок S3 Resume

E8	Ошибка S3 Resume
E9	S3 Resume PPI не найден
EA	Ошибка загрузочного скрипта S3 Resume
EB	Ошибка выхода ОС из состояния S3
EC - EF	Зарезервировано для будущего использования кодами AMI

Прогресс-коды восстановления

F0	Состояние восстановления инициировано прошивкой (Автоматическое восстановление)
F1	Состояние восстановления инициировано пользователем (Принудительное восстановление)
F2	Запущен процесс восстановления
F3	Найден образ прошивки восстановления
F4	Загружен образ прошивки восстановления
F5 - F7	Зарезервировано для будущего использования прогресс-кодами AMI

Коды ошибок восстановления

F8	Восстановление PPI не доступно
F9	Капсула восстановления не найдена
FA	Неверная капсула восстановления
FB - FF	Reserved for future AMI error codes

Коды состояний ACPI

Следующие коды появляются после загрузки и перехода операционной системы в режимы ACPI.

01	Система входит в режим сна S1
02	Система входит в режим сна S2
03	Система входит в режим сна S3
04	Система входит в режим сна S4
05	Система входит в режим сна S5
10	Система выходит из состояния сна S1
20	Система выходит из состояния сна S2
30	Система выходит из состояния сна S3
40	Система выходит из состояния сна S4
AC	Система перешла в режим ACPI. Контроллер прерываний в режиме PIC.
AA	Система перешла в режим ACPI. Контроллер прерываний в режиме APIC.

Установка ОС, драйверов и утилит

Скачайте и обновите последние утилиты и драйверы с сайта: www.msi.com.

Установка Windows® 10

1. Включите компьютер.
2. Вставьте диск Windows® 10 в привод для оптических дисков или вставьте в разъем USB компьютера USB флэш-диск, содержащий установочный файл Windows® 10.
3. Нажмите кнопку **Restart** на корпусе компьютера.
4. Нажмите клавишу **F11** во время POST (Power-On Self Test) компьютера, чтобы войти в меню загрузки.
5. Выберите оптический привод / USB флэш-диск в меню загрузки.
6. Нажмите любую клавишу, когда на экране показывает сообщение **Press any key to boot from CD or DVD...**
7. Следуйте инструкциям на экране, чтобы установить Windows® 10.

Установка драйверов

1. Загрузите компьютер в Windows® 10.
2. Вставьте диск с драйверами MSI® Driver Disc в привод для оптических дисков.
3. Нажмите всплывающее окно **Select to choose what happens with this disc** и выберите **Run DVDSSetup.exe**, чтобы открыть окно установщика. Если функция автозапуска в Панели управления Windows выключена, вы также можете вручную запустить файл **DVDSSetup.exe** из корневой папки диска с драйверами MSI Driver Disc.
4. Окно установщика найдет и перечислит все необходимые драйверы во вкладке **Drivers/Software**.
5. Нажмите кнопку **Install** в правом нижнем углу окна установщика.
6. Начнется установка драйверов. После ее завершения будет предложено перезапустить систему.
7. Нажмите кнопку **OK** для завершения.
8. Перезапустите компьютер.

Установка утилит

Перед установкой утилиты необходимо выполнить установку драйверов.

1. Откройте окно установщика, как описано выше.
2. Нажмите вкладку **Utilities**.
3. Выберите необходимые для установки утилиты.
4. Нажмите кнопку **Install** в правом нижнем углу окна установщика.
5. Начнется установка программного обеспечения. После ее завершения будет предложено перезапустить систему.
6. Нажмите кнопку **OK** для завершения.
7. Перезапустите компьютер.

Настройка BIOS

Настройки по умолчанию обеспечивают оптимальную производительность и стабильность системы при нормальных условиях. Если вы недостаточно хорошо знакомы с BIOS, **всегда устанавливайте настройки по умолчанию**. Это позволит избежать возможных повреждений системы, а также проблем с загрузкой.

Внимание!

- С целью улучшения производительности, меню BIOS постоянно обновляется. В связи с этим данное описание может немного отличаться от последней версии BIOS и может использоваться в качестве справки. Для описания какого либо пункта меню настроек BIOS, вы можете обратиться к информационной панели **HELP**.
- Изображения в этой главе приведены исключительно в справочных целях и могут отличаться от фактических.

Вход в настройки BIOS

Нажмите клавишу **Delete**, когда появляется сообщение на экране **Press DEL key to enter Setup Menu, F11 to enter Boot Menu** во время загрузки.

Функциональные клавиши

- F1:** Общая справка
 - F2:** Добавить / Удалить избранный предмет
 - F3:** Вход в меню Избранное
 - F4:** Вход в меню технических параметров процессора
 - F5:** Вход в меню Memory-Z
 - F6:** Загрузить оптимизированные настройки по умолчанию
 - F7:** Переключить между расширенном режимом и режимом EZ
 - F8:** Загрузить профиль разгона
 - F9:** Сохранить профиль разгона
 - F10:** Сохранение изменений и перезагрузка*
 - F12:** Сделать скриншот и сохранить его на USB флэш-диск (только FAT / FAT32 формат).
- Ctrl+F:** Вход в страницу поиска

* При нажатии клавиши F10 появится информационное окно. Выберите Yes или No, чтобы подтвердить выбор.

Сброс BIOS

В некоторых ситуациях необходимо выполнить восстановление настроек BIOS до значений по умолчанию. Существует несколько способов сброса настроек:

- Войдите в BIOS и нажмите клавишу **F6** для загрузки оптимизированных значений по умолчанию.
- Замкните джампер **Clear CMOS** на материнской плате.



Внимание!

Убедитесь, что компьютер выключен перед очисткой данных CMOS. Для получения дополнительной информации о сбросе настроек BIOS, обратитесь к разделу “Джампер очистки данных CMOS”.

Обновление BIOS

Обновление BIOS при помощи M-FLASH

Подготовительные операции:

Пожалуйста, скачайте последнюю версию файла BIOS с сайта MSI, который соответствует вашей модели материнской платы. Сохраните файл BIOS на флэш-диске USB.

Обновление BIOS:

1. Вставьте флэш-диск USB, содержащий файл обновления в компьютер.
2. Для входа в режим обновления следуйте указаниям ниже.
 - Перезагрузите системы и нажмите клавиши **<Ctrl+F5>** во время процедуры POST, потом нажмите на кнопку **Yes** для перезагрузки системы.
 - Перезагрузите системы и нажмите клавишу **Del** во время процедуры POST для входа в настройки BIOS. Выберите вкладку **M-FLASH** и нажмите на кнопку **Yes** для перезагрузки системы.
3. Выберите файл BIOS для выполнения процесса обновления BIOS.
4. При появлении окна с предложением переключитесь на установленный модуль BIOS ROM с помощью переключателя **Multi-BIOS**, и нажмите кнопку **Yes**, чтобы начать восстановление **BIOS**.
5. После завершения процесса обновления, система перезагрузится автоматически.

Обновление BIOS при помощи MSI CREATOR CENTER

Перед обновлением:

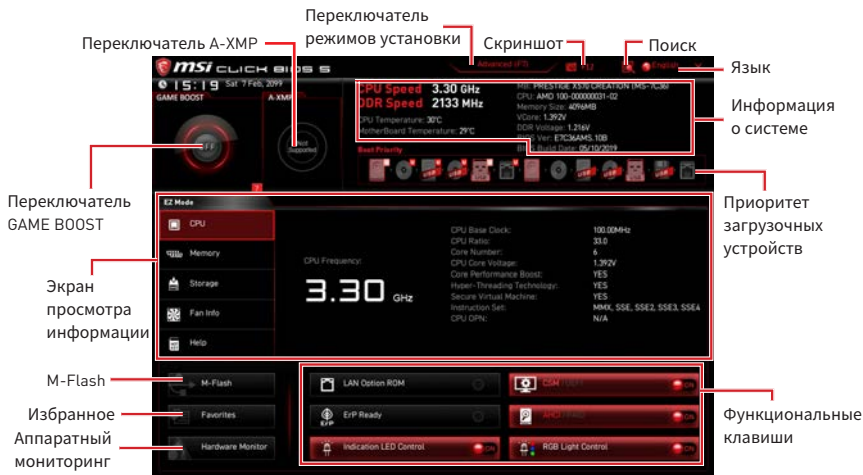
Убедитесь, что драйвер локальной сети установлен и есть подключение к сети Интернет.

Обновление BIOS:

1. Установите и запустите MSI CREATOR CENTER.
2. Выберите **BIOS Update**.
3. Нажмите на кнопку **Scan**.
4. Нажмите на значок **Download**, чтобы загрузить и установить последнюю версию файла BIOS.
5. Нажмите кнопку **Next** и выберите **In Windows mode**. И затем нажмите кнопку **Next** и **Start** для запуска обновления BIOS.
6. По завершению процесса обновления, система перезагрузится автоматически.

Режим EZ

Режим EZ предоставляет основную информацию о системе и позволяет выполнить основные операции по настройке. Для настройки расширенных функций BIOS, пожалуйста, войдите в Расширенный режим, путем нажатия **Переключатель режимов установки** или при помощи функциональной клавиши **F7**.



- **Переключатель GAME BOOST** - щелкните для переключения **GAME BOOST** в ОС.

⚠ Внимание!

*Для сохранения оптимальной производительности и стабильности системы после активации функции **GAME BOOST**, пожалуйста, не делайте никаких изменений в меню ОС и не загружайте настройки по умолчанию.*

- **Переключатель A-XMP (опционально)** - нажмите на внутренний значок, чтобы включить/ выключить A-XMP. Для выбора профиля памяти переключите внешний значок. Этот переключатель доступен только в случае, если установлен модуль памяти с поддержкой данной функции.
- **Переключатель режимов установки** - нажмите эту вкладку или клавишу **F7**, чтобы переключиться между режимами EZ и разгона.
- **Скриншот** - нажмите на эту вкладку или клавишу **F12**, чтобы сделать скриншот и сохранить его на флэш-диск USB (только FAT/ FAT32).
- **Поиск** - кликните по данной вкладке или нажмите клавиши **Ctrl + F** для перехода на страницу поиска. Это позволяет выполнить поиск по имени параметра BIOS. Для вывода списка пунктов BIOS, введите имя параметра. Наведите указатель мыши на пустое место и щелкните правой кнопкой мыши, для выхода со страницы поиска.

⚠ Внимание!

*На странице поиска доступны только функциональные клавиши **F6**, **F10** и **F12**.*

- **Язык** - позволяет выбрать язык интерфейса для настройки BIOS.

- **Информация о системе** - показывает частоту процессора/ памяти, температуру процессора/ материнской платы, информацию о материнской плате/процессоре, размер памяти, напряжение на процессоре/ памяти, версию BIOS и дату создания.

- **Приоритет загрузочных устройств** - вы можете переместить инонку устройства для изменения приоритета загрузки. Приоритет загрузки устанавливается слева направо, от высокого к низкому.

- **Экран просмотра информации** - нажмите на кнопку **CPU, Memory, Storage, Fan Info** и **Help** в левой части экрана для отображения соответствующей информации.

- **Функциональные клавиши** - включают или выключают **LAN Option ROM, CSM/UEFI, ErP Ready, AHCI, RAID, Indication LED Control** и **RGB Light Control**, при нажатии на соответствующую кнопку.

- **M-Flash** - нажмите на эту кнопку для отображения меню **M-Flash**. Пункт позволяет выбрать способ обновления BIOS при помощи USB флеш накопителя.

- **Аппаратный мониторинг** - нажмите на эту кнопку для отображения меню **аппаратного мониторинга**. Пункт позволяет вручную регулировать скорость вращения вентиляторов в процентах.

- **Избранное** - нажмите на данную кнопку или клавишу **F3** для входа в меню **Избранное**. Позволяет создать личное меню BIOS, где вы можете сохранить и получить доступ к вашим любимым и часто используемым настройкам BIOS.

- **Главная страница по умолчанию** - позволяет выбрать меню BIOS (например, параметры, ОС..., и т.д.) в качестве главной страницы BIOS.

- **Избранное1-5** - позволяет добавлять наиболее часто используемые / любимые пункты настройки BIOS на одну страницу.

- **Добавление пункта BIOS в страницу Избранное (избранное 1-5)**

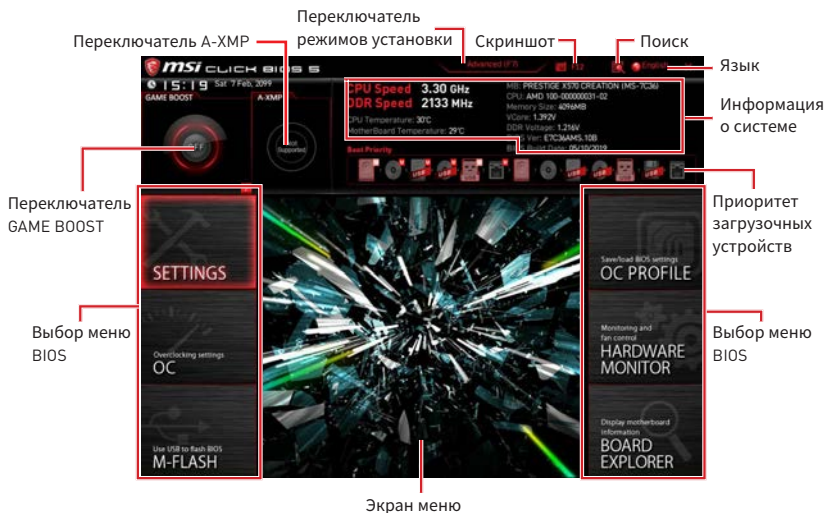
1. Выберите пункт BIOS в настройках ОС или меню ОС.
2. Щелкните правой кнопкой мыши или нажмите клавишу **F2**.
3. Выберите любимую страницу и нажмите на кнопку **OK**.

- **Удаление пункта BIOS из страницы Избранное**

1. Выберите пункт BIOS на странице Избранное (избранное 1-5).
2. Щелкните правой кнопкой мыши или нажмите клавишу **F2**.
3. Выберите **Delete** и нажмите на кнопку **OK**.

Режим разгона

Нажмите **переключатель режимов установки** или функциональную клавишу **F7** для переключения между режимами EZ и разгона в настройках BIOS.



• **Выбор меню BIOS** - доступны следующие опции:

- **SETTINGS** - в данном меню представлены настройки чипсета и загрузочных устройств.
- **OC** - позволяет регулировать частоту и напряжение. Увеличение частоты приводит к увеличению производительности.
- **M-FLASH** - позволяет выбрать метод обновления BIOS с USB флэш-диска.
- **OC PROFILE** - позволяет управлять профилями разгона.
- **HARDWARE MONITOR** - позволяет установить скорость работы вентиляторов и мониторинг напряжений системы.
- **BOARD EXPLORER** - предоставляет информации об установленных устройствах на материнской плате.

• **Экран меню** - отображаются настройки BIOS и дополнительная информация.

Меню OC

Данное меню предназначено для опытных пользователей и предоставляет возможности для «разгона» системы.



Внимание!

- Разгонять ПК вручную рекомендуется только опытным пользователям.
- Производитель не гарантирует успешность разгона. Неправильное выполнение разгона может привести к аннулированию гарантии и серьезному повреждению оборудования.
- Неопытным пользователям рекомендуется использовать функцию **GAME BOOST**.
- Пункты BIOS в меню OC будут меняться в зависимости от модели процессора.

► **OC Explore Mode [Normal]**

Включение или выключение отображения нормального или экспертного режима настроек разгона.

[Normal] Стандартные параметры разгона в BIOS.

[Expert] Расширенные параметры разгона в BIOS для опытных пользователей.

Примечание: Символом * отмечаются параметры разгона в режиме Expert.

► **CPU Ratio [Auto]**

Задание множителя процессора для установки его тактовой частоты. Этот пункт появляется при установке процессора с поддержкой данной функции.

► **Advanced CPU Configuration**

Нажмите **Enter** для входа в подменю. Пользователь может настроить тайминги для мощности /тока процессора. Система может работать нестабильно или не загружаться после изменения таймингов памяти. Если система работает нестабильно, пожалуйста, очистите данные CMOS и восстановите настройки по умолчанию.

► **A-XMP [Disabled]**

Включите A-XMP или выберите профиль модуля памяти для разгона. Данный пункт доступен, когда установлен модуль памяти, процессора и материнской платы с поддержкой данной функции.

► DRAM Frequency [Auto]

Установка частоты памяти DRAM. Обратите внимание, что возможность успешного разгона не гарантируется.

► Memory Try It! [Disabled]

Позволяет улучшить совместимость памяти и производительность, путем выбора наиболее оптимального пресета.

► Memory Retry Count [5]

Устанавливает количество попыток разгона памяти. При неудачном разгоне, установка значения данного пункта в [5], позволяет перезагрузить систему 5 раз в той же разогнанной конфигурации. При неудачной попытке разгона, параметры системы будут восстановлены по умолчанию.

► Advanced DRAM Configuration (опционально)

Нажмите **Enter** для входа в подменю. Пользователь может настроить тайминги для каждого канала памяти. Система может работать нестабильно или не загружаться после изменения таймингов памяти. Если система работает нестабильно, пожалуйста, очистите данные CMOS и восстановите настройки по умолчанию. (см. переключатель очистки данных CMOS/раздел кнопки для очистки данных CMOS и вход в BIOS, чтобы загрузить настройки по умолчанию.)

► DigitALL Power

Нажмите **Enter** для входа в подменю. Функция управляет цепями питания, связанными с PWM процессора.

► CPU Voltages control [Auto]

Эти параметры позволяют вам задать напряжения, связанные с процессором. При установке в **Auto**, BIOS установит напряжения автоматически. Вы также можете настроить напряжения вручную.

► DRAM Voltages control [Auto]

Эти параметры позволяют вам задать напряжения, связанные с памятью. При установке в **Auto**, BIOS установит напряжения автоматически. Вы также можете настроить напряжения вручную.

► Memory Changed Detect [Enabled]*

Включение или выключение предупреждающих сообщений при загрузке системы, когда процессор или память были заменены.

[Enabled] Система выдает предупреждение во время загрузки. Требуется загрузить настройки по умолчанию для новых устройств.

[Disabled] Выключение этой функции и сохранение текущих настроек BIOS.

► CPU Specifications

Нажмите **Enter** для входа в подменю. В этом подменю представлена информация об установленном процессоре. Для просмотра этой информации в любое время нажмите на кнопку [F4]. Это значение нельзя изменять.

► CPU Technology Support

Нажмите **Enter** для входа в подменю. В данном подменю отображаются основные функции, поддерживаемые установленным процессором. Это значение нельзя изменять.

► MEMORY-Z

Нажмите **Enter** для входа в подменю. В подменю выделены все параметры и тайминги установленной памяти. Для просмотра этой информации в любое время нажмите на кнопку [F5].

► DIMMx Memory SPD

Нажмите **Enter** для входа в подменю. Это подменю показывает информацию об установленной памяти. Это значение нельзя изменять.

► CPU Features

Нажмите **Enter** для входа в подменю.

► Simultaneous Multi-Threading [Enabled] (опционально)

Включение или выключение AMD Simultaneous Multi-Threading. Этот пункт появляется при установке процессора с поддержкой данной функции.

► Global C-state Control [Enabled] (опционально)

Включение или выключение IO based C-state generation и DF C-states.

► Opccache Control [Auto] (опционально)

Включение или выключение Opccache. Opccache сохраняет последние команды декодирования для сокращения времени исполнения повторной команды. Включение данной функции может увеличить производительность процессора и немного снизить энергопотребление.

► IOMMU Mode (опционально)

Включение или выключение IOMMU (I/O Memory Management Unit) для I/O Virtualization.

► Spread Spectrum (опционально)

Данная функция уменьшает EMI (электромагнитные помехи), вызванные колебаниями импульсного генератора тактовых сигналов.

[Enabled] Включение этой функции для уменьшения электромагнитных помех.

[Disabled] Увеличивает возможности разгона базовой тактовой частоты процессора.



Внимание!

- Если проблемы с помехами отсутствуют, оставьте значение в [Disabled] для лучшей стабильности и производительности. Однако, если возникают электромагнитные помехи, включите параметр Spread Spectrum для их уменьшения.
- Чем больше значение Spread Spectrum, тем ниже будет уровень электромагнитных помех, но система станет менее стабильной. Для выбора подходящего значения Spread Spectrum, сверьтесь со значениями уровней электромагнитных помех, установленных законодательством.
- Не забудьте запретить использование функции Spread Spectrum, если вы «разгоняете» системную плату. Это необходимо, так как даже небольшой дрейбег сигнала тактового генератора может привести к отказу разогнанного процессора.

► **AMD Cool 'n' Quiet [Enabled]**

Технология Cool 'n' Quiet позволяет эффективно динамически изменять частоту CPU и энергопотребление системы.

► **SVM Mode [Disabled]**

Включение или выключение AMD SVM (Secure Virtual Machine) Mode.

► **Power Supply Idle Control [Auto] (опционально)**

Позволяет выбрать режим энергосбережения для процессора при простое системы. При установке в **Auto**, BIOS автоматически настроит этот параметр.

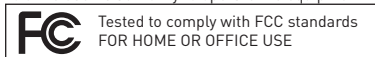
Regulatory Notices

FCC Compliance Statement

Note: This equipment has been tested and found to comply with the limits for a Class B digital device, pursuant to part 15 of the FCC Rules. These limits are designed to provide reasonable protection against harmful interference in a residential installation. This equipment generates, uses and can radiate radio frequency energy and, if not installed and used in accordance with the instructions, may cause harmful interference to radio communications. However, there is no guarantee that interference will not occur in a particular installation. If this equipment does cause harmful interference to radio or television reception, which can be determined by turning the equipment off and on, the user is encouraged to try to correct the interference by one or more of the following measures:

- Reorient or relocate the receiving antenna.
- Increase the separation between the equipment and receiver.
- Connect the equipment into an outlet on a circuit different from that to which the receiver is connected.
- Consult the dealer or an experienced radio/TV technician for help.

Caution: Changes or modifications not expressly approved by the party responsible for compliance could void the user's authority to operate the equipment.



This device complies with part 15 of the FCC Rules. Operation is subject to the following two conditions: (1) This device may not cause harmful interference, and (2) this device must accept any interference received, including interference that may cause undesired operation.

CE Conformity

CE Products bearing the CE marking comply with one or more of the following EU Directives as may be applicable:
RED 2014/53/EU; Low Voltage Directive 2014/35/EU; EMC Directive 2014/30/EU; RoHS Directive 2011/65/EU. Compliance with these directives is assessed using applicable European Harmonized Standards. The point of contact for regulatory matters is MSI, MSI-NL Eindhoven 5706 5692 ER Son.

B급 기기 (가정용 방송통신기자재)

K 이 기기는 가정용(B급) 전자파적합기기로서 주로 가정에서 사용하는 것을 목적으로 하며, 모든 지역에서 사용할 수 있습니다.

クラスB情報技術装置

VCI この装置は、クラスB情報技術装置です。この装置は、家庭環境で使用することを目的としていますが、この装置がラジオやテレビジョン受信機に近接して使用されると、受信障害を引き起こすことがあります。取扱説明書に従って正しい取り扱いをして下さい

VCCI-B

C-Tick Compliance



Battery Information

European Union:



Batteries, battery packs, and accumulators should not be disposed of as unsorted household waste. Please use the public collection system to return, recycle, or treat them in compliance with the local regulations.

Taiwan:



廢電池請回收
For better environmental protection, waste batteries should be collected separately for recycling or special disposal.

California, USA:



The button cell battery may contain perchlorate material and requires special handling when recycled or disposed of in California.

For further information please visit:

<http://www.dtsc.ca.gov/hazardouswaste/perchlorate/>

CAUTION: There is a risk of explosion, if battery is incorrectly replaced.

Replace only with the same or equivalent type recommended by the manufacturer.

Chemical Substances Information

In compliance with chemical substances regulations, such as the EU REACH Regulation (Regulation EC No. 1907/2006 of the European Parliament and the Council), MSI provides the information of chemical substances in products at:
http://www.msi.com/html/popup/csr/evmtprrt_pcm.html

Environmental Policy

- The product has been designed to enable proper reuse of parts and recycling and should not be thrown away at its end of life.
- Users should contact the local authorized point of collection for recycling and disposing of their end-of-life products.
- Visit the MSI website and locate a nearby distributor for further recycling information.
- Users may also reach us at gpcontdev@msi.com for information regarding proper Disposal, Take-back, Recycling, and Disassembly of MSI products.



WEEE (Waste Electrical and Electronic Equipment) Statement

ENGLISH

To protect the global environment and as an environmentalist, MSI must remind you that...

Under the European Union ("EU") Directive on Waste Electrical and Electronic Equipment, Directive 2002/96/EC, which takes effect on August 13, 2005, products of "electrical and electronic equipment" cannot



be discarded as municipal wastes anymore, and manufacturers of covered electronic equipment will be obligated to take back such products at the end of their useful life. MSI will comply with the product take back requirements at the end of life of MSI-branded products that are sold into the EU. You can return these products to local collection points.

DEUTSCH

Hinweis von MSI zur Erhaltung und Schutz unserer Umwelt

Gemäß der Richtlinie 2002/96/EG über Elektro- und Elektronik-Altgeräte dürfen Elektro- und Elektronik-Altgeräte nicht mehr als kommunale Abfälle entsorgt werden. MSI hat europaweit verschiedene Sammel- und Recyclingunternehmen beauftragt, die in die Europäische Union in Verkehr gebrachten Produkte, am Ende seines Lebenszyklus zurückzunehmen. Bitte entsorgen Sie dieses Produkt zum gegebenen Zeitpunkt ausschließlich an einer lokalen Altgerätesammelstelle in Ihrer Nähe.

FRANÇAIS

En tant qu'écologiste et afin de protéger l'environnement, MSI tient à rappeler ceci... Au sujet de la directive européenne (EU) relative aux déchets des équipements électriques et électroniques, directive 2002/96/EC, prenant effet le 13 août 2005, que les produits électriques et électroniques ne peuvent être déposés dans les décharges ou tout simplement mis à la poubelle. Les fabricants de ces équipements seront obligés de récupérer certains produits en fin de vie. MSI prendra en compte cette exigence relative au retour des produits en fin de vie au sein de la communauté européenne. Par conséquent vous pouvez retourner localement ces matériels dans les points de collecte.

РУССКИЙ

Компания MSI предпринимает активные действия по защите окружающей среды, поэтому напоминаем вам, что....

В соответствии с директивой Европейского Союза (ЕС) по предотвращению загрязнения окружающей среды использованным электрическим и электронным оборудованием (директива WEEE 2002/96/EC), вступающей в силу 13 августа 2005 года, изделия, относящиеся к электрическому и электронному оборудованию, не могут рассматриваться как бытовой мусор, поэтому производители вышеперечисленного электронного оборудования обязаны принимать его для переработки по окончании срока службы. MSI обязуется соблюдать требования по приему продукции, проданной под маркой MSI на территории ЕС, в переработку по окончании срока службы. Вы можете вернуть эти изделия в специализированные пункты приема.

ESPAÑOL

MSI como empresa comprometida con la protección del medio ambiente, recomienda: Bajo la directiva 2002/96/EC de la Unión Europea en materia de desechos y/o equipos electrónicos, con fecha de rigor desde el 13 de agosto de 2005, los productos clasificados como "eléctricos y equipos electrónicos" no pueden ser depositados en los contenedores habituales de su municipio, los fabricantes de equipos electrónicos, están obligados a hacerse cargo de dichos productos al término de su período de vida. MSI estará comprometido con los términos de recogida de sus productos vendidos en

la Unión Europea al final de su periodo de vida. Usted debe depositar estos productos en el punto limpio establecido por el ayuntamiento de su localidad o entregar a una empresa autorizada para la recogida de estos residuos.

NEDERLANDS

Om het milieu te beschermen, wil MSI u eraan herinneren dat....

De richtlijn van de Europese Unie (EU) met betrekking tot Verwijling van Electricische en Electronische producten (2002/96/EC), die op 13 Augustus 2005 in zal gaan kunnen niet meer beschouwd worden als vervuiling. Fabrikanten van dit soort producten worden verplicht om producten retour te nemen aan het eind van hun levenscyclus. MSI zal overeenkomstig de richtlijn handelen voor de producten die de merknaam MSI dragen en verkocht zijn in de EU. Deze goederen kunnen geretourneerd worden op lokale inzamelingspunten.

SRPSKI

Da bi zaštitili prirodnu sredinu, i kao preduzeće koje vodi računa o okolini i prirodnoj sredini, MSI mora da vas podesti da...

Po Direktivi Evropske unije ("UE") o odbačenoj elektronskoj i električnoj opremi, Direktiva 2002/96/EC, koja stupa na snagu od 13. Avgusta 2005, proizvođači koji spadaju pod "elektronsku i električnu opremu" ne mogu više biti odbačeni kao običan otpad i proizvođači ove opreme biće prinuđeni da uzmu natrag ove proizvode na kraju njihovog uobičajenog veka trajanja. MSI će poštovati zahtev o preuzimanju ovakvih proizvoda kojima je istekao vek trajanja, koji imaju MSI oznaku i koji su prodati u EU. Ove proizvode možete vratiti na lokalnim mestima za prikupljanje.

POLSKI

Aby chronić nasze środowisko naturalne oraz jako firma dbająca o ekologię, MSI przypomina, że... Zgodnie z Dyrektywą Unii Europejskiej ("UE") dotyczącą odpadów produktów elektrycznych i elektronicznych (Dyrektywa 2002/96/EC), która wchodzi w życie 13 sierpnia 2005, tzw. "produkty oraz wyposażenie elektryczne i elektroniczne" nie mogą być traktowane jako śmieci komunalne, tak więc producenci tych produktów będą zobowiązani do odbierania ich w momencie gdy produkt jest wycofywany z użycia. MSI wypełni wymagania UE, przyjmując produkty (sprzedawane na terenie Unii Europejskiej) wycofywane z użycia. Produkty MSI będzie można zwracać w wyznaczonych punktach zbiorczych.

TÜRKÇE

Çevreci özelliğiyle bilinen MSI dünyada çevreyi korumak için titrlatır: Avrupa Birliği (AB) Kararnamesi Elektrik ve Elektronik Malzeme Atığı, 2002/96/EC Kararnamesi altında 13 Ağustos 2005 tarihinden itibaren geçerli olmak üzere, elektrikli ve elektronik malzemeler diğer atıklar gibi çöpe atılmayacak ve bu elektronik cihazların üreticileri, cihazların kullanım süreleri bittikten sonra ürünleri geri toplamakla yükümlü olacaktır. Avrupa Birliği'ne satılan MSI markalı ürünlerin kullanım süreleri bittiğinde MSI ürünlerin geri alınması isteği ile işbirliği içerisinde olacaktır. Ürünlerinizi yerel toplama noktalarına bırakabilirsiniz.

ČESKY

Záleží nám na ochraně životního prostředí - společnost MSI upozorňuje... Podle směrnice Evropské unie ("UE") o likvidaci elektrických a elektronických výrobků 2002/96/

EC platné od 13. srpna 2005 je zakázáno likvidovat "elektrické a elektronické výrobky" v běžném komunálním odpadu a výrobci elektronických výrobků, na které se tato směrnice vztahuje, budou povinni odebírat takové výrobky zpět po skončení jejich životnosti. Společnost MSI splní požadavky na odebírání výrobků značky MSI, prodávaných v zemích EU, po skončení jejich životnosti. Tyto výrobky můžete odevzdat v místních sběrnách.

MAGYAR

Annak érdekében, hogy környezetünket megvédjük, illetve környezetvédeként fellépve az MSI emlékezteti Önt, hogy ...

Az Európai Unió („EU”) 2005. augusztus 13-án hatályba lépett, az elektromos és elektronikus berendezések hulladékaikról szóló 2002/96/EK irányelve szerint az elektromos és elektronikus berendezések többé nem kezelhetők lakossági hulladékként, és az ilyen elektronikus berendezések gyártói kötelesek válnak az ilyen termékek visszavételére azok hasznos élettartama végén. Az MSI betartja a termék visszavételével kapcsolatos követelményeket az MSI márkánév alatt az EU-n belül értékesített termékek esetében, azok élettartamának végén. Az ilyen termékeket a legközelebbi gyűjtőhelyre viheti.

ITALIANO

Per proteggere l'ambiente, MSI, da sempre amica della natura, ti ricorda che...

In base alla Direttiva dell'Unione Europea (EU) sullo Smtaltimento dei Materiali Elettrici ed Elettronici, Direttiva 2002/96/EC in vigore dal 13 Agosto 2005, prodotti appartenenti alla categoria dei Materiali Elettrici ed Elettronici non possono più essere eliminati come rifiuti municipali: i produttori di detti materiali saranno obbligati a ritirare ogni prodotto alla fine del suo ciclo di vita. MSI si adegnerà a tale Direttiva ritirando tutti i prodotti marchiati MSI che sono stati venduti all'interno dell'Unione Europea alla fine del loro ciclo di vita. È possibile portare i prodotti nel più vicino punto di raccolta

日本JIS C 0950材質宣言

日本工業規格JIS C 0950により、2006年7月1日以降に販売される特定分野の電気および電子機器について、製造者による含有物質の表示が義務付けられます。

http://www.msi.com/html/popup/csr/cemm_jp.html
http://tw.msi.com/html/popup/csr_tw/cemm_jp.html

India RoHS

This product complies with the "India E-waste (Management and Handling) Rule 2011" and prohibits use of lead, mercury, hexavalent chromium, polybrominated biphenyls or polybrominated diphenyl ethers in concentrations exceeding 0.1 weight % and 0.01 weight % for cadmium, except for the exemptions set in Schedule 2 of the Rule.

Türkiye EEE yönetmeliği

Türkiye Cumhuriyeti: EEE Yönetmeliğine Uygundur

Україна обмеження на наявність небезпечних речовин

Обладнання відповідає вимогам Технічного регламенту щодо обмеження Використання деяких небезпечних речовин в електричному та електронному обладнанні, затвердженого постановою Кабінету Міністрів України від 3 грудня 2008 № 1057.

Việt Nam RoHS

Kể từ ngày 01/12/2012, tất cả các sản phẩm do công ty MSI sản xuất tuân thủ Thông tư số 30/2011/TT-BCT quy định tạm thời về giới hạn hàm lượng cho phép của một số hóa chất độc hại có trong các sản phẩm điện, điện tử"

Wireless Radio Use

This device is restricted to indoor use when operating in the 2.4GHz, 5GHz frequency band.

Cet appareil doit être utilisé à l'intérieur.

당해 무선설비는 운용중 전파혼신 가능성이 있음.

この製品は、周波数帯域 2.4GHz, 5GHz で動作しているときは、屋内においてのみ使用可能です。

NCC無線設備警告聲明


工作頻率 2.4GHz, 5GHz 該频段限於室內使用。經型式認證合格之低功率射頻電機，非經許可，公司、商號或使用者均不得擅自變更頻率、加大功率或變更原設計之特性及功能。

低功率射頻電機之使用不得影響飛航安全及干擾合法通信；經發現有干擾現象時，應立即停用，並改善至無干擾時方得繼續使用。前項合法通信，指依電信法規定作業之無線電通信。低功率射頻電機須忍受合法通信或工業、科學及醫療用電波輻射性電機設備之干擾。

Products with radio functionality (EMF)

This product incorporates a radio transmitting and receiving device. For computers in normal use, a separation distance of 20 cm ensures that radio frequency exposure levels comply with EU requirements. Products designed to be operated at closer proximities, such as tablet computers, comply with applicable EU requirements in typical operating positions. Products can be operated without maintaining a separation distance unless otherwise indicated in instructions specific to the product.


Restrictions for products with radio functionality

 CAUTION: IEEE 802.11x wireless LAN with 5.15–5.35 GHz frequency band is restricted for indoor use only in all European Union member states, EFTA (Iceland, Norway, Liechtenstein), and most other European countries (e.g., Switzerland, Turkey, Republic of Serbia). Using this WLAN application outdoors might lead to interference issues with existing radio services.

Radio frequency bands and maximum power levels

Features	:802.11 a/b/g/n/ac, BT
Frequency Range	:2.4GHz, 5GHz
Modulation	:FHSS, DSSS, OFDM
Power Output	:10, 20, 23
Channel Band Width	:1, 5, 20, 40, 80MHz

产品中有害物质的名称及含量

部件名称	有害物质					
	铅 (Pb)	汞 (Hg)	镉 (Cd)	六价铬 (Cr(VI))	多溴联苯 (PBB)	多溴二苯醚 (PBDE)
印刷电路板组件*	×	○	○	○	○	○
电池** 	×	○	○	○	○	○
外部信号连接头	×	○	○	○	○	○
线材	×	○	○	○	○	○

本表格依据 SJ/T 11364 的规定编制。

○：表示该有害物质在该部件所有均质材料中的含量均在 GB/T 26572 规定的限量要求以下。

×：表示该有害物质至少在该部件的某一均质材料中的含量超出 GB/T 26572 规定的限量要求，但所有部件都符合欧盟 RoHS 要求。

* 印刷电路板组件：包括印刷电路板及其构成的零部件。

** 电池本体上如有环保使用期限标识，以本体标识为主。

■ 上述有毒有害物质或元素清单会依型号之部件差异而有所增减。

■ 产品部件本体上如有环保使用期限标识，以本体标识为主。

限用物質含有情況標示聲明書

單元	限用物質及其化學符號					
	鉛 (Pb)	汞 (Hg)	鎘 (Cd)	六價鉻 (Cr ^{VI})	多溴聯苯 (PBB)	多溴二苯醚 (PBDE)
電路板	○	○	○	○	○	○
電子元件	—	○	○	○	○	○
金屬機構件	—	○	○	○	○	○
塑膠機構件	○	○	○	○	○	○

備考 1. “超出 0.1 wt %” 及 “超出 0.01 wt %” 係指限用物質之百分比含量超出百分比含量基準值。

備考 2. “○” 係指該項限用物質之百分比含量未超出百分比含量基準值。

備考 3. “—” 係指該項限用物質為排除項目。

Copyright

msi Micro-Star Int'l Co., Ltd.
Copyright © 2019 All rights reserved.

The MSI logo used is a registered trademark of Micro-Star Int'l Co., Ltd. All other marks and names mentioned may be trademarks of their respective owners. No warranty as to accuracy or completeness is expressed or implied. MSI reserves the right to make changes to this document without prior notice.

Technical Support

If a problem arises with your system and no solution can be obtained from the user guide, please contact your place of purchase or local distributor. Alternatively, please try the following help resources for further guidance.

- Visit the MSI website for technical guide, BIOS updates, driver updates, and other information: <http://www.msi.com>
- Register your product at: <http://register.msi.com>

Revision History

Version 1.0, 2019/05, First release
Version 1.1, 2019/07, Add XPANDER-Z