

# beko



## **Chest Freezer**

Instruction of use

## **Congelator tip ladă**

Instrucțiuni de utilizare

## **Horizontalni Zamrzivač**

Uputstvo za upotrebu

## **Škrinja Zamrzivač**

Uputstvo za upotrebu

## **Сандак Замрзнувач**

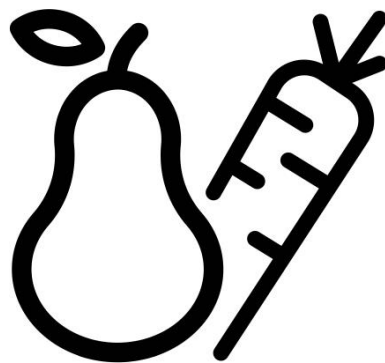
Упатство за употреба

## **Arka Ngrirese**

Udhëzimi i përdorimit

## **Морозильна Скриня**

Інструкція з експлуатації



**HSA40520F**

EN-RO-SR-BiH-MK-AL-UA





### **WARNING!**

In order to ensure a normal operation of your refrigerating appliance, which uses a completely environmentally friendly refrigerant the R600a (flammable only under certain conditions) you must observe the following rules:

- Do not hinder the free circulation of the air around the appliance.
- Do not use mechanic devices in order to accelerate the defrosting, others than the ones recommended by the manufacturer.
- Do not destroy the refrigerating circuit.
- Do not use electric appliances inside the food beeping compartment, others than those that might have been recommended by the manufacturer.

### **AVERTIZARE!**

Pentru a asigura o funcționare normală aparatului dvs. care utilizează un agent frigorific complet ecologic, R600a (inflamabil numai în anumite condiții), este necesar să respectați următoarele reguli:

- Nu împiedicați circulația liberă a aerului în jurul aparatului.
- Nu utilizați dispozitive mecanice pentru a accelera procesul de dezghețare, altele decât cele recomandate de către fabricant.
- Nu distrugeți circuitul frigorific.
- Nu utilizați aparate electrice în interiorul compartimentului pentru stocarea alimentelor, în afara celor, eventual, recomandate de către fabricant.

### **UPOZORENJE!**

Da biste osigurali normalan rad Vašeg frižidera, koji koristi sredstvo za hlađenje R600a koje je potpuno bezopasno po okolinu (zapaljiv samo u određenim uslovima), morate da se držite sledećih pravila:

- Ne sprečavajte slobodnu cirkulaciju vazduha oko uređaja.
- Ne koristite mehaničke aparate da biste ubrzali odmrzavanje, osim onih koje je preporučio proizvođač.
- Ne uništavajte sklop za hlađenje.
- Ne koristite električne aparate u odeljku za držanje hrane, osim onih koje je preporučio proizvođač.

### **UPOZORENJE!**

Kako bi se osigurao normalan rad vašeg zamrzivača koji koristi kompletno ekološki prihvatljivo rashladno sredstvo R600a (zapaljivo samo pod određenim uvjetima), trebete se pridržavati slijedećih pravila:

- Ne ometati slobodnu cirkulaciju zraka oko zamrzivača.
- Ne koristiti mehanička sredstva za ubrzavanje odleđivanja, koja nije preporučio proizvođač.
- Paziti da se ne ošteti krug rashladnog sredstva.
- Unutar prostora zamrzivača za spremanje namirnica ne koristiti električne uređaje koje nije preporučio proizvođač.



## **ПРЕДУПРЕДУВАЊЕ!**

Со цел да се обезбеди нормално функционирање на уредот, кој користи целосно еколошки разладувач (фреон) R600a (запалив само под одредени услови), морате да се придржувате кон следните правила:

- Немојте да ја попречувате слободната циркулација на воздухот околу уредот.
- Немојте да употребувате механички предмети за да го забрзате процесот на одмрзнување. Користете ги само оние кои се препорачани од производителот.
- Немојте да го оштетувате разладното коло.
- Не употребувајте електрични апарати внатре во уредот. Користете ги само оние кои се препорачани од производителот.

## **KUJDES!**

Për të siguruar një përdorim normal të frigoriferit tuaj, që përdor një mjet ftohës plotësisht ekologjik, R600a (i ndezshëm vetëm në kushte të veçanta), duhet të ndiqni rregullat vijuese:

- Mos pengoni qarkullimin e lirë të ajrit përreth aparatit.
- Mos përdorni sende mekanike që nuk janë rekomanduar nga prodhuesi, për ta përshpejtuar shkrijen e akullit.
- Mos e prishni qarkun ftohës.
- Mos përdorni aparate elektrike të parekomanduara nga prodhuesi brenda dhomëzës për mbajtjen e ushqimeve.

## **УВАГА!**

Для того, щоб забезпечити нормальну роботу Вашого холодильника, в якому використовується охолоджуючий реагент R600a, абсолютно нешкідливий для навколишнього середовища (займається лише за певних умов), Вам Необхідно дотримуватися наступних правил.

- Не створюйте перепон для вільної циркуляції повітря навколо холодильника.
- Не користуйтеся жодними механічними пристроями та інструментами для видалення льоду під час розморожування холодильника, окрім тих, що рекомендовані виробником.
- Не допускайте пошкодження охолоджуючого контура.
- Не встановлюйте всередину холодильного відділення, де зберігаються продукти, жодних електричних пристроїв, окрім тих, що рекомендовані виробником.

**EN****Content**

Advice for recycling of the old appliance /1  
Packing Recycling /2  
Transport instructions /2  
Warnings and special advice /2  
Setting up /3  
Electric connection /3  
Switching off /3  
Appliance description /3  
Freezer operation /4  
Advice for food conservation /4  
Defrosting of the appliance /5  
Cleaning of the appliance /5  
Replacing the interior light bulb /6  
Defects finding guide /6

**RO****Cuprins**

Sfaturi pentru reciclarea vechiului aparat /8  
Reciclarea ambalajului /8  
Instrucțiuni de transport /8  
Precauții și recomandări generale /9  
Modul de instalare a aparatului /9  
Conectarea la rețeaua electrică /10  
Punerea în funcțiune /11  
Prezentarea aparatului /11  
Funcționarea aparatului /11  
Sfaturi practice pentru eficiență maximă /12  
Sfaturi practice privind reducerea  
consumului de energie electrică /12  
Întreținerea și curățarea aparatului /13  
Înlocuirea becului interior /14  
Ghidul de căutare a defectăunilor /14  
Informații în legătură cu zgomotele și  
vibrațiile /15  
Informații privind reciclarea deșeurilor /15

**SR****Sadržaj**

Čestitamo Vam na izboru! /16  
Reciklaža pakovanja /17  
Uputstva vezana za transport /17  
Upozorenje i opšti saveti /17  
Postavljanje /18  
Električno priključivanje /18  
Isključivanje /18  
Rad /18  
Opis aparata /19  
Rad zamrzivača /19  
Saveti za čuvanje hrane /19  
Odmrzavanje aparata /20  
Čišćenje unutrašnjosti /20  
Čišćenje spoljašnjeg dela /20  
Vodič za pronalaženje kvarova /20  
Promena lampe za osvetljenje /21

**BiH****Sadržaj**

Savjet za recikliranje starog uređaja /22  
Recikliranje pakovanja /23  
Upute vezane za transport /23  
Upozorenja i poseban savjet /23  
Postavljanje /24  
Električne veze /24  
Isključivanje /24  
Opis aparata /25  
Rad zamrzivača /25  
Savjet za konzerviranje hrane /25  
Odmrzavanje aparata /26  
Čišćenje aparata /26  
Mijenjanje lampice za osvetljenje /27  
Vodič za otkrivanje kvarova /27

**МК****Содржина**

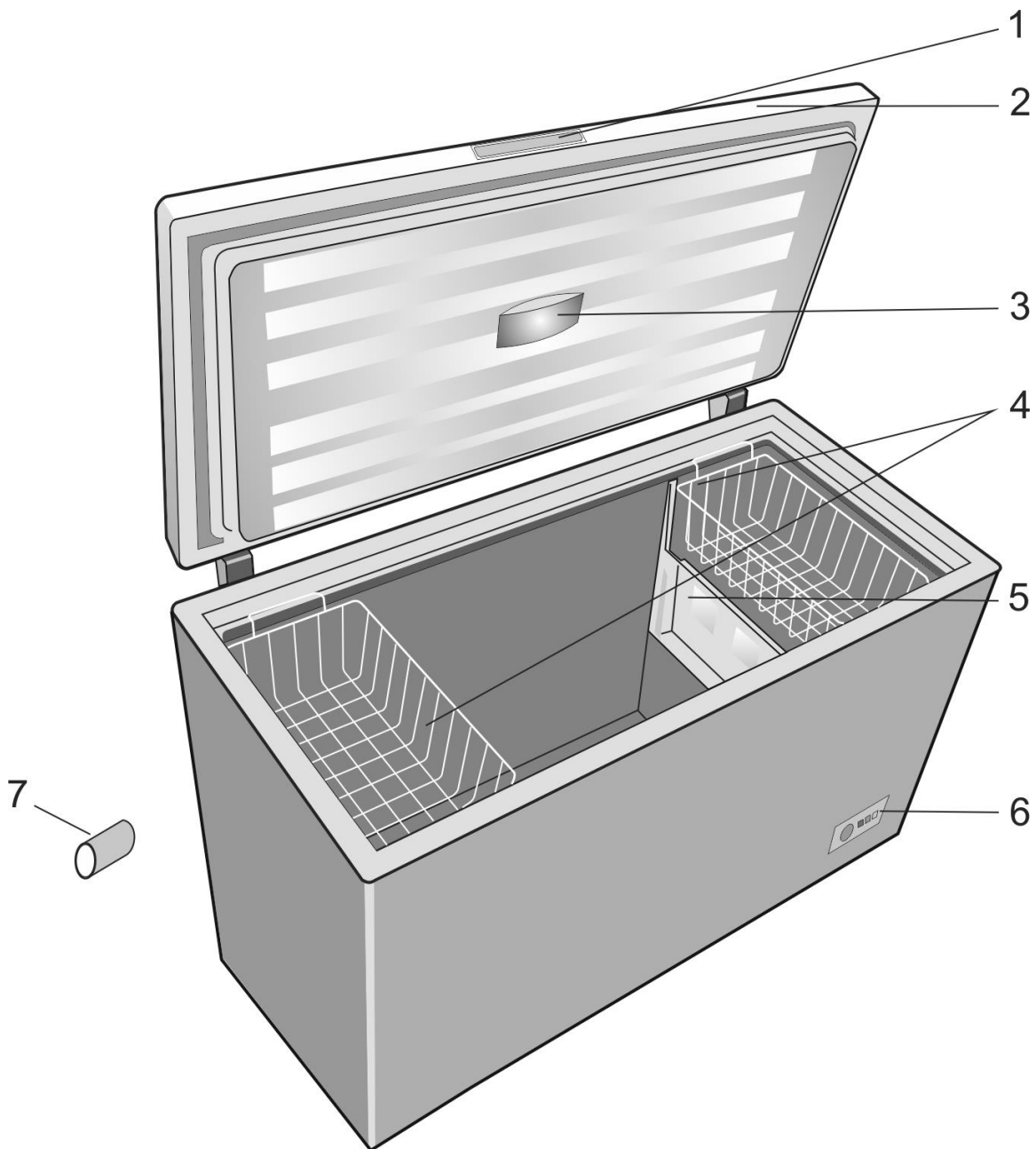
Совети за рециклажа на стариот апарат /28  
Рециклажа на пакувањето /29  
Инструкции за транспорт /29  
Предупредувања и посебни совети /29  
Подесување /30  
Електрично поврзување /30  
Исклучување на уредот /30  
Опис на апаратот /31  
Операирање на замрзнувачот /31  
Совети за чување храна /31  
Одмрзнување на уредот /32  
Чистење на уредот /32  
Водич за дткривање на дефекти /33  
Менување на светилката за Осветлување /33

**AL****Përmbajtje**

Këshilla për riciklimin e aparatit të vjetër /34  
Riciklimi i ambalazhit /35  
Udhëzime transporti /35  
Paralajmërime dhe këshilla të veçanta /35  
Përgatitja /36  
Lidhja elektrike /36  
Fikja /36  
Përshkrimi i aparatit /37  
Përdorimi i ngrirësit /37  
Këshilla për konservimin e ushqimeve /37  
Shkrirja e akullit të aparatit /38  
Pastrimi i aparatit /38  
Udhëzues për gjetje defektesh /39  
Ndërrimi i llambës së ndriçimit /39

**UA****Зміст**

Рекомендації щодо утилізації вашого старого пристрою /40  
Утилізація упаковки /41  
Інструкції з транспортування /41  
Застереження та загальні поради /41  
Встановлення /42  
Підключення до електромережі /42  
Вимкнення /43  
Опис приладу /43  
Робота морозильного відділення /43  
Рекомендації щодо зберігання продуктів /44  
Розморожування приладу /45  
Внутрішня чистка /45  
Зовнішня чистка /45  
Заміна лампочки внутрішнього освітлення /45  
Пошук та усунення несправностей /46



1

ⓘ Figures that take place in this instruction manual are schematic and may not correspond exactly with your product. If the subject parts are not included in the product you have purchased, then it is valid for other models.

ⓘ Ilustrațiile care apar în acest manual de instrucțiuni sunt orientative și pot să nu corespundă exact cu produsul dumneavoastră. Dacă piesele în cauză nu sunt incluse în produsul achiziționat, atunci este valabil pentru alte modele.

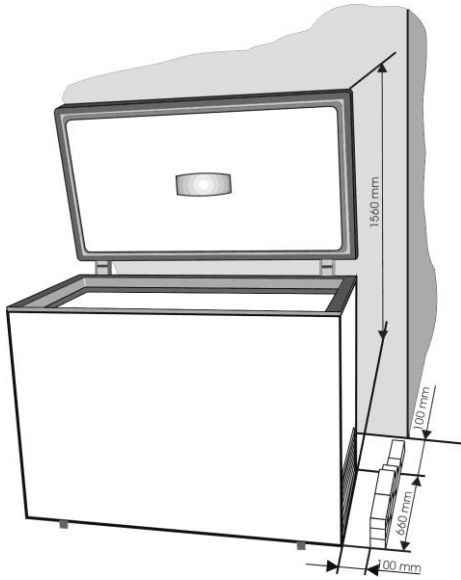
ⓘ Slike koje su uključene u ovom uputstvu za upotrebu su šematske i možda ne odgovaraju tačno Vašem proizvodu. Ako delovi teme nisu uključeni u proizvod koji ste kupili, onda to važi za druge modele.

ⓘ Ilustracije koje se nalaze u ovome uputstvu za upotrebu su shematske i mogu da se razlikuju od stvarnog izgleda vašeg proizvoda. Ukoliko su opisani neki dijelovi koji nisu uključeni u proizvod koji ste vi kupili, onda se oni odnose na druge modele.

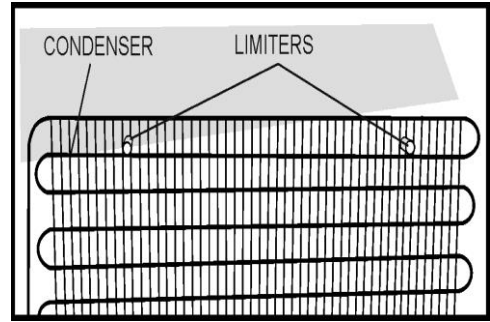
ⓘ Сликите што се прикажани во ова упатство за употреба се шематски и може да не соодветствуваат точно со производот. Ако деловите од поглавјето не се вклучени во производот што сте го купиле, тогаш тие важат за други модели.

ⓘ Figurat që ndodhen në këtë manual janë skematike dhe mund të mos korrespondojnë saktësisht me produktin tuaj. Nëse pjesët e subjektit nuk janë përfshirë në produktin që keni blerë atëherë janë të vlefshme për modele të tjera.

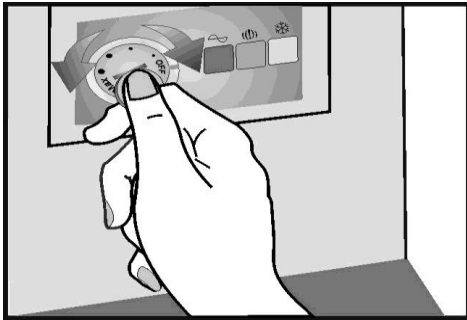
ⓘ Ілюстрації в даній інструкції є схематичними і можуть відрізнятися від вашої моделі. Якщо до комплектації моделі, яку ви придбали, не входять згадані деталі, вони призначені для інших моделей.



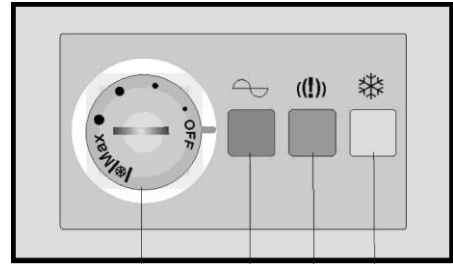
2



3

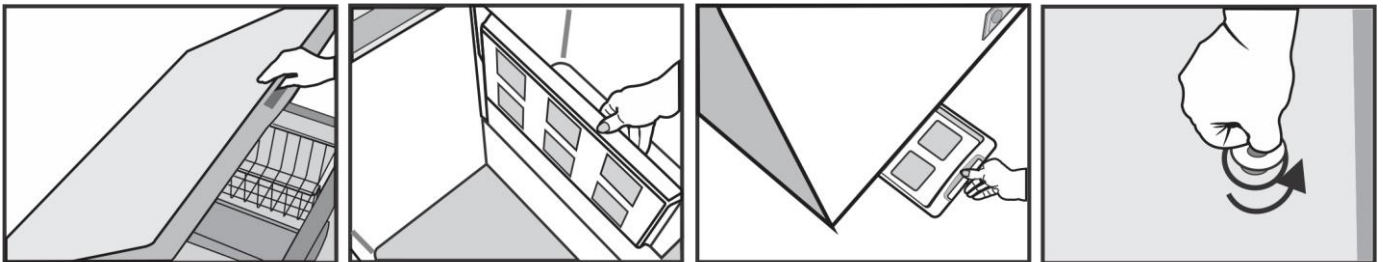


4



1 2 3 4

5



1

2

3

4

6



## **Congratulations for your choice!**

The chest freezer you have purchased is one in the BEKO products range and represents a harmonious joining between the refrigeration technique with the aestetical outlook. It has a new and attractive design and is built according to the European and national standards which guarantee its operation and safety features. At the same time, the used refrigerant, R600a, is environment-friendly and it does not affect the ozone layer.

In order to use the best your freezer, we advise you to read carefully the information in these user instructions.

## **Advice for recycling your old appliance**

If your newly purchased appliance replaces an older appliance, you must consider a few aspects.

The old appliances are not valueless scrap. Their disposal, while preserving the environment, allows the recovery of important raw materials.

Make your old appliance useless :

- disconnect the appliance from the supply;
- remove the supply cord (cut it);
- remove the eventual locks on the door to avoid the blocking of children inside, while playing, and the endangering of their lives.

The refrigerating appliances contain insulating materials and refrigerants which require a proper recycling.

Original Spare parts will be provided for 10 years, following the product purchasing date.

**This appliance is not intended for use by person with reduced physical, sensory or mental capabilities or lack of experience and knowledge unless they have been given supervision or instruction concerning use of the appliance by a person responsible for their safety.  
Children should be supervised to ensure that they do not play with the appliance.**

## ***Packing Recycling***

### ***WARNING!***

**Do not allow children to play with the packing or with parts of it. There is the risk of suffocation with parts of corrugated cardboard and with plastic film.**

In order to get to you in good condition, the appliance was protected with a suitable packing. All the materials of the packing are compatible with the environment and recyclable. Please help us recycle the packing while protecting the environment !

### ***IMPORTANT!***

Before putting the appliance in operation, read carefully and entirely these instructions. They contain important information concerning the setting up, use and maintenance of the appliance.

The manufacturer is free of any responsibility if the information in this document are not observed. Keep the instructions in a safe place in order to reach them easily in case of need. They can also be useful subsequently by another user.

### ***ATTENTION!***

**This appliance must be used only for its intended purpose, (household use), in suitable areas, far from rain, moisture or other weather conditions.**

## ***Transport instructions***

The appliance must be transported, as much as possible, only in vertical position. The packing must be in perfect condition during transport.

If during transport the appliance was put in horizontal position (only according to the markings on the packing), it is advised that, before putting it into operation, the appliance is left to rest for 4 hours in order to allow the settling of the refrigerating circuit.

The failure to observe these instructions can cause the breakdown of the motorcompressor and the cancellation of its warranty.

## ***Warnings and general advice***

- Do not plug in the appliance if you noticed a failure.
- The repairs must be done only by qualified personnel.
- In the following situations please unplug the appliance from the mains:
  - when you defrost completely the appliance;
  - when you clean the appliance.

**To unplug the appliance, pull by the plug, not by the cable!**

- Ensure the minimum space between the appliance and the wall against which it is placed.
- Do not climb on the appliance.
- Do not allow the children to play or hide inside the appliance.
- Never use electric appliances inside the freezer, for defrosting.
- Do not use the appliance near heating appliances, cookers or other sources of heat and fire.
- Do not leave the freezer door open more than it is necessary to put in or take out the food.
- Do not leave the food in the appliance if it is not working.
- Do not keep inside products containing flammable or explosive gases.
- Do not keep inside fizzy drinks (juice, mineral water, champagne, etc.) in the freezer: the bottle can explode! Do not freeze drinks in plastic bottles.
- Do not eat ice cubes or icecream immediately after having taken them out of the freezer because they may cause „freezer burns“.
- Never touch cold metal parts or frozen food with wet hands because your hands can quickly freeze on the very cold surfaces.
- For the protection of the appliance during warehousing and transport, it is provided with spacers between the door and the cabinet (in the front and rear side). These spacers will be removed before putting the appliance into operation.

- Excess deposit of ice on the frame and the baskets should be removed regularly with the plastic scraper provided. Do not use any metal parts to remove the ice.

The presence of this ice build-up makes impossible to close the door correctly.

- If you do not use your appliance for a few days, it is not advisable to switch it off. If you do not use it for a longer period, please proceed as follows :
  - unplug the appliance;
  - empty the freezer;
  - defrost it and clean it;
  - leave the door open to avoid the formation of unpleasant smells.
- If the supply cord is damaged, it must be replaced by the manufacturer, its service agent or similarly qualified persons in order to avoid a hazard.
- If your appliance has a lock, keep it locked and store the key in a safe place, out of the reach of children. If you are discarding an appliance with lock, make sure that, is made ineffective. This is very important so as to avoid children being trapped inside, which may cause their loss of life.

## Setting up

This appliance was designed to operate at an ambient temperature between  $-15^{\circ}\text{C}$  and  $+43^{\circ}\text{C}$ . If the ambient temperature is above  $+43^{\circ}\text{C}$ , inside the appliance the temperature can increase.

Set up the appliance far from any source of heat and fire. Placing it in a warm room, the direct exposure to sunbeams or near a heat source (heaters, cookers, ovens), will increase the energy consumption and shorten the product life.

- Please observe the following minimum distances:
  - 100 cm from the cookers working with coal or oil;
  - 150 cm from the electric and gas cookers.
- Ensure the free circulation of the air around the appliance, by observing the distances shown in Item 2.

Assemble on the condenser (in the rear side) the supplied spacers. (Item 3).

- Place the appliance in a perfectly even, dry and well ventilated place.  
Assemble the supplied accessories.

## Electric connection

Your appliance is intended to operate at a single-phase voltage of 220-240V/50 Hz. Before plugging in the appliance, please make sure that the parameters of the mains in your house (voltage, current type, frequency) comply to the operation parameters of the appliance.

- The information concerning the supply voltage and the absorbed power is given on the marking label placed in the back side of the freezer.
- The electric installation must comply with the law requirements.
- **The earthing of the appliance is compulsory. The manufacturer has no responsibility for any damage to persons, animals or goods which may arise from the failure to observe the specified conditions.**
- The appliance is endowed with a supply cord and a plug (European type, marked 10/16A) with double earthing contact for safety. If the socket is not the same type with the plug, please ask a specialised electrician to change it.
- Do not use extension pieces or multiple adapters.

## Switching off

The switching off must be possible by taking the plug out of the socket or by means of a mains two-poles switch placed before the socket.

## Operation

Before putting into operation, clean the inside of the appliance (see chapter „Cleaning“). After finishing this operation please plug in the appliance, adjust the thermostat knob to an average position. The green and red LEDs in the signalling block must light. Leave the appliance work for about 2 hours without putting food inside it. The freezing of the fresh food is possible after min. 20 hours of operation.

## Appliance description

(Item. 1)

1. Door handle
2. Door
3. Lamp housing
4. Baskets
5. Tray
6. Thermostat box
7. Spacer for transport

## Freezer operation

### Temperature adjustment

The temperature of the freezer is adjusted by means of the knob assembled on the thermostat (item. 4), position „MAX” being the lowest temperature.

The achieved temperatures can vary according to the conditions of use of the appliance, such as: place of the appliance, ambient temperature, frequency of door opening, extent of filling with food of the freezer. The position of the thermostat knob will change according to these factors. Normally, for an ambient temperature of approx. 32°C, the thermostat will be adjusted on an average position.

**The signalling system** is placed on the front side of the freezer (Item 5).

It includes:

1. Thermostat adjustment knob – the inside temperature is adjusted.
2. green LED – shows that the appliance is supplied with electric energy.
3. red LED – damage – lights if the temperature in the freezer is too high. The LED will operate 15-45 minutes after the putting into operation of the freezer, then it must go off. If the LED goes on during the operation, this means that defects have occurred.
4. LED Orange– fast freeze function activated – by setting the knob to Superfreeze position the orange led goes on, showing that the appliance entered into the "fast freeze" mode. The exit of this mode is done automatically after 50 hours then the appliance runs in economic mode, and the orange led goes off.

The three LEDs give information about the mode of operation of the freezer.

## Advice for food conservation

The freezer is intended to keep the frozen food for a long time, as well as to freeze fresh food.

One of the main elements for a successful food freezing is the packing.

The main conditions that the packing must fulfill are the following: to be airtight, to be inert towards the packed food, to resist to low temperatures, to be proof to liquids, grease, water vapours, smells, to be able to be washed.

These conditions are fulfilled by the following types of packings: plastic or aluminium film, plastic and aluminium vessels, waxed cardboard glasses or plastic glasses.

### **IMPORTANT!**

- For freezing the fresh food please use the supplied baskets of the appliance.
- Do not place into the freezer a too large quantity of food at a time. The quality of the food is best kept if they are deeply frozen as quickly as possible. This is why it is advisable not to exceed the freezing capacity of the appliance specified in the "Product Fiche".
- The fresh food must not come into contact with the food already frozen.
- The frozen food you have bought can be placed into the freezer without having to adjust the thermostat.
- If the freezing date is not mentioned on the packing, please take into consideration a period of max. 3 months, as a general guide.
- The food, even partially defrosted, cannot be frozen again, it must be consumed immediately or cooked and then refrozen.
- The fizzy drinks will not be kept in the freezer.
- In case of a power failure, do not open the door of the appliance. The frozen food will not be affected if the failure lasts less than 36 hours.

## ***Defrosting of the appliance***

- We advise you to defrost the freezer at least twice a year or when the ice layer has an excessive thickness.

- The ice build-up is a normal phenomenon.
- The quantity and the rapidity of ice build-up depends on the ambient conditions and on the frequency of the door opening.

- We advise you to defrost the appliance when the quantity of frozen food is the least.

- Before defrosting, adjust the thermostat knob to a higher position so that the food stores more cold.

- Unplug the appliance.

- Take out the frozen food, wrap it in several sheets of paper and put them in refrigerator or a cool place.

Take the separator panel and put it under the freezer in the direction of the dripping tube.

Take out the obstructing plug. The water which results will be collected in the special tray (separator panel). After the melting of the ice and the run-off of the water please wipe with a cloth or with a sponge, then dry well. Put the obstruction plug back in its place. (Item. 6)

For a fast thaw please leave the door open.

**Do not use sharp metal objects to remove the ice.**

**Do not use hairdriers or other electric heating appliances for defrosting.**

## ***Inside cleaning***

Before starting the cleaning, unplug the appliance from the mains.

- It is advisable to clean the appliance when you defrost it.

- Wash the inside with lukewarm water where you add some neutral detergent. Do not use soap, detergent, gasoline or acetone which can leave a strong odour.

- Wipe with a wet sponge and dry with a soft cloth.

During this operation, avoid the excess of water, in order to prevent its entrance into the thermal insulation of the appliance, which would cause unpleasant odours.

Do not forget to clean also the door gasket especially the bellow ribs, by means of a clean cloth.

## ***Outside cleaning***

- Clean the outside of the freezer by means of a sponge soaked in soapy warm water, wipe with a soft cloth and dry.

- The cleaning of the outside part of the refrigerating circuit (motorcompressor, condenser, connection tubes) will be done with a soft brush or with the vacuum-cleaner. During this operation, please take care not to distort the tubes or detach the cables.

**Do not use scouring or abrasive materials !**

- After having finished the cleaning, replace the accessories at their places and plug in the appliance.

## Replacing the interior light bulb

If the lamp burns out, disconnect the appliance from the mains. Take out the lamp trim. Make sure the lamp is screwed correctly. Plug in the appliance again. If the lamp still does not go on, replace it with another one model E14-15W. Mount back the lamp trim in its place.

The lamp(s) used in this appliance is not suitable for household room illumination. The intended purpose of this lamp is to assist the user to place foodstuffs in the refrigerator/freezer in a safe and comfortable way.

The lamps used in this appliance have to withstand extreme physical conditions such as temperatures below -20°C.

## Defects finding guide

### The appliance does not work.

- There is a power failure.
- The plug of the supply cord is not inserted well into the socket.
- The fuse is blown.
- The thermostat is in „OFF” position.

### The temperatures are not low enough (red LED on).

- The food prevents the door closing.
- The appliance was not placed correctly.
- The appliance is placed too close to a heat source.
- The thermostat knob is not in the correct position.

### Excessive ice build-up

- The door was not closed properly.

### The inside lighting does not work

- The lamp is blown. Unplug the appliance from the mains, take out the lamp and replace it with a new one.

### The following are not defects

- Possible noddings and cracks coming from the product: circulation of the refrigerant in the system.

## Noises during operation

In order to keep the temperature at the value you have adjusted, the compressor of the appliance starts periodically.

The noises which can be heard in such situation are normal.

They are reduced as soon as the appliance reaches the operation temperature.


The humming noise is made by the compressor. It can become a little stronger when the compressor starts.

The bubbling and gurgling noises coming from the refrigerant circulating in the pipes of the appliance, are normal operating noises.

### Warning !

Never try to repair yourself the appliance or its electric components. Any repair made by an unauthorised person is dangerous for the user and can result in the warranty cancellation.



The symbol  on the product or on packaging indicates that this product may not be treated as household waste. Instead it shall be handed over to the applicable collection point for the recycling of electrical and electronic equipment. By ensuring this product is disposed of correctly, you will help prevent potential negative consequences for the environment and human health, which could otherwise be otherwise be caused by inappropriate waste handling of this product. For more detailed information about recycling of this product, please contact your local city office, your household waste disposal service or the shop where you purchased the product.

## Felicitări pentru alegerea Dumneavoastră!

Acest congelator pe care l-ați achiziționat este cea mai nouă realizare a noastră din gama produselor **BEKO**. Are un design nou, atractiv și este construit în conformitate cu normele europene și naționale care vă garantează aptitudinile de funcționare și securitate.

Funcționarea cu un singur motocompresor, sistemul de comandă-reglare cu un singur termostat asigură o bună echilibrare a temperaturilor și un consum redus de energie electrică. În plus, agentul frigorific utilizat, R600a, este nepoluant și nu pune în pericol stratul de ozon.

Pentru a folosi optim noul dumneavoastră aparat, vă sfătuim să citiți cu atenție indicațiile din aceste instrucțiuni de utilizare.

**Acest aparat nu va fi utilizat de către persoane având reduse capacități fizice, senzoriale sau mentale, sau fără experiență în utilizarea aparatului, dacă o persoană responsabilă de siguranța lor nu le-a instruit în legătura cu aceasta. Copiii trebuie supravegheați pentru a avea certitudinea că nu se joacă cu aparatul.**

## **Sfaturi pentru reciclarea vechiului dumneavoastră aparat**

În cazul în care noul aparat achiziționat înlocuiește un aparat mai vechi, trebuie să țineți cont de câteva lucruri.

- Aparatele uzate nu sunt deșeuri fără valoare. Eliminarea lor, respectând mediul înconjurător, permite recuperarea unor materii prime importante.

Faceți vechiul aparat inutilizabil :

- deconectați aparatul de la priza de curent;
- îndepărtați cablul de alimentare (tăiați-l);
- îndepărtați eventualele încuietori de pe ușă pentru a evita blocarea în interior, din joacă, a copiilor și punerea în pericol a vieții acestora.

Aparatele frigorifice conțin materiale izolatoare și agenți frigorifici care necesită o reciclare adecvată.

## **Reciclarea ambalajului**

### **ATENȚIE!**

**Nu permiteți copiilor să se joace cu ambalajul sau cu părți componente ale acestuia. Există riscul de a se sufoca cu bucăți de carton pliat și cu folia de plastic.**

Pentru a ajunge la dumneavoastră în stare bună, aparatul a fost protejat cu un ambalaj corespunzător. Toate materialele care constituie ambalajul sunt compatibile cu mediul înconjurător și reciclabile. Ajutați-ne să reciclăm ambalajul respectând mediul înconjurător !

### **IMPORTANT!**

Înainte de a pune aparatul în funcțiune, citiți cu atenție și în întregime aceste instrucțiuni. Ele conțin informații importante referitoare la instalarea, utilizarea și întreținerea aparatului.

Fabricantul își declină orice responsabilitate dacă nu se respectă indicațiile din acest document. Păstrați instrucțiunile într-un loc sigur pentru a putea fi consultate cu ușurință în caz de nevoie. De asemenea, ele pot fi folositoare ulterior unui alt utilizator.

### **ATENȚIE!**

**Acest aparat trebuie folosit numai în scopul pentru care a fost fabricat (uz casnic), în spații corespunzătoare, ferit de ploaie, umezeală sau alți factori atmosferici.**

## **Instrucțiuni de transport**

- ♦ Recomandăm ca transportul aparatului să se facă numai în poziție verticală.
  - ♦ Înaintea efectuării probei de funcționare în magazin, ambalajul aparatului trebuie să fie intact.
  - ♦ Înainte de punere în funcțiune, lăsați-l în repaus min. 12 ore.
- În timpul transportului aparatului evitați să deformați circuitul frigorific (tubulatură).

**Nerespectarea acestor instrucțiuni poate duce la defectarea motocompresorului și scoaterea aparatului din garanție.**

## **Declarația de conformitate UE**

- ♦ Aparatul este în conformitate cu cerințele esențiale și celelalte prevederi din HG 487/2016 și cu prevederile din Ordonanța nr. 20/2010.
- ♦ Din punct de vedere al securității electrice aparatul este în conformitate cu HG 409/2016. Standarde aplicabile: EN60335-2-24; EN60335-1; EN62233.
- ♦ Din punct de vedere al compatibilității electromagnetice aparatul este în conformitate cu HG487/2016. Standarde aplicabile: EN55014-1; EN55014-2; EN61000-3-2; EN61000-3-3.
- ♦ Aparatul este în conformitate cu cerințele esențiale și celelalte prevederi din HG322/2013 și OGU nr.5/2015; Reg.(UE) nr.10/2011; Reg.(CE) nr. 1907/2006.



## Precauții și recomandări generale

- Nu puneți aparatul în funcțiune dacă ați observat o defecțiune.
- În timpul transportului, manipulării și poziționării aparatului evitați să deformați circuitul frigorific (tubulatura).
- Folosiți congelatorul dumneavoastră doar pentru păstrarea alimentelor congelate, congelarea alimentelor proaspete și producerea cuburilor de gheață.
- Nu lăsați ușa deschisă mai mult decât este necesar introducerii sau scoaterii alimentelor.
- Nu depozitați în interior produse care conțin gaze inflamabile sau explozive.
- Nu consumați cuburi de gheață sau înghețată imediat după scoaterea lor din congelator pentru că pot cauza arsuri la rece.
- Nu atingeți niciodată părți metalice reci sau alimente congelate dacă aveți mâinile ude deoarece mâinile dvs. pot îngheța rapid pe suprafețele foarte reci.
- Nu permiteți copiilor să se joace sau să se ascundă în interiorul aparatului.
- Înainte de a efectua orice operație de curățare scoateți fișa din priză de curent.
- Pentru a deconecta aparatul de la rețea trageți de fișă și nu de cablu!
- Nu vă urcați pe aparat.
- Nu folosiți aparatul aproape de radiatoare, mașini de gătit sau alte surse de căldură și foc.
- Nu lăsați alimentele în aparat dacă acesta nu funcționează.
- Depunerea excesivă de gheață pe cadru și coșuri trebuie înlăturată în mod regulat cu ajutorul paletei de plastic livrată cu aparatul. Existența acestei depuneri de gheață determină imposibilitatea închiderii corecte a ușii.
- Pentru protecția aparatului în timpul depozitării și a transportului, acesta este prevăzut cu distanțieri între ușă și dulap (în partea din față și spate).

Acești distanțieri vor fi îndepărtați înainte ca aparatul să fie pus în funcțiune.

- Dacă nu utilizați aparatul câteva zile, nu este recomandabil să-l opriți. Dacă nu-l utilizați o perioadă mai mare de timp, veți proceda în felul următor:
  - scoateți fișa cordonului de alimentare din priză;
  - goliți congelatorul;
  - dezghețați și curățați;
  - lăsați capacul ridicat pentru a evita formarea mirosurilor neplăcute.
- Cordonul de alimentare poate fi înlocuit doar de către o persoană autorizată.
- Dacă aparatul dvs. are încuietoare, păstrați-l închis cu cheia și puneți cheia într-un loc sigur unde copiii nu pot ajunge. Dacă aruncați un aparat cu încuietoare aveți grijă ca aceasta să fie ineficace. Este foarte important, pentru a evita rămânerea copiilor în interiorul aparatului, lucru care le poate cauza moartea.

Acest aparat trebuie folosit numai în scopul pentru care a fost fabricat (uz casnic), în spații corespunzătoare, ferit de ploaie, umezeală sau alți factori atmosferici.

## Instalarea aparatului

**Instalarea corectă este esențială pentru a asigura funcționarea aparatului la performanțele sale maxime.**

Pentru aceasta recomandăm amplasarea aparatului în încăperi ferite de ploaie, umezeală sau alți factori atmosferici.

Aparatul trebuie instalat departe de orice sursă de căldură și foc.

Instalarea într-o încăpere caldă, expunerea directă la razele solare sau poziționarea aparatului în apropierea unei surse de căldură (calorifere, mașini de gătit, cuptoare), măresc consumul de energie electrică și reduc durata de viață a acestuia. De aceea, acest aparat trebuie instalat numai în încăperi prevăzute cu uși și ferestre care să permită o bună circulație a aerului.

- Pentru amplasarea aparatului în locuința dumneavoastră respectați următoarele distanțe minime:
  - 100 cm de la mașinile de gătit pe bază de cărbuni sau petrol;
  - 150 cm de la mașinile de gătit electrice și/sau pe bază de gaze.
 Asigurați liberă circulație a aerului în jurul aparatului, prin respectarea distanțelor precizate în Fig. 2.
- Montați pe condensator (în partea din spate) limitatoarele livrate împreună cu aparatul (Fig. 3).
- Pardoseala sau suportul pe care va fi așezat aparatul trebuie să fie perfect nivelat.
- Montați accesoriile din dotare.

### **Temperatura ambiantă**

Este un factor important în funcționarea aparatului Dvs. din punct de vedere al realizării temperaturilor interioare cu un consum minim de energie și aprecierea duratei de viață a acestuia.

Acest aparat a fost conceput să funcționeze și să asigure parametri proiectați (specificați în manualul de utilizare și plăcuța de caracteristici) într-un domeniu al temperaturilor ambiante cuprins între  $-15^{\circ}\text{C}$  și  $43^{\circ}\text{C}$ .

La temperaturi ambiante mai mici sau mai mari decât limita inferioară, respectiv limita superioară se pot produce perturbații în buna funcționare a aparatului.

La temperaturi ambiante peste limita superioară de  $43^{\circ}\text{C}$ , cu cât ne îndepărtăm de aceasta, pauzele sunt din ce în ce mai mici, aparatul tinde către o funcționare continuă, temperaturile interioare cresc, la fel și consumul de energie.

### **Conectarea la rețeaua electrică**

Aparatul dumneavoastră este prevăzut să funcționeze la o tensiune monofazată de 220-240V/50 Hz. Înainte de a conecta aparatul la rețea, asigurați-vă că parametrii rețelei electrice din casa dumneavoastră (tensiune, tip curent, frecvență) corespund parametrilor de funcționare ai aparatului. Informațiile referitoare la tensiunea de alimentare și puterea absorbită sunt date pe eticheta de marcare, situată în partea posterioară a aparatului.

- Instalația electrică trebuie să respecte condițiile legale.
- Conectarea aparatului la o rețea electrică prevăzută cu împământare este obligatorie prin lege. Producătorul nu-și asumă nici o răspundere pentru eventualele pagube aduse persoanelor, animalelor sau distrugerea bunurilor rezultate prin nerespectarea condițiilor menționate.
- Aparatul este dotat cu un cordon de alimentare și o fișă (model european, marcată 10/16A) cu dublu contact de legare la pământ de protecție. Dacă priza nu este de același tip cu fișa, cereți unui tehnician specializat să o schimbe.
- Este recomandat să nu conectați aparatul la rețeaua electrică cu un prelungitor sau un adaptor.
- Dacă aparatul este montat între două corpuri de mobilier asigurați-vă că acestea nu sunt așezate pe cablul de alimentare sau nu îl presează.

### **Deconectarea de la rețeaua electrică**

Deconectarea electrică trebuie să fie posibilă prin scoaterea fișei din priză sau cu ajutorul unui întrerupător bipolar de rețea situat înaintea prizei.

## ***Punerea în funcțiune***

Înainte de punerea în funcțiune, curățați interiorul aparatului (**citiți** capitolul "Întreținerea și curățarea aparatului"). După terminarea acestei operații conectați aparatul la rețeaua electrică, reglați butonul termostat pe o poziție medie. LED-ul verde și roșu din blocul de semnalizare trebuie să se aprindă. Lăsați aparatul să funcționeze circa 2 ore fără să puneți alimente în el. Congelarea alimentelor proaspete este posibilă după min. 20 ore de funcționare.

## ***Prezentarea aparatului***

- 1 - Mâner
- 2 - Ușă
- 3 - Bec pentru iluminare interioară
- 4 - Coșuri
- 5 - Panou separator
- 6 - Bloc semnalizare
- 7 - Distanțier pentru transport

## ***Funcționarea aparatului***

### **Reglarea temperaturii**

Temperatura congelatorului se reglează cu ajutorul butonului termostat (fig. 4), poziția „MAX” indicând cea mai scăzută temperatură.

Temperaturile obținute pot să varieze în funcție de condițiile de utilizare ale aparatului cum sunt: amplasarea aparatului, temperatura mediului ambiant, frecvența deschiderii ușii, gradul de încărcare cu alimente a congelatorului. Poziția butonului de reglare a termostatului se va modifica în funcție de acești factori. În mod obișnuit, pentru o temperatură a mediului ambiant de aproximativ 32°C, butonul termostatului se va fixa pe o poziție medie.

**Sistemul de semnalizare** este montat pe partea frontală a congelatorului (fig. 5).

El cuprinde:

1. Buton reglare termostat - se reglează temperatura interioară.
1. LED verde - indică faptul că aparatul este alimentat cu energie electrică.
3. LED roșu - avarie - se aprinde dacă temperatura în congelator este prea ridicată. LED-ul va funcționa 15-45 minute după punerea în funcțiune a congelatorului, după care trebuie să se stingă. Dacă LED-ul se aprinde în timpul funcționării înseamnă că au apărut defecțiuni.
4. LED portocaliu - congelare rapidă - Se aprinde când butonul termostat (1) este pe poziția „FAST FREEZE/❄” și va sta astfel o perioadă constantă de 50 de ore, după care aparatul va funcționa într-un regim economic.

Cele trei LED-uri dau indicații despre modul de funcționare a congelatorului.

## **Sfaturi practice pentru eficiență maximă**

### **Congelarea alimentelor**

Congelatorul este destinat păstrării pe termen lung a alimentelor congelate, precum și pentru congelarea alimentelor proaspete.

- Unul din elementele esențiale pentru reușita congelării alimentelor proaspete este ambalajul.

Condițiile principale pe care trebuie să le îndeplinească ambalajele sunt următoarele:

să fie etanșe, inerte față de alimentele ambalate, rezistente la temperaturi coborâte, să fie impermeabile la lichide, grăsimi, vapori de apă, mirosuri, să poată fi spălate.

Aceste condiții sunt îndeplinite de următoarele tipuri de ambalaje: folie din material plastic sau aluminiu, vase din masă plastică, recipiente din aluminiu, pahare din carton cerat sau din material plastic.

- Nu introduceți în congelator o cantitate prea mare de alimente dintr-o dată.
- Alimentele trebuie să fie congelate complet și cât mai repede, numai astfel se conservă conținutul de vitamine, valoarea lor nutritivă, aspectul și gustul lor. De aceea este de preferat să nu depășiți capacitatea de congelare a aparatului indicată în "Fișa Produsului".
- Pentru scurtarea duratei de congelare reglați butonul termostat pe poziția „FAST FREEZE/❄” pentru „congelare rapidă”. Pentru congelarea alimentelor proaspete folosiți coșul din dotarea aparatului.
- Pentru congelarea alimentelor proaspete folosiți coșurile din dotarea aparatului (pag. 9).
- Înainte de introducerea lor pentru congelare, alimentele fierbinți se vor răci la temperatura camerei.
- Alimentele proaspete nu trebuie să vină în contact cu alimentele deja congelate.

- Alimentele congelate, cumpărate din comerț, le puteți introduce în congelator fără a mai fi nevoie să se regleze termostatul.

- Dacă pe pachet nu este indicată data congelării, considerați o perioadă de păstrare de maximum 3 luni (ca un ghid general).
- Orice aliment, chiar și parțial decongelat, nu mai poate fi recongelat, trebuie consumat imediat sau gătit și apoi recongelat.
- Băuturile acidulate nu se păstrează în congelator.
- În cazul unei întreruperi de curent, nu deschideți ușa aparatului. Alimentele congelate nu vor fi afectate dacă întreruperea durează mai puțin de 36 ore.

### **Sfaturi practice privind reducerea consumului de energie electrică**

1. Asigurați-vă că aparatul este amplasat în zone bine ventilate, departe de orice sursă de căldură (aragaz, calorifer etc.). De asemenea, amplasarea aparatului trebuie făcută astfel încât să nu intre sub incidența directă a razelor de soare.
2. Asigurați-vă că alimentele cumpărate în stare refrigerată/congelată sunt introduse în aparat în cel mai scurt timp după cumpărare, mai ales pe timpul verii. Pentru transportul alimentelor până acasă se recomandă utilizarea sacoșelor izoterme.
3. Puneți produsele în vase închise sau folii pentru a evita producerea de gheață suplimentară.
4. Recomandăm micșorarea numărului de deschideri a ușii aparatului la minim posibil.
5. Nu țineți ușa aparatului deschisă mai mult decât este necesar și asigurați-vă după fiecare deschidere că aceasta este bine închisă.
6. Asigurați buna ventilație a compresorului și condensatorului.
7. Păstrați condensatorul curat (sistemul de tubulatură din spatele aparatului).

## Întreținerea și curățarea aparatului

### Sfaturi pentru dezghețarea aparatului

- Formarea gheții este un fenomen normal.
- Cantitatea și rapiditatea de acumulare a gheții depinde de condițiile ambientale și de frecvența deschiderii ușii.
- Vă recomandăm:
  - să dezghețați congelatorul cel puțin de două ori pe an sau când stratul de gheață are o grosime excesivă.
  - să efectuați dezghețarea când cantitatea de alimente congelate este minimă.
- Înainte de dezghețare, puneți butonul de setare temperatură pe poziția superioară, sau activați congelarea rapidă pentru ca alimentele să înmagazineze un plus de frig.
  - Debransați aparatul de la rețea.
  - Scoateți apoi alimentele congelate, înfășurați-le în mai multe coli de hârtie și așezați-le în frigider sau într-un loc răcoros.
  - Luați panoul separator și puneți-l sub congelator în dreptul tubului de scurgere. Desfaceți bușonul de obturare. Apa rezultată va fi colectată în tăvița specială (panoul separator). După topirea gheții și scurgerea apei ștergeți cu o cârpă sau un burete, după care uscați bine. Reintroduceți bușonul de obturare în locașul său (Fig. 6).
  - Pentru o dezghețare rapidă lăsați ușa deschisă.

**Nu folosiți obiecte metalice ascuțite pentru a îndepărta gheața.**

**Nu folosiți uscătoare de păr sau alte aparate electrice de încălzit pentru dezghețare.**

### Curățarea interioară

Înainte de începerea operației de curățare, deconectați aparatul de la rețea.

- Se recomandă să curățați aparatul cu ocazia dezghețării acestuia.
- Spălați interiorul cu apă caldă în care adăugați un detergent neutru. Nu folosiți săpun, benzină sau acetonă care pot lăsa un miros persistent.
- Ștergeți cu un burete ud și uscați cu o cârpă moale.

În timpul acestei operații, evitați excesul de apă pentru a împiedica pătrunderea ei în izolația termică a aparatului, fapt ce ar provoca apariția mirosurilor neplăcute.

**Aveți grijă să nu intre apă în cutia pentru lampa de iluminare interioară !**

Nu uitați să curățați garnitura de la ușă cu o cârpă curată.

### Curățarea exterioară

- Curățați exteriorul congelatorului folosind un burete înmuiat în apă caldă cu săpun, apoi ștergeți cu o cârpă moale și uscată.
- Curățarea părții exterioare a circuitului frigorific (motocompresor, condensator, tubulatură de legătură) se va face cu o perie moale sau aspiratorul. În timpul acestei operații aveți grijă să nu deformați tubulatura sau să smulgeți cablajul.

**Nu folosiți prafuri de curățat sau materiale abrazive !**

- Odată terminată curățarea, puneți accesoriile la locul lor.

## **Înlocuirea becului interior**

În cazul în care se arde becul, deconectați aparatul de la rețeaua electrică. Demontați plafoniera. Asigurați-vă că becul este înșurubat corect. Conectați aparatul. Dacă becul tot nu se aprinde, înlocuiți-l cu altul model E14-15W. Montați plafoniera. Becul (becurile) folosite în acest aparat nu sunt adecvate pentru iluminatul casnic. Scopul acestui bec este să ajute utilizatorul să plaseze alimente în frigider/congelator într-un mod sigur și confortabil. Lămpile utilizate în acest produs trebuie să reziste la condiții fizice extreme cum ar fi temperaturi sub -20°C.

## **Ghidul de căutare a defecțiunilor**

**În cazul în care aparatul dumneavoastră nu funcționează verificați dacă:**

- Există o întrerupere de curent electric.
- Fișa cordonului de alimentare este introdusă bine în priza de curent.
- Siguranța este arsă.
- Termostatul este pe poziția **OFF**.

**Temperaturile nu sunt suficient de scăzute (LED roșu aprins).**

- Alimentele împiedică închiderea ușii.
- Aparatul nu a fost amplasat corect.
- Aparatul este instalat prea aproape de o sursă de căldură.
- Butonul termostatului nu se află pe poziția corectă.

**Formarea excesivă de gheață**

- Ușa nu a fost închisă în mod corect.

**Iluminatul interior nu funcționează.**

- Becul este ars.
- Întrerupătorul montat în interiorul ușii este defect.

## **Informații în legătură cu zgomotele și vibrațiile ce pot apărea în timpul funcționării aparatului**

1. Zgomotul de funcționare se poate accentua în timpul funcționării.
  - Pentru menținerea temperaturilor la temperatura reglată, motocompresorul aparatului pornește periodic. Zgomotul produs de motocompresor devine mai puternic la pornirea acestuia iar la oprire se aude un clinchet.
  - Caracteristicile de performanță și funcționare ale aparatului se pot schimba în funcție de modificările de temperatură ale mediului ambiant. Aceste lucruri trebuie considerate ca ceva normal.
2. Zgomote care dau senzația de lichide care curg sau sunt pulverizate
  - Aceste zgomote sunt determinate de fluxul agentului frigorific în circuitul aparatului și sunt conforme cu principiul de funcționare ale aparatului.
3. Alte vibrații și zgomote.
  - Nivelul de zgomot și vibrații poate fi cauzat de tipul și aspectul podelei pe care este așezat aparatul. Asigurați-vă ca podeaua nu prezintă denivelări pronunțate sau poate ceda sub greutatea aparatului (este flexibilă).
  - O altă sursă de zgomot și vibrații sunt obiectele așezate pe aparat. Aceste obiecte trebuie îndepărtate de pe aparat.

### **Informații privind reciclarea deșeurilor de echipamente electrice și electronice (DEEE)**

Conform prevederilor legislației privind gestionarea deșeurilor, este interzisă eliminarea deșeurilor de echipamente electrice și electronice (DEEE) alături de deșeurile municipale nesortate. Ele trebuie predate la punctele municipale de colectare, societățile autorizate de colectare/reciclare sau distribuitori (în cazul în care se achiziționează echipamente noi de același tip).

Autoritățile locale trebuie să asigure spațiile necesare pentru colectarea selectivă a deșeurilor precum și funcționalitatea acestora. Contactați societatea de salubritate sau compartimentul specializat din cadrul primăriei pentru informații detaliate. Deșeurile de echipamente electrice și electronice pot fi predate și distribuitorilor, la achiziționarea de echipamente noi de același tip (schimb 1 la 1).

Predarea, de către utilizatori, a deșeurilor de echipamente electrice și electronice, la punctele de colectare municipale, societățile autorizate de colectare/reciclare sau distribuitori (în cazul în care se achiziționează echipamente noi de același tip) facilitează re folosirea, reciclarea sau alte forme de valoificare a acestora.

Informații cu privire la punctele de colectare a deșeurilor de echipamente electrice și electronice, se găsesc pe site-ul Ministerului Mediului și Gospodăririi Apelor, la adresa: [www.mmediu.ro](http://www.mmediu.ro).

Deșeurile de echipamente electrice și electronice pot conține substanțe periculoase care pot avea un impact negativ asupra mediului și sănătății umane în cazul în care DEEE nu sunt colectate selectiv și gestionate conform prevederilor legale.

Simbolul de mai jos (o pubeză cu roți barată cu două linii în formă de X), aplicat pe un echipament electric sau electronic, semnifică faptul ca acesta face obiectul unei colectări separate și nu poate fi eliminat împreună cu deșeurile municipale nesortate.



## Čestitamo Vam na izboru!

Zamrzivač koji ste kupili je jedan od BEKO proizvoda i predstavlja harmonično sjedinjenje tehnike hlađenja i estetskog izgleda. Ima novi i atraktivni dizajn i izgrađen je prema evropskim i nacionalnim standardima koji garantuju njegov rad i bezbednost. U isto vreme, korišćeno rashladno sredstvo, R600a, je bezbedno za sredinu i ne utiče na ozonski sloj. Da biste najbolje koristili Vaš frižider, savetujemo Vam da pažljivo pročitate informacije u ovim uputstvima.

## Saveti za reciklažu Vašeg starog aparata

Ako Vaš novi aparat koji ste kupili zamenjuje stariji aparat, morate da imate na umu nekoliko aspekata.

Stari aparati nisu bezvredni otpad. Njihovo odlaganje, osim što štiti sredinu, omogućava dobijanje važnih sirovina.

Onesposobite Vaš stari aparat:

- isključite aparat iz struje;
- uklonite strujni kabl (odsecite ga);
- skinite eventualne brave na vratima da biste izbegli da se deca zaglave unutra dok se igraju i ugroze svoj život.

Aparati za hlađenje sadrže i izolatore i sredstva za hlađenje kojima treba pravilna reciklaža.

Originalni rezervni delovi će biti obezbeđeni za 10 godina od dana kupovine proizvoda.

**Ovaj aparat nije namenjen za upotrebu od strane lica sa smanjenim fizičkim, čulnim ili mentalnim sposobnostima ili nedostatkom iskustva i znanja osim ako nije pod nadzorom ili je naučen da rukuje aparatom od strane lica koje je odgovorno za njegovu/njenu sigurnost. Deca trebaju da budu pod nadzorom da biste bili sigurni da se ne igraju s aparatom.**



## Reciklaža pakovanja

### UPOZORENJE!

Ne puštajte deci da se igraju s pakovanjem ili njegovim delovima. Postoji opasnost od gušenja delovima naboranog kartona i s plastičnim premazom.

Da bi do Vas došao u dobrom stanju, aparat je zaštićen odgovarajućim pakovanjem. Svi materijali pakovanja su kompatibilni sa sredinom i mogu da se recikliraju. Molimo pomozite nam s reciklažom pakovanja dok štitite sredinu.

### VAŽNO!

Pre uključivanja aparata, pažljivo pročitajte cela ova uputstva. Ona sadržavaju važne informacije u vezi postavljanja, upotrebe i održavanja aparata.

Proizvođač je slobodan od svake odgovornosti ako se ne budete pridržavali ovih informacija. Držite ova uputstva na bezbednom mestu da biste lako došli do njih ako Vam trebaju. Takođe mogu da budu korisni kasnije i drugom korisniku.

### PAŽNJA!

Ovaj aparat sme da se koristi samo za predviđenu namenu (upotreba u domaćinstvu) u odgovarajućim područjima, dalje od kiše, vlage i drugim uticajima vremena.

## Uputstva vezana za transport

Aparat mora da se prevozi, koliko god je moguće, samo u verikalnom položaju. Pakovanje mora da bude u savršenom stanju za vreme transporta.

Ako je za vreme transporta aparat u horizontalnom položaju (samo prema oznakama na pakovanju), savetuje se da se pre uključivanja aparat ostavi bar 4 časa da bi se omogućili da se sklop za hlađenje slegne.

Nepridržavanje ovih uputstava može da dovede do kvara motora kompresora i ukidanje garancije.

## Upozorenje i opšti saveti

- Ne uključujte aparat ako ste primetili kvar.
- Popravak sme da vrši samo kvalifikovani majstor.
- U sledećim situacijama molimo isključite aparat iz struje:
  - kad potpuno odmrznete aparat;
  - kad čistite aparat.

### Da isključite aparat iz struje, povlačite za utikač, ne za kabl!

- Osigurajte minimalan razmak između aparata i zida pored kojeg je postavljen.
  - Ne penjite se na aparat.
  - Ne puštajte decu da se igraju s uređajem ili se sakrivaju u njemu.
  - Nikad ne koristite električne aparate u zamrzivaču za odmrzavanje.
  - Ne koristite aparat blizu grejalica, šporeta ili drugih izvora toplote i plamena.
  - Ne stavljajte vrata zamrzivača otvorena više nego što je potrebno da biste stavili ili izvadili hranu.
  - Ne stavljajte hranu u aparat ako ne radi.
  - Ne držite unutra proizvode koji sadržavaju zapaljive ili eksplozivne gasove.
  - Ne držite gaziranja pića (sokove, kiselu vodu, šampanjac, itd.) u zamrzivaču: flaša može da eksplodira! Ne zamrzavajte pića u plastičnim flašama.
  - Ne jedite kockice leda ili sladoled odmah kad ga izvadite iz zamrzivača jer mogu da uzrokuju „ledene opekotine“.
  - Nikad ne dirajte metalne delove ili smrznutu hranu s mokrim rukama jer Vaše ruke mogu brzo da se zamrznju na jako hladnim površinama.
  - Zbog zaštite aparata za vreme držanja u magacinu i transporta, postavljeni su delovi koji održavaju razdaljinu između vrata i kućišta (prednja i zadnja strana). Ti delovi se skinu pre stavljanja aparata u pogon.
  - Višak nakupljenog leda na okviru i korpama mora redovno da se skida dostavljenim strugačem. Ne koristite metalne predmete za skidanje leda.
- Prisutnost nakupljenog leda onemogućava pravilno zatvaranje vrata.

• Ako ne koristite Vaš aparat nekoliko dana, savetujemo Vam da ga ne isključujete. Ako ga ne koristite duže vreme, molimo nastavite na sledeći način:

- isključite aparat iz struje;
- ispraznite frižider;
- odmrznite ga i obrišite;
- ostavite vrata otvorena da biste izbegli stvaranje neugodnih mirisa.
- Ako je električni kabl oštećen, mora da ga zameni proizvođač, njegov serviser ili slično kvalifikovano lice kako bi se izbegla opasnost.
- Ako Vaš aparat ima bravu, držite je zaključanu i držite ključ na sigurnom mestu, van dosega dece. Ako odbacujete aparat s bravom, pazite da ga onesposobite. To je jako važno zato da sprečite zaglavljivanje dece unutra, što može da dovede do smrti.

## Postavljanje

Ovaj aparat je napravljen da radi na sobnoj temperaturi između  $-15^{\circ}\text{C}$  i  $+43^{\circ}\text{C}$  (SN-T klasa). Ako je sobna temperatura iznad  $+43^{\circ}\text{C}$ , temperatura unutrašnjosti aparata može da se poveća.

Podesite aparat dalje od izvora toplote i vatre. Stavljajte u toplu prostoriju, direktno izlaganje zrakama sunca ili blizu izvora toplote (grejalice, šporeti, rerne) povećava potrošnju energije i smanjuje vek trajanja proizvoda.

- Molimo držite sledeće minimalne udaljenosti:
    - 100 cm od šporeta na ugalj ili naftu;
    - 150 cm od šporeta na struju i gas.
  - Obezbedite slobodnu cirkulaciju Vazduha oko aparata i držite udaljenost kako je prikazano na Slici 2.
- Montaža dostavljenih razmaka na kondenzator (na zadnjoj strani). (Slika 3).
- Stavite aparat na savršeno ravno, suvo i dobro provetravano mesto.
- Montirajte dostavljene dodatke.

## Električno priključivanje

Vaš aparat je namenjen za rad na jednofaznom naponu od 220-240V/50 Hz. Pre uključivanja aparata, pazite da su parametri struje u Vašoj kući (napon, vrsta struje, frekvencija) usklađeni s radnim parametrima aparata.

- Informacije o naponu struje i potrošnji energije je data na oznaci koja se nalazi na zadnjok strani frižidera.
- Elektroinstalacije moraju da budu usklađene s pravnim zahtevima.
- **Uzemljenje aparata je obavezno. Proizvođač nije odgovoran za bilo kakvu štetu prema licima, životinjama ili predmetima do koje može da dođe zbog nepridržavanja određenih uslova.**
- Aparat ke opremljen strujnim kablom i utikačem (evropski tip, označen s 10/16A) s dvostrukim uzemljenim kontaktom zbog bezbednosti. Ako utičnica nije iste vrste kao utikač, tražite od specijalizovanog električara da je zameni.
- Ne koristite produžne kablove ili adaptere s više utičnica.

## Isključivanje

Isključivanje mora da bude moguće izvlačenjem utikača iz utičnice ili pomoću dvopolnog strujnog prekidača koji se nalazi pre utičnice.

## Rad

Pre uključivanja, očistite unutrašnjost aparata (pogledajte glavu „Čišćenje”). Kad završite ovu operaciju, uključite aparat u struju, podesite taster termostata na srednji položaj. Zelene i crvene LED lampice na signalnom bloku moraju da budu upaljene. Ostavite aparat da radi otprilike 2 časa pre nego što stavite hranu u njega. Zamrzavanje sveže hrane je moguće posle 20 časova rada.

## Opis aparata

(Slika 1)

1. Ručka
2. Vrata
3. Kućište sijalice
4. Korpe
5. Pokušajte
6. Kutija termostata
7. Deo za održavanje razmaka za vreme transporta

## Rad zamrzivača

### Podešavanje temperature

Temperatura zamrzivača se podešava pomoću tastera koji je montiran na termostatu (slika. 4) položaj „MAX” je najniža temperatura.

Postignute temperature mogu da budu različite prema uslovima upotrebe aparata, kao što su: mesto na kojem se aparat nalazi, temperatura okoline, učestalost otvaranja vrata, količina ispunjenosti frižidera vodom. Položaj tastera termostata će se promeniti prema tim faktorima. normalno, za temperaturu okoline od otprilike 32°C, termostat će da bude podešen na prosečnom položaju.

**Sistem za signalizaciju** se nalazi na prednjem delu zamrzivača (Slika 5).

On uključuje:

1. Taster za podešavanje termostata – podešena je unutrašnja temperatura.
2. zelena dioda – pokazuje da se aparat napaja električnom energijom.
3. crvena dioda – kvar – pali se ako je temperatura zamrzivača previsoka. Dioda će da radi 15-45 minuta posle uključivanja zamrzivača, zatim mora da se isključi. Ako dioda ostane uključena za vreme rada, to znači da je došlo do kvara.
4. Narandžasti taster – brzo zamrzavanje – pritiskom na njega narandžasta dioda ostaje uključena, pokazujući da je aparat ušao u režim „brzo zamrzavanje”. Iz tog režima se izlazi ponovnim pritiskom na taster, i narandžasta dioda se isključuje. Tri diode daju informacije o radu zamrzivača.

## Saveti za čuvanje hrane

Zamrzivač je namenjen čuvanju zamrznute hrane duže vreme, kao i zamrzavanju sveže hrane.

Jedan od glavnih elemenata za uspešno zamrzavanje hrane je pakovanje.

Glavni uslovi koje pakovanje treba da ispuni su sledeći: da ne propušta vazduh, da bude inertno prema spakovanoj hrani, da bude otporno na tečnost, mast, vodenu paru, mirise, da može da se pere.

Ti uslovi se ispunjavaju sledećom vrstom pakovanja: plastični ili aluminijumski premaz, plastične i aluminijumske posude, čaše od kartona premazanog voskom ili plastične čaše.

### VAŽNO!

- Za zamrzavanje sveže hrane molimo upotrebljavajte dostavljene korpe u aparatu.
- Ne stavljajte preveliku količinu hrane u frižider u isto vreme. Kvalitet hrane se najbolje održava ako se što brže zamrzne. Zbog toga savetujemo da ne prelazite kapacitet aparata koji je naveden na „PRODUCT FICHE” . Da biste smanjili vreme zamrzavanja, pritisnite taster za „brzo zamrzavanje”.
- Sveža hrana ne sme da dođe u kontakt s već zamrznutom hranom.
- Zamrznutu hrana koju ste kupili možete da stavite u zamrzivač a da ne podešavate termostat.
- Ako se datum zamrzavanja ne spominje na pakovanju, molimo uzmite u obzir period od maksimalno 3 meseca kao opšte pravilo.
- Hrana, čak i delimično odmrznuta, ne sme opet da se zamrzava, mora da se pojedje odmah ili skuva i onda zamrzne.
- Gazirana pića ne smeju da se drže u zamrzivaču.
- U slučaju nestanka struje, ne otvarajte vrata aparata. To neće uticati na zamrznutu hranu struje nema manje od 36 časova.

### NE ZABORAVITE!

**Posle 24 časa od kad je hrana stavljena unutra, molimo opozovite „brzo zamrzavanje“ tako da opet pritisnete taster 4 kad se isključi narandžasto svetlo.**

## Odmrzavanje aparata

- Savetujemo Vam da odmrznete zamrzivač bar dva puta godišnje ili kad nivo leda bude previše debeo.
  - Nakupljanje leda je normalna pojava.
  - Količina i brzina nakupljanja leda zavisi o uslovima okoline i učestalosti otvaranja vrata.
  - Savetujemo Vam da odmrznete aparat kad je količina zamrznute hrane najmanja.
  - Pre odmrzavanja, podesite taster termostata na viši položaj tako da hrana zadrži što više hladnoće.
- Isključite aparat.
- Izvadite zamrznutu hranu, zamotajte je u nekoliko listova papira i stavite ih u frižider ili na hladno mesto.
- Uzmite tablu separatora i stavite je pod zamrzivač u smeru creva za kapljanje. Izvadite čep. Voda koja se stvori će se skupljati u posebnu posudu (tabla separatora). Posle odmrzavanja leda i oticanja vode, molimo obrišite krpom ili sunđerom i dobro osušite. Stavite čep nazad na mesto. **(Slika 6)**
- Za brzo topljenje ostavite vrata otvorena.

**Ne koristite metalne predmete za skidanje leda.**

**Ne koristite fenove ili druge električne aparate za grejanje za odmrzavanje.**

## Čišćenje unutrašnjosti

- Pre nego što počnete da čistite, isključite aparat iz struje.
- Savetujemo da čistite aparat kad ga odmrznete.
  - Čistite unutrašnjost mlakom vodom u koju ste dodali malo neutralnog deterdženta. Ne koristite sapun, deterdžent, naftu ili aceton koji mogu da ostave jak miris.
  - Obrišite mokrim sunđerom i osušite mekom krpom.

Za vreme te operacije, izbegnite višak vode da biste sprečili ulazak u termalnu izolaciju aparata, što može da uzrokuje neprijatne mirise.

Nemojte da zaboravite da takođe očistite zaptivač vrata, posebno ispod rebafra, pomoću čiste krpe.

## Čišćenje spoljašnjeg dela

- Očistite spoljašnji deo zamrzivača pomoću sunđera natopljenog u toplu vodu sa sapunicom, obrišite mekom krpom i osušite.
  - Čišćenje spoljašnjeg dela sklopa za hlađenje (kompresor motora, kondenzator, cevi za spajanje) se vrši mekom četkom ili usisivačem. Za vreme ove operacije, pazite da ne poremetite cevi ili otkočite kablove.
- Nemojte da koristite izgrizajuće ili abrazivne materijale!**
- Kad završite s čišćenjem, vratite dodatke na mesto i uključite aparat u struju.

## Vodič za pronalaženje kvarova

**Aparat ne radi.**

- Struja je nestala.
- Utikač strujnog kabla nije umetnut u utičnicu.
- Osigurač je pregoreo.
- Termostat je na položaju „**ISKLJUČENO**“.

**Temperature nisu dovoljno niske**(crvena dioda je uključena).

- Hrana sprečava zatvaranje vrata.
- Aparat nije pravilno postavljen.
- Aparat se nalazi preblizu izvoru toplote.
- Taster termostata nije na tačnom položaju.

**Preterano nakupljanje leda**

- Vrata nisu zatvorena kako treba.

**Sledeće nisu kvarovi**

- Moguće krckanje i puvketanje koje dolazi iz aparata: cirkulacija sredstva za hlađenje u sistemu.

### **Promena lampe za osvetljenje**

Ako lampica pregori, isključite aparat iz električne mreže. Izvadite oblogu lampe. Uverite se da je lampa pravilno zavrnutu. Ponovo uključite aparat. Ako se lampica i dalje ne pali, zamenite je drugim modelom E14-15V. Postavite zadnji deo obloge lampe na njegovo mesto.

Lampa (e) koja se koristi u ovom uređaju nije pogodna za domaćinsko osvetljenje. Namena ove lampe je da pomogne korisniku da stavi namirnice u frižider/zamrzivač na sigurno i udoban način.

Lampe korišćene u ovom uređaju moraju da izdrže ekstremne fizičke uslove, kao što su temperature ispod -20°C.

### **Buka za vreme rada**

Da biste održali temperaturu na vrednosti koju ste podesili, kompresor aparata se povremeno uključuje.

Buka koja može da se čuje u takvoj situaciji je prirodna.

Ona se smanjuje čim aparat dostigne temperaturu rada.


Zujanje proizvodi kompresor. Može da bude malo jače kad se kompresor uključi.

Buka vrenja i kloktanja koja dolazi od rashladnog sredstva koje kola po cevima je normalna buka kod rada.

### **Upozorenje!**

Nikada nemojte sami da pokušavate da popravite aparat ili električne komponente. Bilo kakav popravak od strane neovlašćenog lica je opasan za korisnika i može da dovede do prekida garancije.



Znak  na proizvodu ili pakovanju označava da proizvod ne sme da se tretira kao kućni otpad. Umesto toga, treba da se preda u odgovarajućem centru za reciklažu električne i elektronske opreme. Osiguranjem pravilnog odlaganja ovog proizvoda, pomoćićete u sprečavanju mogućih negativnih posledica na sredinu i zdravlje ljudi, koji bi inače bili uzrokovani neodgovarajućim rukovanjem otpadom ovog proizvoda. Za detaljnije informacije o reciklaži ovog proizvoda, molimo javite se u kancelariju lokalne samouprave, Vašu tvrtku za odlaganje otpada ili trgovinu u kojoj ste kupili proizvod.

## Čestitamo na vašem izboru!

Škrinja zamrzivač koji ste kupili je jedan u BEKO rang u proizvoda i predstavlja harmonično spajanje tehnike frižidera sa estetskim izgledom. On ima novi i atraktivan dizajn i izrađen je prema evropskim i državnim standardima koji garantuju njegov rad i sigurnosna svojstva. U isto vrijeme, korišteni rashladni medij, R600a, je pogodan za okoliš i nema uticaja na ozonski omotač.

Da biste na najbolji način koristili vaš frižider, savjetujemo vam da pažljivo pročitate informacije u ovom uputstvu za korisnika.

## Savjet za recikliranje vašeg starog uređaja

Ako će vaš novi uređaj koji ste kupili zamijeniti neki stari uređaj, morate razmotriti nekoliko aspekata.

Stari uređaji nisu bezvrijedni otpad. Njihovo odlaganje, pored zaštite okoliša, omogućava obnavljanje bitnih sirovina.

Učinite vaš stari uređaj neupotrebljivim:

- isključite aparat sa napajanja;
- uklonite napojni kabal (presjecite ga);
- uklonite eventualne brave na vratima da izbjegnute zatvaranje djece unutra, dok se igraju, kao i dovođenje njihovih života u opasnost.

Rashladni uređaji sadrže izolirajuće materijale i rashladne medije koji zahtijevaju pravilno recikliranje.

**Aparat nije pogodan za upotrebu od strane osoba umanjениh fizičkih, senzornih ili mentalnih sposobnosti ili osoba ograničenog iskustva i znanja, osim pod nadzorom i u skladu sa uputama osobe zadužene za njihovu sigurnost. Potrebno je paziti da se djeca ne igraju sa uređajem.**

## Recikliranje ambalaže

### UPOZORENJE!

**Nemojte dopustiti djeci da se igraju sa ambalažom ili njenim dijelovima. Postoji rizik od gušenja dijelovima valovitog kartona i plastičnom/najlonskom folijom.**

Da bi uređaj došao do vas u ispravnom stanju, on je zaštićen prikladnim pakovanjem. Svi materijali korišteni na pakovanju su kompatibilni sa okolišem i mogu se reciklirati. Molimo vas pomozite nam da recikliramo ambalažu dok štitimo okoliš!

### VAŽNO!

Prije puštanja uređaja u rad, pažljivo i u potpunosti pročitajte ova uputstva. Ona sadrže važne informacije koje se tiču postavljanja, upotrebe i održavanja uređaja. Proizvođač je oslobođen bilo kakve odgovornosti ukoliko se informacije u ovom dokumentu ne slijede. Čuvajte ova uputstva na sigurnom mjestu kako biste ih mogli lako dosegnuti u slučaju potrebe. Ona takođe mogu biti korisne naknadno od strane drugog korisnika.

### PAŽNJA!

**Ovaj uređaj se mora koristiti samo u svrhe za koje je namijenjen, (kućna upotreba), u pogodnim područjima, daleko od kiše, vlage ili drugih vremenskih uslova.**

## Upute za transport

Uređaj se mora transportovati, koliko god je to moguće, samo u uspravnom položaju.

Pakovanje mora biti u savršenom stanju za vrijeme pakovanja.

Ako se uređaj za vrijeme transporta satvi u horisontalan položaj (samo u skladu sa oznakama na pakovanju), preporučuje se da se, prije puštanja u rad, uređaj ostavi da odmara 4 sati kako bi se omogućilo slegnulo kruženje medija.

Na pridržavanje ovih uputstava može uzrokovati kvar kompresora motora i poništavanje njegove garancije.

## Upozorenja i opšti savjet

- Nemojte uključivati uređaj u utičnicu ako ste primjetili kvar.
- Popravak moraju izvoditi samo kvalifikovane osobe.
- U sljedećim situacijama molimo vas isključite uređaj iz elektro mreže:
  - kada u potpunosti odmrzavate uređaj;
  - kada čistite uređaj.

### Da isključite uređaj iz utičnice, povucite za utikač, a ne za kabal!

- Osigurajte minimum prostora između uređaja i zida naspram kojeg je postavljen.
- Nemojte se penjati na uređaj.
- Ne dopustite djeci da se igraju, niti da se skrivaju u uređaju.
- Nikada nemojte koristiti električne uređaje unutar zamrzivača da odmrzavate.
- Nemojte koristiti uređaj u blizini uređaja za grijanje, štednjaka, ili drugih izvora topline ili vatre.
- Nemojte ostavljati vrata zamrzivača otvorenim duže nego je potrebno da stavite ili izvadite hranu.
- Ne ostavljate namirnice u aparat ako nije uključen.
- Ne ostavljajte proizvode koji sadrže zapaljive ili eksplozivne plinove.
- Nemojte držati pjenušava/gazirana pića (đus, mineralnu vodu, šampanjac itd.) u zamrzivaču: flaša može eksplodirati! Nemojte zamrzavati pića u plastičnim flašama.
- Nemojte jesti ledene kocke ili sladoled odmah nakon što ih izvadite iz zamrzivača jer oni mogu izazvati "opekline od smrzavanja".
- Nikada ne dodirujte metalne dijelove ili smrznutu hranu mokrim rukama jer se vaše ruke mogu brzo zalijepiti za veoma hladne površine.
- Radi zaštite uređaja za vrijeme skladištenja i transporta, on je obezbijeđen umetcima između vrata i kabineta (s prednje i stražnje strane). Ove umetke treba ukloniti prije puštanja uređaja u rad.

- Prekomjerni talog leda na okviru i korpama bi trebalo uklanjati redovno pomoću plastične strugalice koja je isporučena. Nemojte koristiti nikakve metalne dijelove da uklanjate led. Pristustvo tih naslaga leda onemogućava pravilno zatvaranje vrata.
- Ako ne koristite vaš uređaj nekoliko dana, isključivanje uređaja nije preporučljivo. Ukoliko uređaj ne koristite na duži period, molimo da se pridržavate sljedećeg:
  - iskopčajte aparat;
  - ispraznite zamrzivač;
  - odmrznite ga i očistite;
  - ostavite vrata otvorena da biste izbjegli stvaranje nerijetkih mirisa.
- Ako je napojni kabal oštećen, mora se zamijeniti od strane proizvođača, njegovog servisnog zastupnika ili osobe sličnih kvalifikacija da biste izbjegli opasnost.
- Ako vaš uređaj ima bravu, držite je zaključanom i ostavite ključ na sigurno mjesto, van dohvata djece. Ako odlažete neki uređaj sa bravom, osigurajte da je brava stavljena van funkcije. To je vrlo važno kako bi se izbjeglo da djeca budu zatvorena unutra, što može prouzrokovati gubitak njihovog života.

## Postavljanje

Ovaj uređaj je dizajniran da radi u ambijentu gdje je temperatura između  $-15^{\circ}\text{C}$  i  $+43^{\circ}\text{C}$ . Ako je temperatura u okolini viša od  $+43^{\circ}\text{C}$ , temperaura unutar uređaja se može povećati.

Postavite uređaj dalje od bilo kojeg izvora topline i vatre. Postavljanje uređaja u toplu prostoriju, direktna izloženost sunčevim zrakama ili u blizina izvora topline (grijalice, štednjaci, pećnice) će povećati potrošnju energije i skratiti vijek trajanja proizvoda.

- Molimo da se pridržavata sljedećih minimalnih udaljenosti:
    - 100 cm od peći na ugalj ili naftu;
    - 150 cm od električnih i plinskih štednjaka.
  - Osigurajte slobodnu cirkulaciju zraka oko uređaja, poštujući udaljenosti prikazane u stavci 2.
- Montirajte na kondenzatoru (na stražnjoj strani) isporučene umetke. (stavka 3).

- Postavite uređaj na savršeno ravno, suho i dobro ventilirano mjesto.
- Montirajte isporučenu dodatnu opremu.

## Električne veze

Vaš uređaj je namijenjen za rad pri monofaznom naponu od 220-240V/50 Hz. Prije uključivanja uređaja, molimo vas uvjerite se da su parametri električne mreže u vašoj kući (napon, struja, frekvencija) u skladu sa radnim parametrima uređaja.

- Informacije vezane za napon napajanja i apsorbovanu snagu date su na etiketi sa oznakama koja se nalazi na stražnjoj strani zamrzivača.
- Električna instalacija mora biti u skladu sa zakonskim potrebama.
- **Uzemljenje uređaja je obavezno. Proizvođač ne snosi nikakvu odgovornost za bilo kakvu povredu/oštećenje osoba, životinja ili dobara koje može biti prouzrokovano propustom i nepoštivanjem specificiranih uslova.**
- Uređaj je isporučen sa napojnim kablom i utikačem (evropski tip, oznaka 10/16A) s dvostrukim kontaktom za uzemljenje radi sigurnosti. Ukoliko utičnica nije istog tipa kao utikač, obratite se kvalifikovanom električaru radi izmjene.
- Nemojte koristiti produžetke ili višestruke adaptere.

## Isključivanje

Isključivanje mora biti moguće vađenjem utikača iz utičnice ili pomoću dvopolne sklopke postavljene prije utičnice.

## Rad

Prije puštanja u rad, očistite unutrašnjost uređaja (vidi poglavlje "Čišćenje"). Nakon dovršavanja operacije čišćenja molimo vas uključite uređaj u utičnicu, podesite tipku termostata u srednji položaj. Zeleni i crveni LED u bloku signaliziranja moraju svijetliti. Ostavite uređaj da radi oko 2 sata bez stavljanja namirnica u njega. Zamrzavanje svježe hrane je moguće nakon minimalno 20 sati rada.



## Opis aparata

(Stavka. 1)

1. Ručka vrata
2. Vrata
3. Kućište sijalice
4. Korpe
5. Proba
6. Kutija termostata
7. Umetci za transport

## Rad zamrzivača

### Podešavanje temperature

Temperatura zamrzivača se podešava pomoću tipke montirane na termostatu (stavka. 4), položaj "MAX" znači najniža temperatura.

Temperature koje se postignu mogu varirati u skladu sa uslovima upotrebe uređaja, kao što su: mjesto uređaja, temperatura okoline, učestalost otvaranja vrata, mjera punjenja zamrzivača hranom. Položaj tipke termostata će se promijeniti u skladu sa ovim faktorima. Obično, za temperaturu okoline od otprilike 32 °C, termostat će biti podešen u srednji položaj.

**Sistem signaliziranja** je smješten na prednjoj strani zamrzivača (Stavka 5).

To uključuje:

1. Tipku za podešavanje termostata - unutrašnja temperatura je podešena.
2. Zeleni LED indikator - pokazuje da se uređaj snabdijeva električnom energijom.
3. Crveni LED – oštećenje – svijetli ukoliko je temperatura zamrzivača previsoka. LED će raditi 15-45 minuta nakon puštanja zamrzivača u rad, zatim se mora ugasi. Ako LED nastavi tokom rada, to znači da se pojavio kvar.
4. Narandžasta tipka – brzo zamrzavanje – pritiskanjem te tipke narandžasti led indikator se pali, pokazujući da je uređaj ušao u režim "brzo zamrzavanje". Izlaz iz ovog režima se vrši pritiskanjem iste tipke ponovo, a narandžasti led indikator se gasi. Tri LED indikatora daju informacije o režimu rada zamrzivača.

## Savjet za konzerviranje hrane

Zamrzivač je namijenjen da održava zamrznutu hranu na duže vrijeme, kao i da zamrzava svježu hranu.

Jedan od glavnih elemenata za uspješno zamrzavanje hrane je pakovanje.

Glavni uslovi koje pakovanje mora ispunjavati su sljedeći: da bude hermetički zatvoreno, da bude inertno prema pakovanoj hrane, da bude otporno na niske temperature, da bude otporno na tečnosti, masnoće, isparavanje vode, mirise, da ga je moguće prati.

Ove uslove ispunjavaju sljedeće vrste pakovanja: plastična/najlonska ili aluminijska folija, plastične i aluminijske posude, papirne čaše ili plastične čaše premazane voskom.

### VAŽNO!

- Za zamrzavanje svježe hrane molimo vas koristite isporučene korpe uređaja.
- Nemojte stavljati u zamrzivač prevelike količine hrane istovremeno. Kvalitet hrane se najbolje očuva ukoliko se ona duboko zamrzne što je brže moguće. Stoga se preporučuje da ne premašujete kapacitet zamrzavanja uređaja koji je specificiran u "PRODUCT FICHE". Da biste skratili vrijeme zamrzavanja, pritisnite tipku za "brzo zamrzavanje".
- Svježa hrana ne smije doći u dodir sa hranom koja je već zamrznuta.
- Zamrznuta hrana koju ste kupili može se staviti u zamrzivač bez potrebe za podešavanjem termostata.
- Ako datum zamrzavanja nije naveden na pakovanju, molimo vas uzmite u obzir period od max. 3 mjeseca, kao neki opšti vodič.
- Hrana, čak i djelimično zamrznuta, ne može biti zamrznuta ponovo, mora se odmah konzumirati ili skuhati i onda ponovo zamrznuti.
- Gazirana i pjenušava pića se ne mogu držati u zamrzivaču.
- U slučaju pada napona, nemojte otvarati vrata uređaja. Na zamrznutu hranu ne bi trebalo biti uticaja ako pad napona traje manje od 36 sati.

**NE ZABORAVITE!**

Nakon 24 sata od momenta kada je hrana stavljena u zamrzivač, molimo otkazite režim "brzo zamrzavanje" ponovnim pritiskanjem tipke 4, kada se narandžasto svjetlo ugasi.

**Odmrzavanje aparata**

- Preporučujemo vam da odmrznete zamrzivač najmanje dva puta godišnje ili kada su naslage leda prevelike debljine.
- Naslaga leda je normalna pojava.
- Količina i brzina stvaranja leda ovisi o uslovima okoline i o učestalosti otvaranja vrata.
- Preporučujemo vam da odmrznete uređaj pri najmanjoj količini zamrznute hrane.
- Prije zamrzavanja, podesite tipku termostata u viši položaj tako da namirnice pohranjuju više hladnoće.

- Isključite uređaj iz utičnice.

- Izvadite zamrznutu hranu, umotajte je u nekoliko slojeva papira i stavite je u frižider ili na hladno mjesto.

Uzmite separatorsku ploču i stavite je ispod zamrzivača u smjeru cijevi za kapanje. Izvadite čep koji zatvara. Voda koja se javlja će biti prikupljena u posebnu posudu (separatorska ploča). Nakon otapanja leda i isticanja vode, molimo vas obrišite krpom ili spužvom, a zatim dobro posušite. Postavite čep za zatvaranje natrag u njegovo ležište. (Stavka. 6)

Za brzo otapanje molimo vas ostavite vrata otvorena.

**Nemojte koristiti oštre metalne predmete da uklanjate led.**

**Nemojte koristiti fenove za kosu ili druge električne uređaje za zagrijavanje da biste odmrzavali.**

**Čišćenje unutrašnjosti**

Prije čišćenja, isključite uređaj iz električne mreže.

- Preporučljivo je da očistite uređaj kada ga odmrzavate.
- Operite unutrašnjost mlakom vodom u koju ćete dodati malo neutralnog deterdženta. Nemojte koristiti sapun, deterdžent, benzin ili aceton koji mogu ostaviti jake mirise.
- Obrišite mokrom spužvom i posušite mekanom krpom.

Za vrijeme ovih radnji, izbjegavajte previše vode, kako biste spriječili njeno prodiranje u termalnu izolaciju uređaja, što bi uzrokovalo neprijatne mirise.

Ne zaboravite očistiti takođe zaptivač na vratima, naročito ispod izbočina, pomoću čiste krpe.

**Čišćenje spoljašnjosti**

- Očistite spoljašnost zamrzivača pomoću spužve umočene u sapunastu toplu vodu, prebrišite mekanom krpom i posušite.
- Čišćenje spoljašnjeg dijela rashladnog kruženja (kompresor motora, kondenzator, priključne cijevi) može se uraditi mekanom četkom ili pomoću usisivača. Molimo da tokom ovog postupka vodite računa da ne iskrivljujete priključne cijevi ili da ne odvajate kablove.

**Nemojte koristiti materijale za čišćenje ili abrazivne materijale!**

- Nakon što završite čišćenje, vratite dodatke na svoje mjesto i uključite uređaj u utičnicu.

## Mijenjanje lampice za osvjetljenje

Ako lampica pregori, isključite aparat iz električne mreže. Izvadite oblogu lampe. Provjerite je li lampa pravilno zavrnutu. Ponovo uključite aparat. Ako se lampica i dalje ne pali, zamijenite je drugim modelom E14-15W. Postavite stražnji dio obloge lampe na njegovo mjesto. Lampa (e) koji se koristi u ovom uređaju nije prikladna za kućno osvjetljenje. Cilj ove lampe je da pomogne korisniku da postavi hranu u hladnjak/zamrzivač na siguran i ugodan način. Lampice koje se koriste u ovom uređaju moraju podnositi ekstremne fizičke uslove kao što su temperature ispod -20°C.

## Vodič za otkrivanje grešaka

### Aparat ne radi.

- Desio se pad napona.
- Utikač napojnog kabla nije priključen u utičnicu na odgovarajući način.
- Osigurač je pregorio.
- Termostat je u položaju „ISKLJ.” („OFF”).

**Temperature nisu dovoljno niske**(crveni LED je uklj.).

- Hrana sprječava zatvaranje vrata.
- Uređaj nije pravilno postavljen.
- Uređaj je postavljen preblizu izvoru topline.
- Tipka termostata nije u ispravnom položaju.

### Prekomjerno stvaranje leda

- Vrata nisu ispravno zatvorena.

### Sljedeće nije greška

- Mogući tragovi ili pukotine koji se javljaju na proizvodu: cirkulacija rashladnog medija u sistemu.

## Buka za vrijeme rada

Da bi se temperatura održavala na vrijednostima koje ste vi podesili, kompresor u uređaju se uključuje periodično.

Buka koja se može čuti u takvoj situaciji je normalna pojava.

Ona se smanjuje čim uređaj dosegne radnu temperaturu.


Brujanje proizvodi kompresor. To može postati malo jače kada se kompresor uključuje.

Buka u vidu ključanja i žuborenja koja dolazi od kruženja rashladnog medija u cijevima uređaja, normalna je buka tokom rada.

## Upozorenje !

Nikada ne pokušavajte sami popravljati uređaj ili njegove električne komponente. Bilo koji popravak načinjen od strane neovlaštene osobe je opasan za korisnika i može rezultirati poništavanjem garancije.



Simbol  na proizvodu ili pakovanju pokazuje da se ovaj proizvod ne može tretirati kao otpad iz domaćinstva. Potrebno ga je odložiti na definirano mjesto radi recikliranja električne i elektronske opreme. Kada se pobrinete da se proizvod odloži na pravilan način, pomoći ćete sprječavanje potencijalno negativnih posljedica po životnu sredinu i zdravlje ljudi, do kojih bi inače došlo nepravilnim odlaganjem proizvoda. Za više detaljnih informacija o recikliranju ovog proizvoda, molimo kontaktirajte lokalni gradski ured, službu za odlaganje kabastog otpada ili prodavnicu u kojoj ste kupili proizvod.

**Ви честитаеме на изборот!**

**Замрзнувачот кој што го купивте е еден од производите на ВЕКО и претставува хармоничен спој на техниката на замрзнување и естетскиот изглед. Има нов и атрактивен дизајн и произведен е спрема Европските и националните стандарди кои го гарантираат неговото функционирање и сигурносните карактеристики. Во исто време, сретството за разладување, R600a, не влијае штетно на околината и на озонската дупка.**

**За да го добиете најдоброто од вашиот замрзнувач, внимателно прочитајте ги информациите кои се дадени во ова упатство.**

### **Совети за рециклирање на стариот апарат**

Ако вашиот нов купен уред го заменува вашиот стар уред, мора да ги имате во предвид следните аспекти:

Стариот уред не е безвреден отпадок. Отстранете го стариот уред според стандардите за рециклирање. Контакттирајте ги локалните институции кои ја имаат таа надлежност.

Вашиот стар уред може да се рециклира. Напревете ги следите чекорите:

- исклучете ја машината од штекер;
- отстранете го струјниот кабел (пресечете го);
- извадете ги бравите од вратата (ако има) за избегнување повреди на деца додека си играат и опасности по нивниот живот. Апаратот содржи изолирачки супстанции и фреон (разладувач) кои бараат правилна рециклажа.

Оригиналните резервни делови ќе ги добивате 10 години по датумот кога е набавен производот.

**Овој уред не е наменет за употреба од страна на лица со намалени физички, сензорни или ментални способности или со недостаток на искуство и знаење, освен кога се надгледувани или им се дадени инструкции за користењето на уредот од страна на лице кое е одговорно за нив.**

**Децата треба да се надгледувани за да не играат со уредот.**

## Рециклирање на пакувачките материјали

### **Внимание!**

Не дозволувајте децата да си играат со пакувачките материјали или со делови од нив. Постои ризик од задушување од картонот или пластичниот филм. За превенција од оштета на уредот за време на транспортот, сите пакувачки материјали се дизајнирани во согласност со рециклирачките барања и за заштита на човековата околина.

### **ВАЖНО!**

Пред да го уклучите уредот, внимателно прочитајте го ова упатство за употреба. Упатството содржи важни информации за инсталацијата, употребата и одржувањето на апаратот.

Произведувачот е ослободен од одговорноста ако не се придржувате на информациите содржани во упатството. Зачувајте го упатството за идни потсетувања.

### **ВНИМАНИЕ!**

**Уредот треба да се користи само за предвидената цел (употреба во домаќинството), на соодветни места, заштитен од дожд, влага или други атмосферски влијанија.**

## Упатство за транспорт

Апаратот треба да се транспортира само во вертикална положба. Кутијата во која што е спакуван апаратот не смее да се оштети за време на транспортот. Транспортот може да се изврши и во хоризонтална позиција во согласност со ознаките на пакувањето. Во оваа ситуација се препорачува да не се користи апаратот најмалку 4 часа за да се стабилизира составот.

Непридржувањето кон овие инструкции може да резултира со оштетување на компресорот и правата на гаранцијата нема да има важност.

## Предупредувања и општи совети

- Не го уклучувајте уредот во струја ако сте приметиле некоја грешка.
  - Поправките треба да ги изведуваат само квалификувани лица.
  - Во следните ситуации, ве молиме да го исклучите уредот од струја:
    - кога го одмрзнувате уредот
    - кога го чистите уредот
- За исклучување на уредот од струја, со едната рака држете го штекерот а со другата повлечете го кабеллот!**
- Обезбедете минимален простор помеѓу уредот и сидот на кој е уредот наслонет.
  - Не се качувајте на уредот.
  - Не им дозволувајте на децата да си играат со уредот или во уредот.
  - Никогаш не користите електрични апарати во замрзнувачот.
  - Не го користите уредот во близина на уреди за грил, шпорет или други извори на топлина и оган.
  - Не го оставајте уредот отворен подолго октоколку што е потребно да поставите храна или да ја извадите.
  - Ако уредот не работи, не поставувајте храна во него.
  - Не чувајте производи во него кои содржат запаливи или експлозивни состојки.
  - Не чувајте газирани пијалоци (сок, минерална вода, шампањ, итн.)- шишињата може да експлодираат! Не замрзнувајте пијалоци во пластични шишиња.
  - Не конзумирајте мраз или сладолед директно по вадењето од замрзнувач,, затоа што може да предизвикаат опекотини поради ниската температура.
  - Никогаш не ги допирајте ладните метални делови со мокри раце, затоа што морките раце може да замрзнат на така ладните површини.
  - За заштита на уредот за време на транспорт и складирање, тој е обезбеден со изолација помеѓу вратата и внатрешноста (на предниот и задниот дел). Оваа изолација треба да се отстрани пред вклучувањето на уредот, и работата со него.

Вишокот на мраз на рамката и полиците треба да се отстранува регуларно со пластичниот алат кој е обезбеден со уредот. Присуството на наталожениот мраз оневозможува правилно затварање на вратата.

- Ако не го користите уредот неколку дена не го исклучувајте од струја. Но ако не го користите подолг период (пр.годишен одмор) , направете го следното:
  - исклучете го уредот од струја;
  - изпразнете го уредот;
  - одмрзнете го и исчистете го;
  - оставете ја вратата отворена да спречите стварање на непријатен мирис.
- Ако кабелот за напојување е оштетен, иститот мора да го сменат производителот, овластен сервисер или слични квалификувани лица за да се избегне ризик.
- Ако вашиот уред има брава за заклучување, држете го заклучен и ставете го клучот на сигурно место подалеку од дофатот на децата. Ако го депонирате уредот, онеспособите ја бравата, за да не може децата да се заглават во него.

## Подесување

Овој уред е дизајниран да работи на температура на околината помеѓу  $-15^{\circ}\text{C}$  и  $+43^{\circ}\text{C}$ . Доколку температурата е над  $+43^{\circ}\text{C}$ , може да се зголеми температурата во уредот.

Уредот поставете го подалеку од топлотни извори. Поставувањето во топла соба, директното изложување на сонце или во близина на радијатор, шпорет, печка, може да ја зголеми потрошувачката на енергија а да го намали векот на трење на уредот.

- Ве молиме да ги одржувате следните минимални растојанија:
    - 100 cm од шпорет на јаглен или уље;
    - 150 cm од електричен и плински шпорет.
  - Осигурајте слободен проток на воздух околу апаратот, придржувајќи се на растојанијата од Првиот дел.
- Споите ги доставените делови за одржување на просторот на кондензаторот (на задната страна) (слика )
- Поставете го уредот на совршено и суво место.

## Електрично приклучување

Вашиот апарат е наменет да работи на еднофазна струја од 220-240V/50 Hz. Пред уклучување на апаратот, ве молиме да внимавате на параметрите на струјата во вашиот дом (напон, тип на струја, фреквенција) да се совпаѓаат со параметрите на уредот.

Информациите за напонот и потрошувачката на енергија се дадени на ознаката која се наоѓа на задната страна на уредот.

- Електричната инсталација мора да ги задоволува законските норми.
- **Заземјувањето на уредот е задолжително. Произведувачот нема да биде одговорен за било каква штета над особите, животните или предметите кои може да бидат последица од непридржувањето кон одредените норми.**
- Уредот е опремен со кабел и утикач (европски тип, означен 10/16 A) со двополен контакт за заземјување поради сигурност. Ако штекерот не е од ист тип како утикачот, побарајте помош од квалификуван електричар за да го замени.
- Не користете продолжен кабел и троштекер.

## Исклучување на уредот

Исклучувањето мора да се изведува со исклучување од штекер со помош на прекинувач со два пола кој се поставува пред штекерот.

## Функционирање

Пред да го уклучите апаратот, исчистете ја внатрешноста на уредот (види „Чистење,..“) По завршувањето на оваа постапка, повторно уклучете го уредот во струја и подесите го копчето на термостатот на средна позиција. Зеленото и црвеното светло на LED мора да светат. Оставете го уредот да работи околу 2 часа без да поставувате храна во него. Замрзнување на свежа храна е возможно после 20 минути работење.

## Опис на уредот

(Дел. 1)

1. Рачка на вратата
2. Врата
3. Куќиште на ламбата
4. Корпи
5. Сад (послужавник)
6. Кутија на термостатот
7. Дел за одржување на растојание за транспорт

## Оперирање на замрзнувачот

### Подесување на температурата

Температурата на замрзнувачот се подесува со копче на термостатот, позиција „MAX“ е најниската температура.

Постигнувањето на температурата е различно и зависи од условите на употреба, како што се: местото на кое е поставен, температурата на околината, зачестеноста на отварањето на вратата, количината на храна и др. Положбата на копчето на термостатот ќе се менува спрема овие фактори. Обично, ако температурата на околината е 32°C, термостатот ќе биде прилагоден на средната позиција.

### Сигналната табла се наоѓа на предниот дел на замрзнувачот

1. Копче за подесување на термостатот - подесување на внатрешната температура.
2. Зелена LED сијалица - покажува дека уредот прима струја.
3. Црвена LED сијалица - свети ако температурата во замрзнувачот е превисока. LED сијалицата ќе свети околку 15-45 минути после вклучувањето на уредот. Ако LED сијалицата се вклучи за време на функционирањето, тоа значи дека има дефект.
4. Портокалово копче - брзо замрзнување - со притискање на портокаловото копче, карактеристиката се вклучува и покажува дека уредот започнал со начинот на работа „брзо замрзнување“. За деактивирање на оваа функција, повторно притиснете го копчето и светлото ќе се исклучи.

Три LED сијалици ви даваат информации за начинот на работењето на уредот.

## Совети за чување храна

Овој уред е наменет за чување на замрзната храна подолг период како и за замрзнување на свежа храна.

Еден од главните елементи за успешно замрзнување е пакувањето.

При пакувањето мора да се запазат следните работи: непропуштањена воздух, отпорни на ниски температури, отпорни на течности, маснотии, водена пареа, мирис и да може да се миат.

Следните типови на пакувања ги задоволуваат горенаведените барања: пластични и алуминиумски фолии, пластични и алуминиумски ќеси, чаши од картон кои се премачкани со восок или пластични чаши.

### **ВАЖНО!**

- За замрзнување на свежа храна, користете ја корпата во уредот.
- Не поставувајте голема количина на храна во уредот истовремено. Квалитетот на храната најдобро се одржува ако замрзнувањето е што побрзо. Затоа се советува да не го преминувате капацитетот на полнење наведен во „Информации за уредот“. За да го намалите времето за замрзнување, притиснете го копчето „брзо замрзнување“.
- Свежата храна не смее да дојде во контакт со веќе замрзнатата храна.
- Замрзнатата храна која сте ја купиле, може да се постави во замрзнувачот без подесување на термостатот.
- Ако на пакувањето не е наведен датумот, како општ податок земете го најмногу три месеци.
- Храната, дури и ако е делумно замрзната, не смее повторно да се замрзнува. Мора да се конзумира или да се приготви па потоа да се замрзнува.
- Газираните пијалоци не смее да се чуваат во замрзнувачот.
- Во случај на прекин на струја, не ја оврајте вратата на замрзнувачот. На смрзнатата храна нема да и биде ништо ако прекилот трае помалку од 36 часа.

**Не заборавајте!**

После 24 часа, откако храната е поставена внатре, прекинете ја функцијата „брзо замрзнување“, со повторно притискање на копчето, со што портокаловото светло ќе се исклучи.

**Одмрзнување на уредот**

- Ве советуваме да го одмрзнете уредот најмалку два пати годишно или кога слојот на мразот е предебел.
  - Насобирањето на мраз е сосема нормално.
  - Количината на формираниот мраз и брзината на неговото создавање зависат од условите и зачестеноста на отварањето на вратата.
  - Ве советуваме да го одмрзнете замрзнувачот кога количината на храна во него е помала.
  - Пред одмрзнувањето, поставете го копчето на термостатот на највисока положба така да храната биде што повеќе замрзната.
- исклучете го уредот од струја.  
 - извадете ја замрзнатата храна, замотајте ја во неколку листови хартија и ставете ја на ладно место.  
 Земете ја разладната плоча и ставите ја под замрзнувачот во правец на цевката за истекување. Извадите го чепот. Водата која истекува ќе се одлева во посебна плоча. После топењето на мразот и истекувањето на водата, избришете го со крпа или сунгер и потоа пребришите за да се исуши. Вратете го чепот назад на местото. (Слика 6)  
 За брзо топење оставете ја вратата отворена.

**Не користите остри метални предмети за отстранување на мразот.**

**Не користите фен за сушење коса или електрични апарати за греење за одмрзнување.**

**Чистење на внатрешноста**

Пред да стартувате со постапката на чистење, исклучете го уредот од штекер.

- Се препорачува да го чистите кога ќе го размрзнете.
- Измиете ја внатрешноста со млека вода во која сте додале природен детергент. Не употребувајте сапун, детергент, ацетон кои може да остават чуден мирис.
- Избришете со влажен сунгер и исушете со мека крпа.

За време на оваа постапка, внимавајте да не навлезе вода во термалната изолација на уредот, која може да предизвика непријатен мирис.

Не заборавајте да ја исчистете решетката на вратата посебно под ребрата со чиста крпа.

**Чистење на надворешноста**

- Чистете ја надворешноста на апаратот со сунгер потопен во млека сапунеста вода и избришете го потоа со сува и нежна крпа.
- Чистењето на надворешноста на компонентите од колото за разладување, (компресорот, кондензаторот, цевките за поврзување) треба да се изведе со употреба на правосмукалка на која ќе ја поставите нежната четка. За време на постапката внимавајте да не ги извлечете каблите или да ги откачете цевките.

**Не употребувајте абразивни сретства и детергенти !**

- После завршувањето на чистењето, вратете ги додатоците на нивното место и конектирајте го во штекер уредот.



## Водич за откривање на дефекти

### Уредот не работи.

- Има прекин на струја.
- Струјниот кабел не е инсериран добро во штекерот.
- Осигурачот е прегорен.
- Термостатот е на „OFF” исклучен.

### Температурата не е доволно ниска (црвено светло на LED уклучено).

- Храната го спречува затварањето на вратата.
- Уредот не е поставен правилно.
- Уредот е поставен многу близу до топлотен извор.
- Копчето на термостатот не е на правилна позиција.

### Прекумерно формирање на мраз

- Вратата не била затворена правилно.

### Следното не претставува дефект

- Можното клатење и удари кои доаѓаат од апаратот: циркулација на сретството за ладење на составот.

## Менување на светилката за осветлување

Ако ламбата изгори, исклучете го апаратот од електричната мрежа. Извадете ја облогата на ламбата. Осигурете се дека ламбата е правилно зезнана. Повторно вклучете го апаратот. Ако светилката сè уште не се запали, заменете ја со друг модел E14-15W. Поставете го задниот дел од облогата на ламбата на своето место. Сијалицата што се користи во овој уред не служи за осветлување на соби во домот. Намената на сијалицата е да му помогне на корисникот да ја стави храната во фрижидерот безбедно и удобно. Сијалиците што се користат во овој производ треба да ги издржуваат екстремните физички услови, како што се температурите под -20° C.

## Бука за време на оперирањето

Во согласност да се одржи подесената температура, компресорот на уредот стартува периодично.

Буката која може да се слушне во вакви ситуации е сосема нормална.

Буката се намалува штом уредот ќе ја постигне температурата на оперирање.

Буката на брчење се прави од компресорот. Постанува малку посилен кога компресорот стартува.

Бучавата од клокотот и шумолењето доаѓаат од циркулацијата на фреонот во цевките на уредот е нормална бучава.

## Предупредување !

Никогаш не се обидувајте сами да го поправате уредот или електричните компоненти. Секоја поправка направена од неавторизирано лице е опасна по животот и може да резултира со понуштување на гаранцијата.



Симболот  на производот или на пакувањето индицира дека производот не треба да се третира како домашен отпад. Треба да се предаде на соодветно место каде што се рециклира електронска и електрична опрема. Со тоа што ќе се осигурате дека производот е отстранет правилно, ќе помогнете во превентирањето на потенцијалните негативни последици врз околината и човековото здравје, кои се предизвикани од неправилно отстранување на производот. За подетални информации во врска со рециклирањето на овој производ, ве молиме контактирајте ги локалните власти, овластени сервисери или продавницата каде што сте го купиле производот.

## Urime për zgjedhjen tuaj!

Arka ngrirëse të cilën e keni blerë gjendet në spektrin e produkteve BEKO dhe përfaqëson një bashkim harmonik të teknikës së ngrirjes me pamjen estetike. Ka një disenjo të ri tërheqës dhe është e konstruktuar sipas normave europiane dhe ndërkombëtare, të cilat garantojnë funksionimin e saj dhe vetitë e sigurisë. Njëkohësisht, mjete ftohës që përdoret, R600a, është ekologjik dhe nuk dëmton shtresën e ozonit.

Për ta përdorur ngrirësin tuaj më së miri, ju rekomandojmë të lexoni me kujdes informacionet në këto udhëzime përdorimi.

## Këshilla për riciklimin e aparatit tuaj të vjetër

Në qoftë se aparati juaj i sapoblerë zëvendëson një aparat më të vjetër, duhet të keni parasysh disa aspekte.

Aparatet e vjetra nuk janë hekurishte pa vlerë. Kthimi i tyre për riciklim jo vetëm e ruan mjedisin, por edhe mundëson nxjerrjen e lëndëve të para të rëndësishme.

Bëjeni aparatin tuaj të vjetër të papërdorshëm:

- shkëputeni aparatin nga burimi i energjisë;
- hiqni kabllon elektrike (priteni);
- hiqni bravat eventuale nga dera për të mënjanuar mundësinë e bllokimit të fëmijëve që luajnë brenda, dhe të rrezikimit të jetës së tyre.

Frigoriferët përmbajnë materiale izoluese dhe mjete ftohëse, të cilave u duhet një riciklim i mirëfilltë.

Pjesët origjinale të ndërrimit do të ofrohen për 10 vite, pas datës së blerjes së produktit.

**Ky aparat nuk parashikohet për përdorim nga persona me aftësi të kufizuara fizike, shqisore ose mendore ose mungesë përvojë dhe njohurie, përderisa nuk mbikëqyren ose udhëzohen për përdorimin e aparatit nga një person përgjegjës për sigurinë e tyre. Fëmijët duhet të mbikëqyren për të siguruar që të mos luajnë me aparatin.**

## **Riciklimi i ambalazhit**

### **KUJDES!**

**Mos lejoni që fëmijë të luajnë me ambalazhin ose me pjesë të tij. Ekziston rreziku i asfiksionit me pjesë të kartonit të valëzuar dhe me fletën e plastikut.**

Për të arritur te ju në gjendje të mirë, aparati u mbrojt me një ambalazh të përshtatshëm. Të gjitha materialet e ambalazhit janë të pajtueshme me mjedisin dhe të riciklueshme. Ju lutem na ndihmoni për ta ricikluar ambalazhin duke e mbrojtur mjedisin!

### **E RËNDESHME!**

Para se ta vini aparatin në përdorim, lexojini këto udhëzime me kujdes dhe në tërësi. Përmbajnë informacione të rëndësishme për ngritjen, përdorimin dhe mirëmbajtjen e aparatit. Prodhuesi është i lirë nga çfarëdo përgjegjësie në qoftë se informacionet në këtë dokument nuk respektohen. Ruajini udhëzimet në një vend të sigurtë për t'i arritur lehtë në rast nevojë. Gjithashtu mund të jenë të dobishme më pas për një përdorues tjetër.

### **KUJDES!**

**Ky aparat duhet të përdoret vetëm për qëllimin e tij të parashikuar (përdorim shtëpiak) në zona të përshtatshme, larg shiut, lagështisë ose kushteve të tjera të motit.**

## **Udhëzime transporti**

Aparati duhet të transportohet sipas mundësisë vetëm në pozitën vertikale. Ambalazhi duhet të jetë në gjendje perfekte gjatë transportit. Në qoftë se gjatë transportit aparati u vendos në pozitën horizontale (vetëm sipas shënimeve mbi ambalazhin), rekomandohet që para vënies në përdorim, aparati të lihet për 4 orë, kështu që qarku ftohës të stabilizohet. Mosrespektimi i këtyre udhëzimeve mund të shkaktojë avarinë e motorkompresorit dhe anulimin e garancisë së tij.

## **Paralajmërime dhe këshilla të veçanta**

- Mos e lidhni aparatin me korrent nëse keni vënë re një defekt.
- Riparimet duhet të bëhen vetëm nga personel i kualifikuar.
- Në situatat vijuese ju lutem hiqeni aparatin nga rrjeti:
  - kur shkruani plotësisht akullin e aparatit;
  - kur e pastroni aparatin.

### **Për ta hequr aparatin nga priza, tërhiqeni fishën, jo kabllon!**

- Siguroni hapësirën minimale midis aparatit dhe murit kundër të cilit është vendosur.
- Mos u ngjitni mbi aparatin.
- Mos lejoni që fëmijë të luajnë ose fshihen brenda aparatit.
- Mos përdorni kurrë aparate elektrike brenda ngrirësit për heqjen e akullit.
- Mos e përdorni aparatin pranë aparateve nxehëse, sobave ose burimeve të tjera nxehëse dhe zjarri.
- Mos lini derën e ngrirësit të hapur më shumë sesa nevojitet për ta vënë ose nxjerrë ushqimin.
- Mos e lini ushqimin në aparat në qoftë se ai nuk punon.
- Mos mbani brenda produkte që përmbajnë gazra të ndezshme ose të shpërthyeshme.
- Mos mbani pije shkumëzuese (lëng, ujë mineral, shampanjë etj.) në ngrirës: shishja mund të shpërthehet! Mos ngrini pije në shishe plastiku.
- Mos hani kube akulli ose akullore menjëherë pas nxjerrjes nga ngrirësi sepse mund të shkaktojnë "ndezje ngrirësi".
- Mos prekni kurrë pjesë metalike ose ushqim të ngrirë me duar të lagështa sepse duart tuaja mund të ngrihen shpejt mbi sipërfaqet shumë të ftohta.
- Për mbrojtjen e aparatit gjatë magazinimit dhe transportit, ai është i pajisur me ndarës midis derës dhe dhomëzës (në anën e përparme dhe në anën e pasme). Këta ndarës do të hiqen para se aparati të vihet në përdorim.

- Depozitimi i tepërt i akullit mbi kornizën dhe koshat duhet të hiqet rregullisht me kruajtësen e furnizuar prej plastiku. Mos përdorni pjesë metalike për ta hequr akullin.

Prania e këtij grumbullimi akulli e bën mbylljen e saktë të derës të pamundur.

- Në qoftë se nuk e përdorni aparatit tuaj për disa ditë, nuk rekomandohet ta fikni. Në qoftë se nuk e përdorni për një periudhë më të gjatë, ju lutem veproni si vijon:

- hiqeni aparatit nga prizat;

- mbylleni ngrirësin;

- shkruani akullin dhe pastrojeni;

- mbajeni derën të hapur për të evituar formimin e erërave të pakëndshme.

- Kablloja elektrike mund të zëvendësohet vetëm nga një person i autorizuar.

- Në qoftë se aparatit juaj ka një bravë, mbajeni të mbyllur dhe ruajeni çelësin në një vend të sigurtë të paarrtshëm për fëmijë. Në qoftë se mënjaroni një aparat me bravë, bëjeni të papërdorshme. Kjo është shumë e rëndësishme për të evituar zënien e fëmijëve brenda, gjë që mund të shkaktojë humbjen e jetës së tyre.

## Përgatitja

Ky aparat u konstruktua për një përdorim në një temperaturë ambiente midis +10°C dhe +43°C (klasa SN-T). Në qoftë se temperatura e ambientit është mbi +43°C, temperatura brenda aparatit mund të rritet.

Ngriteni aparatit larg çdo burimi nxehtësie dhe zjarri. Nëse e vendosni në një dhomë të ngrohtë, ndikimi i drejtpërdrejtë i rrezeve të diellit ose afërsia e një burimi nxehtësie (ngrohëse, soba, furra) do të rrisë harxhimin e energjisë dhe të shkurtojë jetën e produktit.

- Ju lutem respektoni distancat vijuese minimale:

- 100 cm nga soba që funksionojnë me qymyr ose naftë;

- 150 cm nga soba elektrike dhe me gaz.

- Siguroni qarkullimin e lirë të ajrit përreth aparatit duke respektuar distancat në pikën 2.

Montoni ndarësit e furnizuara mbi kondensatorin (mbi anën e pasme) (artikulli 3).

- Vendoseni aparatit në një vend plotësisht të sheshtë, të thatë dhe të ajrosur mirë.

Montoni aksesoret e furnizuar.

## Lidhja elektrike

Aparati juaj parashikohet të funksionojë me një tension njëfazor prej 220-240 V/50 Hz. Para se ta fusni aparatit në prizë, ju lutem vini re që parametrat e rrjetit elektrik në shtëpinë tuaj (tensioni, tipi i korrentit, frekuenca) të përputhen me parametrat e funksionimit të aparatit.

- Informacionet për tensionin e furnizimit dhe energjinë e thithur jepen në etiketën e shënimit, që gjendet mbi anën e pasme të ngrirësit.

- Instalimi elektrik duhet të përputhet me kërkesat e ligjit.

- **Tokëzimi i aparatit është i detyrueshëm. Prodhuesi nuk mban asnjë përgjegjësi për dëme ndaj personave, kafshëve ose sendeve që mund të shkaktohen nga mosrespektimi i kushteve të përcaktuara.**

- Aparati është i pajisur me një kabllo elektrike dhe një fishë (tipi european, i shënuar 10/16A) me kontakt të dyfishtë tokëzimi për siguri. Në qoftë se prizat nuk është tipi i njëjtë si fisha, ju lutem kërkoni nga një elektrikist i specializuar ta ndërrojë.

- Mos përdorni pjesë zgjatjeje ose adaptatorë të shumëfishtë.

## Fikja

Fikja duhet të jetë e mundur duke hequr fishën nga prizat ose me anë të një çelësi dypolësh për rrjetin elektrik të vendosur para prizës.

## Përdorimi

Para vënies në përdorim, pastroni brendinë e aparatit (shih kapitullin "Pastrimi").

Pas mbarimit të pastrimit, futeni fishën e aparatit në prizë dhe rregulloni çelësin e termostatit në një pozitë të mesme. Llamba e gjelbër dhe ajo e kuqe në bllokun e sinjalizimit duhet të ndizen. Lëreni aparatit të punojë për rreth 2 orë pa vënë ushqim brenda.

Ngrirja e ushqimit të freskët është e mundur pas së paku 20 orëve përdorimi.

## **Përshkrimi i aparatit**

(Artikulli 1)

1. Doreza e derës
2. Dera
3. Strehimi i llambës
4. Koshat
5. Govata
6. Kutia e termostatit
7. Ndarësi për transportin

## **Përdorimi i ngrirësit**

### **Përshtatja e temperaturës**

Temperatura e ngrirësit përshtatet me anë të çelësit të montuar mbi termostatit (artikulli 4), ku pozita "MAX" është temperatura më e ulët. Temperaturat e arritura mund të ndryshojnë në varësi të kushteve të përdorimit të aparatit, si: vendi i aparatit, temperatura e ambientit, shpeshtësia e hapjes së derës, përmasa e mbushjes së ngrirësit me ushqim. Pozita e çelësit të termostatit do të ndryshojë sipas këtyre faktorëve. Zakonisht, për një temperaturë ambienti prej rreth 32°C, termostati do të rregullohet në një pozitë mesatare.

**Sistemi i sinjalizimit** vendoset në anën e përparme të ngrirësit (artikulli 5).

Përfshin:

1. Celës për përshtatjen e termostatit - përshtatet temperatura e brendshme.
2. Llamba e gjelbër - tregon që aparati furnizohet me energji elektrike.
3. Llamba e kuqe – dëm – ndizet kur temperatura në ngrirës është tepër e lartë. Llamba ndriçon për 15-45 minuta pas vënies së ngrirësit në përdorim, pastaj duhet të fiket. Në qoftë se llamba vazhdon të ndriçojë gjatë përdorimit, kjo do të thotë që kanë ndodhur defekte.
4. Tasti i portokalltë - ngrirja e shpejtë - me t'u shtypur, ndizet llamba ngjyre portokalli, që tregon që aparati ka hyrë në modin e ngrirjes së shpejtë. Dilni nga ky mod duke e shtypur butonin përsëri, dhe llamba e portokalltë fiket.

Të tri llambat informojnë për modin e funksionimit të ngrirësit.

## **Këshilla për konservimin e ushqimeve**

Ngrirësi synohet ta mbajë ushqimin e ngrirë për një kohë të gjatë si dhe të ngrijë ushqim të freskët.

Njëri nga elementet kryesore për një ngrirje të suksesshme ushqimi është ambalazhimi. Kushtet kryesore që duhet të plotësohen nga ambalazhimi janë si vijon: të jetë hermetik, të mos reagojë me ushqimin e ambalazhuar, të jetë i qëndrueshëm ndaj temperaturave të ulëta, të jetë i papërshkueshëm nga lëngje, yndyra, avuj uji, erëra, të jetë i larshëm. Këto kushte plotësohen nga tipat vijuese ambalazhimi: fleta plastiku ose alumini, enë plastiku dhe alumini, gota nga kartoni i dyllosur ose gota nga plastiku.

### **E RENDESISHME!**

- Për të ngrirë ushqime të freskëta, ju lutem përdorni koshat e furnizuara të aparatit.
- Mos vendosni një sasi tepër të madhe ushqimesh përnjëherë në ngrirës. Cilësia e ushqimit mbahet më mirë kur ngrihet sa më shpejt thellësisht. Prandaj rekomandohet të mos tejkalohe kapaciteti i ngrirjes i aparatit, që përcaktohet në "Fletën e të dhënave teknike të aparatit". Për të reduktuar kohën e ngrirjes, shtypni butonin për "ngrirje të shpejtë".
- Ushqimet e freskëta nuk duhet të hyjnë në kontakt me ushqimet tashmë të ngrira.
- Ushqimet e ngrira, të cilat i keni blerë, mund të vendosen në ngrirës pa nevojë për ta rregulluar termostatit.
- Në qoftë se data e ngrirjes nuk përmendet në ambalazh, ju lutem merrni parasysh një periudhë prej më së shumti 3 muajsh si orientim të përgjithshëm.
- Ushqimet, edhe nëse akulli është vetëm pjesërisht i shkrirë, nuk duhet të ngrihen përsëri, duhet të konsumohen menjëherë ose të gatohen dhe pastaj të ringrihen.
- Pije shkumëzuese nuk duhet të mbahen në ngrirës.
- Në rastin e një ndërprerjeje korrenti, mos hapni derën e aparatit. Ushqimet e ngrira nuk do të prishen në qoftë se ndërprerja zgjat më pak se 36 orë.

**MOS HARRONI!**

24 orë pasi ushqimet u futën brenda, ju lutem anuloni modin e "ngrirjes së shpejtë" duke shtypur butonin 4 përsëri kur të fiket llamba e portokalltë.

**Shkrirja e akullit të aparatit**

- Ju rekomandoni të shkrini akullin e ngrirësit së paku dy herë në vit ose kur shkresa e akullit të jetë tepër e trashë.
- Grumbullimi i akullit është një dukuri normale.
- Sasia dhe shpejtësia e grumbullimit të akullit varet nga kushtet e ambientit dhe nga shpeshësia e hapjes së derës.
- Ju rekomandojmë ta shkrini akullin e aparatit kur sasia e ushqimeve të ngrira është sa më e vogël.
- Para shkrirjes së akullit, rregulloni çelësin e termostatit në një pozitë më të lartë, kështu që ushqimet të ruhen në një temperaturë më të ftohtë.

- Hiqeni aparatin nga priza.

- Nxirrini ushqimet e ngrira, mbështillini në disa fletë letre dhe vendosini në frigorifer ose një vend të ftohtë.

Merrni panelin ndarës dhe vendoseni nën ngrirësin në drejtimin e tubit që pikon ujë. Hiqni shtupën bllokuese. Uji rezultues do të mblidhet në govatën e posaçme (panelin ndarës). Pas shkrirjes së akullit dhe rrjedhjes së ujit, ju lutem fshijeni me një leckë ose me një sfungjer, pastaj thani mirë. Rivendoseni shtupën bllokuese në vendin e vet. (artikulli 6)

Për një shkrirje të shpejtë, ju lutem mësoni derën të hapur.

**Mos përdorni sende të mprehta metalike për ta hequr akullin.**

**Mos përdorni tharëse flokësh ose aparate të tjera elektrike ngrohëse për shkrirjen e akullit.**

**Pastrimi i brendshëm**

Para se ta filloni pastrimin, hiqeni aparatin nga rrjeti.

- Rekomandohet ta pastroni aparatin kur t'ia shkrini akullin.
- Lani brendinë me ujë të vakët, të cilit i shtoni pak detergjent neutral. Mos përdorni sapun, detergjent, benzinë ose aceton, që mund të lëshojë një erë të fortë.
- Fshijeni me një sfungjer të lagësht dhe thajeni me një leckë të butë.

Gjatë kësaj, mos përdorni ujë të tepërt për të parandaluar hyrjen e tij në izolimin termik të aparatit, gjë që do të shkaktonte erëra të pakëndshme.

Mos harroni të pastroni edhe shtuposjen e derës, sidomos brinjët e gjyrykta, me anë të një leckë të pastër.

**Pastrimi i jashtëm**

- Pastroni anën e jashtme të ngrirësit me anë të një sfungjeri të qullur në ujë të ngrohtë me sapun, fshijeni me një leckë të butë dhe thajeni.

- Pastrimi i pjesës së brendshme të qarkut ftohës (motorkompresori, kondensatori, tubat e lidhjes) bëhet me një furçë të butë ose me fshesën elektrike. Gjatë kësaj, ju lutem vini re t'i mos shtrembëroni tubat dhe t'i mos shkëputeni kabllot.

**Mos përdorni materiale fërkuese ose gërryese!**

- Pas mbarimit të pastrimit, rivendosini aksesorët në vendin e tyre dhe futeni fishën e aparatit në prizë.

## Udhëzues për gjetje defektesh

### Aparati nuk punon.

- Ka një ndërprerje korrenti.
- Fisha e kabllës elektrike nuk është futur mirë në prizë.
- Siguresa është djegur.
- Termostati është në pozitën e **FIKUR**.

### Temperaturat nuk janë mjaft të ulëta (llamba e kuqe e ndezur).

- Ushqimet pengojnë mbylljen e derës.
- Aparati nuk u vendos në mënyrë të saktë.
- Aparat është vendosur tepër afër një burimi nxehtësie.
- Celësi i termostatit nuk është në pozitën e saktë.

### Grumbullim i tepërt akulli

- Dera nuk u mbyll mirë.

### Dukuritë vijuese nuk janë defekte

- Dridhje dhe kërcitje të mundshme që vijnë nga produkti: qarkullimi i mjetit ftohës në sistem.

## Ndërrimi i llambës së ndriçimit

Nëse llamba digjet, shkëputeni pajisjen nga rrjeti elektrik. Hiqni zbukurimin e llambës. Sigurohuni që llamba të jetë vidhosur si duhet. Lidhni pajisjen përsëri. Nëse llamba ende nuk ndizet, zëvendësojeni atë me një model tjetër E14-15W. Montoni përsëri zbukurimin e llambës në vendin e saj.

Llamba(t) e përdorur në këtë pajisje nuk është e përshtatshme për ndriçimin e dhomave të shtëpisë. Qëllimi i kësaj llambe është të ndihmojë përdoruesin të vendosë ushqime në frigorifer/ngrirës në një mënyrë të sigurt dhe të lehtë.

Llambat e përdorura në këtë pajisje duhet t'i rezistojnë kushteve fizike ekstreme si temperaturat nën -20°C.

## Zhurma gjatë përdorimit

Për ta mbajtur temperaturën në vlerën të cilën e keni rregulluar, kompresori i aparatit nis periodikisht.

Zhurmat që mund të dëgjohen në një situatë të tillë janë normale.

Ulen sapo të krijohet temperatura e funksionimit në aparat.


Zhurma gumëzhuese bëhet nga kompresori. Mund të bëhet pak më e fortë kur kompresori nis.

Zhurmat gurgulluese që vijnë nga mjeti ftohës, që qarkullon në tubat e aparatit, janë zhurma normale të funksionimit.

## Kujdes!

Mos u përpiqeni kurrë të riparoni vetë aparatit ose komponentet e tij elektrike. Cdo riparim i kryer nga një person i paautorizuar është i rrezikshëm për përdoruesin dhe mund të çojë deri tek anulimi i garancisë.



Simboli  mbi produktin ose mbi ambalazhin tregon që ky produkt nuk duhet të trajtohet si mbeturinë shtëpiake. Në vend të kësaj duhet të dorëzohet në pikën e përshtatshme mbledhëse për riciklimin e aparateve elektrike dhe elektronike. Duke siguruar që ky produkt të mënjanohet siç duhet, ndihmoni të parandalohen pasoja të mundshme negative për mjedisin dhe shëndetin e njeriut, që mund të shkaktohen përndryshe nga trajtimi i papërshtatshëm i mbeturinave të këtij produkti. Për informacione më të hollësishme për riciklimin e këtij produkti, ju lutem kontaktoni zyrën lokale të qytetit tuaj, shërbimin tuaj të mënjanimin të mbeturinave shtëpiake ose dyqanin në të cilin e keni blerë produktin.

### ***Вітаємо із вдалим вибором!***

Придбана вами морозильна скриня належить до асортименту продукції ВЕКО і являє собою гармонійне поєднання холодильної техніки з естетичним зовнішнім виглядом. Вона має новий привабливий дизайн і виготовлена відповідно до європейських і національних стандартів, що гарантують її робочі характеристики й безпеку експлуатації. Крім того, використаний холодоагент R600a не забруднює довкілля і не становить загрози для озонового шару.

Щоб найкращим чином користуватися морозильною скринєю, радимо вам уважно прочитати інформацію, яка міститься у цих інструкціях користувача.

### ***Рекомендації щодо утилізації вашого старого пристрою***

Якщо новопридбаний пристрій замінюватиме старий, рекомендуємо вам зважити на кілька аспектів.

Старі побутові прилади не є брудом, який нічого не вартий. Їхня утилізація без шкоди довкіллю дозволяє повторно використати важливі сировинні матеріали.

Виведіть з ладу старий прилад:

- від'єднайте прилад від електромережі;
- зніміть шнур живлення (відріжте його);
- зніміть замки на дверцятах (якщо вони є), щоб запобігти зачиненню дітей всередині під час ігор і безпеці для їхнього життя.

Холодильні прилади містять ізоляційні матеріали й холодоагенти, які підлягають утилізації відповідним чином.

Оригінальні запасні частини будуть постачатися протягом 10 років з моменту придбання виробу.

**Пристрій не призначений для використання людьми зі зниженими фізичними або розумовими здібностями, а також порушеннями чутливості. Люди, що не мають досвіду поводження з даними пристроєм, можуть використовувати його лише під наглядом досвідчених осіб, відповідальних за безпеку. Використання пристрою дітьми також має відбуватися під контролем дорослих.**



## Утилізація упаковки

### **ЗАСТЕРЕЖЕННЯ!**

Не дозволяйте дітям гратися з упаковкою або з її частинами. Існує небезпека задушення деталями гофрованого картону та пластиковою плівкою.

Для забезпечення доставки вам пристрою у нормальному стані його захищено відповідною упаковкою. Усі матеріали упаковки сумісні з довіллям і підлягають повторній переробці. Просимо вас сприяти повторній переробці упаковки для захисту довкілля!

### **ВАЖЛИВО!**

Перш ніж розпочати експлуатацію приладу, уважно і повністю прочитайте ці інструкції. Вони містять важливу інформацію щодо встановлення, користування й обслуговування пристрою.

Виробник не несе жодної відповідальності у разі недотримання інструкцій, викладених у цьому документі. Збережіть ці інструкції в надійному місці, щоб вони були під рукою у разі необхідності. Вони можуть знадобитися згодом іншому користувачеві.

### **УВАГА!**

Цей прилад слід використовувати тільки за прямим призначенням (у побуті), у відповідних приміщеннях, захищених від дощу, вологи та інших атмосферних впливів.

## Інструкції з транспортування

Прилад слід транспортувати, наскільки можливо, тільки у вертикальному положенні. Під час транспортування упаковка має бути в ідеальному стані. Якщо під час транспортування прилад знаходився у горизонтальному положенні (тільки відповідно до маркування на упаковці), рекомендується, щоб до початку експлуатації його було залишено в спокійному стані на 4 годин, для осадження охолоджувального контуру. Недотримання цих інструкцій може спричинити поломку двигуна-компресора та анулювання гарантії.

## Застереження та загальні поради

- Не вмикайте пристрій, якщо ви помітили несправність.
- Ремонтні роботи мають здійснюватися тільки кваліфікованим персоналом.
- Від'єднуйте пристрій від електромережі в наступних ситуаціях:
  - під час повного розморожування пристрою;
  - під час чистки пристрою.

### **Щоб вимкнути прилад з електромережі, тягніть за штепсель, а не за кабель!**

- Забезпечте мінімальну відстань між пристроєм і стіною, до якої він приставляється.
- Не ставайте на пристрій.
- Не дозволяйте дітям гратися або ховатися всередині пристрою.
- Не користуйтеся електричними приладами всередині морозильної скрині для розморожування.
- Не встановлюйте пристрій поруч із обігрівачами, плитами або іншими джерелами тепла та вогню.
- Не залишайте дверцята відчиненими довше, ніж потрібно для того, щоб покласти або вийняти продукти.
- Не залишайте продукти в приладі, якщо він не працює.
- Не зберігайте в морозильній скрині продукти, що містять займисті або вибухові гази.
- Не зберігайте в морозильній скрині газовані напої (соки, мінеральну воду, шампанське тощо): пляшка може розірватися! Не заморожуйте газовані напої у пластикових пляшках.
- Не їжте кубики льоду або лід одразу після виймання їх із морозильної скрині, оскільки це може спричинити опіки обморожуванням.
- Не торкайтеся холодних металічних частин або заморожених продуктів вологими руками, тому що руки можуть швидко примерзнути до охолоджених поверхонь.
- Для захисту виробу протягом зберігання на складі і транспортування його оснащено розпірками між дверцятами та корпусом (спереду і ззаду). Ці розпірки слід прибрати перед тим, як почати експлуатацію пристрою.
- Для запобігання нещасним випадкам, якщо шнур живлення пошкоджений, його має замінити виробник, його спеціаліст з сервісу чи інша особа, котра має аналогічну кваліфікацію.

- Надмірні відкладення льоду на корпусі та на корзинах слід регулярно видаляти за допомогою пластмасового шкребка, що постачається в комплекті. Не використовуйте жодних металічних предметів для видалення льоду. Наявність такого льоду не дозволяє зачинити дверцята належним чином.
- Якщо ви не користуєтеся пристроєм протягом кількох днів, не рекомендується вимикати його. Якщо ви не користуєтеся ним протягом більш тривалого часу, дійте наступним чином:
  - від'єднайте пристрій від електромережі;
  - спорожніть морозильну скриню;
  - розморозьте та вимийте її;
  - залиште дверцята відчиненими, щоб уникнути неприємних запахів.
- Для запобігання нещасним випадкам, якщо шнур живлення пошкоджений, його має замінити виробник, його спеціаліст з сервісу чи інша особа, котра має аналогічну кваліфікацію.
- Якщо пристрій має замок, тримайте його замкненим і зберігайте ключ у надійному, недоступному для дітей місці. Якщо ви утилізуєте пристрій із замком, обов'язково виведіть його з ладу. Це дуже важливо для того, щоб унеможливити зачинення дітей всередині, що може спричинити їхню загибель.

## **Встановлення**

Цей пристрій розроблено для експлуатації при температурі навколишнього середовища від  $-15^{\circ}\text{C}$  до  $+43^{\circ}\text{C}$ . Якщо навколишня температура буде вища за  $+43^{\circ}\text{C}$ , температура всередині приладу може піднятися.

Пристрій слід встановлювати на відстані від будь-яких джерел тепла та полум'я. Встановлення його у теплій кімнаті, під прямим сонячним промінням чи біля джерел тепла (обігрівачі, кухонні плити, печі) підвищить енергоспоживання та скоротить строк служби вашого приладу.

- Дотримуйтесь наступних мінімальних відстаней:
  - 100 см від печей, що працюють на вугіллі або на пальному;
  - 150 см від електричних та газових плит.
- Забезпечте вільну циркуляцію повітря навколо приладу, дотримуючись відстаней, вказаних на поз. 2. Установіть на конденсаторі (на задній стінці) розпірки, що постачаються в комплекті. (Поз. 3).
- Розміщуйте прилад на ідеально рівній поверхні, на сухому та добре провітрюваному місці. Встановіть приналежності, що входять до комплекту.

## **Підключення до електромережі**

Ваш прилад призначений для роботи від однофазного струму напругою 220-240 В / 50 Гц. Перш ніж підключати прилад, перевірте, щоб параметри електромережі вашого помешкання (напруга, тип струму, частота) відповідали експлуатаційним параметрам приладу.

- Інформація стосовно напруги живлення та потужності споживання наведена на маркувальній етикетці на задній стінці морозильної скрині.
- Електричне підключення має відповідати діючим нормам.
- **Заземлення приладу є обов'язковим. Виробник не несе жодної відповідальності за будь-яку шкоду, заподіяну людям, тваринам або майну внаслідок невиконання наведених умов.**
- Прилад оснащений шнуром живлення та штепселем (європейського типу, з маркуванням 10/16А) з подвійним заземлюючим контактом для захисту. Якщо розетка не однакового типу із штепселем, зверніться до кваліфікованого спеціаліста, щоб замінити її.
- Не користуйтеся подовжувачами та перехідниками на кілька гнізд.

## Вимкнення

Вимкнення має бути можливим шляхом виймання штепселя з розетки, або за допомогою мережевого двополюсного вимикача, розташованого до розетки.

## Експлуатація

Перед першим увімкненням вимийте пристрій всередині (див. розділ „Чистка”). Після цього увімкніть пристрій до електромережі та встановіть ручку термостата в середнє положення. Повинні засвітитися зелений і червоний світлодіоди на сигнальному блоці. Дайте пристрою попрацювати приблизно 2 години, не розміщуючи продукти всередині. Заморожування свіжих продуктів можливе після мінімум 20 годин роботи.

## Опис приладу

(Поз. 1)

1. Ручка дверцят
2. Дверцята
3. Корпус лампочки
4. Корзини
5. Лоток
6. Блок термостата
7. Розпірка для транспортування

## Робота морозильного відділення

### Регулювання температури

Температура морозильної скрині регулюється за допомогою ручки, встановленої на термостаті (**поз. 4**), де положення „MAX” є найнижчою температурою.

Досягнута температура може змінюватися відповідно до умов використання приладу, наприклад: розташування приладу, навколишня температура, частота відкриття дверцят, ступінь завантаження продуктами. Відповідно до цих факторів змінюється положення ручки термостата. Як правило, в умовах навколишньої температури приблизно 32<sup>0</sup>C, термостат устанавлюється в середньому положенні.

**Сигнальна система** розташована на передньому боці приладу (**поз. 5**).

До неї входять:

1. Ручка регулювання термостата – регулює внутрішню температуру.
2. Зелений світлодіод – показує, що прилад підключено до електроенергії.
3. Червоний світлодіод – пошкодження – вмикається, якщо температура в морозильній скрині занадто висока. Світлодіод світитиметься 15-45 хвилин після ввімкнення морозильної скрині, згодом він згасне. Якщо світлодіод вмикається під час роботи, це означає, що сталася несправність.
4. Світлодіодна Orange-швидкої заморозки, включена функція - шляхом устанавки ручки Superfreeze позиції помаранчевий індикатор буде на, показуючи, що прилад, внесених до «швидкої заморозки» режимі. Вихід цього режиму здійснюється автоматично після 50 годин, то прилад працює в економічному режимі, а помаранчевий світлодіод гасне.

Три світлодіоди надають інформацію про режим роботи морозильної скрині.

## **Рекомендації щодо зберігання продуктів**

Морозильна скриня призначена для довгого зберігання заморожених продуктів, а також для замороження свіжих продуктів. Одним з головних елементів успішного заморожування продуктів є пакування. Пакування має відповідати таким основним вимогам: бути непроникним для повітря, бути інертним відносно до продуктів, що зберігаються, витримувати низькі температури, не пропускати рідини, жири, водяну пару, запахи, а також повинне митися.

Цим вимогам відповідають наступні типи пакування: пластикова плівка та алюмінієва фольга, пластикові й алюмінієві ємності, паперові чи пластикові склянки.

### **ВАЖЛИВО!**

- Для заморожування свіжих продуктів використовуйте корзини, що входять до комплекту.
- Не розміщуйте в морозильній скрині занадто багато продуктів одночасно. Якість продуктів підтримується найкращим чином, якщо вони заморожені глибоко та якнайшвидше. Тому рекомендується не перевищувати морозильну потужність приладу, вказану в „Технічних характеристиках”.
- Свіжі продукти не повинні торкатися вже заморожених продуктів.
- Заморожені продукти, придбані в магазині, можна покласти до морозильного відділення, не регулюючи ручку термостата.
- Якщо дата заморожування не вказана на упаковці, вважайте періодом зберігання максимум 3 місяці (як загальне правило).
- Будь-які продукти, розморожені навіть частково, не слід заморожувати знову, їх необхідно негайно вжити або приготувати й потім знову заморозити.
- Газовані напої не можна зберігати в морозильному відділенні.
- У разі порушення електропостачання не відчиняйте дверцята приладу. Якщо електроенергія відсутня протягом 36 годин, це не вплине на заморожені продукти.

### **ВАЖЛИВО!**

Коли ви ставите ручку в положення Superfrost, компресор може не переходити в протягом декількох хвилин. Це пов'язано з інтегрованою зростання затримки перемикач, який призначений для збільшення терміну служби холодильної установки.

## Розморожування приладу

- Ми рекомендуємо розморожувати морозильну скриню щонайменше двічі на рік або коли шар льоду стане занадто товстим.
  - Утворення льоду є нормальним явищем.
  - Кількість і швидкість утворення льоду залежить від умов навколишнього середовища та від частоти відчинення дверцят.
  - Ми рекомендуємо здійснювати розморожування, коли всередині знаходиться найменша кількість заморожених продуктів.
  - Перед розморожуванням переведіть ручку термостата на найхолоднішу температуру, щоб більше охолодити продукти, що зберігаються.
    - Від'єднайте прилад від електромережі.
    - Дістаньте заморожені продукти, загорніть їх у декілька аркушів паперу та покладіть до холодильника або в холодне місце. Візьміть сепараторну панель і поставте її під морозильник у напрямку стічної трубки. Вийміть зливну пробку. Вода, що стікатиме, буде зібрана в спеціальний лоток (сепараторну панель). Після танення льоду та стоку води витріть усе тканиною або губкою, потім добре висушіть. Встановіть зливну пробку на місце. **(Поз. 6)**
- Для пришвидшення танення льоду залиште дверцята відчиненими.

**Не використовуйте гострі металічні предмети для видалення льоду. Не користуйтеся фенами або іншими електричними обігрівальними приладами для розморожування.**

## Внутрішня чистка

Перш ніж вдаватися до чистки, від'єднайте прилад від електромережі.

- Рекомендується проводити чистку приладу під час його розморожування.
- Вимийте всередині теплою водою з додаванням нейтрального миючого засобу. Не користуйтеся милом, миючим засобом, бензином або ацетоном, які можуть залишити сильний запах.

- Витріть вологою губкою і м'якою тканиною. Під час цієї операції уникайте надмірної кількості води, щоб запобігти її потрапляння в термоізоляцію приладу, що може спричинити утворення неприємних запахів. Не забудьте очистити ущільнювач дверцят, зокрема, його гофровані кромки, за допомогою чистої тканини.

## Зовнішня чистка

- Вимийте зовнішні поверхні за допомогою губки, вмоченої в теплій мильній воді, а потім витріть м'якою сухою тканиною.
- Чистка зовнішньої сторони холодильного контуру (двигун-компресор, конденсатор, з'єднувальні трубки) здійснюється за допомогою м'якої щітки або пилососа. Під час цієї операції будьте обережні, щоб не пошкодити трубки або не розірвати кабелі. **Не користуйтеся абразивними порошками або абразивними матеріалами!**
- Закінчивши чистку, поверніть приналежності на свої місця та підключіть прилад до електромережі.

## Заміна лампочки внутрішнього освітлення

Якщо лампочка перегоріла, від'єднайте прилад від електромережі. Вийміть цоколь лампочки. Переконайтесь, що лампочка вкручена належним чином. Увімкніть прилад у електромережу. Якщо лампочка все ще не працює, замініть її новою, моделі E14-15W. Установіть цоколь лампочки на місце.

Ламп(и) з цього пристрою не призначена(и) для освітлення кімнати. Призначення цієї лампи - полегшити розташування продуктів у холодильнику / морозильнику безпечним та зручним чином.

Лампи, що використовуються у цьому пристрої, повинні витримувати важкі умови експлуатації, такі як температура нижче -20°C.

## Пошук та усунення несправностей

### Прилад не працює.

- Відсутність електроживлення.
- Штепсель шнура живлення не вставлено до розетки, як слід.
- Перегорів плавкий запобіжник.
- Термостат знаходиться в положенні **OFF (ВИМК.)**.

### Температура недостатньо низька (світиться червоний світлодіод).

- Продукти заважають зачинити дверцята.
- Прилад не встановлений правильно.
- Прилад встановлений занадто близько до джерела тепла.
- Ручка термостата знаходиться в невірному положенні.

### Надмірне утворення льоду

- Дверцята погано зачинені.

### Не працює внутрішнє освітлення

Лампочка перегоріла. Від'єднайте прилад від електромережі, викрутіть лампочку і замініть новою.

### Наступні ознаки не є дефектами

- Можливі шуми клацання й потріскування від приладу: циркуляція холодоагенту в системі.

## Шуми під час роботи

Для підтримання температури на рівні заданого вами значення компресор приладу періодично запускається.

Шуми, які можна почути в цій ситуації, є нормальними.

Вони зменшуються, як тільки прилад досягає робочої температури.


Шум гудіння спричиняється компресором. Він може збільшуватися під час запуску компресора.

Шуми булькання та дзюрчання, спричинені циркуляцією холодоагенту в трубках приладу, є нормальними робочими шумами.

### **Попередження!**

Не намагайтеся відремонтувати прилад або електричні компоненти самостійно! Будь-який ремонт, що виконується некваліфікованою особою, є небезпечним для користувача, і може призвести до анулювання гарантії.



Символ  на виробі чи упаковці вказує, що цей прилад не слід утилізувати з побутовими відходами. Натомість його слід здати на відповідний пункт збору для утилізації електричного та електронного обладнання. Забезпечуючи належну утилізацію цього приладу, ви сприятимете запобіганню потенційним негативним наслідкам для довкілля та здоров'я людей, які можуть бути спричинені неправильним ставленням до утилізації цього виробу. За більш докладною інформацією щодо утилізації цього виробу зверніться до місцевої адміністрації, служби утилізації побутових відходів або до магазину, в якому ви придбали прилад.



