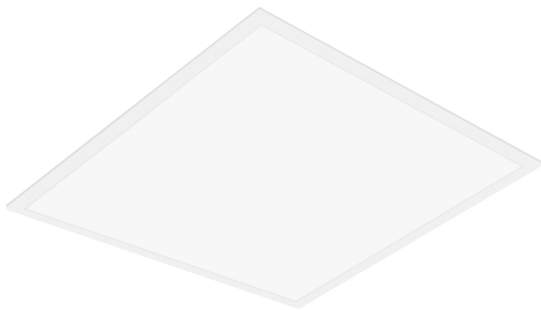


PRODUCT DATASHEET

PANEL VAL 600 36 W 4000 K WT

PANEL VALUE 600 | Square recessed panel luminaires, 600 x 600 mm



Areas of application

- Direct replacement for luminaires with fluorescent lamps
- Offices, conference rooms
- Reception areas, foyers, corridors, elevators
- Suitable for recessed ceiling systems with grid size of 600 x 600 mm

Product benefits

- Value for money luminaire
- Low flicker light thanks to special electronic control gear
- Energy savings thanks to system efficacy of up to 100 lm/W
- External driver for extended flexibility and easy installation
- Versions with DALI ECG available

Product features

- Lifetime (L70/B50): up to 50,000 h (at 25 °C)
- Extruded aluminum frame
- Polystyrene diffuser



TECHNICAL DATA

Electrical data

Nominal wattage	36.00 W
Operating mode	External LED driver
Nominal voltage	220...240 V
Nominal current	170 mA
Inrush current	10.4 A
Inrush current time T_{h50}	200 μ s
Power factor λ	> 0,90
Max. no. of lum. on circuit break. B16 A	19
Max. no. of lum. on circuit break. C10 A	19
Max. no. of lum. on circuit break. C16 A	30
Total harmonic distortion	< 15 %

Luminaire control gear data

Low flicker	Yes
ECG - Output ripple current	\leq 5 %

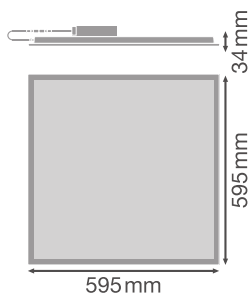
Photometrical data

Color temperature	4000 K
Luminous flux	3600 lm
Luminous efficacy	100 lm/W
Light color (designation)	Cool White
Standard deviation of color matching	5 sdc _m
Color rendering index Ra	> 80

Light technical data

Beam angle	120 °
------------	-------

Dimensions & weight



Length	595.00 mm
Height	35.00 mm
Width	595.00 mm
Mounting length	580 mm
Mounting width	580 mm
Product weight	1800.000 g

Colors & materials

Body material	Aluminum
Product color	White
Housing color	White
Cover material	Polystyrene (PS)
Light emitting surface material	Polystyrene

Temperatures & operating conditions

Ambient temperature range	-10...+45 °C
---------------------------	--------------

Lifespan

Number of switching cycles	25000
Lifespan	50000 h
Lifespan L70/B50 at 25 °C	50000 h
Lifespan L80/B10 at 25 °C	50000 h
Lifespan L90/B10 at 25 °C	30000 h

Additional product data

Mounting location	Ceiling / Wall
Low flicker	Yes



Product remark	Available from February 2020
----------------	------------------------------

Capabilities

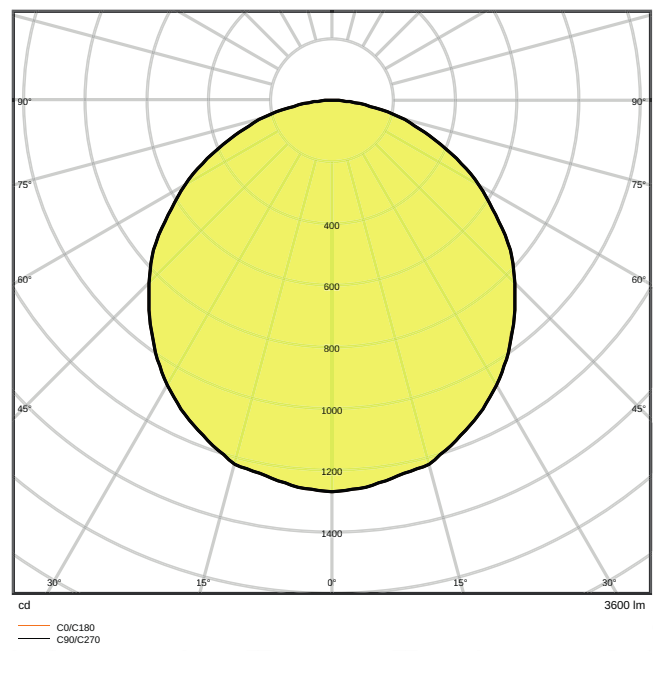
Dimmable	No
Type of connection	Screwless terminal
ErP LEDmod replaceable	Not replaceable
Ball shot safe	No

Certificates & standards

Protection class IK (shock resistance)	IK02
Glow Wire Test according to IEC 69	650 °C
Protection class	II
Type of protection	IP40
Standards	CE / CB / EAC / RoHS



LDC typ cone



LDC typ polar









EQUIPMENT / ACCESSORIES

- Accessories for several mounting options available



- External control gear included
- Security brackets included

DOWNLOAD DATA

DOWNLOAD DATA	
	User instruction PL VAL UI
	Tender documents Tender Text 4058075392380
	Declarations of conformity PL VAL
	IES file (IES) PL VAL 600 36W 4000K
	LDT file (Eulumdat) PL VAL 600 36W4000K
	R3D file (Relux 3D Model) PANEL VALUE 600
	M3D file (3D Model) PANEL VALUE 600
	UGR file (UGR table) PL VAL 600 36W 4000K

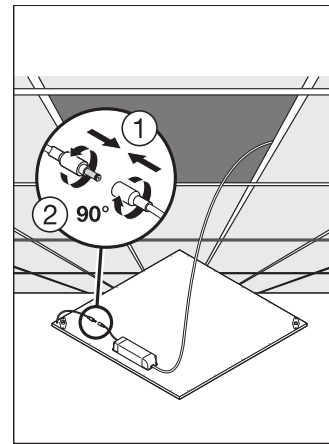
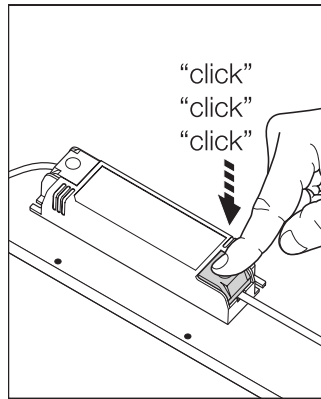
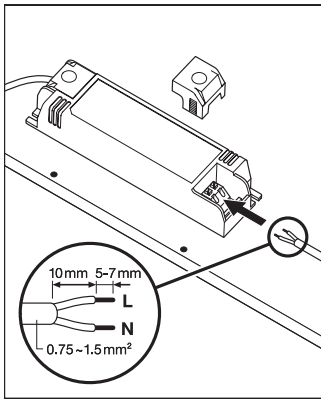
LOGISTICAL DATA

Product code	Packaging unit (Pieces/Unit)	Dimensions (length x width x height)	Gross weight	Volume
4058075392380	Folding box 1	602 mm x 40 mm x 648 mm	2192.00 g	15.60 dm ³
4058075392397	Shipping box 4	667 mm x 182 mm x 634 mm	10015.00 g	76.96 dm ³

The mentioned product code describes the smallest quantity unit which can be ordered. One shipping unit can contain one or more single products. When placing an order, for the quantity please enter single or multiples of a shipping unit.

ADDITIONAL CATALOG INFORMATION





References / Links

- For Guarantee see www.ledvance.com/guarantee

DISCLAIMER

Subject to change without notice. Errors and omission excepted. Always make sure to use the most recent release.

