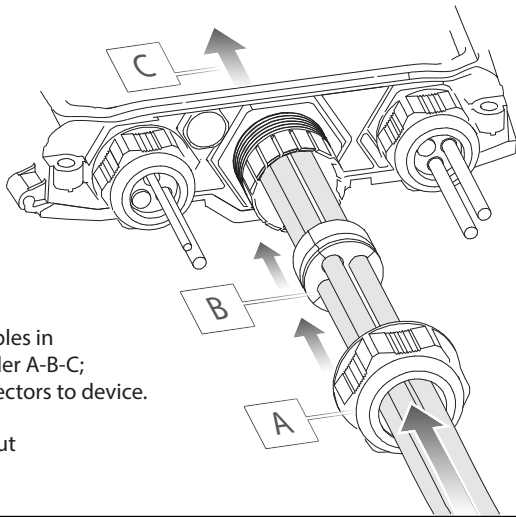


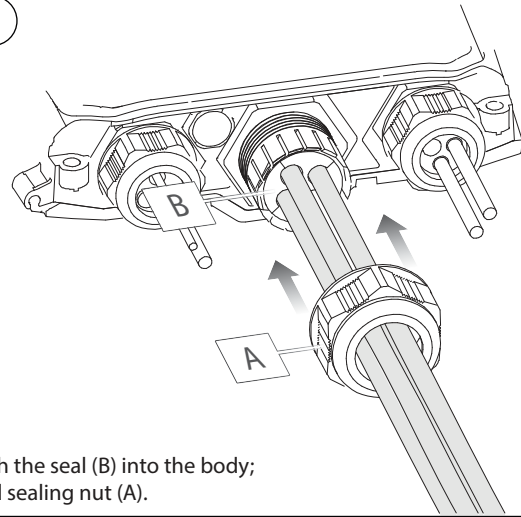
1



Insert the cables in the given order A-B-C; Plug in connectors to device.

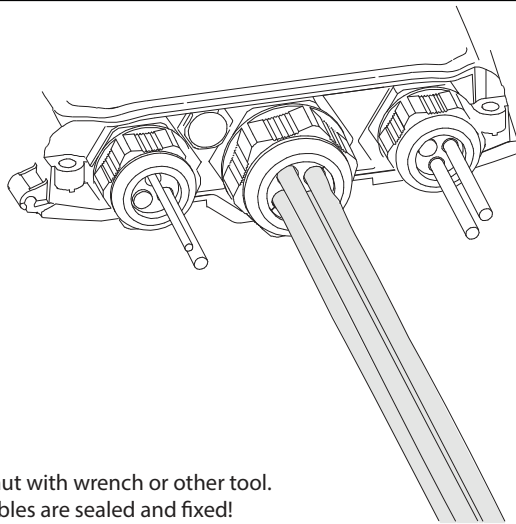
A - Sealing Nut
B - Seal
C - Body

2



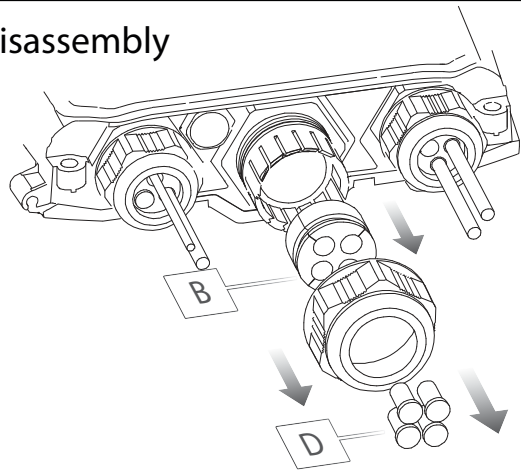
Push the seal (B) into the body; Add sealing nut (A).

3



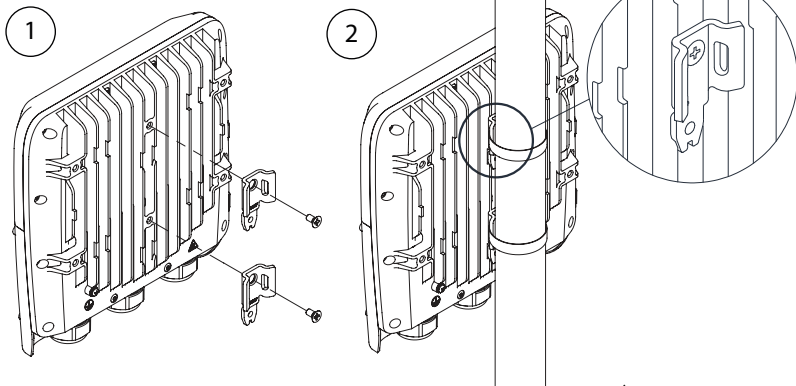
Tighten the nut with wrench or other tool. Make sure cables are sealed and fixed!

Disassembly



Use the sealing plugs (D) for unused holes (B).

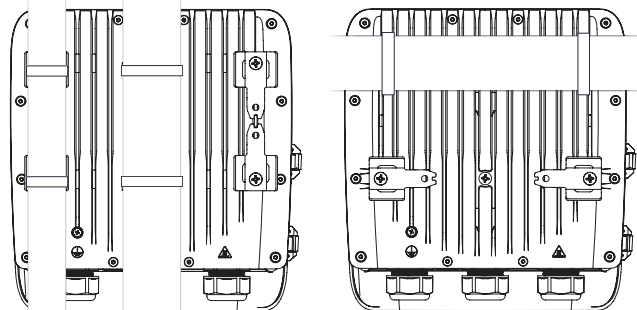
Pole mounting



* Orient product vertically and follow the UP arrow inside the case

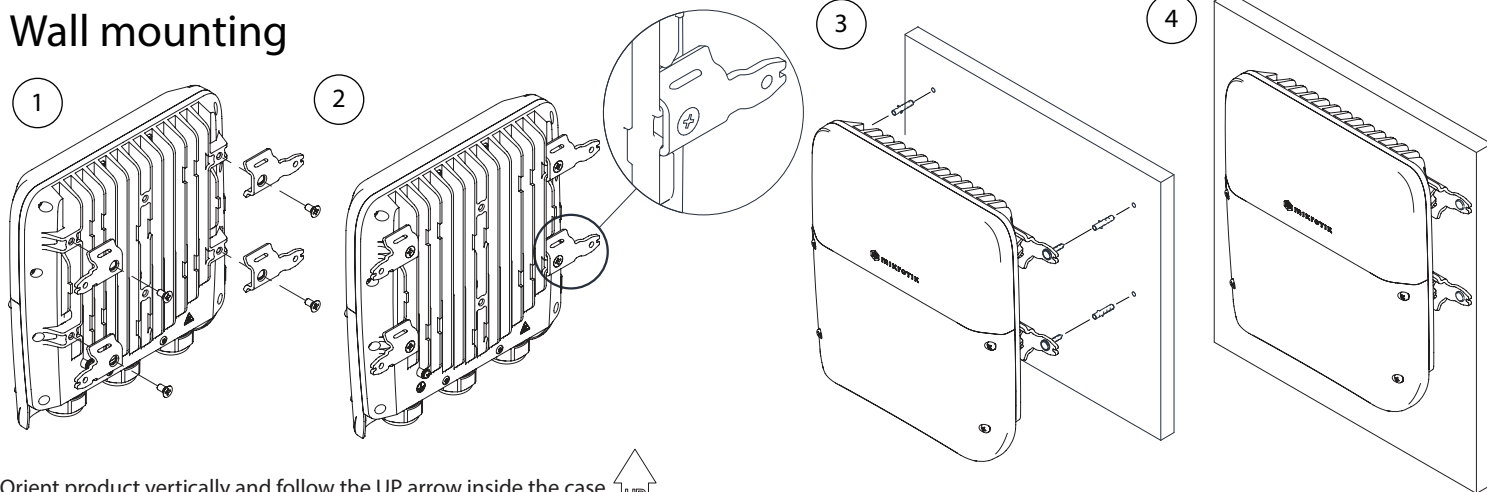


Pole mounting options



∅ 25-70 mm

Wall mounting



* Orient product vertically and follow the UP arrow inside the case

