

twinklyTM PRO

Contents

INTRODUCTION 3

What is Twinkly
Twinkly Experience

FEATURES 11

Your Virtual Space
Fx Wizard
Online
Multi-view Mapping
Video Effects
Cloud Control

INSTALLATIONS 25

Edifices & Elevations
Xmas Trees
Palm Trees

PRODUCTS 31

Controller 1500 ETH
Controller 400 WiFi
Capsule Strings
Capsule Curtain
Module Strings
Bulb Strings
Wi-Fi Bridge
Cone Trees
Typical Network Configurations

CONTACT 52

What is Twinkly?

Twinkly is the technological evolution of the traditional Christmas light decoration and a real innovation for the lighting industry overall.

Twinkly's new generation of LED string lights are controllable via a smartphone. With its integrated Wi-Fi, users can display an infinite number of effects that are completely customizable.



Twinkly Experience

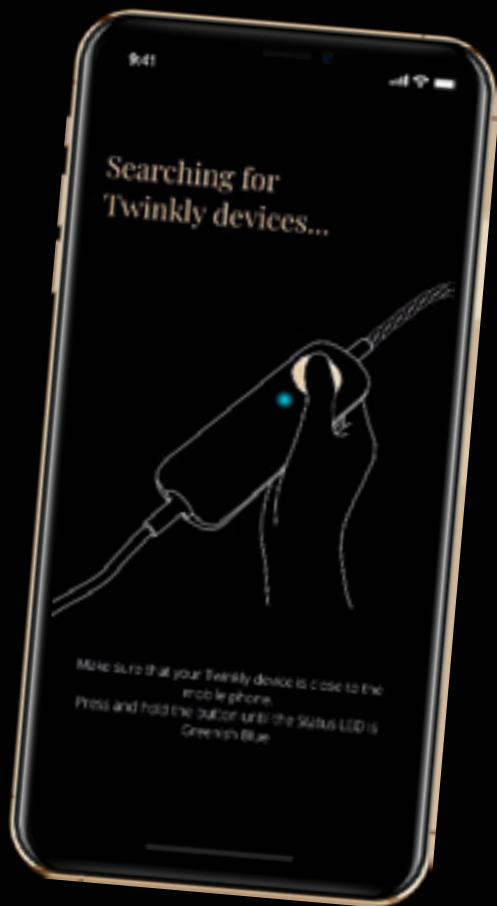
Follow these easy steps to get started

01.

READY, SET, GO!

Unbox, download the app and decorate your space with Twinkly lights, just the way you are used to do.





02.

INSTANT SETUP

Quickly setup your device to join your home Wi-Fi or work as an access point.

03.

MAP YOUR LIGHTS

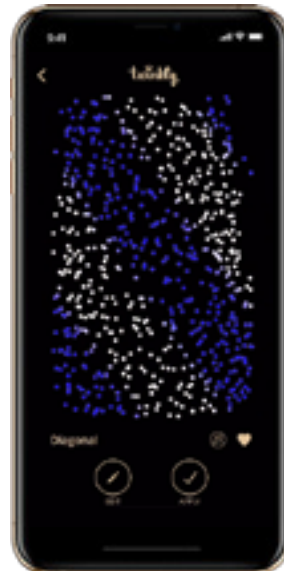
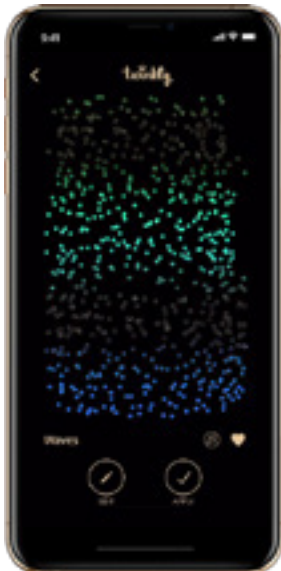
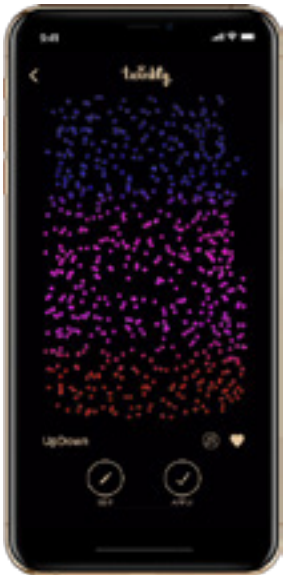
The true power of Twinkly technology lies beyond its innovative Computer Vision feature. The app is able to detect the exact position of every single LED through your smartphone camera. After you are done decorating, simply snap a photo in the app to map your environment and create breathtaking effects with perfection and ease.



04.

PLAY EFFECTS

Choose from a huge gallery of supercool effects like never seen before.



05.

CUSTOMIZE

Each effect can be completely customized in a very easy way, changing the speed, colors and other key parameters of each animation.

**CREATE**

You can easily create your own effects. Choose the color you like and draw with your finger what your fantasy is suggesting!

Your Virtual Space

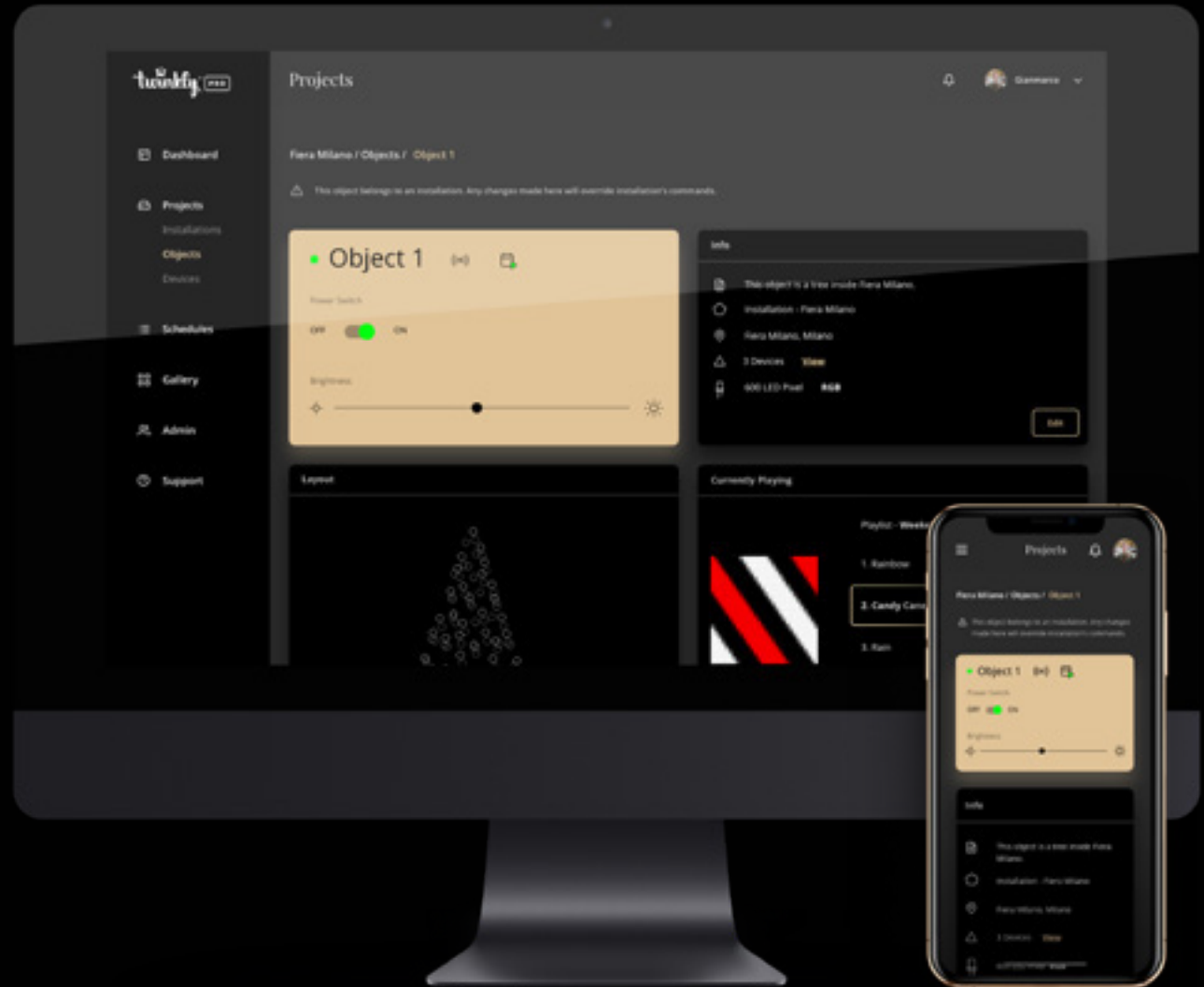
One Login, one device space associated including groups, layouts and effects.

Space always sync with Cloud and Web App.

Automatic sync with any other phone using the same Login.

One owner, multiple users.

Owner can invite others Login to "play only" the same space.



Fx Wizard

The power of creation, in your hands. Make truly amazing effects. Choose from a huge variety of patterns, change their parameters, overlap multiple patterns, animate them.



Pattern



Colors



Adjust



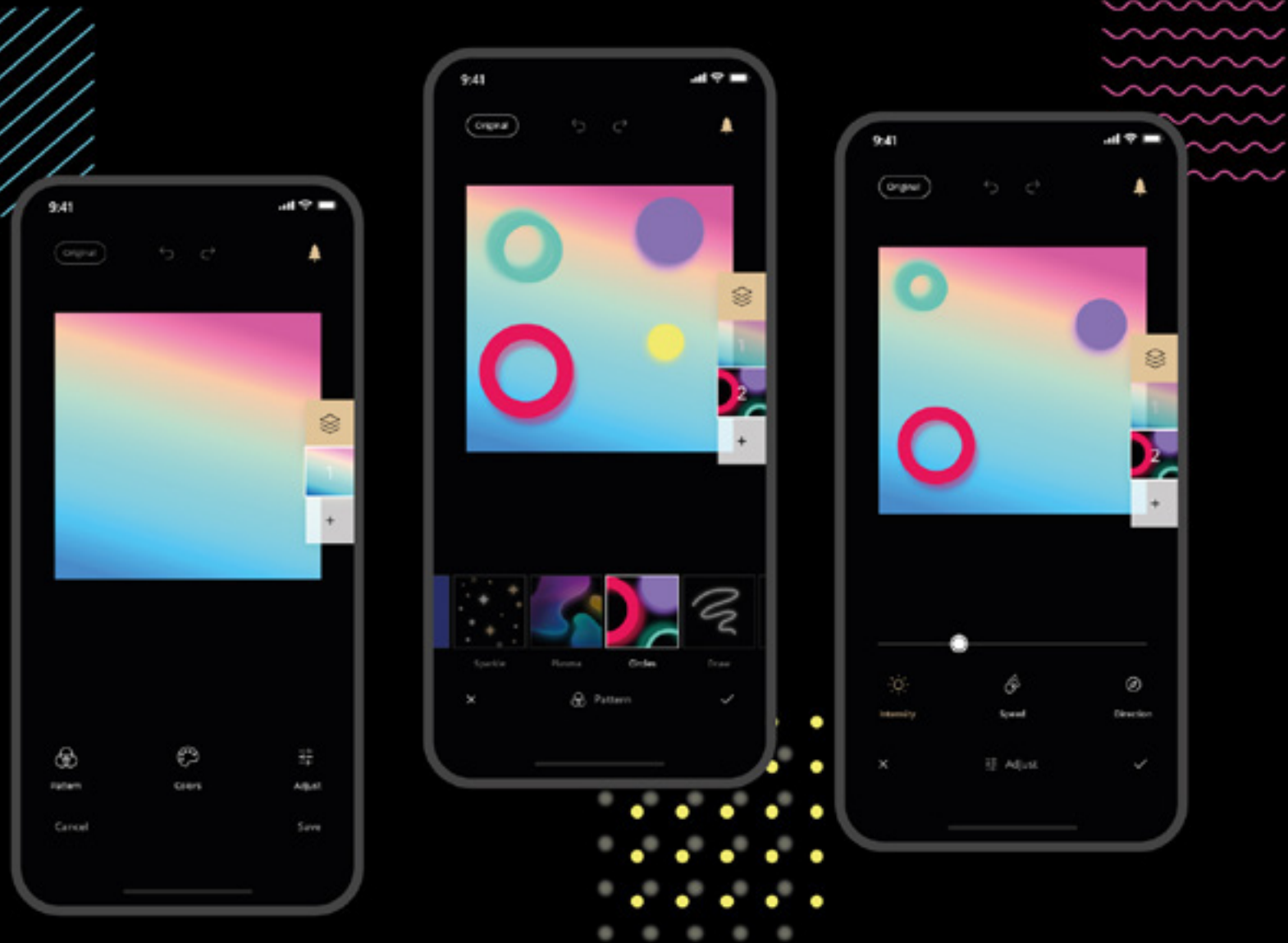
Intensity



Speed

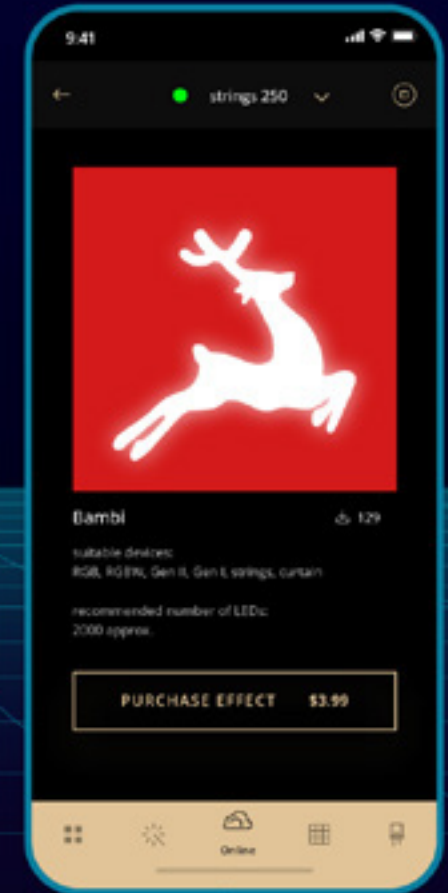
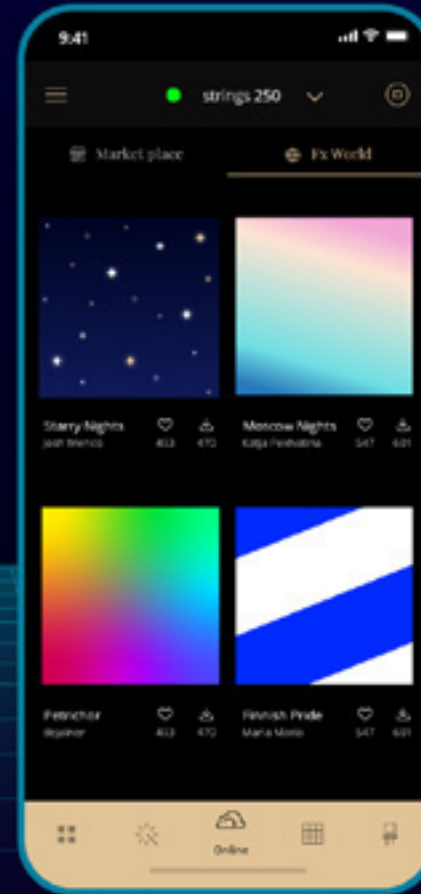
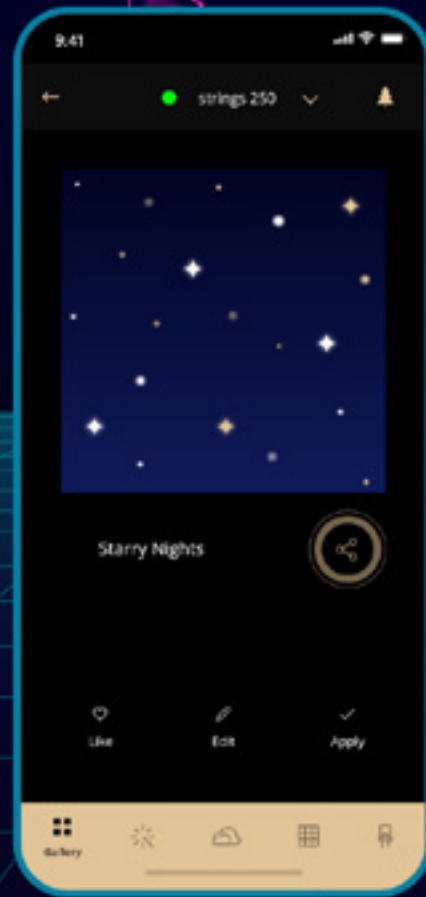


Direction



Create. Share. Download. Repeat.

Share your creativity with the world. See what other Twinklers are creating. Access the library of premium effects curated by Twinkly just for you.



Multi-view Mapping

Life's in 3D. So should be your creations.

Set up your decorations as desired and simply map the lights with the Twinkly app. It automatically calculates the positions of every single LED, even the ones invisible to the camera lens.

Now you can continue to map from different angles to make your layout even more accurate. And get a perfect 3D layout as a result.



Videos as Effects

How cool would it be, playing your own videos and animations on your decorations?

Simply upload your media, and enjoy!



1. Choose a Video/
Image from
your Gallery



2. Upload to
Twinkly App



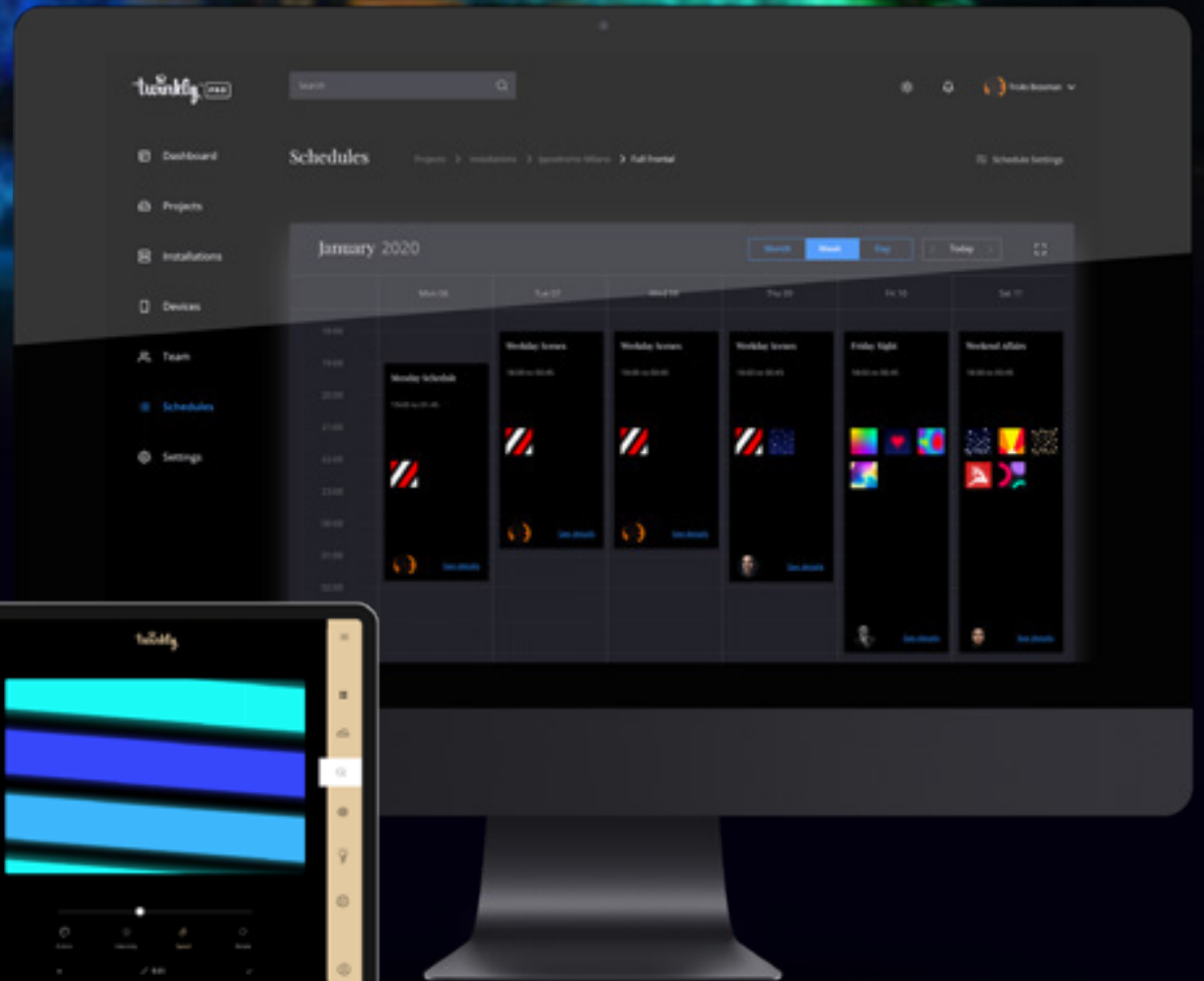
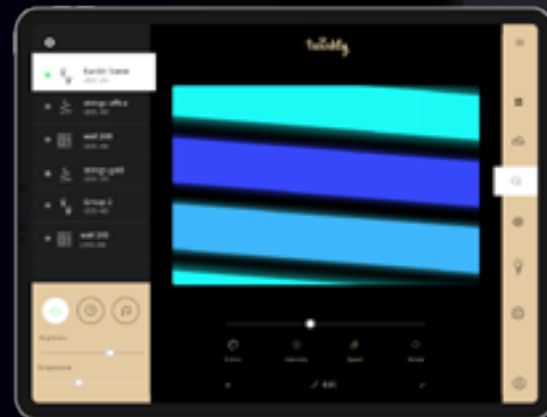
3. Play the Video on
your decorations



Cloud Control

Decorating a whole city block now is just a matter of a click.

Twinkly PRO brings the magic of Twinkly to professionals. Get ready to create stunning light decorations, saving costs and time. You can also enable a new remote layer with the help of Twinkly Cloud Console allowing groups of different installations and with that the ability to apply the same sync effect to all of them.

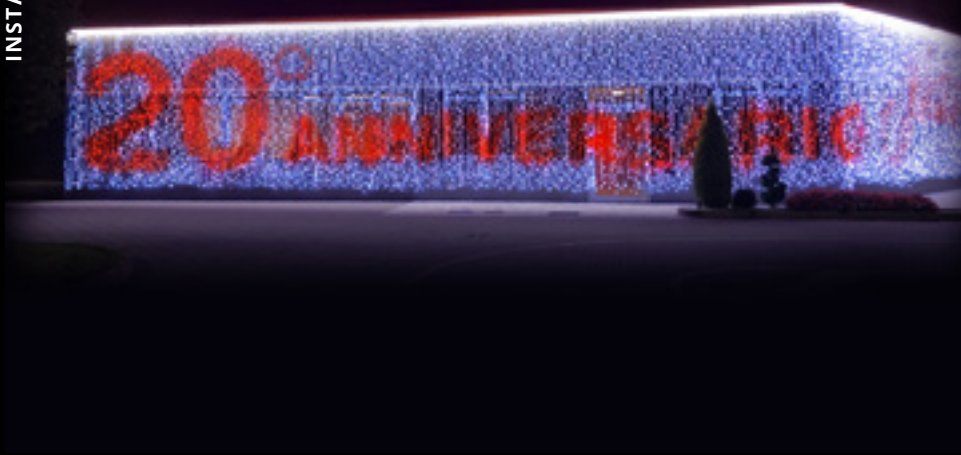




FEATURE	CONTROLLER 1500 ETH	CONTROLLER 1000 ETH
Multi-view Mapping	✓	✓
Fx Wizard	✓	✓
Combine multiple devices	✓	✓
Sync with Music	✗	✗
Voice Commands	✗	✗
Import Video	✓ via WebApp	✓ via WebApp
Cloud & Pro Console	✓	✓
IP rating	IP65	IP44
RGB LED strings supported	Max 1500 Pro LEDs using 6 ports (250L each)	Max 1000 Pro LEDs using 4 ports (250L each)
RGB+W LED strings supported	Max 1500 Pro LEDs using 6 ports (250L each)	Max 1000 Pro LEDs using 4 ports (after FW update with limited fps)
AWW LED strings	Max 1500 Pro LEDs using 6 ports (250L each)	Max 1000 Pro LEDs using 4 ports (250L each)
Max LED support	30,000	30,000
App availability	iOS 11 or later	iOS 11 or later



CONTROLLER 400 WIFI	GEN II CONTROLLER	GEN I CONTROLLER
✓	✓	✓
✓	✓	✓
✓	✓	✓
✓ with Twinkly Music Dongle	✓ with Twinkly Music Dongle	✓ with Twinkly Music Dongle
ON/OFF - Brightness - Color	ON/OFF - Brightness - Color	ON/OFF
✓ via WebApp	✗	✗
✗	✗	✗
IP44	IP44	IP20
Max 500 Pro LEDs (using TWPRO-SPLITTER-2)	Max 600 LEDs (connected by default)	Max 225 LEDs (connected by default)
Max 250 Pro LEDs	Max 400 LEDs (connected by default)	✗
Max 500 Pro LEDs (using TWPRO-SPLITTER-2)	Max 400 LEDs (connected by default)	✗
Max 5,000 LEDs in a group or 10 devices	Max 6,000 LEDs in a group or 10 devices	Max 1,125 LEDs in a group or 5 devices
iOS 11 or later	iOS 11 or later Android 5 or later	iOS 11 or later Android 5 or later



edifices & elevations

Paint your establishment in your colors,
or your brand identity even.

Now with Twinkly Pro, it is possible to decorate
buildings, walls and structures with ease playing super
advanced effects or even your branding!



X-mas trees

Show the Christmas installations their true glory.

Twinkly Pro allows you to put Twinkly magic on large scale installations. Where it truly shines is on these artificial trees, which are really supposed to be the centre point of all attractions.



Twinkly RGB
10 000 LEDs



Palm trees

Move over Christmas trees,
palm trees are the new talk of the town.

Decorating and calibrating palm trees the right way used to be a very difficult, time consuming and expensive task. But with Twinkly Pro, this task is a cinch now.



Twinkly RGB

6 000 LEDs

TWINKLY PRO CONTROLLER

1500 ETH

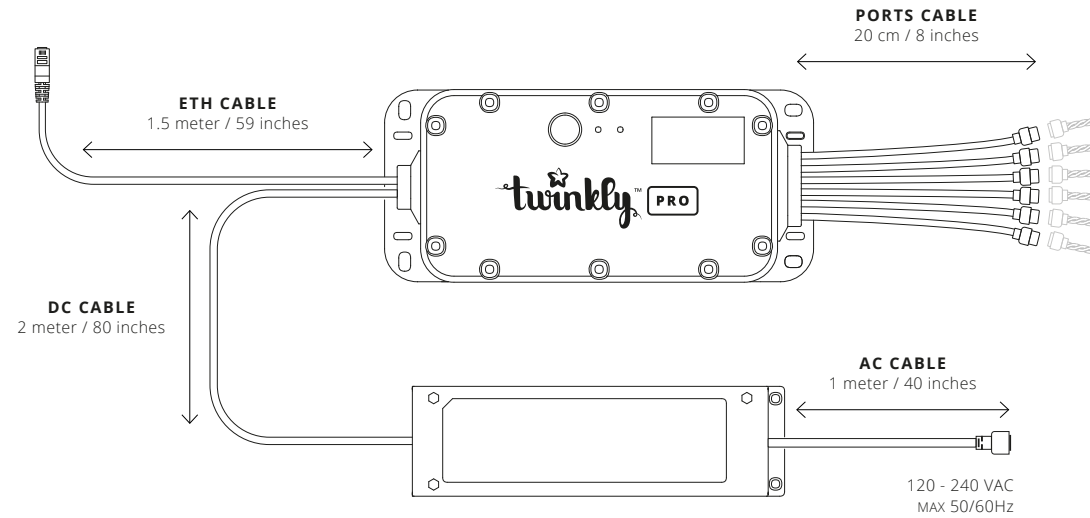
Compatible with:
Strings | Curtains |
Modules | C7 / C9 / G45 Bulbs



For your
hardest
challenges

Conceived for larger installations in public and wide open spaces, to connect up to 6 light strings, a built-in power adaptor, and ethernet connectivity. Each controller box can manage up to 1,500 LEDs in 6 separate lines (up to 250 LEDs per port) a it allow to create groups of lights up to 40.000 lamps.

- Twinkly Cloud control for unlimited installation grouping, same effects sync application and remote control
- Moulded AC power cable into the controller case for the best mechanical strength
- Cannot be grouped with Twinkly Pro Wi-Fi Controller



Product SKU	TWPRO1500ETHP-B
No. of ports	6
Ports cable length	20 cm / 8 in
DC cable length	2 m / 80 in
AC cable length	1 m / 40 in
ETH cable length	1.5 m / 59 in
IP rating	IP65
Connectivity	Ethernet
Power rating	150 W MAX
Adapter input voltage	120 - 240 VAC MAX 50/60Hz
Temperature range	-15°C / 40°C 5°F / 104°F
Storage temperature range	-20°C / 60°C -4°F / 140°F
Certification	US EU JP AU certified
Warranty	24 months

*All ports' cables are of the same length, image is purely for illustrative purposes

TWINKLY PRO CONTROLLER

400 WiFi



Compatible with:
Strings | Curtains |
Modules | C7 / C9 / G45 Bulbs

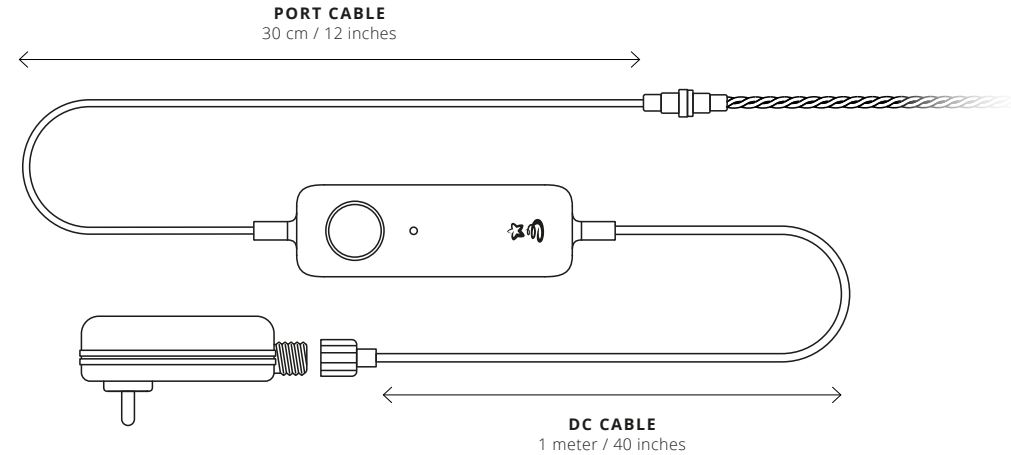
For the
simpler
challenges

Conceived for smaller installations in tighter spaces, to connect up to 2 light strings, and Wi-Fi connectivity.

Each controller can manage up to 500 (RGB or AWW) LEDs with the use of Twinkly PRO Port Splitter in two separate lines, and it allows to create groups of lights up to 5.000 (RGB or AWW) lamps.

RGB+W lamps available up to 250 LEDs in one unique line, and it allows to create groups of lights up to 2.500 (RGB+W) lamps.

- Twinkly Cloud not supported
- Cannot be grouped with Twinkly Pro Ethernet Controller



Product SKU	TWPRO400WRLP-B
No. of ports	1 (*)
Port cable length	30 cm / 12 in
DC cable length	1 m / 40 in
IP rating	IP65
Connectivity	Wi-Fi Bluetooth for instant setup
Power rating	48 W MAX
Adapter input voltage	120 - 240 VAC MAX 50/60Hz
Temperature range	-15°C / 40°C 5°F / 104°F
Storage temperature range	-20°C / 60°C -4°F / 140°F
Certification	US EU certified
Warranty	24 months

(*) extendible connecting Twinkly PRO Port Splitter

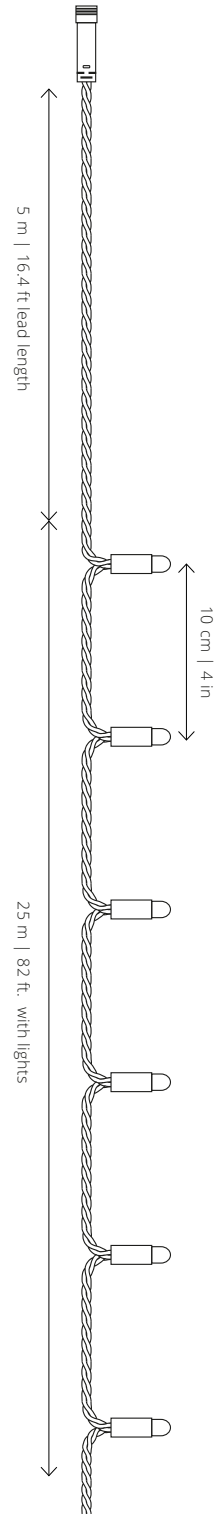
Capsule Strings

F5 Capsule + Shrink Tube

250 RGB / RGB+W / AWW

Single Line

Product SKU	TWP-S-CA-1x250
Bulb type	Addressable LED
Bulb color	RGB - Red, Green, Blue (+16 million colors)
	RGB+W - Red, Green, Blue (+16 million colors) + Warm White
	AWW - Amber, Warm White, Cold White
No. of bulbs	250 - 1 x 250
Replaceable bulbs	No
LED type	F5 Capsule + Shrink Tube
Cable color	Black Green White Transparent
Cable type	PVC UV protected
Length with lights	25 m / 82 ft
Lead length	5 m / 16.4 ft
Distance between bulbs	10 cm / 4 in
IP rating	IP65
Temperature range	-15°C / 40°C 5°F / 104°F
Storage temperature range	-20°C / 60°C -4°F / 140°F
Lifespan	Over 30,000 hours
Warranty	24 months (not applicable if <1% defective bulbs)

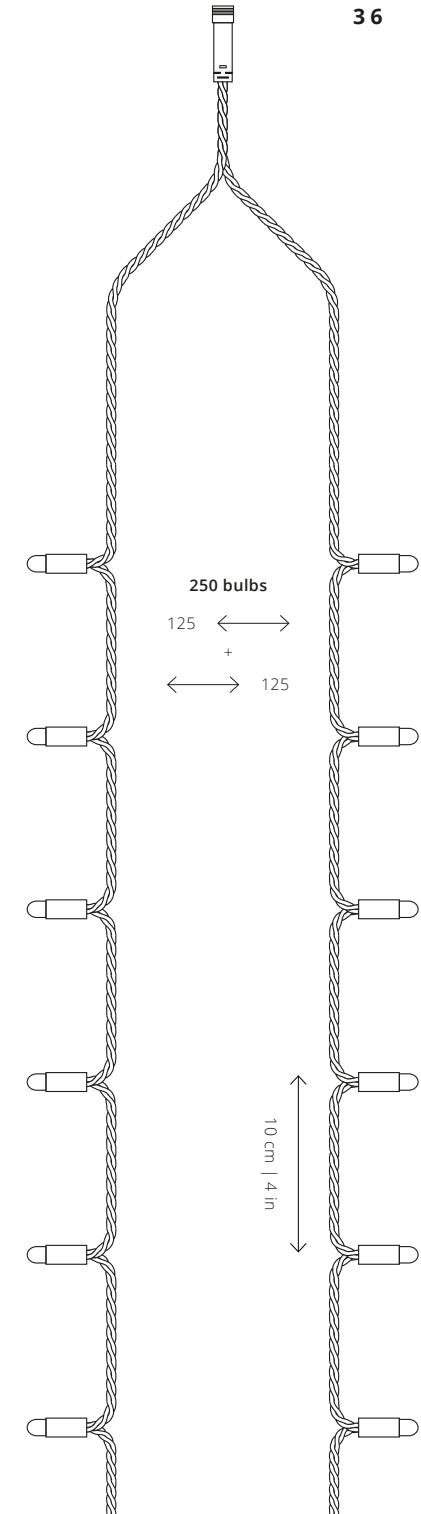


F5 Capsule + Shrink Tube

250 RGB / RGB+W / AWW

Dual Line

Product SKU	TWP-S-CA-2x125
Bulb type	Addressable LED
Bulb color	RGB - Red, Green, Blue (+16 million colors)
	RGB+W - Red, Green, Blue (+16 million colors) + Warm White
	AWW - Amber, Warm White, Cold White
No. of bulbs	250 - 2 x 125
Replaceable bulbs	No
LED type	F5 Capsule + Shrink Tube
Cable color	Black Green White Transparent
Cable type	PVC UV protected
Length with lights	12.5 m / 41 ft
Lead length	5 m / 16.4 ft
Distance between bulbs	10 cm / 4 in
IP rating	IP65
Temperature range	-15°C / 40°C 5°F / 104°F
Storage temperature range	-20°C / 60°C -4°F / 140°F
Lifespan	Over 30,000 hours
Warranty	24 months (not applicable if <1% defective bulbs)

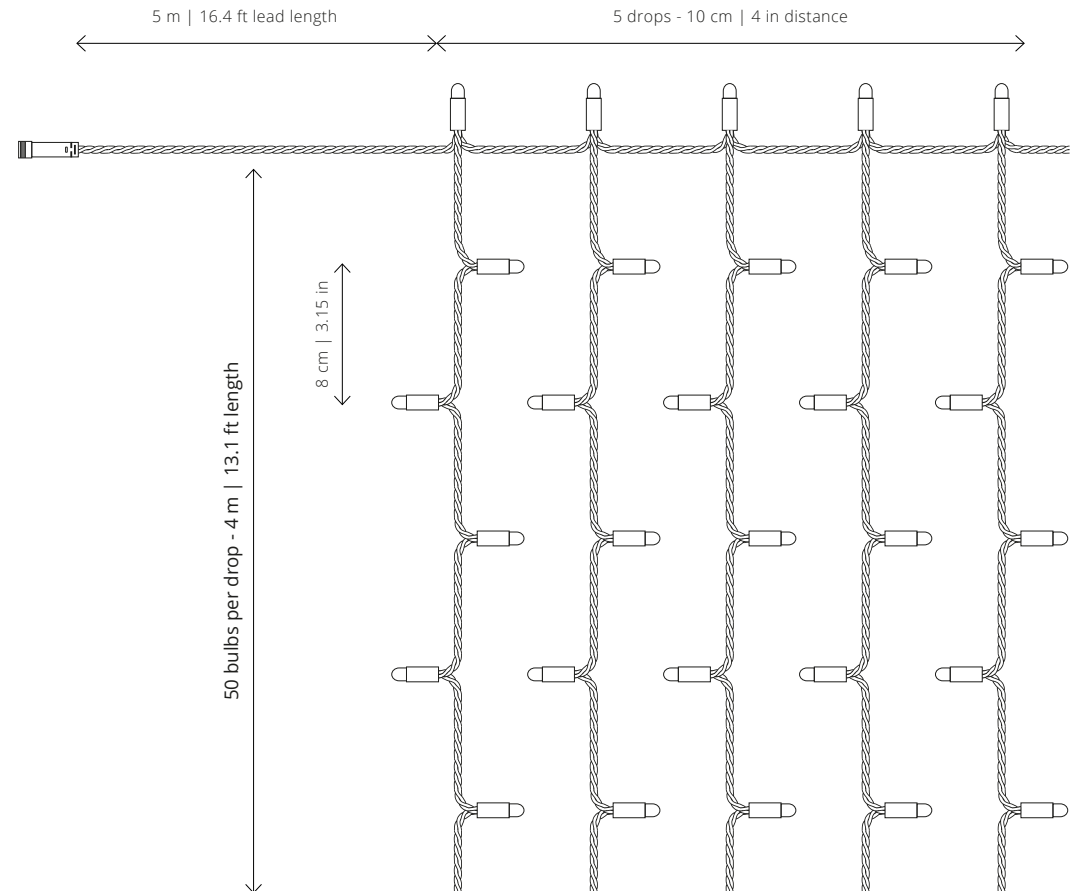


Capsule Curtain

F5 Capsule + Shrink Tube

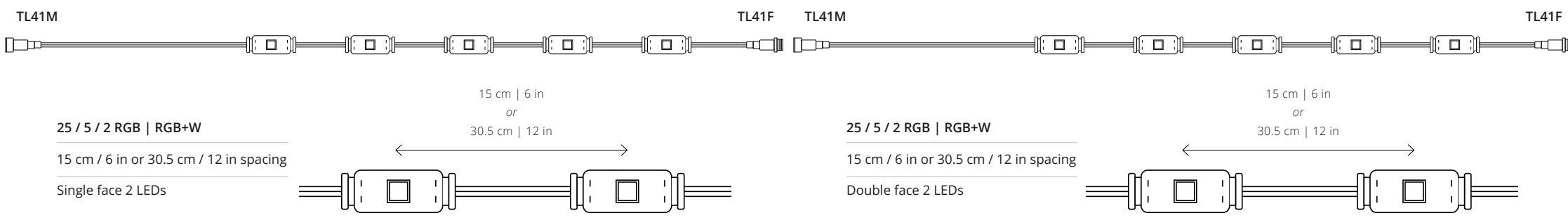
250 RGB / RGB+W / AWW

Product SKU	TWP-CU-CA-05x50
Bulb type	Addressable LED
Bulb color	RGB - Red, Green, Blue (+16 million colors)
	RGB+W - Red, Green, Blue (+16 million colors) + Warm White
	AWW - Amber, Warm White, Cold White
No. of bulbs	250 - 5 x 50
Replaceable bulbs	No
LED type	F5 Capsule + Shrink Tube
Cable color	Black Green White Transparent
Cable type	PVC UV protected
Length with lights	5.5 m / 18 ft
Lead length	5 m / 16.4 ft
Distance between drops	10 cm / 4 in
Distance between bulbs	8 cm / 3.15 in
Drops schema	5 drops 50 bulbs each
Drops length	4 m / 13.1 ft
IP rating	IP65
Temperature range	-15°C / 40°C 5°F / 104°F
Storage temperature range	-20°C / 60°C -4°F / 140°F
Lifespan	Over 30,000 hours
Warranty	24 months (not applicable if <1% defective bulbs)



Module Strings

TWP-PL-EXTENSION-T	Transparent	IP65	Pebble lights cable extension from controller to first bulb.
TWP-PL-EXTENSION-B	Black	IP65	Pebble lights cable extension from controller to first bulb.
TWP-PL-SL-SUPPORT-T	Transparent	IP65	Pebble support.



Product SKU	TWP-PL-SL-25	TWP-PL-SL-05	TWP-PL-SL-02
Bulb type	Addressable LED	Addressable LED	Addressable LED
Bulb color	RGB - Red, Green, Blue (+16 million colors) RGB+W - Red, Green, Blue (+16 million colors) + Warm White		
No. of LEDs	25	5	2
LED type	Peddle lights	Peddle lights	Peddle lights
Cable color	Black Transparent		
Cable type	PVC UV protected	PVC UV protected	PVC UV protected
Max length	61 m / 200 ft	61 m / 200 ft	61 m / 200 ft
Distance between bulbs	15.2 cm / 6 in 30.5 cm / 12 in	15.2 cm / 6 in 30.5 cm / 12 in	15.2 cm / 6 in 30.5 cm / 12 in
IP rating	IP65	IP65	IP65
Works with	Twinkly PRO Controller 1500 ETH		
Temperature range	-15°C / 40°C 5°F / 104°F		
Storage temperature range	-20°C / 60°C -4°F / 140°F		
Lifespan	Over 30,000 hours		
Warranty	24 months (not applicable if <1% defective bulbs)		

Product SKU	TWP-PL-DL-25	TWP-PL-DL-05	TWP-PL-DL-02
Bulb type	Addressable LED	Addressable LED	Addressable LED
Bulb color	RGB - Red, Green, Blue (+16 million colors) RGB+W - Red, Green, Blue (+16 million colors) + Warm White		
No. of LEDs	25	5	2
LED type	Peddle lights	Peddle lights	Peddle lights
Cable color	Black Transparent		
Cable type	PVC UV protected	PVC UV protected	PVC UV protected
Max length	61 m / 200 ft	61 m / 200 ft	61 m / 200 ft
Distance between bulbs	15.2 cm / 6 in 30.5 cm / 12 in	15.2 cm / 6 in 30.5 cm / 12 in	15.2 cm / 6 in 30.5 cm / 12 in
IP rating	IP65	IP65	IP65
Works with	Twinkly PRO Controller 1500 ETH		
Temperature range	-15°C / 40°C 5°F / 104°F		
Storage temperature range	-20°C / 60°C -4°F / 140°F		
Lifespan	Over 30,000 hours		
Warranty	24 months (not applicable if <1% defective bulbs)		

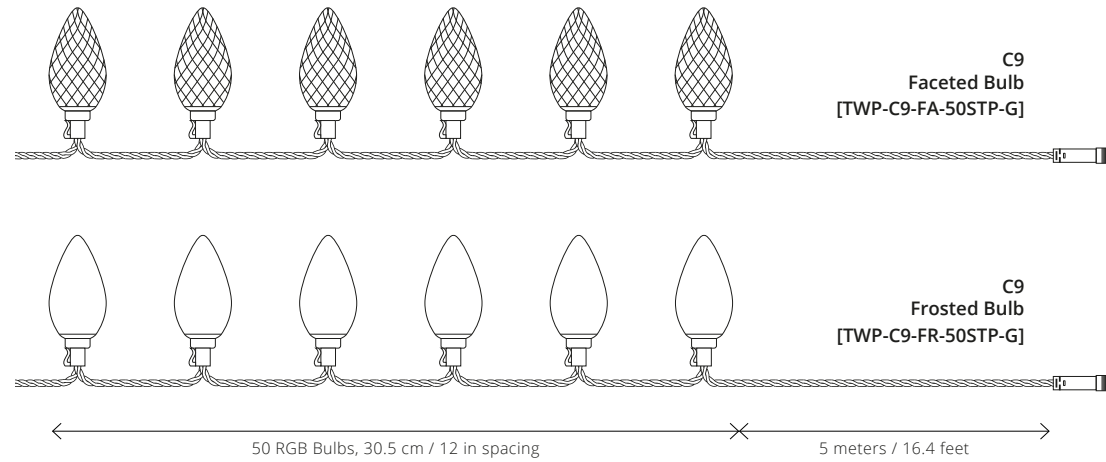
SIGNAL BACKUP IN CASE A BULB IS BROKEN (ON RGB OPTION ONLY)

Bulb Strings

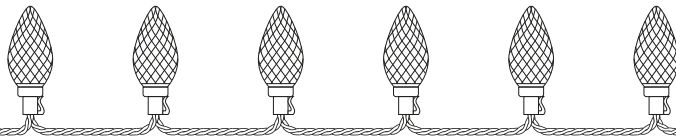
C7/C9 Faceted/Frosted Bulbs

Green wire

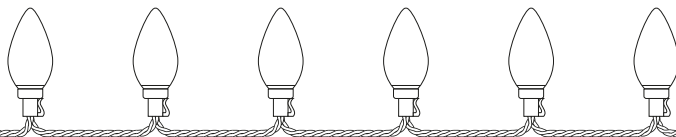
Product SKU	TWP-C7-FA-50	TWP-C7-FR-50
Bulb type	Addressable LED	Addressable LED
Bulb color	RGB - Red, Green, Blue (+16 million colors)	
No. of bulbs	50	50
Replaceable bulbs	No	No
LED type	C7 Faceted	C7 Frosted
Cable color	Green	Green
Cable type	PVC UV protected	PVC UV protected
Length with lights	20.25 m / 66.4 ft	20.25 m / 66.4 ft
Lead length	5 m / 16.4 ft	5 m / 16.4 ft
Distance between bulbs	30.5 cm / 12 in	30.5 cm / 12 in
IP rating	IP65	IP65
Temperature range	-15°C / 40°C 5°F / 104°F	
Storage temperature range	-20°C / 60°C -4°F / 140°F	
Lifespan	Over 30,000 hours	
Warranty	24 months (not applicable if <1% defective bulbs)	



C7 Faceted Bulb [TWP-C7-FA-50STP-G]



C7 Frosted Bulb [TWP-C7-FR-50STP-G]



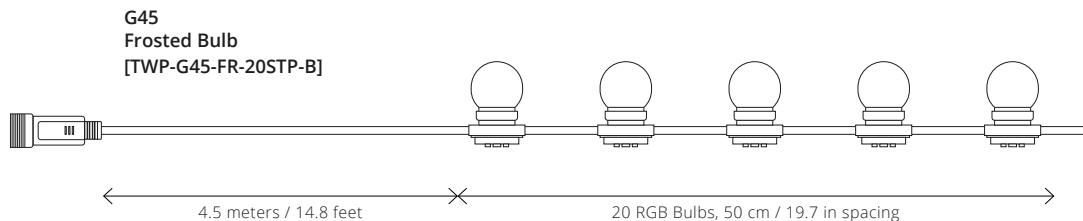
Product SKU	TWP-C9-FA-50	TWP-C9-FR-50
Bulb type	Addressable LED	Addressable LED
Bulb color	RGB - Red, Green, Blue (+16 million colors)	
No. of bulbs	50	50
Replaceable bulbs	No	No
LED type	C9 Faceted	C9 Frosted
Cable color	Green	Green
Cable type	PVC UV protected	PVC UV protected
Length with lights	20.25 m / 66.4 ft	20.25 m / 66.4 ft
Lead length	5 m / 16.4 ft	5 m / 16.4 ft
Distance between bulbs	30.5 cm / 12 in	30.5 cm / 12 in
IP rating	IP65	IP65
Temperature range	-15°C / 40°C 5°F / 104°F	
Storage temperature range	-20°C / 60°C -4°F / 140°F	
Lifespan	Over 30,000 hours	
Warranty	24 months (not applicable if <1% defective bulbs)	

Bulbs Strings

G45 Frosted Bulbs

Green wire

Product SKU	TWP-G45-FR-20
Bulb type	Addressable LED
Bulb color	RGB - Red, Green, Blue (+16 million colors)
No. of bulbs	20
Replaceable bulbs	No
LED type	G45 Frosted
Cable color	Black
Cable type	PVC UV protected
Length with lights	10 m / 32.8 ft
Lead length	4.5 m / 14.8 ft
Distance between bulbs	50 cm / 19.7 in
IP rating	IP65
Temperature range	-15°C / 40°C 5°F / 104°F
Storage temperature range	-20°C / 60°C -4°F / 140°F
Lifespan	Over 30,000 hours
Warranty	24 months (not applicable if <1% defective bulbs)



TWINKLY PRO

Lead Extension Cable

Product SKU	TWP-EXT-B	TWP-EXT-G	TWP-EXT-W	TWP-EXT-T
Length	5 m 16.4 ft	5 m 16.4 ft	5 m 16.4 ft	5 m 16.4 ft
Cable color	Black	Green	White	Transparent
Type	Extension	Extension	Extension	Extension

TWINKLY PRO

Wi-Fi Bridge

Wi-Fi Bridge for Twinkly PRO Controller 1500 ETH.

Used for:

- A) Ethernet controller setup in case of single controller not needing a fixed router (if used in AP mode)
- B) connecting the Twinkly PRO Controller 1500 ETH to a Wi-Fi internet network (if used in device mode)



Product SKU	TWP-uWIFI
IP rating	IP65
Connectivity	ETH cable via Twinkly PRO Controller 1500 ETH Wi-Fi via smartphone
ETH cable length	0.5 m / 19.7 in
Power rating	5 W MAX
Input power voltage	POE
Temperature range	-15°C / 40°C 5°F / 104°F
Storage temperature range	-20°C / 60°C -4°F / 140°F
Certification	US EU certified
Warranty	24 months

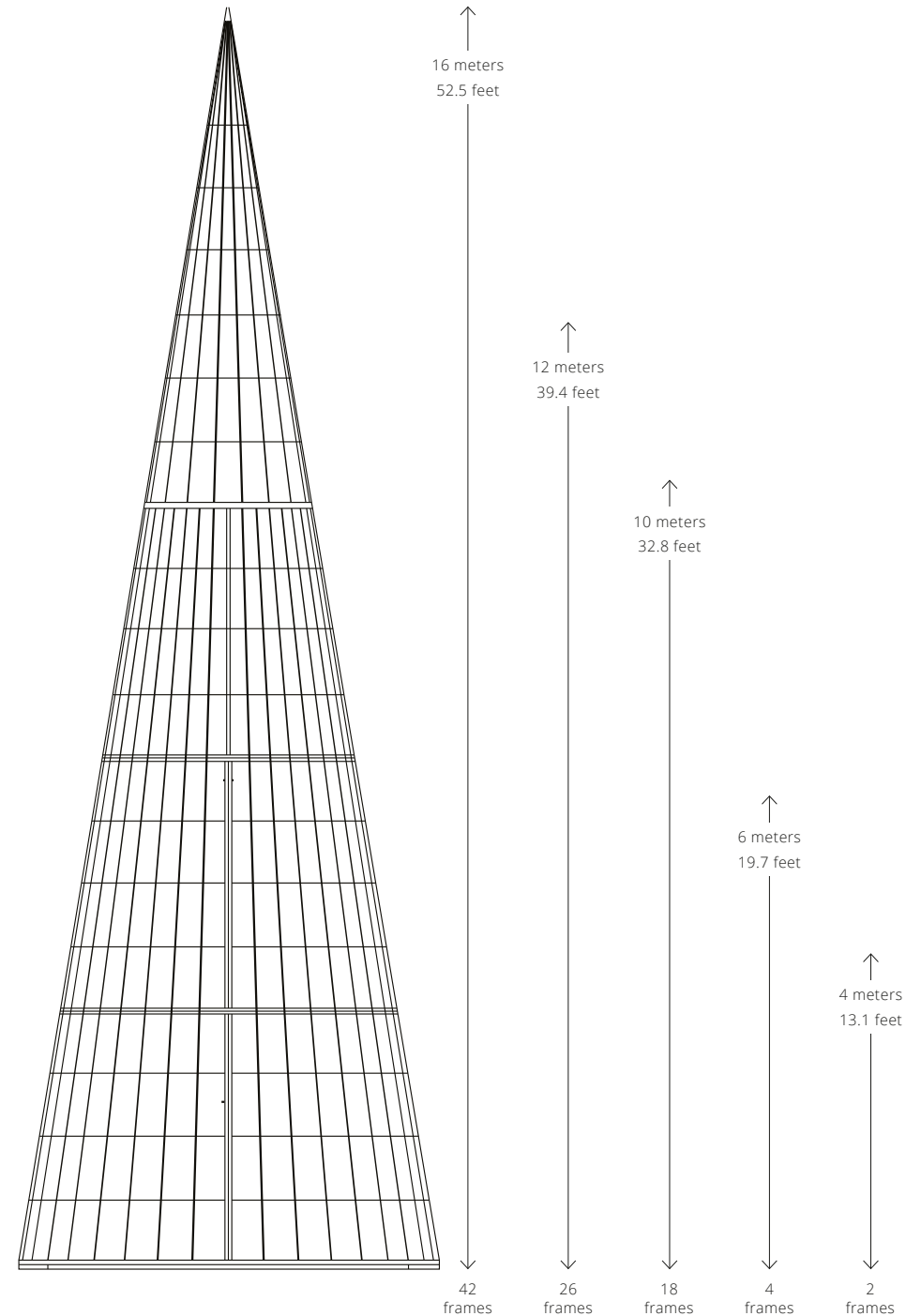
NOTE: in case you are using multiple controller only ETH mode is allowed.

TWINKLY PRO

Cone Tree

	cone tree 4 m 13.1 ft.	cone tree 6 m 19.7 ft.	cone tree 10 m 32.8 ft.	cone tree 12 m 39.4 ft.	cone tree 16 m 52.5 ft.
Product SKU	TWP-S-CA-4mx3k	TWP-S-CA-6mx9k	TWP-S-CA-10mx24k	TWP-S-CA-12mx34k	TWP-S-CA-16mx54k
Height	4 m / 13.1 ft	6 m / 19.7 ft	10 m / 32.8 ft	12 m / 39.4 ft	16 m / 52.5 ft
Diameter	1.5 m / 5 ft	2.15 m / 7.05 ft	3.6 m / 11.8 ft	4.2 m / 13.8 ft	5.5 m / 18 ft
No. of frames	2	4	18	26	42
Material internal structure	Aluminium frame				
Foliage type	Green spruce garland				
Weight	90 kg	170 kg	880 kg	1,290 kg	2,000 kg
Bulb type	Addressable LED				
Bulb color	RGB - Red, Green, Blue (+16 million colors)				
No. of bulbs	3,000	9,000	24,000	34,500	54,000
Replaceable bulbs	No	No	No	No	No
LED type	F5 Capsule + Shrink Tube				
Cable color	Green	Green	Green	Green	Green
Cable type	PVC UV protected				
IP rating	IP65	IP65	IP65	IP65	IP65
Works with	Twinkly PRO Controller 1500 ETH				
Connectivity	Wi-Fi *				
Operating system	Twinkly App available only on iOS 11 or newer				
Power rating	300 W MAX	900 W MAX	2,400 W MAX	3,450 W MAX	5,400 W MAX
Adapter input voltage	120 - 240 VAC MAX 50/60Hz				
Temperature range	-15°C / 40°C 5°F / 104°F				
Storage temperature range	-20°C / 60°C -4°F / 140°F				
Lifespan	Over 30,000 hours				
Warranty	24 months (not applicable if <1% defective bulbs)				

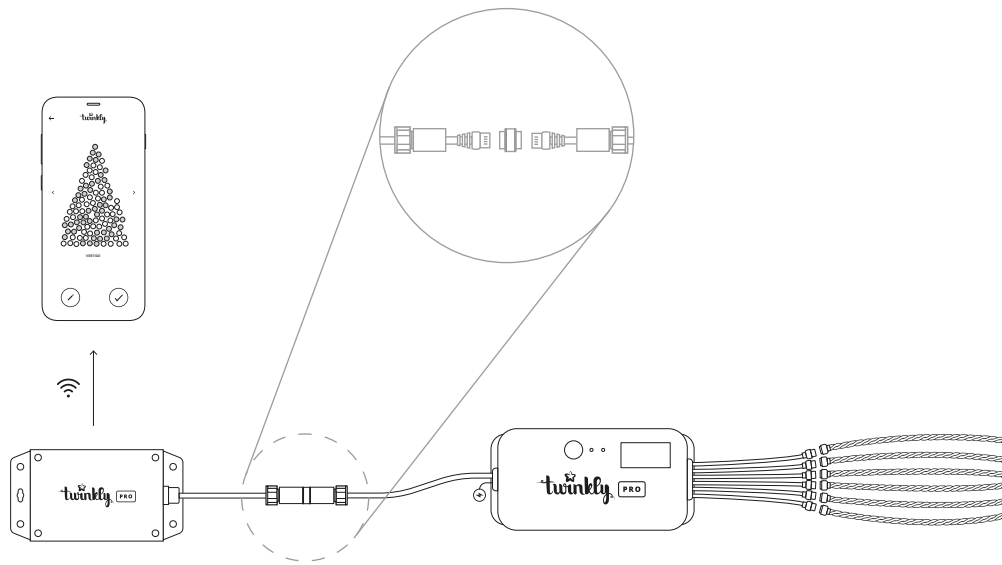
* 4G sim card option to enable remote control



TYPICAL

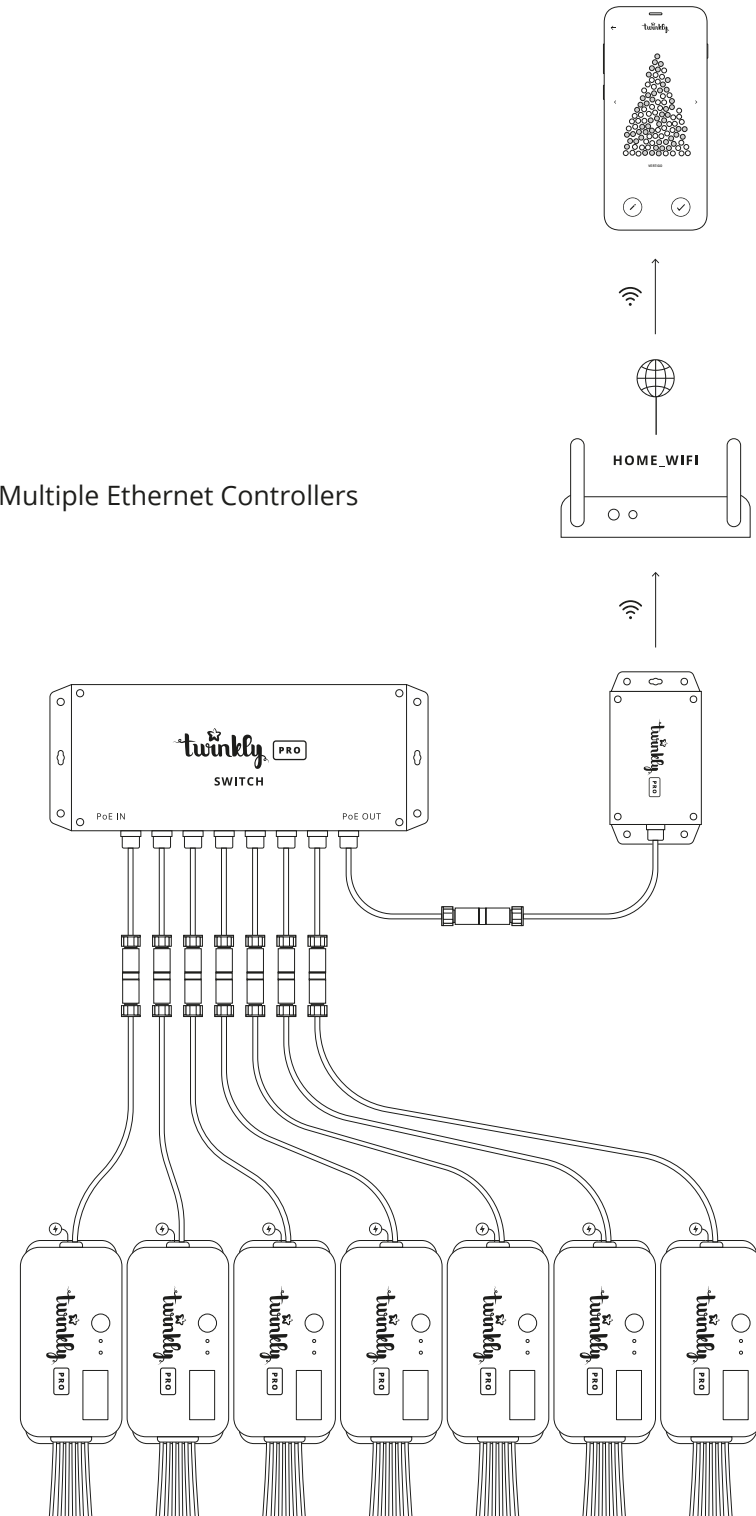
Network Configuration

Single Ethernet Controller



* Limited App features usability in case of missing internet connection

Multiple Ethernet Controllers



Contact

For more information please contact us
at sales@twinkly.com