

PRODUCT FAMILY DATASHEET

SMART+ WiFi SPOT GU10 Tunable White

Reflector shape with WiFi technology



AREAS OF APPLICATION

- General illumination
- Residential interiors
- Professional (hotels, bars, boutiques etc.)
- Outdoor applications only in suitable luminaires

PRODUCT BENEFITS

- Wireless control via app
- Easy to install and use
- Contains no mercury

PRODUCT FEATURES

- Controllable via LEDVANCE SMART+ WiFi App (with minimum Android 4.4 or iOS 9.0)
- Controllable via Google Assistant and Amazon Alexa possible
- Network protocol: WiFi
- Adjustable light color via Tunable White: Warm White to Cool White (2,700 K...6,500 K)
- Dimmable
- Lifetime: up to 20,000 h



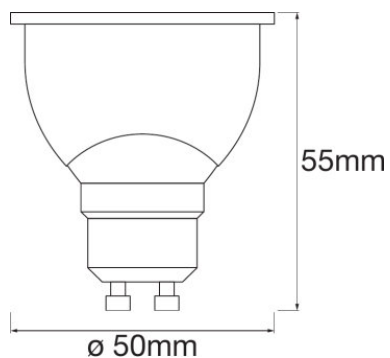
TECHNICAL DATA

Product description	Electrical data	Photometrical data							Light technical data	
	Nominal wattage	Standard deviation of color matching	Adjustable color temperature	Rated luminous flux	Color rendering index Ra	Lumen main.fact.at end of nom.life time	Nominal luminous flux	Color temperature	Light color (designation)	Starting time
SMART+ WiFi Spot 40 45° 4.9 W/2700...6500K GU10 ¹⁾	4.90 W	≤6 sdc	2700...6500 K	350 lm	80	0.70	350 lm	2700 K	Tunable White	< 0.5 s
SMART+ WiFi Spot 40 45° 4.9 W/2700...6500K GU10 ¹⁾	4.90 W	≤6 sdc	2700...6500 K	350 lm	80	0.70	350 lm	2700 K	Tunable White	

Product description	Dimensions & weight		Lifespan			Capabilities	Certificates & standards
	Length	Diameter	Lumen maintenance at end of service life	Nominal lamp life time	Rated lamp life time	Compatible smart home technology	Energy consumption
SMART+ WiFi Spot 40 45° 4.9 W/2700...6500K GU10 ¹⁾	52.0 mm	50.0 mm	0.70	20000 h	20000 h	Google Assistant / Amazon Alexa	5 kWh/1000h
SMART+ WiFi Spot 40 45° 4.9 W/2700...6500K GU10 ¹⁾	52.0 mm	50.0 mm	0.70	20000 h	20000 h	Google Assistant / Amazon Alexa	5 kWh/1000h

Product description	Energy efficiency class
SMART+ WiFi Spot 40 45° 4.9 W/2700...6500K GU10 ¹⁾	G
SMART+ WiFi Spot 40 45° 4.9 W/2700...6500K GU10 ¹⁾	G

¹⁾ All technical parameters apply to the entire lamp/Due to the complex production process for light-emitting diodes, the typical values shown for the technical LED parameters are purely statistical values that do not necessarily match the actual technical parameters of each individual product, which can vary from the typical value



SMART+ WiFi Spot 40 45° 4.9
 W/2700...6500K GU10, SMART+ WiFi
 Spot 40 45° 4.9 W/2700...6500K GU10

APPLICATION ADVICE

For more detailed application information and graphics please see product datasheet.

LOGISTICAL DATA

Product code	Packaging unit (Pieces/Unit)	Dimensions (length x width x height)	Gross weight	Volume
4058075485686	Shipping carton box 4	173 mm x 108 mm x 141 mm	625.00 g	2.63 dm ³
4058075486041	Shipping carton box 12	210 mm x 165 mm x 145 mm	1070.00 g	5.02 dm ³

The mentioned product code describes the smallest quantity unit which can be ordered. One shipping unit can contain one or more single products. When placing an order, for the quantity please enter single or multiples of a shipping unit.

DISCLAIMER

Subject to change without notice. Errors and omission excepted. Always make sure to use the most recent release.