

SONY[®]

4-580-176-04 (2)

Video Projector

Quick Reference Manual _____ **GB**

Guide de référence rapide _____ **FR**

Manual de referencia rápida _____ **ES**

Kurzreferenz _____ **DE**

Guida rapida all'uso _____ **IT**

Краткое справочное руководство _____ **RU**

快速參考手冊 _____ **CT**

VPL-HW65 **ES**
VPL-HW45

ERC

<http://www.sony.net/>

© 2015 Sony Corporation Printed in China



4580176040

About the Quick Reference Manual

This Quick Reference Manual explains the installation and basic operations for projecting pictures. It also describes important notes and cautions to which you have to pay attention when handling and using this unit.

Refer to “Warning Indicators,” “Replacing the Lamp,” and “Cleaning the Air Filter” as necessary.

For details on the operations, refer to the Operating Instructions contained in the supplied CD-ROM.

Step 1

PreparingPage 12

Step 2

Installing the Unit.....Page 13

Step 3

Connecting the Unit.....Page 15

Step 4

Selecting the Menu LanguagePage 16

Step 5

Projecting.....Page 17

Error Handling **Warning IndicatorsPage 19**

Maintenance **Replacing the LampPage 20**

Cleaning the Air FilterPage 23

Before operating the unit, please read this manual thoroughly and retain it for future reference.

WARNING

To reduce the risk of fire or electric shock, do not expose this apparatus to rain or moisture.

To avoid electrical shock, do not open the cabinet. Refer servicing to qualified personnel only.

WARNING
THIS APPARATUS MUST BE EARTHED.

WARNING

When installing the unit, incorporate a readily accessible disconnect device in the fixed wiring, or connect the power plug to an easily accessible socket-outlet near the unit. If a fault should occur during operation of the unit, operate the disconnect device to switch the power supply off, or disconnect the power plug.

CAUTION

About the LAN connector (VPL-HW65 only)

For safety, do not connect the connector for peripheral device wiring that might have excessive voltage to this port.

WARNING

1. Use the approved Power Cord (3-core mains lead) / Appliance Connector / Plug with earthing-contacts that conforms to the safety regulations of each country if applicable.
2. Use the Power Cord (3-core mains lead) / Appliance Connector / Plug conforming to the proper ratings (Voltage, Ampere).

If you have questions on the use of the above Power Cord / Appliance Connector / Plug, please consult a qualified service personnel.

About 3D Glasses

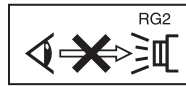
The 3D Glasses communicate with the projector via Bluetooth technology to display 3D signals.

(a) frequency band(s) in which the radio equipment operates:

2.4 - 2.4835 GHz

(b) maximum radio-frequency power transmitted in the frequency band(s) in which the radio equipment operates:

4.30 dBm (E.I.R.P.)



As with any bright light source, do not stare into the beam, RG2 IEC 62471-5: 2015.

For the customers in the U.S.A.

This equipment has been tested and found to comply with the limits for a Class B digital device, pursuant to part 15 of the FCC Rules. These limits are designed to provide reasonable protection against harmful interference in a residential installation. This equipment generates, uses and can radiate radio frequency energy and, if not installed and used in accordance with the instructions, may cause harmful interference to radio communications. However, there is no guarantee that interference will not occur in a particular installation. If this equipment does cause harmful interference to radio or television reception, which can be determined by turning the equipment off and on, the user is encouraged to try to correct the interference by one or more of the following measures:

- Reorient or relocate the receiving antenna.
- Increase the separation between the equipment and receiver.
- Connect the equipment into an outlet on a circuit different from that to which the receiver is connected.
- Consult the dealer or an experienced radio/TV technician for help.

You are cautioned that any changes or modifications not expressly approved in this manual could void your authority to operate this equipment.

GB

All interface cables used to connect peripherals must be shielded in order to comply with the limits for a digital device pursuant to Subpart B of part 15 of FCC Rules.

This device complies with part 15 of the FCC Rules. Operation is subject to the following two conditions: (1) This device may not cause harmful interference, and (2) this device must accept any interference received, including interference that may cause undesired operation.

If you have any questions about this product, you may call:

Sony Customer Information Service Center
1-800-222-7669 or <http://www.sony.com/>

Declaration of Conformity

Trade Name: SONY
Model: VPL-HW65
VPL-HW45
Responsible party: Sony Electronics Inc.
Address: 16535 Via Esprillo,
San Diego, CA 92127
U.S.A.
Telephone Number: 858-942-2230

This device complies with part 15 of the FCC Rules. Operation is subject to the following two conditions: (1) This device may not cause harmful interference, and (2) this device must accept any interference received, including interference that may cause undesired operation.

This transmitter must not be co-located or operating in conjunction with any other antenna or transmitter.

For the customers in Canada

This device complies with Industry Canada licence-exempt RSS standard(s). Operation is subject to the following two conditions: (1) this device may not cause interference, and (2) this device must accept any interference, including interference that may cause undesired operation of the device.

For the customers in the U.S.A. and Canada

Radiated Exposure Statement:

The product complies with the US/Canadian portable RF exposure limit set forth for an uncontrolled environment and is safe for intended operation as described in this manual. The further RF exposure reduction can be achieved if the product can be kept as far as possible from the user body or if the device is set to lower output power if such function is available.

For the customers in Canada

CAN ICES-3 (B)/NMB-3(B)

For kundene i Norge

Dette utstyret kan kobles til et IT-strømfordelingssystem.

For the customers in Europe

Notice for customers: the following information is only applicable to equipment sold in Countries applying EU directives.



Bulgarian	С настоящето Сони Корпорация декларира, че VPL-HW65/VPL-HW45 отговаря на основните изисквания и другите съответстващи клаузи на Директива 1999/5/ЕС. Подробности може да намерите на Интернет страницата : http://www.compliance.sony.de/ .
Croatian	Ovime Sony Corporation izjavljuje da je VPL-HW65/VPL-HW45 u skladu s osnovnim zahtjevima i ostalim relevantnim odredbama direktive 1999/5/EZ. Dodatne informacije potražite na sljedećoj internet adresi: http://www.compliance.sony.de/

Czech	Sony Corporation tímto prohlašuje, že tento VPL-HW65/VPL-HW45 je ve shodě se základními požadavky a dalšími příslušnými ustanoveními směrnice 1999/5/ES. Podrobnosti lze získat na následující URL: http://www.compliance.sony.de/
Danish	Undertegnede Sony Corporation erklærer herved, at følgende udstyr VPL-HW65/VPL-HW45 overholder de væsentlige krav og øvrige relevante krav i direktiv 1999/5/EF. For yderligere information gå ind på følgende hjemmeside: http://www.compliance.sony.de/
Dutch	Hierbij verklaart Sony Corporation dat het toestel VPL-HW65/VPL-HW45 in overeenstemming is met de essentiële eisen en de andere relevante bepalingen van richtlijn 1999/5/EG. Nadere informatie kunt u vinden op: http://www.compliance.sony.de/
English	Hereby, Sony Corporation, declares that VPL-HW65/VPL-HW45 is in compliance with the essential requirements and other relevant provisions of the Directive 1999/5/EC. For details, please access the following URL : http://www.compliance.sony.de/
Estonian	Sony Corporation kinnitab käesolevaga seadme VPL-HW65/VPL-HW45 vastavust 1999/5/EÜ direktiivi põhinõuetele ja nimetatud direktiivist tulenevatele teistele asjakohastele sätetele. Üksikasjalikum info: http://www.compliance.sony.de/ .
Finnish	Sony Corporation vakuuttaa täten että VPL-HW65/VPL-HW45 tyyppinen laite on direktiivin 1999/5/EY oleellisten vaatimusten ja sitä koskevien direktiivin muiden ehtojen mukainen. Halutessasi lisätietoja, käy osoitteessa: http://www.compliance.sony.de/
Greek	Με την παρούσα η Sony Corporation δηλώνει ότι VPL-HW65/VPL-HW45 συμμορφώνεται προς της ουσιώδεις απαιτήσεις και τις λοιπές σχετικές διατάξεις της οδηγίας 1999/5/EK. Για λεπτομέρειες παρακαλούμε όπως ελέγξετε την ακόλουθη σελίδα του διαδικτύου: http://www.compliance.sony.de/
Hungarian	Alulírott, Sony Corporation nyilatkozom, hogy a(z) VPL-HW65/VPL-HW45 megfelel a vonatkozó alapvető követelményeknek és az 1999/5/EC irányelv egyéb előírásainak. További információkat a következő weboldalon találhat: http://www.compliance.sony.de/
Latvian	Ar šo Sony Corporation deklarē, ka VPL-HW65/VPL-HW45 atbilst Direktīvas 1999/5/EK būtiskajām prasībām un citiem ar to saistītajiem noteikumiem. Plašāka informācija ir pieejama: http://www.compliance.sony.de/
Lithuanian	Šiuo Sony Corporation deklaruoja, kad šis VPL-HW65/VPL-HW45 atitinka esminius reikalavimus ir kitas 1999/5/EB Direktyvos nuostatas. Susipažinti su visu atitikties deklaracijos turiniu Jūs galite interneto tinklalapyje: http://www.compliance.sony.de/
Norwegian	Sony Corporation erklærer herved at VPL-HW65/VPL-HW45 er i samsvar med de grunnleggende krav og øvrige relevante krav i direktiv 1999/5/EF. For flere detaljer, vennligst se: http://www.compliance.sony.de/

Polish	Niniejszym Sony Corporation oświadcza, że VPL-HW65/VPL-HW45 jest zgodne z zasadniczymi wymaganiami oraz innymi stosownymi postanowieniami Dyrektywy 1999/5/WE. Szczegółowe informacje znaleźć można pod następującym adresem URL: http://www.compliance.sony.de/
Portuguese	Sony Corporation declara que este VPL-HW65/VPL-HW45 está conforme com os requisitos essenciais e outras disposições da Directiva 1999/5/CE. Para mais informacoes, por favor consulte a seguinte URL: http://www.compliance.sony.de/
Romanian	Prin prezenta, Sony Corporation declară că VPL-HW65/VPL-HW45 respectă cerințele esențiale și este în conformitate cu prevederile Directivei 1999/5/EC. Pentru detalii, vă rugăm accesați următoarea adresă: http://www.compliance.sony.de/
Slovak	Sony Corporation týmto vyhlasuje, že VPL-HW65/VPL-HW45 spĺňa základné požiadavky a všetky príslušné ustanovenia Smernice 1999/5/ES. Podrobnosti získate na nasledovnej webovej adrese: http://www.compliance.sony.de/
Slovenian	Sony Corporation izjavlja, da je ta VPL-HW65/VPL-HW45 v skladu z bistvenimi zahtevami in ostalimi relevantnimi določili direktive 1999/5/ES. Za podrobnosti vas naprošamo, če pogledate na URL: http://www.compliance.sony.de/
Swedish	Härmed intygar Sony Corporation att VPL-HW65/VPL-HW45 står i överensstämmelse med de väsentliga egenskapskrav och övriga relevanta bestämmelser som framgår av direktiv 1999/5/EG. För ytterligare information gå in på följande hemsida: http://www.compliance.sony.de/
Turkish	Sony Corporation, VPL-HW65/VPL-HW45 ürünü için gerekli tüm testleri 1999/5/EC Direktifine göre yapmış bulunmaktadır. Daha detaylı bilgi için lütfen web sayfasını ziyaret ediniz: URL: http://www.compliance.sony.de/

Caution on replacement/disposal of the battery for the 3D glasses

Danger of explosion if battery is incorrectly replaced.

Replace only with the same or equivalent type recommended by the manufacturer.

When you dispose of the battery, you must obey the law in the relative area or country.

For the Customers in Brazil only Apenas para clientes no Brasil

DESCARTE DE PILHAS E BATERIAS



Após o uso, as pilhas e/ou baterias deverão ser entregues ao estabelecimento comercial ou rede de assistência técnica autorizada.

Pilhas e Baterias não recarregáveis Atenção:

Verifique as instruções de uso do aparelho certificando-se de que as polaridades (+) e (-) estão no sentido indicado. As pilhas poderão vazar ou explodir se as polaridades forem invertidas, expostas ao fogo, desmontadas ou recarregadas.

Evite misturar com pilhas de outro tipo ou com pilhas usadas, transportá-las ou armazená-las soltas, pois aumenta o risco de vazamento.

Retire as pilhas caso o aparelho não esteja sendo utilizado, para evitar possíveis danos na eventualidade de ocorrer vazamento.

As pilhas devem ser armazenadas em local seco e ventilado.

No caso de vazamento da pilha, evite o contato com a mesma. Lave qualquer parte do corpo afetado com água abundante. Ocorrendo irritação, procure auxílio médico.

Não remova o invólucro da pilha.

Mantenha fora do alcance das crianças. Em caso de ingestão procure auxílio médico imediatamente.

Türkiye'deki müşteriler için AEEE Yönetmeliğine Uygundur

للعلماء في الإمارات العربية المتحدة

For Customers in UAE (United Arab Emirates)

TRA

REGISTERED No: ER0115212/13

DEALER No: DA0065531/11

For the customers in the U.S.A.

SONY LIMITED WARRANTY - Please visit <http://www.sony.com/psa/warranty> for important information and complete terms and conditions of Sony's limited warranty applicable to this product.

For the customers in Canada

SONY LIMITED WARRANTY - Please visit <http://www.sonybiz.ca/pro/lang/en/ca/article/resources-warranty-product-registration> for important information and complete terms and conditions of Sony's limited warranty applicable to this product.

For the customers in Europe

Sony Professional Solutions Europe - Standard Warranty and Exceptions on Standard Warranty.

Please visit <http://www.pro.sony.eu/warranty> for important information and complete terms and conditions.

For the customers in Korea

SONY LIMITED WARRANTY - Please visit <http://bpeng.sony.co.kr/handler/BPAS-Start> for important information and complete terms and conditions of Sony's limited warranty applicable to this product.

Precautions

On safety

- Check that the operating voltage of your unit is identical with the voltage of your local power supply.
- Should any liquid or solid object fall into the cabinet, unplug the unit and have it checked by qualified personnel before operating it further.
- Unplug the unit from the wall outlet if it is not to be used for several days.
- To disconnect the cord, pull it out by the plug. Never pull the cord itself.
- The wall outlet should be near the unit and easily accessible.
- The unit is not disconnected to the AC power source (mains) as long as it is connected to the wall outlet, even if the unit itself has been turned off.
- Do not look into the lens while the lamp is on.
- Do not place your hand or objects near the ventilation holes. The air coming out is hot.

On preventing internal heat build-up

After you turn off the power with the I/O (ON/STANDBY) button, do not disconnect the unit from the wall outlet while the cooling fan is still running.

Caution

This unit is equipped with ventilation holes (intake) and ventilation holes (exhaust). Do not block or place anything near these holes, or internal heat build-up may occur, causing picture degradation or damage to the unit.

On repacking

Save the original shipping carton and packing material; they will come in handy if you ever have to ship your unit. For maximum protection, repack your unit as it was originally packed at the factory.

On watching 3D video images

Safety precautions

- You should only use the 3D glasses for watching 3D video images.
- If you observe flickering or flashing, turn off the lighting in the room.
- Not for use by children without proper adult supervision.
- Be careful not to pinch your fingers in hinges of the 3D glasses when bending the temple frames.
- Do not drop or modify these 3D glasses.
- If these glasses are broken, keep broken pieces away from your mouth or eyes.

On LCD Projector

The LCD projector is manufactured using high-precision technology. You may, however, see tiny black points and/or bright points (red, blue, or green) that continuously appear on the LCD projector. This is a normal result of the manufacturing process and does not indicate a malfunction. Also, when you use multiple LCD projectors to project onto a screen, even if they are of the same model, the color reproduction among projectors may vary, since color balance may be set differently from one projector to the next.

On condensation

If the room temperature where the projector is installed changes rapidly, or if the projector is moved suddenly from a cold to a warm place, condensation in the projector may occur. As the condensation may cause malfunction, be careful in adjusting temperature settings of the air conditioner. If condensation occurs, leave the projector turned on for about two hours before use.

Notes on security (VPL-HW65 only)

- SONY WILL NOT BE LIABLE FOR DAMAGES OF ANY KIND RESULTING FROM A FAILURE TO IMPLEMENT PROPER SECURITY MEASURES ON TRANSMISSION DEVICES, UNAVOIDABLE DATA LEAKS RESULTING FROM TRANSMISSION SPECIFICATIONS,

OR SECURITY PROBLEMS OF ANY KIND.

- Depending on the operating environment, unauthorized third parties on the network may be able to access the unit. When connecting the unit to the network, be sure to confirm that the network is protected securely.
- From a safety standpoint, when using the unit connected with the network, it is strongly recommended to access the Control window via a Web browser and change the access limitation settings from the factory preset values (refer to “Using Network Features” in the Operating Instructions).
Changing the password regularly is also recommended.
- Do not browse any other website in the Web browser while making settings or after making settings. Since the login status remains in the Web browser, close the Web browser when you complete the settings to prevent unauthorized third parties from using the unit or harmful programs from running.

Note

SONY WILL NOT BE LIABLE FOR DAMAGES OF ANY KIND RESULTING FROM THE USE OF THIS UNIT FOR PURPOSES OTHER THAN GENERAL HOME USE, EITHER DURING THE WARRANTY PERIOD OR AFTER EXPIRATION OF THE WARRANTY.

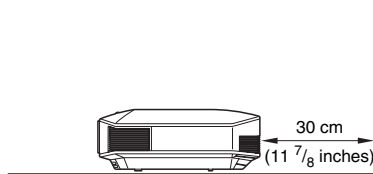
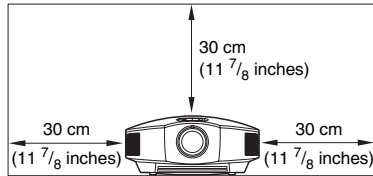
Notes on Installation and Usage

Unsuitable installation

Do not place the unit in the following situations, which may cause malfunction or damage to the unit.

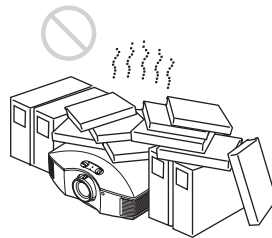
Near walls

To maintain the performance and reliability of the unit, leave space between walls and the unit as illustrated.



Poorly ventilated location

Leave space of more than 30 cm (11 7/8 inches) around the unit.

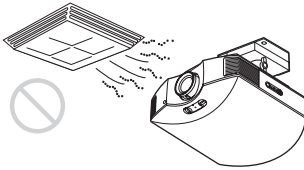


Hot and humid



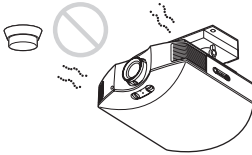
Locations subject to direct cool or warm air from an air-conditioner

Installing the unit in such a location may cause a malfunction of the unit due to moisture condensation or rise in temperature.



Near a heat or smoke sensor

Malfunction of the sensor may occur.



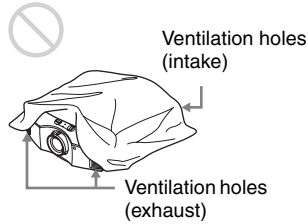
Very dusty and extremely smoky locations



Unsuitable Conditions

Do not do any of the following while using the unit.

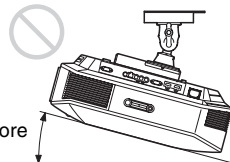
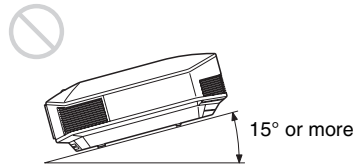
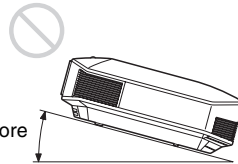
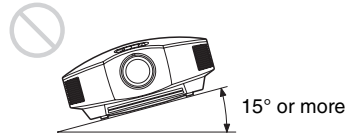
Blocking the ventilation holes (intake or exhaust)

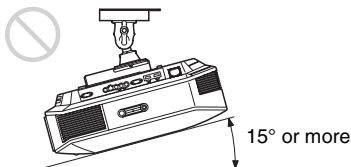


Tilting front/rear and left/right


Avoid using the unit tilted at an angle of more than 15 degrees.

Do not install the unit anywhere other than on a level surface or on the ceiling. Installing the unit in such a location may result in uneven color uniformity or reduce the reliability of the effects of the lamp. If the unit is tilted up or down, the image on the screen may be trapezoidal. Position the unit so that the lens is parallel to the screen.





When installing the unit at high altitudes

When using the unit at an altitude of 1,500 m (approx. 4,900 ft) or higher, set “High Altitude Mode” on the Setup  menu to “On”. Failing to set this mode when using the unit at high altitudes could have adverse effects, such as reducing the reliability of certain components.

Safety precautions for installing the unit on a ceiling

- Never mount the projector on the ceiling or move it by yourself. Be sure to consult with qualified Sony personnel (charged).
- When installing the unit on a ceiling, be sure to use a safety wire, etc., to prevent the unit from falling. Entrust the installation to an experienced contractor or installer.

For dealers

- When the projector is mounted on the ceiling, a Sony bracket or recommended equivalent must be used for installation.
- Be sure to secure the cabinet cover firmly when installing to the ceiling firmly.

Checking the Supplied Accessories

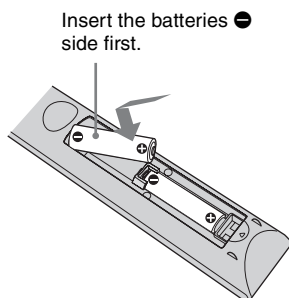
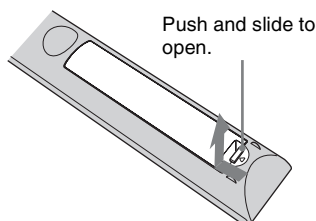
Check the carton to make sure it contains the following items:

- Remote control RM-PJ28 (1)
- Size AA (R6) manganese batteries (2)
- AC power cord (1)
- Lens cap (1)

When you have purchased the projector, the lens cap is put onto the lens. Remove this lens cap when you use the projector.

- Quick Reference Manual (this manual) (1)
- Operating Instructions (CD-ROM) (1)

Inserting the Batteries into the Remote Control



CAUTION

Danger of explosion if battery is incorrectly replaced.

Replace only with the same or equivalent type recommended by the manufacturer.

When you dispose of the battery, you must obey the law in the relative area or country.

Caution

Two size AA (R6) batteries are supplied for Remote Control.

To avoid risk of explosion, use size AA (R6) manganese or alkaline batteries.

Caution about handling the remote control

- Handle the remote control with care. Do not drop or step on it, or spill liquid of any kind onto it.
- Do not place the remote control in a location near a heat source, a place subject to direct sunlight, or a damp room.

Using the CD-ROM manual

The manual can be read on a computer with Adobe Reader installed.

You can download Adobe Reader free from the Adobe website.

- 1 Open the index.html file in the CD-ROM.
- 2 Select and click on the manual that you want to read.

Note

If you have lost or damaged the CD-ROM, you can purchase a new one from your Sony dealer or Sony service counter.

Step 2

Installing the Unit

- 1 Position the unit so that the lens is parallel to the screen.
- 2 After connecting the AC power cord to the unit, plug the AC power cord into a wall outlet.

Top of the unit

ON/STANDBY



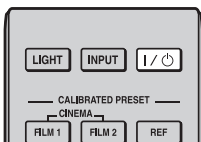
Lights in red.

Note

After connecting the AC power cord to the unit, the ON/STANDBY indicator may blink in orange.

You may not be able to control the unit while the indicator is blinking, but this is not a malfunction. Wait until it stops blinking and remains lit in red.

- 3 Press the I/⏻ (ON/STANDBY) button to turn on the unit.



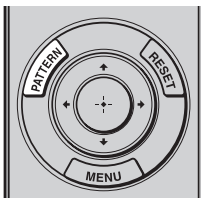
Top of the unit

ON/STANDBY

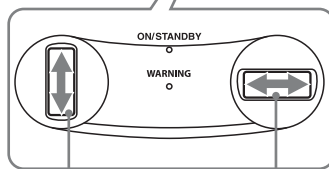
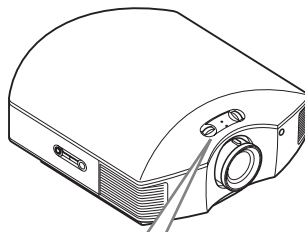


Flashes in green for a while (tens of seconds) and then lights in green.

- 4 Press the PATTERN button to display a test signal for performing adjustments.



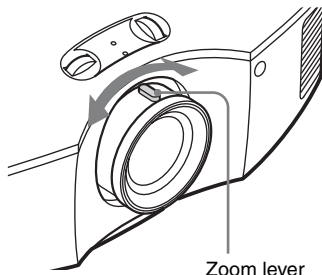
- 1 Move both lens shift dials to adjust the picture position.



To adjust the vertical position

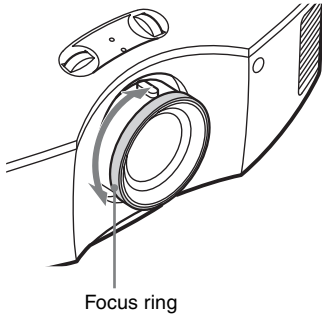
To adjust the horizontal position

- 2 Adjust the picture size using the zoom lever.

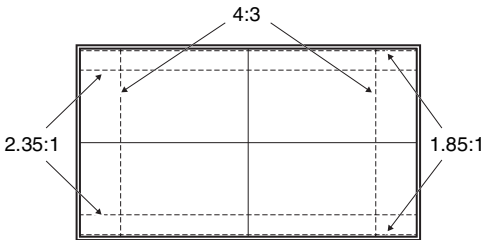


Zoom lever

3 Adjust the focus using the focus ring.



Lens adjustment window (test pattern)



The dashed lines show the screen sizes of each aspect ratio.

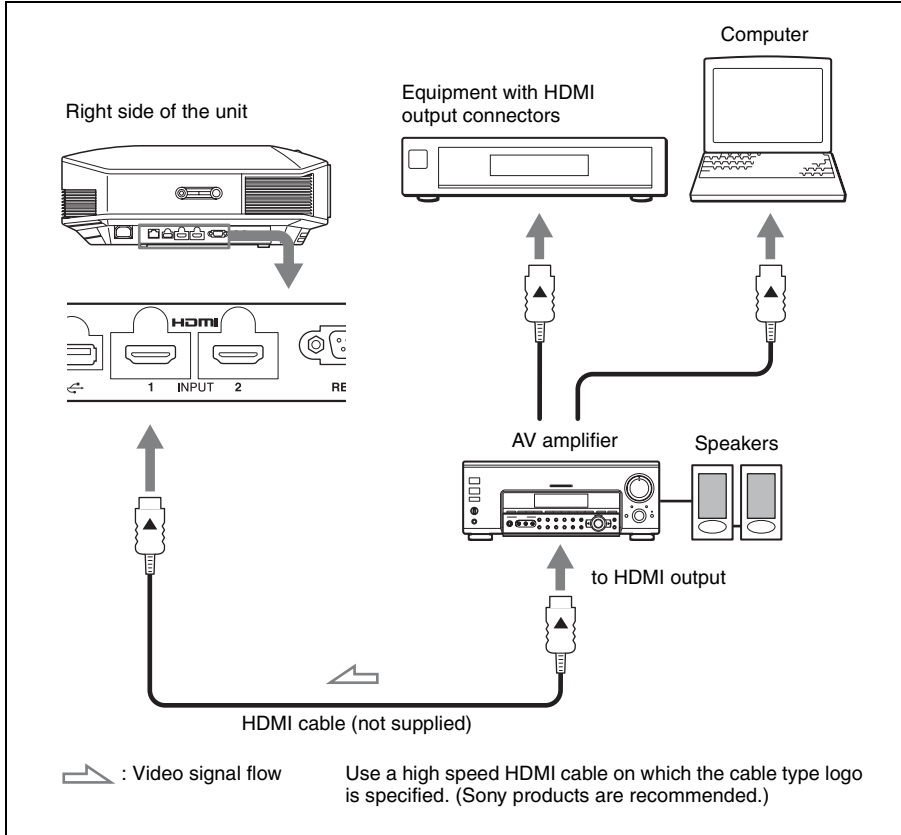
For more information, refer to "Connections and Preparations" in the Operating Instructions contained in the supplied CD-ROM.

Step 3

Connecting the Unit

When making connections, be sure to do the following:

- Turn off all equipment before making any connections.
- Use the proper cables for each connection.
- Insert the cable plugs properly; poor connection at the plugs may cause a malfunction or poor picture quality. When pulling out a cable, be sure to pull it out from the plug, not the cable itself.
- Refer to the operating instructions of the connected equipment.



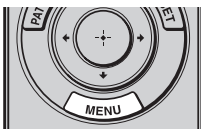
For more information, refer to “Connections and Preparations” in the Operating Instructions contained in the supplied CD-ROM.

Step 4

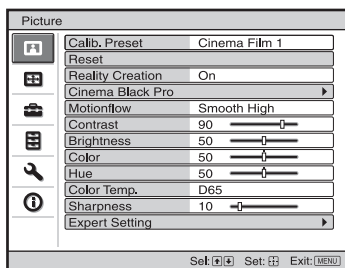
Selecting the Menu Language


You can select the language for displaying the menu and other on-screen displays. The factory default setting is English. To change the current menu language, set the desired language with the menu screen.

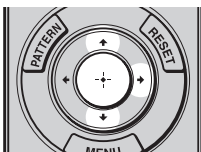
- 1 Press MENU.



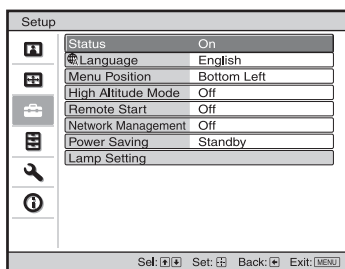
The menu appears.



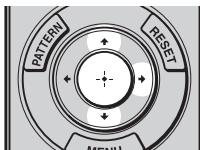
- 2 Press \uparrow/\downarrow to select the Setup  menu, and press \rightarrow or \odot .



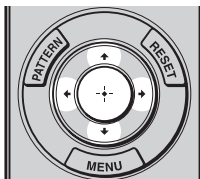
The setting items of the selected menu appear.



- 3 Press \uparrow/\downarrow to select "Language," and press \rightarrow or \odot .



- 4 Press $\uparrow/\downarrow/\leftarrow/\rightarrow$ to select a language, and press \odot .



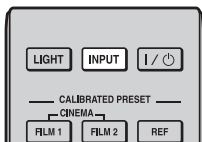
The menu changes to the selected language.

To clear the menu

Press MENU.

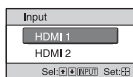
Projecting the Picture

- 1 Turn on both the unit and the equipment connected to the unit.
- 2 Press INPUT to display the input palette on the screen.



- 3 Select the equipment from which you want to display images.

Press INPUT repeatedly or press **↑/↓/⊕** (enter) to select the equipment from which to project.



Example: To view the picture from the video equipment connected to the HDMI 1 connector of this unit.

Turning Off the Power

- 1 Press the I/⏻ (ON/STANDBY) button.
A message “POWER OFF?” appears on the screen.
- 2 Press the I/⏻ (ON/STANDBY) button again before the message disappears.
The ON/STANDBY indicator flashes in green and the fan continues to run to reduce the internal heat.

The fan stops and the ON/STANDBY indicator changes from flashing green to remaining red.

The power is turned off completely, and you can disconnect the AC power cord.

Note

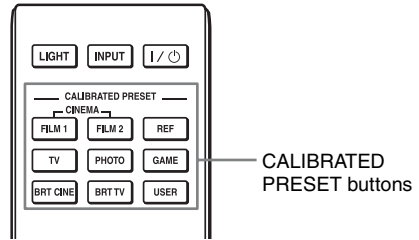
Never disconnect the AC power cord while the indicator is flashing.

You can turn off the unit by holding the I/⏻ (ON/STANDBY) button for about 1 second, instead of performing the above steps.

For more information, refer to “Projecting” in the Operating Instructions contained in the supplied CD-ROM.

Selecting the Picture Viewing Mode

Press one of the CALIBRATED PRESET buttons.



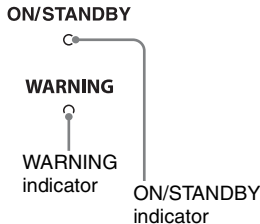
Setting items	Description
CINEMA FILM 1	Picture quality suited to reproducing the highly dynamic and clear images typical of master positive film.
CINEMA FILM 2	Picture quality suited to reproducing the rich tone and color typical of a movie theater.
REF	A picture quality setup suitable for when you want to reproduce faithfully the original image quality, or for enjoying image quality, without any adjustment.
TV	Picture quality suited for watching TV programs, sports, concerts, etc.
PHOTO	Ideal for projecting still images taken with a digital camera.
GAME	Picture quality suited to gaming, with well-modulated colors and fast response.
BRT CINE	Picture quality suited for watching movies in a bright environment, such as a living room.
BRT TV	Picture quality suited for watching TV programs, sports, concerts, and other video images in a bright environment, such as a living room.
USER	Adjusts the picture quality to suit your taste then saves the setting. The factory default setting is the same as "REF."

For more information, refer to "Projecting" in the Operating Instructions contained in the supplied CD-ROM.

Error Handling

Warning Indicators

The ON/STANDBY or WARNING indicator lights up or flashes if there is any trouble with your projector.



Flashing/Lighting indicators	The number of flashes	Cause and Remedy
ON/STANDBY ○	Twice	Close the lamp cover securely, then tighten the screws securely. Close the filter holder securely.
WARNING ☀ (Flashes in red)	Three times	The temperature of lamp is unusually high. Turn off the power and wait for the lamp to cool, then turn on the power again. If the symptom persists, the lamp may be at the end of its service life. In this case, replace the lamp with a new one.
ON/STANDBY ☀ (Flashes in red)	Twice	The internal temperature is unusually high. Check to ensure that if nothing is blocking the ventilation holes or whether or not the unit is being used at high altitudes.
WARNING ☀ (Flashes in red) Both indicators flash	Three times	The fan is broken. Consult with qualified Sony personnel.

Note

When a warning indicator other than the above starts flashing, and the symptom persists even after carrying out the above methods, consult with qualified Sony personnel.

If there is any problem or an error message appears on the screen, refer to "Troubleshooting" in the Operating Instructions contained in the supplied CD-ROM.

Maintenance

Replacing the Lamp

Tools you need to get started:

- Projector Lamp LMP-H210 (optional)
- Standard Phillips screwdriver
- Cloth (for scratch protection)

The lamp used for the light source has a certain lifespan. When the lamp dims, the color balance of the picture becomes strange, or “Please replace the Lamp/Filter.” appears on the screen, the lamp may be exhausted. Replace the lamp with a new one without delay.

Use an LMP-H210 Projector Lamp as the replacement lamp.

The air filter is supplied with the LMP-H210 Projector Lamp. When you replace the lamp, it is also time to replace the air filter.

Whenever you replace the lamp, be sure to replace the air filter with a new one. Also clean the ventilation holes (intake).

Tip

The lifespan of the lamp used for the light source changes depending on the installation environment or use conditions. You can use the lamp longer by avoiding turning the lamp off until several minutes pass after turning the lamp on.

Caution

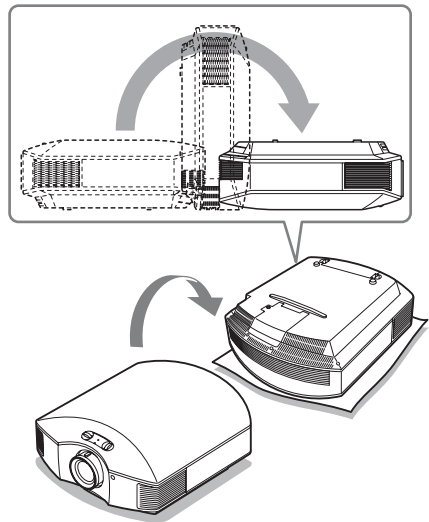
- The lamp remains hot after the unit is turned off with the I/O (ON/STANDBY) button. If you touch the lamp, you may burn your fingers. When you replace the lamp, wait for at least 1 hour for the lamp to cool.
- Do not touch the surface of the lamp. If you touch it, wipe off the fingerprints with a soft cloth.
- Pay special attention to replacing the lamp when the unit is installed on the ceiling.
- When removing the lamp unit, make sure it remains horizontal, then pull straight up. Do not tilt the lamp unit. If you pull out the lamp unit while tilted and if the lamp breaks, the pieces may scatter, causing injury.

- When you remove the air filter, be careful not to let any dust fall into the projector.
- Replacing the air filter is crucial to maintain the good performance of the projector or to prevent malfunction to it. When a warning message for replacing the air filter appears, replace the air filter immediately.

Notes

- Be sure to use an LMP-H210 Projector Lamp for replacement. If you use lamps other than the LMP-H210, the unit may malfunction.
- Be sure to turn off the unit and unplug the power cord before replacing the lamp, then check the ON/STANDBY indicator has already been turned off.

- 1 Turn off the projector and unplug the AC power cord.
- 2 When setting the projector on a flat surface such as a desk etc., put a cloth to prevent the surface from being scratched. Reverse the projector as illustrated, then place it on the cloth.

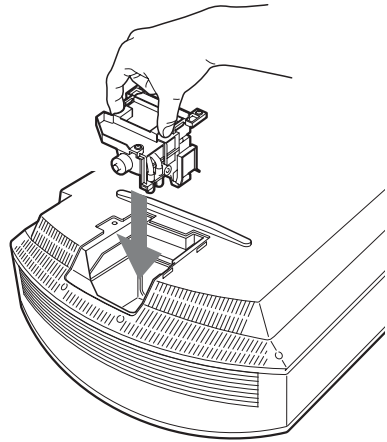
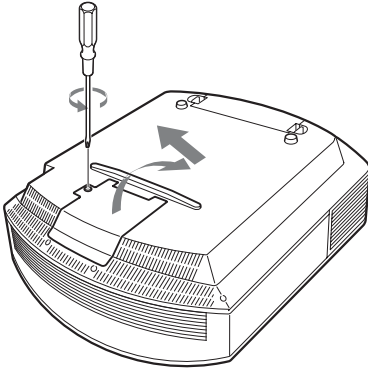


Notes

- When the lamp is damaged the broken pieces of the lamp may become scattered, if you do not reverse the projector. This may cause injury.

- Be sure that the projector is placed on a stable surface.

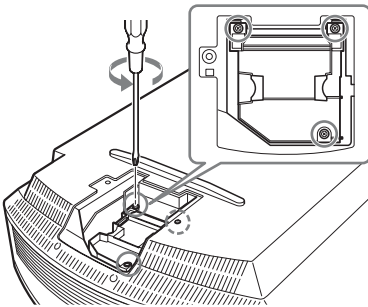
- 3** Loosen the screw on the lamp cover with a Philips screwdriver, and then open the lamp cover.



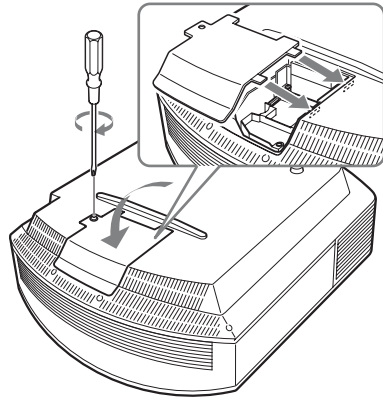
Note

Be careful not to touch the optical block inside the unit.

- 4** Loosen the 3 screws on the lamp with the Phillips screwdriver. Hold up the handle, then pull the lamp straight out.

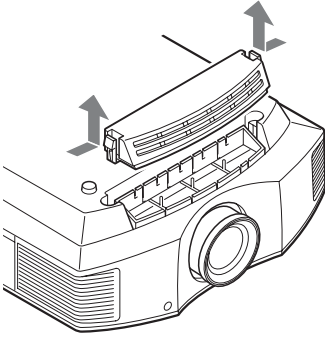


- 6** Close the lamp cover, then tighten the screws.

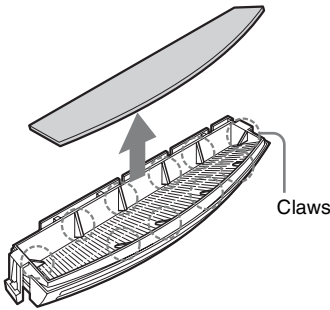


- 5** Hold the handle of the new lamp and push it in securely until it reaches the end, and then tighten the 3 screws.

7 Remove the filter holder.



8 Remove the air filter.



9 Attach the new air filter so that it fits into each claws (10 positions) on the filter holder.

Note

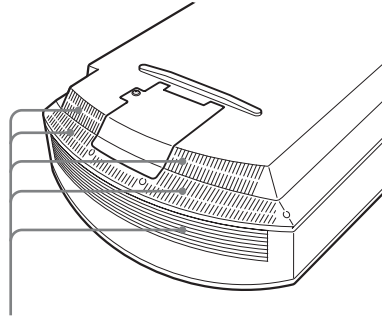
Attach the air filter aligning it with the shape of the filter holder. Also, do not touch the fan after removing the air filter that is set deep inside the projector.

10 Attach the filter holder.

Note


The projector will not turn on unless the filter holder is securely closed.

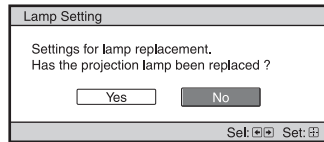
11 Wipe dust off the ventilation holes (intake) with a soft cloth.



Ventilation holes (intake)

12 Place the unit back on its original position.

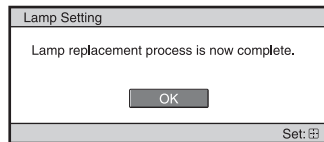
13 Turn on the unit, then select the lamp setting item on the Setup  menu. The menu screen below will be appeared.



Tip

If "Settings Lock" is set to "Level B," set to "Off" once.

14 Select "Yes."



Caution

Do not put your hands into the lamp replacement slot, and do not allow any liquid or other objects into the slot to avoid electrical shock or fire.

Notes

- The unit will not turn on unless the lamp is securely installed in place.

- The unit will not turn on unless the lamp cover are securely closed.
- To clear a message displayed on the screen, press any button either on the remote control or the control panel of the unit once.

Note

The lamp contains mercury. The disposal rules for used fluorescent tubes depend on where you live. Follow the waste disposal policy in your area.

Disposal of the used lamp**For the customers in the U.S.A. and Canada**

(Hg) Lamp contains mercury. Dispose according to applicable local, state/province and federal laws.

For additional information, see www.sony.com/mercury

Cleaning the Air Filter

When “Please clean the filter.” appears on the screen, you should clean the air filter. The air filter should be cleaned every 1,500 hours. This value varies depending on the environment or how the projector is used. 1,500 hours are approximate. After washing the air filter with a mild detergent solution, dry it in a shaded place.

Notes

- When you clean the air filter, make sure you do not damage it.
For details on how to attach and remove the air filter, see “Replacing the Lamp” Steps 7 to 10 (page 22).
- When you remove the air filter, be careful not to let any dust fall into the projector.
- Cleaning the air filter is crucial to maintain the good performance of the projector or to prevent malfunction to it. When a warning message for cleaning the air filter appears, clean the air filter immediately.

A propos du Guide de référence rapide

Ce Guide de référence rapide décrit l'installation et les procédures de base de projection des images. Vous y trouverez également des mises en garde et des remarques importantes qu'il convient de respecter au cours de la manipulation et de l'utilisation de cet appareil. Le cas échéant, reportez-vous aux sections « Indicateurs d'avertissement », « Remplacement de la lampe » et « Nettoyage du filtre à air ».

Pour plus d'informations sur l'utilisation, reportez-vous au Mode d'emploi que vous trouverez sur le CD-ROM fourni.

Etape 1

Préparation Page 8

Etape 2

Installation de l'appareil Page 9

Etape 3

Raccordement de l'appareil Page 11

Etape 4

Sélection de la langue du menu Page 12

Etape 5

Projection..... Page 13

Gestion des erreurs

Indicateurs d'avertissement Page 15

Entretien

Remplacement de la lampe..... Page 16

Nettoyage du filtre à air..... Page 19

Avant d'utiliser l'appareil, veuillez lire attentivement ce manuel et le conserver pour future référence.

AVERTISSEMENT

Afin de réduire les risques d'incendie ou d'électrocution, ne pas exposer cet appareil à la pluie ou à l'humidité. Afin d'écartier tout risque d'électrocution, garder le coffret fermé. Ne confier l'entretien de l'appareil qu'à un personnel qualifié.

AVERTISSEMENT

CET APPAREIL DOIT ÊTRE RELIÉ À LA TERRE.

AVERTISSEMENT

Lors de l'installation de l'appareil, incorporer un dispositif de coupure dans le câblage fixe ou brancher la fiche d'alimentation dans une prise murale facilement accessible proche de l'appareil. En cas de problème lors du fonctionnement de l'appareil, enclencher le dispositif de coupure d'alimentation ou débrancher la fiche d'alimentation.

ATTENTION

À propos du connecteur LAN (VPL-HW65 uniquement)

Par mesure de sécurité, ne raccordez pas le connecteur pour le câblage de périphériques pouvant avoir une tension excessive à ce port.

AVERTISSEMENT

1. Utilisez un cordon d'alimentation (câble secteur à 3 fils)/fiche femelle/fiche mâle avec des contacts de mise à la terre conformes à la réglementation de sécurité locale applicable.
2. Utilisez un cordon d'alimentation (câble secteur à 3 fils)/fiche femelle/fiche mâle avec des caractéristiques nominales (tension, ampérage) appropriées.

Pour toute question sur l'utilisation du cordon d'alimentation/fiche femelle/fiche mâle ci-dessus, consultez un technicien du service après-vente qualifié.

À propos des lunettes 3D

Les lunettes 3D affichent des signaux 3D en communiquant avec le projecteur via la technologie Bluetooth.

a) bandes de fréquences utilisées par l'équipement radioélectrique:

2.4 - 2.4835 GHz

b) puissance de radiofréquence maximale transmise sur les bandes de fréquences utilisées par l'équipement radioélectrique:

4.30 dBm (E.I.R.P.)



Comme pour n'importe quelle source de lumière vive, ne regardez pas fixement le faisceau, RG2 IEC 62471-5: 2015.

Pour les clients au Canada

Cet appareil est conforme à la (aux) norme(s) RSS exempté(s) de licence d'Industrie Canada. Son opération est sujette aux deux conditions suivantes : (1) cet appareil ne peut pas causer des interférences nuisibles, et (2) cet appareil doit accepter toutes les interférences reçues, y compris celles qui peuvent causer un fonctionnement non désiré.

Déclaration d'exposition aux radiations:

Le produit est conforme aux limites d'exposition pour les appareils portables RF pour les États-Unis et le Canada établies pour un environnement non contrôlé. Le produit est sûr pour un fonctionnement tel que décrit dans ce manuel. La réduction aux expositions RF peut être augmentée si l'appareil peut être conservé aussi loin que possible du corps de l'utilisateur ou que le dispositif est réglé sur la puissance de sortie la plus faible si une telle fonction est disponible.

Pour les clients au Canada

CAN ICES-3 (B)/NMB-3(B)

Pour les clients en Europe

Notice pour les clients : Les informations suivantes ne sont applicables qu'aux équipements vendus dans les pays appliquant les directives de l'union européenne.



Par la présente Sony Corporation déclare que l'appareil VPL-HW65/VPL-HW45 est conforme aux exigences essentielles et aux autres dispositions pertinentes de la directive 1999/5/CE.

Pour toute information complémentaire, veuillez consulter l'URL suivante:
<http://www.compliance.sony.de/>

Attention lors du remplacement/de la mise au rebut de la batterie des lunettes 3D

Il y a danger d'explosion s'il y a remplacement incorrect de la batterie. Remplacer uniquement avec une batterie du même type ou d'un type équivalent recommandé par le constructeur. Lorsque vous mettez la batterie au rebut, vous devez respecter la législation en vigueur dans le pays ou la région où vous vous trouvez.

Pour les clients au Canada **GARANTIE LIMITÉE DE SONY** -

Rendez-vous sur <http://www.sonybiz.ca/pro/lang/en/ca/article/resources-warranty-product-registration> pour obtenir les informations importantes et l'ensemble des termes et conditions de la garantie limitée de Sony applicable à ce produit.

Précautions

Sécurité

- S'assurer que la tension de service de votre projecteur est identique à la tension locale.
- Si du liquide ou un objet quelconque venait à pénétrer dans le boîtier, débrancher le projecteur et le faire vérifier par un technicien qualifié avant la remise en service.
- Débrancher le projecteur de la prise murale en cas de non-utilisation pendant plusieurs jours.
- Pour débrancher le cordon, le tirer par la fiche. Ne jamais tirer sur le cordon lui-même.
- La prise murale doit se trouver à proximité du projecteur et être facile d'accès.
- Le projecteur n'est pas déconnecté de la source d'alimentation tant qu'il reste branché à la prise murale, même s'il a été mis hors tension.
- Ne pas regarder dans l'objectif lorsque la lampe est allumée.
- Ne pas placer la main ou des objets à proximité des orifices de ventilation. L'air expulsé est brûlant.

Prévenir l'accumulation de chaleur interne

Après avoir mis l'appareil hors tension au moyen du bouton I/⏻ (marche/veille), ne pas le débrancher de la prise murale tant que le ventilateur de refroidissement tourne.

Mise en garde

Cet appareil est doté d'orifices de ventilation (prise d'air et sortie d'air). Ne pas obstruer ces orifices et ne rien placer à proximité car ceci risquerait de provoquer une surchauffe interne pouvant entraîner une altération de l'image ou un endommagement de l'appareil.

Remballage

Conserver le carton d'emballage original et le matériel d'emballage ; ils seront très utiles si l'on doit un jour expédier l'appareil. Pour

assurer une protection maximale, remballer l'appareil tel qu'il avait été emballé en usine.

A propos du visionnage d'images vidéo 3D

Consignes de sécurité

- Vous devez seulement porter les lunettes 3D pour regarder des images vidéo 3D.
- Si vous observez des scintillements ou des éclairs, éteignez l'éclairage.
- Cet appareil n'est pas destiné à être utilisé par des enfants sans la surveillance d'un adulte.
- Veillez à ne pas vous pincer les doigts dans les charnières des lunettes 3D lorsque vous repliez les branches.
- Ne laissez pas tomber ou ne modifiez pas ces lunettes 3D.
- Si ces lunettes sont cassées, éloignez les débris de la bouche ou des yeux.

Projecteur LCD

Le projecteur LCD est fabriqué au moyen d'une technologie de haute précision. Il se peut toutefois que vous constatiez que de petits points noirs et/ou lumineux (rouges, bleus ou verts) apparaissent continuellement sur le projecteur LCD. Ceci est un résultat normal du processus de fabrication et n'est pas le signe d'un dysfonctionnement.

Si vous utilisez plusieurs projecteurs LCD pour projeter sur un écran, la reproduction des couleurs peut varier selon les projecteurs, même s'ils sont du même modèle. Ceci est dû au fait que l'équilibre des couleurs peut être réglé différemment sur les projecteurs.

Remarque concernant la condensation

Si la pièce dans laquelle le projecteur est installé subit de brusques changements de températures ou si vous déplacez le projecteur d'un endroit froid à un endroit chaud, de la condensation peut se former à l'intérieur du projecteur. Étant donné que la condensation peut provoquer un dysfonctionnement, réglez la température de votre climatiseur avec précaution. Si de la condensation se forme, laissez le projecteur

allumé pendant deux heures avant de l'utiliser.

Remarques sur la sécurité (VPL-HW65 uniquement)

• **Sony ne peut être tenue responsable de tout dommage, de quelque nature que ce soit, résultant d'une incapacité à mettre en place des mesures de sécurité adaptées pour les dispositifs de transmission, de fuites de données inévitables dues aux spécifications de transmission ou de tout autre problème de sécurité.**

- Selon l'environnement d'exploitation, il est possible que des tiers non autorisés sur le réseau puissent accéder à l'appareil. Avant de connecter l'appareil au réseau, vérifiez que le réseau est bien protégé.
- Pour des raisons de sécurité, lors de l'utilisation de cet appareil connecté au réseau, il est fortement recommandé d'accéder à la fenêtre de commande via un navigateur Web et de modifier la limitation d'accès des valeurs d'usine pré-réglées (reportez-vous à la section « Utilisation des fonctionnalités réseau » du Mode d'emploi).

Il est par ailleurs recommandé de modifier régulièrement le mot de passe.

- Ne consultez aucun autre site Web dans le navigateur Web pendant ou après la configuration. Étant donné que l'état de connexion est conservé dans le navigateur Web, fermez ce dernier lorsque la configuration est terminée pour empêcher tout tiers non autorisé d'utiliser l'appareil ou d'exécuter des programmes malveillants.

Remarque

SONY NE PEUT ÊTRE TENUE RESPONSABLE DE TOUT DOMMAGE, DE QUELQUE NATURE QUE CE SOIT, RÉSULTANT DE L'UTILISATION DE CET APPAREIL À D'AUTRES FINS QU'UN USAGE DOMESTIQUE ORDINAIRE PENDANT LA PÉRIODE DE GARANTIE OU APRÈS L'EXPIRATION DE CELLE-CI.

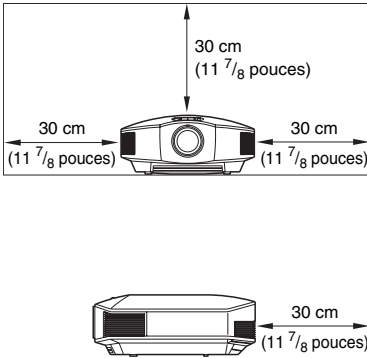
Remarques sur l'installation et l'utilisation

Installation déconseillée

Ne pas placer l'appareil dans les positions suivantes, ce qui risquerait de provoquer un dysfonctionnement ou des dommages.

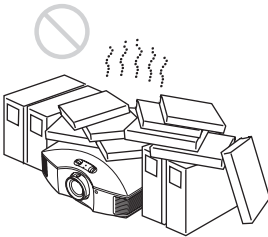
Murs proches

Afin de maintenir les performances et la fiabilité de l'appareil, laisser un dégagement entre les murs et l'appareil tel qu'illustré.



Mauvaise ventilation

Laisser un dégagement de plus de 30 cm (11 7/8 pouces) autour de l'appareil.

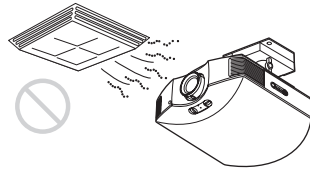


Endroits chauds et humides



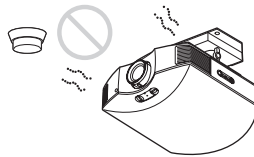
Endroits directement exposés au souffle froid ou chaud d'un climatiseur

L'installation de l'appareil dans de tels endroits pourrait provoquer un dysfonctionnement sous l'effet de la condensation d'humidité ou de l'élévation de température.



Proximité d'un détecteur de chaleur ou de fumée

Il pourrait en résulter un dysfonctionnement du capteur.



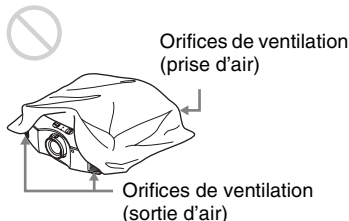
Endroits très poussiéreux ou enfumés



Conditions inappropriées

Éviter ce qui suit pendant l'utilisation de l'appareil.

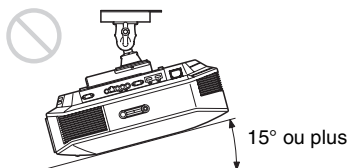
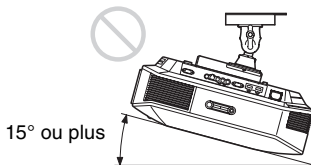
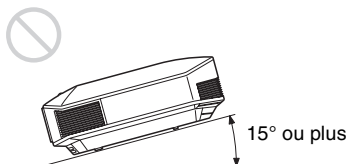
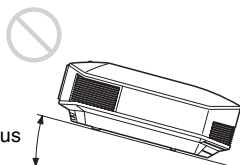
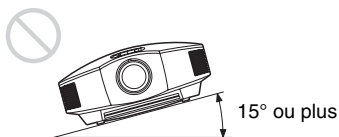
Bloquer les orifices de ventilation (prise ou sortie d'air)



Inclinaison vers l'avant/arrière et vers la gauche/droite

Éviter d'incliner l'appareil à un angle supérieur à 15 degrés pour l'utiliser. Ne pas installer l'appareil ailleurs que sur une surface de niveau ou au plafond. L'installation de l'appareil dans un tel emplacement peut affecter l'uniformité des couleurs ou réduire la fiabilité des effets de la lampe.

Si l'appareil est incliné vers le haut ou le bas, l'image à l'écran peut être trapézoïdale. Positionner l'appareil de façon à ce que l'objectif soit parallèle à l'écran.



Lors de l'installation de l'appareil à haute altitude

Lorsque vous utilisez l'appareil à une altitude de 1 500 m (environ 4 900 pi) ou plus, réglez « Mode haute altit. » dans le menu Réglage sur « On ». Si vous n'activez pas ce mode lors d'une utilisation à haute altitude, ceci pourra affecter le projecteur (diminution de la fiabilité de certaines pièces, par exemple).

Précautions de sécurité relatives à l'installation de l'appareil au plafond

- N'installez jamais le projecteur au plafond et ne le déplacez jamais par vos propres moyens. Veillez à vous adresser à un technicien Sony agréé (service payant).
- Lorsque vous installez l'appareil au plafond, veillez à utiliser un fil de sécurité, par exemple, pour l'empêcher de tomber. Confiez l'installation à un professionnel ou à un installateur expérimenté.

Pour les revendeurs

- Quand le projecteur est fixé au plafond, un support Sony ou un support équivalent recommandé doit être utilisé pour l'installation.
- Vous devez fermer le couvercle du cabinet solidement lors de l'installation au plafond.

Vérification des accessoires fournis

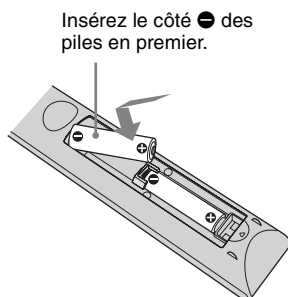
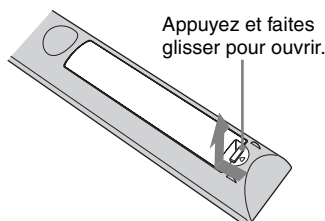
Vérifiez si le carton renferme bien tous les éléments suivants :

- Télécommande RM-PJ28 (1)
- Piles de format AA (R6) au manganèse (2)
- Cordon d'alimentation secteur (1)
- Bouchon d'objectif (1)

Lorsque vous avez acheté le projecteur, le bouchon d'objectif était placé sur ce dernier. Retirez ce bouchon d'objectif lorsque vous utilisez le projecteur.

- Guide de référence rapide (ce manuel) (1)
- Mode d'emploi (CD-ROM) (1)

Insertion des piles dans la télécommande



ATTENTION

Il y a danger d'explosion s'il y a remplacement incorrect de la batterie. Remplacer uniquement avec une batterie du même type ou d'un type équivalent recommandé par le constructeur.

Lorsque vous mettez la batterie au rebut, vous devez respecter la législation en vigueur dans le pays ou la région où vous vous trouvez.

Attention

Deux piles de format AA (R6) sont fournies pour la télécommande. Pour éviter tout risqué d'explosion, utilisez des piles de format AA (R6) au manganèse ou des piles alcalines.

Précautions relatives à la manipulation de la télécommande

- Manipulez la télécommande avec précautions. Ne renversez aucun liquide sur la télécommande, ne la laissez pas tomber et ne marchez pas dessus.
- Ne placez pas la télécommande à proximité d'une source de chaleur, dans un endroit exposé aux rayons directs du soleil ou dans une pièce humide.

Utilisation du manuel sur CD-ROM

Vous devez installer Adobe Reader sur votre ordinateur pour pouvoir lire ce manuel. Vous pouvez télécharger Adobe Reader gratuitement depuis le site Web d'Adobe.

- 1 Ouvrez le fichier index.htm situé sur le CD-ROM.
- 2 Sélectionnez le manuel que vous souhaitez lire, puis cliquez sur ce dernier.

Remarque

Si vous avez perdu ou endommagé le CD-ROM, vous pouvez acheter un CD-ROM de remplacement auprès de votre représentant Sony ou du service clientèle Sony.

Etape 2

Installation de l'appareil

- 1 Positionner l'appareil de façon à ce que l'objectif soit parallèle à l'écran.
- 2 Après avoir branché le cordon d'alimentation à l'unité, branchez-le sur une prise murale.

Partie supérieure de l'appareil

ON/STANDBY



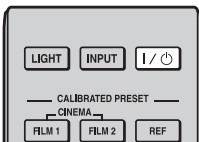
S'allume en rouge.

Remarque

Une fois le cordon d'alimentation secteur raccordé à l'unité, l'indicateur ON/STANDBY peut clignoter en orange.

Vous ne pourrez peut-être pas commander l'unité pendant que l'indicateur clignote, mais ce n'est pas un dysfonctionnement. Attendez que l'indicateur cesse de clignoter et devienne rouge fixe.

- 3 Appuyez sur le bouton I/⏻ (ON/STANDBY) pour mettre l'appareil sous tension.



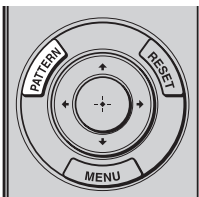
Partie supérieure de l'appareil

ON/STANDBY

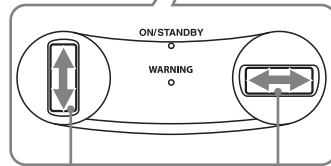
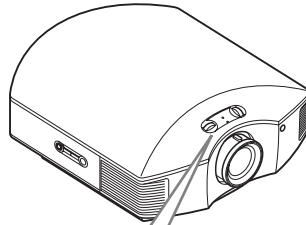


Clignote en vert pendant un moment (quelques dizaines de secondes) puis s'allume en vert.

- 4 Appuyez sur le bouton PATTERN pour afficher un signal de test en vue de procéder aux réglages.



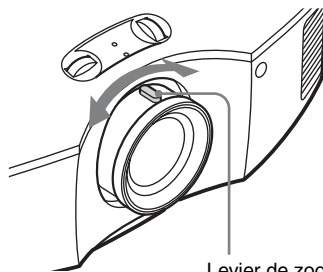
- 1 **Tourner les molettes de déplacement d'objectif pour régler la position de l'image.**



Pour régler la position verticale

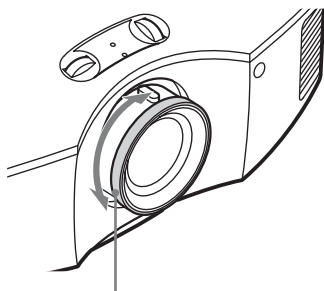
Pour régler la position horizontale

- 2 **Régler la taille de l'image à l'aide du levier de zoom.**



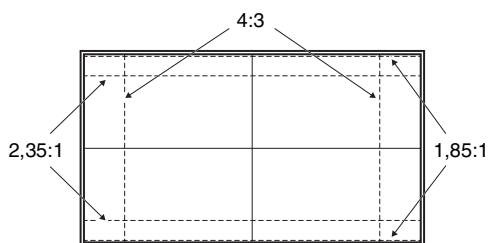
Levier de zoom

③ Régler la mise au point à l'aide de la bague de mise au point.



Bague de mise au point

Fenêtre de réglage de l'objectif (mire d'essai)

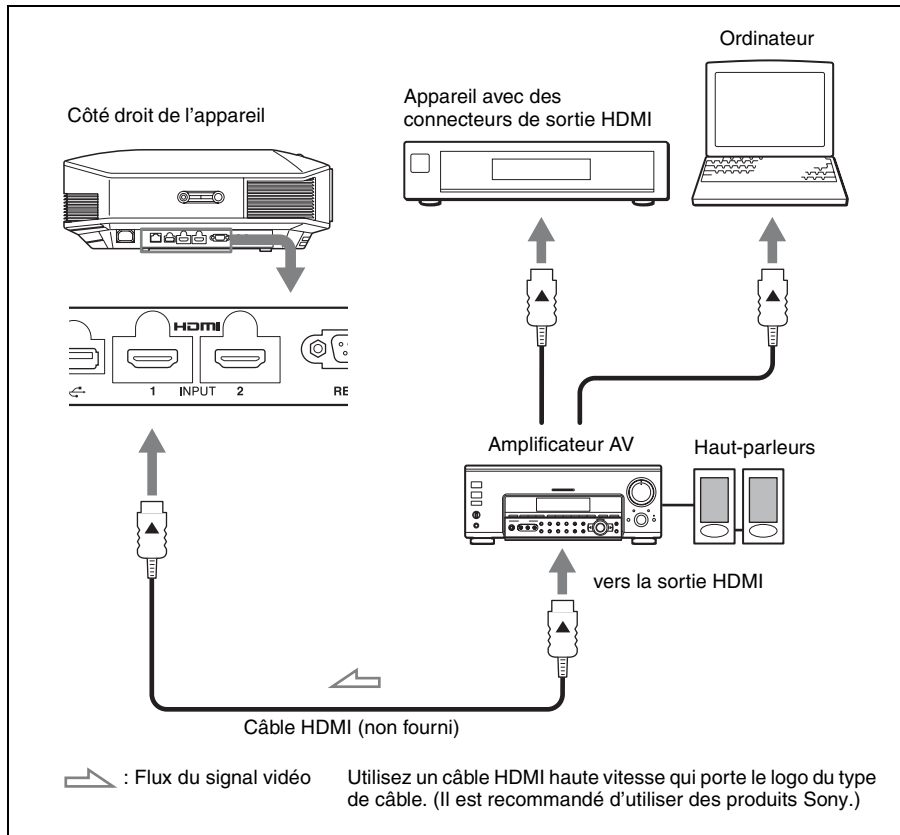


Les lignes pointillées indiquent les tailles d'écran de chaque rapport de format.

Pour plus d'informations reportez-vous à « Connexions et préparatifs » dans le Mode d'emploi que vous trouverez sur le CD-ROM fourni.

Lors de l'exécution des raccordements, vous devez procéder comme suit :

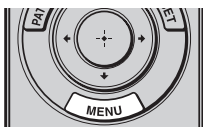
- Mettez tous les appareils hors tension avant tout raccordement.
- Utilisez les câbles appropriés pour chaque raccordement.
- Insérez correctement les fiches de câble ; le mauvais raccordement des fiches peut entraîner un dysfonctionnement ou une piètre qualité d'image. Débranchez les câbles en les tenant par leur fiche. Ne tirez pas sur le câble proprement dit.
- Reportez-vous au mode d'emploi de l'appareil à raccorder.



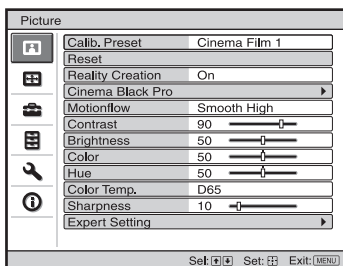
Pour plus d'informations reportez-vous à « Connexions et préparatifs » dans le Mode d'emploi que vous trouverez sur le CD-ROM fourni.

Vous pouvez sélectionner la langue d'affichage du menu et d'autres affichages à l'écran. Le réglage en usine par défaut est l'anglais. Pour changer la langue actuelle du menu, choisissez la langue désirée grâce à l'écran de menu.

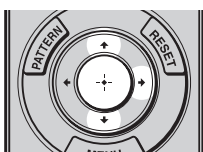
1 Appuyer sur MENU.



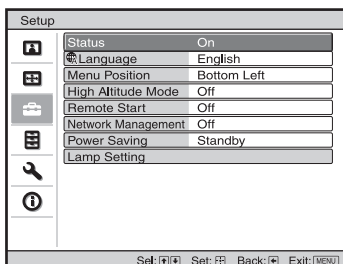
Le menu apparaît.



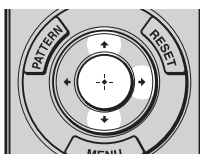
2 Appuyer sur ↑/↓ pour sélectionner le menu Setup, puis appuyer sur → ou ↻.



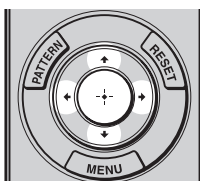
Les options de réglage du menu sélectionné apparaissent.



3 Appuyer sur ↑/↓ pour sélectionner « Language », puis appuyer sur → ou ↻.



4 Appuyer sur ↑/↓/←/→ pour sélectionner une langue, puis appuyer sur ↻.

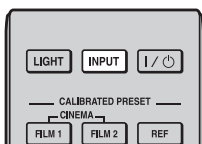


La langue du menu devient celle que vous avez sélectionnée.

Pour faire disparaître le menu
Appuyer sur MENU.

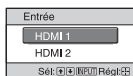
Projection de l'image

- 1 Mettez sous tension cet appareil et l'appareil qui y est raccordé.
- 2 Appuyez sur INPUT pour afficher la palette d'entrée sur l'écran.



- 3 Sélectionnez le périphérique à partir duquel vous voulez afficher les images.

Appuyez plusieurs fois sur INPUT ou appuyez sur (entrée) pour sélectionner le périphérique à utiliser pour la projection.



Exemple : Pour afficher l'image provenant de l'équipement vidéo raccordé au connecteur HDMI 1 de cet appareil.

Mise hors tension

- 1 Appuyez sur le bouton I/⏻ (ON/STANDBY).
Le message « METTRE HORS TENSION? » apparaît sur l'écran.
- 2 Appuyez une nouvelle fois sur le bouton I/⏻ (ON/STANDBY) avant que le message disparaisse.
L'indicateur ON/STANDBY clignote en vert et le ventilateur continue à tourner pour abaisser la température interne.

Le ventilateur s'arrête et l'indicateur ON/STANDBY cesse de clignoter en vert pour briller en rouge.

L'alimentation s'arrête complètement et vous pouvez débrancher le cordon d'alimentation.

Remarque

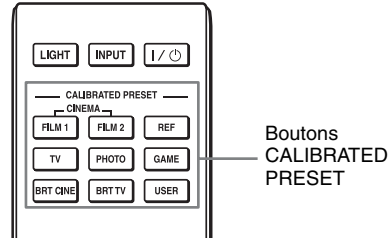
Ne jamais débrancher le cordon d'alimentation lorsque l'indicateur clignote.

Vous pouvez mettre l'appareil hors tension en maintenant le bouton I/⏻ (ON/STANDBY) enfoncé pendant 1 seconde environ, plutôt qu'en suivant les étapes ci-dessus.

Pour plus d'informations reportez-vous à « Projection » dans le Mode d'emploi que vous trouverez sur le CD-ROM fourni.

Sélection du mode d'affichage de l'image

Appuyez sur un des boutons
CALIBRATED PRESET.



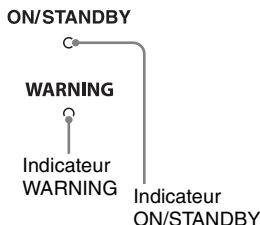
Paramètres	Description
CINEMA FILM 1	Qualité d'image adéquate pour reproduire les images claires et fortement dynamiques qui sont typiques des films positifs originaux.
CINEMA FILM 2	Qualité d'image adéquate pour reproduire les tons et couleurs riches qui sont typiques d'un cinéma.
REF	Un réglage de la qualité d'image adéquat lorsque vous désirez reproduire fidèlement la qualité d'image originale ou profiter de la qualité d'image sans aucun réglage.
TV	Qualité d'image adéquate pour regarder des programmes télévisés, du sport, des concerts, etc.
PHOTO	Idéal pour la projection d'images fixes provenant d'un appareil photo numérique.
GAME	Qualité d'image adéquate pour les jeux vidéo, avec des couleurs bien modulées et une réponse rapide.
BRT CINE	Qualité d'image adéquate pour regarder les films dans un environnement lumineux, comme un séjour.
BRT TV	Qualité d'image adéquate pour regarder des programmes TV, du sport, des concerts et d'autres images vidéo dans un environnement lumineux, comme un séjour.
USER	Règle la qualité de l'image selon vos souhaits puis enregistre les paramètres. Le réglage par défaut d'usine est similaire à « REF ».





Pour plus d'informations reportez-vous à « Projection » dans le Mode d'emploi que vous trouverez sur le CD-ROM fourni.

Gestion des erreurs

Indicateurs d'avertissement

L'indicateur ON/STANDBY ou WARNING s'allume ou clignote en cas de problème quelconque sur le projecteur.



Clignotement/Éclairage des indicateurs	Le nombre de clignotements	Cause et remède
ON/STANDBY 	Deux fois	Fermez bien le couvercle de la lampe, puis vissez-le solidement. Fermez convenablement le support à filtre.
WARNING  (Clignote en rouge)	Trois fois	La température de la lampe est anormalement élevée. Mettez hors tension et attendez que la lampe se refroidisse, puis remettez sous tension. Si ce symptôme persiste, la lampe a peut-être atteint la fin de sa durée de service. Dans ce cas, remplacez la lampe par une neuve.
ON/STANDBY  (Clignote en rouge)	Deux fois	La température à l'intérieur du projecteur est anormalement élevée. Assurez-vous que rien ne colmate les orifices de ventilation et que l'appareil n'est pas utilisé à haute altitude.
WARNING  (Clignote en rouge) Les deux indicateurs clignotent	Trois fois	Le ventilateur est défectueux. Consultez le service après-vente Sony.

Remarque

Lorsqu'un indicateur d'avertissement autre que celui ci-dessus commence à clignoter et que le symptôme persiste même après avoir effectué les opérations ci-dessus, consultez le service après-vente Sony.

En cas de problème ou si un message d'erreur apparaît à l'écran, reportez-vous à « Dépannage » dans le Mode d'emploi que vous trouverez sur le CD-ROM fourni.

Remplacement de la lampe

Voici les outils dont vous avez besoin pour commencer :

- Une lampe pour projecteur LMP-H210 (en option)
- Un tournevis cruciforme standard
- Un chiffon (pour protéger des éraflures)

La durée de service de la lampe utilisée comme source de lumière est limitée. Lorsque la lampe faiblit, la balance des couleurs de l'image devient bizarre, ou « Remplacer la lampe/filtre. » apparaît sur l'écran. La lampe est peut-être épuisée. Remplacez la lampe par une neuve sans tarder.

Utilisez une lampe pour projecteur LMP-H210 comme lampe de rechange.

Un filtre à air est fourni avec la lampe pour projecteur LMP-H210. Lorsque l'on remplace la lampe, il est également temps de remplacer le filtre à air.

Il faut toujours remplacer le filtre à air par un neuf lorsque l'on remplace la lampe.

Nettoyez également les orifices de ventilation (prise d'air).

Conseil

La durée de vie de la lampe utilisée pour la source lumineuse varie selon l'environnement d'installation ou les conditions d'utilisation. Vous pouvez utiliser la lampe plus longtemps en patientant plusieurs minutes avant de l'éteindre, si vous venez juste de l'allumer.

Mise en garde

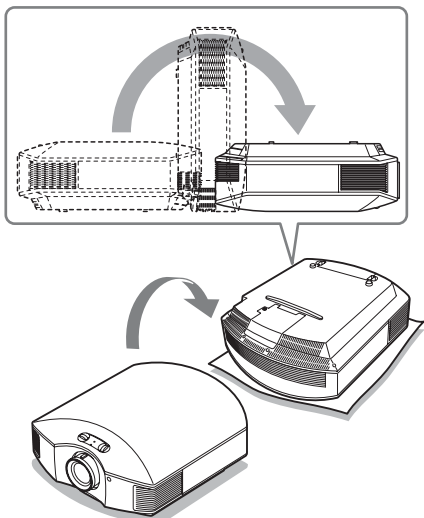
- La lampe reste chaude après la mise hors tension de l'appareil avec le bouton I/⏻ (ON/STANDBY). Ne la touchez pas, car vous pourriez vous brûler les doigts. Avant de remplacer la lampe, attendez au moins 1 heure pour lui permettre de refroidir.
- Ne touchez pas la surface de la lampe. Si vous la touchez, essuyez les empreintes digitales avec un chiffon doux.
- Prêtez une attention spéciale au remplacement de la lampe lorsque l'appareil est installé au plafond.
- Lorsque vous retirez la lampe, assurez-vous qu'elle reste en position horizontale, puis soulevez-la directement vers le haut. N'inclinez pas la lampe. Si vous retirez la lampe alors qu'elle est inclinée et si elle se casse, des morceaux peuvent s'éparpiller et entraîner des blessures.
- Lors du retrait du filtre à air, procédez prudemment pour éviter que de la poussière ne pénètre dans le projecteur.
- Remplacer le filtre à air est crucial pour maintenir la bonne performance du projecteur ou pour empêcher son dysfonctionnement. Lorsqu'un message d'avertissement pour remplacer le filtre à air apparaît, remplacez aussitôt celui-ci.

Remarques

- Il faut utiliser une lampe pour projecteur LMP-H210 pour le remplacement. Si une lampe autre que LMP-H210 est utilisée, l'appareil risque de mal fonctionner.
- Assurez-vous de mettre l'appareil hors tension et de débrancher le cordon d'alimentation avant de remplacer la lampe, puis vérifiez que l'indicateur ON/STANDBY est déjà éteint.

- 1 Mettez le projecteur hors tension et débranchez le cordon d'alimentation secteur.

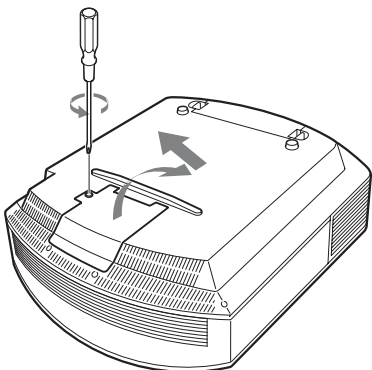
- 2** Lorsque le projecteur est sur une surface plane comme un bureau, etc., mettez un chiffon sous l'appareil pour éviter de rayer la surface. Retournez le projecteur tel qu'illustré, puis placez-le sur le chiffon.



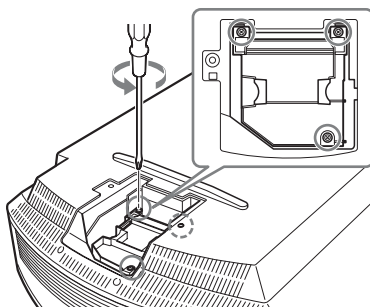
Remarques

- Lorsque la lampe se casse, des morceaux peuvent s'éparpiller si vous ne retournez pas le projecteur. Cela peut entraîner des blessures.
- Assurez-vous que le projecteur est posé sur une surface stable.

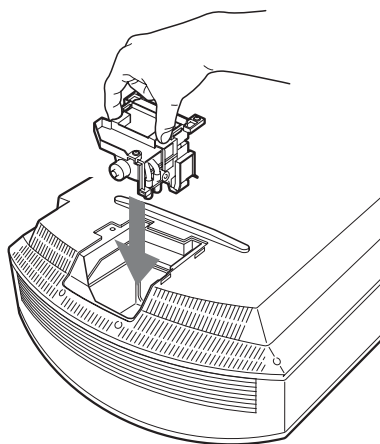
- 3** Desserrez la vis du couvercle de lampe avec un tournevis cruciforme, puis ouvrez le couvercle de lampe.



- 4** Desserrez les 3 vis de la lampe à l'aide du tournevis cruciforme. Maintenez la poignée vers le haut et retirez la lampe.



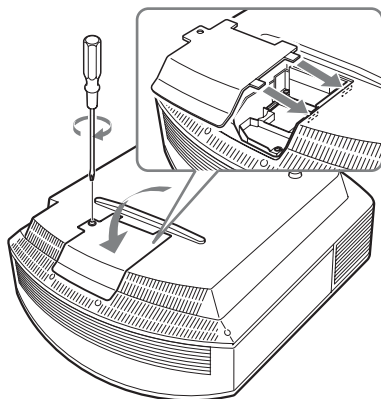
- 5** Tenez la poignée de la nouvelle lampe avec la main, puis poussez celle-ci à l'intérieur entièrement avant de resserrer les 3 vis.



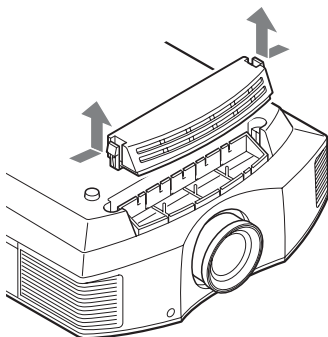
Remarque

Veillez à ne pas toucher le bloc optique à l'intérieur du projecteur.

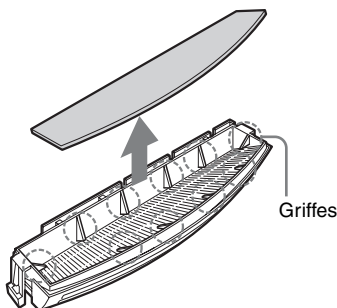
- 6** Fermez le couvercle de la lampe, puis vissez-le solidement.



- 7** Retirez le support du filtre.



- 8** Retirez le filtre à air.



- 9** Fixez le nouveau filtre à air de façon à ce qu'il entre dans chacune des griffes (10 positions) du support du filtre.

Remarque

Fixez le filtre à air en l'alignant à la forme du support du filtre.

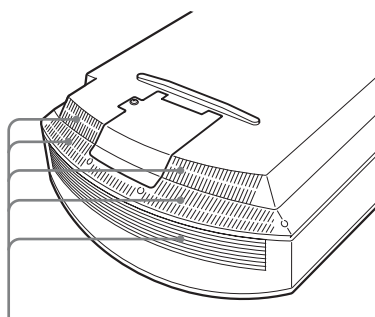
Par ailleurs, ne touchez pas le ventilateur après avoir retiré le filtre à air installé au fond du projecteur.

- 10** Fixez le support du filtre.

Remarque


Le projecteur ne se mettra sous tension que si le support du filtre est bien fermé.

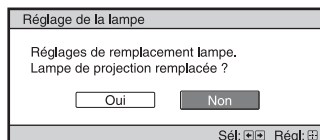
- 11** Dépoussiérez les orifices de ventilation (prise d'air) à l'aide d'un chiffon.



Orifices de ventilation (prise d'air)

- 12** Remettez l'appareil dans sa position normale.

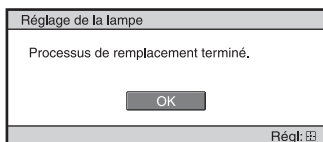
- 13** Mettez l'appareil sous tension, puis sélectionnez l'option de réglage de la lampe dans le menu Réglage . L'écran du menu ci-dessous s'affiche.



Conseil

Si l'option « Verrou réglages » est définie sur « Niveau B », configurez-la une fois sur « Off ».

14 Sélectionnez « Oui ».



Mise en garde

N'introduisez pas les doigts dans la fente de remplacement de la lampe et veillez à ce qu'aucun liquide ou objet ne tombe à l'intérieur de la fente pour éviter tout risque d'électrocution ou d'incendie.

Remarques

- L'appareil ne se mettra sous tension que si la lampe est bien mise en place.
- L'appareil ne se mettra sous tension que si le couvercle de la lampe est bien fermé.
- Pour effacer un message affiché à l'écran, appuyez une fois sur un bouton quelconque de la télécommande ou du panneau de commande de l'appareil.

Remarque

La lampe contient du mercure. La réglementation en matière de mise au rebut pour les tubes fluorescents dépend de votre lieu de résidence. Respectez la politique d'élimination des déchets de votre région.

Mettre à disposition de la lampe usagée

Pour les clients aux États-Unis et au Canada

(Hg) La lampe contient du mercure. Disposez selon les lois locales, provinciales et fédérales applicables. Pour de plus amples informations, voir www.sony.com/mercury

Nettoyage du filtre à air

Lorsque « Nettoyer le filtre. » apparaît sur l'écran, vous devez nettoyer le filtre à air. Le filtre à air doit être nettoyé toutes les 1 500 heures. Cette fréquence dépend de l'environnement et de la manière dont le projecteur est utilisé. La fréquence de nettoyage approximative est de 1 500 heures.

Après avoir nettoyé le filtre à air avec une solution désinfectante, séchez-le dans un endroit à l'abri de la lumière.

Remarques

- Lorsque vous nettoyez le filtre à air, assurez-vous de ne pas l'endommager. Pour plus de détails sur la fixation et le retrait du filtre à air, reportez-vous à la rubrique « Remplacement de la lampe » Étapes 7 à 10 (page 18).
- Lors du retrait du filtre à air, procédez prudemment pour éviter que de la poussière pénètre dans le projecteur.
- Nettoyer le filtre à air est crucial pour maintenir la bonne performance du projecteur ou pour empêcher son dysfonctionnement. Lorsqu'un message d'avertissement pour nettoyer le filtre à air apparaît, nettoyez aussitôt celui-ci.

Acerca del Manual de referencia rápida

Este Manual de referencia rápida explica la instalación y las operaciones básicas para proyectar imágenes. También presenta notas y precauciones importantes que deben tenerse muy en cuenta al manipular y utilizar esta unidad.

Consulte “Indicadores de aviso”, “Sustitución de la lámpara” y “Limpieza del filtro de aire” si es necesario.

Para obtener más información sobre las operaciones, consulte el Manual de instrucciones que se incluye en el CD-ROM suministrado.

Paso 1

Preparación Página 8

Paso 2

Instalación de la unidad Página 9

Paso 3

Conexión de la unidad..... Página 11

Paso 4

**Selección del idioma del menú
..... Página 12**

Paso 5

Proyección Página 13

Gestión de errores

Indicadores de aviso Página 15

Mantenimiento

Sustitución de la lámpara Página 16

Limpieza del filtro de aire..... Página 19

Antes de poner en funcionamiento la unidad, lea detenidamente este manual y consérvelo para referencias futuras.

ADVERTENCIA

Para reducir el riesgo de electrocución, no exponga este aparato a la lluvia ni a la humedad. Para evitar descargas eléctricas, no abra el aparato. Solicite asistencia técnica únicamente a personal especializado.

ADVERTENCIA
ESTE APARATO DEBE CONECTARSE A TIERRA.

ADVERTENCIA

Al instalar la unidad, incluya un dispositivo de desconexión fácilmente accesible en el cableado fijo, o conecte el enchufe de alimentación a una toma de corriente fácilmente accesible cerca de la unidad. Si se produce una anomalía durante el funcionamiento de la unidad, accione el dispositivo de desconexión para desactivar la alimentación o desconecte el enchufe de alimentación.

PRECAUCIÓN

Acerca del conector LAN (solo VPL-HW65)

Por razones de seguridad, no enchufe a este puerto un conector de cableado de dispositivo periférico que pueda tener una tensión excesiva.

ADVERTENCIA

1. Utilice un cable de alimentación (cable de alimentación de 3 hilos)/conector/enchufe del aparato recomendado con toma de tierra y que cumpla con la normativa de seguridad de cada país, si procede.
2. Utilice un cable de alimentación (cable de alimentación de 3 hilos)/conector/enchufe del aparato que cumpla con los valores nominales correspondientes en cuanto a tensión e intensidad.

Si tiene alguna duda sobre el uso del cable de alimentación/conector/enchufe del aparato, consulte a un técnico de servicio cualificado.

Acerca de las gafas 3D

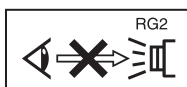
Las gafas 3D se comunican con el proyector a través de la tecnología Bluetooth para mostrar las señales 3D.

a) banda o bandas de frecuencia en las que opera el equipo radioeléctrico:

2.4 - 2.4835 GHz

b) potencia máxima de radiofrecuencia transmitida en la banda o bandas de frecuencia en las que opera el equipo radioeléctrico:

4.30 dBm (E.I.R.P.)



Al igual que con cualquier fuente de luz brillante, no mire fijamente al haz de luz, RG2 IEC 62471-5: 2015.

Para los clientes de Europa

Aviso para los clientes: la siguiente información sólo se aplica a los equipos vendidos en países sometidos a las directivas de la UE.



Por medio de la presente Sony Corporation declara que el VPL-HW65/VPL-HW45 cumple con los requisitos esenciales y cualesquiera otras disposiciones aplicables o exigibles de la Directiva 1999/5/CE. Para mayor información, por favor consulte el siguiente URL:
<http://www.compliance.sony.de/>

Para los clientes de México

Este equipo opera a título secundario, consecuentemente, debe aceptar interferencias perjudiciales incluyendo equipos de la misma clase y puede no causar interferencias a sistemas operando a título primario.

AVISO IMPORTANTE PARA MÉXICO

La operación de este equipo está sujeta a las siguientes dos condiciones: (1) es posible que este equipo o dispositivo no cause interferencia perjudicial y (2) este equipo o dispositivo debe aceptar cualquier interferencia, incluyendo la que pueda causar su operación no deseada.

Para consultar la información relacionada al número del certificado, refiérase a la etiqueta del empaque y/o del producto.

Precaución a la hora de sustituir/desechar la batería de las gafas 3D

Peligro de explosión si se sustituye la batería por una del tipo incorrecto. Reemplace la batería solamente por otra del mismo tipo o de un tipo equivalente recomendado por el fabricante.

Cuando deseche la batería, debe cumplir con las leyes de la zona o del país.

Precauciones

Seguridad

- Compruebe que la tensión de funcionamiento de la unidad sea la misma que la del suministro eléctrico local.
- Si se introduce algún objeto sólido o líquido en la unidad, desenchúfela y haga que sea revisada por personal especializado antes de volver a utilizarla.
- Desenchufe la unidad de la toma mural cuando no vaya a utilizarla durante varios días.
- Para desconectar el cable, tire del enchufe. Nunca tire del propio cable.
- La toma mural debe encontrarse cerca de la unidad y ser de fácil acceso.
- La unidad no estará desconectada de la fuente de alimentación de CA mientras esté conectada a la toma mural, aunque haya apagado la unidad.
- No mire al objetivo mientras la lámpara esté encendida.
- No coloque la mano ni ningún objeto cerca de los orificios de ventilación. El aire que sale es caliente.

Prevención del calentamiento interno

Después de apagar la alimentación con el botón I/⏻ (encendido/espera), no desconecte la unidad de la toma mural mientras el ventilador de refrigeración esté en funcionamiento.

Precaución

Esta unidad está equipada con orificios de ventilación de entrada y de salida. No bloquee dichos orificios ni coloque nada cerca de ellos, ya que si lo hace puede producirse un recalentamiento interno, causando el deterioro de la imagen o daños a la unidad.

Embalaje

Guarde la caja y los materiales de embalaje originales, ya que resultarán útiles cuando tenga que embalar la unidad. Para obtener una máxima protección, vuelva a embalar la

unidad como se embaló originalmente en fábrica.

Sobre la visualización de imágenes de vídeo en 3D

Precauciones de seguridad

- Sólo debe utilizar las gafas 3D para ver imágenes de vídeo en 3D.
- Si observa efectos de oscilación o parpadeo, apague la iluminación de la sala.
- No es adecuado para que lo usen los niños sin la supervisión de un adulto.
- Vigile que los dedos no le queden atrapados en la articulación de las gafas 3D al abrir las varillas.
- No deje caer ni modifique estas gafas 3D.
- Si estas gafas se rompieran, aleje las piezas rotas de la boca y de los ojos.

Proiettore LCD

El proyector LCD está fabricado con tecnología de alta precisión. No obstante, es posible que se observen pequeños puntos negros o brillantes (rojos, azules o verdes), o ambos, de forma continua en el proyector. Se trata de un resultado normal del proceso de fabricación y no indica fallo de funcionamiento.

Además, si utiliza varios proyectores LCD para proyectar en una pantalla, es posible que la reproducción de colores no sea igual en todos los proyectores, incluso si son del mismo modelo, ya que el balance de color puede estar configurado de manera distinta.

Acerca de la condensación

Si la temperatura de la habitación en la que se instala el proyector cambia rápidamente, o si el proyector se traslada súbitamente de un lugar muy frío a uno muy cálido, es posible que se produzca condensación en el proyector. La condensación puede provocar errores de funcionamiento, por lo que debe prestarse atención al ajustar la temperatura del aire acondicionado. Si se produce condensación, deje el proyector encendido durante dos horas antes de utilizarlo.

Notas sobre la seguridad (solo VPL-HW65)

- SONY NO SE HACE RESPONSABLE POR DAÑOS DE NINGÚN TIPO DEBIDOS A LA OMISIÓN DE LAS MEDIDAS DE SEGURIDAD ADECUADAS EN DISPOSITIVOS DE TRANSMISIÓN, FUGAS DE DATOS INEVITABLES DERIVADAS DE LAS ESPECIFICACIONES DE TRANSMISIÓN O PROBLEMAS DE SEGURIDAD DE CUALQUIER TIPO.
- En función del entorno operativo, es posible que terceros no autorizados en la red puedan acceder a la unidad. Al conectar la unidad a la red, confirme siempre que la red está correctamente protegida.
- Desde el punto de vista de la seguridad, al utilizar la unidad conectada a la red, se recomienda encarecidamente acceder a la ventana de control a través de un navegador web y modificar la limitación de acceso de los valores predeterminados de fábrica (consulte “Uso de funciones de red” en el Manual de instrucciones). Asimismo, se recomienda cambiar la contraseña periódicamente.
- No visite otros sitios web con el navegador web mientras ajuste la configuración o justo después. El navegador web recuerda los ajustes de inicio de sesión, por lo que debe cerrarlo al completar la configuración para evitar que terceros no autorizados utilicen la unidad o eviten la instalación de programas maliciosos.

Nota

SONY NO SE HACE RESPONSABLE DE DAÑOS DE NINGÚN TIPO DERIVADOS DE LA UTILIZACIÓN DE ESTA UNIDAD CON FINALIDADES DIFERENTES DE UN USO DOMÉSTICO GENERAL, DURANTE EL PERÍODO DE GARANTÍA O UNA VEZ VENCIDO DICHO PERÍODO.

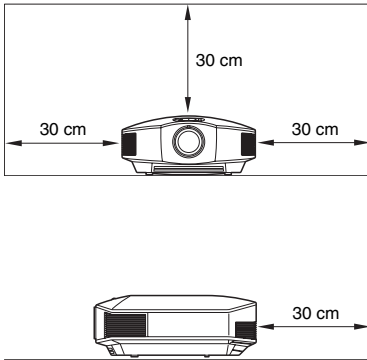
Notas sobre la instalación y el uso

Instalación inadecuada

No ponga la unidad en las siguientes situaciones, en las que puede sufrir daños o averías.

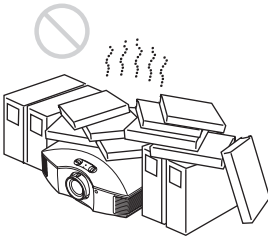
Cerca de paredes

Para conservar el rendimiento y la fiabilidad de la unidad, deje espacio suficiente entre las paredes y la unidad, tal como se ilustra.



Ubicaciones escasamente ventiladas

Deje un espacio superior a 30 cm alrededor de la unidad.

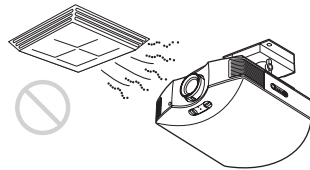


Lugares cálidos y húmedos



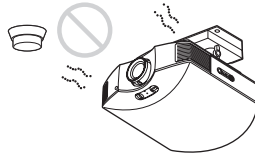
Lugares expuestos a un flujo directo de aire frío o caliente procedente de un aparato de climatización

Si instala la unidad en una ubicación de estas características, la unidad puede averiarse debido a la condensación de humedad o al aumento de temperatura.



Cerca de un sensor de calor o de humo

Puede producirse una avería del sensor.



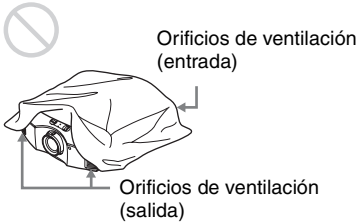
Lugares con mucho polvo o humo excesivo



Condiciones inadecuadas

No haga lo siguiente mientras usa la unidad.

Bloqueo de los orificios de ventilación (entrada o salida)



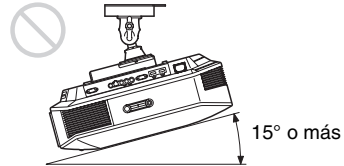
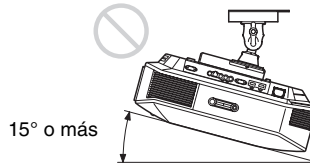
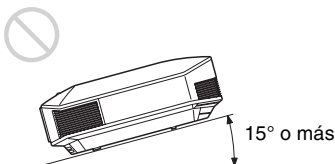
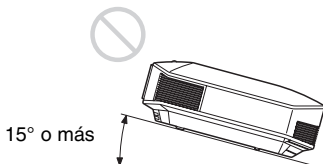
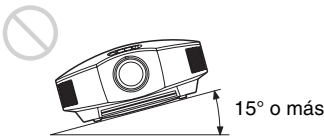
Inclinación adelante/atrás e izquierda/derecha

Evite usar la unidad inclinada con un ángulo de más de 15 grados.


No instale la unidad en un lugar que no sea una superficie horizontal o el techo. La instalación de la unidad en tal ubicación puede provocar irregularidades en la uniformidad del color, o reducir la fiabilidad de los efectos de la lámpara.

Si la unidad está inclinada hacia arriba o hacia abajo, pueden producirse distorsiones trapezoidales en la imagen visualizada en la pantalla.

Coloque la unidad de modo que el objetivo quede paralelo a la pantalla.



Instalación de la unidad a grandes altitudes

Si utiliza la unidad a altitudes de 1.500 m o más, ajuste la opción “Modo gran altitud” del menú Configuración  en “Sí”. Si no se establece este modo cuando se utiliza la unidad a altitudes elevadas pueden producirse efectos adversos, tales como la reducción de la fiabilidad de determinados componentes.

Precauciones de seguridad para instalar la unidad en el techo

- Nunca instale el proyector en el techo ni lo desplace sin ayuda. Pida siempre consejo a un técnico de Sony cualificado (servicio de pago).
- Si instala la unidad en el techo, utilice un cable de seguridad o un sistema similar para evitar que la unidad se desprenda. Confíe siempre la instalación a un proveedor o instalador experimentado.

Para los distribuidores

- Si se instala el proyector en el techo, es necesario utilizar un soporte Sony o un soporte equivalente recomendado.
- Cierre firmemente la tapa de la carcasa cuando lo instale en el techo.

Comprobación de los accesorios suministrados

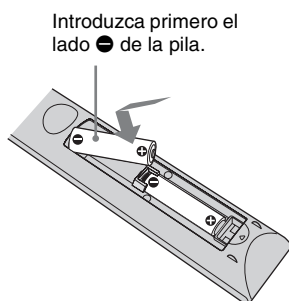
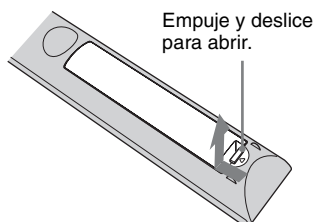
Compruebe que la caja contenga los siguientes elementos:

- Mando a distancia RM-PJ28 (1)
- Pilas de manganeso de tamaño AA (R6) (2)
- Cable de alimentación de CA (1)
- Tapa del objetivo (1)

En el momento de la compra del proyector, la tapa del objetivo está colocada. Debe quitar la tapa del objetivo para utilizar el proyector.

- Manual de referencia rápida (este manual) (1)
- Manual de instrucciones (CD-ROM) (1)

Introducción de las pilas en el mando a distancia



PRECAUCIÓN

Peligro de explosión si se sustituye la batería por una del tipo incorrecto. Reemplace la batería solamente por otra del mismo tipo o de un tipo equivalente recomendado por el fabricante.

Cuando deseche la batería, debe cumplir con las leyes de la zona o del país.

Precaución

Se suministran dos pilas de tamaño AA (R6) para el mando a distancia.

Para evitar el riesgo de explosión, utilice pilas alcalinas o de manganeso de tamaño AA (R6).

Precauciones para la manipulación del mando a distancia

- Manipule con cuidado el mando a distancia. No lo deje caer, ni lo pise, ni derrame ningún líquido sobre él.
- No ponga el mando a distancia cerca de fuentes de calor, bajo la luz directa del sol ni en lugares húmedos.

Utilización del manual en CD-ROM

El manual puede leerse en un ordenador con Adobe Reader instalado.

Puede descargar la aplicación Adobe Reader de forma gratuita desde el sitio web de Adobe.

- 1 Abra el archivo index.htm en el CD-ROM.
- 2 Seleccione y haga clic en el manual que desee leer.

Nota

Si ha perdido el CD-ROM o se le ha estropeado, podrá adquirir uno de sustitución en su distribuidor Sony o en un punto de asistencia Sony.

- 1 Coloque la unidad de modo que el objetivo quede paralelo a la pantalla.
- 2 Después de conectar el cable de CA a la unidad, enchufe el cable de CA en una toma mural.

Parte superior de la unidad

ON/STANDBY

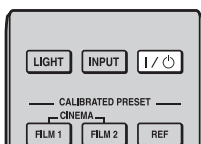


Se ilumina en rojo.

Nota

Una vez conectado el cable de alimentación de CA a la unidad, el indicador ON/STANDBY podrá comenzar a parpadear en naranja. No se preocupe si no puede controlar el indicador cuando se encuentra parpadeando, no se trata de ninguna avería. Espere hasta que deje de parpadear y se ilumine en rojo.

- 3 Pulse el botón I/⏻ (ON/STANDBY) para encender la unidad.



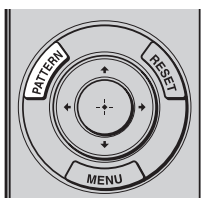
Parte superior de la unidad

ON/STANDBY

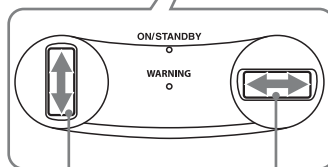
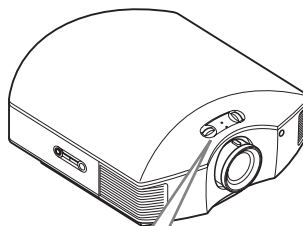


Parpadea en verde unos momentos (décimas de segundo) y, a continuación, se ilumina en verde.

- 4 Pulse el botón PATTERN para ver una señal de prueba y poder realizar los ajustes.



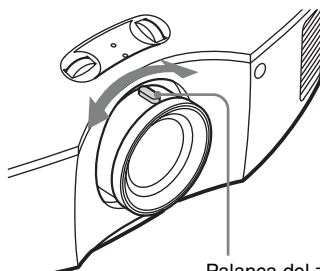
- 1 Mueva los dos mandos de desplazamiento del objetivo para ajustar la posición de la imagen.



Para ajustar la posición vertical

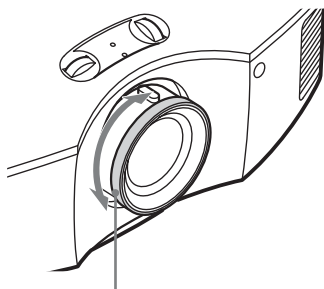
Para ajustar la posición horizontal

- 2 Ajuste el tamaño de la imagen con ayuda de la palanca del zoom.



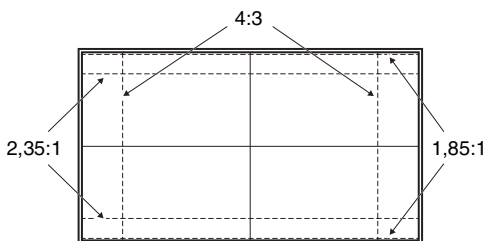
Palanca del zoom

3 Ajuste el enfoque con ayuda del anillo de enfoque.



Anillo de enfoque

Ventana de ajuste del objetivo (patrón de prueba)

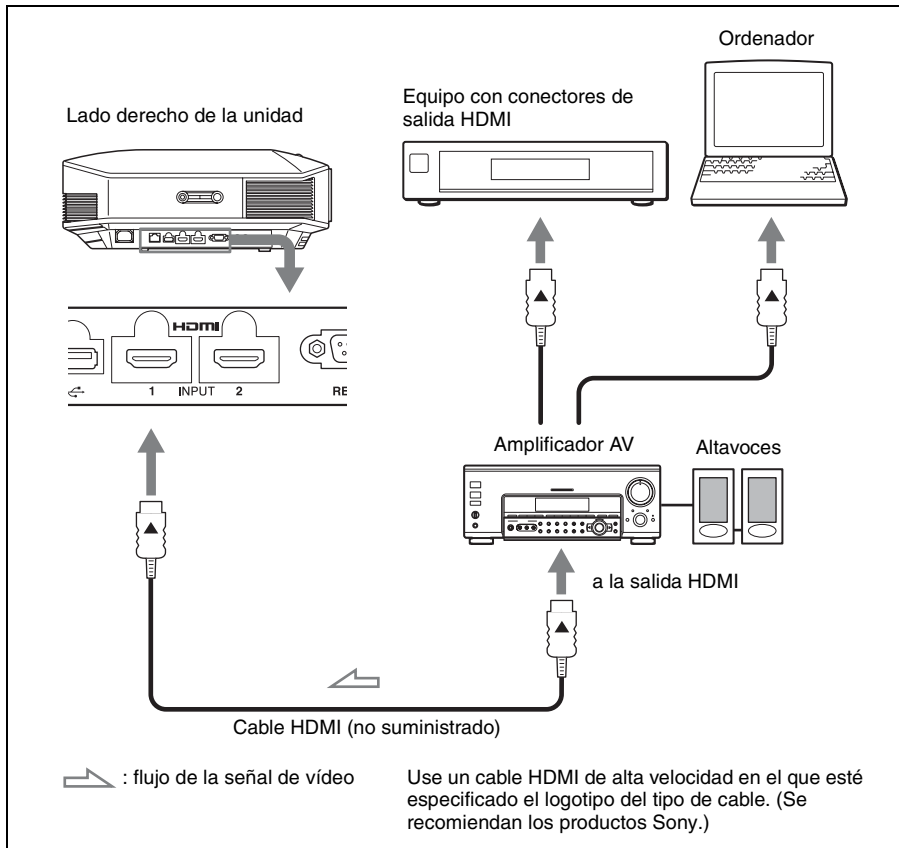


Las líneas de puntos indican los tamaños de pantalla de cada relación de aspecto.

Para obtener más información, consulte "Conexiones y preparativos" en el Manual de instrucciones que contiene el CD-ROM suministrado.

Cuando haga las conexiones, asegúrese de hacer lo siguiente:

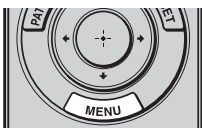
- Apague todos los equipos antes de realizar cualquier conexión.
- Utilice los cables apropiados para cada conexión.
- Introduzca los enchufes de los cables correctamente; una mala conexión de las clavijas puede provocar una avería o una mala calidad de imagen. Cuando desconecte un cable, asegúrese de tirar del enchufe, no del cable.
- Consulte las instrucciones de funcionamiento del equipo conectado.



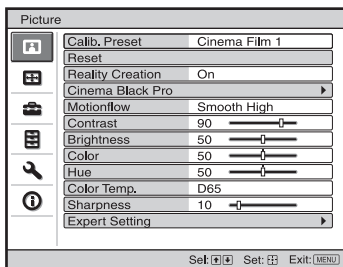
Para obtener más información, consulte "Conexiones y preparativos" en el Manual de instrucciones que contiene el CD-ROM suministrado.

Es posible seleccionar el idioma para el menú y demás indicaciones en pantalla. La configuración predeterminada de fábrica es el idioma inglés. Para cambiar el idioma del menú actual, establezca el idioma que desee con la pantalla de menús.

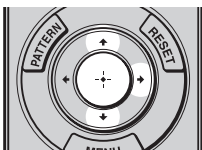
1 Pulse MENU.



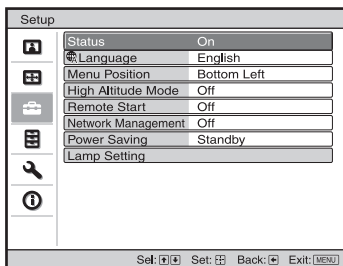
Aparecerá el menú.



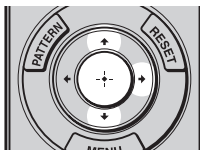
2 Pulse \uparrow/\downarrow para seleccionar el menú Setup y pulse \rightarrow o \odot .



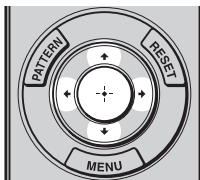
Aparecerán los elementos de configuración del menú seleccionado.



3 Pulse \uparrow/\downarrow para seleccionar "Language" y pulse \rightarrow o \odot .



4 Pulse $\uparrow/\downarrow/\leftarrow/\rightarrow$ para seleccionar un idioma y, a continuación, pulse \odot .

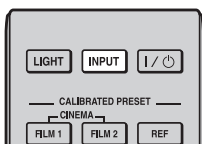


El menú aparecerá en el idioma seleccionado.

Para que el menú desaparezca
Pulse MENU.

Proyección de la imagen

- 1 Encienda la unidad y el equipo conectado a la unidad.
- 2 Pulse INPUT para visualizar la paleta de entrada en la pantalla.



- 3 Seleccione el equipo desde el que desea visualizar las imágenes. Pulse INPUT repetidamente o pulse **↑/↓/⊕** (entrar) para seleccionar el equipo desde el que desea realizar la proyección.



Ejemplo: para ver la imagen del equipo de vídeo conectado al conector HDMI 1 de esta unidad.

Apagado de la alimentación

- 1 Pulse el botón **I/⏻** (ON/STANDBY). En la pantalla aparece el mensaje “DESACTIVAR?”.
- 2 Pulse de nuevo el botón **I/⏻** (ON/STANDBY) antes de que desaparezca el mensaje. El indicador ON/STANDBY parpadeará en verde y el ventilador seguirá funcionando para reducir el calentamiento interno.

El ventilador se detiene y el indicador ON/STANDBY deja de parpadear en verde y se ilumina en rojo fijo.

Una vez apagado el equipo por completo, puede desconectar el cable de alimentación.

Nota

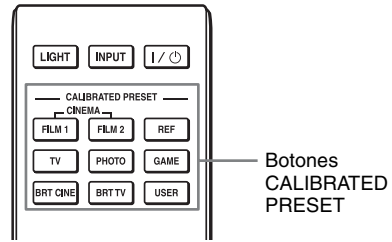
No desconecte nunca el cable de alimentación mientras el indicador esté parpadeando.

Puede apagar la unidad manteniendo pulsado el botón **I/⏻** (ON/STANDBY) aproximadamente durante 1 segundo, en lugar de realizar los pasos anteriormente descritos.

Para obtener más información, consulte “Proyección” en el Manual de instrucciones que contiene el CD-ROM suministrado.

Selección del modo de visualización de la imagen

Pulse uno de los botones CALIBRATED PRESET.



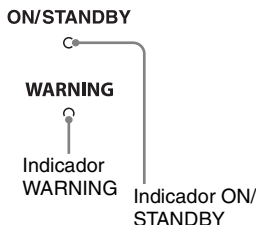
Elementos de configuración	Descripción
CINEMA FILM 1	Calidad de imagen adecuada para reproducir imágenes con gran dinamismo y claridad; calidad habitual del positivo de película.
CINEMA FILM 2	Calidad de imagen adecuada para reproducir los colores densos y de gran tonalidad; calidad habitual en salas de cine.
REF	Una configuración de calidad de imagen adecuada para reproducir de forma fiel la calidad original de la imagen, o para disfrutar de buena calidad de imagen sin tener que realizar ningún ajuste.
TV	Calidad de imagen adecuada para ver programas de televisión, deportes, conciertos, etc.
PHOTO	Calidad de imagen adecuada para proyectar imágenes fijas tomadas con una cámara digital.
GAME	Calidad de imagen adecuada para juegos; colores de alta modulación y respuesta rápida.
BRT CINE	Calidad de imagen adecuada para ver películas en entornos luminosos, como el salón.
BRT TV	Calidad de imagen adecuada para ver programas de televisión, conciertos, deportes y otras imágenes de vídeo en un entorno luminoso, como el salón.
USER	Puede ajustar la calidad de la imagen a su gusto y guardar el ajuste. El ajuste predeterminado de fábrica es el mismo que "REF".

Para obtener más información, consulte "Proyección" en el Manual de instrucciones que contiene el CD-ROM suministrado.

Gestión de errores

Indicadores de aviso

El indicador ON/STANDBY o WARNING se enciende o parpadea si el proyector tiene algún problema.



Indicadores de iluminación/ parpadeo	El número de parpadeos	Causa y solución
ON/STANDBY ○	Dos veces	Cierre firmemente la cubierta de la lámpara y, a continuación, apriete los tornillos. Cierre el soporte del filtro con firmeza.
WARNING (Parpadea en rojo)	Tres veces	La temperatura de la lámpara es inusualmente alta. Apague la unidad y espere a que se enfríe la lámpara; a continuación, vuelva a encender la unidad. Si el síntoma no desaparece, es posible que la lámpara haya llegado al final de su vida útil. Si es así, sustituya la lámpara por una nueva.
ON/STANDBY (Parpadea en rojo)	Dos veces	La temperatura interna es anormalmente alta. Compruebe que no haya nada bloqueando los orificios de ventilación y si la unidad se está utilizando a altitudes elevadas.
WARNING (Parpadea en rojo) Ambos indicadores parpadean	Tres veces	El ventilador está averiado. Consulte con personal especializado de Sony.

Nota

Si empieza a parpadear un indicador de advertencia diferente de los anteriores y el síntoma persiste incluso después de completar los métodos anteriores, consulte al personal cualificado de Sony.

Si se produce algún problema o aparece un mensaje de error en la pantalla, consulte "Solución de problemas" en el Manual de instrucciones que incluye el CD-ROM suministrado.

Sustitución de la lámpara

Herramientas que necesita para empezar:

- Lámpara de proyector LMP-H210 (opcional)
- Destornillador Phillips estándar
- Paño (como protección contra arañazos)

La lámpara que se utiliza como fuente de luz tiene una determinada vida útil. Cuando la luz de la lámpara pierde intensidad, el balance de color de la imagen se vuelve extraño, o aparece el mensaje “Por favor, cambie la lámpara/filtro.”, es posible que la lámpara esté agotada. Sustituya inmediatamente la lámpara por una nueva. Utilice una lámpara de proyector LMP-H210 como lámpara de sustitución.

El filtro de aire está incluido en la lámpara de proyector LMP-H210. Cuando reemplace la lámpara será también el momento de reemplazar el filtro del aire.

Siempre que reemplace la lámpara, asegúrese de reemplazar el filtro del aire por uno nuevo. Limpie también los orificios de ventilación (entrada).

Sugerencia

La vida útil de la lámpara utilizada como fuente de luz cambia en función del entorno de instalación o las condiciones de uso. Puede utilizar la lámpara durante más tiempo si evita apagarla hasta que transcurran unos minutos después de encenderla.

Precaución

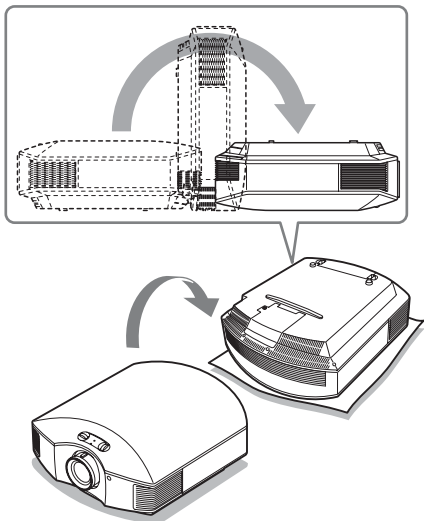
- La lámpara continúa estando caliente después de haber apagado la unidad con el botón I/⏻ (ON/STANDBY). Si toca la lámpara, puede quemarse los dedos. Antes de sustituir la lámpara, espere al menos 1 hora hasta que se enfríe.
- No toque la superficie de la lámpara. Si la toca, limpie las huellas con un paño suave.
- Ponga especial cuidado al reemplazar la lámpara cuando la unidad esté instalada en el techo.
- Al retirar la unidad de la lámpara, asegúrese de que se encuentra en posición horizontal y tire hacia arriba. No incline la unidad de la lámpara. Si tira hacia fuera de la unidad de la lámpara mientras se encuentra inclinada y la lámpara se rompe, los fragmentos pueden dispersarse y provocar lesiones.
- Cuando retire el filtro del aire, tenga cuidado para evitar que caiga polvo en el proyector.
- La sustitución del filtro del aire es crucial para mantener el buen rendimiento del proyector y para evitar que se averíe. Cuando aparezca un mensaje de advertencia para reemplazar el filtro del aire, reemplace inmediatamente el filtro del aire.

Notas

- Asegúrese de utilizar la lámpara de proyector LMP-H210 para la sustitución. Si utiliza otras lámparas que no sean la LMP-H210, la unidad podría averiarse.
- No olvide apagar la unidad y desenchufar el cable de alimentación antes de sustituir la lámpara; a continuación, compruebe que el indicador ON/STANDBY está apagado.

- 1 Apague el proyector y desenchufe el cable de alimentación de CA.

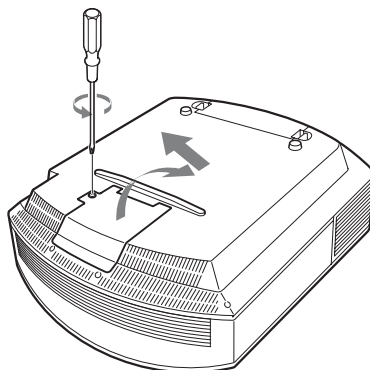
- 2** Cuando coloque el proyector sobre una superficie plana tal como una mesa de escritorio, etc., coloque un paño para evitar rayar la superficie. Invierta el proyector como se muestra y, a continuación, colóquelo sobre el paño.



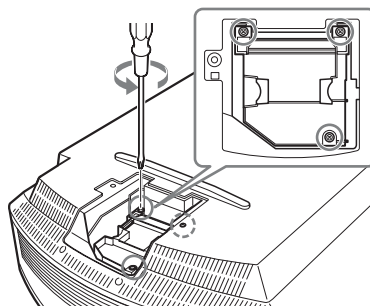
Notas

- Cuando la lámpara se daña, los fragmentos pueden dispersarse si no se invierte el proyector. Esto puede provocar lesiones.
- Asegúrese de que el proyector se encuentre en una superficie estable.

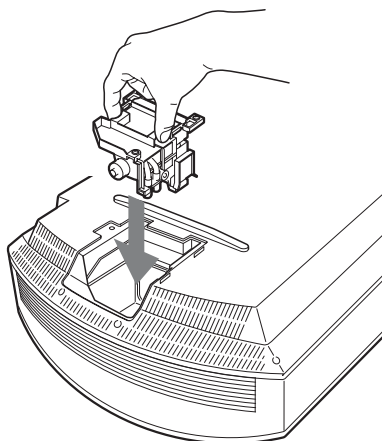
- 3** Afloje el tornillo de la cubierta de la lámpara con un destornillador Phillips y, a continuación, abra la cubierta de la lámpara.



- 4** Afloje los 3 tornillos de la unidad de la lámpara con el destornillador Phillips. Levante el asa y, a continuación, tire de la lámpara para extraerla.



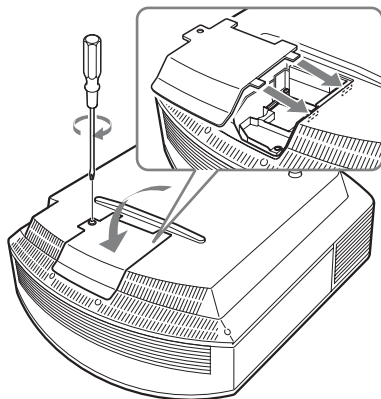
- 5** Sujete el asa de la nueva lámpara, empújela hacia dentro hasta el fondo y, a continuación, apriete los 3 tornillos.



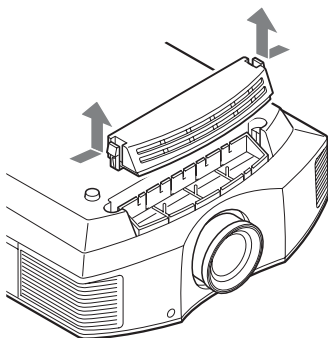
Nota

Tenga cuidado de no tocar el bloque óptico del interior de la unidad.

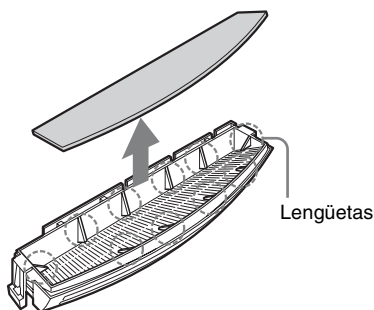
- 6** Cierre la cubierta de la lámpara y, a continuación, apriete los tornillos.



- 7** Quite el soporte del filtro.



- 8** Extraiga el filtro de aire.



- 9** Coloque el nuevo filtro de aire de forma que encaje en las lengüetas (10 posiciones) del soporte del filtro.

Nota

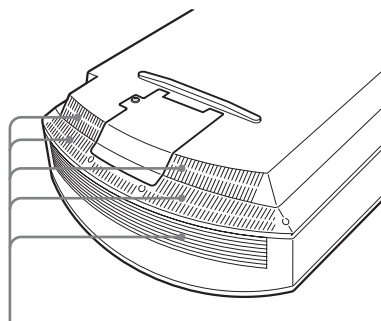
Coloque el filtro de aire alineándolo con la forma del soporte del filtro. Además, no toque el ventilador después de retirar el filtro del aire, que se encuentra a cierta profundidad en el interior del proyector.

- 10** Instale el soporte del filtro.


Nota

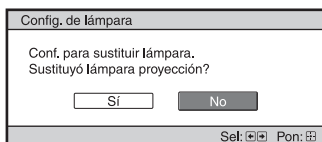
El proyector no se encenderá si el soporte del filtro no está bien cerrado.

- 11** Limpie el polvo de los orificios de ventilación (entrada) con un paño suave.



Orificios de ventilación (entrada)

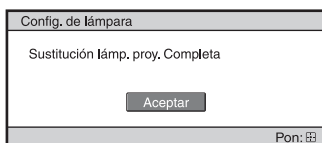
- 12** Vuelva a colocar el proyector en su posición original.
- 13** Encienda la unidad y, a continuación, seleccione el elemento de configuración de la lámpara en el menú Configuración . Se mostrará la pantalla de menú siguiente.



Sugerencia

Si "Bloqueo ajustes" está establecido en "Nivel B", establezca "No" una vez.

- 14** Seleccione "Sí".



Precaución

Para evitar descargas eléctricas o incendios, no introduzca las manos en el compartimento de sustitución de la lámpara, ni permita que se introduzcan líquidos ni ningún otro objeto.

Notas

- La unidad no se encenderá si la lámpara no está bien instalada.
- La unidad no se encenderá si la cubierta de la lámpara no está bien cerrada.
- Para borrar un mensaje que aparezca en la pantalla, pulse una vez cualquier botón del mando a distancia o del panel de control de la unidad.

Nota

Esta lámpara contiene mercurio. Las reglas para desechar tubos fluorescentes usados dependen de dónde viva. Siga la normativa de desecho de residuos de su zona.

Limpieza del filtro de aire

Cuando aparezca en la pantalla "Por favor limpie el filtro." debe limpiar el filtro de aire. El filtro de aire debe limpiarse cada 1.500 horas. Este valor varía en función del entorno y de cómo se utilice el proyector. La cifra de 1.500 horas es aproximada. Después de lavar el filtro de aire con una solución detergente suave, déjelo secar a la sombra.

Notas

- Cuando limpie el filtro de aire, asegúrese de no dañarlo. Para ver información detallada sobre cómo instalar y retirar el filtro de aire, consulte los pasos del 7 al 10 de "Sustitución de la lámpara" (página 18).
- Cuando retire el filtro del aire, tenga cuidado para evitar que caiga polvo en el proyector.
- La limpieza del filtro del aire es crucial para mantener el buen rendimiento del proyector y para evitar que se averíe. Cuando aparezca un mensaje de advertencia para limpiar el filtro del aire, reemplace inmediatamente el filtro del aire.

Informationen zur Kurzreferenz

Diese Kurzreferenz beschreibt die Installation und die grundlegenden Bedienungsvorgänge zum Projizieren von Bildern. Es werden auch wichtige Hinweise und Vorsichtsmaßnahmen erläutert, die Sie bei Handhabung und Gebrauch dieses Geräts beachten müssen. Schlagen Sie bei Bedarf unter „Warnanzeigen“, „Austauschen der Lampe“ und „Reinigen des Luftfilters“ nach.

Einzelheiten zu den Bedienungsvorgängen finden Sie in der Bedienungsanleitung auf der mitgelieferten CD-ROM.

Schritt 1

Vorbereitung.....Seite 9

Schritt 2

Installieren des GerätsSeite 10

Schritt 3

Anschließen des GerätsSeite 12

Schritt 4

Wählen der MenüspracheSeite 13

Schritt 5

ProjizierenSeite 14

Störungsbehebung **WarnanzeigenSeite 16**

Wartung **Austauschen der Lampe.....Seite 17**

Reinigen des LuftfiltersSeite 21

Bitte lesen Sie dieses Handbuch vor der Benutzung des Geräts sorgfältig durch und bewahren Sie es zum späteren Nachschlagen auf.

WARNUNG

Um die Gefahr von Bränden oder elektrischen Schlägen zu verringern, darf dieses Gerät nicht Regen oder Feuchtigkeit ausgesetzt werden. Um einen elektrischen Schlag zu vermeiden, darf das Gehäuse nicht geöffnet werden. Überlassen Sie Wartungsarbeiten stets nur qualifiziertem Fachpersonal.

**WARNUNG
DIESES GERÄT MUSS GEERDET
WERDEN.**

WARNUNG

Beim Einbau des Geräts ist daher im Festkabel ein leicht zugänglicher Unterbrecher einzufügen, oder der Netzstecker muss mit einer in der Nähe des Geräts befindlichen, leicht zugänglichen Wandsteckdose verbunden werden. Wenn während des Betriebs eine Funktionsstörung auftritt, ist der Unterbrecher zu betätigen bzw. der Netzstecker abzuziehen, damit die Stromversorgung zum Gerät unterbrochen wird.

VORSICHT

Hinweis zum LAN-Anschluss (nur VPL-HW65)

Aus Sicherheitsgründen nicht mit einem Peripheriegerät-Anschluss verbinden, der zu starke Spannung für diese Buchse haben könnte.

WARNUNG

1. Verwenden Sie ein geprüftes Netzkabel (3-adriges Stromkabel)/einen geprüften Geräteanschluss/einen geprüften Stecker mit Schutzkontakten entsprechend den Sicherheitsvorschriften, die im betreffenden Land gelten.
2. Verwenden Sie ein Netzkabel (3-adriges Stromkabel)/einen Geräteanschluss/einen

Stecker mit den geeigneten Anschlusswerten (Volt, Ampere).

Wenn Sie Fragen zur Verwendung von Netzkabel/Geräteanschluss/Stecker haben, wenden Sie sich bitte an qualifiziertes Kundendienstpersonal.

Informationen zur 3D-Brille

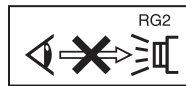
Die 3D-Brille kommuniziert zum Anzeigen von 3D-Signalen über Bluetooth-Technologie mit dem Projektor.

a) das Frequenzband oder die Frequenzbänder, in dem bzw. denen die Funkanlage betrieben wird:

2.4 - 2.4835 GHz

b) die in dem Frequenzband oder den Frequenzbändern, in dem bzw. denen die Funkanlage betrieben wird, abgestrahlte maximale Sendeleistung:

4.30 dBm (E.I.R.P.)



Schauen Sie wie bei jeder hellen Lichtquelle nicht in den Strahl, siehe RG2 IEC 62471-5:2015.

Für Kunden in Europa

Hinweis für Kunden: die folgenden Hinweise gelten nur für Geräte, die in Ländern verkauft werden, in denen die EG-Richtlinien angewandt werden.



Hiermit erklärt Sony Corporation, dass sich das Gerät VPL-HW65/VPL-HW45 in Übereinstimmung mit den grundlegenden Anforderungen und den übrigen einschlägigen Bestimmungen der Richtlinie 1999/5/EG befindet.

Weitere Informationen erhältlich unter:
<http://www.compliance.sony.de/>

Vorsicht beim Austauschen/ Entsorgen der Batterie der 3D-Brille

Explosionsgefahr bei Verwendung falscher Batterien. Batterien nur durch den vom Hersteller empfohlenen oder einen gleichwertigen Typ ersetzen.

Wenn Sie die Batterie entsorgen, müssen Sie die Gesetze der jeweiligen Region und des jeweiligen Landes befolgen.

DE

Vorsichtsmaßnahmen

Info zur Sicherheit

- Vergewissern Sie sich, dass die Betriebsspannung Ihres Gerätes mit der Spannung Ihrer örtlichen Stromversorgung übereinstimmt.
- Sollten Flüssigkeiten oder Fremdkörper in das Gehäuse gelangen, ziehen Sie das Netzkabel ab, und lassen Sie das Gerät von qualifiziertem Fachpersonal überprüfen, bevor Sie es wieder benutzen.
- Soll das Gerät einige Tage lang nicht benutzt werden, trennen Sie es von der Netzsteckdose.
- Ziehen Sie zum Trennen des Kabels am Stecker. Niemals am Kabel selbst ziehen.
- Die Netzsteckdose sollte sich in der Nähe des Gerätes befinden und leicht zugänglich sein.
- Das Gerät ist auch im ausgeschalteten Zustand nicht vollständig vom Stromnetz getrennt, solange der Netzstecker noch an der Netzsteckdose angeschlossen ist.
- Blicken Sie bei eingeschalteter Lampe nicht in das Objektiv.
- Halten Sie Ihre Hände oder Gegenstände von den Lüftungsöffnungen fern. Die austretende Luft ist heiß.

Info zur Verhütung eines internen Wärmestaus

Nachdem Sie den Projektor mit der Taste I/⏻ (Ein/Bereitschaft) ausgeschaltet haben, trennen Sie ihn nicht von der Netzsteckdose, solange der Lüfter noch läuft.

Vorsicht

Dieses Gerät ist mit Lüftungsöffnungen (Einlass und Auslass) ausgestattet. Der Luftstrom durch diese Öffnungen darf nicht blockiert oder durch in der Nähe abgestellte Gegenstände behindert werden, weil es sonst zu einem internen Wärmestau kommen kann, der eine Verschlechterung der Bildqualität oder Beschädigung des Geräts zur Folge haben kann.

Info zur Wiederverpackung

Bewahren Sie den Originalkarton und das Verpackungsmaterial gut auf für den Fall, dass Sie das Gerät später einmal transportieren müssen. Am besten geschützt ist das Gerät beim Transport, wenn Sie es wieder so verpacken, wie es geliefert wurde.

Hinweis zum Betrachten von 3D-Videobildern

Sicherheitshinweise

- Verwenden Sie die 3D-Brille ausschließlich zum Betrachten von 3D-Videobildern.
- Wenn Sie Flimmern oder Flackern bemerken, schalten Sie die Raumbelichtung aus.
- Nicht geeignet für Kinder ohne angemessene Aufsicht durch Erwachsene.
- Achten Sie darauf, sich nicht die Finger in den Scharnieren der 3D-Brille einzuklemmen, wenn Sie die Brillenbügel einklappen.
- Lassen Sie die 3D-Brille nicht fallen und nehmen Sie keine Veränderungen daran vor.
- Wenn ein Brillenglas springt, achten Sie darauf, sich durch die Bruchstücke keine Verletzungen an Mund oder Augen zuzuziehen.

Info zum LCD-Projektor

Der LCD-Projektor wurde unter Einsatz von Präzisionstechnologie hergestellt. Es kann jedoch sein, dass im Projektionsbild des LCD-Projektors ständig winzige schwarze und/oder helle Punkte (rote, blaue oder grüne) enthalten sind. Dies ist ein normales Ergebnis des Herstellungsprozesses und ist kein Anzeichen für eine Funktionsstörung. Wenn Sie mehrere LCD-Projektoren für die Projektion auf einer Leinwand verwenden, kann außerdem selbst bei identischen Modellen die Farbwiedergabe bei den verschiedenen Projektoren variieren, da für jeden Projektor eigene Einstellungen der Farbbalance vorgenommen werden können.

Hinweis zur Kondensation

Wenn sich die Temperatur in dem Raum, in dem der Projektor aufgestellt ist, schnell ändert oder wenn der Projektor plötzlich von einem kalten an einen warmen Ort gebracht wird, kann es im Inneren des Projektors zu einer Kondensation kommen. Da die Kondensation zu einer Fehlfunktion führen kann, sollten Sie bei den Temperatureinstellungen einer Klimaanlage vorsichtig sein.

Lassen Sie den Projektor vor der Verwendung ungefähr zwei Stunden eingeschaltet, wenn es zu einer Kondensation gekommen ist.

Hinweise zur Sicherheit (nur VPL-HW65)

- SONY KANN KEINE HAFTUNG FÜR SCHÄDEN JEDER ART DURCH UNTERLASSENE GEEIGNETE SICHERHEITSMASSNAHMEN AN ÜBERTRAGUNGSGERÄTEN, DURCH UNVERMEIDBARE DATENPREISGABE AUFGRUND DER ÜBERTRAGUNGSSPEZIFIKATIONEN ODER DURCH SICHERHEITSPROBLEME JEDLICHER ART ÜBERNEHMEN.
- Je nach Betriebsumgebung können unbefugte Dritte im Netzwerk unter Umständen auf dieses Gerät zugreifen. Achten Sie beim Verbinden des Geräts mit dem Netzwerk darauf, dass das Netzwerk gut abgesichert ist.
- Vom Sicherheitsstandpunkt sollten Sie unbedingt über einen Webbrowser auf das Steuerfenster zugreifen und die werkseitig eingestellten Werte für die Zugriffseinschränkung ändern, wenn das Gerät mit dem Netzwerk verbunden ist (siehe „Die Netzwerkfunktionen“ in der Bedienungsanleitung). Es wird auch empfohlen, das Passwort regelmäßig zu ändern.
- Rufen Sie keine andere Website im Webbrowser auf, während Sie Einstellungen vornehmen oder nachdem Sie Einstellungen vorgenommen haben. Da der Anmeldestatus beim Webbrowser gespeichert bleibt, schließen Sie den Webbrowser, wenn Sie die Einstellungen

abgeschlossen haben, um zu verhindern, dass unautorisierte Dritte das Gerät nutzen oder schädliche Programme ausführen.

Hinweis

SONY ÜBERNIMMT WÄHREND ODER NACH ABLAUF DES GARANTIEZEITRAUMS KEINE HAFTUNG FÜR SCHÄDEN JEDER ART DURCH VERWENDUNG DIESES GERÄTS FÜR ANDERE ALS ALLGEMEINE PRIVATE ZWECKE.

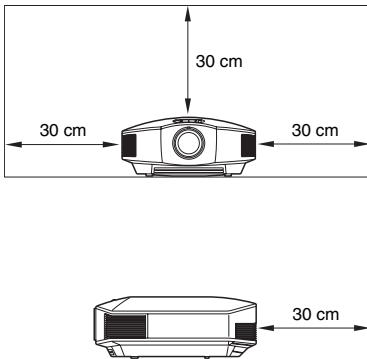
Hinweise zu Installation und Gebrauch

Ungeeignete Installation

Stellen Sie das Gerät nicht an folgenden Orten auf, weil es sonst zu einer Funktionsstörung oder Beschädigung des Geräts kommen kann.

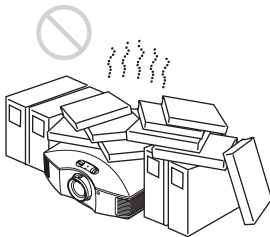
In der Nähe einer Wand

Um die Leistung und Zuverlässigkeit aufrecht zu erhalten, lassen Sie zwischen dem Gerät und einer vorhandenen Wand so viel Abstand wie in der Abbildung dargestellt.



Schlecht belüftete Orte

Halten Sie einen Abstand von mindestens 30 cm um das Gerät ein.

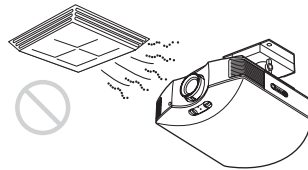


Heiße und feuchte Orte



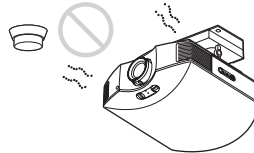
Orte, die direkter Kalt- oder Warmluft von einer Klimaanlage ausgesetzt sind

Die Installation des Geräts an einem solchen Ort kann zu einer Funktionsstörung führen, die durch Feuchtigkeitskondensation oder Temperaturanstieg verursacht wird.



In der Nähe eines Wärme- oder Rauchsensors

Es kann zu einer Funktionsstörung des Sensors kommen.



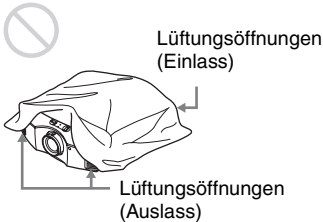
Sehr staubige oder extrem rauchige Orte



Ungeeignete Bedingungen

Führen Sie während der Benutzung des Geräts keinen der folgenden Vorgänge durch.

Blockieren der Lüftungsöffnungen (Einlass oder Auslass)



Neigen nach vorn/hinten und links/rechts

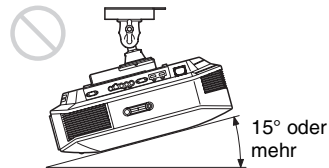
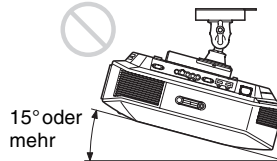
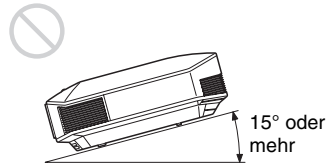
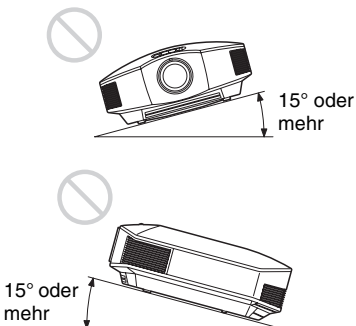
Vermeiden Sie die Benutzung des Geräts bei einer Neigung von mehr als 15°.

Installieren Sie das Gerät nur auf einer ebenen Fläche oder an der Decke.


Andernfalls kann es zu Farbunregelmäßigkeiten oder einer Reduzierung der Zuverlässigkeit der Lampeneffekte führen.

Wenn das Gerät nach oben oder unten geneigt ist, wird das Bild auf der Leinwand möglicherweise trapezförmig verzerrt angezeigt.

Positionieren Sie das Gerät so, dass das Objektiv parallel zur Leinwand ausgerichtet ist.



Bei Installation des Geräts in Höhenlagen

Wenn Sie das Gerät in Höhenlagen über 1.500 m benutzen, setzen Sie „Höhenlagenmodus“ im Menü Einrichtung  auf „Ein“. Wird dieser Modus bei Verwendung des Geräts in Höhenlagen nicht aktiviert, kann dies negative Folgen haben, wie z.B. die Verschlechterung der Zuverlässigkeit bestimmter Komponenten.

Sicherheitshinweise zur Montage des Geräts an der Decke

- Montieren Sie den Projektor auf keinen Fall selbst an der Decke und hängen Sie ihn nicht alleine um. Wenden Sie sich dazu unbedingt an qualifizierte Sony-Fachleute (kostenpflichtig).
- Verwenden Sie bei der Montage des Geräts an der Decke unbedingt einen Sicherungsdraht o. Ä., damit das Gerät nicht herunterfallen kann. Beauftragen Sie erfahrenes Fachpersonal mit der Montage.

Für Händler

- Wenn der Projektor an der Decke montiert wird, muss zur Installation eine Sony-Halterung oder eine gleichwertige, empfohlene Vorrichtung verwendet werden.
- Sorgen Sie bei Deckenmontage für eine einwandfreie Sicherung der Gehäuseabdeckung.

Überprüfen des mitgelieferten Zubehörs

Prüfen Sie die Verpackung und vergewissern Sie sich, dass sie folgende Elemente enthält:

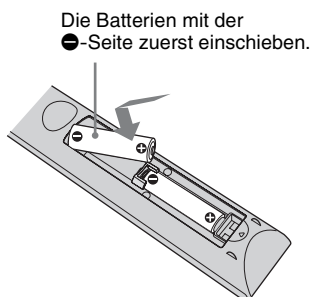
- Fernbedienung RM-PJ28 (1)
- R6-Manganbatterien der Größe AA (2)
- Netzkabel (1)
- Objektivkappe (1)

Beim Kauf des Projektors sitzt die Objektivkappe auf dem Objektiv.

Entfernen Sie die Objektivkappe, wenn Sie den Projektor benutzen möchten.

- Kurzreferenz (diese Anleitung) (1)
- Bedienungsanleitung (CD-ROM) (1)

Einlegen der Batterien in die Fernbedienung



VORSICHT

Explosionsgefahr bei Verwendung falscher Batterien. Batterien nur durch den vom Hersteller empfohlenen oder einen gleichwertigen Typ ersetzen.

Wenn Sie die Batterie entsorgen, müssen Sie die Gesetze der jeweiligen Region und des jeweiligen Landes befolgen.

Vorsicht

Zwei R6-Batterien der Größe AA werden für die Fernbedienung mitgeliefert.

Verwenden Sie R6-Mangan- oder -Alkalibatterien der Größe AA. Andernfalls besteht Explosionsgefahr.

Vorsichtshinweis zum Umgang mit der Fernbedienung

- Gehen Sie sorgfältig mit der Fernbedienung um. Lassen Sie sie nicht fallen, treten Sie nicht darauf und verschütten Sie keine Flüssigkeiten darauf.
- Legen Sie die Fernbedienung nicht an einem Ort in der Nähe einer Wärmequelle, in direktem Sonnenlicht oder in einem feuchten Raum ab.

Verwenden der Anleitungen auf der CD-ROM

Die Anleitung kann auf einem Computer, auf dem der Adobe Reader installiert ist, gelesen werden.

Sie können den Adobe Reader kostenlos von der Adobe-Website herunterladen.

- 1 Öffnen Sie die Datei index.htm auf der CD-ROM.
- 2 Wählen Sie die Anleitung aus, die Sie lesen möchten, und klicken Sie darauf.

Hinweis

Wenn Sie die CD-ROM nicht mehr besitzen, oder wenn sie beschädigt ist, können Sie Ersatz bei Ihrem Sony-Händler oder der Sony-Servicevertretung bestellen.

Schritt 2

Installieren des Geräts

- 1 Positionieren Sie das Gerät so, dass das Objektiv parallel zur Leinwand ausgerichtet ist.
- 2 Schließen Sie das Netzkabel erst an das Gerät und dann an eine Netzsteckdose an.

Oberseite des Geräts

ON/STANDBY

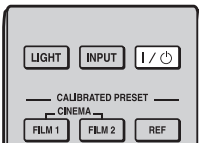


Leuchtet in Rot.

Hinweis

Nachdem Sie das Netzkabel mit dem Gerät verbunden haben, blinkt möglicherweise die Anzeige ON/STANDBY orange. Sie können das Gerät möglicherweise nicht kontrollieren, während die Anzeige blinkt, aber das ist keine Fehlfunktion. Warten Sie, bis das Blinken stoppt und die Anzeige rot leuchtet.

- 3 Drücken Sie die Taste I/⏻ (ON/STANDBY), um das Gerät einzuschalten.



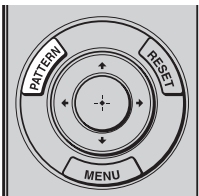
Oberseite des Geräts

ON/STANDBY

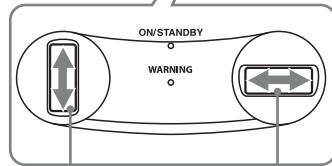
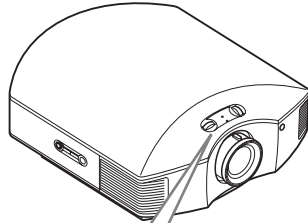


Blinkt eine Zeitlang (einige Sekunden) in Grün, und leuchtet dann in Grün.

- 4 Drücken Sie die Taste PATTERN, um ein Testsignal zum Vornehmen von Einstellungen anzuzeigen.



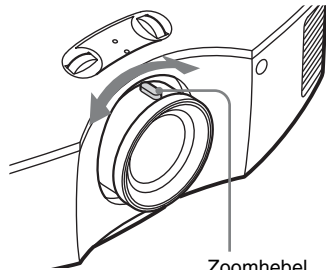
- 1 Verschieben Sie beide Stellknöpfe für die Objektivverschiebung, um die Bildposition anzupassen.



Zum Einstellen der Vertikalposition

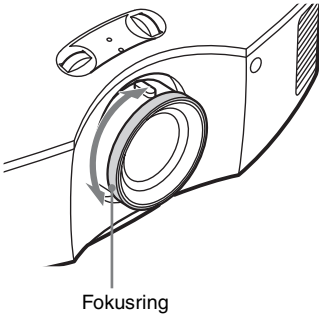
Zum Einstellen der Horizontalposition

- 2 Passen Sie die Bildgröße mit dem Zoomhebel an.

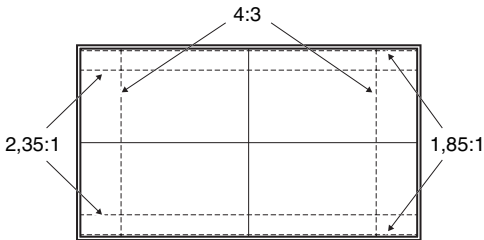


Zoomhebel

3 Passen Sie den Fokus mit dem Fokusring an.



Objektiv-Einstellfenster (Testmuster)

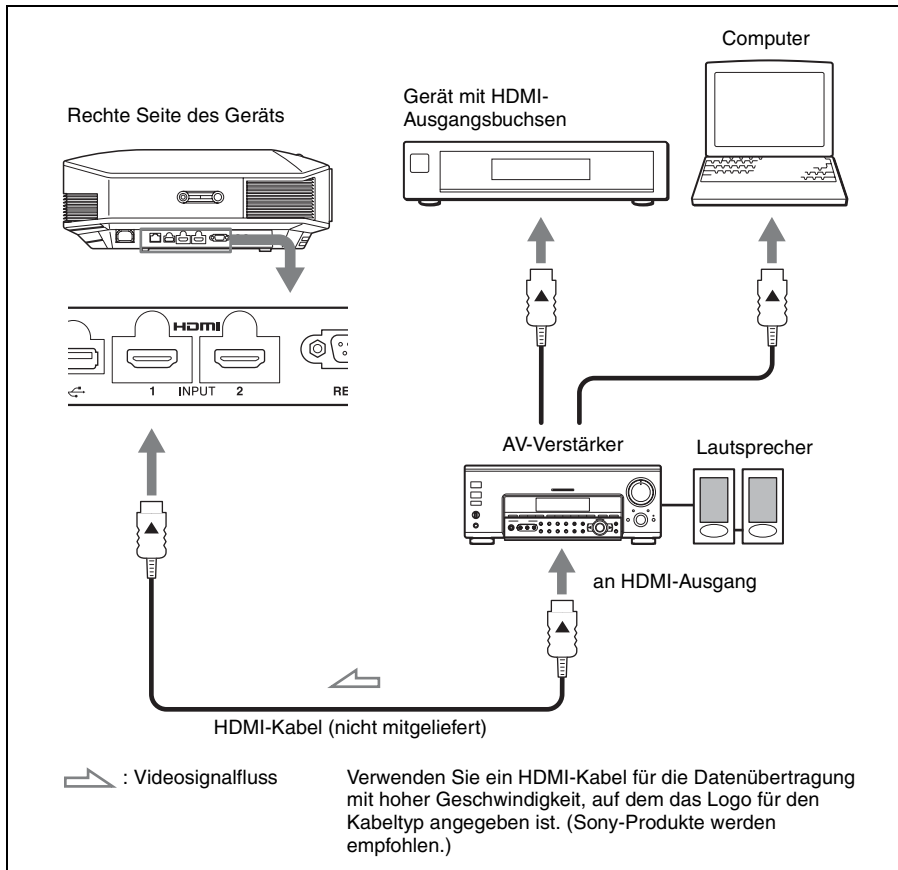


Die gestrichelten Linien zeigen die Leinwandgröße beim jeweiligen Seitenverhältnis.

Falls Probleme auftreten oder eine Fehlermeldung angezeigt wird, schlagen Sie unter „Anschlüsse und Vorbereitungen“ in der Bedienungsanleitung auf der mitgelieferten CD-ROM nach.

Achten Sie bei der Herstellung der Anschlüsse auf Folgendes:

- Schalten Sie alle Geräte aus, bevor Sie irgendwelche Anschlüsse vornehmen.
- Verwenden Sie die korrekten Kabel für jeden Anschluss.
- Stecken Sie die Kabelstecker einwandfrei ein; lockerer Anschluss der Stecker kann eine Funktionsstörung oder schlechte Bildqualität verursachen. Ziehen Sie beim Herausziehen eines Kabels am Stecker, nicht am Kabel selbst.
- Schlagen Sie in der Bedienungsanleitung des angeschlossenen Gerätes nach.



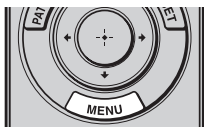
Falls Probleme auftreten oder eine Fehlermeldung angezeigt wird, schlagen Sie unter „Anschlüsse und Vorbereitungen“ in der Bedienungsanleitung auf der mitgelieferten CD-ROM nach.

Schritt 4

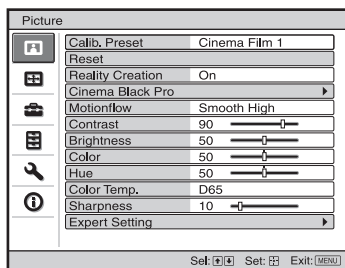
Wählen der Menüsprache

Für die Menüanzeige und die anderen Bildschirmanzeigen können Sie die Sprache auswählen. Die Werksvorgabe ist Englisch. Um die aktuelle Menüsprache zu ändern, stellen Sie die gewünschte Sprache auf dem Menübildschirm ein.

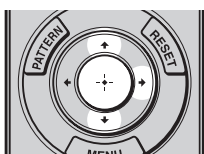
- 1 Drücken Sie MENU.



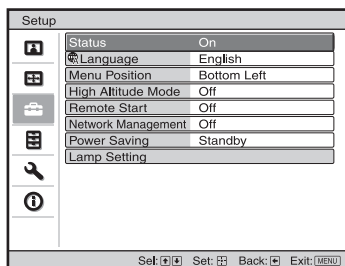
Das Menü erscheint.



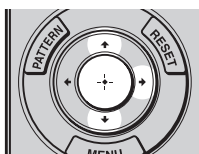
- 2 Rufen Sie mit \uparrow/\downarrow das Menü Setup \mathbb{B} auf, und drücken Sie dann \rightarrow oder \odot .



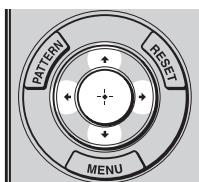
Die Einstellungsposten des ausgewählten Menüs werden angezeigt.



- 3 Wählen Sie mit \uparrow/\downarrow den Posten „Language“ aus, und drücken Sie dann \rightarrow oder \odot .



- 4 Wählen Sie mit $\uparrow/\downarrow/\leftarrow/\rightarrow$ die gewünschte Sprache, und drücken Sie dann \odot .

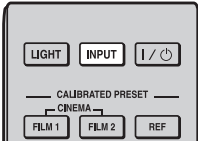


Die Menüsprache wechselt zu der ausgewählten Sprache.

So wird das Menü ausgeblendet
Drücken Sie MENU.

Projizieren des Bildes

- 1 Schalten Sie sowohl das Gerät als auch die angeschlossenen Geräte ein.
- 2 Drücken Sie INPUT, um auf dem Bildschirm eine Liste der Eingänge anzuzeigen.



- 3 Wählen Sie das Gerät, auf dem sich die Bilder befinden, die angezeigt werden sollen.
Drücken Sie wiederholt INPUT oder drücken Sie $\uparrow/\downarrow/\oplus$ (Eingabe), um das gewünschte Gerät auszuwählen.



Beispiel: Wiedergeben des Bilds vom am Anschluss HDMI 1 dieses Geräts angeschlossenen Videogerät.

Ausschalten des Geräts

- 1 Drücken Sie die Taste I/O (ON/STANDBY).
Die Meldung „AUSSCHALTEN?“ erscheint auf der Leinwand.
- 2 Drücken Sie die Taste I/O (ON/STANDBY) erneut, bevor die Meldung ausgeblendet wird.
Die Anzeige ON/STANDBY blinkt grün und der Lüfter läuft weiter, um die interne Wärme abzuleiten.

Der Lüfter hält an und die Anzeige ON/STANDBY blinkt nicht mehr grün, sondern leuchtet rot.

Der Strom ist nun vollkommen ausgeschaltet, und das Netzkabel kann gezogen werden.

Hinweis

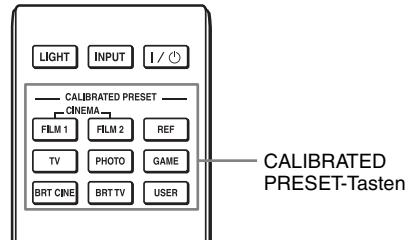
Während die Anzeige blinkt, darf das Netzkabel auf keinen Fall abgezogen werden.

Anstatt die obigen Schritte auszuführen, können Sie das Gerät auch ausschalten, indem Sie die Taste I/O (ON/STANDBY) etwa 1 Sekunde lang gedrückt halten.

Falls Probleme auftreten oder eine Fehlermeldung angezeigt wird, schlagen Sie unter „Projizieren“ in der Bedienungsanleitung auf der mitgelieferten CD-ROM nach.

Wahl des Bildbetrachtungsmodus

Drücken Sie eine der Tasten
CALIBRATED PRESET.



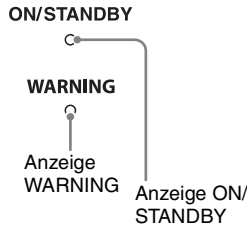
Einstellungsposten	Beschreibung
CINEMA FILM 1	Bildqualität, die sich am besten für die Reproduktion von sehr dynamischen und klaren Bildern eignet, die typisch für einen Masterpositiv-Film sind.
CINEMA FILM 2	Bildqualität, die sich am besten für die Reproduktion von satten Farbtönen eignet, die typisch für einen Kino-Film sind.
REF	Eine Bildqualität-Einstellung, die sich am besten für die originalgetreue Reproduktion der Original-Bildqualität eignet, oder wenn man die beste Bildqualität ohne Anpassungen erzielen möchte.
TV	Bildqualität, die sich am besten für TV-Programme, Sportsendungen, Konzerte usw. eignet.
PHOTO	Ideal zum Projizieren von Standbildern, die mit einer Digitalkamera aufgenommen wurden.
GAME	Bildqualität, die sich am besten für Spiele mit schön modulierten Farben und schnellen Reaktionszeiten eignet.
BRT CINE	Bildqualität für die Darstellung von Filmen in einer sehr hellen Umgebung, wie in einem Wohnzimmer.
BRT TV	Bildqualität für die Darstellung von Fernsehprogrammen, Sport, Konzerten und anderen Videobildern in einer hellen Umgebung, wie in einem Wohnzimmer.
USER	Stellt die Bildqualität wunschgemäß ein und speichert dann die Einstellung. Die Werkseinstellung ist dieselbe wie „REF“.

Falls Probleme auftreten oder eine Fehlermeldung angezeigt wird, schlagen Sie unter „Projizieren“ in der Bedienungsanleitung auf der mitgelieferten CD-ROM nach.

Störungsbehebung

Warnanzeigen

Die Anzeige ON/STANDBY oder WARNING leuchtet auf oder blinkt, falls eine Störung in Ihrem Projektor vorliegt.



Anzeigen blinken/leuchten	Anzahl des Blinkens	Ursache und Abhilfemaßnahme
ON/STANDBY ○	Zweimal	Schließen Sie die Lampenabdeckung einwandfrei, und ziehen Sie die Schrauben fest an. Schließen Sie den Filterhalter fest.
WARNING ☀️ (Blinkt rot)	Dreimal	Die Temperatur der Lampe ist ungewöhnlich hoch. Schalten Sie die Stromversorgung aus und warten Sie, bis die Lampe abgekühlt ist, bevor Sie den Projektor wieder einschalten. Wenn das Symptom weiterhin besteht, hat die Lampe möglicherweise das Ende ihrer Nutzungsdauer erreicht. Tauschen Sie in diesem Fall die Lampe gegen eine neue aus.
ON/STANDBY ☀️ (Blinkt rot)	Zweimal	Die Innentemperatur ist ungewöhnlich hoch. Prüfen Sie, ob die Lüftungsöffnungen blockiert sind oder ob das Gerät in Höhenlagen verwendet wird.
WARNING ☀️ (Blinkt rot) Beide Anzeigen blinken	Dreimal	Der Lüfter ist defekt. Konsultieren Sie qualifiziertes Sony-Personal.

Hinweis

Falls eine andere Warnanzeige außer der obigen zu blinken beginnt und das Symptom trotz Ausführung der obigen Maßnahmen bestehen bleibt, wenden Sie sich an qualifiziertes Sony-Personal.

Falls Probleme auftreten oder eine Fehlermeldung angezeigt wird, schlagen Sie unter „Fehlerbehebung“ in der Bedienungsanleitung auf der mitgelieferten CD-ROM nach.

Austauschen der Lampe

Erforderliche Werkzeuge:

- Projektorlampe LMP-H210 (optional)
- Normaler Kreuzschlitzschraubendreher
- Tuch (für Kratzerverhütung)

Die als Lichtquelle verwendete Lampe hat eine begrenzte Lebensdauer. Wenn die Lampe schwächer wird, die Farbbalance des Bilds unausgewogen ist oder „Bitte Lampe/Filter austauschen.“ auf der Leinwand erscheint, ist möglicherweise die Lampe erschöpft. Ersetzen Sie die Lampe unverzüglich durch eine neue.

Verwenden Sie eine Projektorlampe LMP-H210 als Ersatzlampe.

Der Luftfilter wird mit der Projektorlampe LMP-H210 geliefert. Der Luftfilter ist zusammen mit der Lampe auszuwechseln. Ersetzen Sie bei jedem Lampenwechsel auch den Luftfilter durch einen neuen. Reinigen Sie außerdem die Lüftungsöffnungen (Einlass).

Tipps

Die Lebensdauer der als Lichtquelle verwendeten Lampe hängt von der Installationsumgebung bzw. den Nutzungsbedingungen ab. Sie können die Lampe länger verwenden, wenn Sie nach dem Einschalten der Lampe mehrere Minuten warten, bevor Sie sie wieder ausschalten.

Vorsicht

- Die Lampe bleibt auch nach dem Ausschalten des Geräts mit der Taste I/⏻ (ON/STANDBY) noch längere Zeit heiß. Falls Sie die Lampe berühren, können Sie sich die Finger verbrennen. Lassen Sie die Lampe mindestens 1 Stunde lang abkühlen, bevor Sie sie austauschen.
- Berühren Sie nicht die Lampenoberfläche. Falls Sie sie berühren, wischen Sie Fingerabdrücke mit einem weichen Tuch ab.
- Lassen Sie beim Lampenwechsel besondere Vorsicht walten, wenn das Gerät an der Decke montiert ist.

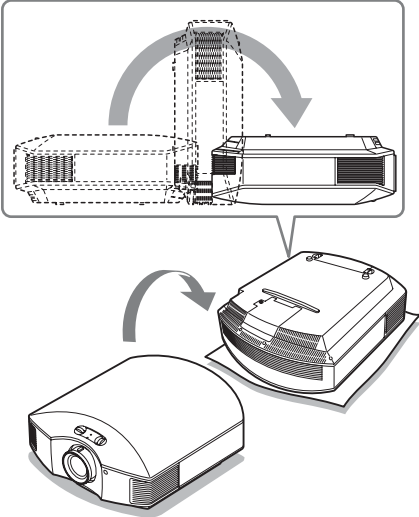
- Achten Sie beim Herausnehmen der Lampeneinheit darauf, dass sie horizontal bleibt, und ziehen Sie sie gerade nach oben. Die Lampeneinheit nicht kippen. Falls Sie die Lampeneinheit schräg herausziehen und die Lampe bricht, können die Bruchstücke verstreut werden und Verletzungen verursachen.
- Achten Sie beim Entfernen des Luftfilters darauf, dass kein Staub in den Projektor fällt.
- Das Auswechseln des Luftfilters ist ausschlaggebend für die Aufrechterhaltung der hohen Projektorleistung und für die Vermeidung von Funktionsstörungen. Wenn eine Warnmeldung zum Auswechseln des Luftfilters erscheint, müssen Sie den Luftfilter unverzüglich austauschen.

Hinweise

- Verwenden Sie unbedingt eine Projektorlampe LMP-H210 als Ersatz. Falls Sie eine andere Lampe als LMP-H210 verwenden, kann es zu einer Funktionsstörung des Geräts kommen.
- Schalten Sie unbedingt das Gerät aus, und ziehen Sie das Netzkabel ab, bevor Sie die Lampe austauschen. Vergewissern Sie sich dann, dass die Anzeige ON/STANDBY erloschen ist.

- 1 Schalten Sie den Projektor aus, und ziehen Sie das Netzkabel ab.

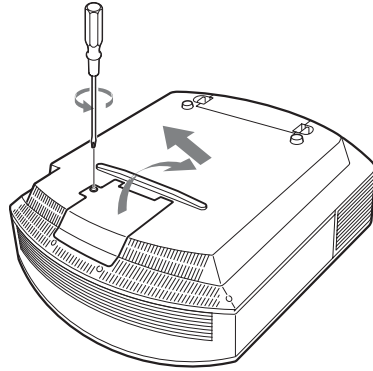
- 2** Wenn Sie den Projektor auf eine ebene Fläche (z. B. einen Tisch usw.) stellen, decken Sie die Fläche mit einem Tuch ab, damit sie nicht verkratzt wird. Drehen Sie den Projektor um, wie in der Abbildung gezeigt, und legen Sie ihn dann auf das Tuch.



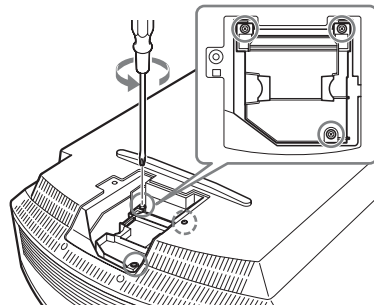
Hinweise

- Falls die Lampe beschädigt wird, können die Bruchstücke der Lampe verstreut werden, wenn der Projektor nicht umgedreht wird. Dies kann zu Verletzungen führen.
- Stellen Sie den Projektor auf eine stabile Fläche.

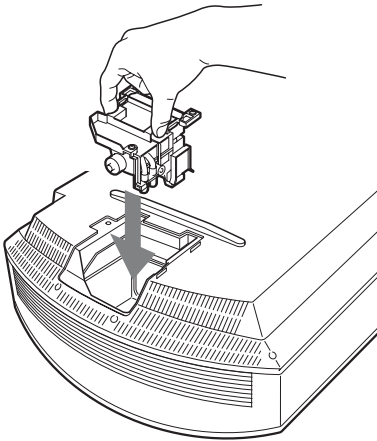
- 3** Lösen Sie die Schraube an der Lampenabdeckung mit einem Kreuzschlitzschraubendreher, und öffnen Sie dann die Lampenabdeckung.



- 4** Lösen Sie die 3 Schrauben an der Lampe mit dem Kreuzschlitzschraubendreher. Halten Sie den Griff hoch, und ziehen Sie dann die Lampe gerade heraus.



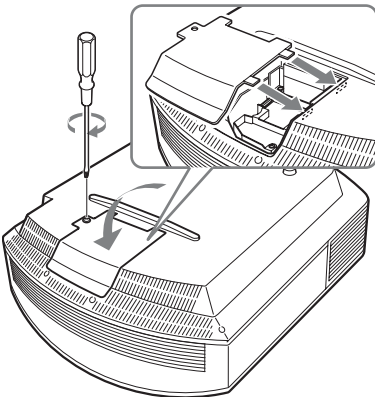
- 5** Halten Sie den Griff der neuen Lampe, schieben Sie die Lampe bis zum Anschlag fest hinein, und ziehen Sie dann die 3 Schrauben fest.



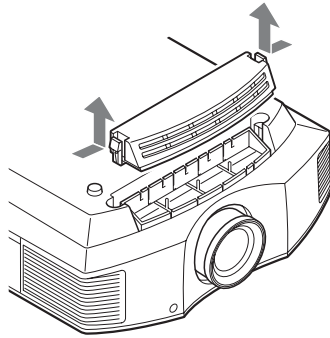
Hinweis

Achten Sie darauf, dass Sie nicht den Optikkblock im Inneren des Projektors berühren.

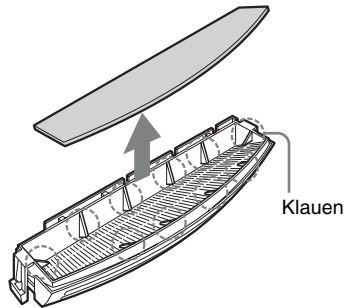
- 6** Schließen Sie die Lampenabdeckung, und ziehen Sie die Schrauben an.



- 7** Entfernen Sie den Filterhalter.



- 8** Entfernen Sie den Luftfilter.



- 9** Bringen Sie den neuen Luftfilter so an, dass er von den Klauen (10 Positionen) am Filterhalter gehalten wird.

Hinweis

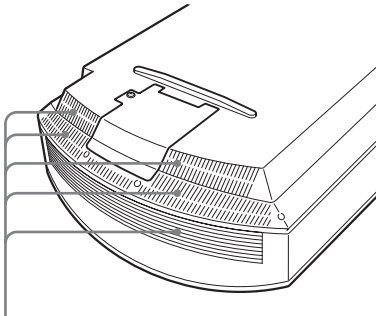
Richten Sie den Luftfilter beim Anbringen an der Form des Filterhalters aus. Vermeiden Sie es nach dem Entfernen des Luftfilters, den Lüfter tief im Inneren des Projektors zu berühren.

- 10** Bringen Sie den Filterhalter an.

Hinweis


Der Projektor lässt sich nur einschalten, wenn der Filterhalter einwandfrei geschlossen ist.

- 11** Säubern Sie die Lüftungsöffnungen (Einlass) mit einem weichen Tuch von Staub.

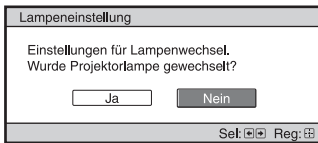


Lüftungsöffnungen (Einlass)

- 12** Bringen Sie das Gerät wieder in seine Ausgangslage.

- 13** Schalten Sie das Gerät ein, und wählen Sie dann den Lampeneinstellungsposten im Menü Einrichtung  aus.

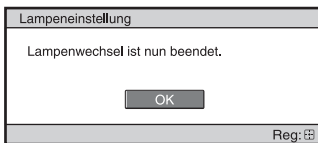
Der folgende Menübildschirm wird angezeigt.



Tip

Wenn „Einstellungssperre“ auf „Stufe B“ gesetzt ist, setzen Sie sie kurz auf „Aus“.

- 14** Wählen Sie „Ja“.



Vorsicht

Greifen Sie nicht in den Lampensteckplatz, und achten Sie darauf, dass keine Flüssigkeiten oder Fremdkörper in den Steckplatz eindringen, um einen elektrischen Schlag oder Brand zu vermeiden.

Hinweise

- Das Gerät lässt sich nur einschalten, wenn die Lampe vorschriftsmäßig installiert ist.
- Das Gerät lässt sich nicht einschalten, wenn die Lampenabdeckung nicht einwandfrei geschlossen ist.
- Um eine Meldung auf der Leinwand zu löschen, drücken Sie einmal eine beliebige Taste an der Fernbedienung oder am Bedienfeld des Geräts.

Hinweis

Die Lampe enthält Quecksilber. Die Entsorgungsvorschriften für verbrauchte Leuchtstoffröhren hängen von Ihrem Wohnort ab. Befolgen Sie die Müllentsorgungsvorschriften in Ihrem Gebiet.

Reinigen des Luftfilters

Wenn „Filter reinigen.“ auf der Leinwand erscheint, müssen Sie den Luftfilter reinigen.

Der Luftfilter sollte alle 1.500 Stunden gereinigt werden. Dieser Wert hängt von der Umgebung und den Nutzungsbedingungen des Projektors ab. 1.500 Stunden sind ein Näherungswert.

Waschen Sie den Luftfilter mit einer milden Reinigungslösung, und lassen Sie ihn an einem schattigen Ort trocknen.

Hinweise

- Achten Sie beim Reinigen des Luftfilters darauf, dass er nicht beschädigt wird. Einzelheiten zum Anbringen und Abnehmen des Luftfilters finden Sie unter „Austauschen der Lampe“, Schritt 7 bis 10 (Seite 19).
- Achten Sie beim Entfernen des Luftfilters darauf, dass kein Staub in den Projektor fällt.
- Das Reinigen des Luftfilters ist ausschlaggebend für die Aufrechterhaltung der hohen Projektorleistung und für die Vermeidung von Funktionsstörungen. Wenn eine Warnmeldung zum Reinigen des Luftfilters erscheint, müssen Sie den Luftfilter unverzüglich reinigen.

Informazioni sulla Guida rapida all'uso

La presente Guida rapida all'uso descrive l'installazione e le operazioni di base per la proiezione di immagini. Inoltre, sono descritte note e precauzioni importanti a cui prestare attenzione durante l'uso di questa unità.

Vedere "Spie di avvertenza", "Sostituzione della lampada" e "Pulizia del filtro dell'aria" in base alle necessità.

Per i dettagli sulle operazioni, consultare le Istruzioni per l'uso contenute nel CD-ROM in dotazione.

Punto 1

PreparazionePagina 8

Punto 2

Installazione dell'unitàPagina 9

Punto 3

Collegamento dell'unità.....Pagina 11

Punto 4

**Selezione della lingua del menu
.....Pagina 12**

Punto 5

ProiezionePagina 13

Gestione degli errori

Spie di avvertenza.....Pagina 15

Manutenzione

Sostituzione della lampada.....Pagina 16

Pulizia del filtro dell'ariaPagina 19

Leggere attentamente questo manuale prima di utilizzare l'unità, e conservarlo per riferimenti futuri.

AVVERTENZA

Per ridurre il rischio di incendi o scosse elettriche, non esporre questo apparato alla pioggia o all'umidità.

Per evitare scosse elettriche, non aprire l'involucro. Per l'assistenza rivolgersi unicamente a personale qualificato.

AVVERTENZA

QUESTO APPARECCHIO DEVE ESSERE COLLEGATO A MASSA.

AVVERTENZA

Durante l'installazione dell'apparecchio, incorporare un dispositivo di scollegamento prontamente accessibile nel cablaggio fisso, oppure collegare la spina di alimentazione ad una presa di corrente facilmente accessibile vicina all'apparecchio. Qualora si verifici un guasto durante il funzionamento dell'apparecchio, azionare il dispositivo di scollegamento in modo che interrompa il flusso di corrente oppure scollegare la spina di alimentazione.

ATTENZIONE

Informazioni sul connettore LAN (solo VPL-HW65)

Per ragioni di sicurezza, non collegare il connettore per il cablaggio del dispositivo periferico che potrebbe avere una tensione eccessiva in questa porta.

AVVERTENZA

1. Utilizzare un cavo di alimentazione (a 3 anime)/connettore per l'apparecchio/spina con terminali di messa a terra approvati che siano conformi alle normative sulla sicurezza in vigore in ogni paese, se applicabili.

2. Utilizzare un cavo di alimentazione (a 3 anime)/connettore per l'apparecchio/spina conformi alla rete elettrica (voltage, ampere).

In caso di domande relative all'uso del cavo di alimentazione/connettore per l'apparecchio/spina di cui sopra, rivolgersi al personale qualificato.

Informazioni sugli occhiali 3D

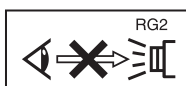
Gli occhiali 3D comunicano con il proiettore tramite tecnologia Bluetooth per visualizzare i segnali 3D.

a) bande di frequenza di funzionamento dell'apparecchiatura radio:

2.4 - 2.4835 GHz

b) massima potenza a radiofrequenza trasmessa nelle bande di frequenza in cui opera l'apparecchiatura radio:

4.30 dBm (E.I.R.P.)



Come per qualsiasi sorgente luminosa intensa, non fissare direttamente il fascio di luce, RG2 IEC 62471-5:2015.

Per i clienti in Europa

Avviso per i clienti: le seguenti informazioni sono valide solo per gli apparecchi venduti nei paesi che applicano le direttive UE.



Con la presente Sony Corporation dichiara che VPL-HW65/VPL-HW45 è conforme ai requisiti essenziali ed alle altre disposizioni pertinenti stabilite dalla direttiva 1999/5/CE. Per ulteriori dettagli, si prega di consultare il seguente URL:

<http://www.compliance.sony.de/>

Attenzione per sostituzione/smaltimento della batteria degli occhiali 3D

Se una batteria non viene sostituita correttamente vi è il rischio di esplosione. Sostituire una batteria con una uguale o simile seguendo le raccomandazioni del produttore.

Per lo smaltimento della batteria, attenersi alle norme in vigore nel paese di utilizzo.

Nota: Le seguenti frasi integrano il manuale di istruzioni e, in caso di discordanza, prevalgono sul manuale di istruzioni.

Indicazioni specifiche e avvertenze per l'utilizzo di occhiali 3D in ambito domestico, richieste dal Ministero della Salute Italiano.

- L'utilizzo degli occhiali 3D è controindicato per i bambini al di sotto dei 6 anni di età.
- L'utilizzo continuativo degli occhiali 3D deve in ogni caso essere limitato a un tempo massimo orientativamente pari a quello della durata di uno spettacolo cinematografico.
- L'utilizzo degli occhiali 3D deve essere limitato esclusivamente alla visione di contenuti in 3D.
- Gli occhiali 3D devono essere utilizzati contestualmente agli strumenti correttivi della visione (ad es., occhiali da vista/lenti a contatto), qualora abitualmente utilizzati dall'utente.
- E' opportuno interrompere immediatamente la visione in 3D in caso di comparsa di disturbi agli occhi o di malessere generale e, nell'eventualità di persistenza degli stessi, consultare un medico.
- Gli occhiali 3D devono essere tenuti fuori dalla portata dei bambini qualora vi sia la presenza di piccole parti mobili ingeribili.
- La pulizia degli occhiali 3D deve essere fatta utilizzando un panno leggermente inumidito con una soluzione di sapone delicato e acqua tiepida, non usare prodotti a base alcolica.
- L'uso di sostanze disinfettanti può danneggiare il prodotto o comprometterne la funzionalità; è pertanto controindicato l'uso promiscuo degli occhiali 3D in caso di infezioni oculari o altre affezioni trasmissibili per contatto (a titolo meramente esemplificativo: congiuntivite, infestazioni del capo ecc...) fino alla completa scomparsa dell'infezione stessa.

Precauzioni

Sicurezza

- Verificare che la tensione di funzionamento dell'unità corrisponda alla tensione della rete elettrica locale.
- Se liquidi o solidi dovessero cadere nel mobile, scollegare l'unità e farla controllare da personale qualificato prima di usarla nuovamente.
- Se l'unità non sarà utilizzata per diversi giorni, scollegarla dalla presa di rete.
- Per scollegare il cavo, tirarlo fuori afferrando la spina. Non tirare mai direttamente il cavo.
- La presa di rete dovrebbe essere vicina all'unità e facilmente accessibile.
- L'unità non è scollegata dalla sorgente di alimentazione c.a. (rete elettrica) finché è collegata alla presa di rete, anche se l'unità stessa è stata spenta.
- Non guardare dentro l'obiettivo quando la lampada è accesa.
- Non mettere le mani o degli oggetti vicino alle prese di ventilazione. L'aria che ne fuoriesce è calda.

Prevenzione del surriscaldamento interno

Dopo aver spento l'alimentazione con il pulsante I/⏻ (accensione/attesa), non scollegare l'unità dalla presa di rete mentre la ventola di raffreddamento è ancora in funzione.

Attenzione

Questa unità è dotata di prese di ventilazione di aspirazione e di scarico. Non ostruire o mettere alcun oggetto vicino a queste aperture; potrebbe verificarsi surriscaldamento interno, provocando un peggioramento dell'immagine o danneggiamento dell'unità.

Imballaggio

Conservare la scatola e il materiale di imballaggio originale, poiché potrebbero servire se fosse necessario spedire l'apparecchio. Per ottenere la massima protezione, imballare l'apparecchio nello stesso modo in cui è stato imballato in stabilimento.

Informazioni sulla visione di immagini video 3D

Precauzioni per la sicurezza

- Gli occhiali 3D devono essere utilizzati esclusivamente per guardare immagini video in 3D.
- Se si notano tremolii o lampi, spegnere l'illuminazione della stanza.
- Prodotto non destinato all'uso da parte di bambini senza l'appropriata supervisione di un adulto.
- Fare attenzione a non schiacciarsi le dita durante la chiusura delle stanghette degli occhiali 3D.
- Non lasciar cadere né modificare gli occhiali 3D.
- In caso di rottura degli occhiali, evitare il contatto di occhi e bocca con i frammenti.

Proiettore LCD

Il proiettore LCD è prodotto con una tecnologia di alta precisione. Tuttavia potrebbero essere visibili dei puntini neri e/o luminosi (rossi, blu o verdi) che appaiono in modo permanente sul proiettore LCD.

Questo è un risultato normale del processo di fabbricazione e non costituisce un guasto.

Inoltre, usando più proiettori LCD per proiettare su uno schermo, anche se sono dello stesso modello, la risoluzione dei colori dei vari proiettori può cambiare in quanto il bilanciamento dei colori potrebbe essere impostato diversamente da un proiettore all'altro.

Informazioni sulla condensa

Se la temperatura dell'ambiente dove il proiettore installato cambia rapidamente, o se il proiettore viene improvvisamente spostato da una stanza fredda a una calda, è possibile che sul proiettore si formi condensa. Dato che la condensa può provocare malfunzionamenti, prestare attenzione alle regolazioni delle impostazioni di temperatura del condizionatore d'aria. Se si forma condensa, lasciare il proiettore acceso per circa due ore prima dell'uso.

Note sulla sicurezza (solo VPL-HW65)

- SONY NON SARÀ RESPONSABILE DI DANNI DI QUALSIASI TIPO RISULTANTI DALLA MANCATA IMPLEMENTAZIONE DI MISURE DI PROTEZIONE ADEGUATE SUI DISPOSITIVI DI TRASMISSIONE, DA INEVITABILI DIFFUSIONI DI DATI RISULTANTI DALLE SPECIFICHE TECNICHE DELLA TRASMISSIONE O DA PROBLEMATICHE RELATIVE ALLA SICUREZZA DI QUALSIASI TIPO.
- In base all'ambiente operativo, terze parti non autorizzate alla rete potrebbero essere in grado di accedere all'unità. Quando si collega l'unità alla rete, accertarsi di confermare che la rete è efficacemente protetta.
- Per garantire la protezione, quando si utilizza l'unità collegata alla rete, si consiglia di accedere alla finestra di controllo tramite un browser Web e di modificare le impostazioni della limitazione di accesso rispetto ai valori predefiniti (consultare "Uso delle funzionalità di rete" nelle Istruzioni per l'uso).
Si consiglia anche di modificare la password regolarmente.
- Non accedere ad altri siti con il browser Web durante o dopo la determinazione delle impostazioni. Poiché lo stato di accesso rimane nel browser Web, chiudere il browser una volta completate le impostazioni per impedire che terze parti non autorizzate possano utilizzare l'unità o eseguire programmi pericolosi.

Nota

SONY NON SARÀ RESPONSABILE DI DANNI DI QUALSIASI TIPO RISULTANTI DALL'UTILIZZO DI QUESTA UNITÀ PER SCOPI DIFFERENTI DA QUELLI DI UTILIZZO DOMESTICO GENERALE, SIA DURANTE IL PERIODO DI GARANZIA, SIA DOPO LA SUA SCADENZA.

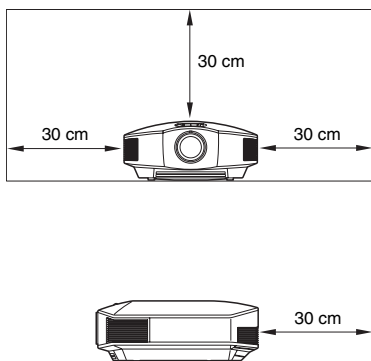
Note sull'installazione e sull'utilizzo

Posizioni di installazione inadatte

Non installare l'unità nelle seguenti condizioni, che potrebbero causare malfunzionamenti o danneggiarla.

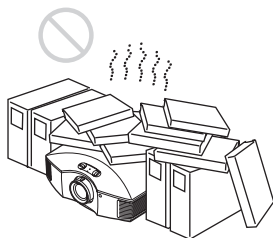
Vicino alle pareti

Per mantenere le prestazioni e la leggibilità dell'unità, lasciare uno spazio tra le pareti e l'unità, come illustrato.

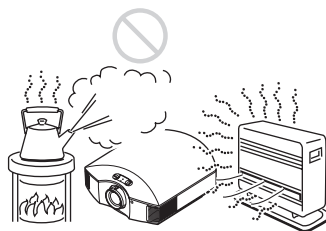


Posizioni con ventilazione insufficiente

Lasciare uno spazio di almeno 30 cm intorno all'unità.

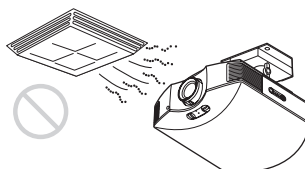


Caldo e umido



Posizioni esposte a flusso diretto di aria fresca o calda proveniente da un condizionatore

Installando l'unità in tali posizioni, potrebbe verificarsi un suo malfunzionamento causato dalla condensazione dell'umidità o dall'aumento della temperatura.



Vicino a un sensore di calore o di fumo

Potrebbe verificarsi un malfunzionamento del sensore.



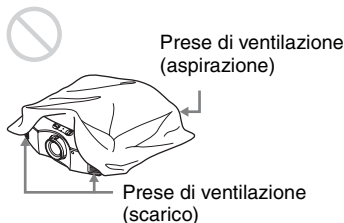
Posizioni molto polverose o estremamente fumose



Condizioni non idonee

Durante l'uso dell'unità, non effettuare alcuna delle operazioni che seguono.

Ostruire le prese di ventilazione (aspirazione o scarico)



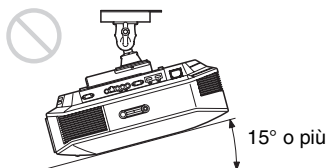
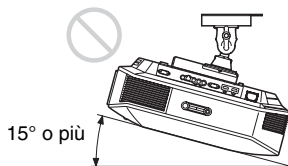
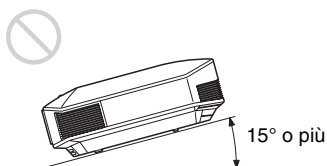
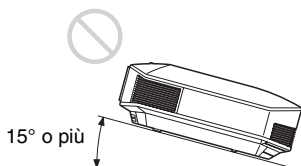
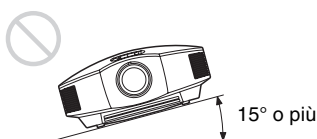
Inclinare avanti/indietro e sinistra/destra

Non usare l'unità inclinata di un angolo superiore a 15 gradi.

Non installare l'unità altrove che su una superficie in piano o sul soffitto. Installando l'unità in tale posizione i colori potrebbero apparire disuniformi oppure potrebbe diminuire l'affidabilità dell'effetto della lampada.

Se si inclina l'unità verso l'alto o il basso, l'immagine sullo schermo potrebbe risultare trapezoidale.

Posizionare l'unità in modo che l'obiettivo sia parallelo allo schermo.



Installazione dell'unità a quota elevata

Quando si usa l'unità a una quota di 1.500 m o superiore, impostare "Modo quota el." nel menu Impostazione su "Inser.". Se non viene impostata questo modo e l'unità è usata a quote elevate, potrebbero verificarsi degli effetti negativi, quale la diminuzione dell'affidabilità di determinati componenti.

Precauzioni di sicurezza per l'installazione dell'unità sul soffitto

- Non montare mai il proiettore sul soffitto né spostarlo da soli. Per l'installazione rivolgersi a personale Sony qualificato (a pagamento).
- Se si installa l'unità sul soffitto, accertarsi di utilizzare un cavetto di sicurezza, ecc., per impedire la caduta dell'unità. Affidare l'installazione a un installatore specializzato.

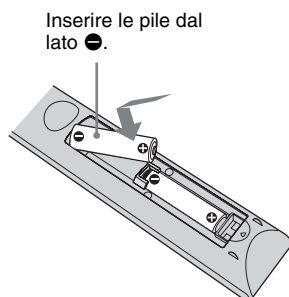
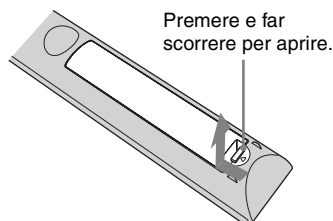
Per rivenditori

- Se si installa il proiettore sul soffitto, utilizzare per l'installazione una staffa Sony o equivalente consigliata.
- Fissare saldamente il coperchio dell'unità per una installazione sul soffitto sicura.

Verifica degli accessori in dotazione

Verificare che la confezione contenga tutti gli elementi indicati di seguito:

- Telecomando RM-PJ28 (1)
- Pile formato AA (R6) al manganese (2)
- Cavo di alimentazione c.a. (1)
- Copriobiettivo (1)
Al momento dell'acquisto del proiettore, il copriobiettivo è sull'obiettivo. Rimuovere il copriobiettivo quando si utilizza il proiettore.
- Guida rapida all'uso (questo manuale) (1)
- Istruzioni per l'uso (CD-ROM) (1)

Inserimento delle pile nel telecomando**ATTENZIONE**

Se una batteria non viene sostituita correttamente vi è il rischio di esplosione. Sostituire una batteria con una uguale o simile seguendo le raccomandazioni del produttore.

Per lo smaltimento della batteria, attenersi alle norme in vigore nel paese di utilizzo.

Attenzione

Due pile formato AA (R6) sono fornite in dotazione per il telecomando.

Per evitare il rischio di esplosione, utilizzare pile formato AA (R6) al manganese o alcaline.

Precauzioni per l'uso del telecomando

- Maneggiare il telecomando con cura. Non farlo cadere, calpestarlo o versarvi sopra liquidi di alcun tipo.
- Non posizionare il telecomando in prossimità di fonti di calore, né in luoghi soggetti alla luce diretta del sole o in stanze umide.

Uso del manuale su CD-ROM

Il manuale può essere letto esclusivamente su un computer su cui è installato Adobe Reader.

È possibile scaricare gratuitamente Adobe Reader dal sito web di Adobe.

- 1** Aprire il file index. htm nel CD-ROM.
- 2** Selezionare e fare clic sul manuale che si desidera leggere.

Nota

In caso di perdita o di danneggiamento del CD-ROM, è possibile acquistarne uno nuovo da un rivenditore Sony o rivolgendosi all'assistenza Sony.

- 1 Posizionare l'unità in modo che l'obiettivo sia parallelo allo schermo.
- 2 Dopo aver collegato il cavo di alimentazione c.a. all'unità, collegarlo a una presa della rete elettrica.

Parte superiore dell'unità

ON/STANDBY



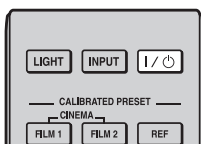
Si illumina in rosso.

Nota

Dopo aver collegato il cavo di alimentazione c.a. all'unità, la spia ON/STANDBY potrebbe lampeggiare in arancione.

Potrebbe non essere possibile controllare l'unità mentre la spia lampeggia, tuttavia non si tratta di un malfunzionamento. Attendere che la spia smetta di lampeggiare e che si illumini di rosso.

- 3 Premere il pulsante I/⏻ (ON/STANDBY) per accendere l'unità.



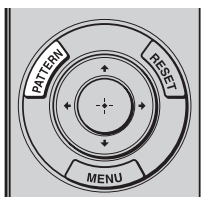
Parte superiore dell'unità

ON/STANDBY

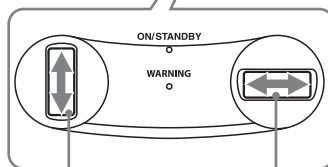
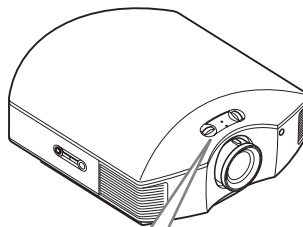


Lampeggia per un pò (decine di secondi) in verde, quindi si illumina in verde.

- 4 Premere il pulsante PATTERN per visualizzare un segnale di prova ed effettuare le regolazioni.



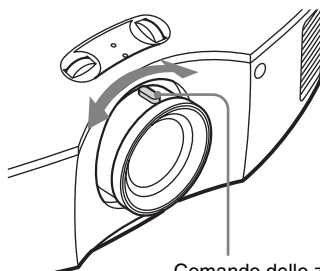
- 1 Muovere entrambe le ghiera di spostamento obiettivo per regolare la posizione dell'immagine.



Regolazione della posizione verticale

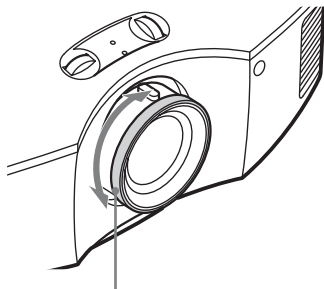
Regolazione della posizione orizzontale

- 2 Regolare la dimensione dell'immagine con il comando dello zoom.



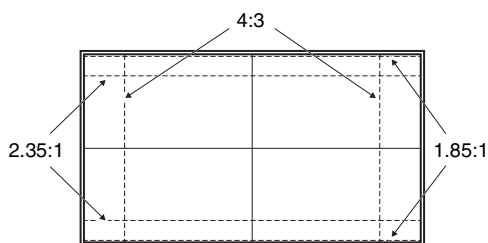
Comando dello zoom

3 Regolare la messa a fuoco con l'anello di messa a fuoco.



Anello di messa a fuoco

**Finestra di regolazione obiettivo
(modello di prova)**

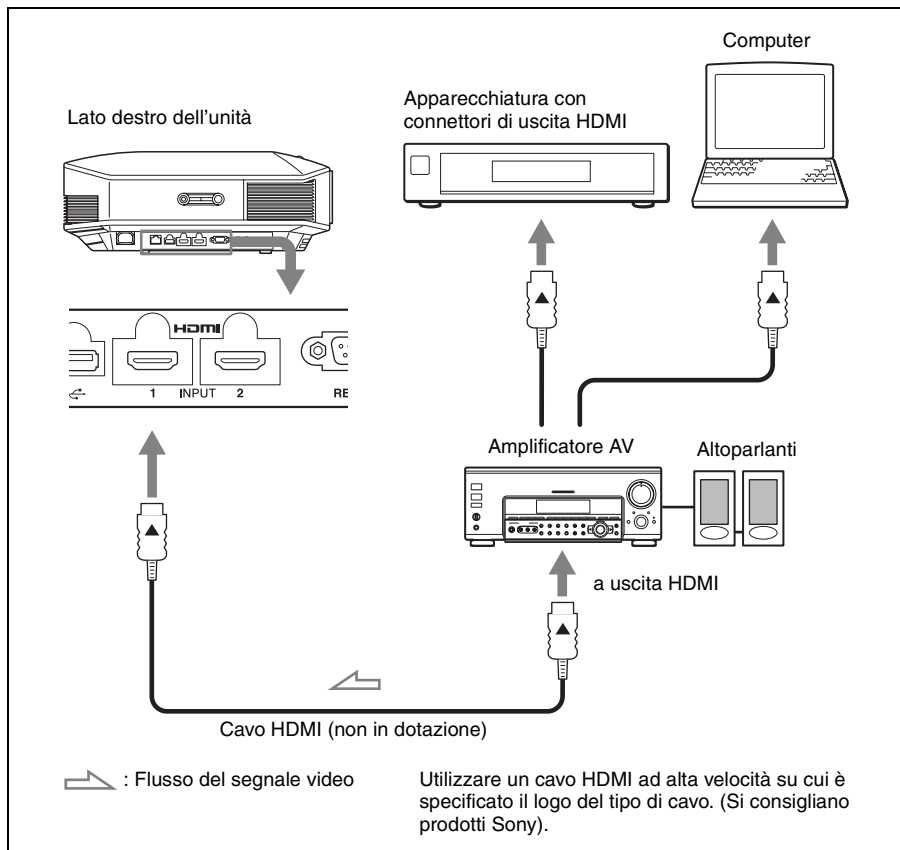


Le linee tratteggiate mostrano le dimensioni dello schermo per ogni formato.

Per i dettagli, consultare "Collegamenti e preparazioni" nelle Istruzioni per l'uso sul CD-ROM in dotazione.

Effettuare i collegamenti osservando quanto segue:

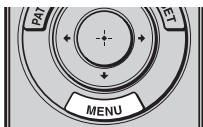
- Spegnere tutte le apparecchiature prima di effettuare qualsiasi collegamento.
- Usare cavi adatti a ciascun collegamento.
- Inserire correttamente le spine dei cavi; se il collegamento delle spine non è corretto, potrebbe verificarsi un malfunzionamento oppure la qualità dell'immagine potrebbe essere scadente. Per scollegare un cavo, afferrare la spina senza tirare il cavo stesso.
- Consultare le istruzioni d'uso dell'apparecchiatura collegata.



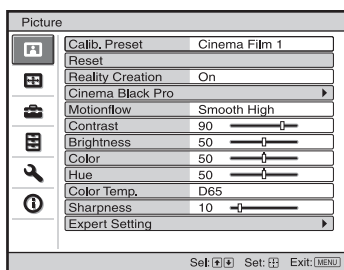
Per i dettagli, consultare "Collegamenti e preparazioni" nelle Istruzioni per l'uso sul CD-ROM in dotazione.

È possibile scegliere la lingua di presentazione del menu e di altre visualizzazioni su schermo. L'impostazione predefinita di stabilimento è l'inglese. Per cambiare la lingua del menu attuale, impostare la lingua desiderata con la schermata del menu.

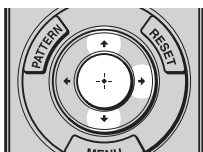
1 Premere MENU.



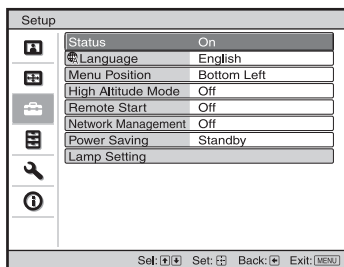
Appare il menu.



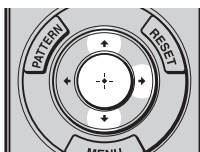
2 Premere ↑/↓ per selezionare il menu Setup e premere → o ⏏.



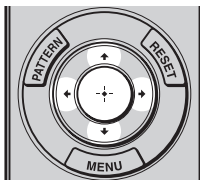
Vengono visualizzate le voci di impostazione del menu selezionato.



3 Premere ↑/↓ per selezionare "Language" e premere → o ⏏.



4 Premere ↑/↓/←/→ per selezionare una lingua, quindi premere ⏏.



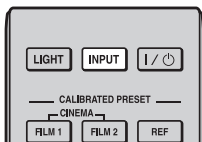
Il menu passa alla lingua selezionata.

Cancellazione del menu

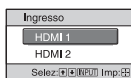
Premere MENU.

Proiezione dell'immagine

- 1 Accendere l'unità e l'apparecchiatura ad essa collegata.
- 2 Premere INPUT per visualizzare sullo schermo gli ingressi disponibili.



- 3 Selezionare l'apparecchiatura della quale visualizzare le immagini. Premere ripetutamente INPUT oppure premere $\uparrow/\downarrow/(\oplus)$ (invio) per selezionare l'apparecchiatura di cui proiettare le immagini.



Esempio: per visualizzare l'immagine dall'apparecchiatura video collegata al connettore HDMI 1 di questa unità.

Spegnimento dell'alimentazione

- 1 Premere il pulsante I/⏻ (ON/STANDBY).
Sullo schermo appare il messaggio "DISATTIVARE?".
- 2 Premere di nuovo il pulsante I/⏻ (ON/STANDBY) prima che il messaggio scompaia.
La spia ON/STANDBY lampeggia in verde e la ventola continua a girare per ridurre il calore interno.

La ventola si arresta e la spia ON/STANDBY passa da luce verde lampeggiante a rosso fisso.

Questo indica lo spegnimento completo dell'alimentazione. È ora possibile rimuovere il cavo di alimentazione.

Nota

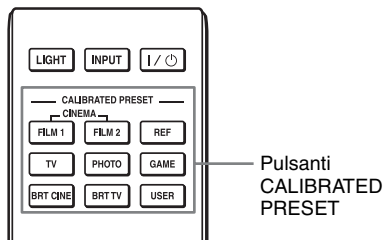
Non scollegare mai il cavo di alimentazione mentre l'indicatore lampeggia.

È possibile spegnere l'unità tenendo premuto il pulsante I/⏻ (ON/STANDBY) per circa 1 secondo, invece di eseguire la procedura precedentemente indicata.

Per i dettagli, consultare "Proiezione" nelle Istruzioni per l'uso sul CD-ROM in dotazione.

Selezione della modalità di visualizzazione dell'immagine

Premere uno dei pulsanti CALIBRATED PRESET.



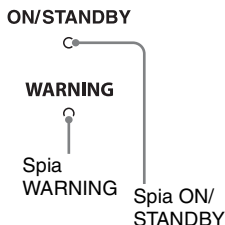
Voci di impostazione	Descrizione
CINEMA FILM 1	Qualità dell'immagine adatta alla riproduzione di immagini chiare e dinamiche tipiche delle pellicole positive master.
CINEMA FILM 2	Qualità dell'immagine adatta alla riproduzione delle ricche tonalità e colori tipiche di un movie theater.
REF	Impostazione della qualità dell'immagine adatta per la riproduzione fedele della qualità dell'immagine originale o per ottenere una qualità dell'immagine senza alcuna regolazione.
TV	Qualità dell'immagine adatta per la visione di programmi TV, sport, concerti ecc.
PHOTO	Ideale per proiettare fotografie scattate con una fotocamera digitale.
GAME	Qualità dell'immagine adatta per i giochi, con colori ben modulati e risposta rapida.
BRT CINE	Qualità dell'immagine adatta per guardare film in un ambiente luminoso, ad esempio un soggiorno.
BRT TV	Qualità dell'immagine adatta per guardare programmi televisivi, sport, concerti e altri video in un ambiente luminoso, ad esempio un soggiorno.
USER	Regola la qualità dell'immagine in modo personale e salva l'impostazione. L'impostazione predefinita è uguale a "REF".

Per i dettagli, consultare "Proiezione" nelle Istruzioni per l'uso sul CD-ROM in dotazione.

Gestione degli errori

Spie di avvertenza

La spia ON/STANDBY o WARNING si illumina o lampeggia in caso di problemi del proiettore.



Spie illuminate/lampeggianti	Numero di lampeggi	Causa e rimedio
ON/STANDBY ○	Due volte	Chiudere saldamente il coperchio della lampada, quindi serrare saldamente le viti. Chiudere a fondo la sede del filtro.
WARNING ☀️ (Lampeggia in rosso)	Tre volte	La temperatura della lampada è insolitamente alta. Spegner e attendere che la lampada si raffreddi, quindi riaccendere l'alimentazione. Se il sintomo persiste, la lampada potrebbe essere giunta al termine della durata utile. In questo caso, sostituire la lampada con una nuova.
ON/STANDBY ☀️ (Lampeggia in rosso)	Due volte	La temperatura interna è insolitamente elevata. Verificare che le prese di ventilazione non siano ostruite oppure se l'unità viene usata a quota elevata.
WARNING ☀️ (Lampeggia in rosso) Entrambe le spie lampeggiano	Tre volte	La ventola è guasta. Rivolgersi a personale Sony qualificato.

Nota

Se dovesse lampeggiare una spia di avvertenza diversa da quelle citate e il problema persiste anche dopo aver effettuato le precedenti operazioni, rivolgersi a personale Sony qualificato.

Per eventuali problemi o a seguito della comparsa di un messaggio d'errore sullo schermo, consultare "Risoluzione dei problemi" nelle Istruzioni per l'uso sul CD-ROM in dotazione.

Sostituzione della lampada

Attrezzatura necessaria:

- Lampada per proiettore LMP-H210 (opzionale)
- Normale cacciavite con punta a croce
- Panno (per evitare i graffi)

La lampada che costituisce la sorgente luminosa ha una determinata vita utile. Se la luminosità della lampada diminuisce, il bilanciamento del colore dell'immagine è anormale, oppure appare sullo schermo "Sostituire la lampada/filtro.", la lampada potrebbe essere esaurita. Sostituire subito la lampada con una nuova.

Come lampada di ricambio per proiettore usare la LMP-H210.

Insieme alla lampada per proiettore LMP-H210 viene fornito il filtro dell'aria. Quando si sostituisce la lampada, è necessario sostituire anche il filtro dell'aria.

Quando si sostituisce la lampada, non dimenticare di sostituire il filtro dell'aria con uno nuovo. Pulire anche le prese di ventilazione (aspirazione).

Suggerimento

La durata della lampada utilizzata come sorgente luminosa varia in funzione dell'ambiente di installazione o delle condizioni di utilizzo. La durata della lampada può essere estesa evitando di spegnerla prima che siano passati alcuni minuti dall'accensione.

Attenzione

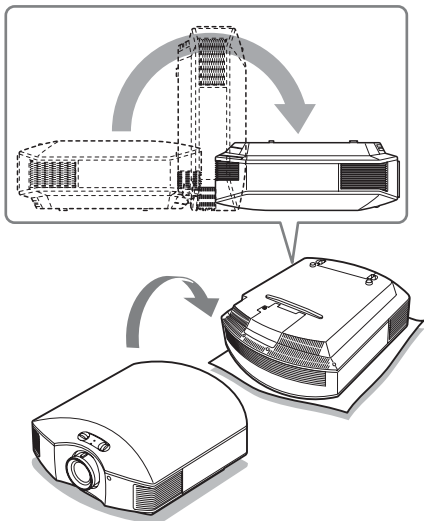
- La lampada è ancora calda dopo aver spento l'unità con il pulsante I/⏻ (ON/STANDBY). Toccando la lampada, ci si potrebbe ustionare le dita. Quando si sostituisce la lampada, aspettare almeno 1 ora che si raffreddi.
- Non toccare la superficie della lampada. Se venisse toccata, pulire le ditate con un panno morbido.
- Prestare particolare attenzione alla sostituzione della lampada di un'unità installata sul soffitto.
- Per rimuovere l'unità della lampada, mantenerla orizzontale e tirare direttamente verso l'alto. Non inclinare l'unità della lampada. Se tirando fuori l'unità della lampada in posizione inclinata la lampada si rompe, i frammenti potrebbero disperdersi e provocare lesioni.
- Nel smontare il filtro dell'aria, prestare attenzione a non far cadere polvere nel proiettore.
- Per mantenere delle buone prestazioni del proiettore e per evitare guasti, è fondamentale la sostituzione del filtro dell'aria. Quando appare un messaggio di avvertenza di sostituzione del filtro dell'aria, sostituirlo immediatamente.

Note

- Per la sostituzione, usare unicamente una lampada per proiettore LMP-H210. Usando lampade diverse dalla LMP-H210, l'unità potrebbe guastarsi.
- Prima di sostituire la lampada, spegnerla e scollegare il cavo di alimentazione, quindi verificare che la spia ON/STANDBY si sia già spenta.

- 1 Spegner il proiettore e scollegare il cavo di alimentazione c.a.

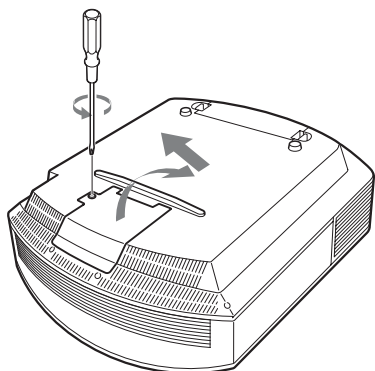
- 2** Quando si posa il proiettore su un piano quale una scrivania ecc., usare un panno per evitare di graffiare la superficie. Ribaltare il proiettore come indicato, quindi posarlo sul panno.



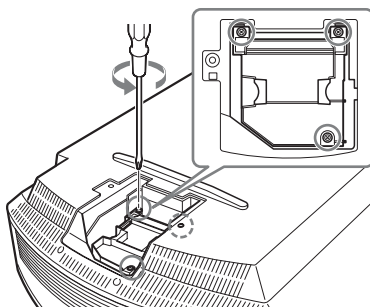
Note

- Se la lampada viene danneggiata i pezzi possono spargersi, se non si capovolge il proiettore. Pericolo di lesioni.
- Controllare che il proiettore sia posato su un piano stabile.

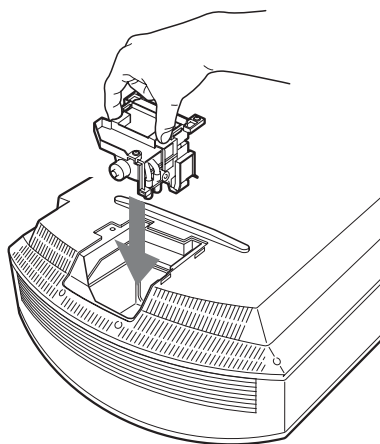
- 3** Svitare con un cacciavite con punta a croce la vite del coperchio della lampada, quindi aprirlo.



- 4** Allentare le 3 viti sulla lampada con il cacciavite con punta a croce. Sollevare la maniglia, quindi tirare fuori la lampada direttamente verso l'alto.



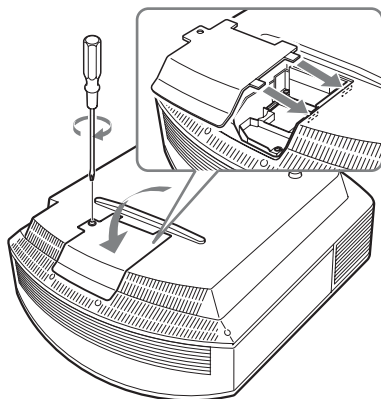
- 5** Afferrare la maniglia della lampada nuova e spingerla decisamente verso l'interno finché arriva in fondo, quindi serrare le 3 viti.



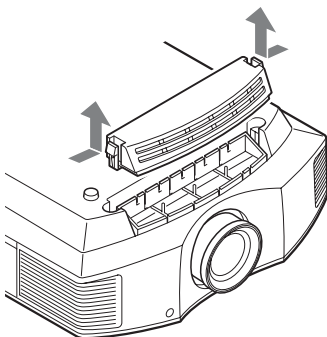
Nota

Prestare attenzione a non toccare il blocco ottico all'interno dell'unità.

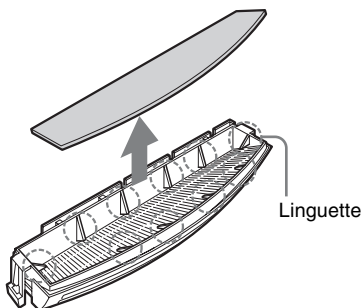
- 6** Chiudere il coperchio della lampada, quindi serrare le viti.



- 7** Smontare la sede del filtro.



- 8** Smontare il filtro dell'aria.



- 9** Montare il nuovo filtro dell'aria in modo che si inserisca in ciascuna delle linguette (10 posizioni) nella sede del filtro.

Nota

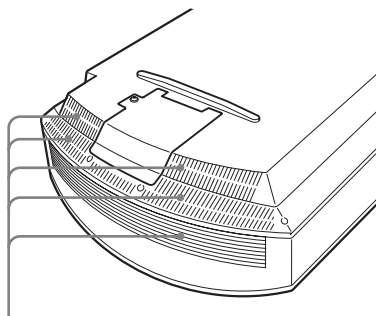
Montare il filtro dell'aria sistemandolo nella apposita sede.
Inoltre, non toccare la ventola dopo aver smontato il filtro dell'aria che si trova molto all'interno del proiettore.

- 10** Montare la sede del filtro.

Nota


Il proiettore non si accenderà se la sede del filtro non è chiusa saldamente.

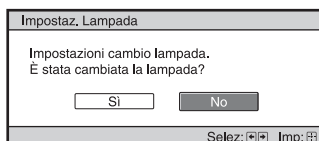
- 11** Togliere la polvere dalle prese di ventilazione (aspirazione) usando un panno morbido.



Prese di ventilazione (aspirazione)

- 12** Rimettere l'unità nella posizione originale.

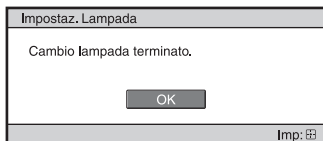
- 13** Accendere l'unità, quindi selezionare la voce di impostazione lampada nel menu Impostazione . Verrà visualizzata la schermata di menu che segue.



Suggerimento

Se “Blocco impost.” è impostato su “Livello B” impostare su “Disin.” una volta.

14 Selezionare “Sì”.



Attenzione

Non infilare le mani nella sede di sostituzione della lampada e fare in modo che non ci cadano dei liquidi o degli oggetti per evitare scossa elettrica o incendio.

Note

- L'unità non si accenderà se la lampada non è montata saldamente in posizione.
- L'unità non si accenderà se il coperchio della lampada non è chiuso saldamente.
- Per cancellare un messaggio visualizzato sullo schermo, premere una volta un pulsante qualsiasi sul telecomando o sul pannello di controllo dell'unità.

Nota

La lampada contiene mercurio. Le norme per lo smaltimento dei tubi fluorescenti esauriti dipendono dal paese di residenza. Seguire le regolamentazioni di smaltimento dei rifiuti applicabili nel proprio paese.

Pulizia del filtro dell'aria

Quando appare sullo schermo “Pulire il filtro.”, è necessario pulire il filtro dell'aria. Il filtro dell'aria dovrebbe essere pulito ogni 1.500 ore. Questo valore varia in funzione dell'ambiente o di come è usato il proiettore. 1.500 ore è un valore approssimato. Dopo aver lavato il filtro dell'aria con una soluzione di detersivo delicato, farlo asciugare all'ombra.

Note

- Quando si pulisce il filtro dell'aria, verificare di non danneggiarlo.
Per informazioni su come fissare e rimuovere il filtro dell'aria, vedere “Sostituzione della lampada” Punti da 7 a 10 (pagina 18).
- Nel smontare il filtro dell'aria, prestare attenzione a non far cadere della polvere nel proiettore.
- Per mantenere delle buone prestazioni del proiettore e per evitare guasti, è fondamentale la pulizia del filtro dell'aria. Quando appare un messaggio di avvertenza di pulizia del filtro dell'aria, pulirlo immediatamente.

О документе Краткое справочное руководство

В данном документе Краткое справочное руководство описана установка и основные операции для проецирования изображений. В этом руководстве также содержатся важные примечания и предупреждения, которым следует уделять особое внимание при обращении с аппаратом и его эксплуатации.

При необходимости см. “Предупреждающие индикаторы”, “Замена лампы” и “Очистка воздушного фильтра”.

Для получения дополнительной информации об операциях см. документ Инструкция по эксплуатации, содержащийся на прилагаемом компакт-диске.

Шаг 1.

Подготовка Стр. 10

Шаг 2.

Установка устройства Стр. 12

Шаг 3.

Подключение устройства..... Стр. 14

Шаг 4.

Выбор языка меню..... Стр. 15

Шаг 5.

Проецирование Стр. 16

Устранение ошибок

Предупреждающие индикаторы Стр. 18

Техническое обслуживание

Замена лампы..... Стр. 19

Очистка воздушного фильтра Стр. 23

видеопроектор VPL-HW65/VPL-HW45

Перед использованием устройства внимательно прочитайте настоящее руководство и сохраните его для получения необходимой информации в будущем.

ПРЕДУПРЕЖДЕНИЕ

Для снижения риска возгорания и поражения электрическим током не допускайте воздействия на аппарат влаги и сырости.

Чтобы исключить риск поражения электрическим током, не вскрывайте корпус.

Обслуживание аппарата должны выполнять только квалифицированные специалисты.

**ПРЕДУПРЕЖДЕНИЕ
ДАННОЕ УСТРОЙСТВО ДОЛЖНО
БЫТЬ ЗАЗЕМЛЕНО.**

ПРЕДУПРЕЖДЕНИЕ

При установке устройства используйте легкодоступный прерыватель питания с фиксированной проводкой или подключите провод питания к легкодоступной настенной розетка, расположенной рядом с устройством. Если в процессе эксплуатации блока возникнет неисправность, с помощью прерывателя отключите питание, или отсоедините провод питания.

ОСТОРОЖНО

Разъем LAN (только для модели VPL-HW65)

В целях обеспечения безопасности не подключайте к этому порту соединительные разъемы электропроводки периферических устройств, которые, возможно, имеют чрезмерно высокое напряжение.

ПРЕДУПРЕЖДЕНИЕ

1. Используйте разрешенные к применению шнуры питания (с 3-жильным силовым проводом) / разъем для подключения бытовых приборов / штепсельную вилку с заземляющими контактами, соответствующие действующим нормам техники безопасности каждой отдельной страны.
2. Используйте шнур питания (с 3-жильным силовым проводом) / разъем для подключения бытовых приборов / штепсельную вилку, соответствующие допустимым номинальным характеристикам (напряжение, сила тока).

В случае вопросов относительно использования упомянутых выше шнура питания / разъема для подключения бытовых приборов / штепсельной вилки, пожалуйста, обращайтесь к квалифицированным специалистам по сервисному обслуживанию.

О 3D-очках

3D-очки взаимодействуют с проектором по технологии Bluetooth для отображения 3D-сигналов.

- a) работающий в диапазоне 2400 - 2483.5 МГц
- b) максимальную выходную мощность 4.30 dBm (E.I.R.P.)

Соблюдайте осторожность при замене/утилизации элементов питания для 3D-очков

При неправильной замене элементов питания возникает опасность взрыва. Используйте для замены только идентичные или эквивалентные элементы питания, рекомендуемые изготовителем.

При утилизации отработанных элементов питания необходимо следовать правилам, действующим в соответствующем регионе или стране.

RU

SONY

Сони Корпорейшн

1-7-1, Конан, Минато-ку, Токио,
Япония, 108-0075

Сделано в Китае

Импортер на территории стран
Таможенного союза

АО «Сони Электроникс», Россия,
123103, Москва, Карамышевский
проезд, 6

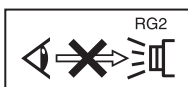
Это устройство является проектором
для проецирования изображений с
подключенного компьютера или
видеооборудования.

Организация, уполномоченная
принимать претензии от
пользователей на территории
Казахстана:

АО «Сони Электроникс»
Представительство в Казахстане
050059 Алматы, улица Иванилова, д. 58

Дата изготовления указана на изделии
и упаковке на этикетке со штрих-
кодом в следующем формате: YYYU-
MM, где MM - месяц, YYYU - год
изготовления.

Это устройство поддерживает
технологии беспроводной связи для
частотного диапазона 2,4 ГГц.



Как и в случае с
любым
источником
яркого света, не
смотрите прямо на
луч, RG2 IEC
62471-5:2015.

Условия хранения:

Хранить в упакованном виде в
темных, сухих, чистых,
вентилируемых помещениях,
изолированными от мест хранения
кислот и щелочей. Хранить при
температуре от -20С до +60С и
относительной влажности не более
<90%, без образования конденсата.
Срок хранения не установлен.

Транспортировать в оригинальной
упаковке, во время транспортировки
не бросать, оберегать от падений,
ударов, не подвергать излишней
вибрации.

Если неисправность не удается
устранить следуя данной инструкции –
обратитесь в ближайший
авторизованный SONY центр по
ремонту и обслуживанию.

Реализацию осуществлять в
соответствии с действующими
требованиями законодательства.
Отслужившее изделие утилизировать
в соответствии с действующими
требованиями законодательства.

Меры предосторожности

Безопасность

- Проверьте, соответствует ли рабочее напряжение вашего устройства напряжению питания местной электрической сети.
- В случае попадания внутрь корпуса каких-либо жидкостей или посторонних предметов отсоедините устройство от электрической сети и обратитесь к квалифицированному персоналу для его проверки перед дальнейшей эксплуатацией.
- Выключите устройство из сетевой розетки, если не планируете использовать его в течение нескольких дней.
- При отключении шнура тяните его за вилку. Никогда не тяните непосредственно за шнур.
- Сетевая розетка должна находиться возле устройства и быть легко доступной.
- Пока устройство подключено к источнику переменного тока, на него по-прежнему подается электропитание, даже если само устройство выключено.
- Не смотрите в объектив проектора при включенной лампе.
- Не подносите руки или предметы к вентиляционным отверстиям. Из них выходит горячий воздух.

О предотвращении внутреннего перегрева

После выключения питания с помощью кнопки I/⏻ (ON/STANDBY) не отключайте устройство от сетевой розетки, пока работает вентилятор.

Осторожно

Данное устройство оборудовано вентиляционными отверстиями (впускными и выпускными). Не блокируйте и не располагайте ничего возле этих отверстий, в противном случае возможен внутренний

перегрев, что приведет к ухудшению изображения или повреждению устройства.

О повторной упаковке

Сохраните оригинальную транспортировочную упаковку, она потребуется при возможной транспортировке устройства. Для максимальной защиты повторно упакуйте устройство так, как оно было упаковано на заводе.

Просмотр видеоизображений 3D

Правила техники безопасности

- 3D-очки можно использовать только для просмотра 3D-видеоизображений.
- Если вы ощущаете мерцание или мигание света, выключите освещение в комнате.
- Запрещается использование детьми без присмотра взрослых.
- Соблюдайте осторожность, чтобы при складывании дужек 3D-очков не прищемить пальцы.
- Не роняйте и не модифицируйте эти 3D-очки.
- Если очки разбились, не допускайте попадания осколков в рот или в глаза.

Жидкокристаллический проектор

ЖК-проектор создан с использованием высокоточных технологий. Однако, на экране ЖК-проектора могут периодически появляться мелкие черные и/или яркие (красные, синие или зеленые) точки. Этот эффект является нормальным результатом производственного процесса и не свидетельствует о неисправности. Кроме того, при использовании для проецирования на один экран нескольких ЖК-проекторов, даже одной модели, цветопередача разных проекторов может отличаться, так как баланс цвета на них может быть настроен по-разному.

О конденсации

При быстром изменении температуры в помещении, в котором установлен проектор, или при быстром перемещении проектора из холодного в теплое место внутри него может образоваться конденсат. Так как конденсат может привести к неисправности, соблюдайте осторожность при изменении настроек температуры кондиционера. При образовании конденсата перед использованием проектора оставьте его включенным приблизительно на два часа.

Примечания о безопасности (только для модели VPL-HW65)

- КОМПАНИЯ SONY НЕ НЕСЕТ ОТВЕТСТВЕННОСТИ ЗА КАКОЙ БЫ ТО НИ БЫЛО УЩЕРЬ, ВОЗНИКШИЙ ВСЛЕДСТВИЕ НЕСОБЛЮДЕНИЯ МЕР ПРЕДОСТОРОЖНОСТИ ПРИ ИСПОЛЬЗОВАНИИ УСТРОЙСТВ ПЕРЕДАЧИ ДАННЫХ, НЕИЗБЕЖНЫХ УТЕЧЕК ИНФОРМАЦИИ, СВЯЗАННЫХ СО СПЕЦИФИКАЦИЯМИ ПЕРЕДАЧИ ДАННЫХ, ИЛИ ПРОБЛЕМ БЕЗОПАСНОСТИ ЛЮБОГО РОДА.
- В зависимости от операционной среды возможен несанкционированный доступ посторонних лиц к устройству. При подключении устройства к сети убедитесь в том, что сеть надежно защищена.
- При использовании устройства, подключенного к сети, в целях безопасности рекомендуется открыть окно управления с помощью веб-браузера и изменить заводские настройки по умолчанию для ограничения доступа (см. раздел “Использование сетевых функций” в документе “Инструкция по эксплуатации”). Кроме того, рекомендуется регулярно менять пароль.

- Во время установки настроек и после ее завершения не заходите на какие-либо веб-сайты через веб-браузер. Поскольку состояние входа сохраняется в браузере, по завершении настроек закройте веб-браузер, чтобы предотвратить несанкционированный доступ посторонних лиц к устройству и воздействие вредоносного программного обеспечения.

Примечание

КОМПАНИЯ SONY НЕ НЕСЕТ ОТВЕТСТВЕННОСТИ ЗА КАКОЙ БЫ ТО НИ БЫЛО УЩЕРЬ, ВЫЗВАННЫЙ ПРИМЕНЕНИЕМ ДАННОГО УСТРОЙСТВА В УСЛОВИЯХ, ОТЛИЧНЫХ ОТ ОБЩЕГО ДОМАШНЕГО ИСПОЛЬЗОВАНИЯ, КАК В ПЕРИОД ДЕЙСТВИЯ ГАРАНТИИ, ТАК И ПОСЛЕ ЕГО ОКОНЧАНИЯ.

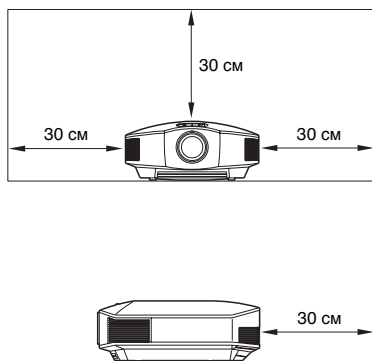
Примечания по установке и эксплуатации

Недопустимые варианты установки

Не размещайте устройство в следующих условиях, которые могут привести к неисправности или повреждению устройства.

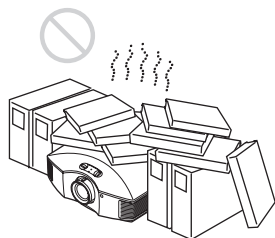
Рядом со стенами

Для обеспечения производительности и надежности устройства оставьте место между стенами и устройством, как показано на рисунке.

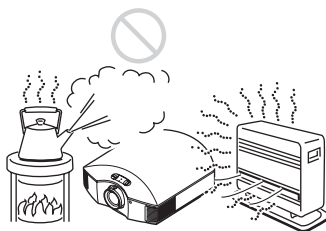


Помещение с плохой вентиляцией

Оставьте вокруг устройства минимальное пространство в 30 см.

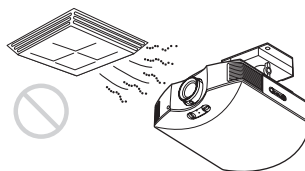


Жаркое и влажное помещение



Помещения, подверженные воздействию потока холодного или теплого воздуха из кондиционера

Установка в таком месте может привести к неисправности устройства вследствие конденсации влаги или повышения температуры.



Рядом с датчиком тепла или дыма

Это может привести к ложному срабатыванию датчика.



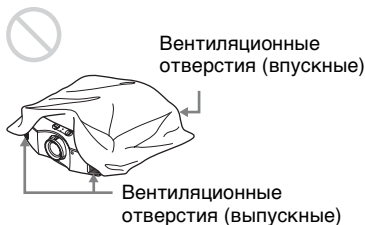
Сильно запыленные или сильно задымленные помещения



Недопустимые условия эксплуатации

При использовании данного устройства запрещается выполнять следующие операции.

Блокировка вентиляционных отверстий (впускные и выпускные)



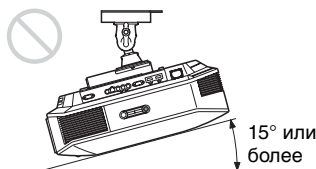
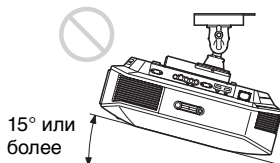
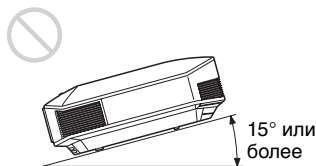
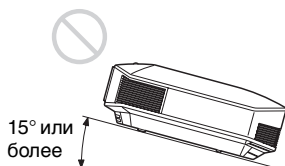
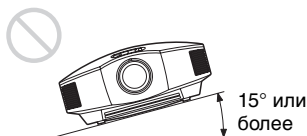
Наклон вперед/назад и вправо/влево

Избегайте использования устройства с наклоном под углом более 15 градусов.

Устанавливайте устройство только на ровной поверхности или на потолке. Установка устройства в таком месте может привести к искажению цветов или снижению надежности работы лампы.

Если устройство наклонено вверх или вниз, изображение на экране может быть трапециевидным.

Расположите устройство таким образом, чтобы объектив находился параллельно экрану.



Установка устройства на большой высоте над уровнем моря

При использовании устройства на высоте 1500 м или выше установите для параметра “Режим выс.пол” в меню “Настройка” значению “Вкл”. Если не установить этот режим при использовании устройства высоко над уровнем моря, это может привести к неблагоприятным последствиям, например к уменьшению надежности некоторых компонентов.

Меры предосторожности при установке устройства на потолке

- Не пытайтесь установить проектор на потолке или переместить его самостоятельно. Обязательно проконсультируйтесь с квалифицированным персоналом компании Sony, компетентным в данном вопросе.
- Устанавливая устройство на потолке, обязательно используйте страховочный шнур или другие средства для предотвращения падения устройства. Доверьте

установку опытному специалисту по монтажу.

Информация для дилеров

- Для установки проектора на потолке необходимо использовать кронштейн производства компании Sony или аналогичное рекомендованное крепление.
- При установке на потолок плотно закрывайте крышку корпуса.

Проверка аксессуаров из комплекта поставки

Проверьте упаковку на наличие следующих элементов.

- Пульт дистанционного управления RM-PJ28 (1)
- Марганцевые батарейки размера AA (R6) (2)
- Кабель переменного тока (1)
- Крышка объектива (1)
При покупке проектора крышка объектива надета на объектив. Для использования проектора снимите крышку объектива.
- Краткое справочное руководство (данное руководство) (1)
- Инструкция по эксплуатации (компакт-диск) (1)

Установка батарей в пульт дистанционного управления



ОСТОРОЖНО

При неправильной замене элементов питания возникает опасность взрыва. Используйте для замены только идентичные или эквивалентные элементы питания, рекомендуемые изготовителем.

При утилизации отработанных элементов питания необходимо следовать правилам, действующим в соответствующем регионе или стране.

Осторожно

К пульту дистанционного управления прилагаются две батареи размера AA (R6).

Чтобы избежать опасности взрыва, используйте марганцевые или щелочные батареи размера AA (R6).

Предупреждение относительно использования пульта дистанционного управления

- Бережно обращайтесь с пультом дистанционного управления. Не бросайте его, не наступайте на него и не проливайте на него никакие жидкости.
- Не оставляйте пульт дистанционного управления вблизи источников тепла или в месте, подверженном прямому воздействию солнечных лучей, или во влажном помещении.

Использование руководства на компакт-диске

Руководство можно открыть с помощью компьютера, на котором установлена программа Adobe Reader. Программу Adobe Reader можно бесплатно скачать с веб-сайта Adobe.

- 1 Откройте файл `index.html` на компакт-диске.

2 Выберите нужное руководство и щелкните по нему.

Примечание

В случае утери или повреждения компакт-диска новый диск можно приобрести у ближайшего дилера Sony или в сервисном центре Sony.

- 1 Расположите устройство так, чтобы объектив находился параллельно экрану.
- 2 После подключения кабеля питания переменного тока к устройству подключите кабель питания переменного тока к сетевой розетке.

Верхняя часть устройства

ON/STANDBY



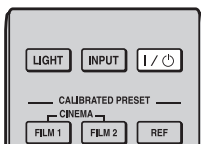
Горит красным цветом.

Примечание

После подключения кабеля переменного тока к устройству индикатор ON/STANDBY может мигать оранжевым.

Управление устройством может быть невозможным, если индикатор мигает, однако это не является неисправностью. Дождитесь, пока индикатор перестанет мигать и начнет гореть красным.

- 3 Нажмите кнопку I/⏻ (ON/STANDBY), чтобы включить устройство.



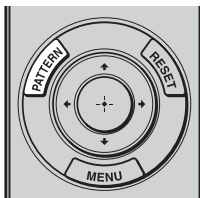
Верхняя часть устройства

ON/STANDBY

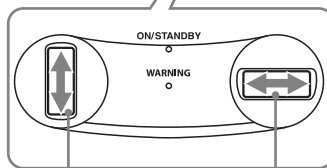
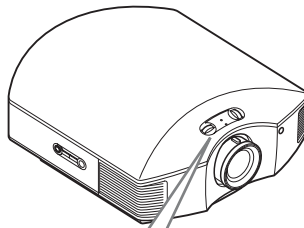


Мигает зеленым некоторое время (десятки секунд), затем горит зеленым.

- 4 Нажмите кнопку PATTERN, чтобы отобразить тестовый сигнал для выполнения регулировок.



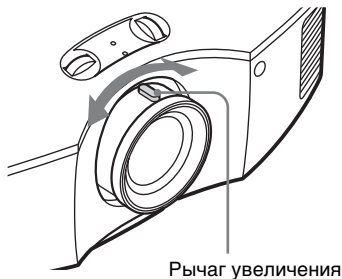
- 1 Перемещайте оба диска сдвига объектива, чтобы отрегулировать положение изображения.



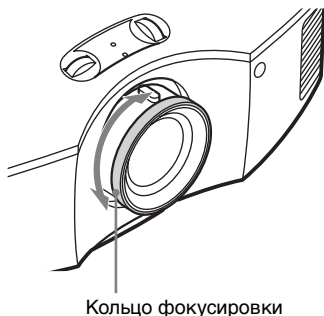
Регулировка вертикального положения

Регулировка горизонтального положения

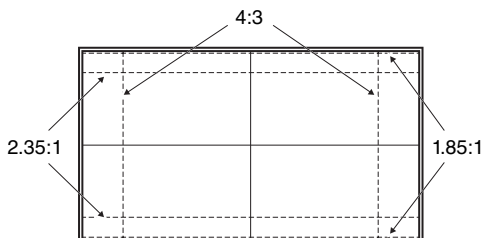
- 2** Отрегулируйте размер изображения с помощью рычага увеличения.



- 3** Отрегулируйте фокус с помощью кольца фокусировки.



Окно регулировки объектива (тестовый образец)

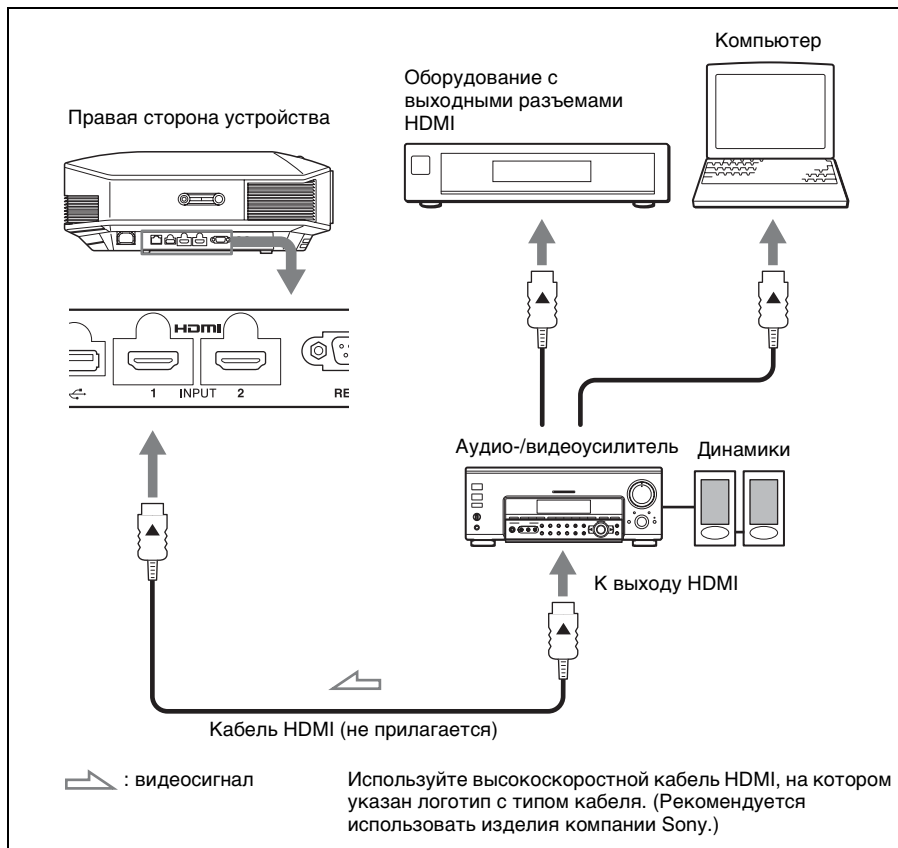


Пунктирные линии указывают на размеры экрана каждого форматного соотношения.

Для получения дополнительной информации см. раздел “Соединения и подготовка” в документе Инструкция по эксплуатации, содержащемся на прилагаемом компакт-диске.

При подключении выполните следующие действия.

- Выключите все оборудование перед выполнением любых подключений.
- Используйте соответствующий кабель для каждого соединения.
- Вставьте штекеры кабеля надлежащим образом; ненадежное соединение штекеров может привести к неисправности или низкому качеству изображения. При отсоединении кабеля тяните за штекер, а не за сам кабель.
- См. инструкции по эксплуатации подключенного оборудования.



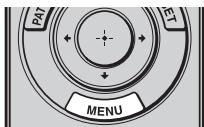
Для получения дополнительной информации см. раздел “Соединения и подготовка” в документе Инструкция по эксплуатации, содержащемся на прилагаемом компакт-диске.

Шаг 4.

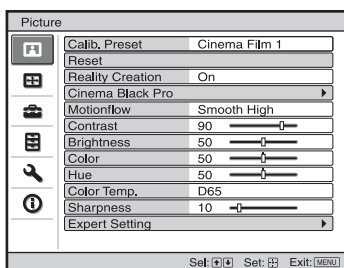
Выбор языка меню

Можно выбрать язык для отображения меню и других экранных индикаторов. По умолчанию установлен английский язык. Для изменения текущего языка меню выберите необходимый язык в экране меню.

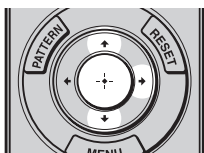
1 Нажмите кнопку MENU.



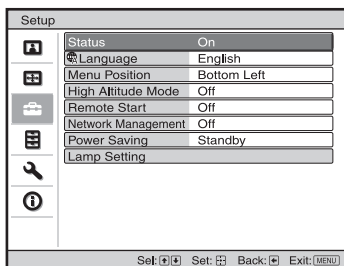
Появится меню.



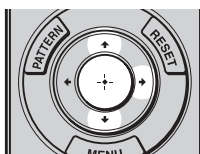
2 Нажмите ↑/↓, чтобы выбрать меню Setup, затем нажмите → или ⏏.



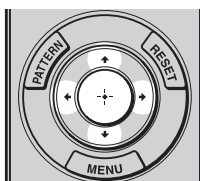
Отобразятся настройки элементов выбранного меню.



3 Нажмите ↑/↓, чтобы выбрать “Language”, затем нажмите → или ⏏.



4 Нажмите ↑/↓/←/→, чтобы выбрать язык, затем нажмите ⏏.



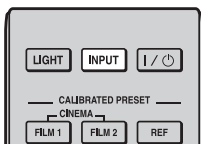
Язык меню изменится на выбранный язык.

Заккрытие меню

Нажмите кнопку MENU.

Проецирование изображения

- 1 Включите устройство и оборудование, подключенное к устройству.
- 2 Нажмите INPUT для отображения панели входа на экране.



- 3 Выберите оборудование, с которого следует отображать изображения.

Нажимайте повторно INPUT или нажмите $\uparrow/\downarrow/(\oplus)$ (ввод) для выбора оборудования, с которого следует выполнять проецирование.



Пример: для просмотра изображения с видеооборудования, подключенного к разъему HDMI 1 данного устройства.

Выключение питания

- 1 Нажмите кнопку I/ON (ON/STANDBY).
На экране отобразится сообщение «ПИТАНИЕ ВЫКЛ?».
- 2 Нажмите кнопку I/ON (ON/STANDBY) еще раз до того, как сообщение исчезнет.
Индикатор ON/STANDBY будет мигать зеленым, а вентилятор продолжать работать для внутреннего охлаждения.

Вентилятор остановится, а индикатор ON/STANDBY изменит состояние, он перестанет мигать зеленым и будет гореть красным.

Питание будет полностью отключено, можно отсоединить кабель питания переменного тока.

Примечание

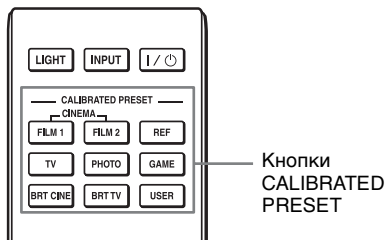
Никогда не отсоединяйте кабель питания переменного тока, когда мигает индикатор.

Можно отключить устройство, удерживая кнопку I/ON (ON/STANDBY) в течение около 1 секунды, не выполняя вышеуказанные действия.

Для получения дополнительной информации см. раздел «Проецирование» в документе «Инструкция по эксплуатации, содержащемся на прилагаемом компакт-диске.

Выбор режима просмотра изображений

Нажмите одну из кнопок CALIBRATED PRESET.



Позиции настроек	Описание
CINEMA FILM 1	Качество изображения, подходящее для воспроизведения высокодинамичных и четких изображений, типичных для позитивов.
CINEMA FILM 2	Качество изображения, подходящее для воспроизведения насыщенных и цветных изображений, типичных для кинотеатров.
REF	Настройка качества изображения, подходящая для воспроизведения достоверного оригинального изображения или отображения качества изображения без каких-либо регулировок.
TV	Качество изображения, подходящее для просмотра телевизионных программ, спортивных мероприятий, концертов и др.
PHOTO	Идеально подходит для проецирования фотоснимков, снятых цифровой камерой.
GAME	Качество изображения, подходящее для игр с хорошо модулированными цветами и малым временем отклика.
BRT CINE	Качество изображения, подходящее для просмотра фильмов в условиях яркого освещения, например в гостиной.
BRT TV	Качество изображения, подходящее для просмотра телевизионных программ, спортивных мероприятий, концертов и других видеозображений в условиях яркого освещения, например в гостиной.
USER	Настройка качества изображения в соответствии с личными предпочтениями и сохранение настройки. Заводская настройка по умолчанию такая же, как и для режима "REF".

Для получения дополнительной информации см. раздел "Проецирование" в документе Инструкция по эксплуатации, содержащемся на прилагаемом компакт-диске.

Устранение ошибок

Предупреждающие индикаторы

Индикатор ON/STANDBY или WARNING загорается или мигает при наличии какой-либо неисправности проектора.



Мигают/горят индикаторы	Число миганий	Вероятная причина и метод устранения
ON/STANDBY ○	Два	Надежно закройте крышку лампы, затем надежно затяните винты. Надежно закройте держатель фильтра.
WARNING ☀️ (Мигает красным)	Три раза	Чрезмерно высокая температура лампы. Выключите питание, дайте лампе остыть, затем снова включите питание. Если симптомы остались, возможно, подходит конец срока службы лампы. В этом случае установите новую лампу.
ON/STANDBY ☀️ (Мигает красным)	Два	Необычно высокая внутренняя температура. Убедитесь, что ничто не блокирует вентиляционные отверстия и устройство не используется высоко над уровнем моря.
WARNING ☀️ (Мигает красным) Оба индикатора мигают	Три раза	Вентилятор вышел из строя. Обратитесь к квалифицированному персоналу Sony.

Примечание

Если начинает мигать предупреждающий индикатор, отличный от вышеуказанных, и симптомы остаются даже после выполнения вышеуказанных действий, обратитесь к квалифицированному персоналу Sony.

При возникновении каких-либо проблем или отображении сообщения об ошибке на экране см. раздел "Поиск и устранение неисправностей" в документе Инструкция по эксплуатации, содержащемся на прилагаемом компакт-диске.

Замена лампы

Потребуются следующие инструменты:

- Лампа проектора LMP-H210 (дополнительная)
- Стандартная крестообразная отвертка
- Ткань (для защиты от царапин)

Лампа, используемая в качестве источника питания, имеет определенный срок службы. Если лампа тускнеет, баланс цвета становится странным или на экране отображается сообщение “Замените, пожалуйста, лампу/фильтр.”, подошел конец срока службы лампы. Незамедлительно замените лампу на новую.

В качестве запасной используйте лампу проектора LMP-H210.

Воздушный фильтр прилагается к лампе проектора LMP-H210. В случае замены лампы необходимо также заменить воздушный фильтр.

При каждой замене лампы обязательно заменяйте воздушный фильтр на новый. Также очистите вентиляционные отверстия (вход).

Совет

Срок службы лампы, используемой в качестве источника света, изменяется в зависимости от среды установки и условий использования. Срок службы лампы можно увеличить, если не выключать лампу в течение нескольких минут после ее включения.

Осторожно

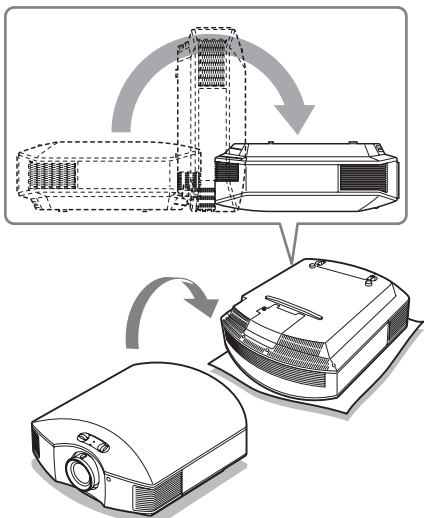
- После выключения устройства с помощью кнопки I/O (ON/STANDBY) лампа остается горячей. Касание лампы может привести к ожогу пальцев. Перед заменой лампы подождите как минимум 1 час, чтобы дать лампе остыть.
- Не прикасайтесь к поверхности лампы. При касании сотрите отпечатки пальцев мягкой тканью.
- Соблюдайте особую осторожность при замене лампы, если устройство установлено на потолке.
- При извлечении лампы удерживайте ее в горизонтальном положении, а затем поднимите прямо вверх. Не наклоняйте лампу. Если во время извлечения лампы под наклоном лампа разобьется, разлетающиеся осколки могут причинить травму.
- При замене воздушного фильтра следите за тем, чтобы в проектор не попала пыль.
- Замена фильтра является крайне важной процедурой для поддержания высокой производительности проектора и предотвращения его неисправности. При появлении предупреждающего сообщения о замене воздушного фильтра замените воздушный фильтр немедленно.

Примечания

- Используйте лампу проектора LMP-H210 для замены. Использование ламп, отличных от LMP-H210, может привести к неисправности устройства.
- Выключите устройство и отсоедините кабель питания перед заменой лампы, затем убедитесь, что индикатор ON/STANDBY не горит.

- 1 Выключите питание проектора и вытащите из розетки вилку кабеля питания переменного тока.

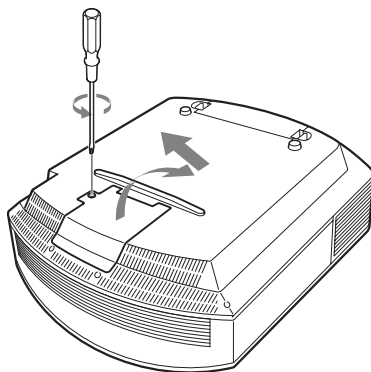
- 2** При установке проектора на плоской поверхности, например на столе и т. д., положите ткань во избежание появления царапин на поверхности. Переверните проектор, как показано на следующем рисунке, и положите его на ткань.



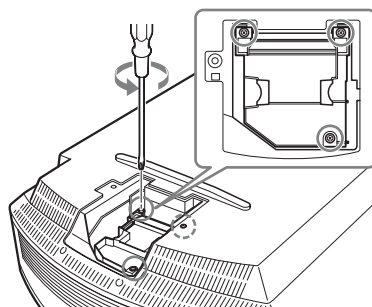
Примечания

- Если лампа повреждена, осколки лампы могут разлететься, если не перевернуть проектор. Это может стать причиной травмы.
- Убедитесь, что проектор расположен на устойчивой поверхности.

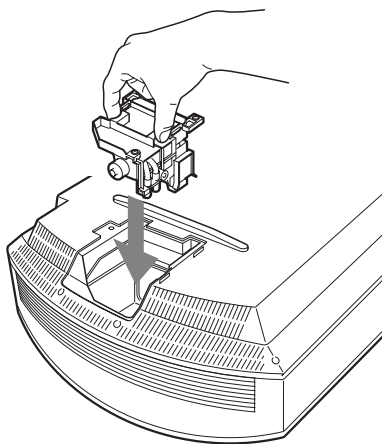
- 3** Ослабьте винт на крышке лампы крестообразной отверткой, затем откройте крышку лампы.



- 4** Ослабьте 3 винта на лампе крестообразной отверткой. Удерживая зажим, извлеките лампу без перекоса.



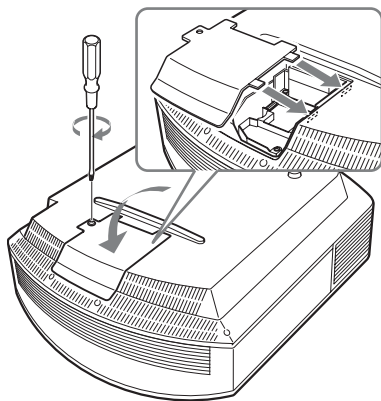
- 5 Удерживая зажим новой лампы, плотно вставьте ее до конца, а затем затяните 3 винта.



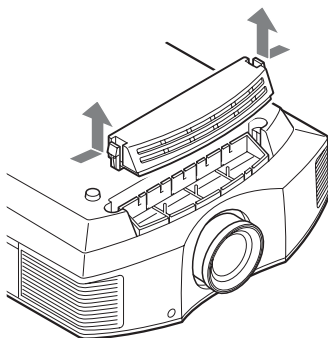
Примечание

Соблюдайте осторожность, не прикасайтесь к оптическому блоку внутри устройства.

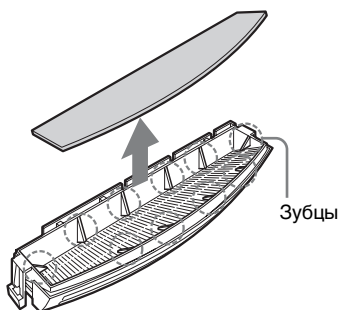
- 6 Закройте крышку лампы, затем затяните винты.



- 7 Снимите держатель фильтра.



- 8 Извлеките воздушный фильтр.



- 9 Установите новый воздушный фильтр так, чтобы он входил во все зубцы (10 положений) на держателе фильтра.

Примечание

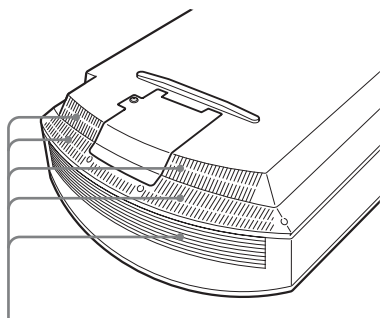
Установите воздушный фильтр, выравнивая его по форме держателя фильтра. Кроме того, не прикасайтесь к вентилятору после извлечения воздушного фильтра, установленного глубоко в проекторе.

- 10 Прикрепите держатель фильтра.

Примечание


Проектор не включится, пока не будет надежно закрыт держатель фильтра.

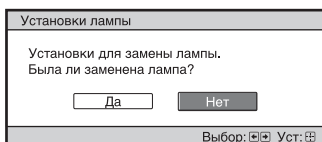
- 11** Сотрите пыль с вентиляционных отверстий (впускные) мягкой тканью.



Вентиляционные отверстия (впускные)

- 12** Верните устройство в его оригинальное положение.

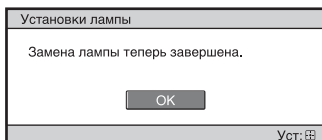
- 13** Включите устройство, затем выберите требуемый элемент настройки лампы в меню **Настройка** . Отобразится следующий экран.



Совет

Если для параметра “Блок. настроек” выбрано значение “Уровень В”, установите значение “Выкл” один раз.

- 14** Выберите “Да”.



Осторожно

Не засовывайте руки внутрь паз, служащего для замены лампы, и не допускайте попадания в паз жидкостей или инородных предметов, чтобы исключить риск возгорания и поражения электрическим током.

Примечания

- Устройство не включится, пока лампа не будет надежно установлена.
- Устройство не включится, пока не будет надежно закрыта крышка лампы.
- Для удаления сообщения, отображаемого на экране, однократно нажмите любую кнопку на пульте дистанционного управления или на панели управления устройства.

Примечание

Лампа содержит ртуть. Правила утилизации использованных люминесцентных ламп зависят от места проживания. Следуйте политике утилизации отходов, применяемой в области проживания.

Очистка воздушного фильтра

При появлении на экране сообщения “Очистите, пожалуйста, фильтр.” необходимо очистить воздушный фильтр.

Воздушный фильтр следует очищать каждые 1500 часов. Это значение зависит от окружающей среды и способа эксплуатации проектора. 1500 часов - приблизительная цифра.

После промывки слабым раствором очищающего средства высушите воздушный фильтр в затемненном месте.

Примечания

- При очистке воздушного фильтра постарайтесь его не повредить. Для получения дополнительной информации об установке и извлечении воздушного фильтра см. раздел “Замена лампы”, шаги 7–10 (стр. 21).
- При замене воздушного фильтра следите за тем, чтобы в проектор не попала пыль.
- Очистка фильтра является крайне важной процедурой для поддержания высокой производительности проектора и предотвращения его неисправности. При появлении предупреждающего сообщения об очистке воздушного фильтра очистите воздушный фильтр немедленно.

關於快速參考手冊

本快速參考手冊說明用於投射畫面的安裝與基本操作，並說明處理與使用本裝置時，您必須留心的重要事項與注意事項。

必要時請參閱“警告指示燈”、“更換投影燈”，以及“清潔濾網”。

關於操作的詳細資料，請參閱隨附 CD-ROM 中的操作說明。

步驟 1

準備 第 8 頁

步驟 2

安裝本機 第 9 頁

步驟 3

連接裝置 第 11 頁

步驟 4

選擇選單語言 第 12 頁

步驟 5

投影 第 13 頁

錯誤狀況的處理 警告指示燈 第 15 頁

維護 更換投影燈 第 16 頁

清潔濾網 第 19 頁

在開始操作本裝置之前，請先仔細閱讀本手冊，並保留本手冊以供日後參考。

警告

若要避免起火或電擊危險，請勿將本機器曝露在雨中或潮濕環境中。為避免觸電，切勿擅自打開機殼檢修，必須找合格人員為您服務。

警告

此設備必須接地線。

警告

當安裝本裝置時，請在固定線路中配置一個可方便使用的斷電裝置，或將電源插頭連接至靠近裝置且可方便使用的電源插座。如果在裝置運作期間發生故障，請操作斷電裝置以便將電源關閉，或拔下電源插頭。

注意事項

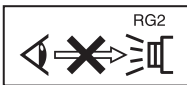
關於 LAN 接頭（限 VPL-HW65）

基於安全，如果周邊裝置連線可能具有極高的電壓，則不可將周邊裝置接頭連接至此連接埠。

警告

1. 使用符合各國適行安全法規的核准電源線（3 接腳）/ 設備接頭 / 具接地接頭的插頭。
2. 使用符合正確電壓（電壓、安培）的電源線（3 接腳）/ 設備接頭 / 插頭。

如果您對使用上述電源線 / 設備接頭 / 插頭有任何問題，請洽詢合格的維修人員。



與任何明亮的光源一樣，請勿直視光束，RG2 IEC 62471-5:2015。

第十二條

經型式認證合格之低功率射頻電機，非經許可，公司、商號或使用者均不得擅自變更頻率、加大功率或變更原設計之特性及功能。

第十四條

低功率射頻電機之使用不得影響飛航安全及干擾合法通信；經發現有干擾現象時，應立即停用，並改善至無干擾時方得繼續使用。

前項合法通信，指依電信法規定作業之無線電通信。

低功率射頻電機須忍受合法通信或工業、科學及醫療用電波輻射性電機設備之干擾。

更換 / 棄置 3D 眼鏡電池的注意事項

若電池更換不正確，可能引起爆炸。僅能使用製造商建議的相同或同類型電池進行更換。

當您棄置電池時，必須遵循當地或所在國家的法律規定。



廢電池請回收

設備名稱：家庭劇院投影機						
單元	限用物質及其化學符號					
	鉛 (Pb)	汞 (Hg)	鎘 (Cd)	六價鉻 (Cr ⁺⁶)	多溴聯苯 (PBB)	多溴二苯醚 (PBDE)
印刷電路板	—	○	○	○	○	○
外殼	—	○	○	○	○	○
光學組件	—	—	○	○	○	○
附配件	—	○	○	○	○	○
備考 1. “○” 係指該項限用物質之百分比含量未超出百分比含量基準值。						
備考 2. “—” 係指該項限用物質為排除項目。						

T4-16

注意事項

關於安全

- 確定本機的操作電壓與您當地的供電電壓相同。
- 若有任何液體或固體滲入或掉入機殼中，請拔下本機插頭，並請合格人員檢查，然後才可繼續使用。
- 如果打算幾天不使用本機，請將本機的插頭從牆上插座拔下。
- 若要拔掉電源線，請抓住插頭拔出。切勿拉扯電源線本身。
- 牆上插座必須靠近本機並易於插拔。
- 只要本機的電源線仍連接在牆壁電源插座上，即使本機的電源已經關閉，但本機仍然未與交流電源斷開連接。
- 投影燈開啟時請勿直視鏡頭。
- 請勿將手或物體置於通風孔附近。排氣溫度高。

關於防止內部積熱

使用 I/⏻ (ON/STANDBY) 按鈕關閉電源後，請勿在冷卻風扇仍運轉時斷開本機與牆上電源插座的連接。

注意

本機配備通風孔（進氣與排氣）。請勿阻塞通風孔或是在附近放置任何物品，以免內部過熱，造成畫質變差或本機受損。

關於重新包裝

請保存原先的外箱和包裝材料；當您需要運送本機時將十分便利。為了獲得最大保護，請依照原廠包裝方式重新包裝本機。

關於觀看 3D 視訊影像

安全注意事項

- 觀看 3D 視訊影像時，只能使用 3D 眼鏡。
- 若您發現跳動或閃爍的情形，請關閉室內照明。
- 沒有成人適當監督下的兒童不可使用本產品。
- 在彎折鏡框時，請小心不要使 3D 眼鏡的轉軸夾到手指。
- 請勿改裝 3D 眼鏡或使其掉落。
- 如果眼鏡破碎，請讓嘴巴或眼睛避開碎片。

關於 LCD 投影機

LCD 投影機採用高精度技術製造。不過，您可能會發現細小的黑點和 / 或亮點（紅色、藍色或綠色）一直出現在 LCD 投影機上。這是製造過程的正常結果，並不是故障。

此外，當您使用多個 LCD 投影機投射到螢幕上時，即使其型號相同，這些投影機之間的色彩重現可能不同，因為每台投影機的色彩平衡設定可能不同。

關於凝結

如果安裝投影機的地方室內溫度快速改變，或是將投影機從寒冷的地方突然移至溫暖的地方，投影機內可能會產生凝結。由於凝結可能造成故障，因此請小心調整空調機的溫度設定。如果產生凝結，讓投影機電源打開擱置約兩小時後再使用。

關於安全的注意事項（限 VPL-HW65）

- 由於未針對傳輸裝置採取適當的安全措施，因傳輸規格造成無法避免的資料洩漏，或是任何安全問題所導致的任何損壞，SONY 恕不負責。
- 視操作環境而定，網路上未經授權的第三方可能可以存取本機。連接本機至網路時，請確定確認網路受到安全防護。
- 為了安全考量，使用連接網路的本機時，強烈建議透過網頁瀏覽器存取控制視窗，並變更原廠預設值的存取限制設定（請參閱操作說明中的“使用網路功能”）。也建議定期變更密碼。
- 在進行設定期間或進行設定之後，請勿在網頁瀏覽器中瀏覽任何其他網站。由於仍在網頁瀏覽器中維持登入狀態，完成設定時請關閉網頁瀏覽器，以防止未經授權的第三方使用本機或是有害程式運作。

註

無論在保固期內外，對於將本機用於非一般家庭使用所導致的任何損壞，SONY 恕不負責。

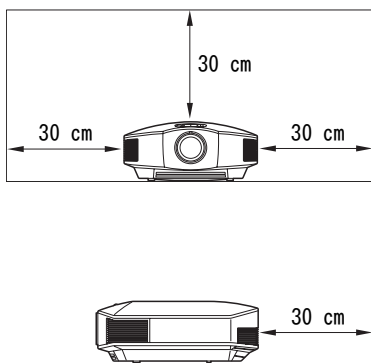
關於安裝和使用的注意事項

不適合的安裝

在下列情況下請勿放置本機，以免造成本機故障或損壞。

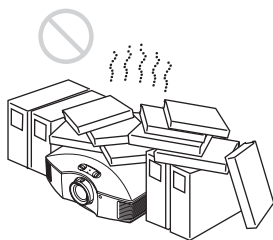
靠近牆壁

為保持本裝置的性能與可靠度，請在裝置與牆壁之間留下空間，如圖所示。

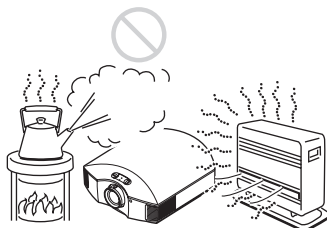


通風不良的地方

在本機周圍留下 30 cm 以上的空間。

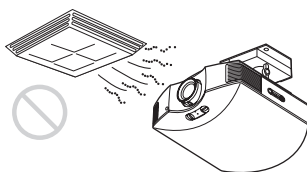


高溫和潮濕



會遭受空調機直接冷風或暖風吹到的位置

將本裝置安裝於這種位置，可能會因為濕氣凝結或溫度上升而導致裝置故障。



靠近熱量或煙霧偵測器

偵測器可能會故障。



多塵和多煙的地方



不適合的條件

使用本機時，切勿進行以下任何一項操作。

阻塞通風孔（進氣或排氣）



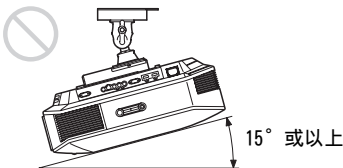
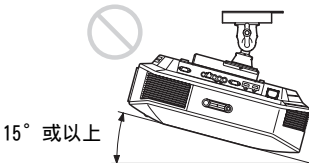
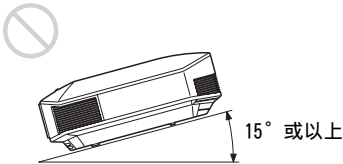
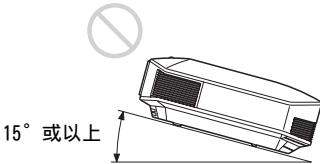
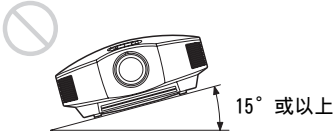
前 / 後和左 / 右傾斜

請避免以超過 15 度的傾斜角度來使用本裝置。


請勿將本裝置安裝於水平表面或天花板之外的任何位置。將本裝置安裝於那些位置可能造成色彩不一致，或降低投影燈的效果可靠度。

如果本裝置向上或向下傾斜，螢幕上的影像可能會變成梯形。

本裝置的放置方式要使鏡頭與螢幕平行。



在高地安裝本機時

在 1500 m 或更高的海拔使用本機時，將設置  選單上的“高海拔高度模式”設定為“開”。在高地使用本機時，若未設定此模式，可能會造成不良影響，例如降低某些元件的可靠性。

將本機安裝在天花板上的安全注意事項

- 切勿自行將投影機安裝在天花板上或搬運投影機。務必洽詢合格的 Sony 人員（需付費）。
- 將本機安裝在天花板上時，務必使用安全鋼索線等以防止本機掉落。請將安裝工作委託給有經驗的承包商或安裝人員。

對於經銷商

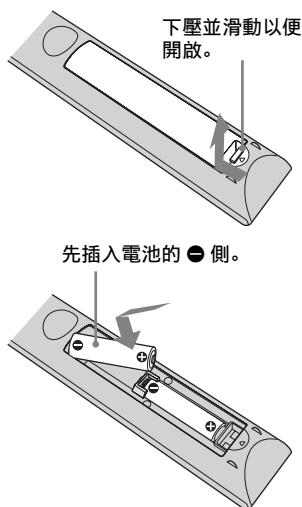
- 將投影機安裝在天花板上時，必須使用 Sony 支架或建議的同等支架進行安裝。
- 牢牢安裝到天花板時，務必牢牢固定機殼蓋。

檢查隨附配件

請檢查包裝箱，確定含有下列物品：

- 遙控器 RM-PJ28 (1)
 - AA (R6) 錳電池 (2)
 - AC 電源線 (1)
 - 鏡頭蓋 (1)
- 您購買投影機時，鏡頭蓋裝在鏡頭上。
使用投影機時請取下鏡頭蓋。
- 快速參考手冊（本手冊）(1)
 - 操作說明（CD-ROM）(1)

將電池插入遙控器內



注意事項

如果更換的電池不正確，會有爆炸的危險。

僅使用製造商建議的同一種或相當類型的電池進行更換。

當您棄置電池時，必須遵循當地或所在國家的法律規定。

注意

遙控器需使用兩顆 AA (R6) 電池。
為避免爆炸風險，請使用 AA (R6) 大小的錳或鹼性電池。

處理遙控器時的注意事項

- 請小心握持遙控器。請勿讓它掉落或遭到踩踏，或噴濺到任何液體。
- 請勿將遙控器置於靠近熱源或遭受直接日照之處，或潮濕的房間內。

使用 CD-ROM 手冊

您可使用電腦上所安裝的 Adobe Reader 閱讀手冊。

您可免費從 Adobe 網站下載 Adobe Reader。

1 開啟 CD-ROM 中的 index.html 檔案。

2 選擇並按一下希望閱讀的手冊。

注意

若您遺失或損壞 CD-ROM，可向 Sony 經銷商或 Sony 服務櫃台購買新品。

步驟 2

安裝本機

- 1 放置本機時，要使鏡頭與螢幕平行。
- 2 將交流電源線連接至本機後，將交流電源線插入牆壁電源插座。

本裝置頂端

ON/STANDBY

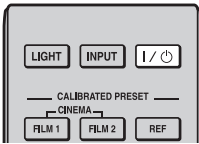


亮起紅燈。

註

將 AC 電源線連接本裝置之後，ON/STANDBY 指示燈可能閃爍橙色。指示燈正在閃爍時可能無法控制本裝置，但這不是故障。請等到指示燈停止閃爍並穩定亮紅色。

- 3 按下 I/⏻ (ON/STANDBY) 按鈕開啟本機。



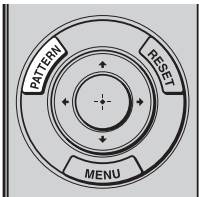
本裝置頂端

ON/STANDBY

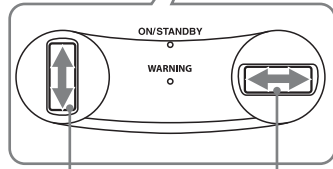
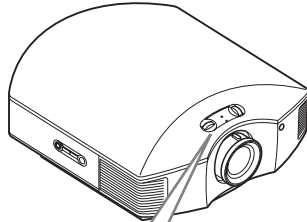


閃爍綠燈一段時間（數十秒），然後亮起綠燈。

- 4 按下 PATTERN 按鈕會顯示測試訊號，以進行調整。



- 1 移動兩個鏡頭移位撥盤以調整影像位置。



調整垂直位置

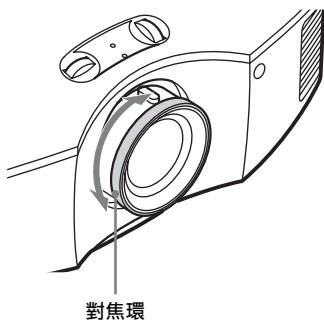
調整水平位置

- 2 使用縮放控制桿調整影像尺寸。

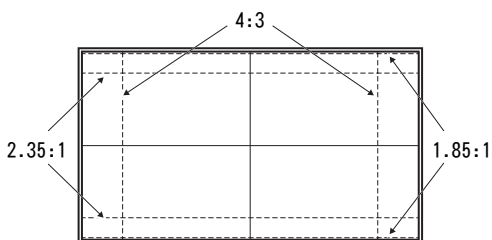


縮放控制桿

③ 使用對焦環調整對焦。



鏡頭調整窗口（測試模式）



虛線顯示各長寬比的螢幕尺寸。

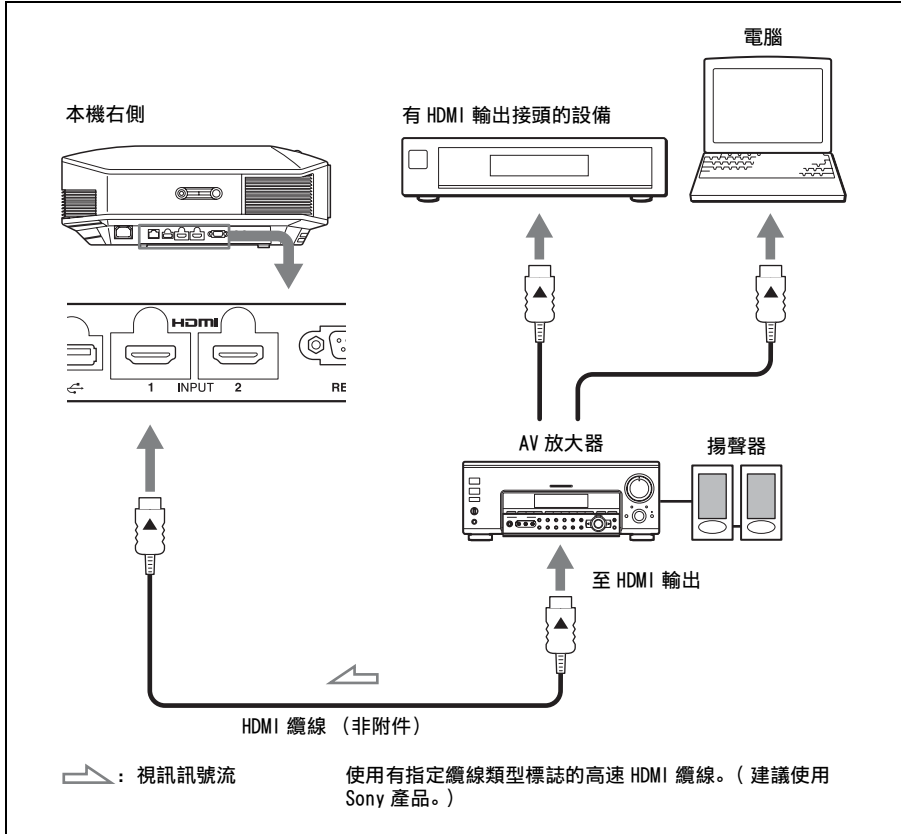
如需詳細資訊，請參閱隨附 CD-ROM 內操作說明中的“連接和準備”。

步驟 3

連接裝置

進行連接時，務必執行以下操作：

- 進行任何連接之前，關閉所有設備。
- 為每個連接使用適當的纜線。
- 正確插入纜線插頭；插頭處連接不良可能會造成故障或影像品質差。拉出纜線時，務必從插頭拉出，而不是拉纜線本身。
- 請參閱相連設備的使用說明書。



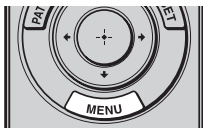
如需詳細資訊，請參閱隨附 CD-ROM 內操作說明中的“連接和準備”。

步驟 4

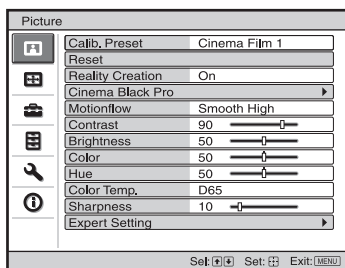
選擇選單語言

您可選擇用於顯示選單與其他螢幕顯示所用的語言。出廠預設為英文。若要變更目前選單語言，請以選單畫面設定所要的語言。

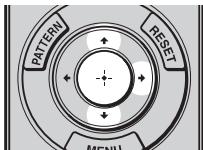
1 按下 MENU。



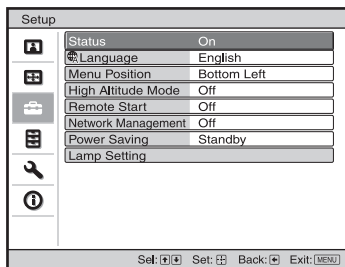
顯示選單。



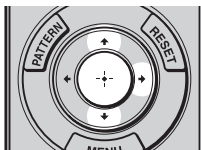
2 按下 ↑/↓ 以選擇 Setup 選單，然後按下 → 或 Ⓢ。



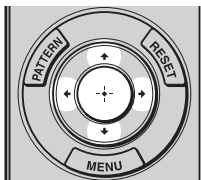
顯示所選選單的設定項目。



3 按下 ↑/↓ 以選擇 “Language”，然後按下 → 或 Ⓢ。



4 按下 ↑/↓/←/→ 選擇語言，然後按下 Ⓢ。

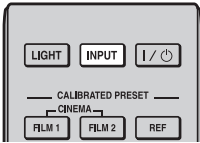


選單變更為所選語言。

若要清除選單
按下 MENU。

投影影像

- 1 開啟本機和連接本機的設備。
- 2 按下 INPUT 在螢幕上顯示輸入面板。



- 3 選擇要顯示影像的設備。
反覆按 INPUT 或按 $\uparrow/\downarrow/\oplus$ (輸入) 選擇要投影的設備。



範例：檢視本機 HDMI 1 接頭所連接視訊設備中的影像。

關閉電源

- 1 按 I/⏻ (ON/STANDBY) 按鈕。
螢幕上出現“斷電？”訊息。
- 2 此訊息消失前再次按下 I/⏻ (ON/STANDBY) 按鈕。
ON/STANDBY 指示燈閃爍綠燈，且風扇持續運轉以減少內部熱量。

風扇停止，且 ON/STANDBY 指示燈從閃爍綠燈變成恆亮紅燈。

電源完全關閉，然後您可以斷開交流電源線的連接。

註

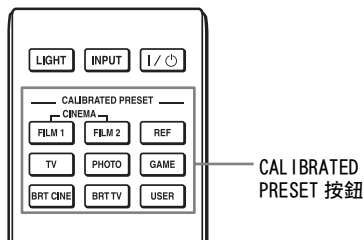
切勿在指示燈閃爍時斷開交流電源線的連接。

若不執行上述步驟，按住 I/⏻ (ON/STANDBY) 按鈕約 1 秒也可關閉本機。

如需詳細資訊，請參閱隨附 CD-ROM 內操作說明中的“投影”。

選擇影像觀看模式

按 CALIBRATED PRESET 按鈕之一。



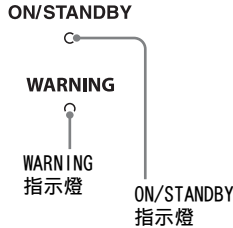
設定項目	說明
CINEMA FILM 1	這種影像品質適用於再現主要正片的高度動態和清晰的影像。
CINEMA FILM 2	這種影像品質適用於基於為 FILM 1 變更的色調再現電影院典型的豐富色調和色彩。
REF	這種影像品質設定適用於忠實再現原始影像品質，或適用於欣賞不經任何調整的影像品質。
TV	這種影像品質適用於觀看電視節目、體育運動、音樂會和其他視訊影像。
PHOTO	非常適用於投影用數位相機拍攝的靜態影像。
GAME	這種影像品質適用於玩遊戲，具有非常柔和的色彩且反應速度快。
BRT CINE	這種影像品質適用於在客廳等明亮的環境中觀看電影。
BRT TV	這種影像品質適用於在客廳等明亮的環境中觀看電視節目、體育運動、音樂會和其他視訊影像。
USER	調整影像品質以滿足您的需求，然後儲存設定。原廠預設設定與“REF”相同。

如需詳細資訊，請參閱隨附 CD-ROM 內操作說明中的“投影”。

錯誤狀況的處理

警告指示燈

如果投影機出現任何故障，ON/STANDBY 或 WARNING 指示燈會亮起或閃爍。



指示燈閃爍 / 亮起	閃爍次數	原因和解決方法
ON/STANDBY ○	兩次	關好照明燈蓋，然後旋緊螺絲。 關緊濾網架。
WARNING ☀ (閃爍紅燈)	三次	照明燈溫度異常高。關閉電源，等待照明燈冷卻，然後再次開啟電源。 如果症狀仍然存在，照明燈的使用壽命可能已結束。在此情況下，請更換新的照明燈。
ON/STANDBY ☀ (閃爍紅燈)	兩次	內部溫度異常高。檢查以確保通風孔未阻塞，或者是否在高海拔地區使用本機。
WARNING ☀ (閃爍紅燈) 兩個指示燈均閃爍	三次	風扇損壞。請洽詢合格的 Sony 人員。

註

如果非上述警告指示燈開始閃爍，且在採取上述方法後症狀仍然存在，請洽詢合格的 Sony 人員。

若有任何問題或畫面上顯示錯誤訊息，請參閱隨附 CD-ROM 內操作說明中的“故障排除”。

更換投影燈

操作所需工具：

- 投影機照明燈 LMP-H210（選購）
- 標準十字螺絲起子
- 布（防刮傷）

用作光源的照明燈具有特定的使用壽命。照明燈變暗、影像的色彩平衡變奇怪，或是螢幕上出現“請更換照明燈 / 濾光器。”時，照明燈可能已到達使用壽命。請立即更換新的照明燈。

使用 LMP-H210 投影機照明燈當成替換照明燈。

LMP-H210 投影機照明燈隨附濾網。更換照明燈時，也應更換濾網。

每次更換照明燈時，務必更換新的濾網。並請清潔通風孔（進氣）。

提示

用作光源的照明燈使用壽命因安裝環境或使用情況而異。避免在開啟照明燈後過數分鐘才關閉照明燈，這樣可以延長照明燈的使用壽命。

注意

- 用 I/⏻（ON/STANDBY）按鈕關閉本機後，照明燈仍熱燙。如果您觸碰照明燈，可能會燙傷手指。更換照明燈時，請等待至少 1 小時，讓照明燈冷卻。
- 請勿觸碰照明燈表面。如果觸碰，請用軟布擦掉指紋。
- 若本機安裝在天花板上，更換照明燈要特別小心。
- 取下照明燈具時，務必保持水平，然後筆直向上拉。請勿傾斜照明燈具。如果您在照明燈具傾斜的狀態將其拉出，若照明燈破裂，碎片可能散射，造成人身受傷。
- 取出濾網時，小心不要讓任何灰塵掉入投影機。
- 更換濾網是保持投影機性能良好或防止故障的關鍵。出現更換濾網的警告訊息時，請立即更換濾網。

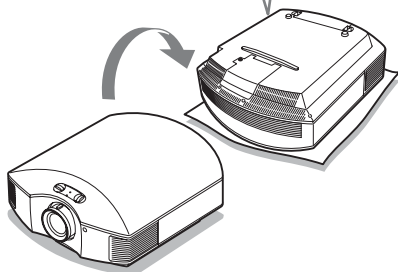
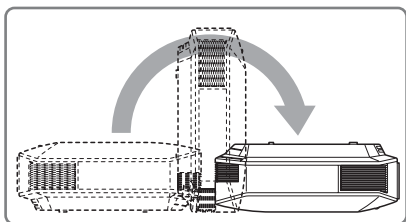
註

- 務必使用 LMP-H210 投影機照明燈進行更換。如果您使用 LMP-H210 以外的照明燈，本機可能會故障。

- 更換照明燈前，務必關閉本機並拔下電源線，然後確定 ON/STANDBY 指示燈已關閉。

1 關閉投影機，然後拔下交流電源線。

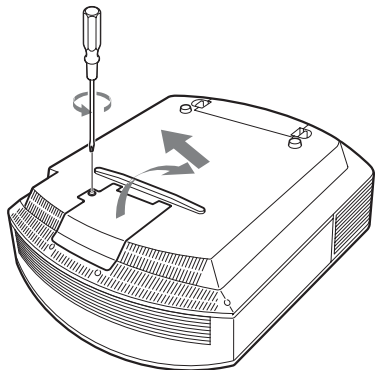
2 在桌子等平面上設置投影機時，請放一塊布，以免刮傷表面。如圖所示反轉投影機，然後放在布上。



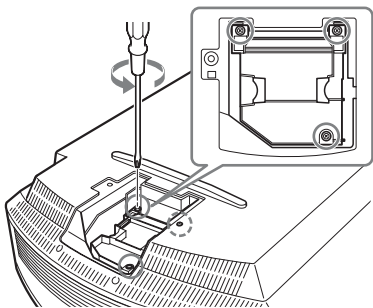
註

- 如果您沒有反轉投影機，照明燈損壞時，照明燈碎片可能會散射。這樣可能會造成人身傷害。
- 確定投影機放置在穩定的表面上。

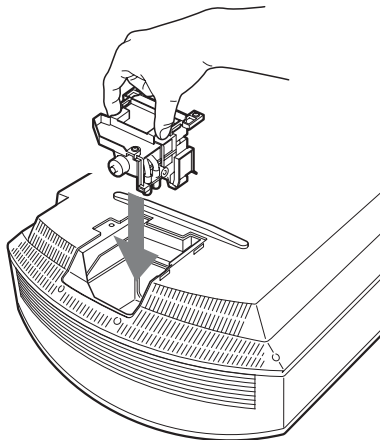
- 3** 用十字螺絲起子旋鬆照明燈蓋上的螺絲，然後打開照明燈蓋。



- 4** 用十字螺絲起子旋鬆照明燈上的 3 個螺絲。抬起把手，然後將照明燈筆直拉出。



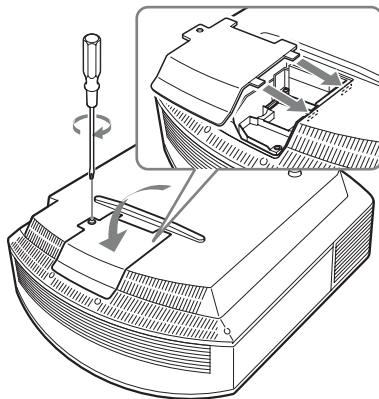
- 5** 握持新照明燈的把手，牢牢推入到底，然後旋緊 3 個螺絲。



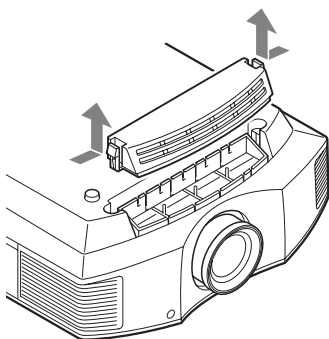
註

小心不要觸碰本機內部的光學區塊。

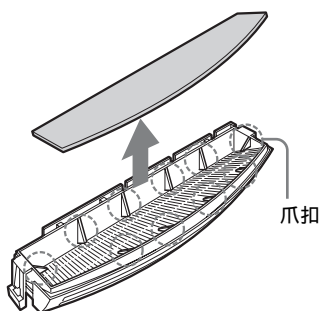
- 6** 關閉照明燈蓋，然後旋緊螺絲。



7 取下濾網架。



8 取下濾網。



9 安裝新濾網，將其扣入濾網架上的各個爪扣（10 個位置）。

註

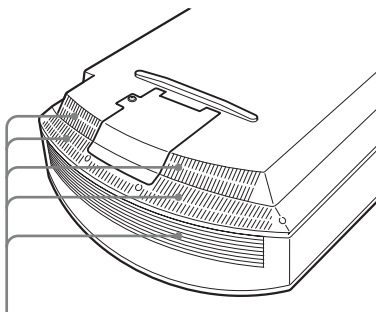
將濾網對準濾網架的形狀以安裝。此外，取出設置在投影機內部深處的濾網後，請勿觸碰風扇。

10 安裝濾網架。

註

除非濾網架已關緊，否則投影機無法開啟。

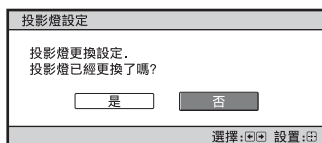
11 用軟布擦掉通風孔（進氣）上的灰塵。



通風孔（進氣）

12 將本機放回原位。

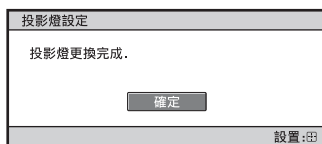
13 開啟本機，然後選擇設置 選單上的照明燈設定項目。將出現以下選單畫面。



提示

如果“設定鎖定”設定為“等級 B”，請設定為“關”。

14 選擇“是”。



注意

請勿將手放在照明燈更換插槽內，而且請勿讓任何液體或其他物體進入插槽，以免發生觸電或火災。

註

- 除非照明燈已安裝就位，否則本機無法開啟。
- 除非照明燈蓋已關緊，否則本機無法開啟。
- 若要清除螢幕上顯示的訊息，請按一下遙控器或本機控制面板上的任何按鈕。

註

照明燈含水銀。使用過的螢光燈管的處理規則視您的居住地而異。請依照您所在地區的廢棄物處理政策。

清潔濾網

螢幕上出現“請清潔濾光器。”時，應清潔濾網。

每 1500 小時應清潔一次濾網。此數值因環境或投影機的使用方式而異。1500 小時是預估值。

用中性清潔劑溶液清洗濾網後，在陰涼處晾乾。

註

- 清潔濾網時，小心不要使其受損。有關如何安裝與取下濾網的詳細資訊，請參閱“更換投影燈”步驟 7 至 10（第 18 頁）。
- 取出濾網時，小心不要讓任何灰塵掉入投影機。
- 清潔濾網是保持投影機性能良好或防止故障的關鍵。出現清潔濾網的警告訊息時，請立即清潔濾網。

