

# ARNIKA

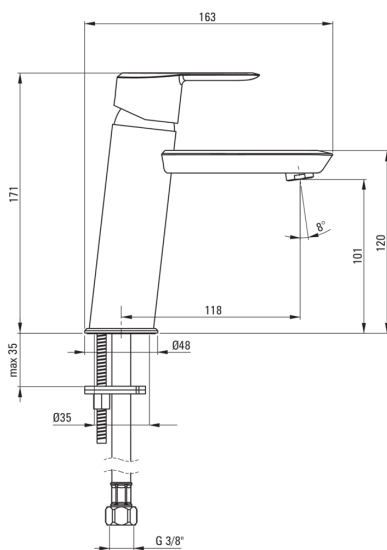
## Washbasin tap

Product code: BQA\_021M

EAN: 5908212053249

Color: silver

Warranty [years]: 7



### Mixer

Finish	chrome
Mixer type	single-handle, mixer
Installation method	standing
Total mixer height [mm]	171
Flow class [l/min]	Z ≤ 9 (4 - 9)
Acoustic group [db]	I (x ≤ 20)
Plug included in the set	Yes

### Mixer cartridge

Ceramic cartridge size	35 mm
------------------------	-------

### Spouts

Spout type	still
Mixer spout range [mm]	118
Material	brass

### Aerators

Aerator type	silicone
Water flow reduction	missing

### Connecting hoses

Length [mm]	450
Installation thread	3/8"
Connection thread	M10

### Plug

Type	click-clack
Type	with overflow

### Features:

- The mixer body is made of the highest quality brass
- The mixer is equipped with a stream aerator
- Silicone aerator for easy removal of limescale
- 45 cm connection hoses included
- Z flow class (4-9 l/min) allowing for water consumption reduction
- Functional click-clack plug included
- Dedicated cleaning agent, safe for cleaned surfaces