



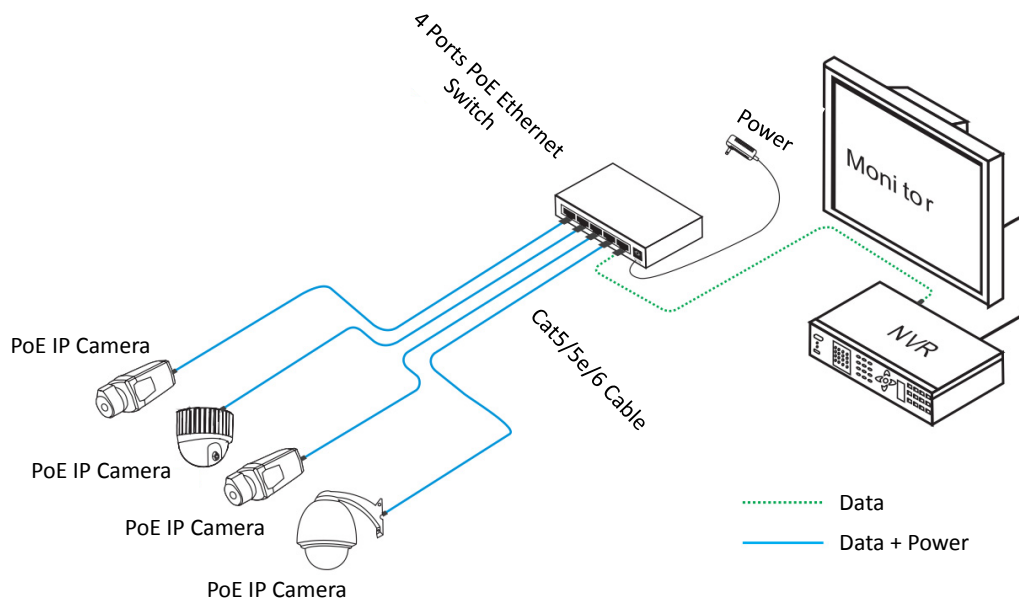
8-Port Gigabit Ethernet PoE 10" rack-mount Switch



Manual DN-95317

Product Description:

The DIGITUS Gigabit Ethernet PoE Switch with eight Power over Ethernet ports, offers your network significant improvement in terms of performance and efficiency. Thanks to PoE support, you only need a single (network) cable for power and data transfer. This switch makes it much easier to connect devices such as access points, network cameras, and IP telephones, and requires far less cabling than alternatives. It also allows you to extend your network in places where there are no power supply cables or sockets available. The switch does not require any configuration and therefore guarantees quick and seamless integration into the network. Moreover, the fanless design of the Switch ensures soundless operation, which makes this device the perfect solution for office environments and meeting rooms.



Product Features:

- 8-Port 10/100/1000 Mbps PoE Gigabit Desktop Switch
- Ethernet IEEE802.3/802.3u/802.3x/802.3ab/IEEE802.3 af/at
- Power over Ethernet (PoE) - You only need one cable for power and data transfer
- PoE power budget: 96 Watts (one to eight ports)
- Supports PoE: Provides 8 PoE Port, each port output 30W maximum power
- No configuration necessary
- Maximum power output: 96 Watts
- Status LEDs on each port
- Pin Feet: V- (RJ45 Pin 1, 2) V+ (RJ45 Pin 3, 6)
- Circuit isolation protection
- Backplane: 16Gbps
- MAC address table: 8K
- Dimensions (L x W x H): 250 mm x 150mm x 42 mm
- Weight: 1000 g
- Color: Black

Package Content:

- 8-Port Gigabit Switch
- Manual
- AC Power cable

Product Specifications:

Item	Description
Summarize	
Fixed port	8x 10/100/1000Base-TX ports
LED Indicators	PWR, PoE, Link/Act LED
Input voltage	100V~240V AC, 50/60Hz (for power adapter) 48VDC (for switch)
Network Media	10BASE-TX: UTP category 5, 5e cable 100BASE-TX: UTP category 5, 5e cable 1000BASE-TX: UTP category 5, 5e cable
Forwarding Rate	10BASE-T: 14880pps/port 100BASE-TX: 148800pps/port 1000BASE-TX: 1488000pps/port
Power Supplies	96W
Operating temperature	0°C ~ 40°C
Storage temperature	-10°C ~ 70°C
Relative humidity	20% ~ 85% (non-condensing)
Thermal methods	Fanless
Switching capacity	16G
MAC address table	8K
Weight	<2 Kg
PoE	
PoE port	8 10/100/1000Base-TX ports All 8 PoE ports
PoE Standard	IEEE802.3af, IEEE802.3at, per port 15.4W, max 30W
Pin assignment	V - (RJ45 Pin1, 2), V+ (RJ45 Pin 3, 6)

Hardware Description:

■ The Front Panel

The front panel consists of LED Indications.

■ LED Indicators

Per Device: Power

Per Port: LINK/ACT (Link/Activity)

Per PoE Port: PoE

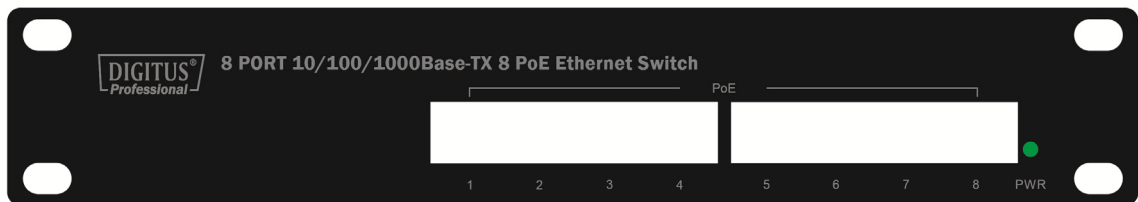


Figure 1. Front Panel view

LED	Status	Color	Description
Power	On	Green	The switch is supplied with suitable power.
LINK/ACT	On	Green	The port is connecting.
	Blinks	-	The port is receiving or transmitting data.
	Off	-	The port is not linked successfully with the device.
PoE	On	Green	PD is connected
	Off	-	No PD is connected or power forwarding fails

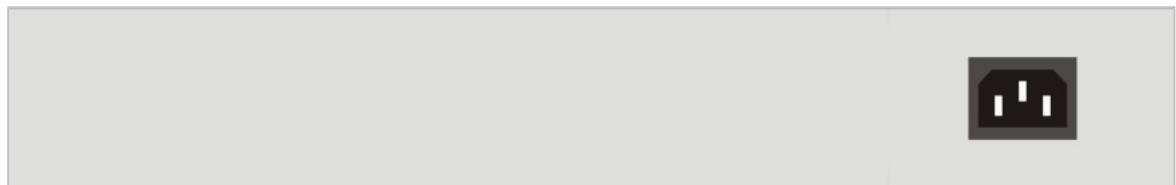


Figure 2. Back view

■ **RJ-45 Ports (Auto MDI/MDIX)**

8 auto-sensing ports of 10Base-T, 100Base-TX or 1000Base-TX connections.
All ports can support Power over Ethernet to power devices.

Remark: MDI means connecting to another Hub or Switch while MDIX means connecting to a workstation or PC. Therefore, Auto MDI/MDIX means that you can connect to another Switch or workstation without changing pin-to-pin or crossover cabling.

■ **AC Power Connector**

Plug the female connector into the switch and male connector into a power outlet.
Support input voltages 100~240 VAC.

This is a Class A product. In home environment, this product may cause radio interference. In this case, the user may be required to take appropriate measures.

Hereby Assmann Electronic GmbH, declares that the Declaration of Conformity is part of the shipping content. If the Declaration of Conformity is missing, you can request it by post under the below mentioned manufacturer address.

www.assmann.com
Assmann Electronic GmbH
Auf dem Schüffel 3
58513 Lüdenscheid
Germany

