

GPEN21

GPEN21



GPEN21 allows powering a PoE capable device over the Ethernet, using the same voltage, as provided with the DC input jack.

Powering

The device accepts power from a direct-input power jack (5.5 mm outside and 2 mm inside, female, pin positive plug) 12-57 V DC.
Max power consumption 50 W.

Power output

The device supports PoE out from the Ethernet port located under the cover. You can power Mikrotik devices that support passive powering through Ethernet.

GPEN21 has an Ethernet and SFP port for fiber connectivity. Customers can choose to use GPEN21 to power the optical module for uplink to provider, **or to provide PoE** to power Ethernet uplink to the provider (that uses our GPeR and/or netPower products), which cannot be used together.

Mode button

Reserved for future use.

Mounting

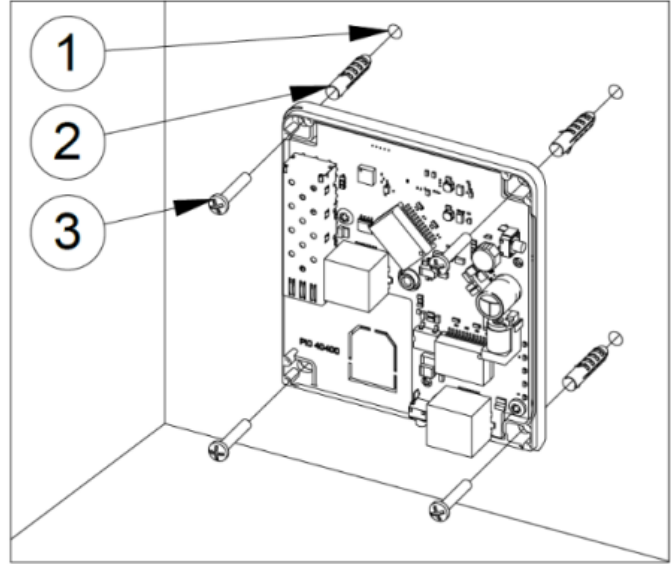
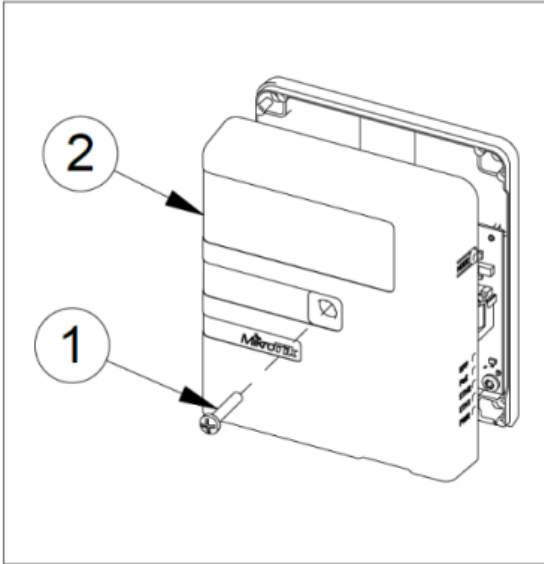
Step 1:

1. Remove the cover screw using a PH2 screwdriver;
2. Remove the cover to access mounting points.

Step 2:

1. Drill holes using drill bit;
2. Insert dowels if needed;
3. Attach the unit to the wall and secure it with screws.

Step 1.Step 2.

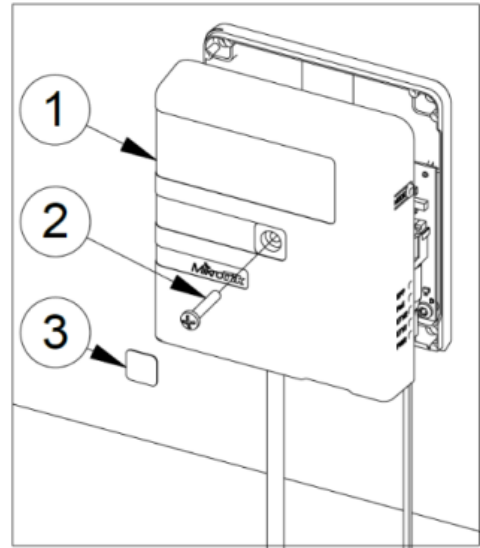
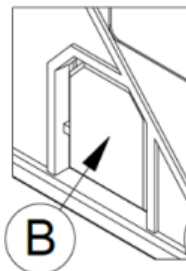
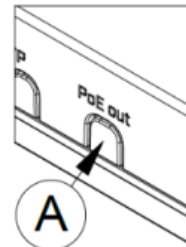
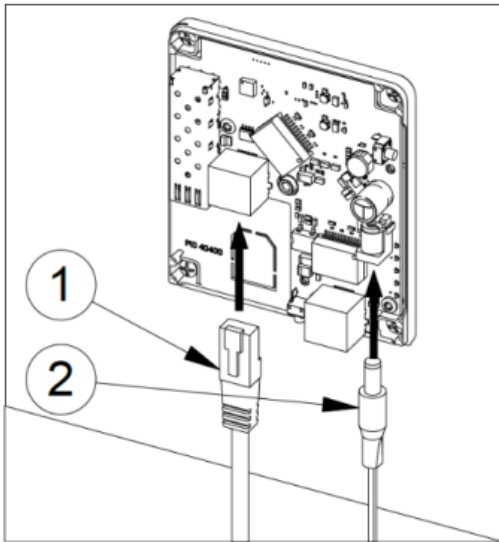


Step 3:

1. Plug in the Ethernet cable going to the unit that will be powered;
 2. Plug in the power source for the GPEN.
- Outgoing Ethernet cable can be guided through position A or B for cable leading into the wall.

Step 4:

1. Re-attach cover;
2. Secure cover using the screw;
3. Use the sticker to cover the screw location.



Step 3.Step 4.

When mounting on the wall, please ensure that the cable feed is pointing downwards.

Reset button

The RouterBOOT reset button has the following function. Press the button and apply the power, then:

- Release the button when the green LED starts flashing, to reset device configuration to defaults.

Regardless of the above option used, the system will load the backup RouterBOOT loader if the button is pressed before power is applied to the device. Useful for RouterBOOT debugging and recovery.

Accessories

The package includes the following accessories that come with the device:

- K-62 screw kit includes four screws and dowels for mounting on the wall.

Please visit wiki pages for MikroTik SFP module compatibility table: https://wiki.mikrotik.com/wiki/MikroTik_SFP_module_compatibility_table

Specifications

https://i.mt.lv/cdn/product_files/GPEN_concept_200204.pdf

Federal Communication Commission Interference Statement

This equipment has been tested and found to comply with the limits for a Class B digital device, pursuant to Part 15 of the FCC Rules. These limits are designed to provide reasonable protection against harmful interference in a residential installation.

This equipment generates, uses, and can radiate radio frequency energy and, if not installed and used in accordance with the instructions, may cause harmful interference to radio communications. However, there is no guarantee that interference will not occur in a particular installation. If this equipment does cause harmful interference to radio or television reception, which can be determined by turning the equipment off and on, the user is encouraged to try to correct the interference by one of the following measures:



- Reorient or relocate the receiving antenna.
- Increase the separation between the equipment and receiver.
- Connect the equipment into an outlet on a circuit different from that to which the receiver is connected.
- Consult the dealer or an experienced radio/TV technician for help.

FCC Caution: Any changes or modifications not expressly approved by the party responsible for compliance could void the user's authority to operate this equipment.

This device complies with Part 15 of the FCC Rules. Operation is subject to the following two conditions: (1) This device may not cause harmful interference, and (2) this device must accept any interference received, including interference that may cause undesired operation.

Note: This unit was tested with shielded cables on the peripheral devices. Shielded cables must be used with the unit to ensure compliance.

Innovation, Science and Economic Development Canada

This device complies with Industry Canada licence-exempt RSS standard(s). Operation is subject to the following two conditions: (1) this device may not cause interference, and (2) this device must accept any interference, including interference that may cause undesired operation of the device.

Le présent appareil est conforme aux CNR d'Industrie Canada applicables aux appareils radio exempts de licence. L'exploitation est autorisée aux deux conditions suivantes: (1) l'appareil ne doit pas produire de brouillage, et (2) l'utilisateur de l'appareil doit accepter tout brouillage radioélectrique subi, même si le brouillage est susceptible d'en compromettre le fonctionnement.

This Class B digital apparatus complies with Canadian ICES-003.

Cet appareil numérique de la classe [B] est conforme à la norme NMB-003 du Canada.

CAN ICES-003 (B) / NMB-003 (B)

UKCA marking



Eurasian Conformity Mark

Информация о дате изготовления устройства указана в конце серийного номера на его наклейке через дробь. Первая цифра означает номер года (последняя цифра года), две последующие означают номер недели.

Изготовитель: Mikrotikls SIA, Aizkraukles iela 23, Riga, LV-1006, Латвия, support@mikrotik.com. Сделано в Китае, Латвии или Литве. См. на упаковке.

Для получения подробных сведений о гарантийном обслуживании обратитесь к продавцу. Информация об импортерах продукции MikroTik в Российскую Федерацию: <https://mikrotik.com/buy/europe/russia>

Продукты MikroTik, которые поставляются в Евразийский таможенный союз, оцениваются с учетом соответствующих требований и помечены знаком ЕАС, как показано ниже:



Norma Oficial Mexicana

EFICIENCIA ENERGETICA CUMPLE CON LA NOM-029-ENER-2017.

La operacion de este equipo esta sujeta a las siguientes dos condiciones:

- Es posible que este equipo o dispositivo no cause interferencia perjudicial y.
- Este equipo debe aceptar cualquier interferencia, incluyendo la que pueda causar su operacion no deseada.

Fabricante: Mikrotikls SIA, Brivibas gatve 214i, Riga, LV-1039, Latvia.

País De Origen: Letonia; Lituania; China (Republica Popular); Estados Unidos De America; Mexico.

Por favor contacte a su distribuidor local para preguntas regionales específicas. La lista de importadores se puede encontrar en nuestra página de inicio – <https://mikrotik.com/buy/latinamerica/mexico>.

CE Declaration of Conformity

Manufacturer: Mikrotikls SIA, Brivibas gatve 214i Riga, Latvia, LV1039.

The full text of the EU declaration of conformity is available at the following internet address: <https://mikrotik.com/products>



Note. The information contained here is subject to change. Please visit the product page on www.mikrotik.com for the most up to date version of this document.