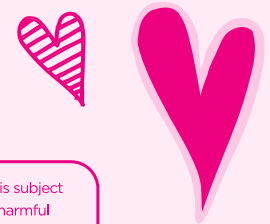
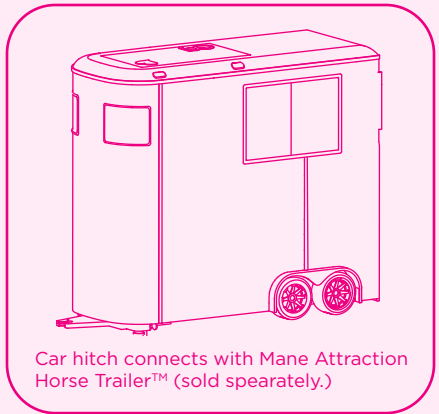
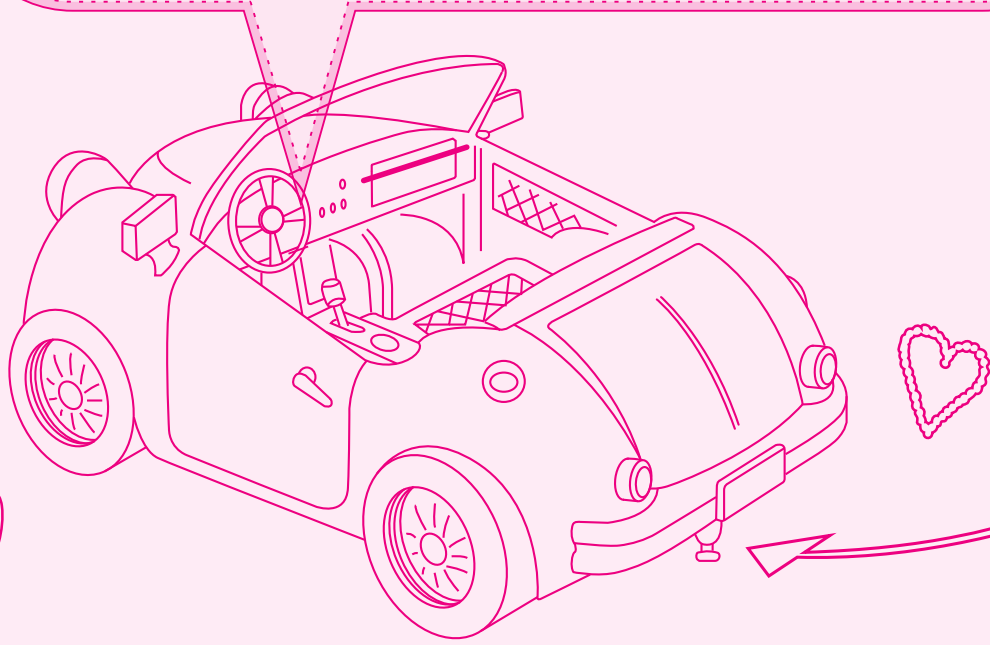


This device complies with Part 15 of the FCC Rules. Operation is subject to the following two conditions: (1) this device may not cause harmful interference, and (2) this device must accept any interference received, including interference that may cause undesired operation.

Caution: changes or modifications not expressly approved by the party responsible for compliance could void the user's authority to operate the equipment.

NOTE: This equipment has been tested and found to comply with the limits for a Class B digital device, pursuant to Part 15 of the FCC Rules. These limits are designed to provide reasonable protection against harmful interference in a residential installation. This equipment generates, uses and can radiate radio frequency energy and, if not installed and used in accordance with the instructions, may cause harmful interference to radio communications. However, there is no guarantee that interference will not occur in a particular installation. If this equipment does cause harmful interference to radio or television reception, which can be determined by turning the equipment off and on, the user is encouraged to try to correct the interference by one or more of the following measures:

- Reorient or relocate the receiving antenna.
- Increase the separation between the equipment and receiver.
- Connect the equipment into an outlet on a circuit different from that to which the receiver is connected.
- Consult the dealer or an experienced radio/TV technician for help.

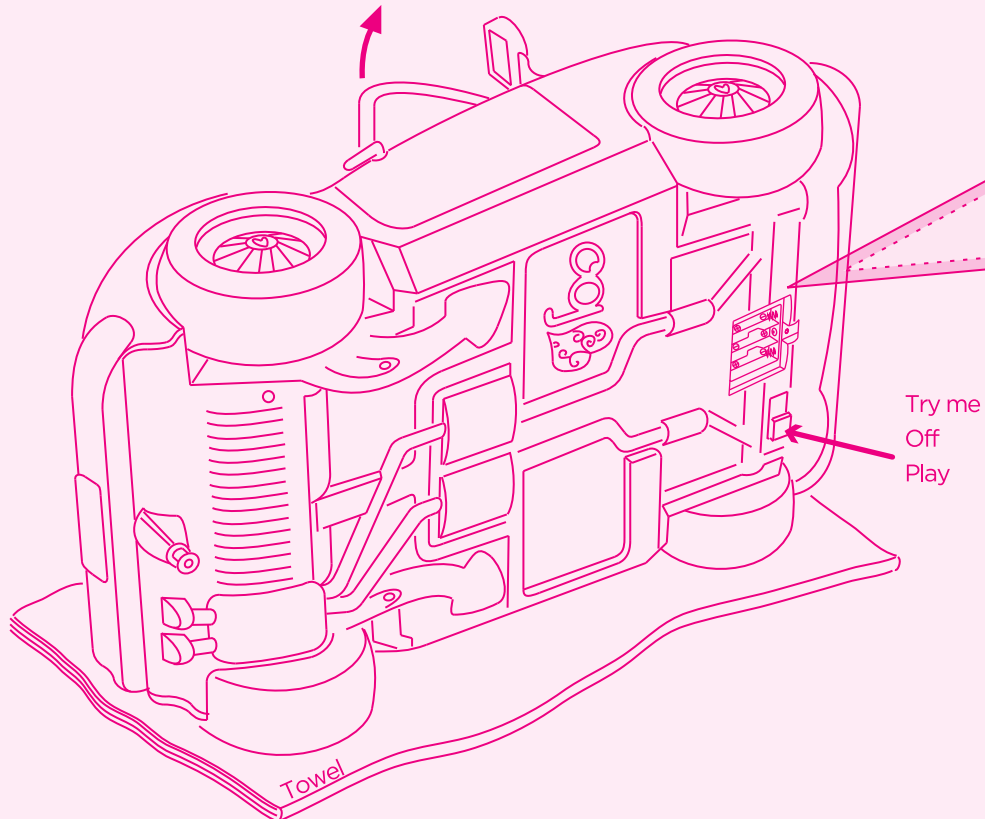


# our generation. retro

In the Driver's Seat  
Retro Cruiser™

Remove all packaging ties  
before giving this toy to a child.

Make sure the windshield is fully upright  
and slotted in the right position



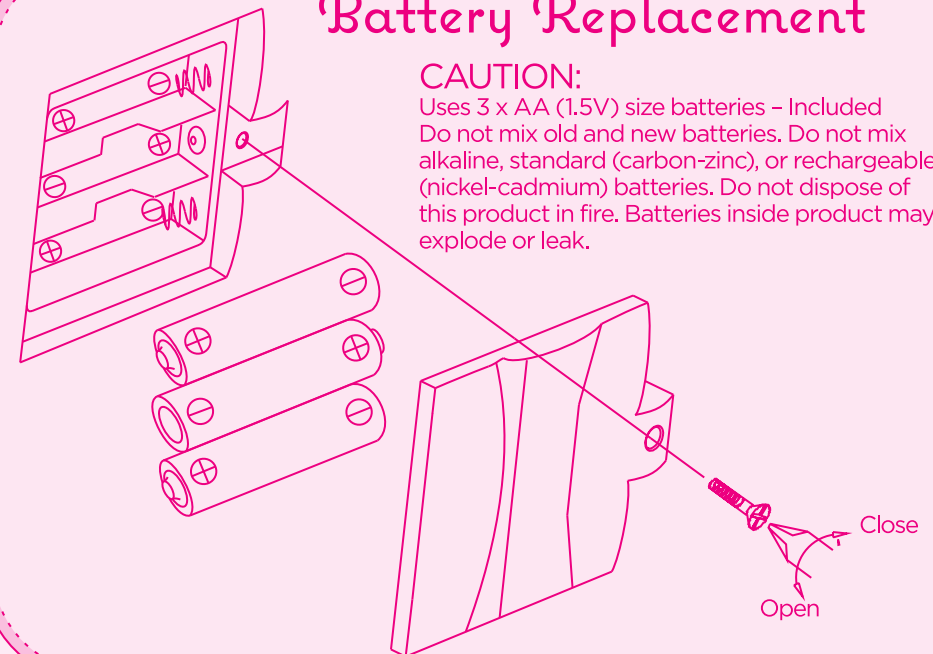
## User Guideline

- A) FM (88-108Mhz) Radio reception is very dependent on geographic location; this product is designed for use in regions with adequate radio reception, and is not intended for regular radio use.
- B) If abnormal sounds are produced, push car's bottom power switch to "OFF" for 2 seconds and then push back to "Play".
- C) Driver seat may be permanently stained if in contact with marker, pen, crayon, paint, dark-colored doll outfits, or similar objects for long periods.
- D) For cleaning, use clean and soft damp cloth to remove dust on car. Do not use rough cloths or strong cleaning detergent as this will cause permanent surface damage to the car.
- E) Please read this instruction sheet carefully and keep it for future reference.

## Battery Replacement

### CAUTION:

Uses 3 x AA (1.5V) size batteries - Included  
Do not mix old and new batteries. Do not mix alkaline, standard (carbon-zinc), or rechargeable (nickel-cadmium) batteries. Do not dispose of this product in fire. Batteries inside product may explode or leak.



**Attention:** Please keep the packing materials and screws away from children.

**WARNING:**  
CHOKING HAZARD - Small parts.  
Not for children under 3 years.