

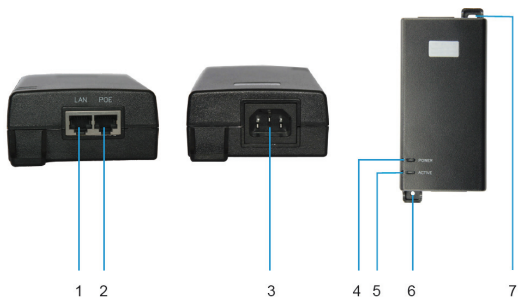


**PoE ULTRA INJECTOR,  
802.3AT, 10/100/1000 Mbps,  
60 WATT**



**Manual**  
DN-95104

DN-95104, the high power single port active PoE injector with detection chip inside. It output 60w for high power PD though 8 lines. It support 10/100/1000Mbps network environment. DN-95104 supply power for PoE standard terminal equipment, such as the high power Base station, wireless Access Point, Network Camera etc. DN-95104, designed for indoor using with input voltage 100V~240VAC. This power supply works with other equipment over Cat5/Cat5e, and the best effective distance is 100 meters. It can work to 400 meters with PoE extender. (PoE extender is not included)

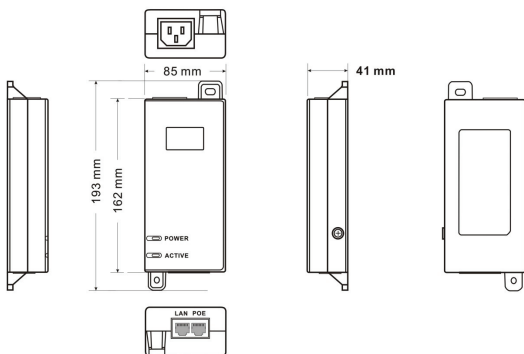


1. Data input port
2. PoE power input
3. AC power input
4. Power indicator
5. Load activations indicator
- 6, 7. Install holes

## MAIN SPECIFICATION

- Provide power with detection chip
- Output power 60W
- Output current 1.1A
- Power pin:4/5(+),7/8(-) and 3/6(+),1/2(-)
- Small size, high-power, lower cost.
- Support power for IEEE802.3af/IEEE802.3at terminal equipment
- Support power for no-IEEE802.3af/IEEE802.3at terminal equipment

## OUTLINE DRAWING



## SPECIFICATIONS

### Standards

- IEEE802.3 10Base-T Ethernet
- IEEE802.3u 100Base-Tx Fast Ethernet
- Support 10/100/1000Base-T LAN
- Support IEEE802.3af/IEEE802.3at standard terminal equipment
- Support Non-IEEE802.3af/IEEE802.3at standard terminal
- RoHS Compliant
- WEEE Compliant, CE/FCC
- FCC Part 15, Class B
- EN 55022 Class B
- MTBF:100,000 h@25°C

### PoE power output

- Ethernet Pin: 4/5(+),7/8(-) and 3/6(+),1/2(-)
- Data: 10/100/1000Mbps
- Output voltage: 55V
- Output current: 1.1A
- Input AC voltage: 100-240VAC
- AC input current: 1.5A@100-240VAC
- AC Hz:50-60Hz

### Size & Weight

- Size: 193mm x 85mm x 41mm
- Weight: 380g

### LED instructions

- AC power LED: GREEN
- ACTIVE Load LED: GREEN

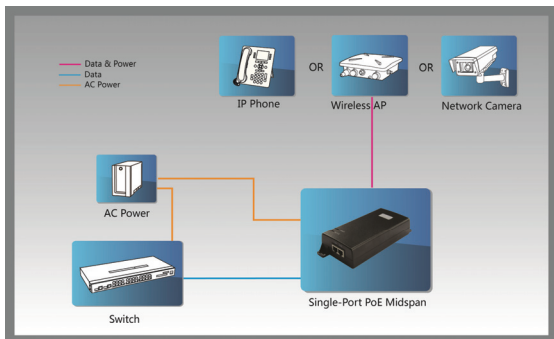
### Working Environment

- Temperature: -5 to 45°C
- Height: -304.8 meter to 3048 meters
- Humidity: Max to 90%, without Coagulation

### AC Surge Protection

- 1.5KA(8/20us)
- 3KV(1.2/50us)

## APPLICATION PICTURE



**Package info.** DN-95104, Power cable \* 1, User Manual \*1

Note: If wrongly installed or improperly used in the living area, the device can cause interference in radios and other electronic devices. Appropriate use is when the device, as far as feasible, is operated with shielded connection cables (with network products in addition to category 5 shielded cables and higher). The device has been tested and falls within the limits of class B computing equipment according to the requirements of EN 55022.

Warning: This device conforms with test category B - it can cause radio interference in the living area; in this case the operator may demand that appropriate measures are implemented and arise for this reason. Declaration of conformity: The device fulfills the EMV requirements according to EN 55022 for ITE and EN 55024. Devices with external or integrated power supply furthermore fulfill the requirements of EN 61000-3-2 and EN 61000-3-3. In this way, the fundamental protection requirements of the EMV-2004/108/EC guideline are fulfilled. The CE conformity has been proven. The pertinent declarations are deposited with the manufacturer.

[www.assmann.com](http://www.assmann.com)  
ASSMANN Electronic GmbH  
Auf dem Schüffel 3  
58513 Lüdenscheid  
Germany

