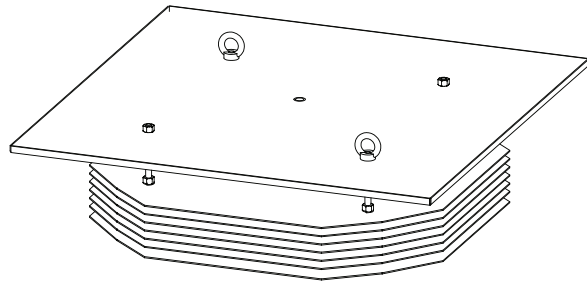


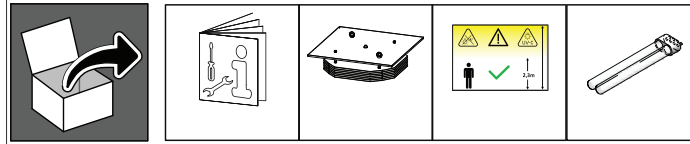
# PHILIPS

## SM345C

SM345C 4xTUV  
PLS 9W HFM



1x



IP20



220V  
240V

50Hz  
60Hz

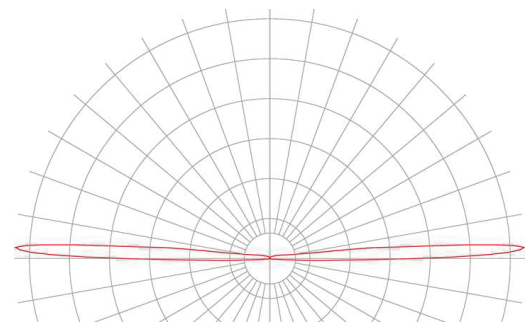
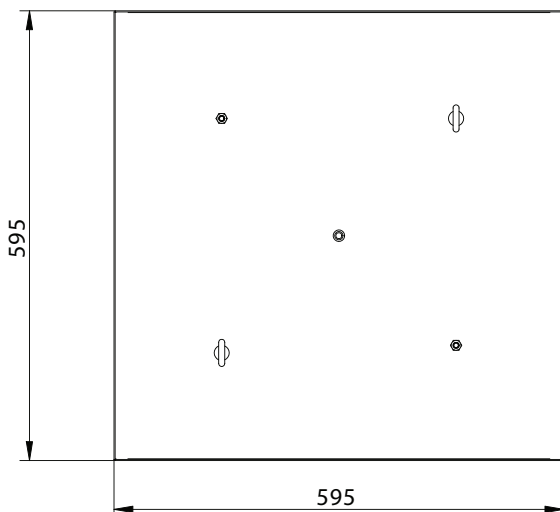
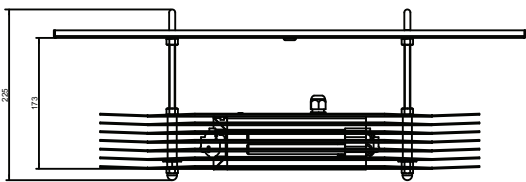


Max Ta  
35°C



UV-C RISK  
GROUP 3  
IEC 62471

FAMILY NAME	UV-C lamp type	Ballast type	Useful lamp lifetime	kg
	(12 NC)	(12 NC)		
SM345C	TUV PL-S 9W/4	HF-M BLUE 109 LH TL/PL-S 230-240V	9000 hrs	7,5
	(927901904007)	(913700421366)		



SM345C 4xTUV PLS 9W HFM		
Total UV-C output (W):	0,335	
UV-C wave length:	254nm	
Effective irradiance in maximum intensity direction		
Distance from luminaire (m)	Maximum irradiance value (mW/m <sup>2</sup> )	Maximum irradiance value (W/m <sup>2</sup> )
0,2	1420,55	1,42
2	98,16	0,1
10	5,04	0,01

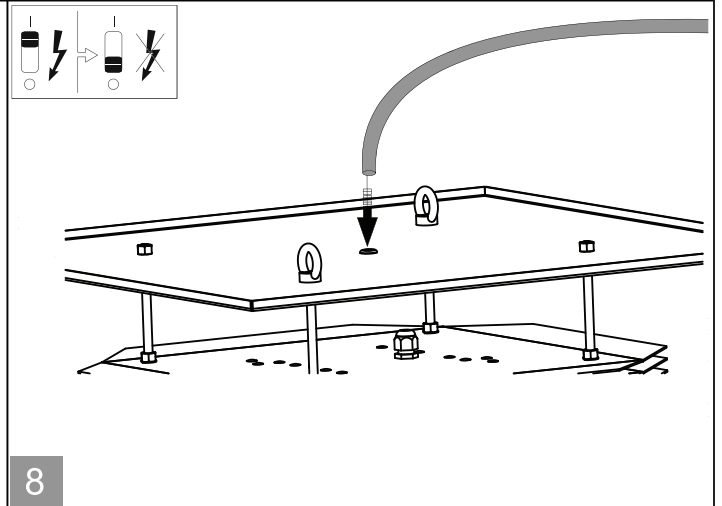
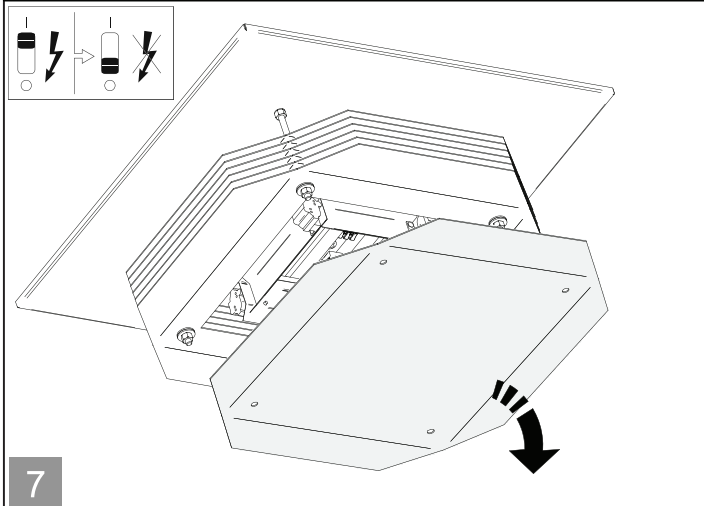
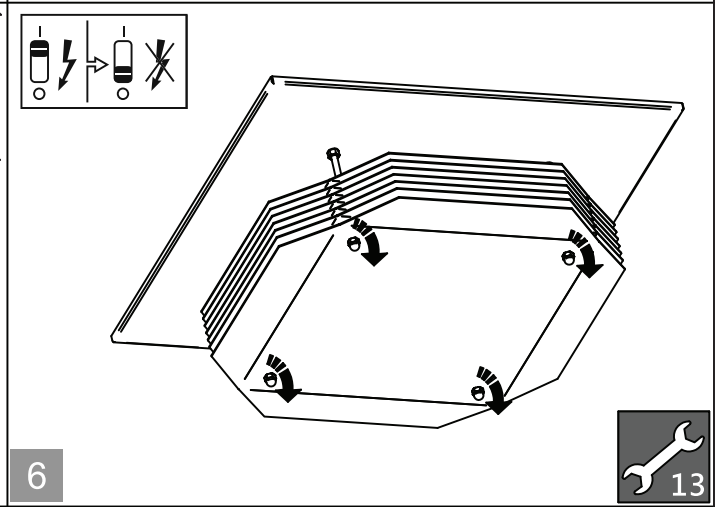
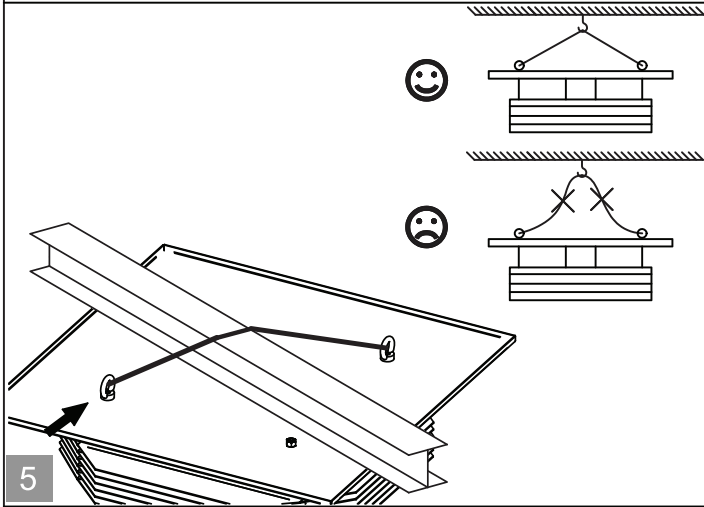
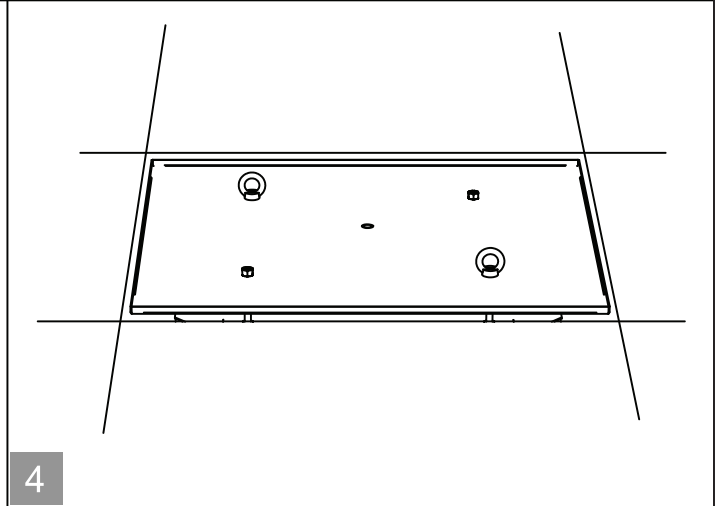
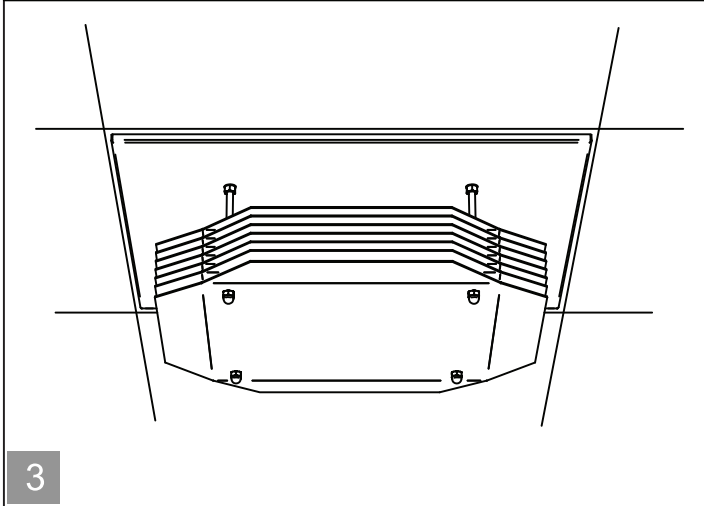
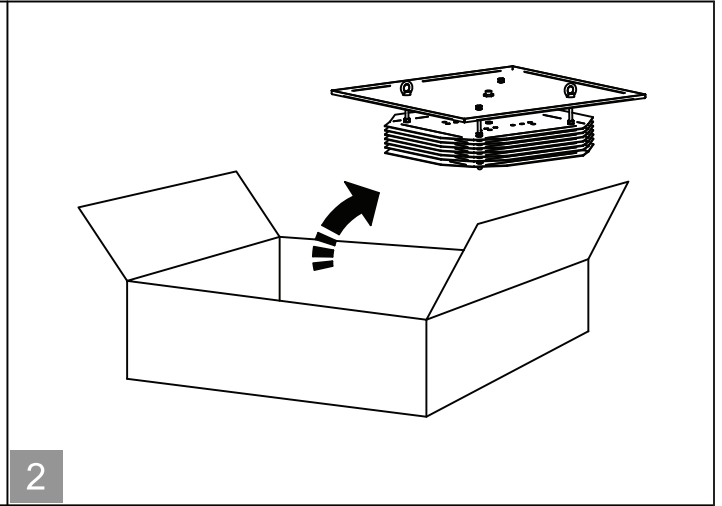
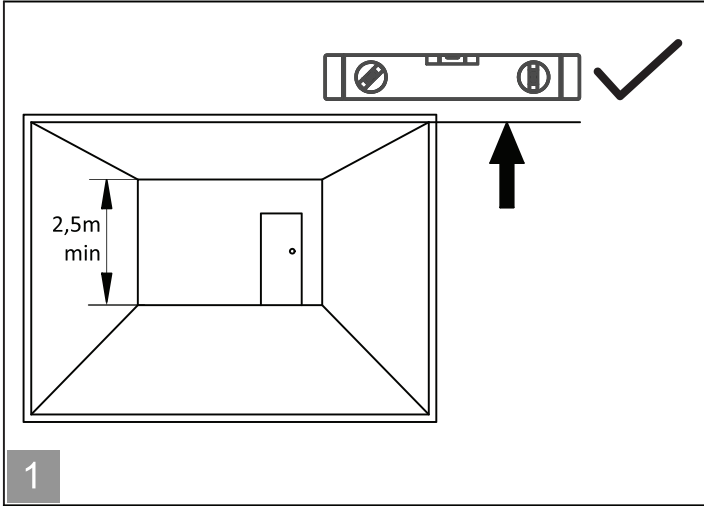


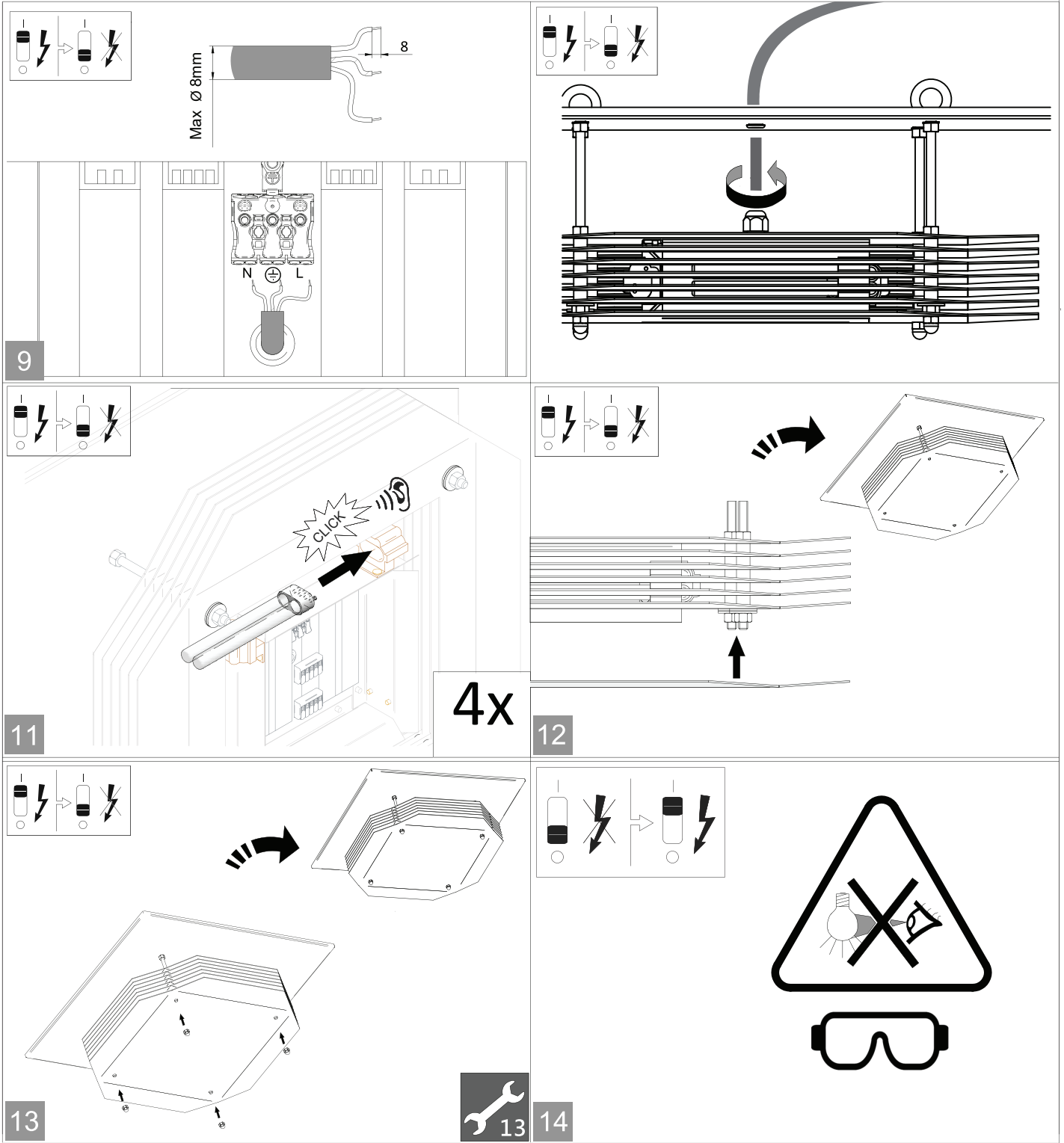
442294842785

© 04 / 2021, Signify Holding All rights reserved  
Printed in Poland  
Data subject to change without notice  
Keep for future reference: [www.philips.com/lighting](http://www.philips.com/lighting)

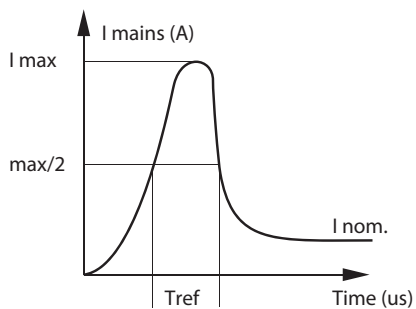


Scan QR code or follow the link to get to training materials  
[www.philips.com/uvctraining](http://www.philips.com/uvctraining)





Inrush current



Electrical characteristics

$I_{max}$ (A)	13
$T_{ref}$ (us)	111
MCB	Max. luminaires
B-10 A	43
B-16 A	70
C-10 A	72
C-16 A	115

# USER MANUAL

## Content

1. UV-C basic information
2. Applicable safeguards and installation requirements for the wall mount UV-C device
3. Maintenance and safe use
4. Warnings concerning reasonably foreseeable improper usage, malfunctions, and hazardous failure modes.

### 1 UV-C basic information

What is UV-C?

Ultraviolet (UV) light is invisible to human eyes. It can be subdivided into three categories:

- UV-C from 200 to 280 nm - For disinfection purposes and germicidal application.
- UV-B from 280 to 315 nm - For medical use (i.e. phototherapy to treat skin conditions, including psoriasis).
- UV-A from 315 to 400 nm - For use with curing, tanning and insect traps.

How does UV-C work?

- UV-C radiation can break the DNA and RNA of bacteria, viruses and spores, meaning that they leave them harmless. There are no known micro-organisms resistant to UV-C<sup>1</sup>.
- UV-C technology has been used safely and effectively in hospitals and governmental buildings for more than 40 years<sup>2</sup>.
- Most UV-C solutions utilize conventional lighting, with LED now improving in efficiency.
- The peak output of our germicidal lamps (253.7 nm) is close (80%-85%) to the maximum effectiveness of UV-C (265 nm).
- Smaller UV-C wavelengths (222 nm) are being explored as less harmful alternatives.

### 2 Installation requirements and safeguards for this product

The device described in this guide is designed to operate and provide UV-C irradiation in the open air of indoor rooms for disinfection. The disinfection happens in a germicidal zone over the height where people are occupying the room. Staying in the room where these luminaires are installed and turned on is allowed if the below instructions are followed while being present in the subject indoor room. To achieve this safe condition, the following precautions must be taken and followed and kept during use:

#### 2.1 Installation, electrical connection, and verification of installed products,

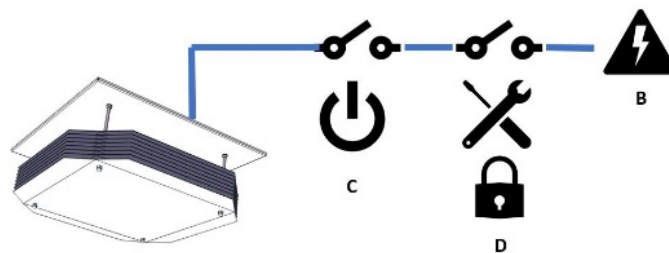
2.1.1 Installation of the products referenced herein should only happen after a design of the UV-C irradiation in the application itself, which defines exact positions for installation. (referenced commonly as lighting design).

2.1.2 The product installation must follow the pictorial instructions provided in this document, with the below precautions to be followed:

- a. Check the product after unpacking for damage. Do not install physically damaged product.
- b. Only install into ceilings that meets the following criteria:
  - i. Suitable to hold luminaire weight
  - ii. The ceiling is horizontal and suitable for the size of the fixture
  - iii. The product must be installed in a safe height as described in the pictorial instructions
  - iv. Attach safety anchorage strap to the luminaire to both top connection points (behind the ceiling after installation), as additional safety measure (safety strap not included)

2.1.3 The product must be installed on a power circuit which meets the following criteria:

- A. Can be turned on/off separately from any general lighting used in the building
- B. It meets the national electric code of the actual country of use and installation
- C. It is separated from any lighting system by its own circuit breaker
- D. The input power switch must be lockable for safe shutdown during maintenance



<sup>1</sup> Fluence (UV Dose) Required to Achieve Incremental Log Inactivation of Bacteria, Protozoa, Viruses and Algae Revised, updated and expanded by Adel Haji Malayeri, Madjid Mohseni, Bill Cairns and James R. Bolton. With earlier contributions by Gabriel Chevrefils (2006) and Eric Caron (2006) With peer review by Benoit Barbeau, Harold Wright (1999) and Karl G. Linden

<sup>2</sup> EPA Report, "Building Retrofits for Increased Protection Against Airborne Chemical and Biological Releases" Pg. 56

## 2.2 Visible marking of freely accessible height

Heights defined in this section are as below, defined by the distance to the floor.

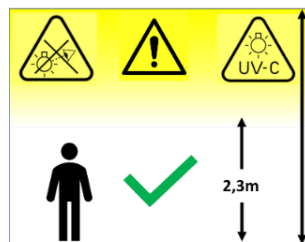
- Ceiling height – height of the ceiling measured from the floor and has a minimum value of 2.5 m.
- Accessible height – height, which defines the level to stay below during the operation of the UV-C unit. This height has a minimum value of 2.3 m.

During normal use of this product, it is strictly forbidden to climb, reach and/or enter by any means into the zone which is above the Accessible height. Above the accessible height, UV-C irradiance is high enough to cause injury and/or pose risk to human health.

The below marking needs to be placed into the room where the product is installed to distinguish and mark the accessible height. The markings must not blend into the surroundings. The height of installation of these marks is 1,83 m from the floor for all locations where markings must be installed. It is not allowed to remove or cover the marks after installation by any means (examples of not allowed covering: overpainting, covering by furniture, temporary removal). If the actual position of installation requires, use additional fixation to prevent the markings from being removed from their position after installation (example: fixing with additional pins to avoid peeling off).

The marks must be placed in the following locations in the rooms where the product is installed.

- Any entry point to the room where the product is installed (example: outside of the door(s) of entry).
- Under the product itself or on the closest wall where free access in the room is available. If multiple fixtures installed in the same room, at least 1 mark per unit must be placed on the wall.



## Commissioning (Verification of the mounted products)

Installation of the products referenced herein should only happen after a design of the UV-C irradiation in the application itself (referenced generally as lighting design). In any case the installation cannot be handed over to the final customer without final commissioning of the products in the actual installation.

Steps of verification of the installed products are as below:

- Install luminaire to the pre-designed positions according to this document following all instructions.
- Stay on the ground level and make sure no one is staying above 2 m.
- Use personal protective equipment that protect against UV-C irradiation and/or accidental exposure.
- Turn on power to the luminaires.
- Survey the room with a sensitive UV-C meter at 1,83 m height for UV-C levels. Ensure that the used UV-C meter is capable to measure within the range of  $0.2 \mu\text{W}/\text{cm}^2$  irradiance.
- UV-C levels are acceptable if they are at  $0.2 \mu\text{W}/\text{cm}^2$  for an 8 hour exposure time, or an equivalent dose as per ISO 15858.
- If the intensity level is not according to the usage of the room (Exposure time and/or irradiance) the position and number of units should be reconsidered and adjusted to reach the required level of irradiance in the actual installation.

## 3 Maintenance:

The unit is designed for minimum maintenance need and time. Possible maintenance for the unit by a qualified person is limited to changing lamps in the unit.

Occasional UV-C measurements must be made to ensure that the UV-C levels in the treated areas remain within the allowable exposure limits. A regular cycle of cleaning the lamp and interior reflector must be established based on visual inspection and experience. The frequency of cleaning will vary with the conditions surrounding each installation. It is recommended that the lamp and reflector be cleaned at least every 6 months.

Lamp exchange needs can be identified by the lamps operating hours, or by doing periodic irradiance measurements at predefined positions of the actual installation in the final environment.

Lamp exchange and/or cleaning procedure must be executed in this order:

1. Identify the unit that needs cleaning or maintenance.
2. Use personal protective equipment that protect against UV-C irradiation and/or accidental exposure.
3. Make sure that power is turned off at the switch that is switching the UV-C devices centrally.
4. Lock out and tag out the lockable switch which in off state. This ensures safety during maintenance against accidental turn on.
5. Remove the 4 capped nuts from the bottom and remove the white bottom plate.
6. Take out the 4 lamps by pulling it forward from the holder.

7. Clean the lamps with a soft, lint-free cloth.
8. Clean the reflectors with a soft, lint-free cloth. For reflectors, the cloth may be moistened with pure alcohol.
9. Place the lamp back into the lamp holders. If replacing lamp, place new lamp into position. Lamps contain mercury. Replaced old lamps should be disposed properly!
10. Re position the white plate and place the capped nuts back into position. Tighten the capped nuts.
11. Leave the area of the UV-C beam and stay in the freely accessible zone as defined by the visible marking safeguard.
12. Remove the lockout tagout from the switch at the central switch location.
13. Turn on power.
14. Repeat the commissioning process to make sure that after lamp replacement, the irradiance levels are still acceptable.

**In case of lamp breakage follow below instruction:**

Before cleanup:

- Have people and pets leave the room and avoid the breakage area on the way out.
- Open a window or door to the outdoors and leave the room for 5-10 minutes.
- Shut off the central forced-air heating/air conditioning (HVAC) system if you have one.
- Collect materials you will need to clean up the broken bulb:
  - Stiff paper or cardboard.
  - Sticky tape (e.g., duct tape).
  - Damp paper towels or disposable wet wipes (for hard surfaces).
  - Glass jar with a metal lid (such as a canning jar) or a sealable plastic bag(s).

**Cleanup Steps for Hard Surfaces**

1. Carefully scoop up glass fragments and powder using stiff paper or cardboard and place debris and paper/cardboard in a glass jar with a metal lid. If a glass jar is not available, use a sealable plastic bag. (NOTE: Since a plastic bag will not prevent the mercury vapor from escaping, remove the plastic bag(s) from the home after cleanup).
2. Use sticky tape, such as duct tape, to pick up any remaining small glass fragments and powder. Place the used tape in the glass jar or plastic bag.
3. Wipe the area clean with damp paper towels or disposable wet wipes. Place the towels in the glass jar or plastic bag.
4. Vacuuming of hard surfaces during cleanup is not recommended unless broken glass remains after all other cleanup steps have been taken. [NOTE: It is possible that vacuuming could spread mercury-containing powder or mercury vapor, although available information on this problem is limited.] If vacuuming is needed to ensure removal of all broken glass, keep the following tips in mind:
  - a. Keep a window or door to the outdoors open.
  - b. Vacuum the area where the bulb was broken using the vacuum hose, if available; and
  - c. Remove the vacuum bag (or empty and wipe the canister) and seal the bag/vacuum debris, and any materials used to clean the vacuum, in a plastic bag.
5. Promptly place all bulb debris and cleanup materials, including vacuum cleaner bags, outdoors in a trash container or protected area until materials can be disposed of. Avoid leaving any bulb fragments or cleanup materials indoors.
6. Next, check with your local government about disposal requirements in your area, because some localities require fluorescent bulbs (broken or unbroken) be taken to a local recycling center. If there is no such requirement in your area, you can dispose of the materials with your household trash.
7. Wash your hands with soap and water after disposing of the jars or plastic bags containing bulb debris and cleanup materials.
8. Continue to air out the room where the bulb was broken and leave the HVAC system shut off, as practical, for several hours.

**Cleanup Steps for Carpeting or Rugs**

1. Carefully scoop up glass fragments and powder using stiff paper or cardboard and place debris and paper/cardboard in a glass jar with a metal lid. If a glass jar is not available, use a sealable plastic bag. (NOTE: Since a plastic bag will not prevent the mercury vapor from escaping, remove the plastic bag(s) from the home after cleanup).
2. Use sticky tape, such as duct tape, to pick up any remaining small glass fragments and powder. Place the used tape in the glass jar or plastic bag.
3. Vacuuming of carpeting or rugs during cleanup is not recommended unless broken glass remains after all other cleanup steps have been taken. [NOTE: It is possible that vacuuming could spread mercury-containing powder or mercury vapor, although available information on this problem is limited.] If vacuuming is needed to ensure removal of all broken glass, keep the following tips in mind:
  - a. Keep a window or door to the outdoors open.
  - b. Vacuum the area where the bulb was broken using the vacuum hose, if available, and
  - c. Remove the vacuum bag (or empty and wipe the canister) and seal the bag/vacuum debris, and any materials used to clean the vacuum, in a plastic bag.

4. Promptly place all bulb debris and cleanup materials, including vacuum cleaner bags, outdoors in a trash container or protected area until materials can be disposed of. Avoid leaving any bulb fragments or cleanup materials indoors.
5. Next, check with your local government about disposal requirements in your area, because some localities require fluorescent bulbs (broken or unbroken) be taken to a local recycling center. If there is no such requirement in your area, you can dispose of the materials with your household trash.
6. Wash your hands with soap and water after disposing of the jars or plastic bags containing bulb debris and cleanup materials.
7. Continue to air out the room where the bulb was broken and leave the HVAC system shut off, as practical, for several hours.

**Future Cleaning of Carpeting or Rugs:**

1. Air Out the Room During and After Vacuuming
2. The next several times you vacuum the rug or carpet, shut off the HVAC system if you have one, close the doors to other rooms, and open a window or door to the outside before vacuuming. Change the vacuum bag after each use in this area.
3. After vacuuming is completed, keep the HVAC system shut off and the window or door to the outside open, as practical, for several hours.

**4 Reasonably foreseeable improper usage, malfunctions, and hazardous failure modes.**

Issue / Failure mode	Potential effect (s of failure)	Potential cause(s) / Mechanism(s) of failure	Prevention
Irradiance too low in the germicidal zone	dose too low leading to reduced disinfection rate which may cause airborne pathogens remaining inactivated	T ambient of application	Temperature monitoring, keep temperature within limits described in product specification
	dose too low leading to reduced disinfection rate which may cause airborne pathogens remaining inactivated	shadowed area of UV-C	Make sure treated area will not be shadowed by other objects
	dose too low leading to reduced disinfection rate which may cause airborne pathogens remaining inactivated	dust on UV-C source	Make sure lamp (UV-C source) is clean and free of dust
No dose at all - thus no disinfection function	Luminaire is not on	luminaire is not connected	Connect luminaire according to manual instruction
	driver not working	luminaire is not switched on	Switch on luminaire with all safety measure described in user manual
	Lamp not working	end of life or failure of driver	Replace driver by authorized provider
Exposure to higher dose than allowed for 8 hours stay	Unintended human exposure to UV-C, sunburn-like reaction to the skin and serious damage to the cornea	Too high reflections from walls	Do not allow changes to room layout after installation.
Exposure to higher dose than allowed for 8 hours stay	Unintended human exposure to UV-C, sunburn-like reaction to the skin and serious damage to the cornea	Too high reflections from walls	In case of rooms that have movable walls, commission for smallest room size layout.
Accidental exposure in the main beam	Unintended human exposure to UV-C, sunburn-like reaction to the skin and serious damage to the cornea	Visible marking safeguard is not followed	Check training materials and user manual. Reinforce use of visible marking safeguard
Accidental exposure in the main beam	Unintended human exposure to UV-C, sunburn-like reaction to the skin and serious damage to the cornea	Visible marking safeguard is not installed	
Lamp is broken during replacement	Hg from the lamp may contaminate surface and room	Accidental fall of lamp while relamping	Be careful and focused while relamping. Follow replacement instruction. In case of breakage follow instruction how to clean Hg contamination.
Goods and surroundings damage due to UV-C	Material degradation, painting fade away due to UV-C	Precious goods and non UV-C resistant materials around luminaire in germicidal zone are not secured while lamp operating	Make sure all precious goods / objects/ signs are removed or hidden/protected from direct UV-C application

## (GB) Safety precautions



- This product is UV-C Risk Group 3 rated, according to IEC 62471.
- **Warning:** UV-C emitted from this product. Avoid eye and skin exposure to unshielded product. Follow installation instructions and user manual.
- **Warning:** Our UV-C Products are not meant to be used in applications or activities which may cause and/or lead to death, personal injury and/or damage to the environment.
- **Warning:** Products not designed and/or intended to be used to disinfect medical devices or for medical purposes; Signify excludes any and all liability for any such improper use.
- **Warning:** Products are not provided with safeguards and may only be installed and used in connection with the appropriate safeguards. Customer is responsible for procuring and installing said safeguards prior to using the Product.
- **Warning:** Products are designed and intended to be used in professional applications. Products are not meant for use in consumer or household applications.
- **Warning:** Plants can be affected by UV-C radiation, whereby some plants are more sensitive than others. In tests Ficus Benjamina, Ficus Elastica "Robusta", Sansifera Laurentii and Peperomia Obtusifolia showed good resistance to UV-C. Switch off luminaires when no disinfection is required.
- Lamps include Mercury. If a lamp breaks, ventilate the room for 30 minutes and remove the parts, preferably with gloves. Put them in a sealed plastic bag and take it to your local waste facilities for recycling. Do not use a vacuum cleaner. Please follow User Manual.
- The luminaire shall be installed by a qualified electrician and wired in accordance with the latest IEE electrical regulations or the national requirements.
- During installation or when maintaining the luminaire use static free gloves to avoid marks on the luminaire.
- To remove dirt and spots use the following:
  - Dust: only use microfiber cloths.
  - Fingerprints, etc.: use a cleaner for synthetic materials with antistatic properties.

## (DK) Sikkerhedsforanstaltninger



- Dette produkt er UV-C Risk Group 3 vurderet i henhold til IEC 62471.
- **Advarsel:** Der udsendes UV-C fra dette produkt. Undgå øjen- og hudeksponering for uafskærmet produkt. Følg installations- og brugervejledning.
- **Advarsel:** Vores UV-C-produkter er ikke beregnet til brug i applikationer eller aktiviteter, der kan forårsage og/eller føre til død, personskade og/eller miljøskade.
- **Advarsel:** Produkter er ikke designet og/eller beregnet til at desinficere medicinsk udstyr eller til medicinske formål; Signify udelukker et hvert ansvar ved forkert brug.
- **Advarsel:** Produkter leveres ikke med sikkerhedsforanstaltninger og må kun installeres og bruges i forbindelse med de tilegnede sikkerhedsforanstaltninger. Kunden er ansvarlig for at anskaffe og installere førnævnte sikkerhedsforanstaltninger inden brug af produktet.
- **Advarsel:** Produkter er designet og beregnet til professionel brug. Produkter er ikke beregnet til at blive brugt af forbrugere eller i hjemmet.
- **Advarsel:** Planter kan blive påvirket af UV-C-stråling, og nogle planter er mere følsomme end andre. I test viste Ficus Benjamina, Ficus Elastica "Robusta", Sansifera Laurentii og Peperomia Obtusifolia god modstandsdygtighed over for UV-C. Sluk for armaturerne, når der ikke er behov for desinfektion.
- Lamperne indeholder kviksølv. Hvis en lampe går i stykker, skal du ventilere rummet i 30 minutter og fjerne delene, heri med handsker. Læg dem i en forseglet plastikpose og tag dem til dit lokale affaldsanlæg til genanvendelse. Brug ikke en støvsuger. Følg brugervejledningen.
- Armaturet skal installeres af en autoriseret elektriker og kables i overensstemmelse med de seneste IEE elektriske forskrifter eller de nationale krav.
- Brug antistatiske handsker under montering og vedligeholdelse, for at undgå mærker på armaturet.
- Brug følgende for at fjerne snavs og pletter:
  - Støv: Brug kun mikrofiberklude.
  - Fingeraftryk osv.: Brug et rengøringsmiddel til syntetiske materialer med antistatiske egenskaber.



## (SE) Säkerhetsåtgärder



- Denna produkt är klassad som UV-C-riskkategori 3 enligt IEC 62471.
- **Varning:** UV-C-utsläpp från denna produkt. Undvik ögon - och hudexponering till oavskärmat produkt. Följ installationsanvisningarna och användarmanualen.
- **Varning:** Våra UV-C-produkter är inte avsedda att användas i applikationer eller aktiviteter som kan orsaka och/eller leda till dödsfall, personskador och/eller miljöskador.
- **Varning:** Produkterna är inte konstruerade och/eller avsedda att användas för att desinficera medicinsk utrustning eller för medicinska ändamål; Signify ansvarar inte för sådan felaktig användning.
- **Varning:** Produkterna är inte försedda med skydd och får endast installeras och användas tillsammans med lämpliga skyddsåtgärder. Kunden ansvarar för att skaffa och installera skydd innan produkten används.
- **Varning:** Produkterna är konstruerade och avsedda för professionell användning. Produkterna är inte avsedda för användning av konsumenter eller i hushåll.
- **Varning :** Växter kan påverkas av UV-C-strålning och vissa är känsligare än andra. I tester har Ficus Benjamina, Ficus Elastica "Robusta", Sansifera Laurentii och Peperomia Obtusifolia visat god motståndskraft mot UV-C. Stäng av armaturerna när ingen desinfektion krävs.
- Lampor innehåller kvicksilver. Om en lampa går sönder, ventiler rummet i 30 minuter och ta bort delarna, helst med handskar. Lägg dem i en förseglad plastpåse och ta den till din lo kala avfallsanläggning för återvinning. Använd inte dammsugare. Följ användarmanualen.
- Armaturen ska installeras av en kvalificerad elektriker och vara kabelansluten i enlighet med de senaste IEE - elektriska bestämmelserna eller de nationella kraven.
- Använd antistatiska handskar för att undvika märken på armaturen under installationen eller vid underhåll av armaturen.
- För att ta bort smuts och fläckar använder du följande:
  - Damm: använd endast mikrofiberdukar.
  - Fingeravtryck osv: använd ett rengöringsmedel för syntetiska material med antistatiska egenskaper.

## (NO) Sikkerhetsforholdsregler



- Dette produktet er Risikogruppe 3-gradert, i henhold til IEC 62471.
- **Advarsel:** UV-C-stråling fra dette produktet. Unngå øye - og hud -påvirkning fra ubeskyttet produkt. Følg installasjonsinstruksjoner og brukerveiledning.
- **Advarsel:** Våre UV -C-produkter er ikke ment å bli brukt i applikasjoner eller aktiviteter som kan forårsake og/eller føre til død, personlig skade og/eller skade på miljøet.
- **Advarsel:** Produktet er ikke laget for/eller ment å skulle brukes for desinfeksjon av medisinsk utstyr for medisinske bruksområder: Signify frasier seg alt ansvar i tilfelle av denne type feilaktige bruk.
- **Advarsel:** Produktet er ikke utstyrt med en sikkerhetsmekanisme og kan bare installeres og brukes i samsvar med en passende sikkerhetsmekanisme. Kunden er ansvarlig for å anskaffe og installere denne sikkerhetsmekanisme før produktet anvendes.
- **Advarsel:** Produktene er laget for/ment å skulle brukes i profesjonelle bruksområder. Produktene er ikke tiltenkt bruksområder i hos sluttbrukere eller i hjemmet.
- **Advarsel:** Planter kan bli påvirket av UV-C-stråling og noen planter er mer sensitive enn andre. I tester har Ficus Benjamina, Ficus Elastica "Robusta", Sansifera Laurentii og Peperomia Obtusifolia vist seg å ha stor motstandsdyktighet for UV-C. Slå av armaturene når desinfisering ikke er nødvendig.
- Lamper som inkluderer kvikksølv. Hvis en lampe knuses må rommet ventileres i 30 minutter og glasskår fjernes, fortrinnsvis ved bruk av handsker. Putt glasskårene i en forseglet plastpose og avlever til et lokalt avfallsanlegg for gjenvinning. Bruk ikke støvsuger. Følg Brukermanualen.
- Lampeenheten må installeres av en kvalifisert elektriker og koplet opp i henhold til de nyeste IEE elektriske forskrifter ell er nasjonale krav.
- Under installasjon eller vedlikehold på armaturet, bruk handsker som motvirker statisk elektrisitet for å unngå merker på armaturet.
- For å fjerne skitt og flekker, utfør følgende:
  - Støv; bruk utelukkende en mikrofiberklut.
  - Fingeravtrykk, etc.: bruk rengjørere for syntetiske materialer med antistatiske egenskaper.

## (ES) Precauciones de seguridad



- Este producto está clasificado en el Grupo de Riesgo 3, de conformidad con la norma IEC 62471.
- **¡Advertencia!** Este producto emite radiación UV-C. Evite la exposición de los ojos y la piel al producto no protegido. Siga las instrucciones de instalación y el manual del usuario.
- **¡Advertencia!** Nuestros productos UV -C no están destinados a ser utilizados en aplicaciones o actividades que puedan causar y/o provocar la muerte, lesiones personales y/o daños al medio ambiente.
- **¡Advertencia!** Este producto no está diseñado y/o destinado a ser utilizado para la desinfección de dispositivos médicos o con fines médicos; Signify excluye toda responsabilidad por un uso indebido.
- **¡Advertencia!** Este producto no está equipado con salvaguardias, por lo que sólo pueden instalarse y utilizarse aplicando las medidas de seguridad adecuadas. El cliente es responsable de adquirir e instalar dichas salvaguardias antes de utilizar el producto.
- **¡Advertencia!** Este producto está diseñado y destinado para su uso en aplicaciones profesionales. Este producto no está destinado para uso doméstico.
- **¡Advertencia!** Las plantas pueden verse afectadas por la radiación UV-C, si bien algunas plantas son más sensibles que otras. En nuestros ensayos, plantas como el Ficus Benjamina, Ficus Elastica "Robusta", Sansifera Laurengil y Peperomia Obtusifolia mostraron buena resistencia al UV-C. Apague las luminarias si no se necesita desinfección.
- Las lámparas contienen mercurio. Si se rompe una lámpara, ventile la habitación durante 30 minutos y retire los desechos, preferiblemente con guantes. Póngalos en una bolsa de plástico sellada y llévela a la instalación de residuos local para su reciclaje. No use una aspiradora. Por favor, siga el manual del usuario.
- La luminaria debe ser instalada por un electricista cualificado y el conexionado eléctrico se realizará de acuerdo con las últimas regulaciones eléctricas de la IEE o los requisitos nacionales.
- Durante la instalación o al realizar el mantenimiento de la luminaria, use guantes antiestáticos para evitar marcas en la luminaria.
- Para eliminar la suciedad y las manchas, use lo siguiente:
  - Polvo: utilice solamente paños de microfibra;
  - Huellas digitales, etc.: utilice un limpiador para materiales sintéticos con propiedades antiestáticas.



## (PT) Precauções de segurança



- Este produto está classificado no Grupo de Risco 3, de acordo com a norma IEC 62471.
- **Aviso!** A radiação UV-C é emitida pelo este produto. Evite a exposição dos olhos e da pele ao produto não protegido. Siga as instruções de instalação e o manual do utilizador.
- **Aviso!** Os nossos produtos UV-C não se destinam ao uso em aplicações ou atividades que possam causar e/ou levar à morte, ferimentos pessoais e/ou danos ao meio ambiente.
- **Aviso!** Produtos não projetados e / ou destinados a serem usados para desinfetar dispositivos médicos ou para fins médicos; Signify exclui toda e qualquer responsabilidade por qualquer uso impróprio.
- **Aviso!** Os produtos não são fornecidos com proteções e só podem ser instalados e usados em conexão com as proteções apropriadas. O cliente é responsável por adquirir e instalar as referidas proteções antes de usar o produto.
- **Aviso!** Os produtos são projetados e destinados ao uso em aplicações profissionais. Os produtos não se destinam ao uso em aplicações domésticas ou de consumo.
- **Aviso!** As plantas podem ser afetadas pela radiação UV-C, pelo que algumas plantas são mais sensíveis do que outras. Em testes Ficus Benjamina, Ficus Elastica "Robusta", Sansifera Laurentii e Peperomia Obtusifolia mostraram boa resistência aos UV-C. Desligue as luminárias quando não for necessária desinfeção.
- As lâmpadas contêm mercúrio. Se uma lâmpada quebrar, ventile a habitação por 30 minutos e remova os detritos, preferentemente com luvas. Coloque -os num saco plástico selante e leve -o para a instalação de resíduos local para reciclagem. Não use um aspirador de pó. Por favor, siga o manual do utilizador.
- A luminária deve ser instalada por um electricista qualificado e cabeada de acordo com os mais recentes regulamentos elétricos da IEE ou com os requisitos nacionais.
- Durante a instalação ou manutenção da luminária, use luvas antiestáticas para evitar marcas na luminária.
- Para remover sujeira e manchas, use o seguinte:
  - Pó: use apenas panos de microfibra;
  - Impressões digitais, etc.: use um limpador para materiais sintéticos com propriedades antiestáticas.



## (NL) Veiligheidsvoorschriften



- Dit product is geclassificeerd voor UV-C risicogroep 3, volgens IEC 62471.
- **Waarschuwing:** Dit product straalt UV-C uit. Vermijd blootstelling van de ogen en huid aan het onbeschermd product. Volg de installatie-instructies en de gebruikershandleiding.
- **Waarschuwing:** Onze UV-C-producten zijn niet bedoeld voor gebruik in toepassingen of activiteiten die de dood, persoonlijke letsels en/of schade aan het milieu kunnen veroorzaken of daartoe kunnen leiden.
- **Waarschuwing:** producten die niet zijn ontworpen en / of bedoeld om te worden gebruikt voor het desinfecteren van medische hulpmiddelen of voor medische doeleinden; Signify sluit elke aansprakelijkheid uit voor dergelijk oneigenlijk gebruik.
- **Waarschuwing:** Producten zijn niet voorzien van veiligheidsmaatregelen en mogen alleen worden geïnstalleerd en gebruikt in combinatie met de juiste veiligheidsmaatregelen. De klant is verantwoordelijk voor het aanschaffen en installeren van genoemde veiligheidsmaatregelen voordat het product wordt gebruikt.
- **Waarschuwing:** producten zijn ontworpen en bedoeld voor gebruik in professionele toepassingen. Producten zijn niet bedoeld voor gebruik in consumenten- of huishoudelijke toepassingen.
- **Waarschuwing:** Planten kunnen worden aangetast door UV-C-licht, waarbij sommige planten gevoeliger zijn dan andere. Bij proeven bleken Ficus Benjamina, Ficus Elastica "Robusta", Sansifera Laurentii en Peperomia Obtusifolia goed bestand tegen UV-C. Schakel armaturen uit wanneer geen desinfectie nodig is.
- De lampen bevatten kwik. Als een lamp breekt, verlucht de kamer dan gedurende 30 minuten en ve rwijder de scherven, bij voorkeur met handschoenen. Steek deze in een verzegelde plastic zak en neem deze naar je plaatselijk recyclingpunt. Gebruik geen stofzuiger. Volg de gebruikershandleiding a.u.b.
- De armatuur moet geïnstalleerd worden door een gekwalificeerde elektricien en moet aangesloten worden in overeenstemming met de nieuwste elektrische voorschriften van het IEE (Institution of Electrical Engineers) of de nationale voorschriften.
- Gebruik tijdens de installatie van de armatuur a.u.b. niet-statische handschoenen om sporen op de armatuur te vermijden.
- Gebruik het volgende om vuil en vlekken te verwijderen:
  - Stof: gebruik alleen microvezeldoeken.
  - Vingerafdrukken etc.: gebruik een schoonmaakmiddel voor synthetische materialen met antistatische eigenschappen.



## (IT) Precauzioni per la sicurezza



- Questo prodotto è classificato nel Gruppo di rischio 3 UV-C, a norma IEC 62471.
- **Avvertenza:** Questo prodotto emette radiazioni UV-C. Evitare l'esposizione di occhi e pelle al prodotto non schermato. Rispettare le istruzioni di installazione e il manuale operativo.
- **Avvertenza:** I nostri prodotti UV-C non devono essere utilizzati in applicazioni o attività che possono causare e/o comportare morte, lesioni personali e/o danni all'ambiente.
- **Avvertenza:** prodotti non progettati e / o destinati ad essere utilizzati per disinfettare dispositivi medici o per scopi medici; Signify esclude qualsiasi responsabilità per tale uso improprio.
- **Avvertenza:** i prodotti non sono dotati di sistemi di protezione e possono essere installati e utilizzati solo con sistemi di sicurezza e protezione adeguate. Il Cliente è responsabile della fornitura e dell'installazione di tali sistemi prima di utilizzare il Prodotto.
- **Avvertenza:** i prodotti sono progettati e destinati ad essere utilizzati in applicazioni professionali. I prodotti non sono destinati all'uso in applicazioni domestiche.
- **Avvertenza:** Le piante possono essere danneggiate dalla radiazione UV-C, alcune piante sono più sensibili di altre. Nei test fatti Ficus Benjamina, Ficus Elastica "Robusta", Sansifera Laurentii e Peperomia Obtusifolia hanno mostrato una buona resistenza ai raggi UV-C. Spegnerle le lampade quando non è necessaria la disinfezione.
- Le lampade contengono mercurio. Se una lampada si rompe, ventilare la stanza per 30 minuti e rimuovere i detriti preferibilmente indossando i guanti. Porre tali rifiuti in un sacchetto di plastica sigillato e portarli nelle strutture locali di smaltimento dei rifiuti per il riciclaggio. Non utilizzare un aspirapolvere. Seguire le istruzioni del manuale operativo.
- L'apparecchio deve essere installato da un elettricista qualificato e cablato in conformità alle più recenti normative elettriche IEE o ai requisiti nazionali.
- Durante l'installazione o la manutenzione dell'apparecchio, utilizzare guanti antistatici per evitare segni sull'apparecchio.
- Per rimuovere sporco e macchie agire come segue:
  - Polvere: utilizzare solo panni in microfibra
  - Impronte digitali, ecc.: utilizzare un detergente per materiali sintetici con proprietà antistatiche.



## (GR) Προληπτικά μέτρα ασφαλείας



- Αυτό το προϊόν έχει βαθμολογηθεί ως ομάδα κινδύνου UV-C 3, σύμφωνα με το IEC 62471.
- **Προειδοποίηση:** Αυτό το προϊόν εκπέμπει υπεριώδη ακτινοβολία Γ (UV-C). Αποφύγετε την έκθεση των ματιών και του δέρματος σε αθωράκιστο προϊόν. Ακολουθήστε τις οδηγίες εγκατάστασης και το εγχειρίδιο χρήστη.
- **Προειδοποίηση:** Τα προϊόντα μας με υπεριώδη ακτινοβολία Γ δεν προορίζονται για χρήση σε εφαρμογές ή δραστηριότητες που ενδέχεται να προκαλέσουν ή/και να οδηγήσουν σε θάνατο, σωματική βλάβη ή/και ζημιά στο περιβάλλον.
- **Προειδοποίηση:** Προϊόντα που δεν έχουν σχεδιαστεί ή / και προορίζονται να χρησιμοποιηθούν για την απολύμανση ιατρικών συσκευών ή για ιατρικούς σκοπούς. Η Signify αποκλείει οποιαδήποτε και κάθε ευθύνη για οποιαδήποτε τέτοια ακατάλληλη χρήση.



- **Προειδοποίηση:** Τα προϊόντα δεν διαθέτουν προστατευτικά μέτρα και μπορούν να εγκατασταθούν και να χρησιμοποιηθούν μόνο σε συνδυασμό με τα κατάλληλα προστατευτικά μέτρα. Ο Πελάτης είναι υπεύθυνος για την προμήθεια και εγκατάσταση των προαναφερόμενων διασφαλίσεων πριν από τη χρήση του Προϊόντος.
- **Προειδοποίηση:** Τα προϊόντα έχουν σχεδιαστεί και προορίζονται να χρησιμοποιηθούν σε επαγγελματικές εφαρμογές. Τα προϊόντα δεν προορίζονται για χρήση σε καταναλωτικές ή οικιακές εφαρμογές.



- **Προειδοποίηση:** Τα φυτά μπορούν να επηρεαστούν από την ακτινοβολία UV-C, όπου ορισμένα φυτά είναι πιο ευαίσθητα από άλλα. Στις δοκιμές Ficus Benjamina, ο Ficus Elastica "Robusta", η Sansifera Laurentii και η Peperomia Obtusifolia έδειξαν καλή αντοχή στην υπεριώδη ακτινοβολία. Απενεργοποιήστε τα φωτιστικά όταν δεν απαιτείται απολύμανση.
- Οι λαμπτήρες περιλαμβάνουν υδράργυρο. Εάν σπάσει ένας λαμπτήρας, αερίστε το δωμάτιο για 30 λεπτά και αφαιρέστε τα θραύσματα, κατά προτίμηση με γάντια. Βάλτε τα σε μια πλαστική σακούλα που κλείνει και μεταφέρετέ τα στις τοπικές εγκαταστάσεις αποβλήτων για ανακύκλωση. Μη χρησιμοποιείτε ηλεκτρική σκούπα. Ακολουθήστε το Εγχειρίδιο χρήστη.
- Η εγκατάσταση και η καλωδίωση του φωτιστικού σώματος πρέπει να γίνει από εξειδικευμένο ηλεκτρολόγο, σύμφωνα με του τελευταίους ηλεκτρολογικούς κανονισμούς του IEE (Ινστιτούτου Ηλεκτρολόγων Μηχανικών) ή τις εθνικές απαιτήσεις.
- Κατά τη διάρκεια της εγκατάστασης ή κατά τη συντήρηση του φωτιστικού, χρησιμοποιήστε αντιστατικά γάντια για να αποφύγετε τα σημάδια στο φωτιστικό.
- Για να αφαιρέσετε βρωμιά και κηλίδες, χρησιμοποιήστε τα ακόλουθα:
  - Σκόνη: χρησιμοποιείτε μόνο πανιά μικροϊνών.
  - Δακτυλικά αποτυπώματα κλπ.: χρησιμοποιήστε ένα καθαριστικό για συνθετικά υλικά με αντιστατικές ιδιότητες.

## (FR) Précautions de sécurité



- Conformément à CEI 62471, ce produit est classé dans le Groupe de risque 3 relatif aux UV-C.
- **Attention:** ce produit émet les UV-C. Évitez l'exposition des yeux et de la peau à un produit non protégé des rayonnements direct. Suivez les instructions d'installation et le Guide d'utilisateur.
- **Attention:** Nos produits UV-C ne sont pas destinés à être utilisés dans des applications ou des activités qui peuvent causer et/ou entraîner la mort, des blessures corporelles et/ou des dommages à l'environnement.
- **Attention:** Produits non conçus et/ou destinés à être utilisés pour désinfecter des dispositifs médicaux ou à des fins médicales ; Signify exclut toute responsabilité pour une telle utilisation incorrecte.



- **Attention:** Les produits ne sont pas dotés de mesures de protection et ne doivent être installés et utilisés qu'en cas de mise en oeuvre de mesures de protection des personnes appropriées. Le client est responsable de l'acquisition et de l'installation desdites protections avant d'utiliser le produit.
- **Attention:** Les produits sont conçus et destinés à être utilisés dans des applications professionnelles. Les produits ne sont pas destinés à être utilisés dans des applications grand public ou domestiques.
- **Attention:** Les plantes peuvent être affectées par les rayons UV-C, certaines plantes étant plus sensibles que d'autres. Dans les tests, Ficus Benjamina, Ficus Elastica "Robusta", Sansifera Laurentii et Peperomia Obtusifolia ont montré une bonne résistance aux UV-C. Éteignez les luminaires lorsqu'aucune désinfection n'est nécessaire.



- Les lampes contiennent du mercure. Si une lampe se casse, aérez la pièce pendant 30 minutes et éliminez les débris avec des gants. Mettez-les dans un sac en plastique fermé et apportez -les à votre centre local de traitement des déchets pour recyclage. N'utilisez pas d'aspirateur. Veuillez suivre le Guide d'utilisateur.
- Le luminaire doit être installé par un électricien qualifié et connecté conformément aux réglementations électriques en vigueur.
- Pendant l'installation ou la maintenance du luminaire, veuillez utiliser des gants antistatiques pour éviter les traces sur le luminaire.
- Pour éliminer la saleté et les taches, utilisez ce qui suit:
  - Poussière: utilisez uniquement des chiffons en microfibre.
  - Traces de doigts, etc.: utilisez un nettoyant aux propriétés antistatiques pour les matières synthétiques.

## (HU) Biztonsági óvintézkedések



- Az IEC 62471 szabvány szerint ennek a terméknek a besorolása: UV-C 3. kockázati csoport – magas kockázat.
- **Figyelmeztetés:** Ez a termék UV-C sugárzást bocsát ki. Ne tegye ki a szemét és bőrét árnyékolás nélküli terméknek. Kövesse a telepítési utasításokat és a felhasználói kézikönyvet.
- **Figyelmeztetés:** UV -C termékeink használata kerülendő minden olyan alkalmazásban vagy tevékenységben amelyek h alált, vagy személyi sérülést okozhatnak, vagy ilyenhez vezethetnek, illetve amelyek a környezet károsodását okozhatják, vagy ehhez vezethetnek.
- **Figyelmeztetés:** A termékek nem orvosi eszközök fertőtlenítésére, illetve nem orvosi felhasználásra lettek tervezve / készültek, így a Signify kizár minden és bármely felelősséget ami bármilyen nem megfelelő használatból ered.
- **Figyelmeztetés:** A termékek nincsenek ellátva biztonsági védelemmel, és kizárólag megfelelő védelmi eszközökhöz történő csatlakoztatással telepíthetők illetve használhatók. Az ilyen védelmi eszközök beszerzése illetve a Termékek használata előtti csatlakoztatása a vevő felelőssége.
- **Figyelmeztetés:** A termékek professzionális alkalmazásban történő felhasználásra lettek tervezve és készültek. A termékek nem lakossági illetve nem háztartási alkalmazásban történő felhasználásra készültek.
- **Figyelmeztetés:** A növényeket befolyásolhatja az UV-C sugárzás, így egyes növények érzékenyebbek, mint mások. A tesztekben a Ficus Benjamina, a Ficus Elastica „Robusta”, a Sansifera Laurentii és a Peperomia Obtusifolia jó ellenállást mutatott az UV-C hatással szemben. Kapcsolja ki a lámpatesteket, ha nincs szükség fertőtlenítésre.
- A lámpák higanyt tartalmaznak. Ha egy lámpa eltörik, szellőztesse a helyiséget 30 percig és (lehetőleg kesztyűben) távolítsa el az alkatrészeket. Helyezze őket egy lezárt műanyag zsákba és újrahasznosítás céljából adja le őket helyi hulladékfeldolgozó létesítményében. Ne használjon porszívót. Kérjük, kövesse a Felhasználói Kézikönyvet.
- A lámpatestet csak szakképzett villanyszerelő szerelheti fel, a vezetékeztést pedig a legfrissebb IEE villamossági rendelkezésekkel vagy az országban érvényes előírások szerint kell elvégezni.
- A lámpatest felszerelésekor vagy karbantartása során viseljen antisztatikus kesztyűt, hogy ne kerüljenek kéznyomok a lámpatestre.
- A piszok és a foltok eltávolításához kövesse az alábbi utasításokat:
  - Por: csak mikroszálas kendőt használjon.
  - Ujjlenyomatok, stb.: szintetikus anyagokhoz való és antisztatikus tulajdonságokkal rendelkező tisztítószer használjon.

## (PL) Środki ostrożności



- Ten produkt został zaklasyfikowany do Grupy Ryzyka UV-C 3 zgodnie z IEC 62471.
- **Ostrzeżenie:** Produkt emituje promieniowanie UV-C. Unikać ekspozycji oczu i skóry na promieniowanie nieosłoniętego produktu. Postępować zgodnie z instrukcjami montażu i obsługi.
- **Ostrzeżenie:** Nasze produkty UV-C nie są przeznaczone do stosowania w aplikacjach lub działaniach, które mogą spowodować i/lub doprowadzić do śmierci, obrażeń ciała i/lub szkód w środowisku.
- **Ostrzeżenie:** produkty, nie zostały zaprojektowane i nie są przeznaczone do dezynfekcji wyrobów medycznych lub do celów medycznych; Signify wyklucza jakkolwiek odpowiedzialność za takie niewłaściwe postępowanie.
- **Ostrzeżenie:** Produkty nie są wyposażone w zabezpieczenia i mogą być instalowane i używane tylko w połączeniu z odpowiednim systemem zabezpieczeń. Klient jest odpowiedzialny za nabycie i zainstalowanie tych zabezpieczeń przed użyciem Produktu.
- **Ostrzeżenie:** Produkty są zaprojektowane i przeznaczone do użytku w zastosowaniach profesjonalnych. Produkty nie są przeznaczone do użytku konsumenckiego lub domowego.
- **Ostrzeżenie:** Promieniowanie UV-C może wpływać na rośliny, a niektóre rośliny są bardziej wrażliwe niż inne. W testach rośliny: Ficus Benjamina, Ficus Elastica „Robusta”, Sansifera Laurentii i Peperomia Obtusifolia wykazały dobrą odporność na promieniowanie UV-C. Wyłączaj oprawy, gdy nie jest wymagana dezynfekcja., przez co niektóre rośliny są bardziej wrażliwe niż inne. W testach Ficus Benjamina, Ficus Elastica „Robusta”, Sansifera Laurentii i Peperomia Obtusifolia wykazały dobrą odporność na promieniowanie UV-C. Wyłączaj oprawy, gdy nie jest wymagana dezynfekcja.
- Lampy zawierają rtęć. Jeśli lampa rozbije się, należy przewietrzyć pomieszczenie przez 30 minut i usunąć rozbite elementy, najlepiej w rękawicach. Umieścić je w zamkniętej plastikowej torbie i zanieść do lokalnego punktu utylizacji odpadów w celu recyklingu. Nie używać odkurzacza. Postępować zgodnie z instrukcją obsługi.
- Oprawa powinna być montowana przez wykwalifikowanego elektryka i podłączana zgodnie z obowiązującymi przepisami elektrycznymi IEE lub wymaganiami krajowymi.
- Podczas montażu lub konserwacji oprawy należy używać rękawic antystatycznych, aby uniknąć powstania plam na oprawie.
- Aby usunąć brud i plamy, należy użyć:
  - Kurz: używać tylko ściereczek z mikrofibry.
  - Odciski palców itp.: używać środka czyszczącego do materiałów syntetycznych o właściwościach antystatycznych.

## (CZ) Bezpečnostní upozornění



- Tento výrobek je zařazený do rizikové skupiny 3 ultrafialového světla UV-C podle normy IEC 62471.
- **Varování:** Tento výrobek emituje UV-C záření. Vyvarujte se vystavení očí a pokožky nezastíněnému výrobku. Postupujte podle pokynů k instalaci a uživatelské příručky.
- **Varování:** Naše UV-C výrobky nejsou určeny k použití v aplikacích nebo činnostech, při kterých mohou způsobit a/nebo vést k úmrtí, zranění osob nebo poškození životního prostředí.
- **Varování:** Produkty nejsou určené k dezinfekci zdravotnických pomůcek nebo na lékařské účely; Společnost Signify se zřídka jakékoliv zodpovědnosti za jejich nesprávné použití.
- **Varování:** Výrobky nejsou opatřeny ochrannými pomůckami a mohou být instalovány a používány pouze ve spojení s příslušnými ochrannými prvky. Zákazník je odpovědný za obstarání a instalaci uvedených ochranných pomůcek před použitím produktu.
- **Varování:** Výrobky jsou navrženy a určeny k použití v profesionálních aplikacích. Výrobky nejsou určeny k použití ve spotřebitelských nebo domácích aplikacích.
- **Varování:** Rostliny mohou být ovlivněny UV-C zářením, přičemž některé rostliny jsou citlivější než jiné. V testech Ficus Benjamina, Ficus Elastica „Robusta“, Sansifera Laurentii a Peperomia Obtusifolia prokázaly dobrou odolnost vůči UV-C. Pokud není vyžadována žádná dezinfekce, vypněte svítidla.
- Lamps obsahují rtuť. Pokud lampa praskne, větrejte místnost po dobu 30 minut a části lampy odstraňte nejlépe pomocí rukavic. Vložte je do uzavíratelného plastového sáčku a odнесите je do místního zařízení pro sběr a recyklaci odpadu. Nepoužívejte vysavač. Postupujte podle uživatelské příručky.
- Svítidlo musí být instalováno kvalifikovaným elektrikářem a zapojeno v souladu s nejnovějšími elektrotechnickými předpisy nebo národními požadavky.
- Během instalace nebo při údržbě svítidla používejte rukavice bez statického náboje, abyste na svítidle nezanechali otisky.
- K odstranění nečistot a skvrn použijte následující prostředky:
  - Prach: používejte pouze utěrky z mikrovlákna.
  - Otisky prstů atd.: používejte čistič pro syntetické materiály s antistatickými vlastnostmi.



## (SK) Bezpečnostné opatrenia



- Tento výrobek je zaradený do rizikovej skupiny 3 ultrafialového svetla UV-C podľa normy IEC 62471.
- **Varovanie:** Tento výrobok vyžaruje ultrafialové svetlo UV-C. Zabráňte vystaveniu očí a pokožky pôsobeniu neodtieneného výrobku. Postupujte podľa návodu na inštaláciu a používateľskej príručky.
- **Varovanie:** Naše výrobky vyžarujúce ultrafialové svetlo UV-C nie sú určené na používanie ani činnosti, ktoré môžu spôsobiť smrť, zranenie osôb a prípadne poškodenie prostredia.
- **Varovanie:** Produkty nie sú určené na dezinfekciu zdravotníckych pomôcok a/alebo na lekárske účely; a tak spoločnosť Signify vylučuje akúkoľvek zodpovednosť za ich nesprávne použitie.
- **Varovanie:** Výrobky nie sú chránené z hľadiska bezpečnosti a môžu sa inštalovať alebo používať iba ich pripojením k príslušným ochranným zariadeniam. Zákazník je zodpovedný za získanie týchto ochranných prostriedkov alebo za pripojenie výrobkov pred ich použitím.
- **Varovanie:** Výrobky sú navrhnuté a určené na použitie v profesionálnych aplikáciách. Výrobky nie sú určené na použitie v spotrebiteľských alebo domácich aplikáciách.
- **Varovanie:** Niektoré rastliny môžu reagovať na UV-C žiarenie citlivejšie ako iné. V testoch rastliny Ficus Benjamina, Ficus Elastica "Robusta", Sansifera Laurentii a Peperomia Obtusifolia preukázali dobrú odolnosť voči UV-C. V prípade, že neprebíha dezinfekcia, vypnite svietidlá.
- Lamps obsahujú ortuť. Ak sa lampa rozbije, 30 minút miestnosť vetrajte a odstráňte časti lampy (pokiaľ možno s použitím rukavíc). Vložte ich do uzavretého plastového vrečka a odveďte ich do miestnej zberne odpadu na recykláciu. Nepoužívajte vysávač. Postupujte podľa používateľskej príručky.
- Svietidlo by mal namontovať kvalifikovaný elektrikár a malo by byť zapojené v súlade s najnovšími smernicami IEE týkajúcimi sa elektrických systémov alebo s národnými požiadavkami.
- Počas inštalácie alebo údržby svietidla používajte antistatické rukavice, aby ste na svietidle nezanechali stopy.
- Pri odstraňovaní nečistôt a škvŕn postupujte takto:
  - Prach: Používajte len handričky z mikrovlákna.
  - Odtlačky prstov a pod.: Používajte čistiace prostriedky na syntetické materiály s antistatickými účinkami.



## (BG) Предпазни мерки за безопасност



- Този продукт е с рейтинг UV-C Risk Group 3, според IEC 62471.
- **Предупреждение:** Този продукт излъчва UV-C лъчи. Избягвайте контакт с очите и кожата, ако продуктът не е безопасен. Следвайте инструкциите за монтаж и ръководството за употреба.
- **Предупреждение:** Нашите UV-C продукти не са предназначени за използване в приложения или дейности, които могат да причинят и/или да доведат до смърт, телесни наранявания и/или замърсяване на околната среда.
- **Предупреждение:** Продуктите не са проектирани и / или не са предназначени за дезинфекция на медицински изделия или за медицински цели; Signify не поема каквато и да е отговорност за такова неправилно използване.
- **Предупреждение:** Продуктите не са снабдени със защитни мерки (сензор, реле и др.) и могат да бъдат инсталирани и използвани само със съответните такива. Клиентът е отговорен за осигуряването и инсталирането на посочените защитни мерки, преди да използва Продукта.
- **Предупреждение:** Продуктите са проектирани и предназначени за използване в професионални приложения. Продуктите не са предназначени за употреба в потребителски или домакински приложения.
- **Предупреждение:** Растенията може да бъдат увредени от UV-C радиацията, като някои растения са по-чувствителни от други. При тестове Ficus Benjamina, Ficus Elastica "Robusta", Sansifera Laurentii и Peperomia Obtusifolia показват добра устойчивост към UV-C. Изключвайте UV-C телата, когато няма нужда от дезинфекция.
- Лампите съдържат живак. При счупване на лампа, проветрете стаята за 30 минути и отстранете частите, за предпочитане с ръкавици. Поставете ги в запечатан найлонов плик и ги занесете в местните съоръжения за рециклиране на отпадъци. Не използвайте прахосмукачка. Моля, следвайте ръководството за употреба.
- Осветителното тяло трябва да бъде монтирано от квалифициран електротехник и окабелено в съответствие с най-новите електрически разпоредби IEE или националните изисквания.
- По време на монтажа или при поддържане на осветителното тяло, използвайте ръкавици без статично електричество, за да избегнете оставянето на белези по осветителното тяло.
- За отстраняване на замърсявания и петна използвайте следното:
  - Прах: използвайте само микрофибърни кърпи.
  - Отпечатьци и др.: използвайте почистващ препарат за синтетични материали с антистатични свойства.

## (HR) Mjere opreza



- Ovaj proizvod svrstava se u 3. rizičnu skupinu od UV-C zračenja prema normi IEC 62471.
- **Upozorenje:** Proizvod emitira UV-C svjetlo. Izbjegavajte izlaganje očiju i kože proizvodu bez zaštitnog štita. Slijedite upute za ugradnju i korisnički priručnik.
- **Upozorenje:** Naši proizvodi s UV-C svjetlom nisu namijenjeni za uporabu u primjenama i aktivnostima koje mogu uzrokovati i/ili dovesti do smrti, tjelesnih ozljeda i/ili štete za okoliš.
- **Upozorenje:** Proizvodi nisu dizajnirani niti namijenjeni za dezinfekciju medicinskih proizvoda niti u medicinske svrhe; Signify isključuje bilo kakvu odgovornost za takvu nepravilnu upotrebu.
- **Upozorenje:** Proizvodi nemaju zaštitu i mogu se instalirati i koristiti samo u skladu s odgovarajućim zaštitnim mjerama. Kupac je odgovoran za nabavu i instaliranje navedenih zaštitnih sredstava prije upotrebe Proizvoda.
- **Upozorenje:** Proizvodi su dizajnirani i namijenjeni za upotrebu u profesionalne svrhe. Proizvodi nisu namijenjeni za kućnu upotrebu.
- **Upozorenje:** Na biljke može utjecati UV-C zračenje, pri čemu su neke biljke osjetljivije od drugih. Testiranjem su Ficus Benjamina, Ficus Elastica "Robusta", Sansifera Laurentii i Peperomia Obtusifolia pokazali dobru otpornost na UV-C. Isključite svjetiljke kad nije potrebna dezinfekcija.
- Žarulje sadrže živu. Ako se žarulja razbije, prozračite prostoriju 30 minuta i uklonite sve dijelove, po mogućnosti noseći rukavice. Stavite dijelove u plastičnu vrećicu, zatvorite ju i odnesite na lokalno mjesto za gospodarenje otpadom radi recikliranja. Ne upotrebljavajte usisavač za prašinu. Pridržavajte se korisničkog priručnika.
- Rasvjetno tijelo mora ugraditi kvalificirani električar i mora biti spojeno u skladu s najnovijim uredbama o električnoj energiji u okviru programa IEE ili nacionalnim zahtjevima.
- Tijekom ugradnje i održavanja rasvjetnog tijela upotrebljavajte antistatičke rukavice da ne biste ostavljali mrlje.
- Za uklanjanje prljavštine i mrlja upotrebljavajte sljedeće:
  - prašina: upotrebljavajte samo tkaninu od mikrovlakana.
  - otisci prstiju itd.: upotrebljavajte sredstvo za čišćenje za sintetičke materijale s antistatičkim svojstvima.

## (EE) Ohutusabinõud



- See toode kuulub UV-C-kiirguse ohugruppi 3, vastavalt standardile IEC 62471.
- **Hoiatus:** see toode kiirgab UV-C kiirgust. Vältige varjestamata toote kokkupuutumist silmade või nahaga. Järgige paigaldusjuhiseid ja kasutusjuhendit.
- **Hoiatus:** Meie UV-C tooted pole mõeldud kasutamiseks rakendustes või tegevustes, mis võivad põhjustada surma, vigastusi ja/või keskkonnakahjustusi.
- **Hoiatus:** ei tohi kasutada tooteid, mis pole mõeldud desinfitseerimiseks meditsiiniseadmetes või pole mõeldud kasutamiseks meditsiinilistel eesmärkidel; Signify välistab igasuguse vastutuse sellise väära kasutamise eest.
- **Hoiatus:** Tooted ei ole varustatud kaitsemeetmetega. Paigaldada ja kasutada kooskõlas asjakohaste kaitsemeetmetega. Klient vastutab nimetatud kaitsemeetmete hankimise ja paigaldamise eest enne toote kasutamist.
- **Hoiatus:** tooted on loodud ja mõeldud kasutamiseks professionaalsetes rakendustes. Tooted ei ole mõeldud kasutamiseks tarbijate või kodumajapidamiste jaoks.
- **Hoiatus:** UV-C kiirgus võib taimi mõjutada, kusjuures mõned taimed on tundlikumad kui teised. Testides näitasid Ficus Benjamina, Ficus Elastica “Robusta”, Sansifera Laurentii ja Peperomia Obtusifolia head vastupidavust UV-C kiirguse suhtes. Kui desinfitseerimine pole vajalik, lülitage valgustid välja.
- Lambid sisaldavad elavhõbedat. Kui lamp puruneb, õhutage ruumi vähemalt 30 minutit ja eemaldage katkised osad, soovitatavalt kinnas tega. Pange need suletud kilekotti ja viige kohaliku jäätmete kogumispunkti. Ärge kasutage tolmuimejat. Järgige kasutusjuhendit.
- Valgusti peab paigaldama kvalifitseeritud elektrik ning juhtmed tuleb ühendada vastavalt uusimatele elektrimäärustele või riiklikele nõuetele.
- Valgusti paigaldamise või hooldamise ajal kasutage antistaatilisi kindaid, vältimaks plekkide tekkimist valgustil.
- Mustuse ja plekkide eemaldamiseks kasutage järgmisi vahendeid:
  - Tolm: ainult mikrokiudlapid.
  - Näpujäljed jne; kasutage sünteetiliste materjalide puhastusvahendeid, millel on antistaatilised omadused.

## (LV) Drošības pasākumi



- Šis izstrādājums ir klasificēts UV-C starojuma 3. riska grupā saskaņā ar IEC 62471.
- **Brīdinājums:** Šis izstrādājums izdala UV-C starojumu. Izvairieties no neaizsegta izstrādājuma iedarbības uz acīm un ādu. Ievērojiet uzstādīšanas instrukcijas un lietotāja rokasgrāmatu.
- **Brīdinājums:** Mūsu UV-C izstrādājumi nav paredzēti tādai lietošanai vai darbībām, kas var izraisīt un/vai novest pie nāves, ievainojumiem un/vai kaitējuma videi.
- **Brīdinājums:** izstrādājumi nav paredzēti un / vai domāti izmantošanai medicīnas ierīču dezinfekcijai vai medicīniskiem mērķiem; “Signify” izslēdz jebkādu atbildību par sekojošu nepareizu izmantošanu.
- **Brīdinājums:** izstrādājumi neiet komplektā ar aizsargierīcēm, un tos drīkst uzstādīt un lietot tikai sekojot atbilstošajiem drošības pasākumiem. Klients ir atbildīgs par minēto aizsargierīču iegādi un uzstādīšanu pirms produkta lietošanas.
- **Brīdinājums:** produkti ir izstrādāti un paredzēti lietošanai profesionālajos nolūkos. Produkti nav paredzēti lietošanai patērētājiem vai mājāsaimniecībām.
- **Brīdinājums:** Augi var būt ietekmēti ar UV-C starojumu, un daži augi ir jutīgāki nekā citi. Testos Ficus Benjamina, Ficus Elastica “Robusta”, Sansifera Laurentii un Peperomia Obtusifolia izrādīja labu izturību pret UV-C. Izslēdziet gaismekļus, kad dezinfekcija nav nepieciešama
- Lampas satur dzīvsudrabu. Ja spuldze saplīst, 30 minūtes vēdiniet telpu un savāciet spuldzes daļas, vēlams ar cimdiem. Ielieciet tās aizspiežamā plastmasas maisiņā un nogādājiet vietējā atkritumu apsaimniekošanas objektā pārstrādei. Neizmantojiet putekļsūcēju. Lūdzu, ievērojiet norādījumus lietotāja rokasgrāmatā.
- Gaismekli ir jāuzstāda kvalificētam elektriķim, un to elektriskajam slēgumam ir jāatbilst jaunākajiem SEE noteikumiem par elektrību vai valsts prasībām.
- Uzstādot gaismekli vai veicot tā apkopi, lūdzu, izmantojiet antistatiskus cimdus, lai neatstātu pēdas uz gaismekļa.
- Lai notīrītu netīrumus un plankumus, izmantojiet tālākos līdzekļus:
  - Putekļi: izmantojiet tikai mikrošķiedru lupatiņas.
  - Pirkstu nospiedumi utt.: izmantojiet sintētisko materiālu tīrīšanas līdzekli ar antistatiskām īpašībām.



## (LT) Atsargumo priemonės



- Šis produktas priskiriamas UV-C rizikos grupei 3 pagal IEC 62471.
- **Įspėjimas:** Šis produktas išskiria ultravioletinius spindulius. Venkite bet kokio poveikio akims ir odai dėl neapsaugoto produkto. Vadovaukitės montavimo instrukcijomis ir vartotojo vadovu.
- **Įspėjimas:** Mūsų UV-C produktai neturi būti naudojami įrangoje, prietaisuose ar veikloje, kuri gali sukelti ir (arba) prisidėti prie mirties, asmeninems traumoms ir (arba) žalos aplinkai.
- **Įspėjimas:** Produktai nesukurti ir/arba neskirti dezinfekuoti medicinos prietaisus bei naudoti medicinos tikslais; Signify nepriima jokios atsakomybės bei įsipareigojimų dėl tokio netinkamo naudojimo.
- **Įspėjimas:** Produktai neturi jokių saugos priemonių ir turi būti montuojami bei naudojami tik su atitinkamomis saugos priemonėmis. Klientas yra atsakingas už tinkamų saugos priemonių įsigijimą ir įdiegimą prieš pradėdamas naudoti produktą.
- **Įspėjimas:** Produktai sukurti ir skirti naudoti tik profesionaliai. Produktai nėra skirti naudoti buitiniams/mažiems vartotojams ar namų ūkiams.
- **Įspėjimas:** UV-C spinduliuotė gali paveikti augalus. Kai kurie augalai yra jautresni už kitus. Tyrimai atlikti su Ficus Benjamina, Ficus Elastica "Robusta", Sansifera Laurentii and Peperomia Obtusifolia parodė gerą atsparumą UV-C. Išjunkite šviestuvus, kai nereikia dezinfekuoti.
- Lempų sudėtyje yra gyvsidabrio. Sudužus lempos, vėdinkite patalpą ne trumpiau nei 30 min. ir apsauginėmis pirštinėmis pašalinkite lempos dalis. Įdėkite jas į sandarų plastikinį maišelį ir nugabenkite į vietinę atliekų perdirbimo įmonę. Nenaudokite dulkių siurblio. Prašome laikytis Vartotojo vadovo reikalavimų.
- Šviestuvą turi sumontuoti ir prijungti prie elektros kvalifikuotas elektrikas pagal naujausius IEE elektros.
- įrangos bei nacionalinius reikalavimus.
- Montuodami ar atlikdami šviestuvo techninį aptarnavimą, turite naudoti antistatinės pirštines, kad ant šviestuvo neliktų pirštų anspaudų žymių.
- Norėdami nuvalyti purvą ir dėmes, atlikite šiuos veiksmus:
  - Dulksės: naudokite tik mikropluošto audinius.
  - Norėdami nuvalyti pirštų atspaudus ir t. t.: naudokite sintetinių medžiagų valiklį su antistatinėmis savybėmis.

## (RO) Măsuri de precauție



- Acest produs este clasificat în Grupul de risc 3 UV-C (radiații ultraviolete), în conformitate cu IEC 62471.
- **Avertisment:** Acest produs emite radiații ultraviolete UV-C. Evitați expunerea ochilor și pielii la produsul neprotejat. Respectați instrucțiunile de instalare și manualul de utilizare.
- **Avertisment:** Produsele noastre cu UV-C nu sunt destinate utilizării în aplicații sau activități care pot cauza și/sau conduce la decese, răni și/sau daune pentru mediul înconjurător.
- **Avertisment:** Produsele nu sunt destinate pentru a fi folosite la dezinfectarea echipamentelor medicale sau în alte scopuri medicale; Signify exclude orice răspundere și toate obligațiile survenite în urma folosirii necorespunzătoare.
- **Avertisment:** Produsele nu sunt livrate cu garanții de protecție și pot fi instalate și utilizate numai cu respectarea măsurilor de protecție corespunzătoare. Cumpărătorul este responsabil pentru achiziționarea și instalarea în conformitate cu măsurile de protecție menționate, înainte de a utiliza Produsul.
- **Avertisment:** Produsele sunt proiectate pentru utilizarea în aplicații și soluții profesionale. Acestea nu sunt destinate uzului casnic.
- **Avertisment:** Plantele pot fi afectate de radiațiile UV-C, iar unele plante sunt mai sensibile decât altele. La teste Ficus Benjamina, Ficus Elastica „Robusta”, Sansifera Laurentii și Peperomia Obtusifolia au prezentat o rezistență bună la UV-C. Opriti corpurile de iluminat atunci când nu este necesară dezinfectarea.
- Lămpile conțin mercur. Dacă lampa se sparge, ventilați încăperea timp de 30 de minute și înlăturați bucată preferabil cu mănuși. Puneți -le într -o pungă de plastic sigilată și duceți -o la facilitatea de reciclare a deșeurilor locală. Nu utilizați aspiratorul. Vă rugăm să respectați instrucțiunile din Manualul de utilizare.
- Corpul de iluminat va fi instalat de un electrician calificat și cablat în conformitate cu cele mai recente reglementări electrice EE sau cu cerințele naționale.
- În timpul instalării sau întreținerii corpului de iluminat, vă rugăm să utilizați mănuși antistatice pentru a evita lăsarea urmelor pe corpul de iluminat.
- Pentru a îndepărta murdăria și petele utilizați următoarele echipamente:
  - Praf: utilizați numai cârpe din microfibră.
  - Amprente etc.: utilizați un agent de curățare pentru materiale sintetice cu proprietăți antistatice.

## (FI) Turvatoimet



- Tämä tuote kuuluu IEC 62471 -standardin UV-C-riskiryhmä 3:een.
- **Varoitus:** Tästä tuotteesta lähtee UV -C-säteilyä. Vältä silmien ja ihon altistumista suojaamattom tuotteelle. Seuraa asennus- ja käyttöohjeita.
- **Varoitus:** UV-C-tuotteitamme ei ole tarkoitettu käytettäväksi tavoilla, jotka voivat aiheuttaa ja/tai johtaa kuolemaan, henkilövahinkoihin ja/tai vahingoittaa ympäristöä.
- **Varoitus:** tuotteita ei ole tarkoitettu käytettäväksi lääketieteellisten laitteiden desinfiointiin tai lääketieteellisiin tarkoituksiin. Signify ei ole vastuussa epäsopivasta käytöstä.
- **Varoitus:** tuotteita ei toimiteta suojien kanssa. Tuotteiden käyttö ja asentaminen saattaa edellyttää sopivan suojauksen asentamista. Asiakas on vastuussa suojauksen asentamisesta ja hankkimisesta ennen tuotteiden käyttöä.
- **Varoitus:** tuotteet on suunniteltu käytettäväksi ammattisovelluksissa. Tuotteita ei ole tarkoitettu käytettäväksi yksittäisten kuluttajien käyttökohteissa.
- **Varoitus:** Jotkut kasvit saattavat olla herkempiä UV-C-säteilylle. Limoviikuna, kumiviikuna, isoanopinkieli ja amerikanmuori ovat osoittautuneet kestävästi hyvin UV-C-säteilyä. Sammuta valaisimet, kun desinfioinnille ei ole tarvetta.
- Lamput sisältävät elohopeaa. Jos lamppu rikkoutuu, tuuleta huonetta 30 minuutin ajan ja poista rikkoutune osat, mieluiten käsineillä. Laita ne suljettavaan muovipussiin ja vie se paikalliseen jätehuoltoon kierrätettäväksi. Älä käytä pölynimuria. Seuraa käyttöohjeita.
- Valaisimen tulee asentaa pätevä sähköasentaja ja johdotus tulee suorittaa viimeisimpien IEE sähkömääräysten tai kansallisten vaatimusten mukaisesti.
- Valaisimen asennuksen tai huoltamisen aikana, käytä antistaattisia käsineitä, jotta välttäisit valaisimen tahrimisen.
- Lian ja tahrojen poistamiseen menettele seuraavasti:
  - Pöly: käytä vain mikrokuitukankaita.
  - Sormenjäljet jne.: Käytä synteettisille materiaaleille tarkoitettua puhdistusainetta, jolla on antistaattisia ominaisuuksia.

## (SI) Varnostni ukrepi



- Ta izdelek je uvrščen v UV-C rizično skupino skupino 3, v skladu z IEC 62471
- **Opozorilo:** Ta izdelek oddaja UV-C svetlobo. Ne izpostavljajte kože in ne glejte v nezaščiten izdelek. Sledite navodilom za montažo in uporabniškimi navodilom.
- **Opozorilo:** Naši UV-C izdelki niso namenjeni uporabi v aplikacijah ali dejavnostih, kjer lahko povzročijo in/al privedejo do smrti, telesnih poškodb in/ali škodo okolju.
- **Opozorilo:** Izdelki niso zasnovani in / ali namenjeni za razkuževanje medicinskih pripomočkov ali za medicinske namene; Signify izključuje vso odgovornost za kakršno koli neprimerno uporabo.
- **Opozorilo:** Izdelki nimajo zaščite in jih je mogoče namestiti in uporabljati samo v povezavi z ustreznimi zaščitnimi sredstvi. Stranka je odgovorna za nabavo in namestitev omenjenih zaščitnih sredstev pred uporabo izdelka.
- **Opozorilo:** Izdelki so zasnovani in namenjeni za profesionalno uporabo. Izdelki niso namenjeni za domačo uporabo.
- **Opozorilo:** UV-C sevanje lahko vpliva na rastline, pri čemer so nekatere rastline bolj občutljive kot druge. Na testih so Ficus Benjamina, Ficus Elastica "Robusta", Sansifera Laurentii in Peperomia Obtusifolia pokazali dobro odpornost na UV-C. Izključite svetilke, kadar razkuževanje ni potrebno.
- Sijalke vsebujejo živo srebro. Če se razbije sijalka, prezračite za vsaj 30 minut in dele odstranite z rokavicami. Položite jih v plastično vrečkojih neprodušno zaprite in jih odnesite v lokalne odpadne prostore na recikliranje. Ne uporabljajte sesalnika. Upoštevajte navodila za uporabo.
- Svetilko mora vgraditi usposobljen električar in jo ožičiti v skladu z najnovejšimi električnimi predpisi EEE ali nacionalnimi zahtevami.
- Med namestitvijo ali pri vzdrževanju svetilke uporabite antistatične rokavice, da se izognete madežem na svetilki.
- Za odstranjevanje umazanije in madežev uporabite naslednje:
  - Prah: uporabljajte samo krpe iz mikro vlaken
  - Prstni odtisi itd.: uporabljajte čistilo za sintetične materiale z antistatičnimi lastnostmi.

## (RS) Mere opreza



- Ovaj proizvod spada u 3. grupu rizika od UV-C zračenja, prema IEC 62471 IEC 62471 standardu.
- **Upozorenje:** Proizvod emituje UV-C svetlo. Izbegavati izlaganje očiju i kože proizvodu koji nema zaštitni štiti. Slediti uputstvo za ugradnju i korisnički priručnik.
- **Upozorenje:** Naši UV-C proizvodi nisu namenjeni za upotrebu u primenama i aktivnostima koje mogu uzrokovati i/ ili dovesti do smrti, telesnih povreda i/ili štete za okolinu.
- **Upozorenje:** Proizvod nije napravljen niti predviđen za dezinfekciju medicinskih uređaja niti u medicinske svrhe; Signify se odriče svake odgovornosti za bilo kakvu nepravilnu upotrebu.
- **Upozorenje:** Proizvodi nisu isporučeni sa zaštitom i mogu se instalirati i koristiti samo u skladu sa propisanim zaštitama. Kupac snosi odgovornost za nabavku i instaliranje pomenutih zaštita pre puštanja Proizvoda u rad.
- **Upozorenje:** Proizvodi su napravljeni i namenjeni za primenu u profesionalne svrhe. Proizvodi nisu namenjeni za kućnu upotrebu.
- **Upozorenje:** UV-C zračenje može uticati na neke biljke koje su osetljivije od ostalih. Testiranjem su Ficus Benjamina, Ficus Elastica "Robusta", Sansiferia Laurentii i Peperomia Obtusifolia pokazale dobru otpornost na UV-C. Isključite svetiljke kada dezinfekcija nije potrebna.
- Sijalice sadrže živu. Ako se sijalica razbije, izvetrite prostoriju 30 minuta i uklonite sve delove, po mogućnosti noseći rukavice. Stavite delove u plastičnu vrećicu, zatvorite je i odnesite na lokalno mesto za upravljanje otpadom radi recikliranja. Ne upotrebljavajte usisivač. Pridržavajte se korisničkog priručnika.
- Svetiljku mora da ugradi kvalifikovani električar i mora biti povezana u skladu s najnovijim odredbama o električnoj energiji u okviru programa IEE ili prema nacionalnim propisima.
- Tokom ugradnje i održavanja svetiljke koristiti antistatičke rukavice kako ne bi ostajale fleke.
- Za uklanjanje prljavštine i fleka koristiti sledeće:
  - Za prašinu: koristiti samo mikro-fiber krpu.
  - Za otiske prstiju, itd.: koristiti sredstvo za čišćenje za sintetičke materijale sa antistatičkim karakteristikama.

## (RU) Меры безопасности



- Светильник имеет класс Группа 3 для опасности УФ-С в соответствии с IEC 62471.
- **Предупреждение:** Светильник производит УФ-С излучение. Избегайте воздействия неэкранированного светильника на глаза и кожу. Следуйте инструкциям по установке и указаниям в руководстве пользователя.
- **Предупреждение:** Наши бактерицидные УФ-светильники не предназначены для использования в приложениях или видах деятельности, которые могут привести к смерти, травмам и/или повреждению окружающей обстановки.
- **Предупреждение:** Продукты не предназначены и не спроектированы для использования в дезинфекции медицинских устройств/приборов или для медицинских целей; Сигнифай снимает с себя ответственность за применение продуктов в этих областях.
- **Предупреждение:** продукты поставляются без системы защиты и могут быть установлены и использованы только совместно с правильными системами защиты. Потребитель является ответственным лицом за приобретение и установку надлежащих средств защиты для данного Продукта.
- **Предупреждение:** Продукты спроектированы и предназначены для профессионального применения. Продукты не предназначены для потребительского или домашнего применения.
- **Предупреждение:** На растения может воздействовать УФ-С излучение, в результате чего одни растения более чувствительны, чем другие. В тестах фикус Бенджамина, фикус Эластика «Робуста», Сансевиерия трёхполосная и Пеперомия туполистная показали хорошую устойчивость к УФ-С. Выключайте светильники, если дезинфекция не требуется.
- В лампах содержится ртуть. В случае механического повреждения лампы проветрите помещение в течение 30 минут и снимите детали; при этом рекомендуется использовать перчатки. Поместите детали в запечатанный полиэтиленовый пакет и отнесите его в местное предприятие по переработке отходов. Не используйте пылесос. Следуйте указаниям в руководстве пользователя.
- Светильник должен устанавливаться квалифицированным электриком и подключаться в соответствии с последними электрическими правилами или национальными требованиями.
- Во время установки или при обслуживании светильника используйте антистатические перчатки, чтобы не оставлять на нем следов.
- Для удаления грязи и пятен используйте следующие средства:
  - Пыль: используйте только ткани из микроволокна.
  - Отпечатки пальцев и т. д.: используйте очиститель для синтетических материалов с антистатическими свойствами.

## (DE) Sicherheitshinweise



- Bei diesem Produkt handelt es sich um ein Produkt der UV-C-Risikogruppe 3 nach IEC 62471.
- **Achtung:** dieses Produkt emittiert UV-C-Strahlung! Setzen Sie Ihre Augen und Haut nicht dem ungesicherten Produkt aus! Befolgen Sie die Installationsanleitung und das Benutzerhandbuch.
- **Achtung:** Unsere UV -C-Produkte sind nicht für Anwendungen und Tätigkeiten bestimmt, die den Tod, körperliche Verletzungen und/oder Umweltschäden verursachen bzw. dazu führen können.
- **Achtung:** Die Produkte sind nicht für die Desinfektion von medizinischen Geräten oder für medizinische Zwecke konzipiert oder vorgesehen; Signify schließt jegliche Haftung für eine solche unsachgemäße Verwendung aus.
- **Achtung:** Die Produkte werden nicht mit zusätzlichen Schutzvorrichtungen geliefert und dürfen nur in Verbindung mit den entsprechenden Schutzvorrichtungen installiert und verwendet werden. Der Kunde ist dafür verantwortlich, diese Schutzvorrichtungen vor der Verwendung des Produkts zu beschaffen und zu installieren.
- **Achtung:** Die Produkte sind für den Einsatz in professionellen Anwendungen konzipiert und vorgesehen. Die Produkte sind nicht für den Einsatz in Konsumenten- oder Haushaltsanwendungen gedacht.
- **Achtung:** Pflanzen können durch UV-C-Strahlung geschädigt werden, wobei einige Pflanzen empfindlicher sind als andere. In Tests zeigten Ficus Benjamina, Ficus Elastica "Robusta", Sansifera Laurentii und Peperomia Obtusifolia eine gute Beständigkeit gegen UV-C. Schalten Sie die Leuchten aus, wenn keine Desinfektion erforderlich ist.
- Die Lampen enthalten Quecksilber. Wird eine Lampe beschädigt, lüften Sie den Raum für 30 Minuten und beseitigen die Teile, vorzugsweise mit Handschuhen. Geben Sie die Teile in eine verschließbare Plastiktüte und entsorgen diese bei Ihrer örtlichen Recyclingstelle. Benutzen Sie keinen Staubsauger! Befolgen Sie das Benutzerhandbuch.
- Die Leuchte muss von einer qualifizierten elektrischen Fachkraft installiert und gemäß den neuesten IEE - Vorschriften bzw. nationalen Vorschriften angeschlossen werden.
- Beim Einbau und bei der Wartung der Leuchte benutzen Sie statikfreie Handschuhe, um Flecken auf der Leuchte zu vermeiden.
- Um Schutz und Flecken zu beseitigen, benutzen Sie folgende Mittel:
  - Staub: ausschließlich Mikrofasertücher,
  - Fingerabdrücke usw.: Reinigungsmittel für synthetische Stoffe mit antistatischen Eigenschaften.

## (TR) Güvenlik önlemleri



- Bu ürün IEC 62471 uyarınca UV-C Risk Grubu 3 olarak sınıflandırılmıştır.
- **Uyarı:** Bu üründen yayılan UV-C. Gözün ve cildin muhafazasız ürüne maruz kalmasından kaçınınız. Kurulum talimatına ve kullanım kılavuzuna riayet edin.
- **Uyarı:** UV-C ürünlerimizin ölüme, insan yaralanmasına ve/veya çevre zararına neden olabilecek ve/veya yol açabilecek uygulamalarda veya faaliyetlerde kullanılması planlanmamıştır.
- **Uyarı:** Bu ürünler tıbbi cihazları dezenfekte etmek için veya tıbbi amaçlar için tasarlanmamış ve / veya kullanılması amaçlanmamıştır; Signify, bu tür uygunsuz kullanımlara ilişkin her türlü sorumluluktan muaftır.
- **Uyarı:** Ürünler, koruma önlemleri ile sunulmaz ve yalnızca uygun korumalarla bağlantılı olarak kurulabilir ve kullanılabilir. Müşteri, Ürünü kullanmadan önce söz konusu koruyucuları temin etmek ve kurmaktan sorumludur.
- **Uyarı:** Ürünler profesyonel uygulamalarda kullanılmak üzere tasarlanmış ve amaçlanmıştır. Ürünler, tüketici veya ev uygulamalarında kullanılmak üzere tasarlanmamıştır.
- **Uyarı:** Bitkiler UV-C radyasyonundan etkilenebilir, bu nedenle bazı bitkiler diğerlerinden daha hassastır. Ficus Benjamina, Ficus Elastica "Robusta", Sansifera Laurentii ve Peperomia Obtusifolia türleri testlerde UV-C'ye karşı oldukça iyi direnç göstermiştir. Dezenfeksiyon gerekmediğinde armatürleri kapatınız.
- Lambalar cıva içerir. Bir lamba kırılırsa odayı 30 dakika havalandırınız ve parçaları, tercihen eldivenle uzaklaştırınız. Parçaları kapalı bir plastik torbaya koyunuz ve geri dönüşüm için yerel atık tesislerinize götürünüz. Elektrik süpürgesi kullanmayınız. Lütfen kullanıcı kılavuzuna riayet edin.
- Aydınlatma, nitelikli bir elektrikçi tarafından takılmalı ve kabloları, son IEE elektrik yönetmeliği veya ulusal gerekliliklere uygun olarak döşenmelidir.
- Aydınlatmayı takarken veya bakımını yaparken aydınlatmada iz kalmasını önlemek için lütfen statığe yol açmayan eldivenler kullanınız.
- Kir ve lekeleri çıkarmak için aşağıdakileri kullanınız:
  - Toz: Sadece mikro elyaflı bezler kullanınız.
  - Parmak izleri vs.: Sentetik malzemeler için anti statik özelliklere sahip bir temizleyici kullanınız.



© 2020 Signify Holding

All rights reserved. This document contains information relating to the product portfolio of Signify which information may be subject to change.

No representation or warranty as to the accuracy or completeness of the information included herein is given and any liability for any action in reliance thereon is disclaimed. The information presented in this document is not intended as any commercial offer and does not form part of any quotation or contract.

Philips and the Philips Shield Emblem are registered trademarks of Koninklijke Philips N.V. All other trademarks are owned by Signify Holding or their respective owners.

Signify Holding  
The Netherlands