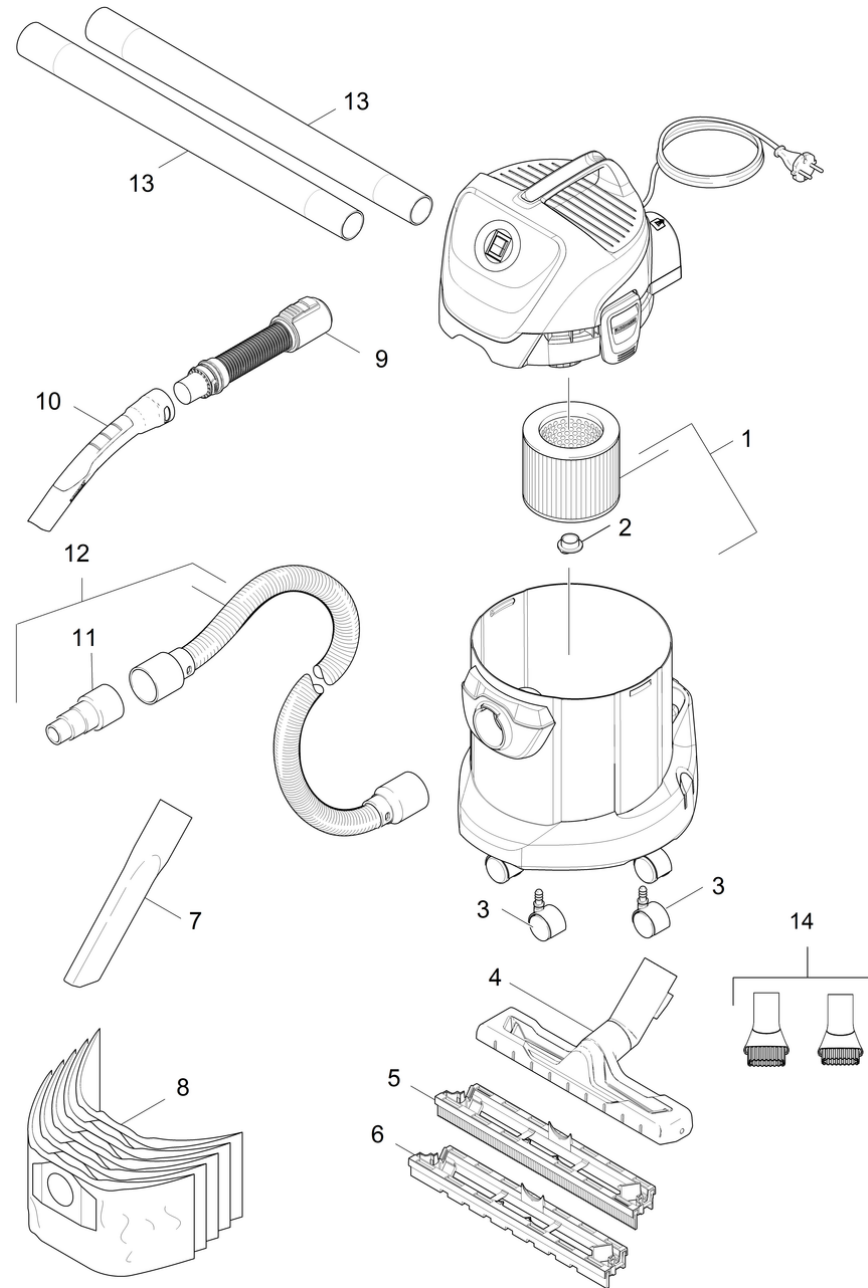


# Short spare parts list (1.629-886.3)

Home and Garden \ Vacuum cleaner \ Wet-/Dry vacuum cleanerwet \ WD 3 P Workshop \*EU-II \ Short spare parts list



## Short spare parts list (1.629-886.3)

Home and Garden \ Vacuum cleaner \ Wet-/Dry vacuum cleanerwet \ WD 3 P Workshop \*EU-II \ Short spare parts list

**KÄRCHER**

POS	Article no.	Description	Quantity	Unit
1	6.414-552.0	Cartridge filter	1.000	ST
2	4.075-012.0	Closure complete	1.000	ST
3	6.435-353.0	Castor D 42	4.000	ST
4	4.629-013.0	Floor tool clip packaged	1.000	ST
5	4.629-014.0	Insert wet floor nozzle packaged	1.000	ST
6	4.629-015.0	Insert dry floor nozzle packaged	1.000	ST
7	6.900-385.0	Crevice nozzle DN35	1.000	ST
8	6.959-130.0	Filter bags 5St.	1.000	ZSA
9	4.441-066.0	Hose complete packaged	1.000	ST
10	2.863-012.0	Hand grip suction hose	1.000	ST
11	9.048-061.0	Connecting sleeve	1.000	ST
12	2.863-112.0	Hose Flex-Tool	1.000	ST
13	2.863-148.0	Suction tube DN35	2.000	ST
14	2.863-221.0	Brush car set	1.000	ST