

Product datasheet

P DIM PAR16 8.3 W/940 GU10

PARATHOM DIM PAR 16 | Dimmable LED reflector lamps PAR16 with retrofit pin base



Product datasheet

Technical data

Electrical data

Claimed equiv. conventional lamp power	80 W
Operating frequency	50/60 Hz
Nominal current	46 mA

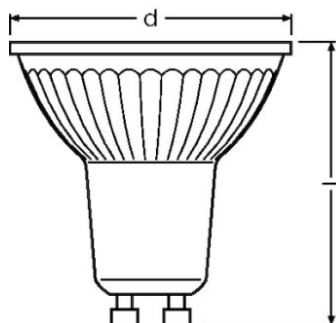
Photometrical data

Luminous intensity	840 cd
Light color (designation)	Cool White
Nominal useful luminous flux 90°	550 lm
Rated peak intensity	840 cd
Luminous flux	550 lm

Light technical data

Beam angle	36 °
Rated beam angle (half peak value)	36.00 °

Dimensions & weight



Overall length	52.00 mm
Product weight	56.00 g
Maximum diameter	50 mm

Temperatures & operating conditions

Ambient temperature range	-20...+40 °C
---------------------------	--------------

Lifespan

Lumen maintenance at end of service life	0.7
--	-----

Product datasheet

Additional product data

Mercury content	0.0 mg
Mercury-free	Yes
Appropriate disposal acc. to WEEE	Yes
Successor EAN	4058075609099
Product remark	All technical parameters apply to the entire lamp Due to the complex production process for light-emitting diodes, the typical values shown for the technical LED parameters are purely statistical values that do not necessarily match the actual technical parameters of each individual product, which can vary from the typical value
Predecessor EAN	4058075095441, 4058075449244

Certificates & standards

Energy efficiency class	G
Energy consumption	9.00 kWh/1000h

Environmental information

Information according Art. 33 of EU Regulation (EC) 1907/2006 (REACH)	
Date of Declaration	18-04-2022
Primary Article Identifier	4058075449244 4058075609099
Declaration No. in SCIP database	In work

Ecodesign regulation information:

Separate control gear and light sources must be disposed of at certified disposal companies in accordance with Directive 2012/19/EU (WEEE) in the EU and with Waste Electrical and Electronic Equipment (WEEE) Regulations 2013 in the UK. For this purpose, collection points for recycling centres and take-back systems (CRSO) are available from retailers or private disposal companies, which accept separate control gear and light sources free of charge. In this way, raw materials are conserved and materials are recycled.

Logistical Data

Product code	Product description	Packaging unit (Pieces/Unit)	Dimensions (length x width x height)	Volume	Gross weight
4058075609099	P DIM PAR16 8.3 W/940 GU10	Shipping carton box 10 Pieces Folding carton box	255 mm x 107 mm x 72 mm	1.96 dm ³	683.00 g

The mentioned product code describes the smallest quantity unit which can be ordered. One shipping unit can contain one or more single products. When placing an order, for the quantity please enter single or multiples of a shipping unit.

Product datasheet

References / Links

For dimming conformity see

- ▶ www.osram.com/DIM

For further products and actual information concerning LED lamps see

- ▶ www.osram.com/ledlamps

For Guarantee see

- ▶ www.osram.com/guarantee

Disclaimer

Subject to change without notice. Errors and omission excepted. Always make sure to use the most recent release.

OSRAM is distribution partner
of LEDVANCE of LAMPS

OSRAM

OSRAM GmbH
Marcel-Breuer-Strasse 6
80807 Munich, Germany