

PRODUCT FAMILY DATASHEET

ENDURA STYLE FLARE

Stainless steel wall luminaires with indirect illumination



Areas of application

- Building facades
- Entrance lighting
- Patios, balconies

Product benefits

- Easy and quick installation
- Energy-efficient thanks to LED technology

Product features

- Bright and functional outdoor LED luminaires
- Housing material: aluminum
- Type of protection: IP44



TECHNICAL DATA

Electrical data

Product description	Nominal wattage	Operating mode	Nominal voltage	Power factor λ
ENDURA STYLE LANTERN FLARE 60CM Post 7W	7.00 W	Mains voltage	220...240 V	> 0,5
ENDURA STYLE LANTERN FLARE Wall 7W	7.00 W	Mains voltage	220...240 V	> 0,5

Photometrical data

Product description	Color temperature	Luminous flux	Luminous efficacy	Light color (designation)	Standard deviation of color matching
ENDURA STYLE LANTERN FLARE 60CM Post 7W	3000 K	470 lm	67 lm/W	Warm White	< 6 sdc _m
ENDURA STYLE LANTERN FLARE Wall 7W	3000 K	470 lm	67 lm/W	Warm White	< 6 sdc _m

Product description	Color rendering index Ra
ENDURA STYLE LANTERN FLARE 60CM Post 7W	≥ 80
ENDURA STYLE LANTERN FLARE Wall 7W	≥ 80

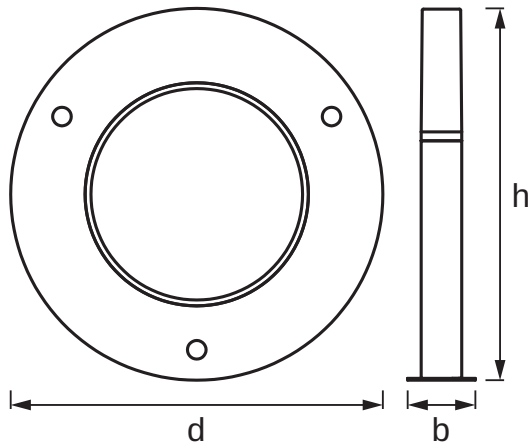
Light technical data

Product description	Beam angle
ENDURA STYLE LANTERN FLARE 60CM Post 7W	230.00 °
ENDURA STYLE LANTERN FLARE Wall 7W	230.00 °

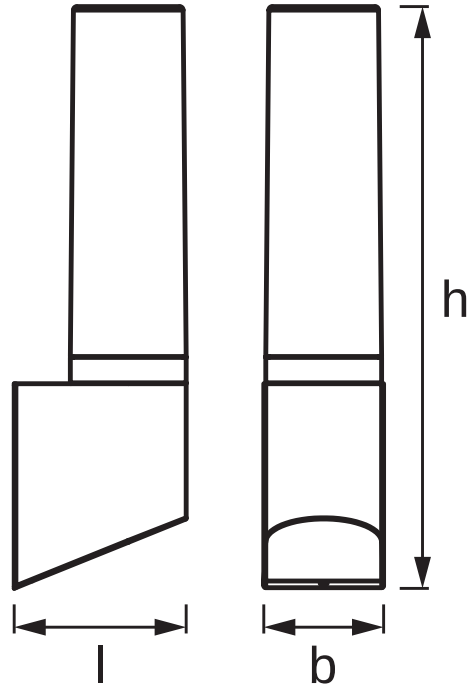
Dimensions & weight

Product description	Diameter	Height	Product weight
ENDURA STYLE LANTERN FLARE 60CM Post 7W	110.00 mm	604.00 mm	1100.000 g
ENDURA STYLE LANTERN FLARE Wall 7W		331.00 mm	850.000 g

Product line drawing



ENDURA STYLE LANTERN FLARE 60CM Post 7W,



ENDURA STYLE LANTERN FLARE Wall 7W

Colors & materials

Product description	Body material	Product color	Housing color	Cover material
ENDURA STYLE LANTERN FLARE 60CM Post 7W	Aluminum	Dark gray	Dark gray	Polycarbonate (PC)
ENDURA STYLE LANTERN FLARE Wall 7W	Aluminum	Dark gray	Dark gray	Polycarbonate (PC)

Temperatures & operating conditions

Product description	Ambient temperature range
ENDURA STYLE LANTERN FLARE 60CM Post 7W	-20...+40 °C
ENDURA STYLE LANTERN FLARE Wall 7W	-20...+40 °C

Lifespan

Product description	Number of switching cycles	Lifespan L70/B50 at 25 °C	Lifespan L90/B10 at 25 °C
ENDURA STYLE LANTERN FLARE 60CM Post 7W	12500	25000 h	-

Product description	Number of switching cycles	Lifespan L70/B50 at 25 °C	Lifespan L90/B10 at 25 °C
ENDURA STYLE LANTERN FLARE Wall 7W	12500	25000 h	-

Additional product data

Product description	Mounting location
ENDURA STYLE LANTERN FLARE 60CM Post 7W	Ground
ENDURA STYLE LANTERN FLARE Wall 7W	Wall

Capabilities

Product description	Dimmable	Type of connection	ErP LEDmod replaceable
ENDURA STYLE LANTERN FLARE 60CM Post 7W	No	Terminal, 3-Pole (L, N, PE)	Not replaceable
ENDURA STYLE LANTERN FLARE Wall 7W	No	Terminal, 3-Pole (L, N, PE)	Not replaceable

Certificates & standards

Product description	Protection class	Type of protection	Standards
ENDURA STYLE LANTERN FLARE 60CM Post 7W	I	IP44	CE / EAC / REACH / RoHS
ENDURA STYLE LANTERN FLARE Wall 7W	I	IP44	CE / EAC / REACH / RoHS

EQUIPMENT / ACCESSORIES

- Complete mounting and connecting accessories included

APPLICATION ADVICE

For more detailed application information and graphics please see product datasheet.

SALES AND TECHNICAL SUPPORT





Sales and Technical Support www.ledvance.com

COUNTRY SPECIFIC INFORMATION

Product description	Product code	METEL-Code	SEG number	STK number	UK Org
ENDURA STYLE LANTERN FLARE 60CM Post 7W	4058075478053	-	-	-	-

Product description	Product code	METEL-Code	SEG number	STK number	UK Org
ENDURA STYLE LANTERN FLARE Wall 7W	4058075478039	-	-	-	-

DOWNLOAD DATA

DOWNLOAD DATA	
	User instruction ENDURA STYLE LANTERN FLARE
	Tender documents Tender Text 4058075478053
	User instruction ENDURA STYLE LANTERN FLARE
	Tender documents Tender Text 4058075478039

LOGISTICAL DATA

Product code	Packaging unit (Pieces/Unit)	Dimensions (length x width x height)	Gross weight	Volume
4058075478053	Folding box 1	122 mm x 122 mm x 624 mm	1130.00 g	9.29 dm ³
4058075478039	Folding box 1	117 mm x 87 mm x 354 mm	929.00 g	3.60 dm ³

The mentioned product code describes the smallest quantity unit which can be ordered. One shipping unit can contain one or more single products. When placing an order, for the quantity please enter single or multiples of a shipping unit.

DISCLAIMER

Subject to change without notice. Errors and omission excepted. Always make sure to use the most recent release.