

- EN
- FR
- DE
- ES
- IT
- NL
- PT
- DA
- SV
- FI
- NO
- RU
- PL
- CS
- HU
- RO
- LV
- LT
- ET
- HR
- SL
- SK
- BG
- UK
- TR
- EL

RAG18X



- Important!** It is essential that you read the instructions in this manual before assembling, maintaining and operating the product.
- Attention!** Il est essentiel que vous lisiez les instructions contenues dans ce manuel avant d'assembler, d'entretenir et d'utiliser le produit.
- Achtung!** Es ist wichtig, dass Sie vor Zusammenbau, Wartung und Benutzung des Produktes die Anweisungen in dieser Anleitung lesen.
- ¡Atención!** Resulta fundamental que lea este manual de instrucciones antes de realizar el montaje, el mantenimiento y de utilizar este producto
- Attenzione!** È importante leggere le istruzioni contenute nel presente manuale prima di montare il prodotto, svolgere le operazioni di manutenzione sullo stesso e metterlo in funzione.
- Let op!** Het is van essentieel belang dat u de instructies in deze gebruiksaanwijzing leest voor u het product monteert, onderhoudt en gebruikt.
- Atenção!** É fundamental que leia as instruções deste manual antes da montagem, manutenção e operação do aparelho.
- OBS!** Det er vigtigt, at man læser instrukserne i denne brugsanvisning, inden man samler, vedligeholder og betjener produktet.
- Observera!** Det är viktigt att du läser instruktionerna i manualen före montering, användning och underhåll av produkten.
- Huomio!** On tärkeää, että luet tämän käsikirjan ohjeet ennen tuotteen kokoamista, huoltoa ja käyttöä.
- Advarsel!** Det er viktig at du leser instruksjonene i denne manualen før sammensetning, vedlikehold og bruk av produktet
- Внимание!** Необходимо прочитать инструкции в данном руководстве перед сборкой, обслуживанием и эксплуатацией этого изделия.
- Uwaga!** Koniecznie należy przeczytać instrukcje zawarte w tym podręczniku przed montażem, obsługą oraz konserwacją produktu.
- Důležité upozornění!** Nainstalujte, neprovádějte údržbu ani nepoužívejte tento výrobek dříve, než si přečtete pokyny uvedené v tomto návodu.
- Figyelem!** Fontos, hogy a termék összeszerelése, karbantartása és használatá elött elolvassa a kézikönyvben található utasításokat.
- Atenție!** Este esențial să citiți instrucțiunile din acest manual înainte de asamblare, efectuarea întreinerii și operarea produsului.
- Uzmanību!** Ir svarīgi izlasīt šīs rokasgrāmatas instrukcijas pirms uzstādīšanas, apkopes un preces darbināšanas.
- Děmesio!** Prieš surenkant, prižiūrint ir naudojant gaminį, būtina perskaityti šiame vadove pateiktus nurodymus.
- Tähtis!** Enne masina kokkupanekut, hooldamist ja kasutama hakkamist tuleb käesolevas juhendis esitatud juhised kindlasti läbi lugeda.
- Upozorenie!** Vrlo je važno da ste prije sklapanja, održavanja i rada s ovim proizvodom pročitali upute u ovom priručniku.
- Pomembno!** Pomembno je da pred montažo vzdrževanjem in uporabo tega izdelka preberete navodila v tem priručniku.
- Upozornenie!** Je dôležité, aby ste si pred montážou, údržbou a obsluhou produktu prečítali pokyny v tomto návode.
- Важно!** Исключительно важно е да прочетете инструкциите в настоящото ръководство, преди да преминете към сглобяване, поддръжка или работа с продукта.
- Важливо!** Дуже важливо, щоб ви прочитали інструкції в цьому керівництві перед складанням, обслуговуванням та експлуатацією цієї машини.
- Dikkat!** Ürünün montajını, bakımını yapmadan ve ürünün çalıştırmadan önce bu kılavuzda yer alan talimatları okumanız önemlidir.
- Προσοχή!** Είναι πολύ σημαντικό να διαβάσετε τις οδηγίες στο παρόν εγχειρίδιο πριν συναρμολογήσετε, συντηρήσετε ή λειτουργήσετε το προϊόν.

Subject to technical modification | Sous réserve de modifications techniques | Technische Änderungen vorbehalten | Bajo reserva de modificaciones técnicas | Con riserva di eventuali modifiche tecniche | Technische wijzigingen voorbehouden | Com reserva de modificações técnicas | Med forbehold for tekniske ændringer | Med förbehåll för tekniska ändringar | Tekniset muutokset varataan | Med forbehold om tekniske ændringer | могут быть внесены технические изменения | Z zastrzeżeniem modyfikacji technicznych | Změny technických údajů vyhrazeny | A műszaki módosítás jogát fenntartjuk | Sub rezerva modifiцаiilor tehnice | Paturam tiesības mainīt tehnisko raksturlielumu | Pasilikant teisę daryti techninius pakeitimus | Tehnilised muudatused võimalikud | Podložno tehničkim promjenama | Tehnične spremembe dopuščene | Právo na technické zmeny je vyhradené | Подлежи на технически модификации | Є об'єктом для технічних змін | Teknik değişiklik hakkı saklıdır | Υπό την επιφύλαξη τεχνικών τροποποιήσεων

Safety, performance, and dependability have been given top priority in the design of your angle grinder.

### INTENDED USE

The angle grinder is intended to be used only by adults who have read and understood the instructions and warnings in this manual, and can be considered responsible for their actions.

The product is designed for grinding and cutting metals and stone materials. Only appropriate grinding discs as described in the product specifications section of this manual should be fitted to the angle grinder.

The product is intended for dry use only. Do not use the product for wet applications.

The product is designed for handheld use. The product is not to be mounted onto a workbench.

The product is intended for consumer use only.

Do not use the product for any other purpose. Use of the product for operations different from intended could result in a hazardous situation.

**⚠ WARNING! Read all safety warnings, instructions, illustrations and specifications provided with this power tool.** Failure to follow all instructions listed below may result in electric shock, fire and/or serious injury.

**Save all warnings and instructions for future reference.**

### ANGLE GRINDER SAFETY WARNINGS

#### SAFETY WARNINGS COMMON FOR GRINDING OR CUTTING-OFF OPERATIONS:

- **This power tool is intended to function as a grinder or cut-off tool. Read all safety warnings, instructions, illustrations and specifications provided with this power tool.** Failure to follow all instructions listed below may result in electric shock, fire and/or serious injury.
- **Operations such as sanding, wire brushing, polishing or hole-cutting are not to be performed with this power tool.** Operations for which the power tool was not designed may create a hazard and cause personal injury.
- **Do not convert this power tool to operate in a way which is not specifically designed and specified by the tool manufacturer.** Such a conversion may result in a loss of control and cause serious personal injury.
- **Do not use accessories which are not specifically designed and specified by the tool manufacturer.** Just because the accessory can be attached to your power tool, it does not assure safe operation.
- **The rated speed of the accessory must be at least equal to the maximum speed marked on the power tool.** Accessories running faster than their rated speed can break and fly apart.
- **The outside diameter and the thickness of your accessory must be within the capacity rating of your power tool.** Incorrectly sized accessories cannot be adequately guarded or controlled.
- **The dimensions of the accessory mounting must fit the dimensions of the mounting hardware of the power tool.** Accessories that do not match the mounting hardware of the power tool will run out of balance, vibrate excessively and may cause loss of control.

- **Do not use a damaged accessory. Before each use inspect the accessory such as abrasive wheels for chips and cracks, backing pad for cracks, tear or excess wear, wire brush for loose or cracked wires. If power tool or accessory is dropped, inspect for damage or install an undamaged accessory. After inspecting and installing an accessory, position yourself and bystanders away from the plane of the rotating accessory and run the power tool at maximum no-load speed for one minute.** Damaged accessories will normally break apart during this test time.
- **Wear personal protective equipment. Depending on application, use face shield, safety goggles or safety glasses. As appropriate, wear dust mask, hearing protectors, gloves and workshop apron capable of stopping small abrasive or workpiece fragments.** The eye protection must be capable of stopping flying debris generated by various applications. The dust mask or respirator must be capable of filtering particles generated by the particular application. Prolonged exposure to high intensity noise may cause hearing loss.
- **Keep bystanders a safe distance away from work area. Anyone entering the work area must wear personal protective equipment.** Fragments of workpiece or of a broken accessory may fly away and cause injury beyond immediate area of operation.
- **Hold the power tool by insulated gripping surfaces only, when performing an operation where the cutting accessory may contact hidden wiring.** Cutting accessory contacting a "live" wire may make exposed metal parts of the power tool "live" and could give the operator an electric shock.
- **Never lay the power tool down until the accessory has come to a complete stop.** The spinning accessory may grab the surface and pull the power tool out of your control.
- **Do not run the power tool while carrying it at your side.** Accidental contact with the spinning accessory could snag your clothing, pulling the accessory into your body.
- **Regularly clean the power tool's air vents.** The motor's fan will draw the dust inside the housing and excessive accumulation of powdered metal may cause electrical hazards.
- **Do not operate the power tool near flammable materials.** Sparks could ignite these materials.
- **Do not use accessories that require liquid coolants.** Using water or other liquid coolants may result in electrocution or shock.

#### Kickback and related warnings

Kickback is a sudden reaction to a pinched or snagged rotating wheel, backing pad, brush or any other accessory. Pinching or snagging causes rapid stalling of the rotating accessory which in turn causes the uncontrolled power tool to be forced in the direction opposite of the accessory's rotation at the point of binding.

For example, if an abrasive wheel is snagged or pinched by the workpiece, the edge of the wheel that is entering into the pinch point can dig into the surface of the material causing the wheel to climb out or kick out. The wheel may either jump toward or away from the operator, depending on the direction of the wheel's movement at the point of pinching. Abrasive wheels may also break under these conditions.

Kickback is the result of power tool misuse and/or incorrect operating procedures or conditions and can be avoided by taking proper precautions as given below.

- **Maintain a firm grip with both hands on the power tool and position your body and arms to allow you to resist kickback forces. Always use auxiliary handle, if provided, for maximum control over kickback or torque reaction during start-up.** The operator can control torque reactions or kickback forces, if proper precautions are taken.
- **Never place your hand near the rotating accessory.** Accessory may kickback over your hand.
- **Do not position your body in the area where power tool will move if kickback occurs.** Kickback will propel the tool in direction opposite to the wheel's movement at the point of snagging.
- **Use special care when working corners, sharp edges, etc. Avoid bouncing and snagging the accessory.** Corners, sharp edges or bouncing have a tendency to snag the rotating accessory and cause loss of control or kickback.
- **Do not attach a saw chain woodcarving blade, segmented diamond wheel with a peripheral gap greater than 10 mm or toothed saw blade.** Such blades create frequent kickback and loss of control.

#### **Safety warnings specific for grinding and cutting-off operations**

- **Use only wheel types that are specified for your power tool and the specific guard designed for the selected wheel.** Wheels for which the power tool was not designed cannot be adequately guarded and are unsafe.
- **The grinding surface of centre depressed wheels must be mounted below the plane of the guard lip.** An improperly mounted wheel that projects through the plane of the guard lip cannot be adequately protected.
- **The guard must be securely attached to the power tool and positioned for maximum safety, so the least amount of wheel is exposed towards the operator.** The guard helps to protect the operator from broken wheel fragments, accidental contact with wheel and sparks that could ignite clothing.
- **Wheels must be used only for specified applications. For example, do not grind with the side of cut-off wheel.** Abrasive cut-off wheels are intended for peripheral grinding, side forces applied to these wheels may cause them to shatter.
- **Always use undamaged wheel flanges that are of correct size and shape for your selected wheel.** Proper wheel flanges support the wheel thus reducing the possibility of wheel breakage. Flanges for cut-off wheels may be different from grinding wheel flanges.
- **Do not use worn down wheels from larger power tools.** A wheel intended for larger power tool is not suitable for the higher speed of a smaller tool and may burst.
- **When using dual purpose wheels always use the correct guard for the application being performed.** Failure to use the correct guard may not provide the desired level of guarding, which could lead to serious injury.

#### **Additional safety warnings specific for cutting-off operations**

- **Do not "jam" the cut-off wheel or apply excessive pressure. Do not attempt to make an excessive depth of cut.** Overstressing the wheel increases the loading and susceptibility to twisting or binding of the wheel in the cut and the possibility of kickback or wheel breakage.
- **Do not position your body in line with and behind the rotating wheel.** When the wheel, at the point of operation, is moving away from your body, the possible kickback may propel the spinning wheel and the power tool directly at you.
- **When the wheel is binding or when interrupting a cut for any reason, switch off the power tool and hold it motionless until the wheel comes to a complete stop. Never attempt to remove the cut-off wheel from the cut while the wheel is in motion otherwise kickback may occur.** Investigate and take corrective action to eliminate the cause of wheel binding.
- **Do not restart the cutting operation in the workpiece. Let the wheel reach full speed and carefully re-enter the cut.** The wheel may bind, walk up or kickback if the power tool is restarted in the workpiece.
- **Support panels or any oversized workpiece to minimize the risk of wheel pinching and kickback.** Large workpieces tend to sag under their own weight. Supports must be placed under the workpiece near the line of cut and near the edge of the workpiece on both sides of the wheel.
- **Use extra caution when making a "pocket cut" into existing walls or other blind areas.** The protruding wheel may cut gas or water pipes, electrical wiring or objects that can cause kickback.
- **Do not attempt to do curved cutting.** Overstressing the wheel increases the loading and susceptibility to twisting or binding of the wheel in the cut and the possibility of kickback or wheel breakage, which can lead to serious injury.

#### **ADDITIONAL SAFETY WARNINGS**

- Clamp workpiece with a clamping device. Unclamped workpieces can cause severe injury and damage.
- Injuries may be caused, or aggravated, by prolonged use of a tool. When using any tool for prolonged periods, ensure you take regular breaks.
- Ambient temperature range for tool during operation is between 0°C and 40°C.
- Ambient temperature range for tool storage is between 0°C and 40°C.
- The recommended ambient temperature range for the charging system during charging is between 10°C and 38°C.

#### **ADDITIONAL BATTERY SAFETY WARNINGS**

To reduce the risk of fire, personal injury, and product damage due to a short circuit, never immerse your tool, battery pack or charger in fluid or allow a fluid to flow inside them. Corrosive or conductive fluids, such as seawater, certain industrial chemicals, and bleach or bleach-containing products, etc., can cause a short circuit.

- Ambient temperature range for battery during use is between 0°C and 40°C.

- Ambient temperature range for battery storage is between 0°C and 20°C.

### TRANSPORTING LITHIUM BATTERIES

Transport the battery in accordance with local and national provisions and regulations.

Follow all special requirements on packaging and labelling when transporting batteries by a third party. Ensure that no batteries can come in contact with other batteries or conductive materials while in transport by protecting exposed connectors with insulating, non-conductive caps or tape. Do not transport batteries that are cracked or leaking. Check with the forwarding company for further advice.

### KNOW YOUR PRODUCT

See page 109.

1. Battery port
2. Handle, insulated gripping surface
3. Spindle lock button
4. Side handle
5. Guard lever lock
6. Toolless grinding guard
7. Paddle switch
8. Lock-out switch
9. Clamp nut
10. Grinding wheel
11. Disc flange
12. Spindle shaft
13. Operator's manual
14. Cutting Disc
15. Toolless cutting guard attachment
16. Battery pack
17. Charger

### MAINTENANCE

- The product should never be connected to a power supply when assembling parts, making adjustments, cleaning, performing maintenance, or when the product is not in use. Disconnecting the product from the power supply will prevent accidental starting that could cause serious injury.
- When servicing, use only original manufacturer's replacement parts, accessories and attachments. Use of any other parts may create a hazard or cause product damage.
- Do not at any time let brake fluids, gasoline, petroleum-based products, penetrating oils, etc., come in contact with plastic parts. Chemicals can damage, weaken or destroy plastic which may result in serious personal injury.
- Avoid using solvents when cleaning plastic parts. Most plastics are susceptible to various types of commercial solvents and may be damaged by their use. Use clean cloths to remove dirt, carbon dust, etc.
- For greater safety and reliability, all repairs should be performed by an authorised service centre.

### SYMBOLS



Safety alert

n

Rated speed

V Volts



Direct current

min<sup>-1</sup>

Revolutions or reciprocations per minute



Please read the instructions carefully before starting the machine.



Wear ear protection



Wear eye protection



Wear dust mask



Wear safety hand gloves



Wear non-skid safety shoes.



Do not use chipped, cracked or defective grinding wheel



Do not use for cutting



Use a guard



Metal



Not for wet grinding. Using water or other liquid coolants may result in electrocution or shock.



Do not use for face grinding.



European Conformity Mark



British Conformity Mark



Ukraine Conformity Mark

001



EurAsian Conformity Mark



Waste electrical products should not be disposed of with household waste. Please recycle where facilities exist. Check with your local authority or retailer for recycling advice.

## SYMBOLS IN THIS MANUAL



Note



Parts or accessories sold separately



Lock



Unlock



Stop the product.



Without force



With force

La plus grande priorité a été donnée à la sécurité, aux performances et à la fiabilité de votre meuleuse d'angle lors de sa conception.

### UTILISATION PRÉVUE

Cette meuleuse d'angle est destinée à n'être utilisée que par des adultes ayant lu et compris les instructions et avertissements présents dans ce manuel, et pouvant être considérés responsables de leurs actions.

Le produit est conçu pour meuler et découper les matériaux en métal et en pierre. Seuls les disques de meulage appropriés tels que décrits dans le chapitre des caractéristiques du produit de ce manuel doivent être adaptés sur cette meuleuse d'angle.

Ce produit est exclusivement destiné à une utilisation à sec. N'utilisez pas le produit pour des applications humides.

Ce produit est conçu pour une utilisation à la main. Le produit n'est pas destiné à être monté sur un établi.

Ce produit est destiné à des fins de consommation.

Ne vous servez pas de ce produit pour d'autres utilisations que celles décrites au chapitre des utilisations prévues. L'utilisation détournée d'un outil électrique entraîne des situations dangereuses.

**⚠ AVERTISSEMENT! Lisez attentivement l'ensemble des avertissements, instructions et spécifications fournis avec cet outil, et reportez-vous aux illustrations.** Le non-respect des instructions présentées ci-après peut entraîner des accidents tels que des incendies, des décharges électriques et/ou des blessures corporelles graves.

**Conservez tous les avertissements et toutes les instructions pour pouvoir vous y reporter ultérieurement.**

### CONSIGNES DE SÉCURITÉ SPÉCIFIQUES AUX MEULEUSES D'ANGLE

#### AVERTISSEMENTS DE SÉCURITÉ COMMUNS POUR LES OPÉRATIONS DE MEULAGE ET DE DÉCOUPE :

- **Cet outil électrique est conçu pour servir d'outil à meuler et découper. Lisez attentivement l'ensemble des avertissements, instructions et spécifications fournis avec cet outil, et reportez-vous aux illustrations.** Le non-respect des instructions présentées ci-après peut entraîner des accidents tels que des incendies, des décharges électriques et/ou des blessures corporelles graves.
- **Des opérations comme le ponçage, le brossage métallique, le polissage et le perçage de trous ne doivent pas être réalisées avec cet outil électrique.** Le non-respect de cette consigne peut entraîner des accidents et des blessures corporelles graves.
- **Ne transformez pas cet outil électrique pour qu'il fonctionne d'une manière pour laquelle il n'est pas spécifiquement conçu et précisé par son fabricant.** Une telle transformation peut entraîner une perte de contrôle et provoquer des blessures personnelles graves.
- **N'utilisez pas d'accessoires qui ne sont pas spécifiquement conçus et spécifiés par le fabricant de l'outil.** Même si un accessoire peut être monté sur un outil, cela ne garantit pas que vous pourriez utiliser cet outil en toute sécurité.
- **La vitesse nominale de l'accessoire doit être égale ou supérieure à la vitesse maximale indiquée sur l'outil.** Les accessoires fonctionnant à une vitesse supérieure à leur vitesse nominale peuvent se casser et être éjectés.
- **Le diamètre extérieur et l'épaisseur de l'accessoire doivent correspondre aux caractéristiques spécifiées pour l'outil.** Si les accessoires ne correspondent pas aux caractéristiques données, les systèmes de protection et de réglage de l'outil ne pourront pas fonctionner correctement.
- **Les dimensions des accessoires fixés doivent correspondre aux dimensions du matériel de montage de l'outil électrique.** Les accessoires aux dimensions ne correspondant pas aux éléments de fixation de l'outil électrique entraîneront un balourd, source de vibrations excessives et de perte de contrôle.
- **N'utilisez pas un accessoire endommagé. Avant chaque utilisation, vérifiez que l'accessoire que vous utilisez est en bon état: assurez-vous que les disques abrasifs ne sont pas ébréchés ou fissurés, que les patins ne sont pas déchirés ou usés, que les poils des brosses métalliques ne sont pas trop usés ou cassés. En cas de chute de l'outil ou d'un accessoire, vérifiez l'absence de dommages et remettez un accessoire en bon état en place au besoin. En cas de chute de l'outil ou de l'accessoire, vérifiez qu'aucun élément n'est endommagé et, si besoin, installez un accessoire neuf.** Si l'accessoire est endommagé, il se cassera pendant ce test.
- **Porter des équipements de protection individuelle.** Selon l'utilisation que vous faites de votre outil, portez un masque de protection, des lunettes de sécurité ou des lunettes de protection. Selon l'utilisation que vous faites de votre outil, portez un masque de protection, des lunettes de sécurité ou des lunettes de protection. La protection oculaire doit être en mesure d'arrêter les débris volants générés par diverses utilisations. Le masque anti-poussière ou filtrant doit être capable de filtrer les particules générées par l'utilisation spécifique. Les masques anti-poussière permettent de filtrer les particules générées par l'opération que vous menez.
- **Maintenez les visiteurs à bonne distance de la zone de travail. Maintenez les visiteurs à bonne distance de la zone de travail et veillez à ce qu'ils portent un équipement de protection.** Des fragments de pièce à usiner ou d'un accessoire cassé peuvent être projetés au-delà de la zone de travail et causer des blessures corporelles graves.
- **Ne tenez l'outil que par les parties isolées et antidérapantes lorsque vous travaillez sur une surface pouvant cacher des fils électriques.** Un accessoire de coupe qui entre en contact avec un câble "sous tension" est susceptible de véhiculer le courant électrique vers les parties métalliques de l'outil et de provoquer un choc électrique à l'opérateur.
- **Ne posez jamais votre outil avant que l'accessoire ne soit complètement arrêté.** L'accessoire en rotation pourrait entrer en contact avec la surface sur laquelle il est posé et vous faire perdre le contrôle de l'outil.
- **Ne faites pas fonctionner votre outil lorsque vous le transportez.** L'accessoire en rotation pourrait se prendre dans vos vêtements et vous blesser gravement.

- **Nettoyez régulièrement les fentes de ventilation de l'outil. La ventilation du moteur fait pénétrer les poussières à l'intérieur du carter moteur, ce qui peut générer une accumulation excessive de particules métalliques et provoquer des chocs électriques.**
- **N'utilisez pas votre outil à proximité de produits inflammables.** Des étincelles risqueraient de les enflammer.
- **N'utilisez pas d'accessoires nécessitant des fluides de refroidissement.** L'utilisation d'eau ou de liquides de refroidissement peut causer des électrocutions ou des chocs électriques.

#### **Avertissements relatifs au rebond et autres risques associés**

Le rebond est une réaction soudaine qui a lieu lorsque la meule en mouvement, le patin, la brosse ou tout autre accessoire se pince ou se tord, ce qui entraîne le blocage rapide de l'accessoire. L'outil, qui continue à fonctionner, est alors projeté dans la direction opposée au sens d'utilisation de l'accessoire.

Par exemple, si un disque abrasif se coince ou se tord dans la pièce à usiner, le bord du disque qui se fait coincer peut se faire entraîner dans le matériau et provoquer un rebond vers le haut ou vers l'arrière. En cas de rebond, le disque abrasif peut également se casser. Le rebond est donc le résultat d'une mauvaise utilisation de l'outil et/ou de procédures ou de conditions d'utilisation incorrectes.

Le rebond est donc le résultat d'une mauvaise utilisation de l'outil et / ou de procédures ou de conditions d'utilisation incorrectes. Il peut être évité en veillant à respecter quelques précautions:

- **Maintenez une prise ferme avec les deux mains sur l'outil électrique et positionnez votre corps et vos bras pour vous permettre de résister au recul. Si l'outil dispose d'une poignée auxiliaire, veillez à toujours la tenir pour avoir un contrôle optimal de l'outil en cas de rebond ou de couple de réaction lors de la mise en marche de l'outil.** Prenez les mesures nécessaires afin de pouvoir contrôler votre outil en cas de rebond ou de couple de réaction.
- **Ne placez jamais votre main à proximité de l'accessoire en rotation afin d'éviter tout risque de blessures corporelles graves en cas de rebond.** Accessoire risque de rebondir sur votre main.
- **Ne vous placez pas dans la zone où l'outil risque d'être projeté en cas de rebond.** En cas de rebond, l'outil est projeté dans la direction opposée au sens de rotation du disque.
- **Faites particulièrement attention lorsque vous travaillez sur des angles, des bords tranchants, etc. Évitez de faire déraiper ou de coincer l'accessoire.** Lorsque vous travaillez sur des angles ou des bords tranchants ou lorsque vous faites déraiper l'outil, le risque est plus élevé de bloquer l'accessoire, et donc de perdre le contrôle de l'outil et provoquer un rebond.
- **Ne mettez pas en place de chaîne de scie, de lame de découpe du bois, de disque au diamant segmenté ayant une ouverture périphérique supérieure à 10 mm ou une lame de scie avec des dents.** De telles lames augmentent le risque de rebond et de perte de contrôle de l'outil.

#### **Avertissements de sécurité spécifiques relatifs aux opérations de meulage et de découpe**

- **Utilisez uniquement les types de disque qui sont spécifiés pour votre outil électrique et la protection**

**spécifique conçue pour le disque choisi.** Les disques pour lesquels l'outil électrique n'a pas été prévu ne peuvent pas être protégés de façon adéquate et présentent un danger.

- **Les disques ayant en renforcement central doivent être montés de façon que leur surface de meulage se trouve sous le plan du carter de protection.** Un disque monté de façon inadéquate qui dépasse du plan du carter de protection n'est pas protégé de façon correcte.
- **La protection doit être bien fixée sur l'outil électrique et positionnée de façon à offrir la meilleure sécurité, afin que la plus petite partie possible de la meule soit dirigée vers l'opérateur.** Le carter de protection aide à protéger l'opérateur des fragments d'une meule qui se brise, du contact accidentel avec la meule et des étincelles susceptibles de mettre le feu aux vêtements.
- **Les disques doivent être utilisés uniquement pour les applications spécifiées. Par exemple, n'utilisez pas le flanc d'un disque à tronçonner pour meuler.** Les disques à tronçonner sont conçus pour meuler sur leur périphérie, ils sont susceptibles de se briser si l'on y applique une force latérale.
- **Assurez-vous de toujours utiliser des supports de disques en bon état et dont la taille et la forme sont adaptées au disque à utiliser.** Un support de disque adapté maintient le flanc du disque et réduit le risque de bris. Les supports des disques à découper peuvent être différents des supports pour meules.
- **N'utilisez pas de disques usés en provenance d'outils plus puissants.** Les meules destinées à un outil plus important ne sont pas adaptées à la vitesse de rotation supérieure d'un petit outil et sont susceptibles d'éclater.
- **Lorsque vous utilisez des disques à double usage, appliquez toujours les mesures de protection adéquates pour l'application réalisée.** Le manquement à utiliser la protection adéquate peut ne pas fournir le niveau de protection souhaité, ce qui peut conduire à des blessures graves.

#### **Avertissements de sécurité supplémentaires relatifs aux opérations de découpe**

- **Ne "coincez" pas le disque de coupe et ne lui appliquez pas de pression excessive. Ne tentez pas d'effectuer des découpes d'une profondeur excessive.** Un excès de contraintes sur le disque augmente sa charge et risque de le tordre ou de le coincer dans la coupe, ce qui pourrait provoquer un rebond ou un bris du disque.
- **Ne positionnez votre corps ni derrière le disque en rotation ni dans son alignement.** Lorsque le disque, au cours du travail, s'éloigne de votre corps, un éventuel rebond pourrait projeter le disque ainsi que l'outil directement vers vous.
- **Quand le disque se bloque ou si la découpe est interrompue pour une raison quelconque, éteignez l'outil électrique et maintenez-le immobile jusqu'à ce que le disque s'arrête complètement. Ne tentez jamais de retirer le disque à tronçonner de l'élément à couper tant que le disque est en rotation, sous peine de provoquer un effet de rebond.** Si le disque se coince, cherchez-en la cause et prenez les mesures nécessaires pour que cela ne se reproduise plus.
- **Ne reprenez pas la coupe dans la pièce à tronçonner. Laissez le disque atteindre sa pleine vitesse et pénétrez à nouveau dans la coupe.** Le disque peut se coincer, être entraîné ou provoquer un rebond si l'outil est redémarré dans la pièce à couper.



- **Supportez les panneaux et toutes les pièces de grande dimension pour minimiser les risques de rebond et de pincement du disque.** Les grandes pièces à couper ont tendance à fléchir sous leur propre poids. Les supports doivent être placés sous la pièce à proximité de la ligne de coupe ou près du bord de la pièce de chaque côté du disque.
- **Soyez particulièrement attentif lorsque vous effectuez une "coupe en plongée" dans des murs existants ou autres zones aveugles.** Le disque saillant est susceptible de couper les conduites d'eau ou de gaz, les câbles électriques ou des objets pouvant provoquer un rebond.
- **N'essayez pas de réaliser des coupes incurvées.** Une sollicitation excessive du disque augmente sa charge et sa susceptibilité à se tordre ou à s'accrocher lors de la découpe, ainsi que la possibilité de recul ou de cassure du disque, ce qui peut provoquer des blessures graves.

#### INSTRUCTIONS DE SÉCURITÉ ADDITIONNELLES

- Sécurisez la pièce à couper à l'aide d'un dispositif de serrage. Une pièce à travailler non-fixée peut être la cause de blessures graves et de dommages.
- L'utilisation prolongée d'un outil est susceptible de provoquer ou d'aggraver des blessures. Assurez-vous de faire des pauses de façon régulière lorsque vous utilisez tout outil de façon prolongée.
- La plage de température ambiante pour l'outil en fonctionnement se situe entre 0 °C et 40 °C.
- La plage de température ambiante pour l'entreposage de l'outil se situe entre 0 °C et 40 °C.
- La plage de température ambiante recommandée pour le système de chargement en fonctionnement se situe entre 10 °C et 38 °C.

#### MISES EN GARDE DE SÉCURITÉ SUPPLÉMENTAIRES CONCERNANT LA BATTERIE

Pour réduire le risque d'incendie, de blessures corporelles et de dommages cau-sés par un court-circuit, ne jamais immerger l'outil, le bloc-piles ou le chargeur dans un liquide ou laisser couler un fluide à l'intérieur de celui-ci. Les fluides corrosifs ou conducteurs, tels que l'eau de mer, certains produits chimiques industriels, les produits de blanchiment ou de blanchi-ment, etc., Peuvent provoquer un court-circuit.

- La plage de température ambiante pour la batterie en utilisation se situe entre 0 °C et 40 °C.
- La plage de température ambiante pour l'entreposage de la batterie se situe entre 0 °C et 20 °C.

#### TRANSPORT DES BATTERIES AU LITHIUM

Transportez les batteries en conformité avec les dispositions et règlements locaux et nationaux.

Respectez toutes les exigences légales particulières concernant l'emballage et l'étiquetage des batteries lorsque vous confiez leur transport à un tiers. Assurez-vous qu'aucune batterie ne puisse entrer en contact avec une autre batterie ou avec des matériaux conducteurs lors de son transport en isolant les bornes électriques avec du ruban adhésif ou des capuchons isolants. Ne transportez pas une batterie qui serait fendue ou qui fuirait. Demandez conseil au transporteur pour de plus amples informations.

#### APPRENEZ À CONNAÎTRE VOTRE PRODUIT

Voir page 109.

1. Réceptacle de la batterie
2. Poignée, surface de préhension isolée
3. Bouton de verrouillage de l'arbre
4. Poignée latérale
5. Levier de verrouillage de la protection
6. Protection de meulage sans outil
7. Interrupteur à palette
8. Commutateur de verrouillage
9. Flasque extérieur
10. Meule à ébarber
11. Flasque
12. Arbre à broche
13. Manuel d'utilisation
14. Disque de coupe
15. Accessoire de protection pour coupe sans outil
16. Pack batterie
17. Chargeur

#### ENTRETIEN

- Le produit ne doit jamais être branché sur une source de courant lorsque vous-y montez des pièces, lorsque vous effectuez des réglages, lorsque vous le nettoyez, lorsque vous l'entretenez, ou lorsque vous ne l'utilisez pas. Déconnecter le produit de l'alimentation électrique empêche les démarrages accidentels qui peuvent causer des blessures graves.
- N'effectuez l'entretien qu'à l'aide de pièces détachées et accessoires d'origine constructeur. L'utilisation de toute autre pièce est susceptible de présenter un danger ou d'endommager votre outil.
- Ne laissez jamais du liquide de frein, de l'essence, des produits pétroliers, des huiles pénétrantes, etc. entrer en contact avec les éléments en plastique. Les produits chimiques peuvent endommager, affaiblir ou détruire les plastiques, ce qui pourrait entraîner de graves blessures.
- Évitez d'utiliser des solvants pour nettoyer les parties en plastique. La plupart des plastiques sont susceptibles d'être endommagés par les solvants disponibles dans le commerce. Utilisez un chiffon propre pour essuyer les impuretés, la poussière, etc.
- Pour plus de sécurité et de fiabilité, toutes les réparations doivent être effectuées par un service après-vente agréé.

#### SYMBOLES



Alerte de sécurité

n

Vitesse nominale

V

Volts



Courant continu

min-1

Nombre de tours ou de mouvements par minute



Veillez lire attentivement le mode d'emploi avant de démarrer la machine.



Portez une protection auditive



Portez une protection oculaire



Portez un masque anti poussières.



Portez des gants de sécurité



Portez des chaussures de sécurité antidérapantes.



N'utilisez pas de meule ébréchée, fendue ou défectueuse



Ne pas utiliser à des fins de découpe



Utilisez un carter de protection



Métal



Ne convient pas au meulage à l'eau. L'utilisation d'eau ou de liquides de refroidissement peut causer des électrocutions ou des chocs électriques.



N'utilisez par l'outil pour le meulage des faces.



Marque de conformité européenne



Marque de conformité britannique



Marque de conformité ukrainienne



Marque de conformité d'Eurasie



Les produits électriques hors d'usage ne doivent pas être jetés avec les ordures ménagères. Recyclez-les par l'intermédiaire des structures disponibles. Contactez les autorités locales ou votre distributeur pour vous renseigner sur les conditions de recyclage.

## SYMBOLES PRÉSENTS DANS LE MANUEL



Note



Pièces détachées et accessoires vendus séparément



Verrouillage



Déverrouillage



Arrêtez le produit.



Sans force



Avec force

Sicherheit, Leistung und Zuverlässigkeit hatten oberste Priorität bei der Entwicklung Ihres Winkelschleifers.

### BESTIMMUNGSGEMÄSSE VERWENDUNG

Der Winkelschleifer ist nur für den Gebrauch durch Erwachsene vorgesehen, die die Bedienungsanleitung gelesen und verstanden haben und als verantwortlich für ihre Handlungen erachtet werden können.

Das Gerät wurde zum Schleifen und Schneiden von Metallen und Stein konzipiert. Nur geeignete Schleifscheiben, wie in den Produktdaten dieser Bedienungsanleitung beschrieben, sollten an den Winkelschleifer montiert werden.

Das Gerät ist ausschließlich zur Trockennutzung geeignet. Verwenden Sie das Gerät nicht für Nassanwendungen.

Das Produkt muss beim Einsatz in der Hand gehalten werden. Das Gerät darf nicht an einer Werkbank montiert werden.

Das Gerät ist ausschließlich zur privaten Nutzung geeignet.

Benutzen Sie das Produkt nicht für andere Aufgaben, als die genannten bestimmungsgemäßen Verwendungen. Der Einsatz des Werkzeugs für Arbeiten, für die es nicht vorgesehen ist, kann zu gefährlichen Situationen führen.

**⚠ WARNUNG! Lesen Sie aufmerksam alle mit diesem Werkzeug gelieferten Warnungen, Anweisungen und Spezifikationen, beziehen Sie sich auf die Illustrationen.** Die Nichtbeachtung der weiter unten aufgeführten Anweisungen kann Unfälle wie Brände, Elektroschocks und/oder schwere Körperverletzungen zur Folge haben.

**Bewahren Sie alle Sicherheitshinweise und Anweisungen für die Zukunft auf.**

### SPEZIFISCHE SICHERHEITSVORSCHRIFTEN FÜR WINKELSCHLEIFER

**SICHERHEITSHINWEISE FÜR DIE ARBEITSSCHRITTE SCHLEIFEN UND TRENNSCHLEIFEN:**

- **Dieses Elektrowerkzeug ist zu verwenden als Schleifer und Trennschleifmaschine. Lesen Sie aufmerksam alle mit diesem Werkzeug gelieferten Warnungen, Anweisungen und Spezifikationen, beziehen Sie sich auf die Illustrationen.** Die Nichtbeachtung der weiter unten aufgeführten Anweisungen kann Unfälle wie Brände, Elektroschocks und/oder schwere Körperverletzungen zur Folge haben.
- **Funktionen wie das Sandpapierschleifen, Drahtbürsten, Polieren oder Lochsägen dürfen mit diesem Elektrowerkzeug nicht durchgeführt werden.** Verwendungen, für die das Elektrowerkzeug nicht vorgesehen ist, können Gefährdungen und Verletzungen verursachen.
- **Bauen Sie dieses Elektrowerkzeug nicht auf eine Art um, für die es nicht spezifisch konstruiert und vom Hersteller ausgeschrieben wurde.** Ein solcher Umbau kann zu einem Kontrollverlust führen und schwerwiegende persönlich Verletzungen verursachen.
- **Verwenden Sie keine Zubehörteile, die nicht speziell entwickelt und vom Hersteller des Werkzeugs zugelassen wurden.** Selbst wenn es möglich ist, ein Zubehörteil auf ein Werkzeug zu montieren, ist dies keine Garantie dafür, dass dieses Gerät in aller Sicherheit benutzt werden kann.
- **Die nominale Geschwindigkeit des Zubehörs**
  - **muss gleich oder schneller sein, als die maximale, auf dem Werkzeug angegebene Geschwindigkeit.** Zubehörteile, die schneller drehen als ihre Nominalgeschwindigkeit, können brechen und weggeschleudert werden.
  - **Der Außendurchmesser und die Dicke des Zubehörteils müssen den spezifischen Eigenschaften des Elektrowerkzeugs entsprechen.** Wenn die Zubehörteile nicht den angegebenen Eigenschaften entsprechen, können die Schutz- und Einstellsysteme des Werkzeuges nicht korrekt funktionieren.
  - **Die Abmessungen der Halterung des Zubehörteils müssen den Abmessungen der Halterung des Elektrogeräts entsprechen.** Zubehörteile die nicht an das Gerät passen, drehen sich mit Unwucht, vibrieren übermäßig und können zu Kontrollverlust führen.
  - **Benutzen Sie kein beschädigtes Zubehör. Kontrollieren Sie vor jeder Verwendung Einsatzwerkzeuge wie Schleifscheiben auf Absplitterungen und Risse, Schleifteller auf Risse, Verschleiß oder starke Abnutzung, Drahtbürsten auf lose oder gebrochene Drähte.** Wenn das Elektrowerkzeug oder das Einsatzwerkzeug herunterfällt, überprüfen Sie, ob es beschädigt ist, oder verwenden Sie ein unbeschädigtes Einsatzwerkzeug. Nachdem Sie den korrekten Zustand des Zubehörs geprüft und sie es montiert haben, nehmen Sie Abstand vom beweglichen Zubehörteil und lassen das Werkzeug eine Minute lang auf Höchstgeschwindigkeit laufen. Wenn das Zubehörteil beschädigt ist, bricht es bei diesem Test.
  - **Persönliche Schutzausrüstung tragen.** Tragen Sie je nach Verwendungsart Ihres Werkzeuges einen Vollgesichtsschutz, Augenschutz, oder Schutzbrille. Tragen Sie bei Bedarf eine Staubschutzmaske, einen Gehörschutz, Handschuhe und eine Schutzschürze, um sich gegen fliegende Fremdkörper (Schleifelemente, Holzspäne, usw.) zu schützen. Der Augenschutz muss in der Lage sein, umherfliegende Teile, die bei unterschiedlichen Anwendungen entstehen, abzuhalten. Die Staub- oder Atemmaske muss in der Lage sein, die von der jeweiligen Anwendung freigesetzten Partikel zu filtern. Anhaltender, starker Lärm kann zu Hörverlust führen.
  - **Bitten Sie Besucher darum, sich in gebührendem Abstand vom Arbeitsbereich aufzuhalten und Schutzkleidung zu tragen.** Jeder, der den Arbeitsbereich betritt muss eine persönliche Schutzausrüstung tragen. Splitter des zu bearbeitenden Teils oder zerbrochenes Zubehör können bis außerhalb des Arbeitsbereiches geschleudert werden und schwere Verletzungen verursachen.
  - **Halten Sie das Elektrowerkzeug nur an den isolierten Griffflächen, wenn Sie Arbeiten ausführen, bei denen das Einsatzwerkzeug verborgene Stromleitungen treffen kann.** Der Kontakt mit einer spannungsführenden Leitung kann auch metallene Geräteteile unter Spannung setzen und könnte zu einem elektrischen Schlag führen.
  - **Legen Sie Ihr Werkzeug nie ab, bevor das Zubehörteil vollständig zum Stillstand gekommen ist.** Das drehende Zubehörteil könnte mit der Oberfläche, auf der es abgelegt wurde, in Kontakt kommen und es besteht die Gefahr, dass Sie die Kontrolle über das Werkzeug verlieren.

- Lassen Sie Ihr Werkzeug nicht eingeschaltet, während Sie es transportieren. Das sich drehende Zubehörteil könnte sich in Ihren Kleidern verfangen und Sie schwer verletzen.
- Säubern Sie regelmäßig die Lüftungsspalten des Werkzeugs. Die Motorlüftung lässt Staub ins Motorgehäusinnere eindringen, dies kann zur Ansammlung von Metallpartikeln führen und Elektroschocks auslösen.
- Benutzen Sie Ihr Werkzeug nicht in der Nähe leicht entflammbarer Produkte. Funken könnten sie entflammen.
- Benutzen Sie kein Zubehör, das Kühlwasser benötigt. Die Benutzung von Wasser oder Kühlfüssigkeiten kann elektrische Schläge oder Elektroschocks verursachen.

#### Rückschlag und entsprechende Sicherheitshinweise

Rückschlag ist die plötzliche Reaktion infolge eines hakenden oder blockierten drehenden Einsatzwerkzeugs, wie Schleifscheibe, Schleifteller, Drahtbürste usw. Verhaken oder Blockieren führt zu einem abrupten Stopp des rotierenden Einsatzwerkzeugs. Dadurch wird ein unkontrolliertes Elektrowerkzeug gegen die Drehrichtung des Einsatzwerkzeugs an der Blockierstelle beschleunigt.

Wenn z. B. eine Schleifscheibe im Werkstück hakt oder blockiert, kann sich die Kante der Schleifscheibe, die in das Werkstück eintaucht, verfangen und dadurch die Schleifscheibe ausbrechen oder einen Rückschlag verursachen. Die Schleifscheibe bewegt sich dann auf die Bedienperson zu oder von ihr weg, je nach Drehrichtung der Scheibe an der Blockierstelle. Hierbei können Schleifscheiben auch brechen.

Ein Rückschlag ist die Folge eines falschen oder fehlerhaften Gebrauchs des Elektrowerkzeugs. Er kann durch geeignete Vorsichtsmaßnahmen, wie nachfolgend beschrieben, verhindert werden.

- Halten Sie das Elektrowerkzeug fest in beiden Händen und positionieren Sie Ihre Arme und den Körper so, dass Sie einem Rückstoß widerstehen können. Verwenden Sie immer den Zusatzgriff, falls vorhanden, um die größtmögliche Kontrolle über Rückschlagkräfte oder Reaktionsmomente beim Hochlauf zu haben. Die Bedienperson kann durch geeignete Vorsichtsmaßnahmen die Rückschlag- und Reaktionskräfte beherrschen.
- Bringen Sie Ihre Hand niemals in die Nähe des drehenden Zubehörs, dies kann im Falle eines Rückschlags schwere Körperverletzungen vermeiden. Zubehör kann über Ihre Hand zurückschlagen.
- Stellen Sie sich nicht in den Bereich, in deren Richtung das Werkzeug im Falle eines Rückschlags geschleudert werden könnte. Das Werkzeug wird bei einem Rückprall in die entgegen gesetzte Richtung der Scheibendrehung geschleudert.
- Arbeiten Sie besonders vorsichtig im Bereich von Ecken, scharfen Kanten usw. Verhindern Sie, dass Einsatzwerkzeuge vom Werkstück zurückprallen und verklemmen. Das rotierende Einsatzwerkzeug neigt bei Ecken, scharfen Kanten oder wenn es abprallt dazu, sich zu verklemmen. Dies verursacht einen Kontrollverlust oder Rückschlag.
- Montieren Sie keine Kettensäge, Holzschnitzmesser, segmentierte Diamantscheibe mit einem Seitenspalt

von mehr als 10 mm oder ein gezahntes Sägeblatt. Solche Einsatzwerkzeuge verursachen häufig einen Rückschlag oder den Verlust der Kontrolle über das Elektrowerkzeug.

#### Sicherheitswarnungen für das Abschleifen und Trennschleifen

- Nutzen Sie ausschließlich die für Ihr Elektrowerkzeug vorgesehenen Trennscheiben und die spezifische Schutzvorrichtung für die ausgewählte Scheibe. Schleifkörper, die nicht für das Elektrowerkzeug vorgesehen sind, können nicht ausreichend abgeschirmt werden und sind unsicher.
- Gekrüpfte Schleifscheiben müssen so montiert werden, dass ihre Schleiffläche nicht über die Ebene des Schutzhaubenrandes hinausragt. Schleifkörper, die nicht für das Elektrowerkzeug vorgesehen sind, können nicht ausreichend abgeschirmt werden und sind unsicher.
- Die Schutzvorrichtung muss zur Gewährleistung einer optimalen Sicherheit fest angebracht werden und so eingestellt sein, dass der Benutzer dem Schleifkörper so wenig wie möglich ausgesetzt ist. Die Schutzabdeckung hilft den Benutzer vor Scheibenfragmenten, versehentlicher Berührung mit der Schleifscheibe und Funken die Kleidung entzünden könnten zu schützen.
- Die Scheiben dürfen ausschließlich für die vorgesehenen Anwendungen verwendet werden. Schleifen Sie zum Beispiel nicht mit der Seite einer Trennscheibe. Trennschleifscheiben sind zum Umfangsschleifen vorgesehen, seitlich auf die solche Scheiben wirkende Kräfte können zum Zerschneiden der Scheibe führen.
- Verwenden Sie immer nur unbeschädigte Spannflansche in der richtigen Größe und mit der richtigen Form für die gewünschte Schleifscheibe. Ein korrekter Spannflansch unterstützt die Schleifscheibe, wodurch das Risiko eines Zerschneidens der Schleifscheibe verringert wird. Flansche für Trennscheiben können sich von denen für Schleifscheiben unterscheiden.
- Verwenden Sie keine abgenutzten Schleifscheiben von größeren Werkzeugen! Schleifscheiben, die für große Werkzeuge vorgesehen sind, sind für die höhere Geschwindigkeit des kleineren Werkzeugs nicht geeignet und können zerbrechen.
- Verwenden Sie bei zweifach verwendbaren Scheiben immer die korrekte Schutzvorrichtung für die auszuführende Anwendung. Wird nicht die korrekte Schutzvorrichtung verwendet, kann dies dazu führen, dass nicht die gewünschte Schutzwirkung entsteht, was zu schwerwiegenden Verletzungen führen kann.

#### Zusätzliche Sicherheitswarnungen für das Trennschleifen

- Vermeiden Sie ein Blockieren der Trennscheibe oder zu hohen Anpressdruck. Führen Sie keine übermäßig tiefen Schnitte aus. Eine Überlastung der Trennscheibe erhöht deren Beanspruchung und die Anfälligkeit zum Verhaken oder Blockieren und damit die Möglichkeit eines Rückschlags oder Schleifkörperbruchs.
- Meiden Sie den Bereich vor und hinter der rotierenden Trennscheibe. Wenn Sie die Trennscheibe

im Werkstück von sich weg bewegen, kann im Falle eines Rückschlags das Elektrowerkzeug mit der sich drehenden Scheibe direkt auf Sie zugeschleudert werden.

- **Wenn sich die Scheibe einklemmt oder ein Schnitt unterbrochen wird, schalten Sie das Elektrowerkzeug aus und halten Sie es still, bis die Scheibe vollständig zum Stillstand kommt. Versuchen Sie nie, die noch laufende Trennscheibe aus dem Schnitt zu ziehen, sonst kann ein Rückschlag erfolgen.** Ermitteln und beheben Sie die Ursachen für das Verklemmen.
- **Schalten Sie das Elektrowerkzeug nicht wieder ein, solange es sich im Werkstück befindet. Lassen Sie die Trennscheibe erst Ihre voll Drehzahl erreichen, bevor Sie den Schnitt vorsichtig fortsetzen.** Andernfalls kann die Scheibe verhaken, aus dem Werkstück springen oder einen Rückschlag verursachen.
- **Stützen Sie Platten und große Werkstücke ab, um das Risiko eines Rückschlags durch eine eingeklemmte Trennscheibe zu vermindern.** Große Werkstücke können sich unter ihrem eigenen Gewicht durchbiegen. Das Werkstück muss auf beiden Seiten der Scheibe abgestützt werden, und zwar sowohl in der Nähe des Trennschnitts als auch an der Kante.
- **Seien Sie besonders vorsichtig bei "Tauchsnitten" in bestehende Wände oder nicht einsehbare Bereiche.** Die eintauchende Trennscheibe kann beim Schneiden in Gas- und Wasserleitungen, elektrische Leitungen oder andere Objekte einen Rückschlag verursachen.
- **Versuchen Sie nicht, Bögen zu schneiden.** Das übermäßige Belasten der Scheibe verstärkt die Last und die Anfälligkeit der Scheibe, sich im Schnitt zu verdrehen oder steckenzubleiben, und die Möglichkeit eines Rückstoßes oder eines Scheibenbruchs, was zu schwerwiegenden Verletzungen führen kann.

#### ZUSÄTZLICHE SICHERHEITSWARNUNGEN

- Sichern Sie Ihr Werkstück mit einer Spannvorrichtung. Ungesicherte Werkstücke können schwere Verletzungen und Schäden verursachen.
- Verletzungen können durch lange Benutzung eines Werkzeugs entstehen oder verschlimmert werden. Machen Sie regelmäßig Pausen, wenn Sie ein Werkzeug für lange Zeit benutzen.
- Der Umgebungstemperaturbereich für das Werkzeug während des Betriebs liegt zwischen 0 °C und 40 °C.
- Der Umgebungstemperaturbereich für die Lagerung des Werkzeugs liegt zwischen 0 °C und 40 °C.
- Der empfohlene Umgebungstemperaturbereich für das Ladesystem während des Ladevorgangs liegt zwischen 10 °C und 38 °C.

#### WEITERE SICHERHEITSHINWEISE ZUM AKKU

Um die durch einen Kurzschluss verursachte Gefahr eines Brandes, von Verletzungen oder Produktbeschädigungen zu vermeiden, tauchen Sie das Werkzeug, den Wechselakku oder das Ladegerät nicht in Flüssigkeiten ein und sorgen Sie dafür, dass keine Flüssigkeiten in die Geräte und Akkus eindringen. Korrodierende oder leitfähige Flüssigkeiten, wie Salzwasser, bestimmte Chemikalien und Bleichmittel oder Produkte, die Bleichmittel enthalten, können einen

Kurzschluss verursachen.

- Der Umgebungstemperaturbereich für die Batterie während des Gebrauchs liegt zwischen 0 °C und 40 °C.
- Der Umgebungstemperaturbereich für die Lagerung der Batterie liegt zwischen 0 °C und 20 °C.

#### TRANSPORT VON LITHIUM AKKUS

Transportieren Sie den Akku gemäß Ihren örtlichen und nationalen Bestimmungen und Regeln.

Befolgen Sie alle besonderen Anforderungen für Verpackung und Beschriftung, wenn Sie Akkus von Dritten transportieren lassen. Stellen Sie sicher, dass beim Transport kein Akku in Kontakt mit anderen Akkus oder leitenden Materialien kommt, indem Sie die freien Anschlüsse mit Isolierband, nichtleitenden Kappen oder Kleband schützen. Beschädigte oder auslaufende Akkus dürfen nicht transportiert werden. Befragen Sie Ihre Transportfirma nach weiteren Informationen.

#### MACHEN SIE SICH MIT IHREM PRODUKT VERTRAUT

Siehe Seite 109.

1. Akku-Aufnahmeschacht
2. Handgriff, isolierte Grifffläche
3. Blockierknopf der Welle
4. Zusatzhandgriff
5. Arretierung Schutzhaube
6. Ohne Werkzeug montierbarer Schleifschutz
7. Paddelschalter
8. Sperrschalter
9. Äußere Scheibe
10. Schleifscheibe
11. Flansch
12. Spindelschaft
13. Bedienungsanleitung
14. Trennscheibe
15. Trennschutzhaube zur Montage ohne Werkzeug
16. Akku
17. Ladegerät

#### WARTUNG UND PFLEGE

- Das Produkt darf niemals an die Stromversorgung angeschlossen sein, wenn Sie Teile zusammenbauen, Einstellungen vornehmen, reinigen, Wartungsarbeiten durchführen, oder wenn das Produkt nicht benutzt wird. Das Trennen des Produkts von der Stromversorgung verhindert einen unbeabsichtigten Start, der zu schweren Verletzungen führen kann.
- Verwenden Sie zur Wartung ausschließlich original Ersatzteile, Zubehör und Aufsätze des Herstellers. Der Einsatz von anderen Teilen kann eine Gefahr verursachen oder das Produkt beschädigen.
- Lassen Sie niemals Bremsflüssigkeiten, Benzine, Produkte auf Erdölbasis, Rostlöser usw. mit den Plastikteilen in Kontakt geraten. Chemikalien können Plastik beschädigen, aufweichen oder zerstören, was zu schweren Verletzungen führen kann.
- Vermeiden Sie beim Reinigen der Plastikteile den Einsatz von Lösungsmitteln. Die meisten Kunststoffe können durch im Handel erhältliche Lösungsmittel beschädigt werden. Verwenden Sie einen sauberen Lappen für die Reinigung von Verschmutzungen, Karbonstaub usw.
- Alle Reparaturen sollten zur besseren Sicherheit und Zuverlässigkeit von einem autorisierten Kundendienst

durchgeführt werden.

## SYMBOLE



Sicherheitswarnung

n

Nennzahl

v

Volt



Gleichstrom

min<sup>-1</sup>

Anzahl Umdrehungen oder Bewegungen pro Minute



Bitte lesen Sie die Anweisungen sorgfältig, bevor Sie das Gerät einschalten.



Gehörschutz tragen



Augenschutz tragen



Tragen Sie eine Staubschutzmaske.



Tragen Sie Sicherheitshandschuhe



Tragen Sie rutschfeste Sicherheitsschuhe.



Benutzen Sie keine angeschlagene, gebrochene oder defekte Schleifscheibe



Nicht zum Schneiden benutzen



Benutzen Sie eine Schutzvorrichtung



Metall



Nicht zum Nassschleifen geeignet. Die Benutzung von Wasser oder Kühlflüssigkeiten kann elektrische Schläge oder Elektroschocks verursachen.



Nicht zum Abschleifen von Oberflächen nutzen.



Europäisches Konformitätskennzeichen



Britisches Konformitätskennzeichen



001

Ukrainisches Konformitätskennzeichen



EurAsian Konformitätszeichen



Elektrische Geräte sollten nicht mit dem übrigen Müll entsorgt werden. Bitte entsorgen Sie diese an den entsprechenden Entsorgungsstellen. Wenden Sie sich an die örtliche Behörde oder Ihren Händler, um Auskunft über die Entsorgung zu erhalten.

## SYMBOLE IN DER BEDIENUNGSANLEITUNG



Hinweis



Teile oder Zubehör getrennt erhältlich



Verriegelung



Öffnen



Stoppen des Produktes.



Ohne Kraft



Mit Kraft

Seguridad, desempeño y fiabilidad han sido las prioridades en el diseño de su amoladora angular.

### USO PREVISTO

Su amoladora angular está diseñada para ser utilizado por adultos que hayan leído y comprendido las instrucciones y advertencias recogidas en este manual y que puedan ser considerados responsables de sus acciones.

El producto está diseñado para llevar a cabo operaciones de amolado y corte en metales y piedra. Solo deben utilizarse los discos de corte adecuados descritos en la sección de especificaciones del producto de este manual con la amoladora angular.

Este producto está diseñado exclusivamente para su uso en seco. No utilice el producto en aplicaciones húmedas.

El producto está diseñado para su uso manual. El producto no se debe montar en un banco de trabajo.

Este producto está diseñado exclusivamente para un uso personal.

Utilice el producto exclusivamente para el uso para el que fue diseñado. Utilizar la herramienta eléctrica para realizar trabajos diferentes a los que esta herramienta está destinada podría dar como resultado una situación peligrosa.

**⚠ ADVERTENCIA! Lea atentamente todas las advertencias, instrucciones y especificaciones suministradas con la herramienta, y consulte las ilustraciones.** El incumplimiento de las instrucciones que se indican a continuación puede ocasionar diversos accidentes como incendios, descargas eléctricas y/o graves heridas corporales.

**Guarde todas estas advertencias e instrucciones para futuras referencias.**

### CONSIGNAS DE SEGURIDAD ESPECÍFICAS PARA LAS AMOLADORAS DE ÁNGULO

**ADVERTENCIAS DE SEGURIDAD COMUNES PARA LAS OPERACIONES DE AMOLADO O CORTE:**

- **Esta herramienta eléctrica está diseñada para funcionar como una herramienta de amolado o corte. Lea atentamente todas las advertencias, instrucciones y especificaciones suministradas con la herramienta, y consulte las ilustraciones.** El incumplimiento de las instrucciones que se indican a continuación puede ocasionar diversos accidentes como incendios, descargas eléctricas y/o graves heridas corporales.
- **Operaciones como el lijado, el cepillado, el pulido o la perforación de orificios no se deben realizar con esta herramienta eléctrica.** El incumplimiento de esta instrucción puede ocasionar accidentes y graves heridas corporales.
- **No manipule esta herramienta eléctrica para utilizarla de un modo que no sea el previsto y autorizado específicamente por el fabricante de la herramienta.** Una conversión de este tipo puede dar como resultado una pérdida de control y provocar lesiones personales graves.
- **No utilice ningún accesorio que no se haya diseñado de forma específica y autorizado por el fabricante de la herramienta.** Aun cuando pueda montar un accesorio en una herramienta, esto no le garantiza que pueda utilizar la herramienta con total seguridad.
- **La velocidad nominal del accesorio debe ser igual o superior a la velocidad máxima indicada en la herramienta.** Los accesorios que funcionen a una velocidad superior a su velocidad nominal pueden romperse y resultar proyectados de la herramienta.
- **El diámetro exterior y el grosor del accesorio deben corresponder a las características especificadas para la herramienta.** Si los accesorios no corresponden a las características indicadas, los sistemas de protección y ajuste de la herramienta no podrán funcionar correctamente.
- **Las dimensiones del accesorio de montaje deben coincidir con el hardware de montaje de la herramienta eléctrica.** Los accesorios que no encajen con el equipo de montaje de la herramienta se desequilibrarán, vibrarán en exceso y podrán dar lugar a una pérdida de control.
- **No utilice accesorios deteriorados. Antes de cada utilización, compruebe que el accesorio que va a utilizar se encuentra en buenas condiciones: compruebe que los discos abrasivos no están mellados o agrietados, que los patines no están desgarrados o gastados, que las cerdas de los cepillos metálicos no están demasiado gastadas o rotas. Si se cae la herramienta eléctrica o el accesorio, compruebe que ningún elemento está deteriorado o instale un accesorio nuevo. Después de comprobar que el accesorio se encuentra en buenas condiciones y una vez que lo haya montado, manténgase a distancia del accesorio móvil y deje que la herramienta alcance su velocidad máxima durante un minuto.** Si el accesorio está dañado, se romperá al realizar esta prueba.
- **Use el equipo de protección personal. En función del uso que haga de la herramienta, lleve una máscara de protección, gafas de seguridad o de protección. Si fuera necesario, lleve una mascarilla antipolvo, protecciones auditivas, guantes y un delantal de protección para protegerse de las proyecciones de cuerpos extraños (elementos abrasivos, virutas de madera, etc.).** La protección ocular debe ser capaz de detener los residuos generados por las diferentes aplicaciones. La mascarilla de polvo o el respirador deben ser capaces de filtrar las partículas generadas por las diferentes aplicaciones. La exposición prolongada a ruidos de fuerte intensidad puede causar una pérdida de audición.
- **Mantenga a las demás personas a una distancia prudente de la zona de trabajo y cerciórese de que lleven un equipo de protección. Cualquiera que entre en el área de trabajo debe utilizar equipo de protección personal.** Fragmentos de la pieza trabajada o de un accesorio roto pueden resultar proyectados más allá de la zona de trabajo y causar heridas graves.
- **Agarre la herramienta eléctrica por las superficies de agarre aislantes cuando realice una operación en la que el accesorio de corte puede ponerse en contacto con el cableado oculto.** El accesorio de corte que esté en contacto con un cable "vivo" puede transmitir corriente a las piezas metálicas de la herramienta que estén expuestas y el operador podría sufrir una descarga eléctrica.
- **No deje nunca la herramienta hasta que el accesorio se haya detenido completamente.** El accesorio en movimiento puede entrar en contacto con la superficie donde lo ha dejado y hacerle perder el control de la herramienta.

- **No transporte la herramienta mientras está funcionando.** El accesorio en movimiento podría engancharse en su ropa y causarle heridas graves.
- **Limpie con frecuencia las ranuras de ventilación de la herramienta. La ventilación del motor arrastra el polvo hacia el cárter del motor, lo que puede producir una acumulación excesiva de partículas metálicas y provocar descargas eléctricas.**
- **No utilice la herramienta cerca de productos inflamables.** Las chispas podrían provocar un incendio.
- **No utilice accesorios que requieran el uso de fluidos de refrigeración.** El uso de agua o de líquidos de refrigeración puede provocar electrocuciones o descargas eléctricas.

#### Advertencias de rebote y similares

El rebote es una reacción brusca que se produce al atascarse o engancharse el accesorio, como un disco de amolar, plato lijador, cepillo de alambre, etc. Al atascarse o engancharse el accesorio en funcionamiento, éste es frenado bruscamente. Ello puede hacer que pierda el control de la herramienta eléctrica y hacer que ésta salga impulsada en dirección opuesta al sentido de giro que tenía el accesorio.

En el caso de que por ejemplo, un disco amolador se atasque o bloquee en la pieza de trabajo, puede suceder que el canto del accesorio que penetra en el material se enganche, provocando la rotura del accesorio o el rebote del aparato. Según el sentido de giro y la posición del accesorio en el momento de bloquearse puede que éste resulte despedido hacia, o en sentido opuesto al usuario. En estos casos puede suceder que el accesorio incluso llegue a romperse.

Por lo tanto, el rebote es el resultado de una mala utilización de la máquina y/o de procedimientos o condiciones de corte incorrectas.

- **Mantenga un agarre firme con las dos manos colocadas en la herramienta eléctrica y coloque el cuerpo y los brazos de tal forma que puedan soportar las fuerzas de retroceso.** Si la herramienta cuenta con una empuñadura auxiliar, sosténgala siempre para tener un óptimo control de la herramienta en caso de producirse algún rebote o par de reacción al poner en marcha la herramienta. Adopte las medidas necesarias para poder controlar la herramienta en caso de producirse algún rebote o par de reacción.
- **No coloque nunca las manos cerca del accesorio en movimiento para evitar el riesgo de heridas graves en caso de producirse algún rebote.** Accesorio puede rebotar contra su mano.
- **No se ponga en la zona donde la herramienta puede resultar expulsada si se produce algún rebote.** De producirse algún rebote, la herramienta sería expulsada en el sentido opuesto al sentido de rotación del disco.
- **Preste especial atención cuando trabaje en ángulos, bordes cortantes, etc. Evite que el accesorio resbale o se atasque.** Cuando trabaja en ángulos o bordes cortantes o cuando la herramienta resbala, aumenta el riesgo de bloqueo del accesorio, lo que le puede hacer perder el control de la herramienta y provocar un rebote.
- **No acople una motosierra, una lámina para tallar madera, un disco de diamante segmentado con un hueco periférico de más de 10 mm o una hoja de sierra dentada.** Este tipo de hojas aumenta el riesgo de rebote y de pérdida de control de la herramienta.

#### Advertencias de seguridad específicas para las operaciones de amolado y de corte

- **Utilice únicamente discos especificados para su herramienta eléctrica y la protección diseñada específicamente para el disco seleccionado.** Los discos para los que la herramienta no ha sido diseñada no pueden ser adecuadamente protegidos y suponen un riesgo.
- **La superficie de corte de los discos hundidos en el centro debe montarse por debajo del plano del borde de la cubierta.** Un disco mal montado que se proyecta en el plano del borde de la cubierta no puede protegerse correctamente.
- **La protección debe estar firmemente sujeta a la herramienta y colocada para una seguridad máxima, de forma que se exponga la menor cantidad de disco hacia el operador.** La protección ayuda al operador a protegerse de fragmentos de rueda rotos, del contacto accidental con la rueda y de chispas que puedan incendiar la ropa.
- **Los discos se deben utilizar únicamente para las aplicaciones especificadas. Por ejemplo, no use los laterales de los discos de corte para amolar.** Los discos abrasivos de corte están destinados a las fuerzas laterales, de afilado periférico; si se aplican a estos discos puede hacer que se rompan.
- **Utilice siempre bridas en perfecto estado que tengan el tamaño la y forma correctos para el disco seleccionado.** Las bridas adecuadas soportan el disco, reduciendo así la posibilidad de rotura del mismo. Las bridas para discos tronadores pueden ser diferentes de aquellas para los discos de amolar.
- **No use discos desgastados de herramientas de mayor potencia.** Los discos diseñados para herramientas eléctricas más grandes no son adecuados para una velocidad más alta de las herramientas más pequeñas y podrían romperse.
- **Cuando utilice discos de doble finalidad, emplee siempre la protección correcta para la aplicación ejecutada.** Si no se utiliza la protección correcta, es posible que no se alcance el nivel de protección adecuado, lo que podría provocar una lesión grave.

#### Advertencias de seguridad adicionales específicas para las operaciones de corte

- **Procure no "atascar" el disco de corte o aplicar una presión excesiva. No trate de hacer una excesiva profundidad de corte.** La sobrecarga del disco aumenta la carga y la susceptibilidad a la torsión o al atasco del disco en el corte y la posibilidad de contragolpes o rotura del disco.
- **No coloque su cuerpo en línea con o detrás del disco giratorio.** Cuando el disco está en funcionamiento y se aleja de su cuerpo, un posible contragolpe podría proyectar el disco giratorio y la herramienta en dirección a usted.
- **Cuando el disco está bloqueado o si se interrumpe un corte por algún motivo, apague la herramienta eléctrica y maténgala inmóvil hasta que el disco se detenga por completo. Nunca trate de quitar el disco del corte mientras que la rueda esté en movimiento, ya que podría provocar un rebote.** Si el disco se atasca, averigüe la causa del problema y tome las medidas necesarias para que no se repita.



- **No reinicie la operación de corte en la pieza de trabajo. Deje que el disco alcance la máxima velocidad y con cuidado vuelva a introducir la herramienta para realizar el corte.** El disco se puede doblar, saltar o rebotar si la herramienta se vuelve a arrancar en la pieza de trabajo.
- **Apoye los paneles o cualquier pieza de gran tamaño para minimizar el riesgo de que se atasque el disco o de que la unidad rebote.** Las piezas de trabajo grandes tienden a hundirse por su propio peso. Los soportes deben colocarse bajo la pieza de trabajo cerca de la línea de corte y cerca del borde de la pieza de trabajo a ambos lados del disco.
- **Tenga mucho cuidado al hacer un "corte de bolsillo" en paredes u otras superficies similares.** El disco que sobresale puede cortar tuberías de gas o agua, cables eléctricos u objetos que pueden causar un efecto rebote.
- **No intente realizar cortes en curva.** La aplicación de una tensión excesiva sobre el disco aumenta la carga y la posibilidad de retorcer o bloquear el disco en la zona de corte, así como la probabilidad de que se produzcan retrocesos o la rotura del disco, lo que podría provocar lesiones graves.

#### AVISOS DE SEGURIDAD ADICIONALES

- Sujete la pieza de trabajo con un dispositivo de sujeción. Las piezas de trabajo mal sujetas pueden causar daños y lesiones graves.
- El uso prolongado de la herramienta puede provocar o agravar lesiones. Al utilizar cualquier herramienta durante períodos prolongados asegúrese de tomar descansos regulares.
- El rango de temperatura ambiente para la herramienta (producto) en funcionamiento es de entre 0 y 40 °C.
- El rango de temperatura ambiente en el entorno en el que se guarde la herramienta (producto) es de entre 0 y 40 °C.
- El rango de temperatura ambiente recomendado para el sistema de carga durante la carga es de entre 10 y 38 °C.

#### ADVERTENCIAS DE SEGURIDAD DE LA BATERÍA ADICIONAL

Para reducir el riesgo de incendio, lesión personales y daños al producto debido a un cortocircuito, no sumerja nunca la herramienta, el paquete de baterías o el cargador en líquido ni permita que fluya un fluido dentro de ellos. Los fluidos corrosivos o conductivos, como el agua de mar, ciertos productos químicos industriales y blanqueadores o lejías que contienen, etc., Pueden causar un cortocircuito.

- El rango de temperatura ambiente para la batería en uso es de entre 0 y 40 °C.
- El rango de temperatura ambiente para el almacenamiento de batería es de entre 0 y 20 °C.

#### TRANSPORTE DE BATERÍAS DE LITIO

Transporte la batería de conformidad con las disposiciones y las normativas locales y nacionales.

Cuando las baterías sean transportadas por un tercero, cumpla los requisitos especiales relativos al embalaje y etiquetado. Asegúrese de que ninguna batería entra en contacto con otra batería o con materiales conductores durante el transporte, proteja los conectores expuestos con

taponos o tapas aislantes no conductoras. No transporte baterías con fisuras o fugas. Para más asesoramiento, póngase en contacto con la empresa de distribución.

#### CONOZCA EL PRODUCTO

Consulte la página 109.

1. Puerto de la batería
2. Asa, superficie de agarre aislada
3. Botón de bloqueo del árbol
4. Asa lateral
5. Palanca de bloqueo de la protección
6. Protección de amolado con fijación sin herramientas
7. Interruptor de paleta
8. Interruptor de bloqueo
9. Disco de sujeción exterior
10. Disco para desbarbar
11. Brida
12. Eje del husillo
13. Manual del usuario
14. Disco de corte
15. Accesorio de protección de corte con fijación sin herramientas
16. Batería
17. Cargador

#### MANTENIMIENTO

- El aparato nunca debe estar conectado a una fuente eléctrica mientras se estén montando las piezas, realizando ajustes, limpiando, llevando a cabo el mantenimiento o cuando no esté en uso. Desconectar el producto de la fuente de suministro evitará que se encienda de manera accidental, lo que podría provocar lesiones graves.
- En el mantenimiento, utilice sólo piezas de repuesto y accesorios originales del fabricante. El uso de otras piezas puede ocasionar riesgos o daños en el producto.
- No permita en ningún momento que las piezas de plástico entren en contacto con líquido de frenos, gasolina, productos derivados del petróleo, aceites penetrantes, etc. Los productos químicos pueden dañar, destruir o debilitar el plástico, lo que puede ocasionar graves daños personales.
- Evite el uso de disolventes para limpiar las piezas de plástico. La mayor parte de los plásticos pueden resultar dañados con los disolventes que se venden en el mercado. Utilice un paño limpio para quitar las impurezas, el polvo, etc.
- Para una mayor seguridad y fiabilidad, todas las reparaciones deben ser realizadas por un centro de servicio autorizado.

#### SÍMBOLOS



Alerta de seguridad

**n**

Velocidad nominal

**V**

Voltios



Corriente directa

**min<sup>-1</sup>** Número de revoluciones o movimientos por minuto



Por favor lea las instrucciones detenidamente antes de arrancar la máquina.



Utilice dispositivos de protección para los oídos



Utilice gafas de seguridad



Utilice una máscara antipolvo.



Use guantes de seguridad para las manos



Utilice calzado de seguridad antideslizante.



No utilice una rueda de esmeril picada, rajada o defectuosa



No apto para cortar



Utilice protección



Metal



No apto para amolado húmedo. El uso de agua o de líquidos de refrigeración puede provocar electrocuciones o descargas eléctricas.



No utilice este producto en trabajos de amolado frontal.



Marca de conformidad europea



Marca de conformidad británica



Marca de conformidad de Ucrania

001



Certificado EAC de conformidad



Los productos eléctricos de desperdicio no deben desecharse con desperdicios caseros. Por favor recíclelos donde existan dichas instalaciones. Compruebe con su autoridad local o minorista para reciclar.

## SÍMBOLOS EN ESTE MANUAL



Nota



Las piezas o accesorios se venden por separado



Bloquear



Desbloquear



Detenga el aparato.



Sin fuerza



Con fuerza

E' stata data massima priorità a sicurezza, prestazioni e affidabilità nel design di questa smerigliatrice angolare.

## UTILIZZO

La smerigliatrice angolare è adatta per essere utilizzata da adulti che hanno letto e compreso le istruzioni e gli avvertimenti nel presente manuale e che possono quindi essere considerati responsabili delle loro azioni.

Il prodotto è pensato per la smerigliatura e il taglio di metalli e materiali in pietra. Utilizzare con questa smerigliatrice angolare solo dischi di smerigliatura indicati nella sezione specifiche del presente manuale.

Il prodotto è destinato esclusivamente all'uso asciutto. Non utilizzare il prodotto per applicazioni bagnate.

Il prodotto è progettato per un uso portatile. Il prodotto non deve essere montato su un banco.

Il prodotto è destinato esclusivamente all'uso da parte del consumatore.

Non utilizzare il prodotto in modi diversi da quelli indicati. Utilizzare l'elettrotensile per operazioni diverse da quelle indicate potrà causare situazioni pericolose.

**⚠ AVVERTENZE! Leggere attentamente tutte le avvertenze, le istruzioni e le specifiche fornite con l'apparecchio e fare riferimento alle illustrazioni.** La mancata osservanza delle istruzioni riportate di seguito potrebbe provocare incidenti quali incendi, scosse elettriche e/o gravi lesioni fisiche.

**Conservare tutte le istruzioni e le avvertenze per eventuali riferimenti futuri.**

## NORME DI SICUREZZA SPECIFICHE PER LE MOLATRICI ANGOLARI

**AVVISI DI SICUREZZA COMUNI PER OPERAZIONI DI SMERIGLIATURA O INTAGLIATURA.**

- **Questo elettrotensile è pensato per funzionare come smerigliatrice o attrezzo di taglio. Leggere attentamente tutte le avvertenze, le istruzioni e le specifiche fornite con l'apparecchio e fare riferimento alle illustrazioni.** La mancata osservanza delle istruzioni riportate di seguito potrebbe provocare incidenti quali incendi, scosse elettriche e/o gravi lesioni fisiche.
- **Operazioni come smerigliatura, levigatura, lucidatura o lama per fori non devono essere effettuate con questo elettrotensile.** La mancata osservanza di questa norma può provocare incidenti e gravi lesioni fisiche.
- **Non convertire questo elettrotensile per farlo funzionare nel modo che non è specificamente progettato e specificato dal produttore.** Tale conversione può comportare una perdita di controllo e causare gravi lesioni personali.
- **Non utilizzare accessori che non sono specificamente progettati e indicati dal produttore dello strumento.** Anche se un accessorio può essere montato su un apparecchio, ciò non garantisce che l'apparecchio possa comunque essere utilizzato in totale sicurezza.
- **La velocità nominale dell'accessorio deve essere pari o superiore alla velocità massima indicata sull'apparecchio.** Gli accessori utilizzati ad una velocità superiore alla loro velocità nominale possono infatti rompersi ed essere proiettati verso l'esterno.
- **Il diametro esterno e lo spessore dell'accessorio devono corrispondere alle caratteristiche specificate per l'apparecchio.** Se gli accessori non corrispondono alle caratteristiche indicate, i sistemi di protezione e di regolazione dell'apparecchio non possono funzionare correttamente.
- **Le dimensioni dell'accessorio devono adattarsi alle dimensioni della struttura di montaggio dell'elettrotensile.** Gli accessori non adeguati ad essere montati sull'elettrotensile perderanno equilibrio, vibreranno eccessivamente e potranno causare perdita di controllo.
- **Non utilizzare un accessorio danneggiato. Prima di ciascun impiego, assicurarsi che l'accessorio utilizzato sia in buono stato: accertarsi quindi che i dischi abrasivi non siano scheggiati né fessurati, che i pattini non siano lacerati né usurati e che le setole delle spazzole metalliche non siano eccessivamente usurate né rotte. In caso di caduta dell'apparecchio o dell'accessorio, assicurarsi che non vi siano componenti danneggiati e, all'occorrenza, installare un accessorio nuovo. Dopo avere verificato che l'accessorio è in buono stato e dopo averlo installato, tenersi a debita distanza dall'accessorio mobile ed attendere circa un minuto affinché l'apparecchio raggiunga la velocità massima.** Se l'accessorio è danneggiato, si romperà durante questo test.
- **Indossare dispositivi equipaggiamento di protezione personale. A seconda dell'uso a cui è destinato l'apparecchio, indossare una maschera protettiva, occhiali di sicurezza o occhiali di protezione. All'occorrenza, indossare una maschera antipolvere, dispositivi di protezione uditiva, guanti ed un grembiule di protezione per proteggersi da eventuali proiezioni di corpi estranei (elementi abrasivi, trucioli di legno, ecc.).** La protezione per gli occhi deve poter fermare i detriti volanti generati da diverse applicazioni. La maschera per la polvere o il respiratore deve essere in grado di filtrare le particelle generate dalla specifica applicazione. L'esposizione prolungata ad un rumore di forte intensità può comportare la perdita dell'udito.
- **Tenere le persone estranee a debita distanza dalla zona di lavoro ed assicurarsi che indossino un'attrezzatura di protezione. Persone che entrano nella zona di lavoro deve indossare dispositivi di protezione individuale.** Eventuali frammenti del pezzo da lavorare o di un accessorio rotto possono essere scagliati oltre la zona di lavoro e causare gravi lesioni fisiche.
- **Sujete la máquina por la parte engomada cuando trabaje en una superficie debajo de la cual puedan pasar cables eléctricos.** Se la lama taglia un cavo "vivo" le parti esposte dell'elettrotensile potrebbero fare da conduttore e causare scosse elettriche.
- **Non posare mai l'apparecchio prima che l'accessorio si sia completamente arrestato.** L'accessorio in rotazione potrebbe entrare a contatto con la superficie sulla quale è posato e fare perdere il controllo dell'apparecchio.
- **Non fare funzionare l'apparecchio mentre lo si trasporta.** L'accessorio in rotazione potrebbe impigliarsi nei propri indumenti e causare gravi lesioni.
- **Pulire regolarmente le aperture di ventilazione dell'apparecchio. La ventilazione del motore fa**

**penetrare le polveri all'interno del carter del motore, con conseguente accumulo eccessivo di particelle metalliche e possibilità di scosse elettriche.**

- **Non utilizzare l'apparecchio nelle vicinanze di prodotti infiammabili.** Le eventuali scintille generate rischierebbero di incendiarsi.
- **Non utilizzare accessori che richiedono fluidi di raffreddamento.** L'utilizzo di acqua o di liquidi di raffreddamento può causare episodi di elettrocuzione o scosse elettriche.

#### **Rimbalzi e avvertenze correlate**

Il contraccolpo è una reazione improvvisa che si verifica quando la mola in movimento, il pattino, la spazzola o qualunque altro accessorio si incastra o si piega, con conseguente bloccaggio rapido dell'accessorio. L'apparecchio, che continua a funzionare, viene quindi proiettato nella direzione opposta a quella di utilizzo dell'accessorio.

Ad esempio, se un disco abrasivo si incastra o si piega nel pezzo da lavorare, il tagliente del disco rischia di penetrare nella superficie del pezzo facendo uscire bruscamente il disco dal pezzo e scagliandolo verso l'operatore o comunque a distanza. La ruota può saltare verso o lontano dall'operatore, a seconda della direzione del movimento della ruota al punto di pizzicamento. In caso di contraccolpo, il disco abrasivo può anche rompersi.

Il contraccolpo è pertanto il risultato di un utilizzo errato dell'apparecchio e/o di procedimenti o di condizioni di impiego inappropriati.

- **Mantenere una buona presa con entrambe le mani sull'elettrotensile e posizionare il corpo e le mani per consentire di resistere alle forze di contraccolpo.** Se l'apparecchio dispone di un'impugnatura ausiliaria, assicurarsi sempre di afferrarla per avere il controllo ottimale dell'apparecchio in caso di contraccolpo o di controcoppia al momento della sua messa in funzione. Adottare le misure necessarie per riuscire a controllare l'apparecchio in caso di contraccolpo o di controcoppia.
- **Non avvicinare mai la mano all'accessorio in rotazione, onde evitare qualunque rischio di gravi lesioni fisiche in caso di contraccolpo.** Accessorio possono causare contraccolpi alla mano.
- **Non sistemarsi nella zona in cui l'apparecchio rischia di essere scagliato in caso di contraccolpo.** In caso di contraccolpo, l'apparecchio viene scagliato nella direzione opposta al senso di rotazione del disco.
- **Prestare particolare attenzione quando si lavora su angoli, bordi taglienti, ecc. Evitare di fare slittare o di incastrare l'accessorio.** Quando si lavora su angoli o bordi taglienti o si fa slittare l'apparecchio, si accentua il rischio di bloccare l'accessorio e pertanto di perdere il controllo dell'apparecchio stesso e di provocare un contraccolpo.
- **Non collegare una catena, una lama per taglio del legno, una ruota segmentata alla polvere di diamante con un taglio periferico più profondo di 10 mm o una motosega dentata.** Queste lame aumentano infatti il rischio di contraccolpo e di perdita di controllo dell'apparecchio.

**Avvisi di sicurezza specifici per operazioni di smerigliatura e taglio**

- **Utilizzare esclusivamente tipi di ruote specifici per l'elettrotensile e protezioni specifiche per la ruota**

**selezionata.** L'utilizzo di ruote non progettate per essere utilizzate con questo utensile non garantirà la protezione e la sicurezza dell'operatore.

- **La superficie delle ruote a pressione centrale deve essere montata a un livello inferiore rispetto al bordo del dispositivo di protezione.** Una ruota non adeguatamente montata che si proietti attraverso il bordo del dispositivo di protezione non può essere adeguatamente protetta.
- **I pararuote devono essere collegati all'elettrotensile in modo da garantire una massima sicurezza, lasciando solo una minima parte delle ruote esposta verso l'operatore.** La protezione aiuta a proteggere l'operatore da frammenti di ruota taglienti, contatto accidentale e scintille in grado di infiammare gli indumenti.
- **Le ruote devono essere utilizzate solo per applicazioni specificate. Per esempio, non svolgere operazioni di smerigliatura con la parte laterale delle ruote di taglio.** Le ruote di taglio abrasive sono progettate per molature periferiche, applicare eccessiva forza su di esse potrà romperle.
- **Utilizzare sempre flange per ruote non danneggiate delle corrette dimensioni e misure, adatte alle ruote selezionate.** Le flange per le ruote sostengono le ruote riducendo la possibilità di rottura. Le flange per le ruote di taglio possono essere diverse dalle flange delle ruote di smerigliatura.
- **Non utilizzare ruote consumate per elettrotensili grandi.** Le ruote indicate per elettrotensili più grandi non sono adatte per velocità più alte di utensili più piccoli e potranno scoppiare.
- **Quando si utilizzano ruote per doppio uso, utilizzare la protezione corretta per l'applicazione eseguita.** Il mancato utilizzo della protezione corretta potrebbe non fornire il livello di protezione desiderato che potrebbe portare a gravi lesioni.

**Avvisi di sicurezza aggiuntivi per le operazioni di taglio**

- **Non "incastrare" la ruota di taglio o applicare eccessiva pressione. Non tentare di fare un taglio eccessivamente profondo.** Applicare una eccessiva forza sulla ruota aumenterà il carico e la possibilità che la ruota si pieghi o rimanga incastrata nel taglio e la possibilità di rimbalzi o di rottura delle ruote.
- **Non posizionare il corpo in linea o dietro la ruota in movimento.** Quando la ruota, durante il funzionamento, si sposta dal corpo, il rimbalzo potrà spingere la ruota e l'utensile verso l'operatore.
- **Quando la ruota è inceppata o si interrompe il taglio per qualche ragione, spegnere l'elettrotensile e tenere l'unità di taglio ferma fino a quando la ruota non si arresta completamente. Non tentare mai di rimuovere la ruota di taglio dal taglio mentre è in movimento, in caso contrario si potrà verificare un rimbalzo.** Se il disco si incastra, individuarne la causa e adottare le misure necessarie affinché ciò non si verifichi più.
- **Non riavviare le operazioni di taglio sul pezzo sul quale si sta lavorando. Lasciare che la ruota raggiunga la massima velocità quindi reinserire la lama nel taglio.** La ruota potrà incastrarsi, rimanere bloccata o scagliare contro l'operatore corpi estranei se l'elettrotensile viene riavviato nel pezzo sul quale si sta lavorando.

- **Reggere pannelli o pezzi più grandi sui quali si sta lavorando per minimizzare il rischio che la ruota rimanga incastrata e rischi di rimbalzo.** I pezzi molti grandi sui quali si lavora tendono a cedere sotto il proprio peso. I sostegni dovranno essere posizionati sotto il pezzo sul quale si sta lavorando accanto alla linea di taglio e vicino all'estremità del pezzo sul quale si sta lavorando su entrambi i lati della ruota.
- **Fare ulteriore attenzione quando si svolgono "tagli di profondità" in muri o altre zone cieche.** La ruota che protrude potrà tagliare tubi del gas e dell'acqua, cavi elettrici o scagliare verso l'operatore corpi estranei.
- **Non provare ad effettuare il taglio curvo.** Stressando eccessivamente la ruota si incrementa il carico e la suscettibilità alla rotazione o all'inceppamento della ruota nel taglio e la possibilità di contraccolpo o di rottura della ruota, che può causare gravi danni.

#### ULTERIORI AVVERTENZE DI SICUREZZA

- Agganciare il pezzo sul quale si sta lavorando con un morsetto. Pezzi non assicurati correttamente potranno causare gravi lesioni e danni.
- L'utilizzo prolungato dell'utensile potrà causare o aggravare lesioni già esistenti. Quando si utilizza questo utensile per periodi di tempo prolungati, assicurarsi di fare sempre delle pause regolari.
- L'intervallo della temperatura ambiente per l'utensile durante l'azionamento rientra tra 0° C e 40° C.
- L'intervallo della temperatura ambiente per la conservazione dell'utensile rientra tra 0° C e 40° C.
- L'intervallo della temperatura ambiente raccomandato per il sistema di carica durante la carica rientra tra 10° C e 38° C.

#### AVVERTENZE AGGIUNTIVE PER LA SICUREZZA DELLA BATTERIA

Per ridurre il rischio d'incendio, di lesioni o di danni al prodotto causati da corto circuito, non immergere mai l'utensile, la batteria ricaricabile o il carica batterie in un liquido e non lasciare mai penetrare alcun liquido all'interno dei dispositivi e delle batterie. I fluidi corrosivi o conduttori come acqua salata, alcuni agenti chimici, agenti candeggianti o prodotti contenenti agenti candeggianti potrebbero provocare un corto circuito.

- L'intervallo della temperatura ambiente per la batteria durante l'utilizzo rientra tra 0° C e 40° C.
- L'intervallo della temperatura ambiente per la conservazione della batteria rientra tra 0° C e 20° C.

#### TRASPORTARE BATTERIE AL LITIO

Trasportare la batteria secondo quando indicato dalle norme e regolamentazioni locali e nazionali.

Seguire tutte le istruzioni speciali riportate sulla scatola e sull'etichetta quando si fanno trasportare batterie da eventuali terzi. Assicurarsi che le batterie non entrino in contatto con altre batterie o materiali conduttivi durante il trasporto proteggendo i connettori esposti con tappi isolanti, non conduttivi o nastro adesivo. Non trasportare batterie rotte o che perdono liquidi. Rivolgersi alla ditta distributrice per ulteriori consigli.

#### FAMILIARIZZARE CON IL PRODOTTO

Vedere a pagina 109.

1. Porta batterie
2. Impugnatura con superficie isolata antiscivolo
3. Pulsante di bloccaggio dell'albero
4. Maniglia laterale
5. Leva di blocco dsmisitivo di protezione
6. Protezione per smerigliatura senza strumenti
7. Interruttore a leva
8. Interruttore di blocco
9. Flangia esterna
10. Mola per sbavatura
11. Flangia
12. Albero rotante
13. Manuale utente
14. Disco di taglio
15. Accessorio di protezione dal taglio senza elettroutensile
16. Gruppo batterie
17. Caricatore

#### MANUTENZIONE

- Questo prodotto non dovrà mai essere collegato all'alimentazione mentre si montano le sue parti, svolgono regolazioni, operazioni di pulizia e manutenzione o quando il prodotto non viene utilizzato. Scollegando il prodotto dall'alimentazione se ne previene l'avviamento accidentale che potrebbe causare lesioni gravi.
- Durante le operazioni di manutenzione, utilizzare solo le parti di ricambio, gli accessori e le parti di collegamento della ditta produttrice originale. Utilizzare parti di ricambio diverse potrebbe causare rischi o danneggiare il prodotto.
- Non lasciare che liquidi per freni, benzina, prodotti a base di petrolio, oli penetranti, ecc, entrino in contatto con le parti in plastica. Le sostanze chimiche potranno danneggiare, indebolire o distruggere la plastica, il che potrà risultare in gravi lesioni personali.
- Evitare di utilizzare solventi quando si puliscono le parti in plastica. La maggior parte dei materiali plastici rischia di essere danneggiata dall'uso dei solventi disponibili in commercio. Utilizzare un panno pulito per rimuovere lo sporco, la polvere, ecc.
- Per maggiore sicurezza e affidabilità, tutte le riparazioni dovranno essere svolte da un centro servizi autorizzato.

#### SIMBOLI



Indicazioni sicurezza

**n**

Velocità nominale

**V**

Volt



Corrente diretta

**min<sup>-1</sup>**

Numero di giri o di movimenti al minuto



Leggere attentamente le istruzioni prima di avviare l'utensile.



Indossare cuffie di protezione



Indossare occhiali di protezione



Indossare una maschera per la polvere.



Indossare guanti di sicurezza



Indossare scarpe di sicurezza antisdrucchiolo.



Non utilizzare ruote smerigliatrici consumate, rotte o difettose



Non utilizzare per operazioni di taglio



Utilizzare una protezione



Metallo



Utensile non indicato per lavori di smerigliatura umida. L'utilizzo di acqua o di liquidi di raffreddamento può causare episodi di elettrocuzione o scosse elettriche.



Non usare per smerigliare le superfici.



Marchio di conformità europeo



Marchio di conformità britannico



Marchio di conformità ucraino



Marchio di conformità EurAsian



I prodotti elettrici non devono essere smaltiti con i rifiuti domestici. Vi sono strutture per smaltire tali prodotti. Informarsi presso il proprio Comune o rivenditore di sicurezza per smaltire adeguatamente tali rifiuti.



Blocco



Sblocco



Arrestare il prodotto.



Senza forza



Con forza

## SIMBOLI NEL MANUALE



Note



Parti o accessori venduti separatamente

Veiligheid, prestaties en betrouwbaarheid kregen topprioriteit in het ontwerp van uw haakse slijpmachine.

## BEOOGD GEBRUIK

De haakse slijpmachine is uitsluitend geschikt om te worden gebruikt door volwassenen die de instructies en waarschuwingen in deze gebruiksaanwijzing hebben gelezen en begrepen en die als verantwoordelijk voor hun handelingen kunnen worden beschouwd.

Het apparaat is ontworpen voor het slijpen en doorslijpen van metalen en steenmaterialen. Alleen geschikte slijpschijven, zoals beschreven in de productspecificatie van deze gebruiksaanwijzing, mogen op de haakse slijpmachine worden gemonteerd.

Het apparaat is uitsluitend bedoeld voor gebruik in droge omstandigheden. Gebruik het apparaat niet voor natte toepassingen.

Het product is ontworpen voor draagbaar gebruik. Het apparaat mag niet op een werkbank worden gemonteerd.

Het product is alleen bedoeld voor consumenten.

Gebruik het product niet voor andere doeleinden dan waarvoor het is bestemd. Het gebruik van het werktuig voor niet-voorgeschreven gebruik kan leiden tot gevaarlijke situaties.

**⚠ WAARSCHUWING!** Lees aandachtig alle waarschuwingen, aanwijzingen en specificaties die bij deze machine worden meegeleverd en bestudeer de afbeeldingen. Als u onderstaande voorschriften niet opvolgt, kan dit leiden tot ongelukken zoals brand, elektrische schokken en/of ernstig lichamelijk letsel.

**Bewaar alle waarschuwingen en instructies voor toekomstig gebruik.**

## SPECIFIEKE VEILIGHEIDSVOORSCHRIFTEN VOOR HAAKSE SLIJPERS

### VEILIGHEIDSVOORSCHRIFTEN VOOR SLIJPEN OF DOORSLIJPEN.

- **Dit elektrische gereedschap is bestemd voor gebruik als slijp- of doorslijpwerktuig. Lees aandachtig alle waarschuwingen, aanwijzingen en specificaties die bij deze machine worden meegeleverd en bestudeer de afbeeldingen.** Als u onderstaande voorschriften niet opvolgt, kan dit leiden tot ongelukken zoals brand, elektrische schokken en/of ernstig lichamelijk letsel.
- **Bewerkingen zoals schuren, draadborstelen, polijsten en gaten snijden mogen met dit elektrische gereedschap niet worden uitgevoerd.** Niet naleving van dit voorschrift kan ongelukken en ernstig lichamelijk letsel veroorzaken.
- **Dit elektrische apparaat mag niet worden gemodificeerd, zodat het werkt op een manier die niet specifiek door de fabrikant van het apparaat is bedoeld en gespecificeerd.** Een dergelijke modificatie kan leiden tot controleverlies en ernstig persoonlijk letsel veroorzaken.
- **Gebruik geen accessoires die niet specifiek door de fabrikant van het gereedschap zijn ontworpen en gespecificeerd.** Ook al kan een accessoire wel op de machine worden gemonteerd, garandeert dit niet dat u de machine geheel veilig kunt gebruiken.
- **De nominale snelheid van de accessoire moet hoger of gelijk zijn aan de maximale snelheid die op de machine is aangegeven.** Als accessoires op een snelheid werken die hoger is dan hun nominale snelheid, kunnen ze breken of worden weggeslingerd.
- **De buitendiameter en de dikte van de accessoire moeten overeenkomen met de specificaties die zijn voorgeschreven voor de machine.** Als de accessoires niet overeenkomen met de voorgeschreven specificaties, werken de beveiligings- en afstellingsystemen van de machine mogelijk niet naar behoren.
- **De afmetingen van het bevestigingsaccessoire moeten passen bij de afmetingen van de bevestiging van het elektrische gereedschap.** Accessoires die niet op de hardware van het werktuig passen, zullen buiten evenwicht werken, overmatig trillen of leiden tot controleverlies.
- **Gebruik een accessoire niet als het is beschadigd. Controleer eerst de accessoire in goede staat is voordat u het gaat gebruiken: controleer of doorslijpschijven niet zijn ingekeept of gescheurd en of haren van staalborstels niet zijn versleten of afgebroken. Controleer of er geen elementen zijn beschadigd en installeer zodig een nieuw accessoire als de machine of accessoire is gevallen. Na te hebben gecontroleerd of de accessoire in goede staat is en na dit te hebben geïnstalleerd, zorgt u dat u op afstand blijft van de accessoire en laat u de machine gedurende één minuut op volle toeren draaien.** Als de accessoire is beschadigd, zal het gedurende deze test breken.
- **Draag persoonlijke beschermingsmiddelen. Afhankelijk van het gebruik dat u van uw machine maakt, dient u een veiligheidsmasker, veiligheidsbril of beschermbril te dragen. Draag al naar behoefte een stofmasker, gehoorbeschermers, handschoenen en een veiligheidsschoort om u te beschermen tegen alle eventueel rondslingerde voorwerpen (slijpsel, zaagsel, stukjes hout, enz.).** De oogbescherming moet geschikt zijn rondvliegende brokstukken tegen te houden, die bij diverse toepassingen ontstaan. Het stofmasker of ademhalingsapparaat moet in staat zijn de deeltjes te filteren, die bij een specifieke toepassing worden gegenereerd. Langdurige blootstelling aan intens geluid kan gehoorverlies veroorzaken.
- **Houd omstanders op redelijke afstand van de werkzone en zorg dat zij een veiligheidsuitrusting dragen. Iedereen die zich binnen de werkzone moeten dragen van persoonlijke beschermingsmiddelen.** Fragmenten van het werkstuk of een accessoire kunnen buiten de werkzone worden weggeslingerd en ernstig lichamelijk letsel veroorzaken.
- **Houd de machine alleen vast aan geïsoleerde en slipvrije delen als u in een oppervlak of ondergrond werkt waarin zich elektrische leidingen kunnen bevinden.** Wanneer de accessoire een spanningvoerende leiding raakt, kunnen de blootgestelde onderdelen van de machine onder spanning komen waardoor de gebruiker wordt geëlectrocuteerd.
- **Leg de machine nooit neer voordat de accessoire volledig tot stilstand is gekomen.** Een nog draaiende accessoire zou in aanraking kunnen komen met het oppervlak waarop u het neerlegt en u de macht over de machine doen verliezen.

- **Laat de machine niet werken tijdens het transport.** De draaiende accessoire zou in uw kleding verstrikt kunnen raken en u ernstig kunnen verwonden.
- **Reinig regelmatig de ventilatieopeningen van de machine. De ventilatie van de motor doet stof in de motorombouw binnendringen, wat een overmatige opeenhoping van metaaldeeltjes kan veroorzaken en elektrische schokken kan veroorzaken.**
- **Gebruik de machine niet in de buurt van brandbare stoffen.** Door vorming kunnen deze in brand worden gestoken.
- **Gebruik geen accessoires waarvoor koelvloeistoffen zijn vereist.** Het gebruik van water of koelvloeistoffen kan elektrocuties of elektrische schokken veroorzaken.

#### Terugslag en aanverwante waarschuwingen

Een terugslag is een plotselinge reactie die optreedt wanneer een draaiende slijpschijf, schuurvoet, borstel of andere accessoire zich vastklemt of verbuigt, wat de snelle blokkering van de accessoire veroorzaakt. De machine wordt hierdoor in de tegengestelde richting van de gebruiksrichting van de accessoire geworpen.

Als bijvoorbeeld een doorslijpschijf zich vastklemt of verbogen raakt in het werkstuk, bestaat het gevaar dat de snijkant van de schijf zich diep in het oppervlak van het werkstuk drukt, waardoor de schijf plotseling uit het werkstuk kan komen. Het wiel kan zowel springen naar of uit de buurt van de exploitant, afhankelijk van de richting van de beweging van het wiel op de plaats van knippen. Bij een terugslag kan de doorslijpschijf ook breken.

Terugslag is dus het gevolg van een verkeerd gebruik van de machine en/of van onjuiste procedures of omstandigheden.

- **Houd het elektrische gereedschap met beide handen stevig vast en plaats uw lichaam en armen in een zodanige positie, dat u weerstand kunt bieden tegen de terugslagkrachten. Als de machine is voorzien van een zijhandgreep, dient u deze altijd te benutten om optimale macht over de machine te behouden bij terugslag of reactiekoppel wanneer de machine inschakelt.** Neem de nodige maatregelen om de machine in uw macht te kunnen houden ingeval van terugslag of reactiekoppel.
- **Plaats uw hand nooit in de nabijheid van de draaiende accessoire om gevaar voor ernstig lichamelijk letsel te voorkomen in geval van terugstuiten.** Accessoire kan terugslaan over je hand.
- **Plaats uzelf niet in het gebied waarheen de machine zou kunnen terugstuiten ingeval van terugslag.** Bij een terugslag wordt de machine in de tegenovergestelde richting van de draairichting van de schijf weggeslingerd.
- **Wees bijzonder waakzaam als u werkt aan de hoeken, scherpe randen, enz. Voorkom dat de accessoire uitschiet of beklemd raakt.** Wanneer u aan hoeken of scherpe randen werkt of wanneer u de machine laat uitschieten, is het gevaar om de accessoire te blokkeren veel groter, en om dus de macht over de machine te verliezen en een terugslag te veroorzaken.
- **Geen kettingzaag, houtzaagblad, gesegmenteerd diamant blad met een grotere perifere opening dan 10 mm of getand zaagblad bevestigen.** Dergelijke bladen verhogen het risico voor terugslag en verlies van de macht over de machine.

**Specifieke veiligheidsvoorschriften voor slijp- en doorslijpwerkzaamheden**

- **Gebruik uitsluitend schijftypes die zijn gespecificeerd voor uw elektrisch gereedschap en de specifieke beschermkap, die voor de geselecteerde schijf is ontworpen.** Slijpschijven die niet voor de machine zijn ontworpen zijn onveilig.
- **Het slijpoppervlak van de centraal ingedrukte wielen moet onder de schaaaf van de beschermkap worden gemonteerd.** Een foutief gemonteerd wiel dat door de schaaaf van de beschermkap uitsteekt, kan niet correct worden beschermd.
- **De beschermkap moet stevig op de machine worden vastgemaakt en afgesteld voor maximale veiligheid zodat zo weinig mogelijk van de slijpschijf aan de gebruiker wordt blootgesteld.** De beschermer helpt de gebruiker beschermen tegen gebroken wielfragmenten, accidenteel contact met het wiel en vonken die kledij kunnen doen ontbranden.
- **Schijven mogen alleen worden gebruikt voor gespecificeerde toepassingen. Zo is het verboden te slijpen met de rand van de slijpschijf.** Afbraamschijven zijn bedoeld voor periferisch slijpen, zijdelingse krachten die op deze slijpschijven worden uitgeoefend kunnen ervoor zorgen dat deze breken.
- **Gebruik altijd onbeschadigde flensen met de juiste afmetingen en vorm voor het wiel dat u heeft geselecteerd.** Degelijke wielflensen ondersteunen de slijpschijf zodanig dat de kans dat de slijpschijf breekt, kleiner wordt. Flensen voor afbraamschijven kunnen verschillen van flensen voor doorslijpschijven.
- **Gebruik geen versleten wielen van grotere werktuigen.** Slijpschijven, bedoeld voor grotere machines zijn niet geschikt voor de hogere snelheid van een kleinere machine en kan breken.
- **Bij gebruik van schijven voor dubbel gebruik, altijd de juiste beschermkap aanbrengen voor de uit te voeren toepassing.** Indien niet de juiste beschermkap wordt gebruikt is het mogelijk dat deze niet de gewenste mate van bescherming biedt, wat tot ernstig letsel kan leiden.

#### Aanvullende veiligheids waarschuwingen specifiek voor doorslijpwerkzaamheden

- **Blokkeer het afsnijwiel niet en pas geen overdreven druk uit. Probeer geen overdreven diepe insnedes te maken.** Wanneer u teveel druk op het wiel plaatst verhoogt dit de lading en gevoeligheid voor plooiën en verstrengelen van het wiel in de insnede en de mogelijkheid tot terugslag.
- **Plaats uw lichaam niet in lijn met en achter het draaiend wiel.** Wanneer het wiel op het moment dat het begint te werken zich weg van uw lichaam beweegt, kan een mogelijke terugslag het draaiend wiel en het werktuig in uw richting werpen.
- **Wanneer de schijf vastloopt of wanneer u een snede om welke reden dan ook onderbreekt, schakel dan het elektrische gereedschap uit en houd het snijblad stil, totdat de schijf volledig tot stilstand komt. Probeer het afsnijwiel nooit van de zaagsnede te verwijderen terwijl het wiel in beweging is; anders kan terugslag voorkomen.** Als de schijf zich vastklemt, moet u de oorzaak daarvan opzoeken en de nodige maatregelen nemen om te voorkomen dat het opnieuw gebeurt.
- **Herstart de zaagwerken niet in het werkstuk. Laat het wiel op topsnelheid komen en voeg de zaag**



**voorzichtig opnieuw in de zaagsnede.** Het wiel kan vastraken, oplopen of terugslaan als het werktuig in het werkstuk wordt herstard.

- **Ondersteun panelen of grote werkstukken om het risico dat het wiel vastraakt en terugslaat te minimaliseren.** Grote werkstukken hebben de neiging om onder hun eigen gewicht door te zakken. Steunen moeten onder het werkstuk aan beide zijden van het wiel nabij de zaaglijn en de rand van het werkstuk worden geplaatst.
- **Wees extra voorzichtig wanneer u een "zakinsnede" in een bestaande muur of andere blinde plaats maakt.** Het uitstekende wiel kan gas- of waterleidingen, elektrische bekabeling of voorwerpen die een terugslag kunnen veroorzaken, doorzagen.
- **Probeer niet om gebogen sneden te maken.** Overspanning van de schijf verhoogt de belasting en de gevoeligheid voor verdraaiing of vastlopen van de schijf in de snede en de mogelijkheid van terugslag of schijfbreuk, wat tot ernstig letsel kan leiden.

#### AANVULLENDE VEILIGHEIDSWAARSCHUWINGEN

- Klem het werkstuk met een klem vast. Werkstukken die niet zijn vastgeklemd kunnen ernstige letsels en schade veroorzaken.
- Letsels kunnen optreden of verergeren door langdurig gebruik van een gereedschap. Als u een werktuig gedurende langere periodes gebruikt, neem dan regelmatig pauze.
- Toegestane omgevingstemperatuur voor het gereedschap tijdens gebruik ligt tussen 0°C en 40°C.
- Toegestane omgevingstemperatuur voor het gereedschap bij opslag ligt tussen 0°C en 40°C.
- De aanbevolen omgevingstemperatuur voor het laadsysteem tijdens het laden ligt tussen 10°C en 38°C.

#### EXTRA WAARSCHUWINGEN BATTERIJVEILIGHEID

- Voorkom brand, persoonlijk letsel of materiële schade door kortsluiting en dompel het gereedschap, de wisselaccu en het laadtoestel niet onder in vloeistoffen en waarborg dat geen vloeistoffen in de apparaten en accu's kunnen dringen. Corrosieve of geleidende vloeistoffen zoals zout water, bepaalde chemicaliën, bleekmiddelen of producten die bleekmiddelen bevatten, kunnen een kortsluiting veroorzaken.
- Toegestane omgevingstemperatuur voor de accu tijdens gebruik ligt tussen 0°C en 40°C.
  - Toegestane omgevingstemperatuur voor opslag van de accu ligt tussen 0°C en 20°C.

#### VERVOEREN VAN LITHIUM BATTERIJEN

Vervoer de accu in overeenstemming met de plaatselijke en nationale voorzieningen en regelgevingen.

Volg alle speciale vereisten op de verpakking en etiketten bij het vervoeren van batterijen door een derde partij. Zorg dat de batterijen tijdens het vervoer niet in contact komen met andere batterijen of geleidende materialen door de blootliggende aansluitpunten te beschermen met een isolerende, niet-geleidende dop of tape. Geen gekraakte of lekkende accu's vervoeren. Controleer bij het doorsturende bedrijf voor verder advies.

#### KEN UW PRODUCT

Zie pagina 109.

1. Accupoort
2. Hendel, geïsoleerd grijpoppervlak
3. Asvergrendelingsknop
4. Zijhandvat
5. Beschermhendelvergrendeling
6. Beschermkap zonder slijpgereedschap
7. Knoppenschakelaar
8. Vergrendelingschakelaar
9. Buitenflens
10. Afbraamschijf
11. Flens
12. Spilas
13. Bedieningshandleiding
14. Flexschijf
15. Beschermkap zonder snijgereedschap
16. Batterijpak
17. Lader

#### ONDERHOUD

- Het product mag nooit worden aangesloten op de netvoeding bij het aansluiten van onderdelen, maken van afstellingen, schoonmaken, uitvoeren van onderhoud of als het product niet wordt gebruikt. Door het product los te koppelen van de stroomtoevoer voorkomt u incidenteel opstarten, wat ernstig letsel kan veroorzaken.
- Gebruik bij het onderhoud uitsluitend de originele reserveonderdelen, accessoires en bijzetstukken van de fabrikant. Gebruik van niet originele onderdelen kan gevaar opleveren of schade aan de machine veroorzaken.
- Remvloeistof, benzine, producten op basis van petroleum, kruipolie, enz mogen nooit in contact komen met kunststof onderdelen. Chemicaliën kunnen kunststof beschadigen, verzwakken of verwoesten, wat kan leiden tot ernstig letsel.
- Voorkom het gebruik van oplosmiddelen wanneer u kunststof onderdelen reinigt. De meeste kunststoffen kunnen worden beschadigd door de in de handel zijnde oplosmiddelen. Gebruik een schone doek om vuil of stof te verwijderen.
- Alle reparaties moeten worden uitgevoerd door een Erkend Servicecentrum teneinde de veilige en betrouwbare werking van de machine te garanderen.

#### SYMBOLEN



Veiligheidswaarschuwing

n

Nominaal toerental

V

Volt



Gelijkstroom

min<sup>-1</sup>

Aantal toeren of omwentelingen per minuut



Lees de instructies zorgvuldig voordat u de machine in gebruik neemt.



Draag gehoorbescherming



Draag gezichtsbescherming



Draag een stofmasker.



Draag veiligheidshandschoenen



Draag antislip veiligheidsschoenen.



Gebruik geen gebroken, gebarsten of defect slijpwiël



Niet geschikt voor zagen



Gebruik een beschermer



Metaal



Niet geschikt voor nat slijpen. Het gebruik van water of koelvloeistoffen kan elektrocuties of elektrische schokken veroorzaken.



Niet gebruiken voor oppervlakslijpen.



CE-markering



Brits conformiteitskeurmerk



Oekraïens conformiteitskeurmerk

001



EurAsian-symbool van overeenstemming



Elektrisch afval mag niet samen met ander huishoudafval worden weggegooid. Gelieve te recycleren indien de mogelijkheid bestaat. Neem contact op met uw gemeente of handelaar om advies te krijgen over recyclage.



Vergrendeling



Ontgrendeling



Product stoppen.



Zonder kracht



Met kracht

## SYMBOLEN IN DE GEBRUIKSAANWIJZING



Opmerking



Onderdelen of accessoires afzonderlijk gekocht

Segurança, desempenho e fiabilidade foram as prioridades na concepção da sua afiadora angular.

### UTILIZAÇÃO PREVISTA

A sua afiadora angular foi desenhado para ser utilizado por adultos que tenham lido e compreendido as instruções e avisos recolhidos neste manual e que possam ser considerados responsáveis das suas ações.

O produto foi concebido para esmerilar e cortar metais e materiais de rocha. Só devem utilizar-se as lixas descritas na secção de especificações do produto com a afiadora angular.

O produto destina-se apenas a uma utilização a seco. Não utilize o produto em aplicações molhadas.

O produto foi concebido para ser manipulado directamente com as mãos. O produto não se destina a ser montado numa bancada.

O produto destina-se apenas a uma utilização na ótica do consumidor.

Utilize o produto exclusivamente para o uso para o qual foi concebido. O uso da ferramenta eléctrica para as operações diferentes daquelas a que se destina podem causar uma situação perigosa.

**⚠ AVISO! Leia com atenção todas as advertências, instruções e especificações fornecidas com a ferramenta, e consulte as ilustrações.** O incumprimento das instruções seguintes pode ocasionar acidentes como incêndios, choques eléctricos e/ou ferimentos graves.

**Guarde todos os avisos e instruções para futuras consultas.**

### INSTRUÇÕES DE SEGURANÇA PARA A REBARBADORA ANGULAR

#### AVISOS DE SEGURANÇA COMUNS PARA OPERAÇÕES DE ESMERILAR OU CORTE.

- Esta ferramenta eléctrica destina-se a funcionar como ferramenta para esmerilar e cortar. Leia com atenção todas as advertências, instruções e especificações fornecidas com a ferramenta, e consulte as ilustrações. O incumprimento das instruções seguintes pode ocasionar acidentes como incêndios, choques eléctricos e/ou ferimentos graves.
- Operações tais como lixar, utilizar com escova de arame, polir ou perfurar não devem ser realizadas com esta ferramenta eléctrica. O incumprimento desta recomendação pode ocasionar acidentes e ferimentos graves.
- Não converta esta ferramenta eléctrica de tal forma que não seja especificamente concebida e especificada pelo fabricante da ferramenta. Tal conversão poderá resultar na perda de controlo e provocar graves ferimentos pessoais.
- Não utilize acessórios que não tenham sido especificamente concebidos e especificados pelo fabricante da ferramenta. Mesmo se um acessório puder ser montado numa ferramenta, isso não garante que possa utilizar esta ferramenta com toda a segurança.
- A velocidade nominal do acessório deve ser igual ou superior à velocidade máxima indicada na ferramenta. Os acessórios que funcionam a uma velocidade superior à sua velocidade nominal podem quebrar e ser ejectados.

- O diâmetro externo e a espessura do acessório devem corresponder às características especificadas para a ferramenta. Se os acessórios não corresponderem às características indicadas, os sistemas de protecção e de ajuste da ferramenta não poderão funcionar correctamente.
- As dimensões do suporte de acessórios devem ajustar-se às dimensões das ferragens de montagem da ferramenta eléctrica. Os acessórios que não encaixem no equipamento de montagem da ferramenta ficarão desequilibrados, vibrarão demasiado e poderão dar lugar a uma perda de controlo.
- Não utilize um acessório danificado. Antes de cada utilização, verifique se o acessório que vai utilizar está em bom estado. Confirme que os discos abrasivos não estão rachados ou fissurados, que as placas de lixar não estão rasgadas ou usadas, que os pêlos das escovas metálicas não estão usados demais ou quebrados. Se a ferramenta ou o acessório cair, verifique se nenhum elemento ficou danificado e, sendo necessário, instale um acessório novo. Se a ferramenta ou o acessório cair, verifique se nenhum elemento ficou danificado e, sendo necessário, instale um acessório novo. Se o acessório estiver danificado, vai quebrar durante este teste.
- Usar equipamento de protecção pessoal. Conforme a utilização que faz da sua ferramenta, use uma máscara de protecção, óculos de segurança ou óculos de protecção. Conforme a utilização que faz da sua ferramenta, use uma máscara de protecção, óculos de segurança ou óculos de protecção. A protecção ocular deve ter capacidade para deter os resíduos projectados e gerados por várias aplicações. As máscaras de pó ou respirador deve ter capacidade para filtrar as partículas geradas pela aplicação particular. As máscaras anti-poeira permitem filtrar as partículas criadas pela operação realizada.
- Mantenha os visitantes a boa distância da zona de trabalho e verifique se usam equipamento de protecção. Mantenha os visitantes a boa distância da zona de trabalho e verifique se usam equipamento de protecção. Os fragmentos da peça a trabalhar, ou de um acessório quebrado, podem ser projectados além da zona de trabalho e causar ferimentos graves.
- Segure a ferramenta unicamente pelas partes isoladas e anti-derrapantes quando trabalhar numa superfície que pode esconder fios eléctricos. O acessório de corte que entre em contacto com um fio "ligado" pode tornar as peças de metal da ferramenta eléctrica condutivas e tal pode causar um choque eléctrico ao operador.
- Nunca assente a ferramenta enquanto o acessório não estiver completamente parado. O acessório em rotação poderia entrar em contacto com a superfície onde está assente e fazer perder o controlo da ferramenta.
- Não faça funcionar a ferramenta quando a transporta. O acessório em rotação poderia prender-se nas roupas e causar ferimentos graves.
- Limpe regularmente as fendas de ventilação da ferramenta. A ventilação do motor faz penetrar as poeiras no cárter do motor, o que pode ocasionar uma acumulação excessiva de partículas metálicas e provocar choques eléctricos.

- **Não utilize a sua ferramenta próximo de produtos inflamáveis.** As chispas poderiam inflamá-los.
- **Não utilize acessórios que requerem fluidos de arrefecimento.** A utilização de água ou de líquidos de arrefecimento pode provocar electrocussões ou choques eléctricos.

#### Recuo e avisos associados

O contra-golpe é uma reacção súbita que se produz quando o rebolo em movimento, a placa de lixar, a escova ou qualquer outro acessório fica entalado ou torcido, o que provoca o bloqueio repentino do acessório. A ferramenta, que continua a funcionar, é então projectada na direcção oposta ao sentido de utilização do acessório.

Por exemplo, se um disco abrasivo ficar entalado ou torcido na peça a trabalhar, o gume do disco pode encravar-se na superfície da peça a trabalhar, fazendo com que o disco suba ou seja projectado bruscamente. A roda pode saltar para perto ou para longe do operador, dependendo da direcção do movimento da roda no ponto de perfuração. Em caso de contra-golpe, o disco abrasivo também pode quebrar.

Pode ser evitado tendo o cuidado de respeitar certas precauções.

- **Mantenha uma pressão firme com ambas as mãos na ferramenta eléctrica e posicione o corpo e os braços de modo a conseguir resistir às forças de retorno.** Se a ferramenta tiver uma pega auxiliar, esta deve ser sempre utilizada para ter um óptimo controlo da ferramenta em caso de contra-golpe ou binário de reacção ao pôr a ferramenta a trabalhar. Tome as disposições necessárias de modo a poder controlar a ferramenta em caso de contra-golpe ou binário de reacção.
- **Nunca ponha a mão próximo do acessório em rotação, de modo a evitar qualquer risco de ferimentos graves no caso de contra-golpe.** O acessório pode recuar mais de sua mão.
- **Não fique na zona onde a ferramenta pode ser projectada em caso contra-golpe.** Em caso de contra-golpe, a ferramenta é projectada na direcção oposta ao sentido de rotação do disco.
- **Preste uma atenção particular quando trabalha em ângulos, bordos cortantes, etc.** Evite fazer derrapar ou entalar o acessório. Quando trabalhar em ângulos ou bordos cortantes ou quando fizer derrapar a ferramenta, o risco de bloquear o acessório é maior, e por isso de perder o controlo da ferramenta e provocar um contra-golpe.
- **Não anexe uma motosserra, lâmina de talha, disco de diamante segmentado com um espaço periférico superior a 10 mm ou lâmina de serra dentada.** Estas lâminas aumentam o risco de contra-golpe e de perda de controlo da ferramenta.

#### Avisos de segurança específicos para operações de esmerilar e cortar

- **Utilize apenas tipos de rodas que sejam especificadas para a sua ferramenta eléctrica e o resguardo específico concebido para a roda seleccionada.** Os discos para os quais a ferramenta não foi concebida não podem ser adequadamente protegidos e implicam um risco.
- **A superfície de corte de rodas com centros côncavos deve ser montada abaixo do plano da protecção.** Uma

roda incorretamente montada que ultrapasse o plano da protecção não pode ser devidamente protegida.

- **A protecção deve estar firmemente presa à ferramenta e posicionada para proporcionar a máxima segurança, de modo a que a menor quantidade de disco fique exposto face ao operador.** A protecção ajuda a proteger o operador de estilhaços de uma mó partida, do contato acidental com a roda e fr faíscas que podem incendiar a roupa.
- **As rodas devem ser utilizadas apenas para as aplicações especificadas. Por exemplo, não triture com a parte lateral do disco de corte.** Os discos de corte são concebidos para a esmerilação periférica, sendo que as forças laterais aplicadas a esses discos podem fazer com que estilhacem.
- **Utilize sempre aletas em boas condições e do tamanho e forma correctos para o disco seleccionado.** As adequadas aletas de disco suportam o disco reduzindo, assim, a possibilidade de este se partir. As aletas dos discos de corte podem ser diferentes das aletas dos discos de trituração.
- **Não use discos desgastados de ferramentas eléctricas maiores.** Os discos destinados a ferramentas maiores não são adequados à velocidade superior de ferramentas mais pequenas e podem rebentar.
- **Ao utilizar rodas de dupla função, utilize sempre o resguardo correto para a aplicação em causa.** A não utilização do resguardo correto pode não fornecer o nível de protecção pretendido, o que pode conduzir a ferimentos graves.

#### Avisos de segurança específicos para operações de corte

- **Procure não "entupir" o disco de corte ou aplicar uma pressão excessiva. Não trate de fazer uma excessiva profundidade de corte.** A sobrecarga do disco aumenta a carga e a susceptibilidade à torção ou ao entupimento do disco no corte e a possibilidade de contragolpes ou rotura do disco.
- **Não coloque o seu corpo em linha com ou por trás do disco giratório.** Quando o disco está em funcionamento e distancia-se do seu corpo, um eventual contragolpe poderia projectar o disco giratório e a ferramenta em direcção a si.
- **Quando a roda fica presa ou ao interromper um corte por qualquer motivo, desligue a ferramenta eléctrica e segure a unidade de corte imóvel até que a roda pare por completo. Nunca tente retirar o disco de corte do corte enquanto o disco estiver em movimento, caso contrário poderá ocorrer uma força de recuo.** Se o disco ficar entalado, procure a causa e tome as medidas necessárias para que isso não volte a acontecer.
- **Não reinicie a operação de corte na peça a trabalhar. Permita que o disco alcance a velocidade total e volte a efectuar o corte cuidadosamente.** O disco pode prender, avançar ou recuar se a ferramenta for reiniciada na peça a trabalhar.
- **Apoie os painéis ou qualquer peça a trabalhar sobredimensionada para minimizar o risco de aperto do disco e consequente força de recuo.** As peças a trabalhar grandes têm tendência vergar sob o seu próprio peso. Os apoios devem ser colocados por baixo da peça a trabalhar perto da linha de corte e perto da borda da peça a trabalhar em ambos os lados do disco.

- **Tenha muito cuidado ao fazer um "corte de bolso" em paredes ou outras superfícies similares.** O disco saliente pode cortar tubos de gás ou água, fios eléctricos ou objectos que podem provocar uma força de recuo.
- **Não tente realizar um corte curvo.** O excesso de tensão na roda aumenta a carga e a suscetibilidade à torção ou dobra da roda, bem como a possibilidade de retorno ou quebra da roda, o que pode conduzir a ferimentos graves.

#### AVISOS DE SEGURANÇA ADICIONAIS

- Fixe a peça de trabalho com um dispositivo de fixação. As peças de trabalho mal presas podem causar danos e lesões graves.
- As lesões podem ser causadas ou agravadas pelo uso prolongado de uma ferramenta. Ao usar qualquer ferramenta durante períodos prolongados, assegure-se que faz intervalos regulares.
- A amplitude de temperatura ambiente para a ferramenta durante o funcionamento é entre 0 °C e 40 °C.
- A amplitude de temperatura ambiente para a ferramenta em armazenamento é entre 0 °C e 40 °C.
- A amplitude de temperatura ambiente recomendada para o sistema de carregamento durante o carregamento é entre 10 °C e 38 °C.

#### AVISOS DE SEGURANÇA ADICIONAIS DAS BATERIAS

Para evitar o risco de incêndio, de feridas ou de danificação do produto causado por um curto-circuito, não imerja a bateria intercambiável ou o carregador em líquidos e assegure-se de que líquidos não penetrem nos aparelhos ou nas baterias. Líquidos corrosivos ou condutivos como água salgada, determinadas substâncias químicas ou produtos que contenham branqueadores podem causar um curto-circuito.

- A amplitude de temperatura ambiente para a bateria durante a utilização é entre 0 °C e 40 °C.
- A amplitude de temperatura ambiente para a bateria em armazenamento é entre 0 °C e 20 °C.

#### TRANSPORTE DE BATERIAS DE LÍTIO

Transporte a bateria em conformidade com as disposições e os regulamentos locais e nacionais.

Respeite os requisitos especiais que existam na embalagem e a etiquetagem durante o transporte de baterias por terceiros. Assegure-se que não há risco de uma bateria entrar em contacto com outra bateria nem com materiais condutores durante o transporte, protegendo os conectores expostos com tampas ou fita isoladoras e não condutoras. Não transporte baterias com fissuras ou fugas. Contacte a empresa transitária para mais aconselhamento.

#### CONHEÇA O SEU PRODUTO

Consulte a página 109.

1. Orifício da bateria
2. Pega, superfícies de preensão isoladas
3. Botão de bloqueio do eixo
4. Pega lateral
5. Alavanca de bloqueio da protecção
6. Resguardo de esmerilar sem ferramentas
7. Interruptor
8. Interruptor de bloqueio

9. Flange externo
10. Disco de rebarbar
11. Flange
12. Eixo de accionamento
13. Manual do operador
14. Disco de corte
15. Acessório de protecção de corte sem ferramentas
16. Bateria
17. Carregador

#### MANUTENÇÃO

- O produto não deve nunca ligado à corrente eléctrica durante a montagem de peças, a realização de ajustes, limpeza, operações de manutenção ou quando não está em uso. Desligar o produto da fonte de alimentação eléctrica irá impedir o arranque acidental que poderia causar ferimentos graves.
- Na manutenção utilize apenas peças sobresselentes, acessórios e auxiliares originais do fabricante. O uso de quaisquer outras peças pode criar perigo ou causar danos ao aparelho.
- Nunca, em qualquer momento, deixe que fluidos de travagem, gasolina, produtos petrolíferos, óleos de perfuração, etc., entrem em contacto com as peças de plástico. Estes produtos químicos contêm substâncias que podem danificar, deteriorar ou destruir o plástico, o que poderia provocar ferimentos graves.
- Evite usar solventes ao limpar as peças de plástico. A maioria dos plásticos pode ser danificada pelos solventes vendidos no comércio. Utilize um pano limpo para remover as sujidades, o pó, etc.
- Para uma maior segurança e fiabilidade, todas as reparações devem ser realizadas por um centro de assistência autorizado.

#### SÍMBOLOS



Alerta de segurança

n

Velocidade Nominal

V

Volts



Corrente directa

min<sup>-1</sup>

Número de rotações ou movimentos por minuto



Agradecemos que leia atentamente as instruções antes de iniciar a máquina.



Use protecção para os ouvidos



Use protecção para os olhos



Use máscara contra pó.



Use luvas de segurança



Utilize calçado antiderrapante.



Com força



Não use uma mó lascada, rachada ou com defeito



Não use para cortar



Use uma proteção



Metal



Não se destina a ser utilizada com água. A utilização de água ou de líquidos de arrefecimento pode provocar electrocussões ou choques eléctricos.



Não utilizar para limar à face.



Marca europeia de conformidade



Marca britânica de conformidade



Marca ucraniana de conformidade



Marca de conformidade EurAsian



Os aparelhos eléctricos antigos não devem ser eliminados juntamente com o lixo doméstico. Recicle onde existem instalações para o efeito. Verifique com as suas Autoridades Locais ou revendedor para obter informações sobre reciclagem.

## SÍMBOLOS NESTE MANUAL



Nota



As peças ou acessórios vendem-se separadamente



Bloqueio



Abrir



Pare o aparelho.



Sem força

Sikkerhed, ydelse og driftssikkerhed har fået topprioritet i designet af din vinkelsliber.

### TILTÆNKT ANVENDELSESFORMÅL

Vinkelsliberen er kun beregnet til at blive brugt af voksne, som har læst og forstået instrukserne og advarslerne i denne brugsanvisning, og som kan betragtes som værende ansvarlige for deres handlinger.

Produktet er designet til slibning og skæring af metaller og stenmaterialer. Kun passende slibeskiver, som beskrevet i produktspecifikationen i denne brugsanvisning, må monteres på vinkelsliberen.

Produktet er kun beregnet til tør brug. Brug ikke produktet til våde anvendelser.

Produktet er designet til håndholdt brug. Produktet må ikke monteres på en arbejdsbænk.

Produktet er kun beregnet til hjemmebrug.

Produktet må kun bruges til de formål, der er angivet under formålsbestemt/korrekt brug. Brug af elværktøjet i strid med det tiltænkte anvendelsesformål kan medføre farlige situationer.

**⚠ ADVARSEL! Læs alle omhyggeligt alle advarsler, anvisninger og specifikationer, som følger med maskinen, og studer illustrationerne.** Hvis nedenstående forskrifter ikke overholdes, kan der ske uheld og ulykker som brand, elektrisk stød og/eller alvorlige personskader.

**Gem alle advarsler og brugsanvisninger til senere brug.**

### SÆRLIGE SIKKERHEDSREGLER I FORBINDELSE MED VINKELSLIBERE

**SIKKERHEDSADVARSLER FÆLLES FOR GROVSLIBNING OG AFSKÆRINGSOPERATIONER:**

- Dette elværktøj er tiltænkt at fungere som en grovsliber og et afskæringsværktøj. Læs alle omhyggeligt alle advarsler, anvisninger og specifikationer, som følger med maskinen, og studer illustrationerne. Hvis nedenstående forskrifter ikke overholdes, kan der ske uheld og ulykker som brand, elektrisk stød og/eller alvorlige personskader.
- Handlinger såsom finslibning, stålbørstning, polering og hulskæring må ikke udføres med dette elværktøj. Hvis denne regel ikke overholdes, kan der ske ulykker, så man kommer alvorligt til skade.
- Konverter ikke dette elværktøj til at fungere på en måde, det ikke specifikt er designet til, og som er specificeret af værktøjsproducenten. En sådan konvertering kan resultere i tab af kontrol og forårsage alvorlig personskade.
- Brug ikke tilbehør, som ikke er specielt designet og specificeret af værktøjsproducenten. Selv om en tilbehørsdel kan monteres på et værktøj, er der ingen garanti for, at det er forsvarligt at bruge værktøjet.
- Tilbehørets mærkehastighed skal være lig med eller højere end maksimalhastigheden anført på værktøjet. Hvis tilbehøret anvendes med en hastighed, der er højere end dets mærkehastighed, kan det knække og rive sig løs.
- Tilbehørets udvendige diameter og tykkelse skal svare til det for værktøjet specificerede. Hvis tilbehøret ikke svarer til de anførte specifikationer, virker værktøjets sikkerheds- og indstillingssystemer måske ikke efter hensigten.

- Dimensionerne på tilbehørsmontering skal passe til dimensionerne på el-værktøjets monteringsbeslag. Tilbehør, som ikke passer til elværktøjets monteringsudstyr, vil rotere ubalanceret, vibrere kraftigt og kan bevirke, at operatøren mister kontrollen.

- Brug aldrig en beskudiget tilbehørsdel. Inden værktøjet bruges, undersøges den anvendte tilbehørsdel: se slibeskiverne efter for revner og skår, slibepuderne for flænger og slitage og metalbørsterne for kraftig slitage og knækkede tråde. Hvis værktøjet eller tilbehøret falder på gulvet, skal alle dele undersøges for skader, og der påmonteres evt. nyt tilbehør. Efter tilbehøret er undersøgt for skader og monteret, holdes afstand til det roterende tilbehør, mens værktøjet kører et minut på fuld hastighed. Hvis tilbehøret er beskudiget, vil det knække under denne test.

- Bær personlige værnemidler. Brug beskyttelsesmaske, sikkerheds- eller beskyttelsesbriller afhængig af den pågældende opgave. Om nødvendigt bruges støvmaske, høreværn, handsker og beskyttelsesforklæde som sikring mod løsevne fremmedlegemer (slibeelementer, spåner m.v.). Øjenbeskyttelsen skal være i stand til at stoppe flyvende snavs genereret ved forskellige anvendelser. Støvmasken eller åndedrætsværnet skal være i stand til at filtrere partikler, der genereres af den specifikke anvendelse. Hvis man udsættes for kraftigt støj i længere tid, kan hørelsen tage skade.

- Sørg for at holde tilskuere i god afstand fra arbejdsstedet, og for at få dem til at bruge beskyttelsesudstyr. Alle kommer ind i arbejdsområdet skal bære personlige værnemidler. Stumper fra arbejdsstykket eller et knækket tilbehør kan springe langt væk fra arbejdsstedet og forårsage alvorlige ulykker.

- Hold udelukkende værktøjet de isolerede gribesteder ved arbejde på flader, hvor der kan ligge el-ledninger skjult. Hvis der skæres i en strømførende ledning, kan det gøre udsatte metaldele af maskinværktøjet strømførende og give operatøren elektrisk stød.

- Læg ikke værktøjet ned, før tilbehøret står helt stille. Det roterende tilbehør kan gribe fat i fladen, det lægges på, så man mister kontrollen over værktøjet.

- Lad ikke værktøjet arbejde, mens det flyttes eller bæres. Det roterende tilbehør kan hænge fast i tøjet og forårsage alvorlige skader.

- Rens værktøjets ventilationsåbninger med jævne mellemrum. Motorens ventilation bevirker, at der trænger støv ind i motorkassen, og at der derfor ophobes for mange metalpartikler, som kan forårsage elektrisk stød.

- Anvend ikke værktøjet i nærheden af brændbare stoffer. De kan blive antændt af gnister.

- Brug ikke tilbehør, som kræver kølemiddel. Hvis der anvendes vand eller flydende kølemiddel, kan man få elektrisk stød, måske livsfarligt.

### Tilbageslag ('kickback') og tilhørende advarsler

Tilbageslag er en pludselig reaktion, som opstår, når den roterende slibeskive, slibepude, børste eller andet tilbehør kommer i klemme eller vrider sig og derefter sætter sig fast. Værktøjet, som arbejder videre, bliver så kastet modsat tilbehørets driftsretning.

Hvis fx. en slibeskive kommer i klemme eller vrider sig i emnet, kan skivens kant trænge ned i emnets overflade, hvorefter skiven pludselig springer ud af emnet, så værktøjet bliver slynget mod brugeren. Hjulet kan enten hoppe mod eller væk fra operatøren, afhængigt af retning af hjulets bevægelse på det sted, klemmer. Ved tilbageslag kan slibeskiven tilmed knække.

Tilbageslag skyldes altså, at værktøjet bruges forkert, og/eller at fremgangsmåden eller driftsforholdene er usigtsmæssige. Det kan undgås, hvis der tages nogle forholdsregler.

- **Vedligehold et fast greb med begge hænder på elværktøjet, og placer din krop og arme, så du kan modstå tilbageslagskraften.** Hvis værktøjet har et hjælpehåndtag, skal det altid bruges for at kunne styre værktøjet optimalt, hvis der opstår tilbageslag eller et reaktionsmoment, når værktøjet sættes i gang. Tag de nødvendige forholdsregler for at kunne styre værktøjet, hvis der opstår tilbageslag eller et reaktionsmoment ved start.
- **Anbring aldrig hånden i nærheden af det roterende tilbehør for ikke at komme alvorligt til skade i tilfælde af tilbageslag.** Tilbehør kan tilbageslag over din hånd.
- **Stå ikke i det område, hvor værktøjet kan blive slynget hen i tilfælde af tilbageslag.** Hvis der opstår tilbageslag, bliver værktøjet kastet modsat skivens omdrejningsretning.
- **Vær særlig opmærksom ved bearbejdning af hjørner, skarpe kanter o.l. Undgå, at tilbehøret skrider eller bliver klemt fast.** Ved bearbejdning af hjørner eller skarpe kanter eller hvis værktøjet kommer til at skride, er der større risiko for, at tilbehøret sætter sig fast og altså for at miste kontrollen over værktøjet, så der opstår tilbageslag.
- **Undgå at montere en savkæde, træskæreklinge, segmenteret diamantskive med en periferiafstand større end 10 mm eller tandet savklinge.** Den slags klinger øger risikoen for tilbageslag og for at miste kontrollen over værktøjet.

#### Sikkerhedsadvarsler, der er specifikke for slibning og afskæring

- **Brug kun hjul typer, der er specificeret for dit elværktøj, og den specifikke afskærmning, der er designet til det valgte hjul.** Hjul, som elværktøjet ikke er beregnet til, kan ikke afdækkes tilstrækkeligt og er derfor usikre at bruge.
- **Slibefluden på slibeskiver med nedsænket center skal monteres under skærmkantens plan.** En forkert monteret slibeskive, som rager uden for skærmkantens plan, kan ikke beskyttes ordentligt.
- **Skærmen skal fastgøres ordentligt til elværktøjet og positioneres for maksimal sikkerhed, således at så lille en del af hjulet er blottet for operatøren.** Skærmen hjælper til at beskytte operatøren mod afknækkede skivesegmenter, utilsigtet kontakt med skiven samt evt. gløder, som kan antænde tøj.
- **Hjul må kun bruges til bestemte applikationer. Man må fx ikke slibe med siden af skærehjulet.** Abrasive skærehjul er beregnet til periferislibning; hjulene kan begynde at ryste, hvis de udsættes for sidekræfter.
- **Brug altid uskadede hjulflanger med korrekt størrelse og form i forhold til det valgte hjul.** Ordentlige hjulflanger understøtter hjulet og reducerer dermed faren for, at hjulet knækker. Flanger til skærehjul kan være forskellige fra slibehjulflanger.

- **Brug ikke udslidte hjul fra større elværktøjer.** Hjul beregnet til større elværktøjer er uegnede til de højere hastigheder på mindre værktøjer og risikerer at knække.
- **Når du bruger hjul med dobbelt funktion, skal du altid bruge den korrekte afskærmning til den applikation, der udføres.** Undladelse af brug af den korrekte beskyttelse vil muligvis ikke give det ønskede beskyttelsesniveau, hvilket kan føre til alvorlig personskade.

#### Yderligere sikkerhedsadvarsler, der er specifikke for afskæring

- **Undgå at "blokere" afskæringshjulet eller anvende overdrevent pres. Forsøg ikke at udføre overdrevent dybe snit.** Overbelastning af hjulet øger belastningen og tilbøjeligheden til vrid eller blokering af hjulet samt tilbageslag ("kickback") eller hjulbrud.
- **Anbring ikke kroppen på linje med og bag ved det roterende hjul.** Når du under arbejdet bevæger hjulet bort fra kroppen, kan et evt. tilbageslag ("kickback") bevirke, at det roterende hjul og selve elværktøjet slynges direkte ind mod dig.
- **Når hjulet binder eller ved afbrydelse af et snit af en eller anden grund skal du slukke for værktøjet og holde det ubevægeligt, indtil hjulet standser fuldstændigt. Forsøg aldrig at tage skærehjulet ud af snittet, mens hjulet roterer; der er fare for tilbageslag ("kickback").** Hvis skiven sætter sig fast, skal årsagen søges og de nødvendige forholdsregler tages for at undgå, at det sker igen.
- **Genstart ikke skæreoperationen i emnet. Vent, til hjulet har tophastighed, og sæt det da forsigtigt ind i snittet igen.** Hjulet kan binde, kravle op eller slå tilbage, hvis elværktøjet genstartes, mens hjulet sidder i emnet.
- **Understøt paneler og andre større emne for at minimere faren for, at hjulet binder eller slår tilbage.** Store emner har tendens til at synke ned under egenvægten. Understøtninger skal anbringes under emnet nær skærelinjen og nær emnekanten på begge sider af hjulet.
- **Man skal være ekstra forsigtig under fremstilling af "lommensnit" i eksisterende vægge eller andre blinde områder.** Hjulene kan binde, kravle op eller slår tilbage, eller elledninger eller genstande, som kan forårsage tilbageslag ("kickback").
- **Forsøg ikke at udføre buet skæring.** Overbelastning af hjulet øger belastning og tilbøjelighed til vridning eller fastkørsel af hjulet i snittet og muligt tilbageslag eller brud på hjul, hvilket kan føre til alvorlig personskade.

#### EKSTRA SIKKERHEDSADVARSLER

- Emnet skal fastspændes med en fastspændingsanordning. Ikke-spændte emner kan forårsage alvorlige (person)skader.
- Længere tids brug af et værktøj kan forårsage - eller forværre - personskader. Når man bruger et værktøj i længere perioder ad gangen, skal man huske at holde hyppige pauser.
- Omgivelsestemperaturområdet for værktøj under betjening er mellem 0°C og 40°C.
- Omgivelsestemperaturområdet for værktøj under opbevaring er mellem 0°C og 40°C.
- Det anbefalede omgivelsestemperaturområde for ladesystemet under opladning er mellem 10°C og 38°C.



## YDERLIGERE SIKKERHEDSADVARSLER OM BATTERI

For at undgå risiko for brand, kvæstelser eller beskadigelse af produktet forårsaget af kortslutning må værktøjet, batteripakken eller opladeren ikke nedsænkes i vand. Sørg ligeledes for, at der ikke trænger væske ind i enhederne og batterierne. Korroderende eller ledende væsker, f.eks. saltvand, bestemte kemikalier, blegestoffer eller produkter, som indeholder blegestoffer, kan forårsage kortslutning.

- Omgivelsestemperaturområdet for batteri under brug er mellem 0°C og 40°C.
- Omgivelsestemperaturområdet for batteriopbevaring er mellem 0°C og 20°C.

## TRANSPORT AF LITHIUM-BATTERIER

Batteriet skal transporteres i henhold til lokale og nationale forskrifter og love.

Når batterier skal transporteres af tredjepart, skal alle specielle krav til emballering og mærkning efterleves. Man skal sikre sig, at ingen batterier kan komme i kontakt med andre batterier eller ledende materialer under transporten ved at beskytte blottede konnektorer med isolerende, ikke-ledende hætter eller tape. Undlad at transportere batterier med revner eller utætheder. Rådfør dig desuden hos speditøren.

## KEND PRODUKTET

Se side 109.

1. Batteriåbning
2. Håndtag, isoleret gribeblade
3. Aksellåseknop
4. Sidehåndtag
5. Skærmhåndtagsslås
6. Værktøjsfri afskærmning til slibning
7. Vippekontakt
8. Udslipslås
9. Yderflange
10. Slibeskive
11. Flange
12. Spindelaksel
13. Betjeningsvejledning
14. Skæreskive
15. Værktøjsfri skæreafskærmningstilbehør
16. Batterienhed
17. Oplader

## VEDLIGEHOLDELSE

- Produktet må aldrig sluttes til en strømforsyning, mens man er i færd med at samle dele, foretage justeringer, rengøre, udføre vedligeholdelsesarbejde, eller når produktet ikke anvendes. Frakobling af produktet fra strømforsyningen vil forhindre utilsigtet start, hvilket kan medføre alvorlig personskade.
- Ved service Brug kun originale reservedele, ekstraudstyr og tilbehør fra producenten. Brug af alternative dele kan forårsage farlige situationer eller ødelægge produktet.
- Sørg for, at bremsevæske, benzin, petroleumbaserede produkter, penetreringsolie, mv., aldrig kommer i kontakt med plastdele. Disse kemiske produkter indeholder stoffer, som kan beskadige, mørne eller ødelægge plastmaterialet, så man risikerer at komme alvorligt til skade.

- Undgå brug af opløsningsmidler til rengøring af plastdele. De fleste plasttyper bliver ødelagt, hvis de renses med almindelige gængse opløsningsmidler. Fjern snavs, støv m.v. med en ren klud.
- For bedre sikkerhed og pålidelighed skal alt reparationsarbejde udføres på et autoriseret servicecenter.

## SYMBOLER



Sikkerhedsadvarsel

n

Mærkehastighed

V

Volt



Direkte strøm

min<sup>-1</sup>

Antal omdrejninger eller bevægelser pr. Minut



Læs venligst vejledningen grundigt igennem før maskinen tages i brug.



Benyt høreværn



Benyt øjenværn



Bær støvmaske.



Bær sikkerhedshandsker



Brug skridsikre sikkerhedssko.



Undgå at bruge krakelerede, revnede eller defekte slibeskiver



Må ikke bruges til skæring



Brug skærm



Metal



Ikke beregnet til vådslibning Hvis der anvendes vand eller flydende kølemiddel, kan man få elektrisk stød, måske livsfarligt.



Brug ikke til fladeslibning.



Europæisk overensstemmelsesmærkning

UK  
CA

Britisk overensstemmelsesmærkning



Ukrainsk overensstemmelsesmærkning

001  
EAC

EurAsian overensstemmelsesmærke



Elektriske affaldsprodukter bør ikke afskaffes sammen med husholdningsaffald. Genbrug venligst hvor faciliteterne tillader dette. Tjek med din lokale kommune eller forhandler for genbrugsråd.

## SYMBOLER I BRUGSANVISNINGEN



Bemærk



Dele eller tilbehør, der sælges separat



Lås



Oplås



Stop produktet.



Uden kraft



Med kraft

Säkerhet, prestanda och pålitlighet har varit högsta prioritet vid design av din vinkelslip.

## ANVÄNDNINGSSOMRÅDE

Vinkelslipen är enbart avsedd att användas av vuxna som har läst och är införstådda med instruktioner och varningar i denna bruksanvisning och kan anses vara ansvariga för sina åtgärder.

Produkten är avsedd för slipning och skärning av metall- och stenmaterial. Använd enbart passande slipskivor enligt beskrivningen i avsnittet med produktspecifikationer med vinkelslipen.

Produkten är endast avsedd för torr användning. Använd inte produkten vid våta tillämpningar.

Produkten är utformad för bärbar användning. Produkten ska inte monteras på en arbetsbänk.

Produkten är endast avsedd för konsumentanvändning.

Använd inte produkten på något annat sätt än vad som är avsett. Användning av el-verktyget för andra områden än de avsedda kan resultera i en riskfylld situation.

**⚠ VARNING! Läs uppmärksamt alla varningar, instruktioner och specifikationer som bifogas med detta verktyg och studera bilderna.** Underlåtenhet att respektera dessa föreskrifter kan leda till olyckor som brand, elektriska stötar och/eller allvarliga kroppsskador.

**Behåll dessa varningar och anvisningar för framtida referens.**

## SPECIFIKA SÄKERHETSFORESKRIFTER FÖR VINKELSLIPAR

### VANLIGA SÄKERHETSVARNINGAR VID SLIPNING- OCH KAPNINGARBETEN:

- Detta elverktyg är avsett för slipning och kapning. Läs uppmärksamt alla varningar, instruktioner och specifikationer som bifogas med detta verktyg och studera bilderna. Underlåtenhet att respektera dessa föreskrifter kan leda till olyckor som brand, elektriska stötar och/eller allvarliga kroppsskador.
- Sandpappning, stålborstning, polering och hälsågning ska inte utföras med det här elverktyget. Underlåtenhet att följa denna föreskrift kan förorsaka olyckor och allvarliga kroppsskador.
- Gör inte om elverktyget för användning för något som det inte är utformat för och som inte specifikt angivits av verktygstillverkaren. Sådan ändring kan medföra att verktyget inte kan styras och orsaka allvarlig personskada.
- Använd inte tillbehör som inte specifikt är utformade och specificerade av verktygstillverkaren. Även om ett tillbehör kan monteras på ett verktyg är detta ingen garanti för att du kan använda verktyget helt tryggt.
- Tillbehörets nominella hastighet ska vara lika med eller högre än den maximala hastighet som anges på verktyget. Tillbehör som fungerar i en hastighet som är högre än deras nominella hastighet kan brytas av och slungas ut.
- Tillbehörets ytterdiameter och tjocklek bör motsvara de karakteristika som getts för verktyget. Om tillbehören inte motsvarar givna karakteristika, kan det hända att verktygets skyddssystem och inställning inte fungerar normalt.

- Måtten på monteringsfästet för tillbehör måste stämma överens med måtten på elverktygets montering. Tillbehör som inte stämmer med monteringsfästen på elverktyget kommer att vara obalanserade, vibrera kraftigt och kan göra att du tappar kontrollen.
- Använd inte ett skadat tillbehör. Kontrollera före varje användning att tillbehöret som du använder är i gott skick: kontrollera att slipskivorna inte är kantstötta eller spruckna, att slipdynorna inte är trasiga eller slitna, att håren på metallborstarna inte är för slitna eller avbrutna. Om verktyget eller tillbehöret tappas, kontrollera att ingen del har skadats och montera vid behov ett nytt tillbehör. Efter att ha kontrollerat att tillbehöret är i gott skick och efter att ha monterat det, håll dig på avstånd från det rörliga tillbehöret och låt verktyget gå i maximal hastighet under en minut. Om tillbehöret är skadat bryts det av under denna kontroll.
- Använd personlig skyddsutrustning. Beroende på vad du använder verktyget till bör du använda en skyddsmask, säkerhetsglasögon eller skyddsglasögon. Använd även vid behov en skyddsmask mot damm, hörselskydd, handskar och skyddsförkläde för att skydda dig mot utslungade främmande föremål (slipdelar, träspån, osv.). Skyddsglasögon/visir måste kunna stoppa kringflygande flis och liknande som kan förekomma vid diverse användningar. Dammfiltermasken eller andningsmasken måste kunna filtrera bort partiklar som uppstår vid respektive användning. Långvarig exponering för kraftigt ljud kan leda till hörsel förlust.
- Håll besökare på ett lämpligt avstånd från arbetsområdet och se till att de använder en skyddsutrustning. Den som kommer in i arbetsområdet måste bära personlig skyddsutrustning. Bitar av arbetsstycket eller ett trasigt tillbehör kan slungas ut från arbetsområdet och förorsaka allvarliga kroppsskador.
- Håll i verktyget endast i de isolerade och halksäkra delarna då du arbetar på en yta som kan dölja elektriska ledningar. Vid kontakt med en strömförande kabel kan de exponerade delarna på verktyget bli strömförande och ge användaren en elektrisk stöt.
- Lägg aldrig ned verktyget innan tillbehöret stannat helt. Det roterande tillbehöret kan komma i kontakt med ytan det är ställt på och få dig att förlora kontrollen över verktyget.
- Ha inte verktyget i gång medan du transporterar det. Det roterande tillbehöret skulle kunna fastna i kläderna och skada dig allvarligt.
- Rengör regelbundet verktygets ventilationsöppningar. Motorventilationen gör att damm tränger in i motorhuset, vilket kan förorsaka en extrem anhopning av metallpartiklar och framkalla elektriska stötar.
- Använd inte verktyget i närheten av lättantändliga produkter. Gnistor kan antända dem.
- Använd inte tillbehör som kräver kylvätskor. Användning av vatten eller kylvätskor kan förorsaka elektriska stötar.

### Återkast och relaterade varningar

Återslaget är en plötslig reaktion som inträffar då slipskivan som är i rörelse, slipdynan, borsten eller ett annat tillbehör

fastnar eller vrids, vilket leder till att tillbehöret snabbt läses fast. Verktyg, som fortsätter att fungera, kastar då verktyget i motsatt riktning jämfört med tillbehörets användningsriktning.

Om till exempel en slipskiva kläms ihop eller vrids inne i arbetsstycket, kan eggen på skivan tryckas in i arbetsstyckets yta, vilket gör att skivan snabbt går ut ur arbetsstycket och slungas mot användaren. Hjulet kan antingen hoppa mot eller bort från operatören, beroende på riktning av hjulets rörelse på platsen för klämskador. I händelse av återslag kan slipskivan även brytas av.

Det kan undvikas genom att vidta några försiktighetsåtgärder.

- **Håll hela tiden elverktyg med ett fast grepp med bägge händer och placera kropp och armar så att du kan hålla emot återstuds. Om verktyg har ett hjälphanntag, håll alltid i det för att kunna kontrollera verktyg optimalt i händelse av återslag eller reaktionsmoment vid start av verktyg.** Vidta nödvändiga åtgärder för att kunna kontrollera verktyg i händelse av återslag eller reaktionsmoment.
- **Ha aldrig handen i närheten av det roterande tillbehöret för att undvika risker för allvarliga kroppsskador vid återslag.** Tillbehör kan kast över din hand.
- **Stå inte i det område dit verktyg kan slungas vid återslag.** Vid återslag slungas verktyg i motsatt riktning jämfört med skivans rotation.
- **Var speciellt på din vakt då du arbetar i hörn, på vassa kanter, osv. Låt inte tillbehöret slira eller kilas fast.** Då du arbetar i hörn eller på vassa kanter eller då verktyg slirar är risken större att tillbehöret blockeras, att du förlorar kontrollen över verktyg och att ett återslag uppstår.
- **Använd inte sågklinga, träblad, segmenterade diamantklingor med yttre mellanrum större än 10 mm och inte heller tandade sågblad.** Dylka skivor eller klingor ökar risken för återslag och för att man förlorar kontrollen över verktyg.

#### Säkerhetsvarningar specifikt för slipning och kapning

- **Använd enbart slipskivor som specificerats för elverktyg och det särskilda skydd som är utformat för vald skiva.** Skivor som inte är anpassade för maskinen kan inte skyddas ordentligt och är osäkra att använda.
- **Slipytan på centrumsänkta hjul måste monteras under planet för skyddskanten.** Felaktigt monterat hjul som skjuter genom planet för skyddskanten kommer inte att skyddas ordentligt.
- **Skyddet måste sitta fast ordentligt på verktyg och vara placerat så att det erbjuder maximalt skydd där användaren exponeras för en så liten del av skivan som möjligt.** Skyddet skyddar användaren mot skivbitar som lossnar, kontakt av misstag med skivan och gnistor som kan antända kläder.
- **Skivorna får bara användas för sina angivna tillämpningar. Exempel: använd inte sidorna på en kapskiva för att slipa.** Abrasiva kapskivor är avsedda för slipning med skivans periferi; om skivorna utsätts för sidokrafter kan de spricka.
- **Använd alltid oskadade skivflansar i rätt storlek och form så att de passar den skiva du använder.** Korrekta skivflansar stärker skivan och minskar risken att den går sönder. Flansarna för kapskivor kan vara anorntunda än flansarna för slipskivor.

- **Använd inte nedslitna skivor från större maskiner.** Skivor som är avsedda för större verktyg är inte lämpliga att använda till mindre verktyg med högre hastighet eftersom skivan kan splittras.

- **Vid användning av skivor för två ändamål, använd alltid rätt skydd för respektive tillämpning.** Om inte rätt skydd används uppnås eventuellt inte önskad skyddsnivå, vilket kan orsaka allvarlig kroppsskada.

#### Ytterligare säkerhetsvarningar specifikt för kapning

- **Blockera inte skivan och lägg inte på för stort tryck. Försök inte att göra ett djupt skår.** Överbelastning av skivan ökar påfrestningarna, och risken att skivan böjs eller fastnar i skåret ökar samtidigt som det finns risk för återkast och att skivan går sönder.
- **Placera inte din kropp i linje med, och bakom, den roterande skivan.** När skivan under användning roterar bort från din kropp kan ett återkast få den roterande skivan och hela maskinen att kastas mot dig.
- **När hjulet fastnar eller när en kapning avbryts oavsett anledning, stäng av elverktyg och håll det helt stilla tills hjulet har stannat helt. Försök aldrig dra ur kapskivan ur ett kapspår medan skivan är i rörelse eftersom det kan orsaka ett våldsamt kast (kickback).** Om skivan kilas fast, ta reda på orsaken och vidta nödvändiga åtgärder för att detta inte upprepas.
- **Starta inte maskinen igen medan skivan sitter i arbetsstycket. Låt skivan komma upp i maximal hastighet och för sedan försiktigt in skivan i kapspåret igen.** Skivan kan nypas fast, klättra uppåt eller slungas bakåt med en våldsam kraft om elverktyg startas om medan skivan sitter i arbetsstycket.
- **Använd stöd på undersidan av paneler eller extremt stora arbetsstycken för att minska risken att skivan nyper fast och att maskinen kastas mot dig.** Stora arbetsstycken tenderar att bägna av sin egen vikt. Placera stöd, till exempel bockar, på båda sidor av arbetsstycket; placera dem nära sågspåret och nära arbetsstyckets kanter.
- **Var extra försiktig när du gör "instickssågningar" i befintliga väggar eller andra dolda områden.** En utstickande skiva kan kapa av gas- eller vattenledningar, elledningar eller föremål som kan orsaka ett våldsamt kast.
- **Försök inte utföra rundad kapning.** Att överbelasta hjulet ökar belastningen och medför ökad risk för att hjulet vrids eller nypas fast under kapningen liksom ökad risk för återstuds eller att hjulet bryts, vilket kan medföra allvarlig kroppsskada.

#### YTTERLIGARE SÄKERHETSFÖRESKRIFTER

- Fest arbetsstycket med klämanordning. Icke fastklämda arbetsstycken kan orsaka allvarliga skador och skada på egendom.
- Risk för person- eller slitageskador vid användning av verktyg under lång tid. Om verktyg används under längre perioder krävs regelbundna pauser.
- Omgivningstemperatur för verktyg vid drift skall ligga mellan 0 °C och 40 °C.
- Omgivningstemperatur för verktyg vid förvaring skall ligga mellan 0 °C och 40 °C.
- Den rekommenderade omgivningstemperaturen vid laddning av systemet skall ligga mellan 10 °C och 38 °C.

**YTTERLIGARE SÄKERHETSVARNINGAR FÖR BATTERIER**

För att undvika den fara för brand, personskador eller produktskador som orsakas av en kortslutning, doppa inte ner verktyget, utbytesbatteriet eller laddaren i vätskor och se till att ingen vätska kan tränga in i apparaterna eller batterierna. Korroderande eller ledande vätskor, som saltvatten, vissa kemikalier, blekningsmedel eller produkter som innehåller blekmedel, kan orsaka en kortslutning.

- Omgivningstemperatur för batteriet vid drift skall ligga mellan 0 °C och 40 °C.
- Omgivningstemperatur för batteriet vid förvaring skall ligga mellan 0 °C och 20 °C.

**TRANSPORTERA LITIUMBATTERIER.**

Transportera batteriet enligt lokala och nationella lagar och regleringar.

Följ alla specifika krav på förpackning och etiketter när batteri transporteras av tredje part. Se till att batteriet inte kommer i kontakt med andra batterier eller ledande material genom att skydda exponerade kontakter med isolerande, icke ledande skydd eller tejp. Transportera inte batterier som är spruckna eller läcker. Kontrollera med vidarebefordrande företag för mer information.

**LÄR KÄNNA DIN PRODUKT**

Se sidan 109.

1. Batteriport
2. Handtag, isolerad greppyta
3. Låsknapp för axeln
4. Sidohandtag
5. Lås för skyddsspak
6. Verktygslöst slipskydd
7. Paddelbrytare
8. Lockout-brytare
9. Yttre fläns
10. Slipskiva
11. Fläns
12. Spindelaxel
13. Bruksanvisning
14. Kapskiva
15. Fäste för verktygslöst bladskydd
16. Batteripack
17. Laddare

**UNDERHÅLL**

- Produkten får aldrig anslutas till strömkälla under montering, justeringar, rengöring, underhåll eller när produkten inte används. Att koppla bort produkten från strömförsörjningen förhindrar oavsiktlig start som kan orsaka allvarliga olycksfall.
- Under servicearbete ska enbart tillverkarens originaldelar och -tillbehör användas. Användning av andra delar kan orsaka fara eller produktskada.
- Låt aldrig bromsvätska, bensin, petroleumbaserade produkter, penetrerande oljor och liknande komma i kontakt med plastdelar. Dessa kemiska produkter innehåller ämnen som kan skada, försvaga eller förstöra plasten, vilket kunde förorsaka allvarliga kroppsskador.
- Undvik att använda lösningsmedel vid rengöring av plastdelar. Flertalet plaster kan skadas vid användning av vissa lösningsmedel som säljs i affärerna. Använd en ren tygrasa för att torka bort smuts, damm, osv.

- För säkerhet och pålitlighet ska alla reparationer utföras av auktoriserat reparationscenter.

**SYMBOLER**

Säkerhetsvarning

n

Hastighet

V

Volt



Likström

min<sup>-1</sup>

Antal varv eller rörelser per minut



Läs instruktionerna ordentligt innan start av maskinen.



Bär hörselskydd.



Använd skyddsglasögon



Använd dammskydd.



Bär säkerhetshandskar



Använd halkfria skor.



Använd aldrig hackade, spruckna eller defekta slipskivor



Använd inte för att skära



Använd skydd



Metall



Inte för vätslipning. Användning av vatten eller kylvätskor kan förorsaka elektriska stötar.



Använd inte vid ytslipning.



CE-märkning



Brittisk CE-märkning



Ukrainsk CE-märkning

001

**EAC**

EurAsian överensstämmelsesymbol



Gamla elektroniska produkter ska inte kastas med hushållssoporna. Återvinn där sådana faciliteter finns. Kontrollera med din lokala myndighet eller säljaren för att få återvinningstips.

## SYMBOLER I MANUALEN



Notera



Delar och utrustning säljs separat



Lås



Lås upp



Stoppa produkten.



Utan kraftpåslag



Med kraftpåslag

Kulmahiomakoneen suunnittelussa on pidetty etusijalla turvallisuutta, suorituskykyä ja luotettavuutta.

## KÄYTTÖTARKOITUS

Kulmahiomakone on tarkoitettu vain sellaisten aikuisten käytettäväksi, jotka ovat lukeneet ja ymmärtäneet tämän käsikirjan ohjeet ja varoitukset ja joita voidaan pitää vastuullisina teoistaan.

Kone on suunniteltu metallin ja kiviaineeseen hiertoon ja leikkuuseen. Kulmahiomakoneeseen saa asentaa vain tämän käsikirjan teknisten tietojen mukaisia hiontalaikkoja.

Kone on tarkoitettu vain kuivakäyttöön. Älä käytä konetta märkätöihin.

Kone on suunniteltu käsin pideltäväksi. Konetta ei ole tarkoitettu työpöytään asennettavaksi.

Laitte on tarkoitettu vain kuluttajille.

Älä käytä tätä tuotetta millään muulla tavalla kuin mihin se on tarkoitettu. Sähkötyökalun käyttö muuhun kuin sille tarkoitettuun työhön voi aiheuttaa vaarallisia tilanteita.

**VAROITUS!** Lue tarkkaavaisesti kaikki tämän työkalun kanssa toimitetut varoitukset, ohjeet ja spesifikaatiot, ja katso lisäksi kuvat. Seuraavassa esitettyjen ohjeiden laiminlyönnistä saattaa olla seurauksena onnettomuuksia kuten tulipalot, sähköiskut ja/tai vakavia kehon vammoja.

**Säästä kaikki varoitukset ja ohjeet tulevaa käyttöä varten.**

## KULMAHIOMAKONEITA KOSKEVAT TURVALLISUUS-OHJEET

### YHTEISET TURVALLISUUSVAROITUKSET HIERROLLE TAI KATKAISULLE:

- Tämä sähkötyökalu on tarkoitettu toimimaan hiehtokoneena tai katkaisutyökaluna. Lue tarkkaavaisesti kaikki tämän työkalun kanssa toimitetut varoitukset, ohjeet ja spesifikaatiot, ja katso lisäksi kuvat. Seuraavassa esitettyjen ohjeiden laiminlyönnistä saattaa olla seurauksena onnettomuuksia kuten tulipalot, sähköiskut ja/tai vakavia kehon vammoja.
- Tätä sähkötyökalua ei ole tarkoitettu käytettäväksi hiontaan, teräsharjaukseen, kiillotukseen tai reikien kaiverrukseen. Tämän ohjeen laiminlyönnistä saattaa olla seurauksena onnettomuuksia ja vakavia kehon vammoja.
- Älä muuta tätä sähkötyökalua toimimaan tavalla, jota työkalun valmistaja ei ole nimenomaisesti suunnitellut ja määrittänyt. Muuntaminen voi johtaa vakavan henkilövahingon aiheuttavaan hallinnan menettämiseen.
- Älä käytä lisävarusteita, joita työkalun valmistaja ei ole erityisesti suunnitellut ja määrittänyt. Vaikka lisävarusteen voi mahdollisesti asentaa työkaluun, tämä ei takaa, että työkalua voi käyttää täysin turvallisesti.
- Lisävarusteen nimellisuopeuden on oltava sama tai korkeampi kuin lisävarusteelle mainittu maksiminopeus. Yli nimellisuopeudella käytetyt lisävarusteet saattavat rikkoutua ja joutuvat hylätyiksi.
- Lisävarusteen ulkohalkaisijan ja paksuuden on vastattava työkalun ilmoitettuja ominaisuuksia. Ellei lisävarusteiden ominaisuudet vastaa annettuja ominaisuuksia, työkalun suoja- ja säätöjärjestelmä elleivät voi toimia oikein.

- **Asennettavan lisävarusteen mittojen on vastattava sähkötyökalun kiinnityslaitteiden mittoja.** Lisälaitteet, jotka eivät vastaa sähkötyökalun kiinnityksiä, joutuvat epätasapainoon, tärisevät liikaa ja voivat riistää laitteen hallinnasta.
- **Älä käytä vioituneita lisävarusteita.** Tarkista ennen jokaista käyttöä, että käyttämäsi lisävaruste on hyväkuntoinen: varmista, että hiontalaikan reunat ovat ehjät eikä siinä ole halkeamia ja etteivät kengät eivät ole repeytyneet tai kuluneet, ettei metalliharjojen harjakset ole liian kuluneet tai katkeilleet. Jos sähkötyökalu tai lisävaruste putoaa, tarkista, ettei se ole vioittunut, tai vaihda lisävarusteen tilalle voittumaton laite. Kun olet todennut lisävarusteen hyvän kunnon ja kun olet asentanut sen, pysy loitolla liikkuvasta lisävarusteesta sallien työkalun saavuttaa maksiminopeuden minuutin aikana. Jos lisävaruste on viallinen, se särkyä tämän kokeen aikana.
- **Käytä henkilökohtaisia suojavarusteita.** Sen mukaan, mihin käytät työkalua, pidä suojaanamaaria, turva- tai suojalaseja. Pidä tarvittaessa pölynsuojaanamaaria, kuulosuojaimia, suojakäsineitä ja suojaesiliinaa kaikkia ulkoisten kappaleiden sinkoamista vastaan (hankaavat kappaleet, puun lastut jne.). Silmäsuojuksen on kyettävä suojaamaan silmiä eri työtehtävissä syntyvältä lentävältä roskalta. Pölymaskin tai hengityssuojaimen on kyettävä suodattamaan tietyissä työtehtävissä syntyvät hiukkaset. Pitkäaikaisesta altistuksesta kovalle melulle saattaa aiheutua kuulon huononeminen.
- **Pidä vieraat hyvin loitolla työalueesta ja huolehdi, että heillä on suojalisävarusteet.** Jokaisella, joka tulee työalueelle on käytettävä henkilökohtaisia suojavarusteita. Työstettävistä kappaleista tai rikkoutuneesta välineestä saattaa singota palasia työalueen ulkopuolellekin aiheuttaen vakavia vammoja.
- **Pidä työkalusta kiinni vain eristetyistä luistamattomista osista työskennellessäsi pinnalla, joku saattaa käteä sähköjohtoa.** Jos leikkuri koskettaa sähköistettyä johtoa, työkalun metalliosat voivat sähköistyä ja aiheuttaa käyttäjälle sähköiskun.
- **Älä laske työkalua koskaan kädestäsi ennen kuin lisävaruste on kokonaan pysähtynyt.** Pyörivä lisävaruste saattaa koskettaa pintaa, jolle se lasketaan ja menetät laitteen hallinnan.
- **Älä käynnistä työkalua sitä kuljetettaessa.** Pyörivä lisävaruste saattaa takertua vaatteisiisi ja aiheuttaa vakavan vamman.
- **Puhdista säännöllisesti työkalun puhallinaukot.** Moottorin puhallin imee pölyä moottorin kuren sisään, mistä saattaa johtua metallihiukkasten liiallinen kertyminen aiheuttaen sähköiskuja.
- **Älä käytä laitetta syytävien aineiden läheisyydessä.** Kipinät saattavat syyttää ne.
- **Älä käytä lisävarusteita, jotka tarvitsevat jäähdytysnesteitä.** Vesi tai jäähdytysnesteet voivat aiheuttaa sähkösurman tai sähköiskun.

### Takapotku ja siihen liittyvät varoitukset

Pomppaus on äkillinen reaktio, kun liikkeessä oleva hiomalaikka, kenkä, harja tai jokin muu lisävaruste tarttuu kiinni tai vääntyy, mikä aiheuttaa lisälaitteen äkillisen jumiumutuksen. Edelleen käynnissä oleva työkalu linkoo tällöin lisälaitteen liikkeensä vastakkaiseen suuntaan.

Esimerkiksi, jos hiomalaikka jumiuuu tai puristuu kiinni työkappaleeseen, se laikan reunan kohta, joka koskettaa jumittumis kohtaa, voi kaivautua materiaalin pintaan, jolloin laikka kiipeää ulos tai ponnahtaa käyttäjää kohden. Pyörän voi joko hypätä kohti tai pois päin käyttäjästä riippuen suunnasta pyörän liikkeen paikassa puristimilla. Hiomalaikka saattaa myös haljeta pomppauksen seurauksena.

Sen voi välttää erällä varotoimenpiteillä:

- **Pidä tukeva ote sähkötyökalun kahvasta molemmin käsin ja varaudu ottamaan kehollasi ja käsivarsillasi vastaan takapotkun voima. Jos työkalussa on lisäkahva, pidä aina siitä kiinni parhaan hallinnan saamiseksi pomppauksen sattuessa tai työkalun käynnistyksessä syntyvälle reaktiivääntömomentille.** Suorita tarvittavat toimenpiteet voidaksesi hallita työkalun pomppauksen tai käynnistysreaktion sattuessa.
- **Älä vie koskaan kättä pyörivän lisävarusteen lähelle vakavien kehonvammojen välttämiseksi pomppauksen sattuessa.** Lisälaite voidaan takapotkun aikana kätesi.
- **Älä asetu paikkaan, mihin työkalu mahdollisesti sinkoaa pomppauksen sattuessa.** Työkalu sinkoaa pomppauksessa laikan pyörimissuunnan vastaiseen suuntaan.
- **Ole erikoisen valpas työstäessäsi särmiä, teräviä reunoja jne. Vältä lisävarusteen luisumista tai jumittumista.** Kun työskentelet särmillä tai terävillä reunoilla tai jos työkalu pääsee luiskahtamaan, on sen jumittumisvaara suurempi. Tällöin saatat menettää työkalun hallinnan ja aiheuttaa pomppauksen.
- **Älä liitä laitteeseen sahaketjua, puunmuokkausteraa, hammastettua timanttilaikkaa jossa hammasrako on suurempi kuin 10 mm tai hammastettua sahanterää.** Sellaisilla terillä on suurempi pomppausvaara ja työkalun hallinnan menetys.

**Erityisesti hierontaa ja leikkuuta koskevat turvallisuusvaroitukset**

- **Käytä vain laikkoja, jotka on tarkoitettu sähkötyökalullesi, ja valitulle laikalle suunniteltua suojainta.** Muita kuin sähkötyökalulle tarkoitettuja laikkoja ei voi suojata asianmukaisesti, ja ne ovat vaarallisia.
- **Keskeltä koverien laikkojen hiomapinta on asennettava suojuksen tason alapuolelle.** Virheellisesti asennettua laikkaa, joka ulottuu suojuksen tason ulkopuolelle, ei voida suojata riittävästi.
- **Suojan on oltava tukevasti kiinnitetty sähkötyökaluun ja sijoitettu siten, että se tekee laitteesta mahdollisimman turvallisen ja että käyttäjän puolella on mahdollisimman vähän paljasta laikkaa.** Suoja suojelee käyttäjää irronneita laikan osasilta ja estää häntä koskettamatta vahingossa laikkaa tai kipinöitä, jotka voisivat sytyttää vaatteet.
- **Laikkoja saa käyttää vain tiettyihin töihin. Älä esimerkiksi hio katkaisulaikan sivulla.** Katkaisulaikat on tarkoitettu käytettäväksi siten, että hionta suoritetaan niiden ulkokehällä; niihin kohdistuvat sivuttaisrasitukset voisivat murtaa ne.
- **Käytä aina kunnossa olevia laikan laippoja, jotka vastaavat valitun laikan kokoa ja muotoa.** Asianmukaiset laipat tukevat laikkaa ja pienentävät siten mahdollisuutta, että laikka rikkoutuu. Katkaisulaikkojen laipat voivat poiketa hiomalaikkojen laipoista.

- **Älä käytä suurempien sähkötyökalujen kuluneita laikkoja.** Suuremmille sähkötyökaluille tarkoitetut laikat eivät sovi pienemmän laitteen suuremmalle nopeudelle, sillä ne voivat lohjeta.
- **Kun käytät kaksoiskäyttöisiä laikkoja, käytä aina kulloisenkin työn mukaista suojusta.** Oikeanlaisen suojan käyttämättä jättäminen voi johtaa vakavaan loukkaantumiseen.

**Leikkuuta koskevat lisäturvallisuusvaroitukset**

- **Älä "jumita" katkaisulaikkaa tai käytä liiallista painetta. Älä yritä leikata liian syväälle.** Laikan ylikuormitus kasvattaa kuormaa ja mahdollisuutta, että laikka tahtuu tai jumittuu leikkuu-uraan ja potkaisee takaisin tai rikkoutuu.
- **Älä asetu pyörivän laikan taakse, samaan linjaan sen kanssa.** Kun laikka liikkuu kehosta pois päin, takapotku saattaa singota laikan ja sähkötyökalun suoraan käyttäjää kohden.
- **Kun laikka pyrkii jumiuutamaan tai kun leikkuu pitää jostain syystä keskeyttää, sammuta sähkötyökalu ja pidä se liikkumattomana, kunnes laikka on kokonaan pysähtynyt. Älä koskaan yritä nostaa katkaisulaikkaa leikkuu-urasta laikan pyöriessä; muutoin laite voi potkaista takaisin. Älä yritä koskaan irrottaa laikkaa sen pyöriessä, se saattaa aiheuttaa pomppauksen.**
- **Älä aloita leikkausta laikan koskettaessa työkaluun. Anna laikan saavuttaa täysi nopeus ja aseta laikka takaisin leikkuu-uraan varovasti.** Laikka saattaa jumittua, kulkea ylöspäin tai potkaista takaisin, jos sähkötyökalu käynnistetään laikan ollessa kosketuksissa työkaluun.
- **Tue paneelit ja muut suuret työkalupaleet siten, että minimoit juuttumisen ja takapotkun vaaran.** Suuret työkalupaleet ovat taipuvaisia painumaan oman painonsa ansiosta. Tuet tulee asettaa työkalupaleen alle, lähelle leikkuulinjaa, ja lähelle työkalupaleen reunoja, laikan molemmille puolille.
- **Ole erittäin varovainen tehdessäsi olemassa oleviin seinämiin tai muihin sokeisiin kohtiin niiden keskeltä alkavaa leikkausta.** Ulos työntyvä laikka voi leikata kaasu- tai vesiputkia, sähköjohtoja tai kappaleita, jotka voivat aiheuttaa takapotkun.
- **Älä yritä kaarevaa leikkuuta.** Jos laikkaan kohdistuu liikaa rasitusta, sen jumiotuminen tai kiertyminen leikatessa on todennäköistä, seurauksena voi olla takapotku tai laikan rikkoutuminen ja siitä johtuva vakava loukkaantuminen.

#### **MUITA TURVALLISUUSVAROITUKSIA**

- **Kiinnitä työkalupale paikalleen puristimella.** Kiinnittämätön työkalupale voi aiheuttaa vakavan vamman ja vaurioita.
- **Laitteen pitkittynyt käyttö voi aiheuttaa tai vaikeuttaa vammoja.** Kun käytät mitä tahansa laitetta pitkiä aikoja, muista pitää säännöllisiä taukoja.
- **Ympäristön lämpötila-alue työkalulle käytön aikana on 0 °C ja 40 °C välillä.**
- **Ympäristön lämpötila-alue työkalulle varastoinnin aikana on 0 °C ja 40 °C välillä.**
- **Suosittelu ympäristön lämpötila-alue latausjärjestelmän latauksen aikana on 10 °C ja 38 °C välillä.**



**LISÄÄ AKUN TURVALLISUUSVAROITUKSIA**

Jotta vältetään lyhytsulun aiheuttama tulipalon, loukkaantumisen tai tuotteen vahingoittumisen vaara, älä koskaan upota työkalua, vaihtoakkaa tai latauslaitetta nesteeseen ja huolehdi siitä, ettei mitään nesteitä pääse tunkeutumaan laitteiden tai akkujen sisään. Syövyttävät tai sähköä johtavat nesteet, kuten suolavesi, tietyt kemikaalit ja lalkaisuaineet tai valkaisuaineita sisältävät tuotteet voivat aiheuttaa lyhytsulun.

- Ympäristön lämpötila-alue akulle käytön aikana on 0 °C ja 40 °C välillä.
- Ympäristön lämpötila-alue akun varastoinnin aikana on 0 °C ja 20 °C välillä.

**LITIUMAKKUJEN KULJETTAMINEN**

Kuljeta akkua paikallisten ja kansallisten ehtojen ja säädösten mukaisesti.

Noudata kaikkia pakkaamista ja nimeämistä koskevia erikoissäädöksiä, kun kolmas osapuoli kuljettaa akkuja. Varmista, että mikään akku ei kosketa muita akkuja tai johtavaa materiaalia kuljetuksen aikana suojaamalla paljaat navat eristävillä, johtamattomilla korkeilla tai teipillä. Älä kuljeta akkuja, jotka ovat halkeilleet tai vuotavat. Kysy välityritykseltä lisäneuvoja.

**TUNNE TUOTTEESI**

Katso sivu 109.

1. Akkutila
2. Kahva, eristetty tartuntapinta
3. Akselin lukintanappi
4. Sivukahva
5. Suojavipulukitus
6. Ilman työkaluja asennettava/irrotettava hiontasuoja
7. Melakytkin
8. Lukituskytkin
9. Ulkolaippa
10. Tasoitushiomalaikka
11. Laippa
12. Kara-akseli
13. Käyttäjän käsikirja
14. Katkaisulaikka
15. Ilman työkaluja asennettava/irrotettava leikkuusuojalisävaruste
16. Akku
17. Laturi

**HUOLTO**

- Tuotetta ei tule koskaan kytkeä pistorasiaan osia koottaessa, säätöjä tehtäessä, puhdistettaessa, huollon aikana tai kun tuotetta ei aiota käyttää. Laitteen irrottaminen virtalähteestä estää vahingossa tapahtuvan käynnistymisen, mikä voi aiheuttaa vakavan loukkaantumisen.
- Käytä huollossa ainoastaan alkuperäisiä valmistajan tuottamia varaosia, lisälaitteita ja lisävarusteita. Muunlaisten osien käyttö voi aiheuttaa vaaran tai voittaa laitetta.
- Älä koskaan päästä jarrunesteitä, bensiiniä, öljytuotteita, läpäiseviä öljyjä tms. kosketuksiin muoviosien kanssa. Nämä kemialliset tuotteet sisältävät aineita, jotka voivat vaurioittaa, heikentää tai tuhota muovin minkä seurauksena voi aiheutua vakavia ruumiinvammoja.

- Älä puhdista muoviosia liuottimilla. Suurin osa muuveista ei siedä markkinoilla olevia määrättyjä liuotteita, jotka vahingoittavat niitä. Käytä puhdasta riepua lian, pölyn jne. puhdistukseen.
- Jotta laite toimisi turvallisesti ja luotettavasti, kaikki korjaukset tulee antaa valtuutetun huoltopisteen hoidettavaksi.

**SYMBOLIT**

Turvallisuusvaroitus

n

Nimellisopeus

V

Voltti



Tasavirta

min<sup>-1</sup>

Kierrosten tai liikkeiden määrä minuutissa



Lue ohjeet huolellisesti ennen laitteen käynnistämistä.



Käytä kuulosuojaimia



Käytä suojalaseja



Käytä pölynaamaria.



Käytä suojakäsineitä



Käytä luistamattomia turvakengkiä.



Älä käytä lohkeilleita, haljenneita tai viallisia hiomalaikkoja



Älä käytä leikkaamiseen



Käytä suojaa



Metalli



Ei märkähiontaan. Vesi tai jäähdytysnesteet voivat aiheuttaa sähkösurman tai sähköiskun.



Älä käytä otsapinnan hierontoon.



Eurooppalainen vaatimustenmukaisuusmerkintä

UK  
CA

Brittiläinen vaatimustenmukaisuusmerkintä



Ukrainalainen  
vaatimustenmukaisuusmerkintä

EAC

EurAsian-vaatimustenmukaisuusmerkki



Käytöstä poistettavia sähkölaitteita ei pidä hävittää talousjätteiden mukana. Ne on mahdollisuuksien mukaan pantava kiertoon. Kierrätysohjeita antavat kunnan viranomaiset ja vähittäiskauppiat.

## KÄSIKIRJAN SYMBOLIT



Huom



Osat ja lisävarusteet on hankittava erikseen



Lukko



Avaa



Pysäytä tuote.



Ei voimallisesti



Voimallisesti

Sikkerhet, ytelse og driftssikkerhet er gitt topp prioritet i konstruksjonen av din vinkelsliper.

## TILTENKT BRUK

Vinkelsliperen skal kun brukes av voksne som har lest og forstått anvisningene og advarslene i denne brukermanualen og som kan anses å være ansvarlige for sine handlinger.

Produktet er designet for å slippe og kutte metaller og steinmaterialer. Kun passende slipeskiver, slik det er beskrevet i denne manualen under avsnittet med produktspesifikasjoner, bør settes på vinkelsliperen.

Produktet er kun beregnet til tørr bruk. Ikke bruk produktet til våte bruksområder.

Produktet er designet for håndholdt bruk. Produktet skal ikke monteres på en arbeidsbenk.

Produktet er kun beregnet til bruk av konsumenter.

Ikke bruk produktet på noe annen måte enn det som er beskrevet som tiltenkt bruk. Bruk av elektrisk verktøy på en måte det ikke var tiltenkt kan skape farlige situasjoner.

**⚠ ADVARSEL! Les nøye gjennom alle advarslene, instruksene og spesifikasjonene som følger med verktøyet, og se på tegningene.** Hvis forskriftene nedenfor ikke overholdes, kan det forårsake ulykker som brann, elektrisk støt og/eller alvorlige personskader.

**Ta vare på alle advarsler og anvisninger for senere bruk.**

## SPESIELLE SIKKERHETSFRSKRIFTER FOR VINKELSLIPERE

**SIKKERHETSADVARSLER SOM ER VANLIGE FOR SLIPING ELLER KUTTEOPERASJONER:**

- Dette elektriske verktøyet er beregnet til å fungere som en slipemaskin eller et kappeverktøy. Les nøye gjennom alle advarslene, instruksene og spesifikasjonene som følger med verktøyet, og se på tegningene. Hvis forskriftene nedenfor ikke overholdes, kan det forårsake ulykker som brann, elektrisk støt og/eller alvorlige personskader.
- Operasjoner som sandsliping, stålborsting, polering eller hulling skal ikke utføres med dette elektriske verktøyet. Hvis denne forskriften ikke overholdes, kan det forårsake ulykker og alvorlige personskader.
- Ikke konverter dette elektriske verktøyet på en måte som ikke er spesifikt designet og spesifisert av verktøyprodusenten. En slik konvertering kan føre til et tap av kontroll og forårsake alvorlig personskade.
- Ikke bruk tilbehør som ikke er spesifikt designet og spesifisert av verktøyprodusenten. Selv om et tilbehør kan monteres på et verktøy, garanterer det ikke at du kan bruke det verktøyet på en sikker måte.
- Tilbehørets nominelle hastighet skal være lik eller høyere enn maksimalhastigheten som står på verktøyet. Tilbehørene som brukes i høyere hastighet enn sin nominelle hastighet kan brytes og slynges ut.

- Tilbehørets ytre diameter og tykkelse skal svare til egenskapene som spesifiseres for verktøyet. Hvis tilbehørene ikke svarer til de angitte egenskapene, kan ikke verktøyet beskyttelses- og innstillingssystemer virke ordentlig.
- Dimensjonene til tilbehørsmonteringen må passe til dimensjonene til monteringsutstyret til det elektriske verktøyet. Tilbehør som ikke passer i maskinens fester, vil skli ut av balanse, vibrere overdrevent og kan føre til at du mister kontrollen.
- Bruk ikke et skadet tilbehør. Før hver bruk, skal det sjekkes at tilbehøret du bruker er i god stand: Påse at slipeskivene ikke er sprukket eller ødelagt, at sliperondellene ikke er revnet eller slitt, at busten på metallbørstene ikke er altfor slitt eller brukket. Hvis verktøyet eller tilbehøret faller, skal du kontrollere at ingenting er skadet og, om nødvendig, installere nytt tilbehør. Etter at du har kontrollert at tilbehøret er i god stand og installert det, skal du holde deg på avstand fra det bevegelige tilbehøret og la verktøyet komme opp i maksimal hastighet i ett minutt. Hvis tilbehøret er skadet, vil det brytes under denne testen.
- Bruk Personlig verneutstyr. Alt etter hva du bruker verktøyet til, skal du bruke beskyttelsesmaske, sikkerhetsbriller eller vernebriller. Bruk om nødvendig støvmaske, hørselsvern, hansker og beskyttelsesforkle for å beskytte deg mot utslynging av fremmedlegemer (slipeavfall, trespon, osv.). Øyevernet må være i stand til å stoppe flyvende avfall som er generert av ulike applikasjoner. Støvmasken eller respiratoren må være i stand til å filtrere partikler som er generert av det bestemte bruksområdet. Langvarig eksponering for sterkt støy kan svekke hørselen.
- Hold besøkende i god avstand fra arbeidsområdet og påse at de har verneutstyr på seg. Alle som kommer inn i arbeidsområdet må bruke personlig verneutstyr. Små elementer fra arbeidsstykket eller et brukket tilbehør kan slynges ut utenfor arbeidsområdet og forårsake alvorlige kroppsskader.
- Hold verktøyet kun i de isolerte og sklisikre delene når du arbeider på en flate som kan skjule elektriske ledninger. Skjæreredskap som får kontakt med strømførende elektriske ledninger kan føre til at metalldelene på verktøyet blir strømførende og at brukeren kan få støt.
- Legg aldri fra deg verktøyet før tilbehøret har sluttet helt å rotere. Det roterende tilbehøret kan komme i kontakt med underlaget det står på og få deg til å miste kontroll over verktøyet.
- Ikke la verktøyet gå når du frakter det. Det roterende tilbehøret kan henge seg fast i klærne dine og skade deg alvorlig.
- Rengjør regelmessig verktøyet ventilasjonsspalter. Motorens ventilasjon får støv til å komme inn i motorhuset, noe som kan medføre altfor stor oppsamling av metallpartikler og forårsake elektrisk støt.
- Bruk ikke verktøyet i nærheten av brannfarlige produkter. Gnister kan sette fyr i dem.
- Bruk ikke tilbehør som krever kjølevæsker. Bruken av vann eller kjølevæsker kan forårsake elektrisk støt,

EN

FR

DE

ES

IT

NL

PT

DA

SV

FI

NO

RU

PL

CS

HU

RO

LV

LT

ET

HR

SL

SK

BG

UK

TR

EL

som kan være livsfarlig.

### Tilbakeslag og relaterte advarsler

Tilbakeslag er en plutselig reaksjon som oppstår når den bevegende slipeskiven, sliperondellen, børsten eller et annet tilbehør klemmes fast eller vrís, noe som raskt får tilbehøret til å låses fast. Verktøyet blir da slyngt ut i motsatt retning til tilbehørets bruksretning.

Hvis for eksempel en slipeskive klemmes eller vrís i arbeidsstykket, vil skivens skarpe del trenge inn i arbeidsstykkets overflate, noe som vil få skiven til å klatre ut eller slå tilbake. Hjulet kan enten hoppe mot eller bort fra operatøren, avhengig av retning hjulet beveges på punktet av knipe. I tilfelle tilbakeslag, kan slipeskiven også brytes.

Det kan unngås ved å ta visse forholdsregler:

- **Ha en fast grep med begge hender på det elektriske verktøyet og posisjoner kroppen og armene for å kunne motstå rekylkrefter.** Hvis verktøyet har et støttehåndtak, skal du alltid holde i det så du får optimal kontroll over verktøyet i tilfelle tilbakeslag eller reaksjonskraft når verktøyet startes. Ta nødvendige foranstaltninger så du kan kontrollere verktøyet ditt i tilfelle tilbakeslag eller reaksjonskraft.
- **Legg aldri hånden din i nærheten av det roterende tilbehøret for å unngå all fare for kroppsskader i tilfelle tilbakeslag.** Tilbehøret kan kast over hånden din.
- **Ikke still deg i området der verktøyet kan risikere å slynges ut i i tilfelle tilbakeslag.** I tilfelle tilbakeslag slynges verktøyet ut i motsatt retning til skivens rotasjonsretning.
- **Vær spesielt forsiktig når du arbeider på hjørner, skarpe kanter, osv. Unngå at tilbehøret glir eller kiles fast.** Når du arbeider på hjørner eller skarpe kanter eller når verktøyet glir, er det større fare for at tilbehøret låses fast, og dermed at du mister kontroll over verktøyet og at det oppstår tilbakeslag.
- **Ikke sett på sagkjede, treskjæringsblad, segmentert diamantskive med sideåpning større enn 10 mm eller tannet sagblad.** De kan øke faren for tilbakeslag og tap av kontroll over verktøyet.

### Sikkerhetsadvarsler som er spesifikke for slipe- og kappeoperasjoner

- **Bruk kun skivetyper som er spesifisert for ditt elektriske verktøy og det spesifikke vernet som er designet for den valgte skiven.** Hjul som verktøyet ikke er konstruert for kan ikke beskyttes i tilstrekkelig grad og vil derfor kunne være utrygge.
- **Slipeoverflaten på skiver med nedsunket midtparti, må festes under nivået til beskyttelsesleppen.** En feil festet skive som buler ut utover beskyttelsesleppen, kan ikke beskyttes tilstrekkelig.
- **Skjermen må være godt festet til verktøyet og posisjonert for maksimum sikkerhet slik at minst mulig av hjulet eksponeres mot brukeren.** Skjermen bidrar til å beskytte operatøren mot fragmenter av hjulet som rives av, utilsikket kontakt med hjulet og gnister som kan antenne klær.
- **Skiver må kun brukes til spesifiserte bruksområder. For eksempel må du ikke slipe med kanten på**

**et kappeshjul.** Slipende kappeskiver er ment for periferisliping, når disse hjulene utsettes for sidekrefter kan det oppstå splintring.

- **Bruk alltid ubeskadigede hjullenser som har korrekt størrelse og form for det valgte hjulet.** Korrekt hjullens støtter hjulet og reduserer dermed muligheten for at hjulet skal bryte. Flenser for kappeshjul kan skille seg fra flenser for slipehjul.
- **Ikke bruk nedslitte hjul fra større elektrisk verktøy.** Hjul som er ment for større verktøy egner seg ikke for de små verktøyenes høyere hastighet og kan gå i oppløsning.
- **Ved bruk av skiver til dobbelt formål bruk alltid riktig vern for den utførte bruken.** Hvis det ikke brukes riktig vern, kan det hende at det ikke gis ønsket vernnivå, noe som kan føre til alvorlig personskade.

### Ekstra sikkerhetsadvarsler som er spesifikke for avkappingsoverasjoner

- **Ikke blokker kappeshjulet eller legg overdrevent trykk på verktøyet. Ikke gjør forsøk på å utføre et ekstremt dypt kutt.** Kraftig trykk mot hjulet øker belastningen og mulighet for at hjulet bendes eller blokkeres i kappesporet med tilhørende fare for tilbakeslag eller at kappeshjulet bryter.
- **Ikke plasser kroppen din på linje med og bak det roterende hjulet.** Når hjulet og arbeidspunktet beveger seg vekk fra kroppen din vil et mulig tilbakeslag kunne drive det roterende hjulet og verktøyet direkte mot deg.
- **Når skiven bindes eller ved avbrudd av en kapping av en eller annen grunn, slå av det elektriske verktøyet og hold den i ro inntil skiven stopper helt. Gjør aldri forsøk på å ta kappeshjulet ut av sporet mens det fortsatt er i bevegelse, i så fall kan du oppleve tilbakeslag.** Hvis skiven står fast, må du forsøke å finne årsaken og ta nødvendige foranstaltninger for at det ikke gjentar seg.
- **Ikke start kappingen på nytt mens kappeshjulet fortsatt står i arbeidsstykket. La hjulet nå maksimal hastighet før du forsiktig setter det tilbake i sporet som er kappet.** Hjulet kan blokkeres, krype ut eller slå tilbake dersom verktøyet startes mens kappeshjulet står i arbeidsstykket.
- **Støtt opp plater og store arbeidsstykker for å redusere faren for at kappeshjulet kommer i beknip, med tilhørende fare for tilbakeslag.** Store plater har en tendens til å sive under sin egen vekt. Støttene må legges under begge sider av platen, nær sporet som skal skjæres og nær kanten av platen.
- **Vær ekstra forsiktig når du foretar et "lommekutt" inn i en eksisterende vegg eller annet blindt område.** Det utstående hjulet kan kappe gass- og vannrør, elektriske ledninger og objekter som kan føre til tilbakeslag.
- **Ikke gjør forsøk på kurvet kapping.** Overbelastning når skiven øker lasten og mottakeligheten for vridning og fastkjøring av skiven i kuttet og muligheten til rekyl eller skivebrudd.

### SPEIELLE SIKKERHETSADVARSLER

- **Fest arbeidsstykket med en tvinge.** Ikke festede emner kan påføre alvorlig personskade og materielle skader.
- **Skader kan oppstå eller forsterkes ved forlenget bruk**

av et verktøy. Når du bruker et verktøy over en lenger tidsperiode, husk å ta regelmessige pauser.

- En passende temperatur for verktøyet når det brukes er mellom 0°C og 40°C.
- En passende temperatur for lagring av verktøyet er mellom 0°C og 40°C.
- En passende temperatur når systemet opplades er mellom 10°C og 38°C.

#### EKSTRA ADVARSLER FOR BATTERISIKKERHET

For å unngå fare for en brann forårsaket av en kortslutning, av personskader eller skader av produktet, må det forhindres at batteripakken eller laderen dyppes i væsker og også sørges for at ingen væsker kan komme inn i apparatene eller batteriene. Korroderende og ledende væsker som saltvann, visse kjemikalier og blekemidler eller produkt som inneholder blekemidler kan forårsake en kortslutning.

- En passende batteritemperatur når verktøyet brukes er mellom 0°C og 40°C.
- En passende lagringstemperatur for batteriet er mellom 0°C og 20°C.

#### TRANSPORTERE LITIUM-BATTERIER

Transporter batteriet i samsvar med lokale og nasjonale forskrifter og bestemmelser.

Følg alle spesielle krav når det gjelder pakking og merking når tredje part skal transportere batteriene. Pass på at batteriene ikke kan komme i kontakt med andre batterier eller ledende materialer når de transporteres ved at du beskytter åpne koblinger med isolerende, ikkeledende hettet eller tape. Ikke transportert batterier som har sprekker eller lekket. Sjekk med transportfirmaet for ytterligere råd.

#### KJENN DITT PRODUKT

Se side 109.

1. Batteridør
2. Håndtak, isolert gripeoverflate
3. Spindelåseknapp
4. Sidehåndtak
5. Beskyttelseslås
6. Verktøyfritt slipevern
7. Skovlbryter
8. Utlåsningsbryter
9. Utvendig sidestykke
10. Slipeskive
11. Sidestykke
12. Spindelaksel
13. Brukerhåndbok
14. Kappeskive
15. Verktøyfritt kutteverneutstyr
16. Batteripakke
17. Lader

#### VEDLIKEHOLD

- Produktet skal aldri kobles til en strømforsyning mens

du monterer på deler, gjør justeringer, rengjør, utfører vedlikehold eller når produktet ikke er i bruk. Koble verktøyet fra strømmen slik at du unngår at det utilsikket starter, noe som kan føre til alvorlige skader.

- For service av maskinen, bruk kun produsentens originale reservedeler, tilleggsutstyr og påsatser. Bruk av andre deler kan skape fare eller føre til skade på produktet.
- Du må aldri la bremsevæske, drivstoff, petroleumbaserte produkter, rustoppløsende olje osv. komme i kontakt med plastdeler. Slike kjemiske produkter inneholder stoffer som kan skade, svekke eller ødelegge platen, noe som kan medføre alvorlige kroppsskader.
- Unngå bruk av løsemidler når du rengjør plastdelene. De fleste plastmaterialene kan skades ved bruk av løsningsmidlene som fås i handelen. Bruk en ren klut til å tørke bort smuss, støv osv.
- For edre sikkerhet og pålitelighet skal alle reparasjoner utføres av et autorisert verksted.

#### SYMBOLER



Sikkerhetsadvarsel

n

Nominell hastighet



Likestrøm

min<sup>-1</sup>

Antall omreininger eller bevegelser pr. Minutt



Vennligst les instruksjonene nøyte før du starter maskinen.



Bruk hørselsvern



Bruk øyebeskyttelse



Bruk støvmaske.



Bruk sikkerhetshansker



Bruk sklisikre vernesko.



Ikke bruk sprukne eller på annen måte skadede slipehjul



Ikke bruk for kapping



Bruk en skjerm



Metall



Ikke tiltenkt våtsliping. Bruken av vann eller kjølevæsker kan forårsake elektrisk støt, som kan være livsfarlig.



Skal ikke brukes til frontsliping.



Europeisk samsvarsmerking



Britisk samsvarsmerking



Ukrainsk samsvarsmerking



EurAsian Konformitetstegn



Avfall fra elektriske produkter skal ikke kastes sammen med husholdningsavfall. Vennligst resirkulervedeksisterende avfallsbehandlingssted. Undersøk hos dine lokale myndigheter eller forhandler for råd om resirkulering.



## SYMBOLER I MANUALEN



Nb



Deler eller tilbehør solgt separat



Lås



Låse opp



Stans produktet.



Uten kraft



Med kraft

При разработке этой угловой шлифмашины особое внимание уделялось безопасности, производительности и надежности.

## НАЗНАЧЕНИЕ

Угловой шлифмашиной могут пользоваться только компетентные взрослые, которые прочли инструкции по технике безопасности, осознали опасности, связанные с эксплуатацией изделия, и могут считаться ответственными за свои действия.

Изделие предназначено для измельчения и резки металлических и каменных материалов. На угловой шлифмашине следует устанавливать только такие шлифовальные круги, которые описаны в разделе технических характеристик изделия настоящего руководства пользователя.

Изделие предназначено для сухого использования. Мокрое использование изделия не допускается.

Изделие предназначено для использования в портативном режиме. Изделие не подлежит креплению на верстаке.

Изделие предназначено только для личного использования.

Используйте устройство строго по назначению, указанному в настоящем руководстве. Использование данного электроинструмента не по назначению может создать опасную ситуацию.

**⚠ ОСТОРОЖНО!** Прочтите все указания, инструкции, иллюстрации и спецификации, поставляемый с этим электроинструментом. Несоблюдение всех инструкций, указанных ниже, может привести к поражению электрическим током, пожару и / или серьезным травмам.

Сохраните все предупреждения и инструкции для дальнейшего использования.

## УГОЛ МЕРЫ БЕЗОПАСНОСТИ ТОЧИЛЬЩИК

**УНИВЕРСАЛЬНЫЕ ТРЕБОВАНИЯ БЕЗОПАСНОСТИ ДЛЯ ИЗМЕЛЬЧЕНИЯ, ШЛИФОВАНИЯ, ЗАЧИСТКИ ПРОВОЛОЧНОЙ ЩЕТКОЙ, ПОЛИРОВКИ И РЕЗКИ:**

- Данный электроинструмент может использоваться для измельчения и резки. Прочтите все указания, инструкции, иллюстрации и спецификации, поставляемый с этим электроинструментом. Несоблюдение всех инструкций, указанных ниже, может привести к поражению электрическим током, пожару и / или серьезным травмам.
- Выполнение таких операций, как шлифование, очистка щеткой, полировка и пробивка отверстий, с помощью данного электроинструмента не допускается. Операции, для которых власть Програма не рассчитана может создавать опасность и привести к травме.
- Запрещается переоборудовать данный инструмент под выполнение операций, не предусмотренных и не указанных производителем. Подобные конструкционные изменения могут привести к потере контроля и серьезной травме.

- Допускается использование только принадлежностей, предусмотренных и указанных производителем инструмента. Просто потому, что аксессуар может быть подключен к вашей власти инструментом, он не обеспечивает безопасную эксплуатацию.
- Номинальная скорость аксессуара должен быть по меньшей мере равную максимальной скорости отмечается электроинструмента. Аксессуары работают быстрее, чем их номинальная скорость может привести к поломке и развалится.
- Наружный диаметр и толщина ваших аксессуаров должна быть в пределах возможностей рейтинг вашего электроинструмента. Неправильно размера принадлежности не может быть адекватно охраняется или контролировать.
- Размеры креплений для принадлежностей должны соответствовать размерам элементов крепления электроинструмента. Приспособления, размеры которых не в точности соответствуют деталям электроинструмента, будут несбалансированы, что вызывает сильную вибрацию и может привести к потере управления.
- Не используйте поврежденный аксессуар. Перед каждым использованием проверяйте рабочее состояние аксессуара, которым собирается работать: проверьте, чтобы абразивные диски не были треснутыми или разбитыми, чтобы полшвы не были порваны или изношены, чтобы волосы металлических щеток не были сильно изношены или сломаны. Если инструмент или аксессуар упал, проверьте его на предмет поврежденный или установите неповрежденные аксессуара. После осмотра и установки устройства, позиционировать себя и окружающих от плоскости вращающегося принадлежности и запуска инструмента при максимальной скорости без нагрузки в течение одной минуты. Поврежденные аксессуара, как правило, развалится в течение этого времени испытания.
- Использовать средства индивидуальной защиты. В зависимости от приложения, используйте маску, защитные очки или защитные очки. В случае необходимости надевайте маску от пыли, защитными наушниками, перчатки и фартук семинар, способных остановить малых абразивные или заготовки фрагментов. Защита глаз должна быть достаточной для остановки разлетающихся в ходе выполнения различных операций осколков. Пылезащитная маска или респиратор должны быть достаточно эффективными для задержки образующихся в ходе той или иной операции частиц. Длительное воздействие высокой интенсивности шума может привести к потере слуха.
- Держите прохожих на безопасном расстоянии от рабочей области. Лица, которые прибывают области работы должны носить средства индивидуальной защиты. Фрагменты заготовки или сломанный инструмент может улететь и стать причиной травм вне непосредственной близости от места работы.
- Держите электрические инструменты за изолированные поверхности только при выполнении операций, когда режущий инструмент может контактировать со скрытой

проводкой. В результате контакта полотна с проводом, находящимся под напряжением, металлические части инструмента также могут оказаться под напряжением, что приведет к поражению работающего электрическим током.

- **Никогда не лежал электрический инструмент, пока аксессуар пришло к полной остановке.** Прядильный инструмент может захватить поверхность и вытянуть из розетки вне вашего контроля.
- **Не запускайте электроинструмента при проведении его на вашей стороне.** Случайный контакт с прядильных аксессуар может загвоздка одежду, потянув за принадлежность в ваше тело.
- **Регулярно очищайте воздушные силы инструмента отверстия.** Вентилятор двигателя будет опираться пыли внутри корпуса и чрезмерное накопление сухого металла может привести к опасности поражения электрическим током.
- **Не работайте с электроинструментом вблизи легковоспламеняющихся материалов.** Искры могут воспламенить эти материалы.
- **Не используйте аксессуары, которые требуют жидких хладагентов.** Использование воды или других жидких хладагентов может привести к поражению электрическим током или удара.

#### **Меры предосторожности, связанные с отскоком инструмента**

Отдача является внезапная реакция пережат или зацепил вращающееся колесо, бэк-панели, кистью или любой другой принадлежности. Щемящие или непредусмотренные причины быстрого срыва вращающегося принадлежности, которые в свою очередь вызывает неконтролируемый инструмент власти будут вынуждены в сторону, противоположную от аксессуар в поворот в точке силы.

Например, заклинивание отрезного круга в заготовке и зажим кромки круга в зоне защемления, может привести к резкому отскоку инструмента. Колесо может либо переходить к наблюдателю или от оператора, в зависимости от направления движения колеса в точке защемления. Абразивные круги могут сломать и в этих условиях.

Отдача является результатом злоупотребления властью инструмента и / или неправильный оперативных процедур или условий, и ее можно избежать путем принятия надлежащих мер предосторожности, которые приводятся ниже.

- **Крепко удерживайте электроинструмент обеими руками, располагая туловище и руки таким образом, чтобы противостоять отдаче. Всегда используйте дополнительную ручку, если это предусмотрено для максимального контроля над отдачи или крутящего момента реакции во время запуска.** Оператор может контролировать крутящий момент реакции или отдачи сил, если соответствующие меры предосторожности приняты.
- **Никогда не кладите руки вблизи вращающегося устройства.** Аксессуары могут откат за руку.
- **Не размещайте тела в районе, где власти инструмент будет двигаться, если откат происходит.** Отдача будет двигать этот инструмент в направлении, противоположном движению колеса в точке зацепления.

- **Использование специальных осторожны при работе с углах, острых краев т.д. Избегайте подпрыгивая и непредусмотренные аксессуар.** Уголки, острых кромок или подпрыгивая имеют тенденцию к топяк вращающиеся принадлежности и привести к потере контроля и отдачи
- **Не прикрепляйте пыльную цепь, лезвие для резьбы по дереву, сегментированный алмазный диск с периферийным зазором более 10 мм или мелкозубое пыльное полотно.** Такие лопасти создают частые отдачи и потери контроля.

#### **Требования безопасности, относящиеся к измельчению и резке**

- **Допускается использование только кругов, предусмотренных для вашего электроинструмента, а также защитного кожуха, подходящего для выбранного круга.** Режущие диски, не предназначенные для использования с данным инструментом, нельзя должным образом защитить, и они могут представлять опасность.
- **Шлифовая поверхность круга должна быть ниже края защитного кожуха.** Эксплуатировать устройство с кругом, выходящим за край защитного кожуха, небезопасно.
- **Экран должен быть надежно прикреплен к инструменту и расположен так, чтобы обеспечить наибольшую безопасность - чтобы оператору была открыта наименьшая часть круга.** Защитный экран предназначен для защиты оператора от вылетающих фрагментов диска и случайного контакта с рабочей поверхностью и от искр, от которых может загореться одежда.
- **Круги следует использовать только для указанной операции. Например, не допускается шлифование боковыми поверхностями отрезного круга.** Абразивные отрезные круги предназначены для работы периферией круга, боковые силы, возникающие при такой работе, могут привести к обламыванию краев.
- **Не допускается использование кругов с поврежденной рубашкой, всегда используйте круги, подходящие по размеру и форме.** Соответствующие рубашки дисков поддерживают диски, препятствуя их разрушению. Рубашки отрезных кругов могут отличаться от рубашек шлифовальных кругов.
- **Не допускается использование изношенных кругов от более мощных и крупных устройств.** Круги, предназначенные для использования с более мощным инструментом, не подходят для более высоких скоростей малых инструментов и могут при работе разрушиться.
- **При использовании двухцелевых кругов всегда применяйте защиту, подходящую для выполняемой операции.** Неверный выбор защитного кожуха может привести к снижению уровня защиты и серьезной травме.

#### **Дополнительные требования безопасности, относящиеся к резке**

- **Не зажимайте отрезной диск и не прилаживайте чрезмерных усилий. Не делайте разрезы чрезмерной глубины.** Перенапряжение режущего диска увеличивает нагрузку и подвывает его скручиванию или защемлению диска в разрезе, что может привести к отскоку или повреждению диска.



- **Не стойте по линии резания или позади вращающегося диска.** Когда режущий диск при работе перемещается от вашего тела, возможный отскок может отбросить вращающийся диск может и инструмент прямо на вас.
- **При застревании или иной остановке круга отключите электроинструмент и удерживайте его в неподвижном состоянии до полной остановки круга. Никогда не пытайтесь вынимать отрезной круг из разреза на ходу, так как может произойти отскок.** Расследовать и принять меры по исправлению положения, чтобы устранить причину колеса обязательным.
- **Не возобновляйте резание, если круг находится в заготовке. Дождитесь, пока диск не наберет полную скорость, и осторожно вводите круг в обрабатываемую деталь.** Если электроинструмент повторно запускается, когда отрезной круг находится в заготовке, то круг может заклинить, податься на оператора или отскочить.
- **Поддерживайте панели и любые крупногабаритные заготовки, чтобы уменьшить опасность заклинивания круга и отскока.** Большие заготовки могут прогибаться под собственным весом. Опоры следует размещать под панелью, рядом с линией пропила и ближе к краю панели с обеих сторон круга.
- **Соблюдайте предельную осторожность при выполнении врезок в существующие стены или другие глухие зоны.** Рельефный круг можно использовать для отрезания газовых и водопроводных труб, электрических проводов или предметов, могущих вызвать отскок.
- **Не пытайтесь выполнять криволинейную резку.** Избыточный нажим на круг увеличивает нагрузку и вероятность искривления или застревания круга в разрезе, а также отброса или поломки колеса, что может привести к серьезной травме.

#### ДОПОЛНИТЕЛЬНЫЕ ПРЕДУПРЕЖДЕНИЯ ПО ТЕХНИКЕ БЕЗОПАСНОСТИ

- Зажимайте обрабатываемое изделие зажимным устройством. Незажатые обрабатываемые изделия могут стать причиной тяжелых травм и повреждений.
- Продолжительное использование инструмента без перерыва может привести к травмам. При использовании инструмента в течение длительного времени делайте регулярные перерывы.
- Температура окружающей среды для эксплуатации инструмента должна быть в диапазоне от 0°C до 40°C.
- Температура окружающей среды для хранения инструмента должна быть в диапазоне от 0°C до 40°C.
- Рекомендуемая температура окружающей среды для зарядного устройства в процессе зарядки должна быть в диапазоне между 10°C и 38°C.

#### ТРЕБОВАНИЯ БЕЗОПАСНОСТИ ПРИ ИСПОЛЬЗОВАНИИ ДОПОЛНИТЕЛЬНОЙ АККУМУЛЯТОРНОЙ БАТАРЕИ

Для предотвращения опасности пожара в результате короткого замыкания, травм и повреждения изделия не опускайте инструмент, сменный аккумулятор или зарядное устройство в жидкости и не допускайте

попадания жидкостей внутрь устройств или аккумуляторов. Коррозионные и проводящие жидкости, такие как соленый раствор, определенные химикаты, отбеливающие средства или содержащие их продукты, могут привести к короткому замыканию.

- Температура окружающей среды для эксплуатации аккумулятора должна быть в диапазоне от 0°C до 40°C.
- Температура окружающей среды для хранения аккумулятора должна быть в диапазоне от 0°C до 20°C.

#### ТРАНСПОРТИРОВКА ЛИТИЕВЫХ БАТАРЕЙ

Транспортируйте аккумуляторную батарею в соответствии с местными и государственными правилами и положениями.

При транспортировке батарей третьей стороной соблюдайте все специальные требования по упаковке и маркировке. Проверьте, чтобы аккумуляторные батареи не вступали в контакт с другими батареями или проводимыми материалами при транспортировке, для этого защитите оголенные разъемы изоляцией, изолирующими колпачками или лентами. Не переносите батареи с повреждениями или утечками. За дальнейшими консультациями обратитесь в транспортно-экспедиционную компанию.

#### ИЗУЧИТЕ ИЗДЕЛИЕ

Стр 109.

1. Гнездо подключения батареи
2. Ручка, изолированная поверхность захвата
3. Блокировка шпинделя кнопки
4. Боковая рукоятка
5. Защитная рычажная защелка
6. Защитный кожух для измельчительных работ с ручной регулировкой
7. Лопаточный переключатель
8. Переключатель блокировки
9. Зажим гайки
10. Шлифовальный круг
11. Внешняя щетка
12. Вал шпинделя
13. Руководство оператора
14. Режущий круг
15. Защитный кожух с ручной регулировкой
16. Аккумулятор
17. Зарядное устройство

#### ТЕХНИЧЕСКОЕ ОБСЛУЖИВАНИЕ

- Прибор ни в коем случае не должен подсоединяться к источнику питания, когда вы разбираете его компоненты, выполняете регулировку, очистку, проводите техническое обслуживание, или когда прибор не используется. Отключение инструмента от источника питания предотвращает его случайный пуск, который может привести к получению тяжелой травмы.
- При выполнении технического обслуживания используйте только оригинальные запчасти, аксессуары и насадки от производителя. Использование других запчастей может представлять опасность или повредить изделия.
- Никогда не допускайте контакта тормозной жидкости, бензина, продуктов на нефтяной основе,

пропиточного масла и т. д. с пластмассовыми частями. Эти химикаты содержат вещества, которые могут испортить, ослабить или разрушить пластмассу. Это ведет к тяжелым травмам.

- Избегайте использования растворителей во время чистки пластмассовых частей. Многие пластмассы чувствительны к воздействию различных бытовых растворителей и в результате их использования могут разрушиться. Для снятия грязи, пыли и пр. пользуйтесь чистой тряпкой.
- Для большей безопасности и надежности все ремонтные работы должны проводиться авторизованным сервисным центром.

## УСЛОВНЫЕ ОБОЗНАЧЕНИЯ

	Сигнал опасности
<b>n</b>	Номинальная скорость
<b>v</b>	Вольт
	Постоянный ток
<b>min<sup>-1</sup></b>	Оборотов или возвратно-поступательных движений в минуту
	Перед использованием прибора внимательно ознакомьтесь с данной инструкцией.
	Применяйте средства защиты органов слуха
	Применяйте средства защиты органов зрения
	Надевайте пылезащитную маску.
	Надевайте защитные перчатки
	Используйте нескользящую защитную обувь.
	Не используйте бракованные шлифовальные диски или диски со сколами или трещинами
	Не используйте для резания
	Используйте защитное приспособление
	Металл
	Не предназначено для шлифования с охлаждением. Использование воды или других жидких хладагентов может привести к поражению электрическим током или удара.



Запрещается использовать для торцевого шлифования.



Знак соответствия европейским стандартам



Знак соответствия стандартам Великобритании



Знак соответствия Украины



Знак Евразийского Соответствия



Обработанная электротехническая продукция должна уничтожаться вместе с бытовыми отходами. Утилизируйте, если имеется специальное техническое оборудование. По вопросам утилизации проконсультируйтесь с местным органом власти или предприятием розничной торговли.

## ОБОЗНАЧЕНИЯ В РУКОВОДСТВЕ

	Примечание
	Детали или принадлежности, приобретаемые отдельно
	Зафиксировать
	Расцепить
	Остановите устройство.
	Без усилия
	С усилием

**Транспортировка:**

Категорически не допускается падение и любые механические воздействия на упаковку при транспортировке.

При разгрузке/погрузке не допускается использование любого вида техники, работающей по принципу зажима упаковки.

**Хранение:**

Необходимо хранить в сухом месте.

Необходимо хранить вдали от источников повышенных температур и воздействия солнечных лучей.

При хранении необходимо избегать резкого перепада температур.

Хранение без упаковки не допускается.

**Срок службы изделия:**

Срок службы изделия составляет 5 лет.

Не рекомендуется к эксплуатации по истечении 5 лет хранения с даты изготовления без предварительной проверки.

**Дата изготовления** (код даты) отштампован на поверхности корпуса изделия.

Пример:

W17 Y2015, где Y2015 - год изготовления

W17 – неделя изготовления

Определить месяц изготовления можно согласно приведенной ниже таблице, на примере 2015 года.

**Обратите внимание!** Количество недель в месяце различается от года в год.

Месяц	Январь	Февраль	Март	Апрель	Май	Июнь	Июль	Август	Сентябрь	Октябрь	Ноябрь	Декабрь	Год
Неделя	01	05	09	14	18	22	27	31	36	40	44	49	2015
	02	06	10	15	19	23	28	32	37	41	45	50	
	03	07	11	16	20	24	29	33	38	42	46	51	
	04	08	12	17	21	25	30	34	39	43	47	52	
	05	09	13	18	22	26	31	35	40	44	48	53	
			14			27							

- EN
- FR
- DE
- ES
- IT
- NL
- PT
- DA
- SV
- FI
- NO
- RU**
- PL
- CS
- HU
- RO
- LV
- LT
- ET
- HR
- SL
- SK
- BG
- UK
- TR
- EL

W przypadku tej szlifierki kątovej zwrócono szczególną uwagę na zapewnienie bezpieczeństwa, wysokiej wydajności oraz niezawodności.

## PRZEZNACZENIE

Ta szlifierka kątova może być używana wyłącznie przez dorosłe osoby, które przeczytały i zrozumiały instrukcje oraz ostrzeżenia podane w tym podręczniku oraz, które mogą odpowiadać za swoje działania.

Produkt przeznaczony jest do szlifowania i cięcia metali i kamienia. Szlifierka kątova może być wyposażona wyłącznie w odpowiednie tarcze do szlifowania, które są opisane w sekcji specyfikacji produktu w tym podręczniku.

Produkt przeznaczony jest do stosowania wyłącznie na sucho. Nie używać produktu na mokro.

Ten produkt przeznaczony jest do trzymania w dłoni. Produktu nie należy montować na stole warsztatowym.

Produkt przeznaczony jest do stosowania wyłącznie przez konsumentów.

Nie należy używać tego produktu niezgodnie z przeznaczeniem. Używanie narzędzi w sposób niezgodny z ich przeznaczeniem jest niebezpieczne.

**⚠ OSTRZEŻENIE!** Prosimy o uważne zapoznanie się z ostrzeżeniami, instrukcjami i specyfikacjami dostarczonymi z tym narzędziem oraz z zawartymi w nich ilustracjami. Nie przestrzeganie przedstawionych niżej zaleceń mogłoby pociągnąć za sobą wypadki takie jak pożary, porażenia prądem elektrycznym i /lub poważne obrażenia ciała.

Zachowaj wszystkie ostrzeżenia i instrukcje do wykorzystania w przyszłości.

## WYMAGANIA BHP SPECYFICZNE DLA SZLIFIEREK KĄTOWYCH

**OSTRZEŻENIA DOTYCZĄCE BEZPIECZEŃSTWA WSPÓLNE DLA OPERACJI SZLIFOWANIA, WYGŁADZANIA, CZYSZCZENIA SZCZOTKĄ DRUCIANĄ, POLEROWANIA I ODCINANIA:**

- To narzędzie z napędem przeznaczone jest do pracy jako szlifierka lub narzędzie do odcinania. Prosimy o uważne zapoznanie się z ostrzeżeniami, instrukcjami i specyfikacjami dostarczonymi z tym narzędziem oraz z zawartymi w nich ilustracjami. Nie przestrzeganie przedstawionych niżej zaleceń mogłoby pociągnąć za sobą wypadki takie jak pożary, porażenia prądem elektrycznym i /lub poważne obrażenia ciała.
- Za pomocą tego narzędzia z napędem nie należy wykonywać czynności takich jak wygładzanie, czyszczenie szczotką drucianą lub wykonywanie otworów. Nie zastosowanie się do tego wymogu może spowodować wypadki lub też ciężkie obrażenia ciała.
- Nie należy przekształcać tego narzędzia z napędem w sposób, który nie został specjalnie zaprojektowany i określony przez producenta narzędzia. Tego rodzaju konwersja może spowodować utratę kontroli i poważne obrażenia.
- Nie należy używać akcesoriów, które nie zostały specjalnie zaprojektowane i określone przez producenta narzędzia. Nawet jeżeli da się zamontować jakąś przystawkę na narzędziu, nie oznacza to, że można bezpiecznie używać narzędzia z tą przystawką.

- **Prędkość znamionowa przystawki powinna być równa lub większa od prędkości maksymalnej oznaczonej na narzędziu.** Przystawki (akcesoria) funkcjonujące przy prędkości większej od ich prędkości znamionowej, mogą się połamać i zostać odrzucone.
- **Średnica zewnętrzna i grubość akcesoria powinny odpowiadać charakterystyce podanej dla narzędzia.** Jeżeli akcesoria nie są zgodne z podaną charakterystyką, systemy zabezpieczenia i ustawiania narzędzia nie będą należycie funkcjonowały.
- **Wymiary montażu akcesoriów muszą odpowiadać wymiarom osprzętu montażowego narzędzia z napędem.** Akcesoria niepasujące dobrze do wrzeciona elektronarzędzia będą źle wyważone, wpadną w nadmierne wibracje i mogą spowodować utratę kontroli nad narzędziem.
- **Nie należy używać uszkodzonych akcesoriów. Przed każdym użyciem należy sprawdzić czy narzędzie jest w dobrym stanie: upewnijcie się, że tarcze ściernie nie są wyszczerbione lub pęknięte, że płyty szlifierskie nie są rozerwane lub zużyte, że druty szczotek metalowych nie są zbyt zużyte czy połamane. W przypadku upuszczenia elektronarzędzia lub przystawki, sprawdź, czy nie są one uszkodzone, w razie potrzeby wymień przystawkę. Po sprawdzeniu, że przystawka jest w dobrym stanie i po jej zainstalowaniu, należy pozostać na dystans od ruchomych przystawek i poczekać przez minutę, aż narzędzie osiągnie maksymalną prędkość. Jeżeli przystawka jest uszkodzona, połamie się ona podczas tego testu.**
- **Stosować środki ochrony osobistej. W zależności od tego do czego używacie wasze narzędzie, załóżcie maskę zabezpieczającą, lub okulary zabezpieczające. W razie potrzeby, załóżcie maskę przeciwpyłową, ochronniki słuchu, rękawice i fartuch ochronny, które zabezpieczają przed odrzutem ciała obcych (opiłki, wióry, itd.).** Ochrona oczu musi być w stanie zatrzymać drobinę wyrzucaną w trakcie pracy narzędzia. Maskę przeciwpyłową lub oddechową muszą być zdolne do filtrowania cząstek powstających w wyniku konkretnego zastosowania. Wystawienie na wysoki poziom hałasu, może spowodować utratę słuchu.
- **Wszystkie osoby wizytujące powinny nosić wyposażenie ochronne i zostawać w odpowiedniej odległości od strefy roboczej. Każdy, kto wchodzi do strefy roboczej musi nosić sprzęt ochrony osobistej. Elementy połamanego przedmiotu do obróbki czy akcesoria, mogą być odrzucone poza zakres strefy roboczej i spowodować poważne obrażenia cielesne.**
- **Kiedy pracujecie na powierzchni mogącej skrywać przewody elektryczne, trzymajcie narzędzie wyłącznie za izolowane i nieśliskie części. Kontakt z przewodem pod napięciem może spowodować przepływ prądu przez metalowe elementy urządzenia i porażenie operatora.**
- **Nie odkładajcie narzędzia zanim przystawka nie będzie zupełnie zatrzymana. Obracająca się przystawka mogłaby się zetknąć z powierzchnią, na którą ją położono i doprowadzić do utraty kontroli nad narzędziem.**
- **Nie należy używać narzędzia podczas transportu. Obracająca się przystawka mogłaby zostać pochwycona przez ubrania i doprowadzić do poważnego zranienia.**

- Należy regularnie czyścić szczeliny wentylacyjne narzędzia. Wentylacja silnika wprowadza kurz do wewnątrz obudowy silnika, co może być przyczyną nadmiernego nagromadzenia cząsteczek stalowych i spowodować porażenie prądem elektrycznym.
- Nigdy nie używajcie waszego narzędzia w pobliżu produktów łatwopalnych. Iskry mogłyby spowodować podpalenie narzędzia.
- Nie używajcie akcesoriów wymagających płynów chłodzących. Używanie wody czy płynów chłodzących może spowodować porażenie prądem elektrycznym, nawet śmiertelne.

#### Zjawisko odbicia i związane z nim ostrzeżenia

Odbicie (odrzut) jest nagłą reakcją, występującą podczas ruchu ściernicy kiedy dochodzi do pochwylenia czy wygięcia płyty szlifierskiej, szczotki czy innego akcesoria, powodującego szybkie zablokowanie akcesoria. Narzędzie dalej działa, powodując odrzut w kierunku odwrotnym do kierunku użytkowania akcesoria.

Np. przytarta lub zakleszczona tarcza ścierna, której krawędź zagłębiona w szczelinie na skutek ruchu obrotowego próbuje wydostać się z zakleszczenia może odskoczyć od obrabianego przedmiotu, powodując gwałtowny odrzut elektronarzędzia. Ściernica może odskoczyć w kierunku lub z dala od operatora, w zależności od kierunku ruchu koła w punkcie zakleszczenia. W przypadku odbicia, tarcza ścierna może również się polamać.

Można go uniknąć podejmując środki ostrożności.

- **Mocno trzymać narzędzie z napędem obiema rękami i ustawić ciało i ramiona tak, by móc oprzeć się siłom odrzutu. Posługujcie się uchwytem pomocniczym, jeżeli jest na wyposażeniu waszego narzędzia; zapewni to optymalną kontrolę w przypadku odbicia czy sprzężenia zwrotnego podczas uruchamiania narzędzia.** Należy podjąć odpowiednie środki, by móc panować nad narzędziem w przypadku odbicia czy sprzężenia zwrotnego.
- **Nie należy umieszczać ręki w pobliżu obracającego się akcesoria, celem uniknięcia poważnych obrażeń ciała w przypadku odrzutu.** Akcesoria mogą odrzucić rękę.
- **Nie należy znajdować się w strefie, do której mogłyby zostać odrzucone narzędzie w przypadku odbicia.** W przypadku odbicia, narzędzie odrzucane jest w kierunku odwrotnym do kierunku obrotów narzędzia.
- **Należy zwracać szczególną uwagę przy obrabianiu kątów, ostrych krawędzi, itd. Unikać wpadnięcia w poślizg lub pochwylenia akcesoria.** Przy obrabianiu kątów, ostrych krawędzi, czy wpadnięciu w poślizg narzędzia, zachodzi większe ryzyko zablokowania akcesoria, co może doprowadzić do utraty panowania nad narzędziem i odrzutu.
- **Nie wolno montować łańcucha do cięcia, frezów, segmentowej tarczy diamentowej o przerwie powyżej 10 mm ani zębatej tarczy do piłowania.** Mogłoby to spowodować ryzyko odrzutu i utratę kontroli nad narzędziem.

#### Ostrzeżenia dotyczące bezpieczeństwa dotyczące operacji szlifowania i odcinania

- **Używać tylko tych typów tarcz, które zostały określone dla danego narzędzia z napędem, a także określonej osłony zaprojektowanej dla wybranej tarczy.** Tarcze, które nie zostały przeznaczone do współpracy z tym elektronarzędziem nie mogą być odpowiednio osłonięte i są niebezpieczne.

- **Powierzchnia szlifowania tarczy z dociskiem na środku musi być zamontowana poniżej płaszczyzny wypustu ochronnego.** Nieprawidłowo zamontowana tarcza wystająca poza płaszczyznę wypustu ochronnego nie jest wystarczająco zabezpieczona.
- **Oslona musi być w bezpieczny sposób przymocowana do elektronarzędzia i ustawiona tak, aby zapewnić maksymalne bezpieczeństwo; tarcza powinna być jak w najmniejszym stopniu odsłonięta w stronę operatora.** Oslona tarczy chroni operatora przed ewentualnymi odłamkami tarczy i przypadkowym kontaktem z obracającą się tarczą oraz iskrami, które mogą podpalić ubranie.
- **Poszczególne tarcze mogą być używane tylko do określonych zastosowań. Przykładowo, nie należy szlifować boczną powierzchnią tarczy tnącej.** Tarcze przeznaczone do szlifowania obwodowego; siły boczne oddziałujące na tarcze mogą spowodować ich zniszczenie.
- **Należy stosować kołnierze tarcz w dobrym stanie technicznym, o właściwym rozmiarze i kształcie dopasowanym do wybranej tarczy.** Odpowiedni kołnierz tarczy podpira ją, zmniejszając ryzyko pęknięcia tarczy. Kołnierze do tarcz tnących mogą być inne niż kołnierze do tarcz ściernych.
- **Nie używać zużytych tarcz z większych elektronarzędzi.** Tarcze przeznaczone do większych elektronarzędzi nie nadają się do współpracy z mniejszym elektronarzędziem pracującym z wyższą prędkością i mogą ulec pęknięciu.
- **Podczas używania tarcz do dwóch zastosowań należy zawsze stosować osłonę odpowiednią do bieżącego zastosowania.** Niezastosowanie odpowiedniej osłony może nie zapewnić pożądanego poziomu ochrony, co może prowadzić do poważnych obrażeń.

#### Dodatkowe ostrzeżenia dotyczące bezpieczeństwa specyficzne dla operacji odcinania

- **Nie blokować tarczy tnącej i nie dociskać za mocno. Nie próbować ciąć materiału zbyt głęboko.** Nadmierne dociskanie tarczy zwiększa obciążenie i ryzyko skrzyęcia lub zakleszczenia tarczy w ciętym materiale, co może spowodować szarpnięcie lub pęknięcie tarczy.
- **Ciało nie może znajdować się w jednej linii z obracającą się tarczą ani za tarczą.** Gdy tarcza podczas pracy porusza się w kierunku przeciwnym do ciała operatora, to w chwili odskoczenia siła odrzutu może spowodować przesunięcie narzędzia w stronę operatora.
- **Gdy tarcza zakleszczy się lub gdy cięcie zostanie przerwane z jakiegokolwiek powodu, należy wyłączyć narzędzie z napędem i przytrzymać je nieruchomo do momentu całkowitego wyhamowania tarczy.** Nie wolno usiłować zdejmować tarczy tnącej, gdy tarcza się obraca, ponieważ może dojść do odrzutu lub odskoczenia urządzenia. Kiedy tarcza się zaklinuje, szukajcie przyczyny i podejmijcie środki zapobiegawcze, by to się już nie powtórzyło.
- **Nie wznawiać cięcia, gdy urządzenie styka się z ciętym materiałem.** Należy poczekać aż tarcza nabierze pełnej prędkości i ostrożnie przyłożyć tarczę do szczeliny cięcia. Tarcza może zaklinować się, wykonać gwałtowny ruch lub odskoczyć, jeśli elektronarzędzie zostanie uruchomione w chwili kontaktu z obiektem.

- **Podeprzeć panele lub inne cięższe obrabiane obiekty, aby ograniczyć ryzyko zakleszczenia tarczy i odrzutu.** Duże obiekty mogą zalać się/ugiąć pod własnym ciężarem. Podpory muszą być umieszczone pod obrabianym materiałem blisko linii cięcia i blisko krawędzi materiału, po obu stronach tarczy.
- **Należy zachować szczególną ostrożność w przypadku wykonywania cięcia kieszeniowego w istniejących ścianach lub innych strukturach nieprzelotowych.** Wystająca tarcza może przeciąć przewody instalacji gazowej lub wodnej, przewody elektryczne lub obiekty, które mogą spowodować odrzut.
- **Nie podejmować prób cięcia krzywoliniowego.** Nadmierne napięcie tarczy zwiększa obciążenie i podatność na skręcanie lub zakleszczenie się tarczy w nacięciu, a także możliwość odbicia lub złamania tarczy, co może prowadzić do poważnych obrażeń.

#### DODATKOWE OSTRZEŻENIA BEZPIECZEŃSTWA

- Obrabiany element należy zamocować za pomocą zacisku. Niezabezpieczone elementy mogą spowodować poważne obrażenia ciała i uszkodzenia.
- Długotrwałe użytkowanie narzędzia może spowodować obrażenia ciała lub nasilić dolegliwości zdrowotne. W przypadku używania narzędzia przed dłuższy czas należy pamiętać o regularnych przerwach.
- Zakres temperatury otoczenia dla narzędzia podczas eksploatacji to od 0°C do 40°C.
- Zakres temperatury otoczenia dla narzędzia podczas przechowywania to od 0°C do 40°C.
- Zalecany zakres temperatury otoczenia dla układu ładującego podczas ładowania to od 10°C do 38°C.

#### AKUMULATOR — DODATKOWE OSTRZEŻENIA DOTYCZĄCE BEZPIECZEŃSTWA

Aby uniknąć niebezpieczeństwa pożaru, obrażeń lub uszkodzeń produktu na skutek zwarcia, nie wolno zanurzać narzędzia, akumulatora wymiennego ani ładowarki w cieczach i należy zatroszczyć się o to, aby do urządzeń i akumulatorów nie dostały się żadne ciecz. Zwarcie spowodować mogą korodujące lub przewodzące ciecz, takie jak woda morska, określone chemikalia i wybielacze lub produkty zawierające wybielacze.

- Zakres temperatury otoczenia dla akumulatora podczas eksploatacji to od 0°C do 40°C.
- Zakres temperatury otoczenia dla akumulatora podczas przechowywania to od 0°C do 20°C.

#### TRANSPORTOWANIE AKUMULATORÓW LITOWYCH

Akumulatory należy transportować zgodnie z lokalnymi i krajowymi przepisami i regulacjami.

Należy postępować zgodnie z wszystkimi specjalnymi wymaganiami dotyczącymi pakowania i etykietowania akumulatorów podczas transportu przez stronę trzecią. Upewnij się, że żadne akumulatory nie zetkną się z innymi akumulatorami lub materiałami przewodzącymi podczas transportu. W tym celu należy zabezpieczyć odkryte złącza nieprzewodzącymi nakładkami izolacyjnymi lub taśmą izolacyjną. Nie należy transportować pękniętych ani nieszczelnych akumulatorów. Szczegółowe porady można uzyskać w firmie spedycyjnej.

#### INFORMACJE O PRODUKCIE

Patrz strona 109.

1. Gniazdo akumulatora
2. Uchwyt, izolowana powierzchnia chwytana
3. Przycisk blokady wrzeciona
4. Uchwyt boczny
5. Blokada dźwigni ostony
6. Osłona szlifierska montowana bez użycia narzędzi
7. Przelącznik łopatkowy
8. Przelącznik blokady
9. Zewnętrzny kołnierż oporowy
10. Tarcza zdzierająca (ściernica)
11. Kołnierż oporowy
12. Wał wrzecionowy
13. Instrukcja obsługi
14. Tarcza tnąca
15. Montowana bez użycia narzędzi osłona na czas operacji cięcia
16. Bateria
17. Ładowarka

#### KONSERWACJA

- Produkt nigdy nie może być podłączony do źródła zasilania podczas montażu części, regulacji, czyszczenia, konserwacji lub gdy nie jest używany. Odłączenie produktu od zasilania pozwala zapobiec przypadkowemu uruchomieniu, które mogłoby spowodować obrażenia.
- W przypadku serwisowania należy stosować wyłącznie oryginalne części zamienne. akcesoria oraz osprzęt producenta. Użycie jakiegokolwiek innej części mogłoby spowodować zagrożenie lub też uszkodzić wasze narzędzie.
- Nie wolno dopuścić do kontaktu plastikowych części z płynem hamulcowym, benzyną, produktami ropopochodnymi, olejami penetrującymi itp. Te produkty chemiczne zawierają substancje, które mogłyby uszkodzić, osłabić lub zniszczyć plastik, co mogłoby spowodować poważne zranienie.
- Nie stosować rozpuszczalników do czyszczenia elementów plastikowych. Większość tworzyw sztucznych, mogłyby zostać uszkodzone przez użycie rozpuszczalników dostępnych w sprzedaży. Używanie czystszej szmatki do mycia zabrudzeń, pyłu, itd.
- Aby zapewnić wyższy poziom bezpieczeństwa i niezawodności, wszystkie naprawy powinny być przeprowadzane przez autoryzowany punkt serwisowy.

#### SYMBOLY



Uwaga dotycząca bezpieczeństwa

**n**

Prędkość znamionowa

**v**

Wolt



Prąd stały

**min<sup>-1</sup>**

Ilość obrotów czy ruchów na minutę



Przed uruchomieniem urządzenia prosimy uważnie przeczytać instrukcję



Stosować środki ochrony słuchu



Stosować środki ochrony wzroku



Noś maskę przeciwpyłową.



Zakładać rękawice ochronne



Nosić antypoślizgowe obuwie ochronne.



Nie należy używać tarczy szlifierskiej, która jest wyszczerbiona, pęknięta (zarysowana) lub w inny sposób uszkodzona



Nie należy stosować do cięcia



Należy korzystać z osłony



Metal



Urządzenie nie jest przeznaczone do cięcia na mokro. Używanie wody czy płynów chłodzących może spowodować porażenie prądem elektrycznym, nawet śmiertelne.



Nie używać do szlifowania powierzchni.



Symbol zgodności z przepisami europejskimi



Symbol zgodności z przepisami brytyjskimi



Symbol zgodności z przepisami ukraińskimi

001



Znak zgodności EurAsian



Zużyte produkty elektryczne nie powinny być utylizowane z odpadami domowymi. Prosimy poddawać recyklingowi w odpowiednich miejscach. Informacje o właściwych metodach recyklingu można uzyskać u władz lokalnych lub sprzedawcy.

## SYMBOLE W INSTRUKCJI



Uwaga



Części lub akcesoria sprzedawane oddzielnie



Blokada



Odkręcenie uchwytu



Zatrzymać produkt.



Bez przykładania siły



Po przyłożeniu siły

EN

FR

DE

ES

IT

NL

PT

DA

SV

FI

NO

RU

PL

CS

HU

RO

LV

LT

ET

HR

SL

SK

BG

UK

TR

EL

Bezpečnost, výkon a spolehlivost byli hlavní prioritou při návrhu vaší úhlové brusky.

## ZAMÝŠLENÉ POUŽITÍ

Úhlová bruska je určena pouze pro používání dospělými osobami, které si přečetly a řádně pochopily pokyny a varování v této příručce a jsou zodpovědné za své konání.

Tento produkt je určen k broušení a řezání kovových a kamenických materiálů. Pouze upiňte na úhlovou brusku odpovídající brusné kotouče, jak je popsáno v kapitole s technickými údaji výrobku této příručky.

Tento výrobek je určen k používání pouze za sucha. Přístroj nepoužívejte v mokřem prostředí.

Toto nářadí je určeno k ručnímu používání. Tento přístroj není určen k montáži na pracovní stůl.

Výrobek je určen pouze pro spotřebitelské využití.

Nepoužívejte výrobek jinak než je uvedeno v určeném použití. Použití elektricky poháněného nástroje pro práce jiné, než zamýšlené by mohlo mít za následek nebezpečnou situaci.

**⚠️ VAROVÁNÍ! Přečtěte si pozorně upozornění, pokyny a technické specifikace dodané s nářadím a prohlédněte si ilustrace.** Nedodržení uvedených pokynů může způsobit požár, úraz elektrickým proudem a/nebo jiné vážné zranění.

**Uschovejte si všechny pokyny a varování pro budoucí nahlednutí.**

## BEZPEČNOSTNÍ POKYNY PRO PRÁCI S ÚHLOVOU BRUSKOU

**BEZPEČNOSTNÍ UPOZORNĚNÍ URČENÉ PRO BROUŠENÍ NEBO ROZBRUŠOVÁNÍ:**

- **Toto elektrické nářadí je určeno k používání jako bruska nebo rozbrušovačka. Přečtěte si pozorně upozornění, pokyny a technické specifikace dodané s nářadím a prohlédněte si ilustrace.** Nedodržení uvedených pokynů může způsobit požár, úraz elektrickým proudem a/nebo jiné vážné zranění.
- **S tímto elektrickým nářadím nelze provádět činnosti jako smrkování, kartáčování, leštění či děrování.** Nedodržení tohoto pokynu může způsobit vážné zranění či materiální škody.
- **Neupravujte toto elektrické nářadí způsobem pro který nebylo specificky určeno které není konkrétně uvedeno výrobcem nářadí.** Podobná úprava by mohla vyústit ve ztrátu kontroly a způsobit vážný úraz.
- **Nepoužívejte doplňky, které nejsou konkrétně určeny a specifikovány výrobcem nářadí.** I když lze příslušenství jiných výrobců nasadit na nářadí, neznamená to, že je jeho používání bezpečné.
- **Jmenovitá rychlost příslušenství musí být stejná nebo vyšší než je maximální rychlost uvedená na nářadí.** Příslušenství, které pracuje vyšší rychlostí, než je jeho jmenovitá rychlost, se může rozlomit a vymrštit z nářadí.
- **Vnější průměr a tloušťka příslušenství musí odpovídat technickým údajům pro dané nářadí.** Pokud příslušenství neodpovídá technickým údajům, ochranný systém nebude pracovat správně a nářadí nebude dobře seřízené.

- **Montážní rozměry příslušenství musí odpovídat rozměrům montážních pomůcek elektrického nářadí.** Doplňkz otvor je nevhodný pro nástroj může způsobit nerovnováhu, nadměrné vibrace a dokonce ztrátu kontroly.
- **Nepoužívejte poškozené příslušenství. Po každém použití nářadí zkontrolujte, zda je příslušenství, které jste používali, v dobrém stavu: ujistěte se, že brusné kotouče nejsou tupé nebo prasklé, brusné desky opotřebované nebo roztržené a že hroty kovových kartáčů nejsou tupé nebo zlomené. V případě pádu nářadí nebo příslušenství zkontrolujte, zda žádný prvek nářadí nebyl poškozen a v případě nutnosti, použijte nové příslušenství. Po provedení kontroly stavu příslušenství a po jeho nasazení na nářadí se postavte do bezpečné vzdálenosti a počkejte, dokud nářadí nedosáhne své maximální rychlosti. Nechte nářadí běžet na maximální otáčky zhruba po dobu jedné minuty. Pokud je příslušenství poškozené, během této zkoušky dojde k jeho rozbití.**
- **Používejte osobní ochranné pomůcky. V závislosti na používání nářadí, noste bezpečnostní nebo uzavřené ochranné brýle, nebo ochranné brýle s bočními kryty. V případě potřeby používejte protiprašný respirátor, sluchovou ochranu, ochranné rukavice a ochrannou zástěru s laelem, abyste se chránili před odlétajícími kusky obráběného materiálu (kovový prach a piliny, třísky apod.).** Ochrana očí musí být schopna zastavit letící třísky vznikající při různých aplikacích. Ochranná rouška nebo respirátor musí být schopny odfiltrovat částice vznikající při konkrétním použití. Dlouhodobá expozice vysokému hluku může způsobit poškození sluchu.
- **Dbejte, aby se přihlížející osoby zdržovaly v dostatečné vzdálenosti a aby byly vybaveny osobními ochrannými prostředky. Všechny osoby vstupující na pracoviště musí používat osobní ochranné prostředky.** Úlomky obráběného materiálu nebo rozlomené příslušenství může být vymršteno i mimo pracovní zónu a způsobit vážný úraz.
- **Držte nářadí pouze za izolované části s protiskluzovou úpravou, pokud pracujete s materiálem, ve kterém mohou být elektrické kabely.** Kontakt s „živým“ vodičem způsobí, že kovové části elektricky poháněného nástroje se stanou také „živými“ a způsobí elektrický úraz obsluze.
- **Nikdy nepokládejte nářadí, pokud se příslušenství ještě otáčí. Nikdy nepokládejte nářadí, pokud se příslušenství ještě otáčí.**
- **Otáčející se příslušenství by mohlo narazit na plochu, na kterou jste nářadí položili, a mohli byste ztratit kontrolu nad nářadím. Při přenášení nářadí vypněte.** Otáčející se příslušenství by se mohlo zachytit o váš oděv a způsobit vám závažný úraz.
- **Pravidelně čistěte větrací otvory v nářadí. Při větrání motoru se pod kryt motoru dostává prach, proto je nutné větrací otvory pravidelně čistit, aby nedocházelo k usazování kovových částic, které by mohly způsobit úraz elektrickým proudem.**
- **Nepoužívejte nářadí v blízkosti hořlavých předmětů.** Jiskřením by mohlo dojít k jejich vznícení.
- **Nepoužívejte příslušenství, které si vyžaduje chladicí médium.** Používání vody nebo chladicí kapaliny může způsobit úraz elektrickým proudem nebo elektrickou ránu.



## Zpětný vrh a související varování

Zpětný ráz je prudká reakce nářadí, ke které dojde, když se otáčející kotouč, brusný kotouč, kartáč či jiné příslušenství ohne, uvízne či zablokuje v obráběném materiálu. Nářadí se nezastaví a stále se otáčí, tím vyvíjí tlak v opačném směru, než je pracovní směr zablokovaného příslušenství.

Například pokud uvízne brusný kotouč v obráběném dílu, řezná hrana kotouče se zanofí do obráběného dílu a dojde k prudké reakci kotouče, který nekontrolovaně vyskočí ze své dráhy směrem k uživateli, v závislosti na směru otáčení kotouče před jeho zablokováním. Kotouč může vyskočit buď směrem k nebo od operátora, v závislosti na směru kola hnutí v místě skřípnutí. Při zpětném rázu se brusný kotouč může zlomit.

Zpětný ráz je tudíž způsoben nesprávným používáním nářadí a/nebo nevhodným postupem při řezání, případně nevhodnými podmínkami řezání.

- **Držte pevný úchop elektrického nářadí oběma rukama postavte se do takové pozice, abyste dokázali tělem a pažemi zachytit síly zpětného rázu. Pokud je nářadí vybaveno pomocnou rukojetí, vždy držte nářadí oběma rukama.** Tím se usnadní kontrola nad nářadím v případě zpětného rázu nebo reakčního momentu při spuštění nářadí. Při zpětném rázu nebo reakčním momentu je třeba přijmout odpovídající opatření.
- **Nikdy nepřibližujte ruce do blízkosti otáčejícího se příslušenství, abyste si nezpůsobili vážné zranění v případě zpětného rázu.** Příslušenství může odskočit zpět přes vaše ruce.
- **Nestavte se do místa možného zpětného rázu nářadí.** V případě zpětného rázu je nářadí vymrštěno opačným směrem, než je směr otáčení kotouče.
- **Postupujte opatrně při práci v rozích, při opracování ostrých hran apod. Dávejte pozor, aby se vám nářadí nevysemklo a aby se příslušenství nezablokovalo.** Při práci v rozích a při opracování ostrých hran se zvyšuje nebezpečí vysmeknutí nářadí a zablokování příslušenství, které mají za následek ztrátu kontroly a zpětný ráz.
- **Nemontujte řetěz pily, hoblovací nůž, segmentovaný diamantový kotouč s obvodovou mezerou vyšší jak 10 mm nebo pilový ozubený kotouč.** Tyto kotouče zvyšují riziko zpětného rázu a ztráty kontroly nad nářadím.

## Bezpečnostní upozornění platná specificky pro broušení a děrování

- **Používejte pouze kotouče, které jsou určeny pro vaše nářadí, a ochranným krytem určeným pro zvolený kotouč.** Kotouče nenavržené pro danou brusku nelze dostatečně chránit a jsou nebezpečné.
- **Brusná plocha středu zatlačeného kotouče se musí montovat pod plochu okraje krytu.** Nesprávně namontovaný kotouč vyčnívající z okraje krytu nebude vhodně chráněn.
- **Kryt musí být bezpečně připojen k elektrickému nástroji a umístěn pro maximální bezpečnost, tím je obsluha vystavena minimální plocha kotouče.** Kryt pomáhá obsluhu chránit před rozbitými fragmenty kotouče, kontaktem s kotoučem a jiskrami, které mohou zapálit oděv.
- **Kotouče se mohou používat jen k určeným způsobům použití. Například nebruste stranou**

**brusného kotouče.** Hrubé rozbrušovací kotouče jsou určeny pro okrajová broušení, boční síly použité na tyto kotouče mohou způsobit jejich poničení.

- **Vždy používejte nepoškozené okolky kotouče se správnou velikostí a tvarem pro váš vybraný kotouč.** Správné okolky kotouče podporují kotouč, čímž snižují možnost zaseknutí kotouče. Okolky pro rozbrušovací kotouče mohou být jiné než okolky brusných kotoučů.
- **Nepoužívejte opotřebované kotouče z větších nástrojů.** Kotouč zvolený pro větší nástroj je nevhodný pro vysoké rychlosti malého nástroje a může prasknout.
- **Při používání dvojúčelových kotoučů vždy používejte správný ochranný kryt určený k prováděné činnosti.** Nesprávné použití ochranných prostředků nemusí zajistit požadovanou úroveň bezpečnosti, což může vést k vážnému úrazu.

## Dodatečná bezpečnostní upozornění platná specificky pro děrování a propichování

- **„Neblokujte“ řezný kotouč ani nepoužívejte nadměrný tlak. Nezkoušejte se provádět nadměrně hluboké řezy.** Namáhání kotouče zvyšuje zátěž a náchylnost ke stočení nebo uváznutí kotouče v řezu a možnost zpětného vrhu nebo zlomení kotouče.
- **Nestavte své tělo do linie a za rotující kotouč.** Pokud kotouč, v místě použití, se pohybuje směrem od vašeho těla, může možný zpětný vrh odhodit rotující kotouč a elektrický nástroj přímo na Vás.
- **Pokud dochází k svírání nebo je potřeba z jakéhokoliv důvodu řezání přerušit, vypněte elektrické nářadí a držte je bez pohybu, dokud se kotouč úplně nezastaví. Nikdy se nepokoušejte přemísťovat řezný kotouč z místa řezání, když se kotouč pohybuje, jinak nastane zpětný vrh.** Pokud kotouč uvízne v řezaném materiálu, pokuste se nalézt příčinu a proveďte nápravu, aby k zablokování kotouče již nemohlo dojít.
- **Neobnovujte řezání přímo v obrobku. Nechte kotouč dosáhnout plné rychlosti a opatrně znovu vstupte do řezaného místa.** Když je kotouč uvízlý, může z obrobku vyskočit nebo být zpětně vržen, když se znovu spustí v obrobku.
- **Podepřete velké panely nebo velké obrobky pro minimalizaci nebezpečí sevření kotouče a zpětného vržení.** Velké obrobky mají sklon se prohýbat vlastní tíhou. Podpora musí být umístěna pod obrobkem po obou stranách blízko linie řezu a blízko okrajů obrobku.
- **Budte velmi opatrní, když děláte „zářez“ do dané zdi nebo jiných slepých oblastí.** Vyčnívající kotouč může přeřezat potrubí vedoucí plyn či vodu, elektrické vodiče či předměty, které způsobují zpětný vrh.
- **Nepokoušejte se řezat v křivkách.** Přílišné tlačení na kotouč zvyšuje zatížení a náchylnost ke zkroucení nebo sevření kotouče v řezu s případným zpětným rázem nebo zlomením kotouče, což může vést k vážnému úrazu.

## DOPLŇUJÍCÍ BEZPEČNOSTNÍ VAROVÁNÍ

- **Upínadlo obrobku s upínacím zařízením.** Neupnuté obrobky mohou způsobit vážné zranění nebo škody na majetku.
- **Poranění mohou být způsobena, či zhoršena, prodlouženým používáním nástroje.** Když používáte jakýkoliv nástroj delší dobu, dělejte pravidelné přestávky.

- Rozsah teplot okolí při používání nástroje je od 0 °C do 40 °C.
- Rozsah teplot okolí při skladování nástroje je od 0 °C do 40 °C.
- Rozsah doporučených teplot okolí při používání systému nabíjení akumulátoru je od 10 °C do 38 °C.

### DOPLŇUJÍCÍ BEZPEČNOSTNÍ UPOZORNĚNÍ K BATERII

Abyste zabránili nebezpečí požáru způsobeného zkratem, poraněním nebo poškozením výrobku, neponořujte nářadí, výměnnou baterii nebo nabíječku do kapalin a zajistěte, aby do zařízení a akumulátorů nevnikly žádné tekutiny. Korodující nebo vodivé kapaliny, jako je slaná voda, určité chemikálie a bělicí prostředky nebo výrobky, které obsahují bělidlo, mohou způsobit zkrat.

- Rozsah provozních teplot okolí akumulátoru je od 0 °C do 40 °C.
- Rozsah skladovacích teplot okolí akumulátoru je od 0 °C do 20 °C.

### TRANSPORT LITHIOVÝCH BATERIÍ

Přenos baterie dle místních a národních opatření a předpisů. Dodržujte všechny zvláštní požadavky na balení a značení při transportu baterií třetí stranou. Zajistěte, aby žádné baterie nepřišly do kontaktu s jinými bateriemi nebo vodivými materiály při transportu pomocí ochrany nekrytých kontaktů prostřednictvím izolace, nevodivých krytek či lepicích pásek. Nepřepravujte prasklé nebo baterie s unikajícím elektrolytem. Ptejte se u zásilkové společnosti na další radu.

### SEZNAMTE SE S VÝROBKEM

Viz strana 109.

1. Otvor pro baterie
2. Rukojeť s izolací a protiskluzovým povrchem
3. Tlačítko pro aretaci vřetene
4. Boční držadlo
5. Zamykací páka krytu
6. Ochranný kryt k broušení bez použití nástrojů
7. Kolébkový spínač
8. Blokovací spínač
9. Vnější příruba
10. Brusný kotouč
11. Příruba
12. Vřetenová hřídel
13. Příručka pro operátora
14. Rozbrušovací kotouč
15. Nasazovací ochranný kryt k řezání bez použití nástrojů
16. Bateriový modul
17. Nabíječka

### ÚDRŽBA

- Výrobek nikdy nepřipojujte ke zdroji napájení, když se montují díly, provádí seřizování, čištění, údržba nebo když se nepoužívá. Odpojení nářadí od zdroje energie zabrání nechtěnému spuštění, které by mohlo způsobit vážné poranění.
- Při provádění servisu používejte pouze originální příslušenství, doplňky a náhradní díly výrobce. Použití jakýchkoliv jiných dílů může vytvořit nebezpečí nebo způsobit poškození výrobku.
- Nikdy nenechte přijít brzdové kapaliny, petrolej, výrobky založené na petroleji, pronikavé oleje, atd. do

kontaktu s plastovými součástmi. Tyto výrobky obsahují chemikálie, které mohou poškodit, oslabit nebo zničit plastové části, případně snížit jejich životnost a být příčinou úrazu.

- Vyhnete se používání rozpouštědel, když čistíte plastové díly. Většina ředidel běžně dostupných v obchodní síti se nehodí k čištění plastových částí, neboť narušuje povrch plastů. K odstranění nečistot, prachu apod. použijte čistý hadr.
- Pro lepší bezpečnost a bezporuchovost by mělo opravy provádět pověřené autorizované servisní středisko.

### SYMBOLY



Bezpečnostní výstraha

n

Jmenovitá rychlost

v

Napětí



Stejnosměrný proud

min<sup>-1</sup>

Počet otáček nebo pohybů (kmitů) za minutu



Před spuštěním přístroje si řádně přečtěte pokyny.



Noste ochranu sluchu



Noste ochranu očí



Noste respirátor.



Noste ochranné rukavice



Noste protiskluzovou pracovní obuv.



Nepoužívejte kotouč s prasklinami, otřepy nebo vadami



Nepoužívejte pro řezání



Používejte kryt



Kov



Nevhodné pro broušení za mokra. Používání vody nebo chladicí kapaliny může způsobit úraz elektrickým proudem nebo elektrickou ránu.



Nepoužívejte k rovinnému broušení.



Značka shody s evropskými normami



Značka shody s britskými normami



Značka shody s ukrajinskými normami



Euroasijská značka shody



Odpad elektrických výrobků se nesmí likvidovat v domovním odpadu. Recyklujte prosím na sběrných místech. Ptejte se u místních úřadů nebo prodejce na postup při recyklaci.

### SYMBOLY POUŽITÉ V NÁVODU



Poznámka



Díly nebo příslušenství jsou v prodeji samostatně



Zamknuto



Odemknuto



Zastavte zařízení.



Bez přítlaku



S přítlakem

A sarokcsiszoló tervezésekor a biztonság, a teljesítmény és a megbízhatóság voltak a legfontosabb szempontok.

## RENDELTETÉSSZERŰ HASZNÁLAT

A sarokcsiszolót csak felnőttek használhatják, akik elolvasták és megértették a kézikönyvben lévő utasításokat és figyelmeztetéseket, és felelősnek lehet őket tekinteni a tetteikért.

A terméket fémek és kőanyagok köszörülésére és vágására tervezték. Csak a termék kézikönyvének műszaki adatok részében meghatározott megfelelő csiszolókorongok szerelhetők fel a sarokcsiszolóra.

A terméket kizárólag száraz felületen szabad használni. Ne használja a terméket nedves alkalmazásokhoz.

A terméket kézi használatra tervezték. A terméket nem szabad munkaszaltra szerelni.

A terméket magáncélú felhasználásra tervezték.

Ne használja a terméket a rendeltetésétől eltérő célra. A szerszámgép rendeltetésétől eltérő műveletekre való használata veszélyes helyzeteket eredményezhet.

**⚠ FIGYELEM!** Figyelmesen olvassa el az ehhez a szerszámmal mellékelte összes figyelmeztetést, utasítást és műszaki adatokat, valamint tanulmányozza az ábrákat is. Az alább részletezett előírások be nem tartása olyan baleseteket okozhat, mint pl. tűz, áramütés és/vagy súlyos testi sérülések.

A jövőbeli felhasználásra őrizze meg az összes figyelmeztetést és útmutatót.

## A SAROKCSISZOLÓKRA VONATKOZÓ SPECIFIKUS BIZTONSÁGI ELŐÍRÁSOK

### BIZTONSÁGI FIGYELMEZTETÉSEK A KÖSZÖRÜLÉSHEZ VAGY VÁGÁSI MŰVELETEKHEZ:

- A szerszám köszörüléként vagy vágószerszámként használható. Figyelmesen olvassa el az ehhez a szerszámmal mellékelte összes figyelmeztetést, utasítást és műszaki adatokat, valamint tanulmányozza az ábrákat is. Az alább részletezett előírások be nem tartása olyan baleseteket okozhat, mint pl. tűz, áramütés és/vagy súlyos testi sérülések.
- Olyan műveleteket, mint például csiszolást, drótkoronggal való felületkezelést, polírozást vagy lyukvágást nem szabad ezzel a géppel végrehajtani. Ezen előírás be nem tartása baleseteket és súlyos testi sérüléseket okozhat.
- Ne alakítsa át ezt a gépet olyan működésre, amelyet nem kifejezetten a szerszám gyártója tervezett és adott meg. Az ilyen átalakítás eredményeként elveszitheti az irányítást az eszköz felett, és az súlyos személyi sérüléseket okozhat.
- Ne használjon olyan tartozékokat, amelyeket nem kifejezetten a szerszám gyártója tervezett és határozott meg. Még ha egy tartozékot fel is lehet a szerszámmal szerelni / helyezni, ez nem jelenti azt, hogy teljes biztonságban is lehetne ezt a szerszámot ily módon használni.
- A tartozék névleges sebessége (fordulatszáma) nagyobb vagy egyenlő kell hogy legyen, mint a szerszámmal jelölt maximális sebesség (fordulatszám). A saját névleges sebességüknél nagyobb sebességen üzemelő tartozékok eltörhetnek és kibőbódhatnak / kirepülhetnek a szerszámból.
- A tartozék külső átmérője és vastagsága meg kell hogy feleljen a szerszám megjelölt műszaki adatainak. Amennyiben a tartozékok nem felelnek meg a megadott adatoknak, akkor a szerszám védelmi- és beállítási rendszerei nem képesek megfelelőképp működni.
- A tartozék felszerelési méreteinek meg kell egyezniük a nagy teljesítményű eszköz felszerelési méreteivel. A gép rögzítő felületeihez nem illeszkedő tartozékok nem lesznek kiegyensúlyozva, vibrálni fognak és a gép feletti irányítás elvesztését okozhatják.
- Ne használjon sérült tartozékokat. Minden használat előtt ellenőrizze, hogy a használt tartozék jó állapotban van-e: bizonyosodjon meg arról, hogy a csiszoló korongok nem csorbultak / deformálódtak vagy repedtek, a talpak nem szakadtak vagy kopottak, valamint hogy a drótkéfék sőrtei nem túlságosan kopottak vagy törötték. Amennyiben a szerszám vagy a tartozék leesett, ellenőrizze hogy semelyik alkatétel nem sérült, szükség esetén pedig szereljen / tegyen fel egy sérülésmentes tartozékot. Miután ellenőrizte, hogy a tartozék jó állapotban van, és felszerelte / felhelyezte azt, akkor helyezkedjen el biztonságos távolságban a mozgó tartozéktól és hagyja hogy a szerszám egy percig maximális fordulatszámon működjön. Ha a tartozék sérült, akkor el fog törni e teszt során.
- Viseljen személyi védőfelszerelést. Aszerint, hogy mire használja a szerszámot, viseljen védőmaszkot, biztonsági- vagy védőszemüveget. Szükség esetén hordjon porvédő maszkot, hallásvédő eszközt (fülvédőt, fül dugót), kesztyűt, védőkötényt az idegen testek (súroló darabok, faforgács stb.) becsapódása elleni védelem érdekében. A szemvédelemnek képesnek kell lennie a különféle alkalmazások által generált repülő törmelék megállítására. A porvédő maszknak vagy a légzőkészüléknek képesnek kell lennie arra, hogy az adott alkalmazás során keletkező részecskéket kiszűrje. Halláskárosodást okozhat, ha erős zajnak hosszabb időn keresztül ki van téve.
- A munkát szemléltőket tartsa megfelelő távolságban a munkaterülettől és ügyeljen arra, hogy hordjanak megfelelő védőfelszerelést. Bárki beléphet a munkaterületen kell viselniük egyéni védőeszközöket. A munkadarab ill. egy sérült tartozék töredékei a munkaterületen túlrá repülhetnek és súlyos testi sérüléseket okozhatnak.
- A gépet kizárólag a szigetelt, csúszásgátló részénél fogja, ha olyan felületen dolgozik, amelyben elektromos vezeték lehet. A feszültség alatt lévő vezetékekkel történő érintkezés során a szerszám fém alkatrészei áram alá kerülhetnek, minek következtében a kezelőt áramütés érheti.
- Soha ne tegye le addig a szerszámot, amíg a tartozék teljesen le nem áll. A forgó tartozék érintkezésbe léphet azzal a felülettel, amelyre helyezték, emiatt elveszitheti a szerszám felett az uralmát.
- Szállítás közben soha ne működtesse a szerszámot. A forgó tartozék bekaphatja a ruháját és súlyos sérülést okozhat.
- Rendszeresen tisztítsa a szerszám szellőzőnyílásait. A motor légáramlása a motorház belsejébe szívja a port, ami által felhalmozódhatnak ott a fémrészecskék és ez áramütést idézhet elő.
- Ne használja a szerszámot gyúlékony, tűzveszélyes anyagok közelében. A szerszám által keltett szikrák meggyújthatják ezeket.

- **Ne használjon hűtőfolyadékkal működő tartozékokat.** A víz ill. a hűtőfolyadékok használata áramütést okozhat.

#### Visszarúgás és ahhoz kapcsolódó figyelmeztetések

A megugrás egy olyan hirtelenszerű reakció, amely akkor léphet fel, ha a mozgásban lévő csiszolókorong, talp, drótkéfe vagy egyéb tartozék beszorul vagy elgörbül, ami az adott tartozék gyors blokkolásában nyilvánul meg. A szerszám tovább működik, így a tartozék használati irányával ellenkező irányban megdobja a szerszámot.

Például, ha egy vágótárcsa beszorul vagy elgörbül a munkadarabban, akkor a tárcsa éle belemélyülhet a munkadarab felületébe, ami a tárcsát a munkadarabról hirtelen a szerszámot használó személy irányába ill. – a leblokkolt tárcsa forgásirányának függvényében – távolra is vetheti. A kerék akkor sem ugrik irányába, vagy távol az üzemeltetőtől, attól függően, irány a kerék mozgását ponton csipkedte. Megugrás esetén a vágótárcsa el is törhet.

A megugrás ily módon a szerszám nem megfelelő használatának és/vagy a helytelen használati módoknak / körülményeknek az eredménye. Néhány óvintézkedés meghozatalával ill. figyelmes betartásával azonban elkerülhető ez a veszélyes jelenség.

- **Szilárdan tartsa mindkét kezével a gépet, és úgy helyezze a testét és a karjait, hogy ellenálljon a visszarúgási erőknél.** Ha a szerszámon segédfogantyú van, mindig ügyeljen a fogására. Ekkor optimális kontroll alatt tartja a szerszámot egy esetleges megugrás vagy a szerszám beindítása során jelentkező ellenhatás-nyomaték esetén. Hozza meg a szükséges intézkedéseket ahhoz, hogy uralma alatt maradjon a szerszám megugrás vagy ellenhatás-nyomaték esetén.
- **Soha ne helyezze a kezét a forgó tartozék közelébe, a súlyos testi sérülések veszélyének elkerülése érdekében.** Tartozékok kezein át.
- **Ne helyezkedjen abba a térszűzbe, ahova a szerszám kidobódhat egy esetleges megugrás esetén.** Megugrás esetén a szerszám a tárcsa forgásirányával ellentétes irányba repül ki.
- **Különös figyelemmel járjon el, ha sarkokon, éles peremeken stb. dolgozik. Kerülje a tartozék megcsúszását és beszorulását.** Amikor sarkokon, éles peremeken dolgozik, vagy megcsúszik a szerszám, akkor a tartozék blokkolásának – ily módon az uralom elvesztésének és a szerszám megugrásának – nagyobb a veszélye.
- **Ne szereljen fel a gépre fűrészláncot, famegmunkáló korongot, 100 mm-nél nagyobb szegmántsémlyéssel rendelkező szegmentált gyémánttárcsát és fűrészlapot.** Az ilyen típusú tárcsák növelik a szerszám megugrásának és uralomvesztésének veszélyét.

#### Biztonsági figyelmeztetések a köszörléshez és a vágási műveletekhez

- **Csak a géphez és a kiválasztott kerékhez tervezett védőburkolathoz megadott keréktípusokat használjon.** Azok a tárcsák, melyeknek használatára a gép nincs felkészítve, nem védhető megfelelően és ezért nem biztonságosak.
- **A sülyesztett középűs furatú korongokat úgy kell felszerelni, hogy a védőburkolat pereme alá kerüljenek.** A védőburkolat peremének síkján átnyúló, rosszul felszerelt korongnak nem megfelelő a védelme.

- **A védőt biztosan kell rögzíteni a gépen, és úgy kell beállítani, hogy a maximális biztonságot nyújtsa, azaz a tárcsa lehető legkisebb nem védett része nézzen a kezelő felé.** A védőburkolat megvédi a kezelőt a széttört korong darabjaitól és a koronggal, illetve a ruhágrát esetleg meggyújtó szikrákkal való véletlen érintkezéstől.

- **A kerekeket csak meghatározott alkalmazásokhoz szabad használni.** Ezért ne csiszoljon például a vágótárcsa oldalával. A csiszoló vágótárcsák oldalirányú csiszolásra valók, ezért nagy oldalsó erőknél vannak kitéve, melyek akár a tárcsa összetörését is okozhatják.

- **Mindig sérülésektől mentes tárcsarögzítő peremeket használjon, melyek mérete és alakja megfelelő a kiválasztott tárcsához.** A tárcsarögzítő peremek megtámasztják a tárcsát, így csökkentik a tárcsa eltörésének veszélyét. A vágótárcsák rögzítőperemei különbözhetnek a csiszolókorongokhoz szükséges peremektől.

- **Ne használjon nagyobb gépekről származó elhasznált tárcsákat.** A nagyobb szerszámgépekhez való tárcsa a kisebb gép nagyobb fordulatszáma miatt nem használható, mert szétrobbanhat.

- **Kettős célú kerekek használata esetén mindig a megfelelő védőburkolatot kell használni az alkalmazáshoz.** Ha nem a megfelelő védőburkolatot használja, nem biztos, hogy a kívánt szintű védelmet nyújtja, ami súlyos sérülésekhez vezethet.

#### A vágási műveletekre vonatkozó kiegészítő biztonsági figyelmeztetések.

- **Ne "csipje be" a vágótárcsát, és ne fejtessen ki túlzott nyomást. Ne próbálkozzon túl mélyen vágni.** A tárcsa feszítése növeli a terhelést és a tárcsa hajlamosságát a csavarodásra vagy görbülésre a vágásjáratban, valamint a visszarúgás és a tárcsa törésének veszélyét.
- **Ne helyezze a testét forgó tárcsa síkjába.** Amikor a tárcsa a megmunkálási pontban az Ön testétől elfelé mozog, az esetleges visszarúgás megperdítheti a forgó tárcsát, és Ön felé lendítheti a szerszámgépet.
- **Amikor a körfűrész bármilyen okból megszorul vagy megcsúszik a vágást, kapcsolja ki a szerszámot, és rögzítse a helyzetét, amíg a körfűrész teljesen megáll.** Ne próbálja eltávolítani a vágótárcsát a vágásból, ha a tárcsa forog, máskülönbén visszarúgás történhet. Soha ne próbálja a még forgó tárcsát levenni, ez megugrást idézhet elő.
- **Ne kezdje újra a vágást a munkadarabban. Hagyja, hogy a vágótárcsa teljes fordulatszámra gyorsuljon, majd óvatosan engedje be a vágásba.** A tárcsa beakadhat, felemelkedhet vagy visszarúghat, ha a gépet a munkadarabban indítja be.
- **A paneleket és a túlméretes munkadarabokat támassza alá, hogy csökkentse a tárcsa becsúszásának és visszarúgásának kockázatát.** A nagyméretű munkadarabok a saját súlyuk alatt behajolhatnak. A támaszókat a vágásvonal közelében, valamint a munkadarab széléhez közel is el kell helyezni a tárcsa mindkét oldalán.
- **Különös figyelemmel járjon el, ha "beszűrő vágást" végez egy már meglévő falban vagy más előre nem látható területen.** A kiálló tárcsa gáz- vagy vízcsoveket, illetve elektromos vezetékeket vagy más tárgyakat vághat el, ami visszarúgást okozhat.

- **Ne próbáljon ívelt vágást végezni.** A tárcsa túlterhelése miatt a tervezettnél nagyobb nyomás éri a szerszámot, a kerék könnyebben elcsavarodhat vagy megakadhat vágás közben, a szerszám visszauzhat, illetve eltérhet a tárcsa, ami súlyos sérülést okozhat.

#### TOVÁBBI BIZTONSÁGI FIGYELMEZTETÉSEK

- Szorítsa le a munkadarabot egy szorítóval. A nem rögzített munkadarabok súlyos sérüléseket és károkat okozhatnak.
- A gép hosszabb idejű folyamatos használata sérüléseket okozhat vagy súlyosbíthatja a tüneteket. Ha a gépet hosszú időn át kell használnia, tartson gyakran szünetet.
- Az eszköz környezeti hőmérséklet-tartománya a működés során: 0°C - 40°C.
- Az eszköz környezeti hőmérséklet-tartománya a tárolás során: 0°C - 40°C.
- A töltőrendszer ajánlott környezeti hőmérséklet-tartománya töltés során: 10°C - 38°C.

#### AZ AKKUMULÁTOR KIEGÉSZÍTŐ BIZTONSÁGI FIGYELMEZTETÉSEI

A rövidzárlat általi tűz, sérülések vagy termékkárosodások veszélye elkerülésére ne merítse a szerszámot, a cserélhető akkut vagy a töltőkészüléket folyadékokba, és gondoskodjon arról, hogy ne hatoljanak folyadékok a készülékekbe és az akkuba. A korrozív hatású vagy vezetőképes folyadékok, mint pl. a sós víz, bizonyos vegyi anyagok, fehérítők vagy fehérítő tartalmú termékek, rövidzárlatot okozhatnak.

- Az akkumulátor környezeti hőmérséklet-tartománya a használat során: 0°C - 40°C.
- Az akkumulátor környezeti hőmérséklet-tartománya a tárolás során: 0°C - 20°C.

#### LÍTIUM AKKUMULÁTOROK SZÁLLÍTÁSA

Az akkumulátorokat a helyi és nemzeti előírásokkal és szabályokkal összhangban szállítsa.

Az elemek külső fél általi szállításakor kövesse a csomagolásra és a címkézésre vonatkozó speciális előírásokat. Ügyeljen arra, hogy az akkumulátorok ne érhessenek más akkumulátorokhoz vagy vezető anyagokhoz szállítás közben; ehhez a szabadon maradt csatlakozókat védje szigetelő fedéllel vagy szalaggal. Ne szállítson repedt vagy szivárgó akkumulátorokat. További információért vegye fel a kapcsolatot a továbbítást végző céggel.

#### ISMERJE MEG A TERMÉKET

109. oldal.

1. Akkumulátornyílás
2. Kar, szigetelt fogófelület
3. Tengely reteszgomb
4. Oldalsó kar
5. Védőburkolat kar reteszelő
6. Eszköz nélküli köszörű-védőelem
7. Lapátkapcsoló
8. Reteszelőkapcsoló
9. Külső alátét
10. Csiszolókorong (tárcsa)
11. Alátét
12. Orsótengely
13. Használati útmutató

14. Vágólemez
15. Eszköz nélküli vágólap-takarólemez
16. Akkumulátor
17. Töltő

#### KARBANTARTÁS

- Alkatrészek szerelések, beállítások végzésekor, tisztítások, karbantartás végzésekor, illetve használaton kívül mindig húzza ki a gépet az elektromos hálózatról. Ha a terméket leválasztja az áramellátásról, megakadályozza a véletlen elindítást, ami komoly sérülést okozhat.
- Szervizeléskor csak a gyártó eredeti cserealkatrészeit, kiegészítőit és rátéiteit használja. Bármilyen más alkatrész használata veszélyes és a termék károsodását okozhatja.
- A műanyag részek semmilyen körülmények között nem érintkezhetnek fékolajjal, benzinnel, petróleum alapú termékekkel, beszívódó olajokkal stb. Ezek a vegyszerek olyan vegyületeket tartalmaznak, melyek megromláthatják, meglágyíthatják vagy lebontják a műanyagból készült részeket, ami súlyos testi sérüléseket is okozhat.
- A műanyag részek tisztításakor tartózkodjon a tisztítószerek használatától. A kereskedelmi forgalomban kapható oldószerek rongáló hatással vannak a műanyagból készült elemek többségére. A por és egyéb szennyeződések stb. tisztítására használjon egy tiszta ruhadarabot.
- A nagyobb biztonság és megbízhatóság érdekében minden javítást hivatalos szervizközpontban kell elvégeztetni.

#### SZIMBÓLUMOK



Biztonsági figyelmeztetés

n

Névleges fordulatszám

v

Volt



Egyenáram

min<sup>-1</sup>

Fordulatok ill. löketek száma percenként



A gép bekapcsolása előtt figyelmesen olvassa el az útmutatót.



Viseljen fülvédőt



Viseljen szemvédőt



Viseljen pormaszkot.



Viseljen biztonsági védőkesztyűt



Viseljen csúszásgátló biztonsági cipőt.



Ne használjon kicsorbult, repedt vagy hibás csiszolókorongot



Ne használja vágásra



Használjon védőburkolatot



Fém



Nem használható nedves csiszolásra. A víz ill. a hűtőfolyadékok használata áramütést okozhat.



Ne használja homlokfelületek csiszolásához.



Európai megfelelőségi jelölés



Brit megfelelőségi jelölés



Ukrán megfelelőségi jelölés

001



Eurázsiai megfelelőségi jelzés



A kiselejtezett elektromos termékeket nem szabad a háztartási hulladékkal együtt kidobni. Ezeket újra kell hasznosítani, ha van rá lehetőség. Az újrahasznosítással kapcsolatban érdeklődjön a helyi önkormányzatnál vagy a termék forgalmazójánál.

## A KÉZIKÖNYVBEN HASZNÁLT SZIMBÓLUMOK



Megjegyzés



Külön értékesített alkatrészek és kiegészítők



Retesz



Szétnyitás



Állítsa le a gépet.



Erő nélkül



Erővel

Au fost acordate priorități maxime asupra siguranței, performanței și fiabilității în proiectarea polizorului dvs. unghiular.

## DOMENIU DE APLICAȚII

Polizorul unghiular este destinat a fi folosit doar de adulții care au citit și înțeles instrucțiunile și avertizările din acest manual și pot fi considerați responsabili pentru acțiunile lor.

Produsul este conceput pentru rindeluirea și tăierea materialelor din metal și piatră. Doar discuri de polizare corespunzătoare trebuie să fie fixate la acest polizor unghiular, așa cum este descris în secțiunea specificații produs din cadrul acestui manual.

Produsul este destinat exclusiv pentru utilizarea pe uscat. A nu se utiliza produsul pentru aplicații cu umezeală.

Produsul este conceput pentru a fi ținut în mână. Produsul nu a fost conceput pentru a fi montat pe un stand de lucru.

Produsul este destinat exclusiv consumatorilor.

Nu folosiți produsul în niciun alt fel decât cel menționat pentru folosirea lui destinată. Utilizarea uneltei electrice pentru alte operații decât cele preconizate poate duce la situații periculoase.

**⚠ AVERTISMENT! Citiți, cu atenție, toate avertismentele, instrucțiunile și specificațiile furnizate împreună cu aparatul, și consultați ilustrațiile.** Nerespectarea instrucțiunilor prezentate în continuare poate provoca accidente cum ar fi incendii, electrocutare și/ sau vătămări corporale grave.

**Salvați toate avertizările și instrucțiunile pentru o consultare ulterioară.**

## MĂSURI DE SECURITATE SPECIFICE POLIZOARELOR UNGHIULARE

**ATENȚIONĂRI DE SECURITATE COMUNE PENTRU OPERAȚIILE DE RINDELIURE, SABLARE, UTILIZAREA PERIEI DE SĂRMĂ, POLISARE SAU TĂIERI:**

- Această uneltă electrică este concepută pentru a funcționa ca o rindea sau ca o uneltă pentru tăiere. Citiți, cu atenție, toate avertismentele, instrucțiunile și specificațiile furnizate împreună cu aparatul, și consultați ilustrațiile. Nerespectarea instrucțiunilor prezentate în continuare poate provoca accidente cum ar fi incendii, electrocutare și/sau vătămări corporale grave.
- Operațiile de sablare, utilizare a periei de sărmă, polizare sau găurire nu se vor executa cu această uneltă electrică. Nerespectarea acestei reguli poate produce accidente și vătămări corporale grave.
- Nu modificați această uneltă astfel încât să opereze într-un mod pentru care nu a fost proiectată și care nu este conform specificațiilor producătorului uneltei. O astfel de modificare ar putea duce la pierderea controlului și poate cauza răni grave.
- A nu se utiliza accesorii care nu sunt proiectate conform specificațiilor și care nu corespund specificațiilor producătorului uneltei. Chiar dacă un accesoriu se poate monta pe aparat, acesta nu garantează că veți putea utiliza aparatul în deplină siguranță.
- Viteza nominală a accesoriului trebuie să fie egală sau mai mare decât viteza maximă indicată pe aparat. Accesoriile care funcționează la o viteză mai mare decât viteza lor nominală se pot rupe și pot fi aruncate.

- Diametrul exterior al accesoriului și grosimea acestuia trebuie să corespundă caracteristicilor specificate pentru aparat. În cazul în care accesoriile nu corespund caracteristicilor date, sistemele de protecție și de reglare ale aparatului nu vor putea funcționa corect.
- Dimensiunile accesoriului care se montează trebuie să se potrivească cu dimensiunile suportului uneltei electrice pe care se montează. Accesoriile care nu se potrivesc pe hardware-ul de montare a aparatului electric vor funcționa dezechilibrate, vor vibra excesiv și pot cauza pierderea controlului.
- Nu utilizați accesorii deteriorate. Înainte de fiecare utilizare, verificați dacă accesoriul pe care-l utilizați este în stare corespunzătoare: asigurați-vă că discurile abrazive nu sunt știrbite sau fisurate, că tălpile nu sunt crăpate sau uzate, că firele periiilor metalice nu sunt foarte uzate sau rupte. În cazul căderii aparatului sau accesoriului, verificați ca niciun element să nu fie deteriorat și, dacă este nevoie, instalați un accesoriu nou. După ce ați verificat că accesoriul este în stare corespunzătoare și după ce l-ați instalat, îndepărtați-vă de accesoriul mobil și lăsați aparatul timp de un minut să ajungă la viteza maximă. În cazul în care accesoriul este deteriorat, acesta se va rupe în timpul acestui test.
- Purtați echipament de protecție personală. În funcție de utilizarea aparatului dumneavoastră, purtați o mască de protecție, ochelari de siguranță sau ochelari de protecție. Dacă este necesar, purtați o mască antipraf, protecții auditive, mănuși și un șorț pentru a vă proteja de proiectarea de corpuri străine (elemente abrazive, așchii de lemn, etc.). Protecția pentru ochi trebuie să poată să oprească resturile zburătoare generate la diverse aplicații. Masca de praf sau protecția pentru respirație trebuie să poată să filtreze particulele generate de o anumită aplicație. Expunerea prelungită la un zgomot de intensitate mare poate duce la pierderea auzului.
- Țineți vizitatorii la o distanță suficientă de zona de lucru și asigurați-vă că aceștia poartă echipament de protecție. Oricine intră în zona de lucru trebuie să poarte echipament personal de protecție. Este posibil ca fragmente din piesele de prelucrat sau de la un accesoriu rupt să fie proiectate dincolo de zona de lucru și să provoace vătămări corporale grave.
- Nu țineți aparatul decât de părțile izolate și antiderapante când lucrați pe o suprafață care poate ascunde fire electrice. Accesoriul de tăiere ce intră în contact cu un cablu sub curent ar putea alimenta electric părțile metalice expuse ale uneltei electrice și ar putea expune operatorul la un șoc electric.
- Nu așezați niciodată aparatul înainte ca accesoriul să se fi oprit complet. Accesoriul în rotație ar putea intra în contact cu suprafața pe care este așezat, ducând la pierderea controlului asupra aparatului.
- Nu lăsați aparatul în funcțiune când îl transportați. Accesoriul în rotație ar putea să se agațe în îmbrăcămintea dumneavoastră și v-ar putea răni grav.
- Curățați în mod regulat orificiile de ventilație ale aparatului. Ventilația motorului face ca praful să pătrundă în interiorul carcasei motorului, ceea ce poate produce o acumulare excesivă de particule metalice și poate provoca șocuri electrice.



- **Nu utilizați aparatul în apropiere de produse inflamabile.** Scântelele ar risca să le aprindă.
- **Nu utilizați accesorii care necesită lichide de răcire.** Utilizarea apei sau a lichidelor de răcire poate cauza electrocutări sau șocuri electrice.

#### Recul și alte avertizări asociate

Recul este o reacție bruscă, care are loc când discul în mișcare, talpa, peria sau orice alt accesoriu se agață sau se îndoiește, ceea ce antrenează blocarea rapidă a accesoriului. Aparatul, care continuă să funcționeze, proiectează atunci aparatul în direcția opusă sensului de utilizare a accesoriului.

De exemplu, dacă un disc abraziv se agață sau se îndoiește în piesa de prelucrat, există riscul ca tăișul discului să intre în suprafața materialului, ceea ce va face ca discul să iasă brusc din aceasta sau să fie proiectat. Discul poate sări sau nu către din partea operatorului, în funcție de direcția de mișcare roata de la punctul de blocare. În caz de recul, discul abraziv se poate și rupe.

Recul este deci rezultatul unei utilizări incorecte a aparatului și/sau al procedurilor sau al condițiilor de utilizare incorecte. Reculul poate fi evitat printr-o atenție deosebită acordată respectării unor precauțiuni:

- **Țineți ferm cu ambele mâini de unealta electrică și poziționați-vă corpul astfel încât să rezistați forței de recul.** Dacă aparatul are un mâner auxiliar, țineți-l întotdeauna pentru a avea un control optim asupra aparatului în caz de recul sau cu pliu de reacție când puneți aparatul în funcțiune. Luați măsurile necesare pentru a putea controla aparatul în caz de recul sau de cuplu de reacție.
- **Nu vă așezați mâna niciodată în apropierea accesoriului în rotație pentru a evita orice risc de răni corporale grave în caz de recul.** Accesoriul poate recula peste mâna dumneavoastră.
- **Nu vă așezați în zona în care există riscul ca aparatul să fie proiectat în caz de recul.** În caz de recul, aparatul este proiectat în direcția opusă sensului de rotație al discului.
- **Fiți foarte atenți când lucrați pe unghiuri, muchii tăioase, etc. Evitați deraparea sau blocarea accesoriului.** Când lucrați pe unghiuri sau muchii tăioase sau când aparatul derapează, există un risc mai mare de blocare a accesoriului și deci de pierdere a controlului asupra aparatului și de provocare a unui recul.
- **Nu atașați o drujbă, un disc de tăiat lemn, un disc diamantat segmentat cu un spațiu periferic mai mare de 10 mm sau un disc de tăiere cu dinți.** Astfel de lame măresc riscul de recul și de pierdere a controlului asupra aparatului.

#### Avertismente de siguranță specifice pentru operațiunile de rindeluire sau de tăiere

- **Utilizați numai tipurile de discuri care sunt specificate pentru unealta dvs. electrică și protecția specifică proiectată pentru discul selectat.** Discurile care nu sunt compatibile cu mașina electrică nu pot fi protejate adecvat și nu sunt sigure.
- **Suprafața de polizare a centrului coborât a discurilor trebuie să fie montată sub planul marginii apărătoarei.** Un disc necorespunzător montat care se proiectează prin planul marginii apărătoarei nu poate fi corect protejat.

- **Elementul de apărare trebuie atașat în siguranță la unealta electrică și poziționat pentru o siguranță maximă, astfel încât doar o mică parte din piatră să fie expusă înspre operator.** Apărătoarea ajută la protejarea operatorului de fragmentele rupte din disc, de contactul accidental cu discul și scântelele ce ar putea aprinde îmbrăcămintea.

- **Discurile trebuie utilizate numai pentru aplicațiile specificate.** De exemplu, nu sfluiți cu partea laterală a pietre abrazive. Discurile abrazive de tăiere sunt destinate pentru polizarea periferică, forțele laterale aplicate asupra acestor discuri poate provoca spargerea lor.

- **Întotdeauna utilizați flanșe nedeteriorate, având mărimea și forma corecte pentru piatra selectată.** Flanșele corespunzătoare sprijină piatra, reducând astfel posibilitatea sfărâmării pietrei. Flanșele pentru pietrele abrazive de rețezare pot diferi de flanșele discurilor de rectificare.

- **Nu utilizați pietre uzate aparținând altor unelte electrice mai mari.** Pietrele destinate uneltelor electrice mai mari nu se potrivesc cu viteza mare a uneltelor mai mici și se pot sfărâma.

- **Când se utilizează discuri cu dublă întrebuințare, utilizați întotdeauna protecția adecvată pentru aplicație care se execută.** Neutilizarea protecției adecvate poate duce la un nivel mai scăzut de siguranță ceea ce poate cauza răni grave.

#### Avertismente de siguranță suplimentare specifice pentru operațiunile de tăiere

- **Nu blocați discul de tăiere și nu aplicați presiune excesivă.** Nu încercați să efectuați o adâncitură de tăiere excesivă. Suprasolicitarea discului crește sarcina și probabilitatea răsucirii sau îndoirii discului în tăietură și posibilitatea de recul sau de spargere a discului.
- **Nu poziționați corpul în dreptul și în spatele discului rotativ.** Când discul, în punctul de funcționare, se îndepărtează de corp, reculul posibil poate proiecta discul rotativ și unealta electrică direct spre dvs.
- **Când discul s-a prins în ceva sau când se întrerupe procesul de tăiere dintr-un oarecare motiv, opriți unealta electrică și țineți-o nemișcată până când discul se oprește complet.** Nu încercați niciodată să scoateți discul de tăiere din tăietură în timp ce discul este în mișcare, altfel poate apărea reculul. Dacă discul se blochează, căutați cauza și luați măsurile necesare pentru ca acest lucru să nu se mai repete.
- **Nu reporniți operația de tăiere în piesa de prelucrat.** Lăsați discul să ajungă la viteza maximă și pătrundeți din nou cu atenție în tăietură. Discul se poate gripa, poate urca sau poate provoca recul, dacă unealta electrică este repornită în piesa de prelucrat.
- **Sprijiniți panourile sau orice piesă de prelucrat de dimensiuni mari pentru a minimiza riscul de ciupire și recul al discului.** Piese de prelucrat mari au tendința să se lase sub propria greutate. Suporturile trebuie să fie plasate sub piesa de prelucrat, lângă linia de tăiere și lângă marginea piesei de prelucrat pe ambele părți ale roții.
- **Aveți grijă când efectuați o "tăiere îngropată" în pereți sau în alte zone fără vizibilitate.** Discul proeminent poate tăia conducte de gaz sau de apă, cabluri electrice sau obiecte care pot provoca un recul.

- **Nu încercați să executați operațiuni de tăiere curbata.** Dacă discul este strâns prea tare, se mărește sarcina acestuia și se mărește probabilitatea ca acesta să se deformeze sau să se oprească în timpul operației de tăiere, existând riscul de a se rupe sau de a se provoca lovituri de recul, ceea ce poate cauza răni grave.

#### AVERTIZĂRI SUPPLEMENTARE DE SIGURANȚĂ

- Prindeți piesa de lucru cu un dispozitiv de prindere. Piesele de lucru nefixate cu clemă pot cauza vătămare gravă și pagube.
- Poti fi cauzate, sau agravate vătămări prin folosirea prelungită a sculei. Atunci când folosiți o sculă pentru perioade prelungite, asigurați-vă că luați pauze regulate.
- Temperatura ambientală în timpul funcționării uneltei trebuie să fie cuprinsă între 0°C și 40°C.
- Temperatura ambientală în timpul depozitării uneltei trebuie să fie cuprinsă între 0°C și 40°C.
- Temperatura ambientală în timpul încărcării uneltei trebuie să fie cuprinsă între 10°C și 38°C.

#### AVERTISMENTE SUPPLEMENTARE PRIVIND SIGURANȚA LA UTILIZAREA BATERILOR

Pentru a reduce pericolul unui incendiu și evitarea rănilor sau deteriorarea produsului în urma unui scurtcircuit nu imersați scula, acumulatorul de schimb sau încărcătorul în lichide și asigurați-vă să nu pătrundă lichide în aparate și acumulatori. Lichidele corosive sau cu conductibilitate, precum apa sărată, anumite substanțe chimice și înalbitori sau produse ce conțin înalbitori, pot provoca un scurtcircuit.

- Temperatura ambientală în timpul utilizării bateriei trebuie să fie cuprinsă între 0°C și 40°C.
- Temperatura ambientală în timpul depozitării bateriei trebuie să fie cuprinsă între 0°C și 20°C.

#### TRANSPORTAREA ACUMULATORILOR PE LITIU

Transportați bateria în conformitate cu prevederile și reglementările locale și naționale.

Urmați toate cerințele speciale de pe ambalaj și etichete atunci când transportați acumulatorii la o parte terță. Asigurați-vă că în timpul transportului nicio baterie nu vine în contact cu alte baterii sau materiale conducătoare de electricitate prin protejarea bornelor expuse cu bandă sau capace izolatoare non conducătoare de electricitate. Nu transportați acumulatori ce sunt crăpați sau au scurgeri. Verificați cu compania de transport pentru sfaturi ulterioare.

#### CUNOAȘTEȚI-VĂ PRODUSUL

*Salt la pagina nr. 109.*

1. Port acumulator
2. Mâner, suprafață de contact izolată
3. Buton de blocare a axului
4. Mâner lateral
5. Manetă de blocare a apărătorii
6. Protecție pentru rindeluire fără scule
7. Comutator paletă
8. Comutator blocare
9. Flanșă exterioară
10. Disc de polizare
11. Flanșă
12. Ax de antrenare
13. Manualul operatorului

14. Disc de tăiere
15. Accesoriu pentru apărătoarea de tăiere fără scule
16. Pachet de baterii
17. Încărcător

#### ÎNȚREȚINEREA

- Produsul nu trebuie conectat niciodată la priză atunci când asamblați părțile, faceți reglaje, curățați sau faceți întreținerea, sau atunci când produsul nu este folosit. Deconectarea produsului de la alimentare va preveni pornirea accidentală, care poate provoca răni grave.
- La efectuarea service-ului, folosiți doar piese de schimb, accesorii și atașamente originale ale producătorului. Utilizarea altor piese poate crea situații periculoase sau poate conduce la deteriorarea produsului.
- Nu lăsați niciun moment ca lichidele de frână, produsele pe bază de petrol, uleiurile penetrante etc să intre în contact cu părțile din plastic. Aceste produse chimice conțin substanțe care pot distruge, fragiliza sau deteriora plasticul.
- Evitați utilizarea solvenților atunci când curățați piesele din plastic. Majoritatea materialelor plastice pot să fie deteriorate prin utilizarea unor solvenți vânduți în comerț. Utilizați o cârpă curată pentru a curăța murdăriile, praful etc.
- Pentru o mai mare siguranță și încredere, toate reparațiile trebuie să fie îndeplinite la un centru service autorizat.

#### SIMBOLURI



Alertă de siguranță

n

Turație/viteză nominală

V

Volți



Curent continuu

min<sup>-1</sup>

Număr de rotații sau de mișcări pe minut



Vă rugăm citiți instrucțiunile cu atenție înainte de pornirea aparatului.



Purtați echipamente de protecție a auzului



Purtați echipamente de protecție a vederii



Purtați mască de praf.



Purtați mănuși de protecție



Purtați încălțăminte de protecție antiderapantă.



Nu folosiți disc de șlefuire ciobit, crăpat sau defect



A nu se folosi pentru tăiere



Folosiți o apărătoare



Metal



A nu se poliza la umed Utilizarea apei sau a lichidelor de răcire poate cauza electrocutări sau șocuri electrice.



A nu se utiliza pentru șlefuire de suprafețe.



Marcajul de conformitate europeană



Marcajul britanic de conformitate



Marcajul ucrainian de conformitate



Marcaj de conformitate EurAsian



Deșeurile produselor electrice nu trebuie să fie înălțurate împreună cu deșeurile casnice. Vă rugăm reciclați acolo unde există facilități. Verificați la autoritatea dvs locală sau la vânzător pentru sfaturi privind reciclarea.

## SIMBOLURILE DIN MANUAL



Notă



Piese sau accesorii vândute separat



Piedică



Deblocare



Opriiți produsul



Fără forță



Cu forță

Izstrādājot šo leņķa slīpmašīnu, īpaša uzmanība veltīta drošībai, veikspējai un uzticamībai.

## PAREDZĒTĀ LIETOŠANA

Leņķa slīpmašīnu drīkst lietot tikai pieaugušie, kuri ir izlasījuši un sapratuši šīs rokasgrāmatas norādījumus un brīdinājumus un kuri spēj atbildēt par savu rīcību.

Produkts ir radīts metālu un akmens materiālu slīpēšanai un griešanai. Leņķa slīpmašīnai drīkst uzstādīt vienīgi piemērotus slīpēšanas diskus saskaņā ar rokasgrāmatas ierīces specifikāciju tabulā aprakstīto.

Produkts ir paredzēts tikai sausai lietošanai. Neizmantojiet produktu slapjajai apstrādei.

Produkts ir paredzēts lietošanai, turot rokās. Produkts nav paredzēts uzstādīšanai uz darba galda.

Produkts paredzēts tikai patērētāju lietošanai.

Neizmantojiet ierīci citiem mērķiem, bet tikai tam paredzētajiem. Izmantojot elektroinstrumentu darbībās, kas nav paredzētas, var rasties bīstama situācija.

**⚠ BRĪDINĀJUMS!** Izlasiet visus drošības brīdinājumus, instrukcijas, specifikācijas un apskatiet attēlus šī elektroinstrumenta dokumentācijā. Visu uzskaitīto instrukciju neievērošana ir bīstama; tā var izraisīt elektrisko triecienu, aizdegšanos un/vai nopietnas traumas.

Visus brīdinājumus un norādījumus saglabājiet turpmākām uziņām.

## LEŅĶA SLĪPMAŠĪNAS DROŠĪBAS PASĀKUMI

### DROŠĪBAS BRĪDINĀJUMI, KAS KOPĪGI SLĪPĒŠANAI UN GRIEŠANAI AR ABRAZĪVAJEM DISKIEM.

- Šis elektroinstrumenta ir paredzēts, lai darbotos kā slīpmašīna, leņķa slīpmašīna vai griešanas rīks. Izlasiet visus drošības brīdinājumus, instrukcijas, specifikācijas un apskatiet attēlus šī elektroinstrumenta dokumentācijā. Visu uzskaitīto instrukciju neievērošana ir bīstama; tā var izraisīt elektrisko triecienu, aizdegšanos un/vai nopietnas traumas.
- Tādas darbības, piemēram, apstrāde ar smilšpapīru vai drāšu birsti, pulēšana, caurumu griešana nav paredzētas veikšanai ar šo elektroinstrumentu. Veikt darbus, kuriem šis elektroinstrumenta nav paredzēts, ir bīstami, un tas var izraisīt traumas.
- Nepārveidojiet šo elektroinstrumentu, lai lietotu to veidā, kādam tas nav īpaši paredzēts un norādīts no instrumenta ražotāja puses. Šāda pārveidošana var izraisīt kontroles zaudēšanu un radīt smagus ievainojumus.
- Neizmantojiet aksesuārus, kurus instrumenta ražotājs nav īpaši veidojis un paredzējis lietošanai ar instrumentu. Tas, ka piederumu var piestiprināt elektroinstrumentam, nenozīmē, ka tā lietošana ir droša.
- Piederuma nominālajam ātrumam jābūt vismaz vienādam vai maksimālajam, kas norādīts uz elektroinstrumenta. Piederumi, kas kustās ātrāk par nominālo ātrumu, var salūzt un lidot uz visām pusēm.
- Piederuma ārējam diametram un biežumam jāatbilst elektroinstrumenta specifikācijām. Nepareiza izmēra griezēj-/slīpinstrumentus nevar atbilstoši nodrošināt un kontrolēt.

- **Papildaprīkojuma uzstādīšanas izmēri ir jāatbilst elektroinstrumenta aprīkojuma stiprinājuma izmēriem.** Darbinstrumenti, kas nav precīzi saderīgi ar elektroinstrumenta darbvārsta konstrukciju, nevienmērīgi griežas, pārmērīgi vibrē un var izraisīt instrumenta kontroles zaudēšanu.
- **Nelietojiet bojātus piederumus.** Pirms katras lietošanas reizes pārbaudiet griezēj- / slīpinstrumentu, piemēram, abrazīvos disku, vai tam nav atlūzu, plaisu, vai atbalstam nav plaisu vai pārlieka nodiluma, vai stieplu sukai nav vaļīgu vai salauztu sariņu. Ja elektroinstrumenta vai piederums nokrīt zemē, pārbaudiet, vai tas nav bojāts vai uzstādiet nebojātu piederumu. Pēc piederuma pārbaudes un uzstādīšanas nostājieties un nostādiat citus tuvumā esošos prom no rotējošā piederuma ass un vienu minūti darbiniet elektroinstrumentu ar maksimālo bezslodzes ātrumu. Bojāti piederumi šīs pārbaudes laikā parasti salūzīs.
- **Valkājiet individuālos aizsarglīdzekļus.** Atkarībā no pielietojuma valkājiet sejas aizsargu vai aizsargbrilles. Ja nepieciešams, valkājiet putekļu masku, dzirdes aizsargus, cimdus un darba priekšautu, kas var apturēt mazus abrazīvā materiāla vai sagataves fragmentus. Acu aizsarglīdzekļiem jābūt spējīgiem apturēt lidojošus gruzus, ko rada dažāds pielietojums. Putekļu maskai jāspēj filtrēt daļiņas, kuras rada attiecīgais pielietojums. Ilgstoša atrašanās ļoti intensīvā troksnī var izraisīt dzirdes traucējumus.
- **Tuvumā esošajām personām jāatrodas drošā attālumā no darba vietas.** Visiem, kas tuvojas darba zonai, jāvalkā individuālie aizsarglīdzekļi. Sagataves vai bojāta piederuma daļas var lidot un radīt traumas ārpus tiešās darba zonas.
- **Darbos, kuros griešanas piederums var saskarties ar slēptiem vadiem, turiet instrumentu tikai aiz izolētajām satveršanas virsmām.** Griezējinstrumenta saskare ar strāvu vadošajām vietām var padarīt arī atklātās metāla daļas vadošas un radīs operatoram elektrisko triecienu.
- **Nenolieciet elektroinstrumentu, līdz piederums nav pilnībā apstājies.** Rotējošais piederums var iekerties virsmā un radīt kontroles zudumu pār elektroinstrumentu.
- **Nedarbiniet elektroinstrumentu, nesot to sev blakus.** Nejauša saskare ar rotējošu griezēj-/ slīpinstrumentu var ieraut drēbes, pievelkot griezēj-/slīpinstrumenta pie jūsu ķermeņa.
- **Regulāri tīriet elektroinstrumenta ventilācijas atveres.** Motora ventilatorus ievilkus putekļus korpusā, un pārāk liela metāla pulvera koncentrācija var izraisīt elektrisko bīstamību.
- **Nelietojiet elektroinstrumentu uzliesmojošu materiālu tuvumā.** Dzirksteles var aizdedzināt šos materiālus.
- **Nelietojiet griezēj-/slīpinstrumentus, kam nepieciešami dzesēšanas šķidrums.** Ūdens vai cita šķidrā dzesēšanas līdzekļa lietošana var izraisīt elektrisko triecienu vai nāvi.

### Atsitiens un saistītie brīdinājumi

Atsitiens ir pēkšņa reakcija uz diska, atbalsta, sukas vai cita piederuma iespiešanu vai iekļīšanās. Iespiešana izraisa strauju rotējošā griezēj-/slīpinstrumenta bloķēšanos, kas var likt elektroinstrumentam atbrīvoties no kontroles un virzīties pretējā griezēj-/slīpinstrumenta rotācijas virzienam saskares punktā.

Piemēram, ja abrazīvais disks iekeras vai iekļējas materiālā, iespējams, diska mala var iespieties materiāla virsmā, izraisot diska izlēkšanu vai atsitieni. Disks var pārlekt uz priekšu vai prom no operatora atkarībā no diska rotācijas virziena iespēšanas vietā. Abrazīvie diski šādos apstākļos var arī salūzt.

Atsitieni rodas no elektroinstrumenta nepareizas lietošanas un/vai nepareizas darba procedūras vai apstākļiem; no tā var izvairīties, veicot pareizus drošības pasākumus:

- **Nodrošiniet stingru satvērienu ar abām rokām uz elektroinstrumenta un novietojiet ķermeni un rokas tā, lai varēti pretoties atsitienu spēkiem. Ja tāds ir, vienmēr izmantojiet papildu rokturi, lai palaišanas laikā nodrošinātu maksimālu kontroli pār atsitieni vai griezes reakciju.** Operators var kontrolēt griezes reakciju vai atsitienu spēkus, ja ir veikti atbilstošie drošības pasākumi.
- **Nenovietojiet rokas rotējošā griezē j - / slīpinstrumenta tuvumā.** Piederums var atsisties pāri jūsu rokai.
- **Nenovietojiet ķermeni tur, kur virzītos elektroinstrumenta atsitienu gadījumā.** Atsitieni virzīs instrumentu pretēji diska kustības virzienam iespēšanas punktā.
- **Esiet sevišķi uzmanīgs, kad strādājat pie stūriem, asām malām utt. Izvairieties no griezēj- / slīpinstrumenta lēkāšanas un iespēšanas.** Stūriem, asām malām vai lēkāšanai ir tendence iespiest rotējošo piederumu, kas var izraisīt kontroles zaudēšanu vai atsitieni.
- **Nepiestipriniet zāģa ķēdi, kokgriešanas asmeni, segmentētu dimanta ripu, kuras perifērā atstarpe pārsniedz 10 mm vai zāģa asmeni ar zobiem.** Šie griezējinstrumenti rada biežus atsitienus un kontroles zaudēšanu.

**Drošības brīdinājumi, kas īpaši paredzēti slīpēšanas un griešanas darbībām**

- **Izmantojiet tikai ripu veidus, kas norādīti Jūsu elektroinstrumentam un noteiktu aizsargu, kas paredzēts izvēlētajai ripai.** Diskus, kas nav paredzēti šim elektroinstrumentam, nevar pareizi vadīt, un to izmantošana nav droša.
- **Ripas ar ieliektu centru slīpēšanas virsmai jāatrodas zemāk par aizsargatloka plāksni.** Nepareizi uzstādīta ripa, kas izvirzīta cauri aizsargatloka plāksnei, nav pietiekami aizsargāta.
- **Aizsargam jābūt droši piestiprinātam elektroinstrumentam un novietotam maksimālai drošībai tā, lai pret operatoru būtu atklāta pēc iespējas mazāka diska daļa.** Aizsargs palīdz pasargāt lietotāju no nolūzušām diska daļām un nejaušas saskares ar disku un dzirkstelēm, kas var aizdedzināt apģērbu.
- **Ripas drīkst izmantot tikai paredzētajam pielietojumam. Piemēram, neslīpējiet ar griezējdiska sāniem.** Abrazīvie griezējdiski ir paredzēti papildu slīpēšanai; šiem diskkiem pielikts spēks no sāniem var tos salauzt.
- **Obligāti izmantojiet nebojātus disku atlokus ar pareizu izmēru un formu, kas piemērota attiecīgajam diskam.** Pareizi disku atloki atbalsta disku, samazinot diska salūšanas iespēju. Griezējdisku atloki var atšķīrties no slīpēšanas disku atlokiem.

- **Neizmantojiet nodilušus diskus no lielākiem elektroinstrumentiem.** Diskus, kas paredzēti lielākam elektroinstrumentam, nav piemēroti mazāka instrumenta lielākiem apgriezieniem un var saplīst.
- **Izmantojot divējāda pielietojuma ripas, vienmēr izmantojiet pareizu aizsargu, kas piemērots veicamajam darbam.** Neizmantojot pareizu aizsargu, iespējams, netiks nodrošināts vēlamais aizsardzības līmenis, kas var izraisīt smagus ievainojumus.

**Papildu drošības brīdinājumi, kas īpaši attiecināmi uz griešanas darbībām**

- **Neļaujiet griešanas diskam iestrēgt un nelietojiet pārmērīgu spēku. Nemēģiniet griezt pārmērīgi dziļi.** Pārslogojot disku, palielinās slodze un risks, ka disks var nokļūt vērpē vai tikt saliekts, kas var izraisīt atsitieni vai diska salūšanu.
- **Neatrodieties vienā līmenī ar griešanas disku vai aiz tā.** Kad disks griešanas punktā virzās prom no jūsu ķermeņa, iespējams, atsitieni var virzīt griešanās ratu un elektroinstrumentu tieši pret jums.
- **Iekeroties diskam, vai jebkāda cita iemesla pārtraucot griešanas darbību, izslēdziet instrumentu un turiet to nekustīgu, līdz disks pilnīgi apstājas. Nemēģiniet noņemt griezējdisku no griezuma, kamēr disks griežas, citādi varat saņemt atsitieni.** Izpētiet, kādi iemesli izraisa diska ķeršanos, un novērsiet tos.
- **Neatsāciet griešanu sagatavē. Ļaujiet diskam sasniegt pilnu ātrumu un uzmanīgi ievietojiet iegriezumā.** Diskus var iekļēties, novirzīties vai dot atsitieni, ja elektroinstrumenta tiek iedarbināts sagatavē.
- **Atbalstiet jebkuru lielizmēra sagatavi, lai samazinātu diska iespēšanas un atsitienu risku.** Lielām sagatavēm ir tendence liekties zem pašu svara. Atbalsti ir jānovieto zem sagataves, tuvu griešanas līnijai un tuvu sagataves malai abās diska pusēs.
- **Īpaši uzmanieties, veicot kabatas veida griezumus ēku sienās vai citās apslēptās vietās.** Izvirzījuma disks var griezt gāzes vai ūdens caurules, elektroinstalāciju, kas var radīt pretsitieni.
- **Nemēģiniet veikt figurālu griešanu.** Diska pārmērīga noslogošana palielina slodzi uz motoru un rada iespēju diskam liekties vai iesprūst griezumā, palielinot iespēju rasties atsitienam vai diska plīšanai, kas var radīt smagus ievainojumus.

#### PAPILDU DROŠĪBAS BRĪDINĀJUMI

- **Nostipriniet apstrādājamo objektu ar nostiprinājuma skavu.** Neiespīlētās sagataves var izraisīt nopietnas traumas un bojājumus.
- **Ilgstoša instrumenta lietošana var izraisīt traumas vai pasliktināt veselības stāvokli.** Ilgstoši lietojot jebkuru instrumentu, pārliecinieties, ka tiek veikti regulāri pārtraukumi.
- **Apkārtējās vides temperatūras diapazons instrumentam lietošanas laikā ir starp 0°C un 40°C.**
- **Apkārtējās vides temperatūras diapazons instrumenta uzglabāšanai ir starp 0°C un 40°C.**
- **Ieteicamais apkārtējās vides temperatūras diapazons lādēšanas sistēmai uzlādes laikā ir starp 10°C un 38°C.**

## PAPILDU AKUMULATORU BLOKA DROŠĪBAS BRĪDINĀJUMI

Lai novērstu īssavienojuma izraisītu aizdegšanās, savainojumu vai produkta bojājuma risku, neiegremdējiet instrumentu, maināmo akumulatoru vai uzlādes ierīci šķidrums un rūpējieties par to, lai ierīcēs un akumulatoros neiekļūtu šķidrums. Koroziju izraisoši vai vadītspējīgi šķidrums, piemēram, sālsūdens, noteiktas ķīmikālijas, balinātāji vai produkti, kas satur balinātājus, var izraisīt īssavienojumu.

- Apkārtējās vides temperatūras diapazons akumulatoram lietošanas laikā ir starp 0°C un 40°C.
- Apkārtējās vides temperatūras diapazons akumulatora uzglabāšanai ir starp 0°C un 20°C.

## LITIJA AKUMULATORU PĀRVADĀŠANA

Pārvadājiet akumulatoru saskaņā ar vietējiem un valsts nosacījumiem un noteikumiem.

Ja akumulatoru pārvadāšanu veic trešā puse, ievērojiet visas īpašās prasības par iepakojšanu un marķēšanu. Transportējot nodrošiniet, lai akumulatori nesaskaras ar citiem akumulatoriem vai vadošiem materiāliem, atsegtos savienotājus aizsargājot ar izolējošiem, nevadošiem vāciņiem vai lenti. Nepārvietojiet akumulatorus, kas ir iekļūti vai ar noplūdi. Konsultējieties ar pārsūtīšanas uzņēmumu.

## IERĪCES IEPAZĪŠANA

Skatīt 109. lpp.

1. Akumulatora savienojuma ligzda
2. Rokturis, izolēta satveršanas virsma
3. Vārpstas bloķēšanas poga
4. Sānu rokturis
5. Aizsarga sviras bloķētājs
6. Bes instrumentiem uzstādāms slīpēšanas aizsargs
7. Paliktņa slēdzis
8. Bloķēšanas slēdzis
9. Fiksācijas uzgrieznis
10. Slīpriņa
11. Diska atloks
12. Rotējošā ass
13. Lietotāja rokasgrāmata
14. Griešanas disks
15. Bez instrumentiem uzliekama griešanas aizsarga uzlika
16. Akumulators
17. Lādētājs

## APKOPE

- Produktu nekad nedrīkst pievienot barošanas padevei, veicot daļu montāžu, regulēšanu, tīrīšanu vai apkopi, kā arī laikā, kad tas netiek izmantots. Elektrības vada atvienošana no sprieguma padeves novērsīs nejaūšu ieslēgšanu, kas var izraisīt smagus ievainojumus.
- Saņemot, izmantojiet tikai oriģinālas ražotāja rezerves daļas, piederumus un pielikumus. Jebkādi citu detaļu izmantošana var izraisīt bīstamību vai produkta bojājumus.
- Nekādā gadījumā plastmasas daļām neļaujiet nonākt saskarē ar bremžu šķidrums, benzīnu, naftas izstrādājumiem, eļļām ar paaugstinātu mitrināšanas spēju utt. Ķīmikālijas var sabojāt, novājināt vai iznīcināt plastmasu, kas var izraisīt nopietnas personīgās traumas.

- Tīrot plastmasas daļas, izvairieties no šķīdinātāju lietošanas. Vairums plastmasu ir jutīgas pret dažāda veida pārdošanā esošajiem šķīdinātājiem un to izmantošanas rezultātā var tikt bojātas. Izmantojiet tīru drānu, lai notīrītu netīrumus, oglekļa putekļus utt.
- Lielākas drošības un uzticamības labad visi remontu jāveic pilnvarotā apkopes centrā.

## APZĪMĒJUMI



Drošības brīdinājums

n

Nominālais ātrums

V

Volti



Līdzstrāva

min<sup>-1</sup>

Apgriezieni minūtē



Pirms iedarbināt mašīnu, lūdzu rūpīgi izlasiet instrukcijas.



Lietojiet dzirdes aizsargus



Valkājiet acu aizsarglīdzekļus



Valkājiet putekļu masku.



Valkājiet aizsargcimdus



Valkājiet neslīdošas drošības kurpes.



Neizmantojot saplīkušus, iekļūtušus un bojātus slīpēšanas diskus



Neizmantojot griešanai



Izmantojiet aizsargu



Metāls



Nav paredzēts mitrai slīpēšanai. Ūdens vai cita šķidra dzesēšanas līdzekļa lietošana var izraisīt elektrisko triecienu vai nāvi.



Neizmantojiet plaknes slīpēšanai.



Eiropas atbilstības zīme



Lielbritānijas atbilstības zīme



Ukrainas atbilstības zīme



EurAsian atbilstības marķējums



Izlietotie elektroprodukti nedrīkst tikt izmesti kopā ar mājāsaimniecības atkritumiem. Lūdzu, nododiet tos attiecīgajās atk ār totas izmantošanas vietās. Sazinieties ar savu vietējo varas pārstāvi vai izplatītāju, lai noskaidrotu, kur iespējama atkārtota pārstrāde.

## SIMBOLI ROKASGRĀMATĀ



Piezīme



Atsevišķi nopērkamās daļas vai piederumi



Bloķētājs



Atbloķēt



Apturiet iekārtu.



Bez spēka



Ar spēku

Projektuojant kamoinį šlifuoeklį, didžiausias prioritetas suteiktas saugai, eksploatacinėms savybėms ir patikimumui.

## NAUDOJIMO PASKIRTIS

Kampinis šlifuoeklis skirtas naudoti tik suaugusiems, kurie yra perskaite ir suprastę šiame vadove pateiktus nurodymus bei įspėjimus ir gali būti laikomi atsakingi už savo veiksmus.

Įrankis skirtas metalams ir atkmenims šlifuoti bei pjauti. Ant kampinio šlifuoeklio galima montuoti tik atitinkamus šlifavimo diskus, aprašytus šio vadovo gaminio specifikacijų skyriuje.

Šis įrankis skirtas tik sausojo pjovimo ar šlifavimo darbams. Nenaudokite šio įrankio drėgnojo pjovimo ar šlifavimo darbams.

Produktas sukurtas naudoti laikant rankose. Įrankio negalima montuoti ant darbatalio.

Įrenginys skirtas tik asmeniniam naudojimui namų ūkyje.

Gaminį galima naudoti tik pagal paskirtį. Naudokite elektrinį įrankį tik pagal tiesioginę paskirtį, kitaip sukelsite pavojingą situaciją.

**⚠ ĮSPĖJIMAS! Perskaitykite visus saugos įspėjimus, visas instrukcijas, paveikslėlius ir techninius reikalavimus, pateikiamus su šiuo elektriniu įrankiu.** Apačioje išdėstytų instrukcijų nesilaikymas gali sukelti elektros smūgį, gaisrą ir (ar) sunkius sužeidimus.

**Kad tinkamai naudotumėte įrankį, žr. visus perspėjimus ir nurodymus.**

## KAMPINIO ŠLIFUOKLIO ATSARGUMO PRIEMONĖS

**SAUGOS TAISYKLĖS VYKDANT GALANDIMO AR PJOVIMO DARBUS:**

- Šis elektrinis įrankis skirtas galandimo arba pjovimo įrankio funkcijoms vykdyti. **Perskaitykite visus saugos įspėjimus, visas instrukcijas, paveikslėlius ir techninius reikalavimus, pateikiamus su šiuo elektriniu įrankiu.** Apačioje išdėstytų instrukcijų nesilaikymas gali sukelti elektros smūgį, gaisrą ir (ar) sunkius sužeidimus.
- Šiuo elektriniu įrankiu negalima vykdyti šių darbų: šlifuoti, valyti vieliniu šepetėliu, poliuruoti arba pjauti skylių. Atliekant veiksmus, kuriems elektrinis įrankis nėra skirtas, galima sudaryti pavojų ir sukelti sunkius sužeidimus.
- Jokiais būdais nekeiskite šio elektrinio įrankio konstrukcijos – naudokite jį tik taip, kaip konkrečiai suskūrė ir nurodė įrankio gamintojas. Atlikę tokių pakeitimų, galite nesuvaldyti įrankio ir sunkiai susižaloti.
- Nenaudokite priedų, kurie nėra specialiai sukurti ir nurodyti įrankio gamintojo. Vien tik tai, kad priedą galima pritvirtinti prie Jūsų elektrinio įrankio, saugaus darbo neužtikrina.
- Priedo nustatytas greitis turi būti lygus bent didžiausiam greičiui, pažymėtam ant elektrinio įrankio. Priedai, kurie sukasi didesniu nei jų nustatytu greičiu, gali sulūžti, atsiskirti ir skrieti į šonus.
- Priedo išorinis skersmuo ir storis turi būti Jūsų įrankio nustatytos galios ribose. Neteisingo dydžio priedų atitinkamai apsaugoti ar suvaldyti neįmanoma.
- Priedo montavimo matmenys privalo atitikti elektrinio įrankio montavimo dalių matmenis. Dalys, kurios neatitinka elektrinio įrankio montavimo įrangos išsibalansuoja, pernelyg stipriai vibruoja ir įrankis gali

tapti nevaldomas.

- **Nenaudokite pažeistų priedų.** Prieš kiekvieną naudojimą priedą patikrinkite, ar diskai nėra nudažę ir įtrūkę, pagalbinis padelis įtrūkęs, detalės smarkiai nusidėvėjusios, metalinio šepetėlio vielutės atsilaisvinusios ar sutrūkusios. Elektrinį įrankį ar priedą numetus, būtina patikrinti, ar jie nepažeisti arba pakeisti priedą nepažeistu. Patikrinus ir pakeitus priedą, nuo besisukančio priedo plokštės būtina pasitraukti toliau bei neleisti žiūrovams artai jo stovėti. Po to elektrinį įrankį reikia įjungti ir leisti jam vieną minutę veikti didžiausiu greičiu. Šio patikrinimo metu, pažeisti priedai paprastai sulūžta.
- **Dėvėkite asmenines apsaugos priemones.** Priklausomai nuo darbo paskirties, naudokite veido kaukę, apsauginius didesnius akinius ar saugos akinius. Jei taikytina, dėvėkite kaukę nuo dulkių, ausų apsaugą, pirštines ir darbinę prijuostę, atlaikančią mažas, šlifavimo metu susidariusias ar nuo ruošinio daleles. Akių apsaugos priemonė privalo būti pajėgi sustabdyti daleles, kurios yra svaidomos vykdant darbus. Dulkių kaukę arba respiratorius privalo pajėgti sulaikyti daleles, kylančias vykdant tam tikrus darbus. Dėl neapsaugotų ausų nuo didelio triukšmo ilgesnį laiką, galite klausą prarasti.
- **Įsitikinkite, kad atstumas tarp įrankio ir pašalinių asmenų yra saugus.** Visi asmenys, esantys darbo zonoje, privalo dėvėti asmenines apsaugos priemones. Dalelės nuo ruošinio ar sulūžusio priedo gali skrieti į šalis ir jus sužeisti, jei stovite šalia apdirbamo ruošinio.
- **Elektrinį įrankį laikykite tik izoliavę sukibimo paviršius, kad darbo metu pjovimo įrankio priedas nesusiliestų su paslėptais laidais.** Pjovimo metu priedas, prisilietęs prie laido, prijungtu prie maitinimo šaltinio, gali aktyvuoti metalines elektrinio įrankio detales ir sukelti operatoriui elektros smūgį.
- **Niekada nedėkite įrankio žemyn, kol jo priedas visiškai nesustojo.** Besisukantis įrankio priedas gali pagriebti paviršį ir dėl to galite įrankio nesuvaldyti.
- **Elektrinį prietaisą nešdami šone, prieš tai jį išjunkite.** Besisukančiam įrankio priedui atsitiktinai prisilietus prie Jūsų, jis gali pagriebti drabužius ir priedas gali būti įtrauktas į Jūsų kūną.
- **Reguliariai valykite elektrinio įrankio oro ventiliacijos angeles.** Variklio ventiliatorius įsiurbia į korpuso vidų dulkes ir per didelės susikaupusių metalo dalelių kiekius gali kelti su elektra susijusius pavojus.
- **Nenaudokite elektrinio įrankio šalia degių medžiagų.** Kibirkštys gali šias medžiagas uždegti.
- **Nenaudokite tokių priedų, kuriems reikalingas aušinimo skystis.** Naudojant vandenį ar kitą aušinimo skystį galima sukelti elektros smūgį ar nuo elektros žūtį.

### Atatranka ir su ja susiję įspėjimai

Atgalinis smūgis yra staigi reakcija į sugnybtą ar užkabintą besisukantį diską, pagalbinį padelį, šepetėlį ar bet kokią kitą įrankio priedą. Sugnybus ar užkabinus, besisukantis priedas greitai prigęsta, o dėl to nevaldomas įrankis atšoksta priešinga įrankio priedui sukimosi kryptimi sukibimo vietoje.

Pavyzdžiui, jei abrazyvinį diską sugnybia ar užkabina ruošinys, tas disko kraštas, kuris prisiliečia prie sugnybimo taško, gali įlįsti į medžiagos paviršius, ir dėl to diskas išlenda



ar iššoksta atgal. Diskas gali iššokti link operatoriaus arba nuo jo, priklausomai nuo sugnybimo taško disko sukimosi krypties. Tokiais atvejais, abrazyviniai diskai gali taip pat sulūžti.

Atatranka yra netinkamo naudojimo elektrinio įrankio ir (ar) klaidingo darbo proceso ar sąlygų rezultatas. Jos galima išvengti laikantis atitinkamų žemiau išdėstytų apsaugos priemonių.

- **Laikykite tvirtai suėmę elektrinį įrankį abiem rankomis; kūno ir rankų padėtis privalo būti stabili, kad galėtumėte atlaikyti atatrankos jėgas. Visada naudokite pagalbinę rankeną (jei ji pridedama), kad atgalinį smūgį ar sukimo momentą užvedimo metu galėtumėte geriausiai suvaldyti.** Jei operatorius laikosi tinkamų atsargumų priemonių, jis sūkio reakcijos ir atgalinio smūgio jėgas gali suvaldyti.
- **Rankų niekada nedėkite šalia besisukančio įrankio priedo.** Priedas gali atšokti atgal į Jūsų ranką.
- **Nestovėkite tokioje zonoje, į kurią elektrinis įrankis atgalinio smūgio metu būtų nusviestas.** Atgalinio smūgio metu po užkabinimo įrankis nustumiamas kryptimi, priešinga disko sukimuisi.
- **Apdirbdami kampus, smailius kraštus ir t. t., būkite ypač atsargūs. Stenkitės priedo neužkabinti ir neatlikti tokių veiksmų, kad priedas šokinėtų.** Kampai, smailius kraštai ar šokinėjimas dažnai užkabina besisukančią įrankio priedą, ir dėl to įrankis nesuvaldomas ar įvyksta atgalinis smūgis.
- **Netvirtinkite pjūklo grandinės, medžio drožinėjimo geležtės, segmentinio deimantinio ratuko, kurio periferinis tarpas didesnis nei 10 mm taip pat nemontuokite dantytų pjūklo ašmenų.** Tokios geležtės dažnai sukelia atgalinį smūgį ar dėl jų įrankis nesuvaldomas.

#### Saugos taisyklės vykdant šlifavimo ir pjovimo darbus

- **Naudokite tik tokių tipų diskus, kurie yra nurodyti šiam elektriniam įrankiui, ir specialiai pasirinktam diskui sukurtą apsauginį gaubtą.** Diskų, kuriems elektrinis įrankis nėra specialiai pritaikytas, negalima tinkamai apsaugoti, todėl jie nėra saugūs naudoti.
- **Centre nuspaustų ratukų šlifavimo paviršius turi būti montuojamas po apsauginio įtaiso krašto plokštuma.** Netinkamai uždėto ratuko, išsikišančio per apsauginio įtaiso krašto plokštumą, negalima tinkamai apsaugoti.
- **Apsauginį gaubtą būtina tvirtai pritvirtinti prie elektrinio įrankio ir nustatyti saugiausioje padėtyje taip, kad būtų neuždengta tik mažiausia disko dalis prie operatoriaus.** Apsauginis gaubtas apsaugo operatorių nuo atskilusių nuo disko dalelių ir atsitiktinio prisilietimo prie disko ir kibirkščių, kurios gali uždegti drabužius.
- **Diskus privaloma naudoti pagal paskirtį, tik nurodytiems darbams. Pavyzdžiui, nešlifukite nupjovimo disko šonu.** Abrazyviniai nupjovimo diskai yra skirti periferiniam šlifavimui, dėl šiuos diskus veikiančių šoninių jėgų, jie gali sulūžti.
- **Visada naudokite nepažeistas diskų junges, teisingo dydžio ir formos Jūsų pasirinktam diskui.** Tinkamos diskų jungės atremia diską, dėl to sumažėja disko sulūžimo tikimybė. Nupjovimo diskų jungės gali skirtis nuo šlifavimo diskų jungių.
- **Nenaudokite nusidėvėjusių diskų nuo didesnių**

**elektrinių įrankių.** Diskas, skirtas didesniam elektriniam įrankiui, nėra tinkamas didesnio greičio mažesniai įrankiui ir gali sulūžti.

- **Naudodami dvigubos paskirties diskus, visada naudokite tinkamą, atliekamam darbui skirtą apsauginį gaubtą.** Nenaudojant tinkamo apsauginio gaubto, nebus užtikrintas reikiamas apsaugos lygis, dėl to galima sunkiai susižaloti.

#### Papildomos saugos taisyklės vykdant šlifavimo ir pjovimo darbus

- **Nedirbkite taip, kad nupjovimo diskas užsikirstų arba įrankio per stipriai nespauškite žemyn. Nebandykite pjauti per daug giliai.** Naudojant per didelę jėgą apkrova diskui padidėja, taip pat pjaunant diskas greičiau gali sulinkti, užsikirsti ar sulūžti, ar įvykti atatranka.
- **Nestovėkite vienoje linijoje su besisukančiu disku ar už jo.** Jei darbo metu diskas sukasi nuo kūno kryptimi, gali įvykti atatranka, kuri gali nusviesti besisukančią diską ir visą įrankį tiesiai į Jus.
- **Diskui užstrigus arba, kai pjovimas dėl kitų priežasčių nutrūksta, išjunkite elektrinį įrankį ir nelieskite jo, kol diskas visiškai nenustos sukis.** Diskui sukantis niekada nebandykite nupjovimo disko nuimti, nes sukelsite atatranką. Nustatykite disko kirtimosi priežastis ir imkitės tinkamų veiksmų joms pašalinti.
- **Pjovimo metu įrankiui esant ruošinyje, įrankio iš naujo neužveskite. Leiskite diskui išvystyti visą greitį ir jį iš naujo atsargiai įveskite į pjovą.** Jei elektrinį įrankį iš naujo užvesite diskui esant ruošinyje, diskas gali užkliūti, pasislinkti, ar atšokti atgal.
- **Dideles plokštes ar kitus labai didelius ruošinius paremkite, kad išvengtumėte disko suspaudimo ir atatrankos.** Dėl savo svorio dideli ruošiniai paprastai įlinksta. Atramas būtina padėti iš abiejų disko pusių po ruošiniu, šalia pjovimo linijos bei ruošinio kraštų.
- **Atlikdami vidinį pjovimą esančiose sienose ar kitose nematomose srityse, būkite ypač atsargūs.** Atsikišęs diskas gali nupjauti dujų ar vandens vamzdžius, elektros laidus ar objektus, kurie gali sukelti atatranką.
- **Nebandykite pjauti lenktų profilių.** Per smarkiai spaudžiant diską, padidėja apkrova ir didėja tikimybė, kad diskas persisuks arba užstrigs pjūvyje, dėl to gali kilti atatranka arba gali sukilti diskas, o tai gali sukelti sunkių sužalojimų.

#### PAPILDOMI SAUGOS PERSPĖJIMAI

- **Suspauškite ruošinį spaustuviu.** Neprispausti ruošiniai gali pajudėti ir sukelti sunkių traumų ar apgadinti vietą, prie kurios yra tvirtinami.
- **Ilgai naudojant įrankį, galima susižaloti arba pakenkti sveikatai.** Ilgiau naudojant įrankius, reikia reguliariai daryti pertraukas.
- **Įrankio darbinės aplinkos temperatūros diapazonas nuo 0°C iki 40°C.**
- **Įrankio sandėliavimo aplinkos temperatūros diapazonas nuo 0°C iki 40°C.**
- **Rekomenduojamas įkrovimo sistemų darbinės aplinkos temperatūros diapazonas nuo 10°C iki 38°C.**

## PAPILDOMI AKUMULIATORIAUS SAUGOS ĮSPĖJIMAI

Siekdami išvengti trumpojo jungimo sukeltą pavojų, sužalojimų arba produkto pažeidimų, neikiškite įrankio, keičiamo akumulatoriaus arba įkroviklio į skysčius ir pasirūpinkite, kad į prietaisus arba akumulatorius nepatektų jokių skysčių. Koroziją sukeliantys arba laidūs skysčiai, pvz., sūrus vanduo, tam tikri chemikalai ir balikliai arba produktai, kurių sudėtyje yra baliklių, gali sukelti trumpąjį jungimą.

- Baterijos darbinės aplinkos temperatūros diapazonas nuo 0°C iki 40°C.
- Baterijos sandėliavimo aplinkos temperatūros diapazonas nuo 0°C iki 20°C.

## LIČIO BATERIJŲ GABENIMAS

Gabenkite bateriją pagal įmonės ir valstybinius reikalavimus ir taisykles.

Gabendama baterijas, trečioji šalis privalo vadovautis ant pakuotės ar etikečių nurodytais specialiaisiais reikalavimais. Pasirūpinkite, kad gabenant baterijos nesusiliestų su kitomis baterijomis ar laidžiomis medžiagomis: ant jungiamųjų elementų uždėkite izoliuojančius, nelaidžius apsauginius dangtelius arba šiuos elementus apvyniokite juosta. Negabenkite įtrūkusių ar pratekančių baterijų. Išsamesnio patarimo kreipkitės į gabentojo įmonę.

## GERAI IŠMANYKITE APIE GAMINĮ

*Žiūrėti 109 psl.*

1. Baterijos gnybtas
2. Rankena, izoliuotu paviršiumi
3. Ašies užrakinimo mygtukas
4. Šoninė rankena
5. Apsauginio įtaiso sverto blokavimo sistema
6. Be raktų montuojamas šlifavimo disko apsauginis gaubtas
7. Jungiklis
8. Fiksatorius
9. Suspaudimo veržlė
10. Šlifavimo diskas
11. Disko antbriaunis
12. Veleno ašis
13. Naudojimo instrukcija
14. Pjovimo diskas
15. Be raktų montuojamas pjovimo disko apsauginis gaubtas
16. Baterijos paketas
17. Įkroviklis

## PRIEŽIŪRA

- Perforatoriaus joku būdu negalima jungti į maitinimo šaltinį montuojant dalis, reguliuojant, valant, atliekant priežiūros darbus ar jo nenaudojant. Atjungę įrenginį nuo elektros tinklo išvengsite netyčinio paleidimo, kuris gali tapti sunkaus susižalojimo priežastimi.
- Atlikdami techninę priežiūrą, naudokite tik originalias gamintojo atsargines dalis, priedus ir įtaisus. Kitų detalių naudojimas gali sukelti pavojų ar sugadinti įrankį.
- Stabdžių skysčiai, gazolinas ir benzino produktai, skvarbios alyvos ir pan. joku būdu negali patekti ant plastiko dalių. Juose yra chemikalų, kurie gali sugadinti, pažeisti arba susilpninti plastiką.
- Valydami plastikinės detales, nenaudokite tirpiklių.

Daugelis plastikų jautrūs įvairių tipų komerciniams tirpikliams ir juos naudojant galima pažeisti plastikinės detales. Valydami purvą, anglies dulkes ir kt. naudokite švarią šluostę.

- Kad būtų saugiau ir patikimiau, visus remonto darbus turi atlikti įgaliotasis techninio aptarnavimo centras.

## ŽENKLAI



Saugos perspėjimas

n

Nominalus greitis

V

Volta



Nuolatinė srovė

min<sup>-1</sup>

Apsukos ar judėjimas per minutę



Atidžiai perskaitykite instrukcijas prieš pradėdami naudoti mechanizmą.



Dėvėkite klausos apsaugos priemones



Dėvėkite akių apsaugos priemones



Dėvėkite kaukę nuo dulkių.



Mūvėkite apsaugines rankų pirštines



Avėkite apsauginius batus neslidžiais padais.



Nenaudokite nuskilusio, įskilusio ar pažeisto šlifavimo disko



Nenaudokite pjovimui



Naudokite apsaugą



Metalas



Neskirtas šlifavimui šlapiuoju būdu. Naudojant vandenį ar kitą aušinimo skystį galima sukelti elektros smūgį ar nuo elektros žūtį.



Nenaudokite paviršiams šlifuoti.



Europos atitikties ženklas



Didžiosios Britanijos atitikties ženklas



Ukrainos atitikties ženklas



„EurAsian“ atitikties ženklas



Elektrinių produktų atliekos neturi būti metamos kartu su namų ūkio atliekomis. Prašome perdirbkite jas ten, kur yra tokios perdirbimo bazės. Dėl perdirbimo patarimo kreipkitės į savo vietinę savivaldybę ar pardavėją.

## SIMBOLIAI VADOVE



Pastaba



Detalės arba priedai yra parduodami atskirai



Blokėtąjs



Atrakinti



Sustabdykite prietaisą.



Nenaudojant jėgos



Naudojant jėgą

Ketaslõikuri konstrueerimisel on peaeesmärgiks olnud toote ohutus, tootlikkus ja töökindlus.

## OTSTARBEKOHANE KASUTAMINE

Ketaslõikur on ette nähtud kasutamiseks vaid täiskasvanud töötaja poolt, kes on selle kasutusjuhendi juhised ja hoiatused läbi lugenud ja mõistab vastutust nende täitmise eest.

Toode on mõeldud metalli ja kivimaterjali lihvimiseks ja lõikamiseks. Ketaslõikurile võib kinnitada ainult seadme kasutusjuhendi tehniliste andmete jaotises mainitud lihvkettaid.

Toode on mõeldud üksnes kuivpindade töötlemiseks. Ärge kasutage toodet märgtöötlemiseks.

Kasutamise ajal hoitakse toodet käes. Toodet ei tohi kasutada tööpingile kinnitatuna.

Toode on mõeldud üksnes tavatarbijatele.

Ärge kasutage seadet ühelgi muul viisil kui mainitud sihtotstarbeks. Tööoperatsiooniks mitte ettenähtud elektritööriista kasutamine võib tekitada ohtliku olukorra.

**⚠ HOIATUS! Lugege läbi kõik mehaanilise tööriista kohta esitatud ohuhoiatused ning tutvuge tööriista jooniste ja tehniliste andmetega.** Allpool esitatud hoiatuste ja juhiste eiramise puhul on oht saada elektrilööki või raskeid kehavigastusi ning/või tekitada tulekahju.

**Hoidke kõik hoiatused ja juhised edaspidiseks juhindumiseks alles.**

## ETTEVAATUSABINÕUD NURKLIHVIAJA KASUTAMISEL

**ÜHISED OHUTUSJUHISED LIHVIMIS- VÕI LÕIKAMISTÖÖDEKS:**

- See mootortööriist toimib kui lihviija või lõikamisriist. Lugege läbi kõik mehaanilise tööriista kohta esitatud ohuhoiatused ning tutvuge tööriista jooniste ja tehniliste andmetega. Allpool esitatud hoiatuste ja juhiste eiramise puhul on oht saada elektrilööki või raskeid kehavigastusi ning/või tekitada tulekahju.
- Selle tööriistaga ei saa teha järgmisi toiminguid: abrasiivpoleerimine, traatharjamine, poleerimine või augustamine. Operatsioonid, milleks tööriist ei ole ette nähtud, võivad luua ohtuolukorra ja põhjustada kehavigastusi
- Ärge tehke tööriista juures mingeid muudatusi, et seda kasutada viisil, mis ei ole tootja poolt spetsiaalselt ette nähtud ega soovitatud. Sellised muudatused võivad põhjustada tööriista üle kontrolli kaotamist, mis võib lõppeda tõsiste kehavigastustega.
- Ärge kasutage tarvikuid, mis ei ole tööriista tootja poolt selleks spetsiaalselt mõeldud ega soovitatud. Asjaolu, et tarvikut on võimalik mehaanilisele tööriistale kinnitada, ei taga selle tarvikuga töötamisel ohutust.
- Tarviku lubatud nimikiirus peab olema vähemalt võrdne mehaanilisele tööriistale märgitud maksimaalse kiirusega. Tarvikud, mis ületavad nende ettenähtud kiiruse, võivad puruneda ja tükideks lennata.
- Kasutatava tarviku välisläbimõõt ja paksus peab vastama teie tööriista nimiaandmetele. Valedel mõõtetega tarvikuid ei ole võimalik nõuetekohaselt turvata ja kontrolli all hoida.

■ **Tarvikute mõõtmed peavad sobima tööriista kinnitusvahendite mõõtetega.** Tarvik, mis ei sobi mehaanilise tööriista kinnitusmõõtetega kokku, läheb tasakaalust välja, hakkab tugevasti vibreerima ja võib kontrolli alt väljuda.

■ **Ärge kasutage vigastatud tarvikuid.** Enne iga kasutamist kontrollige tarvikud, näiteks abrasiivkettad üle kildumisele ja pragunemisele, tugikettad pragunemisele ja kulumisele, traatharjad lahtistele ja murdunud harjastele. Kui mehaaniline tööriist või tööriist on maha kukkunud, siis vaadake tööriista vigastused üle või asendage uue tarvikuga. Pärast tarviku ülevaatamist ja paigaldamist hoidke ennast ning kõrvalseisjad pöörleva tarviku pöörlemistasapinnast eemal ja käitage tööriista ühe minuti jooksul maksimaalsel pöörlemiskiirusel ilma koormuseta. Vigastatud tarvik puruneb selle aja jooksul tavaliselt tükideks.

■ **Kandke isikukaitsevahendeid.** Olenevalt töö iseloomust kandke näovisiiri, kaitsemaski või kaitseprille. Vajaduse korral kandke tolumaski, kuulmiskaitseid, kaitsekindaid ja kaitsepõlle, mis kaitsevad teid abrasiivkettast või toorikut lähtuvate osakeste eest. Silmakaitset peavad suutma peatada eri tööde juures tekkiva lendava prahi. Tolmumask või respiraator peab suutma filtreerida töö käigus tekkivaid osakesi. Pikaajaline viibimine kõrge müratasemega piirkonnas võib põhjustada kuulmishäireid.

■ **Hoidke kõrvalised isikud tööpiirkonnast ohutal kaugusel.** Iga tööpiirkonda siseneja peab kandma isikukaitsevahendeid. Tooriku töötlemisjäätmed või purunenud tarvikud võivad välja lennata ja põhjustada kehavigastusi ka väljapool vahetut tööpiirkonda.

■ **Töötamisel kohtades, kus lõikeriist võib kokku puutuda varjatud elektrijuhtmetega, hoidke tööriista kinni ainult isoleeritud käepidemetest.** Kui kinnitusdetail või puur satub kontakti pingele all olevate juhtmetega, jäävad tööriista isoleerimata metallosad pingele alla ja kasutaja võib saada elektrilöögi.

■ **Ärge pange tööriista enne maha, kui tarvik on täielikult peatunud.** Pöörlev tarvik võib pinnaga haarduda ja selle tagajärjel võib tööriist väljuda teie kontrolli alt.

■ **Ärge käitage tööriista siis, kui te seda küljel hoiate.** Juhuslik kontakt pöörleva tarvikuga võib põhjustada riietesse kinnijäämise ja selle tulemusena võib tarvik tungida teie kehasse.

■ **Puhastage regulaarselt tööriista ventilatsioonipilusid.** Mootori ventiilaator tõmbab tolmu korpusesse ja metalliosakesi sisaldava tolmu kogunemine põhjustab elektrivooluga seotud ohtusid.

■ **Ärge kasutage tööriista süttivate materjalide läheduses.** Sädemed võivad need materjalid süüdata. Sädemed võivad need materjalid süüdata.

■ **Ärge kasutage tarvikuid, mis nõuavad jahutusvedelike kasutamist.** Kasutades vett või muud vedelikku jahutusvedelikud võib põhjustada elektrilöögi või šokki.

### Tagasilöökk ja sellega seotud hoiatused

Tagasilöökk on ootamatu reaktsioon, mis järgneb pöörleva ketta, tugiketta, terasharja või muu tarviku kinnijäämisele või haardumisele. Kinniilumine või haardumine põhjustab pöörleva tarviku kiire peatumise, mis omakorda põhjustab kinnijäämise punktiis vastassuunaliste kontrollimatute jõudude mõjumise tarviku pöörlemisele vastassuunas.

Näiteks juhul, kui abrasiivketas on toorikuga haardunud või sellesse kinni jäänud, võib ketta sisenev serv kinnijäämise punktis materjali pinna sisse kaevuda ja põhjustada ketta väljalikumise või tagasilöögi. Ketas võib hüpata operaatori suunas või temast eemale, sõltuvalt ketta liikumissuunast kinnijäämise punktis. Abrasiivkettad võivad selliste tingimuste korral puruneda.

Tagasilöök on tööriista väära kasutamise, ebaõigete töövõtete või tööks mittevastavate töötingimuste tulemus ja seda saab vältida allpool esitatud ettevaatusabinõude rakendamisega.

- **Hoidke tööriista kahe käega tugevasti kinni ning valige keha ja käte asend, mis suudab tagasilöögi jõuga toime tulla. Kasutage alati kompleksis olevat lisakäepidet, et hoida tagasilööki või puutereaktsioonist tingitud reaktsiooni kontrolli all.** Operaatori on võimalik puutereaktsioone ja tagasilöögist tekkivaid jõudusid hallata, kui selleks vastavaid meetmeid võtta.
- **Ärge hoidke mingil juhul oma kätt pöörleva tarviku läheduses.** Tarvik võib tagasilöögiga tabada teie kätt.
- **Ärge olge oma kehaga seal, kuhu tööriist võib tagasilöögi ajal liikuda.** Tagasilöök paiskab kinnijäämise kohas tööriista vastuspidsisesse suunda ketta pöörlemisele.
- **Olge eriti ettevaatlik töötamisel nurkades, teravatel servadel jne. Vältige tarviku pörkimist ja kinnijäämist.** Nurkades ja teravatel servadel või pörkimisel on kalduvus pöörlevat tarvikut kinni kiiluda ja põhjustada sellega kontrolli kadumist või tagasilööki.
- **Ärge kinnitage seadmele kettsaagi, freesid, hammastatud saeketast ega pilutatud teemantketast, mille pilude vahe on 10 mm.** Selliste ketaste kasutamisel ilmneb tihti tagasilööki ja kontrolli kadumist.

#### Ohutusjuhised lihvimiseks ja lõikamiseks

- **Kasutage üksnes teie tööriistale soovitatud kettatüüpe ja valitud kettale mõeldud kettakaitset.** Kasutamiseks mitteettenähtud kettaid ei saa kattega kaitsta ja need ei ole ohutud.
- **Keskkohtal surutud ketaste lihvimise tööpind peab olema paigutatud kaitsekatte serva tasapinnast allapoole.** Ketas, mis ulatub kaitsekatte serva tasapinnalt välja, ei ole piisavalt kaitstud.
- **Kaitsekate peab olema tööriistale ohutult kinnitatud ja paigutatud maksimaalse ohutuse saavutamiseks nii, et võimalikult väike osa kettast on kasutaja suunas nähtav.** Kaitsekate aitab kaitsta kasutajat purunenud ketta tükide eest ja kokkupuutumisest ketta ning sademetega, mis võivad süüdata riided.
- **Kettaid tohib kasutada ainult selleks ettenähtud otstarbel.** Näiteks ärge lihvide mahalõikeketta küljega. Abrasiiv-mahalõikekettad on ette nähtud läbilõikamiseks; kui neile rakendada külj jõudusid, siis võivad need kiildudeks puruneda.
- **Kasutage valitud kettale mõõtmelt ja kujult sobivaid ning vigastamata kettaäärikuid.** Õigesti valitud äärikud toetavad ketast ja vähendavad sellega ketta purunemisohtu. Mahalõikeketta äärikud võivad erineda lihvketaste äärikutest.
- **Ärge kasutage suurtelt tööriistadest järelejäänud kulunud kettaid.** Suurte tööriistade kettad ei ole ette nähtud väikeste tööriistade suurte kiirustel, sest siis võivad need kettad puruneda.

- **Kui kasutate kaheks otstarbeks mõeldud ketast, kasutage alati antud töö jaoks mõeldud kettakaitset.** Vastasel juhul ei pruugi kettakaitse pakkuda vajalikku kaitset, mis võib põhjustada tõsisid vigastusi.

#### Täiendavad ohutusjuhised lõikamiseks

- **Ärge laske lõikekettal kinni jääda ega suruge sellele liigselt peale.** Ärge püüdke kasutada liiga suurt lõikesügavust. Liigse jõu avaldamine suurendab ketta koormust, väändumist või kinnijäämist lõiketees ning suurendab tagasilöögi või ketta purunemise tõenäosust.
- **Ärge seiske tööriista taga pöörleva ketta tasapinnas.** Kui ketas liigub oma tööpunkti kehast eemale, siis pöörleva ketta võimalik tagasilöök võib suunata tööriista otse teie suunas.
- **Kui ketas jääb kinni või katkestate lõike mingil põhjusel, lülitage tööriist välja ja hoidke seda liikumatult, kuni ketas täielikult peatub.** Ärge püüdke võtta lõikekettast lõikekohast välja ketta pöörlemise ajal, muidu võib ilmned tagasilöök. Uurige ketta kinnijäämise põhjust välja ja võtke meetmeid selle kõrvaldamiseks.
- **Ärge alustage lõikamisoperatsiooni uuesti siis, kui ketas on tooriku sees.** Laske kettal saavutada täiskiirus ja pange ketas uuesti lõikekohta. Kui lõikamist jätkata ilma, et ketas oleks välja võetud, siis võib see kinni jääda, üles tõusta või anda tagasilöögi.
- **Toetage lõigatavaid plaate ja suuremõtmelisi toorikuid, et minimeerida ketta kinnijäämise ning tagasilöögi ohtu.** Suurtel toorikutel on kalduvus oma raskuse all läbi vajuda. Toetage toorikuid allpool lõikejoone lähedal ja serva lähedal mõlemal pool lõikejoont.
- **Olge pesa lõikamise seinas sisse või varjatud kohtadesse ettevaatlik.** Väljuv ketas võib lõigata läbi gaasi- või veetoru, elektrijuhtmed või muud objektid ja need võivad põhjustada tagasilööki.
- **Ärge proovige lõigata kaarjalt.** See avaldab kettale liiga suurt koormust ja ketas võib lõikes painduda või sellesse kinni jääda ning see võib põhjustada tagasilöögi või ketta purunemise, ning tekitada tõsisid vigastusi.

#### TÄIENDAVID OHUTUSJUHISED

- Kinnitage toorik pitskruviga. Kinnitamata toorik võib põhjustada raske kehavigastuse või tekitada varakahju.
- Seadme pikaajalisel kasutamisel võite saada kehavigastusi või vigastused võivad süveneda. Seadme kasutamisel pika aja jooksul tuleb teha korralisi vaheaegsaid.
- Tööriista ümbritseva keskkonna temperatuur töö ajal jääb vahemikku 0°C–40°C.
- Tööriista ümbritseva keskkonna temperatuur säilituse ajal on vahemikku 0°C–40°C.
- Selle laadimissüsteemi soovitatav ümbritseva keskkonna temperatuur laadimise ajal on vahemikus 10°C–38°C.

#### AKU LISA OHUTUSJUHISED

Lühisest põhjustatud tuleohtu, vigastuste või toote kahjustuste vältimiseks ärge kastke tööriista, vahetusakut ega laadimisbaadi vedelikku ning jälgige, et vedelikke ei tungiks seadmesse ega akusse. Korrodeeruvad või elektrit juhtivad vedelikud, nagu soolvesi, teatud kemikaalid ja pleegitusained või pleegitusained sisaldavad tooted, võivad põhjustada lühist.

- Akut ümbritseva keskkonna temperatuur kasutamise ajal on vahemikus 0°C–40°C.
- Akut ümbritseva keskkonna temperatuur ladustamise ajal on vahemikus 0°C–20°C.

### LIITIUMAKUDE TEISALDAMINE

Akude transportimisel juhinduge kasutuskoahas kehtivatest ja riiklikest määrustest ja eeskirjadest.

Akude transportimisel allettevõtjate poolt järgige kõiki spetsiaalseid pakkimise ja tähistamise nõudeid. Veenduge, et akud ei satu kokkupuutesse teiste akude ega voolu juhtivate materjalidega, transportimise ajal kaitske klemme voolu mittejuhtivate isoleerkatete või teibiga. Ärge transportige pragunenud või lekkivaid akusid. Küsige lisateavet transportettevõtelt.

### ÕPPIGE OMA TOODET TUNDMA

Vt lk 109.

1. Aku ühenduspesa
2. Isoleeritud haardepinnaga käepide
3. Spindli lukustusnupp
4. Külgmine käepide
5. Kaitsse lukustushoob
6. Lihvketta kaitse
7. Labalüliti
8. Lukustuslüüti
9. Survemutter
10. Lihvketas
11. Ketta äärik
12. Spindel
13. Kasutusjuhend
14. Lõikeketas
15. Lisatööriistata lõikeketta kaitse
16. Aku
17. Laadija

### HOOLDUS

- Seade ei tohi mingil juhul olla toitepinge all sel ajal kui kinnitate selle osi, teete reguleerimistoiminguid, puhastate või hooldate seadet ning siis kui seda ei kasutata. Toote eemaldamine toitevõrgust hoiab ära ootamatu käivitumise, mis võib põhjustada raskeid vigastusi.
- Kasutage teenindamisel ainult tootja originaalvaruosi, tarvikuid ja tööorganeid. Muude osade kasutamine võib tekitada ohuolukorra ja põhjustada seadme vigastumise.
- Ärge laske plastosadel mitte mingil juhul sattuda kokkupuutesse auto pidurivedeliku, bensiini, bensiinipõhiste toodete, immutusõlidega või muude samalaadsete vedelikega. Kemikaalid võivad kahjustada, nõrgendada või hävitada plastiku, mis võib omakorda põhjustada vigastusi kasutajale.
- Vältige plastosade puhastamisel lahustite kasutamist. Enamik plaste on tundlikud kaubandusvõrgust saadaolevate lahustite suhtes ja võivad nende mõjul oma omadusi kaotada. Tolmust, õlist, määrdest ja muust mustusest puhastamiseks kasutage puhast riidelappi.
- Kõik remonttööd tuleb lasta teha volitatud hoolduskeskuses, et tagada masina ohutus ja töövoime.

### SÜMBOLID



Ohuhoiatus

n

Nimikiirus

V

Volt



Alalisvool

min<sup>-1</sup>

Pöörete või löökide arv minutis



Enne seadme kasutamist lugege palun kasutusjuhend hoollega läbi.



Kandke kuulmise kaitsevahendeid



Kandke silmade kaitsevahendeid



Kandke tolmumaski.



Kandke turvakindaid



Kandke libisemist takistavaid turvajalatsid.



Ärge kasutage kildunud, pragunenud ja rikutud kettaid



Ärge kasutage lõikamiseks



Kasutage kaitsekatet



Metall



Ei ole ette nähtud märglihvimiseks. Kasutades vett või muud vedelikku jahutusvedelikud võib põhjustada elektrilöögi või šokki.



Ärge kasutage otslihvimiseks.



Euroopa vastavusmäärgis



Suurbritannia vastavusmäärgis



Ukraina vastavusmäärgis

001



Euraasia vastavusmärk



Mittekasutatavaid elektritooteid ei tohi visata olmejäätmete hulka. Vaid tuleb viia vastavasse kogumispunkti. Vajadusel küsige sellekohast nõu oma edasimüüjalt või vastavalt kohaliku omavalitsuse institutsioonilt.

## KASUTUSJUHENDIS KASUTATUD SÜMBOLID



Märkus



Eraldi ostetavad osad või tarvikud



Lukk



Lahtikeeramine



Seisake muruniiduk.



Ilma jõudu kasutamata



Jõudu kasutades

U razvoju ove kutne brusilice dati su maksimalni priorititeti sigurnosti, performansama i pouzdanosti.

## NAMJENA

Kutna brusilica namijenjena je za korištenje samo od strane odraslih osoba koje su pročitale i razumiju upute i upozorenja u ovom priručniku te se mogu smatrati odgovornim za svoje radnje.

Proizvod je konstruiran za brušenje i rezanje metala i kamenih materijala. Samo odgovarajuće rezne ploče kao što je opisano u odjeljku specifikacija proizvoda ovog priručnika treba postaviti na kutnu brusilicu.

Proizvod je namijenjen samo za korištenje u suhim uvjetima. Proizvod nemojte koristiti za primjenu u mokrim uvjetima.

Proizvod je namijenjen za ručnu uporabu. Proizvod se ne smije montirati na radni stol.

Proizvod je namijenjen samo krajnjim korisnicima.

Nemojte koristiti proizvod na bilo koji drugi način od onog za koji je namijenjen. Korištenje električnog alata za radove drugačije od njegove namjene može dovesti do opasne situacije.

**⚠ UPOZORENJE! Pažljivo pročitajte sva upozorenja, upute i specifikacije priložene uz alat i pogledajte crteže.** Nepoštivanje svih uputa može dovesti do električnog udara, požara i / ili teške ozljede.

**Spremite sva upozorenja i upute za buduće korištenje.**

## POSEBNE SIGURNOSNE UPUTE ZA KUTNE BRUSILICE

**SIGURNOSNA UPOZORENJA UOBIČAJENA ZA POSTUPKE BRUŠENJA, GLAČANJA, ČETKANJA ŽICOM, POLIRANJA, REZBARENJA ILI REZANJA:**

- Ovaj električni alat namijenjen je da funkcioniра kao brusilica, alat za glačanje, žičana četka, rezač otvora ili alat za odsjecanje. Pažljivo pročitajte sva upozorenja, upute i specifikacije priložene uz alat i pogledajte crteže. Nepoštivanje svih uputa može dovesti do električnog udara, požara i / ili teške ozljede.
- Postupci kao što su brušenje, glačanje, četkanje žicom, poliranje, izrezivanje otvora ili rezanje ne smiju se obavljati ovim električnim alatom. Operacije za koju električni alat nije osmišljen predstavlja opasnost i prouzročiti ozljede.
- Ovaj električni alat nemojte mijenjati tako da radi na način za koji ga proizvođač alata nije konstruirao i namijenio. Takva preinaka može dovesti do gubitka nadzora i može prouzročiti teške tjelesne ozljede.
- Ne koristite pribor koji proizvođač alata nije konstruirao i naveo. Samo zato što pribor može biti priključen na vaš električni alat, to ne osigurava siguran rad.
- Okretaja od pribora mora biti najmanje jednaka maksimalnu brzinu označen na električni alat. Dodaci koji rade na višim brzinama od njihove nominalne brzine mogu se slomiti ili izletjeti s alata.
- Vanjskog promjera i debljine vašeg pribora mora biti unutar ocjenjivanja sposobnosti vašeg uređaja. Pogrešno veličine pribor se ne može adekvatno čuvano ili kontrolirati.

- Dimenzije okvira pribora moraju odgovarati elementima za ugradnju električnog alata. Dodatni pribor koji ne odgovaraju pričvršnim elementima električnog alata se okreću izvan balansa, previše vibriraju i mogu dovesti do gubitka kontrole.
- Nemojte koristiti oštećeni pribor. Prije svake upotrebe provjerite jesu li svi dodaci koje koristite u dobrom stanju: provjerite da brusne ploče nisu oštećene ili okrnute, da podložne pločice nisu polomljene ili pohabane, da niti metalne četke nisu previše istrošene ili polomljene. Ako je AKU alat ili pribor pao, provjerite štetu ili ugradite neoštećen pribor. Ako je potrebno, stavite i masku protiv prašine, zaštitu od buke, rukavice i zaštitnu ploču kako biste se zaštitili od izljetanja dijelova komada kojeg obrađujete (brusni dijelovi, komadići drveta itd.). Ako je dodatak oštećen, tijekom ove provjere će se slomiti.
- Nosite osobnu zaštitnu opremu. Ovisno o primjeni, koristite lice štít, zaštitne naočale i zaštitne naočale. Ako je potrebno, stavite i masku protiv prašine, zaštitu od buke, rukavice i zaštitnu ploču kako biste se zaštitili od izljetanja dijelova komada kojeg obrađujete (brusni dijelovi, komadići drveta itd.). Zaštita za oči mora biti u stanju zaustaviti leteće krhotine koje nastaju tijekom različitih primjena. Maska za prašinu ili respirator moraju biti u stanju filtrirati čestice koje nastaju tijekom određene primjene. Duže izlaganje jakoj buci može dovesti do gubitka sluha.
- Držite nazočnima sigurnoj udaljenosti od područja rada. Svatko tko bi stupio u radno područje, mora nositi osobnu zaštitnu opremu. Krhotine izratka ili slomljena mogu odletjeti i uzrokovati ozljede i izvan neposrednog područja djelovanja.
- Držite uređaj po izoliranim ručkama površina samo pri obavljanju operacije u kojoj rezanje skrivene ožičenja. Dodirivanje „žive“ žice priborom za rezanje može izložiti metalne dijelove alata električnoj energiji i može dovesti do strujnog udara na operatera.
- Nikad ne odlažite alat prije nego što se pokretni dijelovi sasvim ne zaustave. Predenje alata mogu zgrabite i povucite površinu uređaja izvan vaše kontrole.
- Ne uključujte alat dok ga prevozite. Rotirajući dodatak može se zaplesti u vašu odjeću i ozbiljno vas ozlijediti.
- Redovno čistite ventilacijske otvore alata. Kroz ventilacijske otvore u blizini najbližeg kućišta motora može dospjeti prašina što može uzrokovati pretjerano nakupljanje metalnih komadića i uzrokovati strujni udar.
- Ne koristite uređaj u blizini zapaljivih tvari. U slučaju odskakanja, alat se odbacuje u smjeru suprotnom od smjera rotacije ploče.
- Ne koristite pribor koji zahtijevaju tekućih sredstava za hlađenje. Korištenje vode ili druge tekućine rashladne može dovesti do električnog udara.

### Upozorenja na povratni udar i druge vezane opasnosti

Bakšiš je iznenadna reakcija ili kvrgav stegnut rotirajućeg kotača, prateći pad, četkom ili bilo koji drugi pribor. Štipanje ili snagging uzroka brzog odugovlačenje od rotirajućeg pribor što opet uzrokuje nekontrolirani uređaja biti prisiljeni u smjeru suprotno od dodatne opreme rotacije na mjestu vezanja.



Na primjer, ako je brusna ploča kvrgava ili prignječena od strane izratka, rub kotača koji ulazi u točniju prignječena se može zakopati u površinu materijala uzrokujući da se kotač popne iz prignječena ili iskoči. Kotača ili može skočiti prema ili od operatora, ovisno o smjeru kotača pokreta na mjestu štipanje. U slučaju odskakivanja može doći i do lomljenja brusne ploče.

Odskakivanje je dakle rezultat loše uporabe alata i/ili nepravilnih postupaka ili uvjeta upotrebe. Može ga se izbjeći ako se poštuju neke mjere opreza:

- **Električni alat čvrsto uhvatite s obje ruke, a tijelo i ruke postavite u takav položaj koji vam omogućava da izdržite sile povratnog udara. Ako alat ima pomoćnu ručku, svakako je držite kako biste imali optimalni nadzor nad alatom u slučaju odskakivanja ili da možete odgovarajuće reagirati u trenutku uključivanja uređaja.** Poduzmite potrebne mjere kako biste alat mogli kontrolirati u slučaju odskakivanja ili jakog okretnog momenta.
- **Nikada ne stavljajte ruku u blizini rotirajuće pribor.** Alata mogu bakiš preko vaše ruke.
- **Ne poziciju vaše tijelo na području gdje se električni alat će se pomaknuti ako dođe do povratnog udara.** Bakiš će pokrenuti alat u smjeru suprotnom kotača pokreta na mjestu snagging.
- **Koristite posebna njega kod rada kutova, oštrih rubova i sl. Nemojte alat zaglavljivati ili ispuštati iz ruku.** Uglovi, oštrih rubova i odskakanje imaju tendenciju da uloviti rotirajuće pribor i dovesti do gubitka kontrole ili povratnog udara
- **Nemojte priključivati lanac pile, oštricu za rezbanje drveta, segmentnu dijamantsku ploču s perifernim razmakom većim od 10 mm ili pilu s nazubljenom oštricom.** Takve oštrice povećavaju rizik od odskakivanja i gubitka nadzora na alatom.

#### **Sigurnosna upozorenja specifična za postupke brušenja i rezanja**

- **Koristite samo vrste kotača koje su navedene za vaš električni alat i specifični štitičnik konstruiran za odabrani kotač.** Rezna ploče koje nisu namijenjene za električni alat ne mogu se odgovarajuće zaštititi i nisu sigurni.
- **Površina za brušenja središta brusne ploče mora biti montirana ispod ravnine štitičnika** Nepravilno montirana ploče koja prolazi kroz ravninu štitičnika ne može se pravilno zaštititi.
- **Štitičnik mora biti čvrsto postavljen i pozicioniran na električni alat radi maksimalne sigurnosti, tako da je minimalna količina kotača izložena prema rukovatelju.** Štitičnik pomaže zaštititi rukovatelja od dijelica slomljene ploče, slučajnog kontakta s pločom te od iskri koje mogu zapaliti odjeću.
- **Kotači se moraju koristiti samo za navedene primjene. Na primjer, nemojte brusiti s bočnom stranom reznog kotača.** Abrzivne rezne ploče namijenjene su za površinsko brušenje, primjena bočnih sila na ove kotače može dovesti do njihovog pucanja.
- **Za vaš odabrani kotač uvijek koristite neoštećene prirubnice kotača koje su točne veličine i oblika.** Pravilna prirubnica kotača podupire kotač te stoga smanjuje mogućnost lomljenja kotača. Prirubnice za rezne kotače mogu se razlikovati od prirubnica za brusne kotače.

- **Nemojte koristiti istrošene kotače za alate velike snage.** Kotač namijenjen za alat velike snage nije prikladan za velike brzine manjeg alata i može prsnuti.
- **Dok koristite dvonamjenske kotače uvijek koristite štitičnik prikladan za primjenu koja se obavlja.** Ne budete li koristili odgovarajući štitičnik možda nećete postići željenu razinu zaštite, što bi moglo dovesti do teške ozljede.

#### **Dotatna sigurnosna upozorenja specifična za postupke rezanja**

- **Nemojte „zaglavljivati“ reznu ploču ili primjenjivati prekomjerni pritisak. Nemojte pokušavati učiniti pređubok rez.** Prekomjerno naprezanje ploče povećava opterećenje i mogućnost uvrtnja ili savijanja ploče prilikom reza i mogućnost povratnog udara ili pucanje ploče.
- **Nemojte postavljati tijelo u liniju s i iza ploče za rezanje.** Kad se rezna ploča, u točki rada odmiče od vašeg tijela, može doći do mogućeg povratnog udara rotirajuće ploče i električnog alata prema vama.
- **Kada se kotač spaja ili kada se rezanje prekida zbog bilo kojeg razloga, isključite električni alat i držite ga u nepomičnom položaju sve dok se kotač potpuno ne zaustavi. Nikada ne pokušavajte ukloniti reznu ploču iz reza dok je ploča u pokretu, u suprotnom može doći do povratnog udara.** Istražite i poduzeti korektivne akcije kako bi se uklonili uzrok kotača obvezujuće.
- **Nemojte ponovno pokretati radnju rezanja u izratku. Neka rezna ploča dostigne punu brzinu i pažljivo ponovno nastavite rezati.** Ploča se može saviti, isključiti ili odskočiti unatrag ako se električni alat ponovno pokreće u izratku.
- **Poduprite ploče ili bilo koji izradak velikih dimenzija kako biste smanjili prignječanje i povratni udar rezne ploče.** Veliki izratci se uvijaju pod svojom vlastitom težinom. Potporna se moraju postaviti ispod izratka na obim stranama, blizu crte rezanja i pored ruba izratka.
- **Budite izrazito oprezni kada radite „prividni rez“ u postojećim zidovima ili područjima u kojima ne vidite rez.** Ploča koja izviruje može odrezati cijevi od plina ili vode, električne žice ili predmete koji mogu uzrokovati povratni udar.
- **Ne pokušavajte izvršiti zakrivljeno rezanje.** Prekomjerno naprezanje kotača povećava opterećenje i sklonost savijanju ili vezivanju kotača u rezu i mogućnost povratnog udara ili loma kotača, što može dovesti do teške ozljede.

#### **DODATNA SIGURNOSNA UPOZORENJA**

- Spojite uradak s uređajem za spajanje. Odspojeni izratci mogu uzrokovati ozbiljne ozljede i oštećenje.
- Ozljede mogu biti uzrokovane ili izazvane produljenim vremenskim razdobljem korištenja alata. Kada koristite bilo koji alat dulje vremena, osigurajte da uzimate povremene stanke.
- Raspon temperatura okoliša za alat za vrijeme rada je između 0 °C i 40 °C.
- Raspon temperatura okoliša za pohranu alata je između 0 °C i 40 °C.
- Preporučena temperatura okoliša za sustav punjača za vrijeme punjenja je između 10 °C i 38 °C.

## DODATNA SIGURNOSNA UPOZORENJA ZA BATERIJU

Zbog izbjegavanja opasnosti od požara jednim kratkim spojem, opasnosti od ozljeda ili oštećenja proizvoda, alat, izmjenjivi akumulator ili napravu za punjenje ne uronjavati u tekućine i pobrinite se za to, da u uređaje ili akumulator ne prodiru nikakve tekućine. Korozirajuće ili vodljive tekućine kao slana voda, određene kemikalije i sredstva za bijeljenje ili proizvodi koji sadrže sredstva bijeljenja, mogu prouzročiti kratak spoj.

- Raspon temperatura okoliša za bateriju za vrijeme uporabe je između 0 °C i 40 °C.
- Raspon temperatura okoliša za pohranu baterije je između 0 °C i 20 °C.

## TRANSPORTIRANJE LITIJSKIH BATERIJA

Transportirajte bateriju u skladu s lokalnim i nacionalnim pravilima i zakonima.

Slijedite sve specijalne zahtjeve na pakiranju i naljepnicama prilikom transporta baterije od treće strane. Osigurajte da baterija ne može doći u kontakt s drugim baterijama ili provodnim materijalima tijekom transporta tako da zaštitite izložene priključke s izolacijom, kapicama koje ne provode energiju ili trakom. Nemojte transportirati baterije koje su polomljene ili cure. Provjerite kod kompanije koja transportira za daljnju pomoć.

## UPOZNAJTE SVOJ PROIZVOD

Pogledajte stranicu 109.

1. Ulaz za bateriju
2. Drška, izolirana površina za hvatanje
3. Gumb za zaključavanje osovine
4. Bočna ručka
5. Gumb poluge za zaključavanje
6. Bezalatni štitnik za brušenje
7. Granična sklopka
8. Sklopka za isključivanje
9. Vanjska prirubnica
10. Brus
11. Prirubnica
12. Osovina radnog vretena
13. Priručnik za rukovatelja
14. Disk za rezanje
15. Bezalatni nastavak štitnika za rezanje
16. Baterija
17. Punjač

## ODRŽAVANJE

- Proizvod nikad ne smije biti priključen na izvor napajanja kada sastavljate dijelove, vršite podešenja, čistite, izvodite održavanje ili kada se proizvod ne koristi. Isključivanjem proizvoda s izvora napajanja sprečavaju se slučajna pokretanja proizvoda koja mogu prouzročiti ozbiljne tjelesne ozljede.
- Prilikom servisiranja, koristite samo originalne zamjenske dijelove, dodatni pribor i priključke od proizvođača. Korištenje nekih drugih dijelova može dovesti do opasnosti ili uzrokovati oštećenje alat.
- Nikada ne dopustite kontakt plastičnih dijelova s tekućinom za kočnice, benzinom, proizvodima na bazi petroleja, sredstvima za odmašćivanje, idr. Kemikalije mogu oštetiti, oslabiti ili uništiti plastiku što može dovesti do ozbiljnih osobnih ozljeda.

- Prilikom čišćenja plastičnih dijelova izbjegavajte koristiti kemijska sredstva. Većina plastika je podložna različitim vrstama komercijalnih kemijskih sredstava za čišćenje i mogu se oštetiti prilikom njihovog korištenja. Za uklanjanje nečistoća, prašine, ulja masti i drugog upotrebljavajte čistu krpu.
- Radi veće sigurnosti i pouzdanosti, sve popravke treba izvoditi ovlašteni servisni centar.

## SIMBOLI



Sigurnosno upozorenje

n

Nazivna brzina

V

Volti



Istosmjerna struja

min<sup>-1</sup>

Broj okreta ili pokreta u minuti



Molimo da pažljivo pročitate upute prije pokretanja stroja.



Nosite zaštitu za sluh



Nosite zaštitu za vid



Nosite masku protiv prašine.



Nosite zaštitne rukavice



Nosite protukliznu sigurnosnu obuću.



Nemojte koristiti zarezanu, puknutu ili oštećenu brusnu ploču



Nemojte koristiti za rezanje



Koristite štitnik



Metal



Nije za mokro brušenje. Korištenje vode ili druge tekućine rashladne može dovesti do električnog udara.



Ne koristite ga za frontalno brušenje.



Europska oznaka sukladnosti



Britanska oznaka sukladnosti



Ukrajinska oznaka sukladnosti



EurAsian znak konformnosti



Otpadni električni proizvodi ne treba da se odlažu s otpadom iz domaćinstva. Molimo da reciklirate gdje je to moguće. Potražite savjet od lokalnih vlasti ili prodavca kako reciklirati.

## SIMBOLI U PRIRUČNIKU



Napomena



Dijelovi ili pribor prodan odvojeno



Brava



Otključavanje



Zaustavite uređaj.



Bez primjene sile



S primjenom sile

Varnost, učinkovitost in zanesljivost so bile pri načrtovanju vašega kotnega brusilnika ključnega pomena.

## NAMEN UPORABE

Kotni brusilnik je namenjen odraslim, ki so prebrali in razumejo navodila in opozorila v tem priročniku in ki so odgovorni za svoja dejanja.

Izdelek je zasnovan za brušenje in rezanje kovinskih in kamnitih materialov. Na kotni brusilnik nameščajte samo ustrezne brusilne plošče, kot je opisano v razdelku s tehničnimi podatki v teh navodilih.

Izdelek je predviden samo za suho obdelavo. Izdelka ne uporabljajte za mokro obdelavo.

Izdelek je zasnovan za ročno uporabo. Izdelek ni namenjen za pritrditev na delovni pult.

Izdelek je predviden samo za potrošniško uporabo.

Izdelka ne uporabljajte na noben način, ki ni predpisan za to napravo. Uporaba električnega orodja za namene, ki so drugačni od tistih, za katere je bilo orodje zasnovano, lahko povzroči nevarne situacije.

**⚠ OPOZORILO! Preberite vsa varnostna opozorila, navodila, ilustracije in specifikacije, ki so priložene temu električnemu orodju.** Če ne upoštevate opozoril in navodil, lahko pride do električnega udara, ognja in/ali hudih poškodb.

Vsa opozorila in vsa navodila shranite za bodočo referenco.

## VARNOSTNA OPOZORILA ZA KOTNI BRUSILNIK

**VARNOSTNA OPOZORILA ZA BRUŠENJE, KRTAČENJE, POLIRANJE ALI OBREZOVANJE:**

- **To električno orodje je namenjeno za brušenje in obrezovanje. Preberite vsa varnostna opozorila, navodila, ilustracije in specifikacije, ki so priložene temu električnemu orodju.** Če ne upoštevate opozoril in navodil, lahko pride do električnega udara, ognja in/ali hudih poškodb.
- **S tem orodjem se ne sme izvajati brušenja z brusnim papirjem, žičnega brušenja, poliranja ali vrtnanja lukenj.** Operacije, za katere električno orodje ni bilo predvideno, so lahko tvegane in lahko povzročijo telesne poškodbe.
- **Tega električnega orodja ne prirežite in ne uporabljajte na način, za katerega ni posebej zasnovano in ga navaja proizvajalec orodja.** Takšno prirejanje lahko povzroči izgubo nadzora in hude telesne poškodbe.
- **Ne uporabljajte dodatkov, ki niso posebej zasnovani in navedeni s strani proizvajalca orodja.** Samo dejstvo, da je dodatek mogoče priključiti na vaše električno orodje, ne zagotavlja varnega delovanja.
- **Označena hitrost dodatka mora biti najmanj enaka maksimalni hitrosti, označeni na električnem orodju.** Dodatki, ki delujejo hitreje, kot je njihova označena hitrost, se lahko polomijo in razletijo.
- **Zunanji premer in debelina vašega dodatka morata biti znotraj oznake zmogljivosti vašega električnega orodja.** Dodatkov nepravilne velikosti ne boste mogli ustrezno nadzorovati.
- **Dimenzije nameščenega dodatka se morajo ujemati z dimenzijami nastavka na električnem orodju.**

Dodatki, ki se ne prilegajo pritrditveni strojni opremi električnega orodja, bodo neuravnoteženi, bodo prekomerno vibrirali in lahko povzročijo izgubo nadzora.

- **Ne uporabljajte poškodovanih dodatkov. Pred vsako uporabo pregledajte dodatke: preverite, če so na brusnih kolesih okrušena mesta ali razpoke, na podpornih blazinicah razpoke, raztrganine ali prevelika obraba oz. na žičnih ščetkah nepritrjene ali polomljene žice. Če vam električno orodje ali dodatek padeta iz rok, preverite, ali sta se morda poškodovala, oz. namestite nepoškodovan dodatek. Potem ko ste pregledali in namestili dodatek, poskrbite, da boste vi sami in morebitne druge osebe stali dovolj stran od vrtečega se dodatka, ter poženite električno orodje s polno hitrostjo brez obremenitve za eno minuto.** Poškodovani dodatki običajno v takem testnem času odletijo.
- **Nosite osebno varovalno opremo. Glede na uporabo orodja nosite obrazno masko in varnostna očala. Po potrebi nosite proti-prašno masko, zaščito za sluh, rokavice in delovni predpasnik, ki lahko zadrži drobne ostanke brušenja ali drobne delce obdelovanca.** Zaščita oči mora zagotavljati zaustavitve letečega drobirja, ki nastaja pri različnih uporabah. Protiprašna maska ali dihalni aparat mora zagotavljati filtriranje delcev, ki nastajajo pri različnih uporabah. Daljša izpostavljenost zelo intenzivnemu hrupu lahko povzroči okvaro sluha.
- **Pazite, da bodo morebitni gledalci dovolj oddaljeni od delovnega območja. Vsaka oseba, ki vstopi v delovno območje, mora nositi sredstva za osebno zaščito.** Delci obdelovanega kosa ali odlomljen dodatek lahko poleti po zraku in povzročijo poškodbe izven neposrednega območja dela.
- **Ko izvajate operacijo, pri kateri lahko dodatek za rezanje pride v stik s skritim ožičenjem, držite električno orodje le na izoliranih površinah, predvidenih za držanje.** Če se pripomočki za rezanje dotaknejo žice, ki je pod električno napetostjo, lahko izpostavljeni kovinski deli električnega orodja povzročijo električni udar.
- **Nikoli ne odlagajte električnega orodja, dokler se dodatek ni popolnoma ustavil.** Vrteči se dodatek lahko zgrabi površino in izgubili boste nadzor nad orodjem.
- **Ne vključujte električnega orodja, kadar ga nosite ob telesu.** Vrteče se orodje lahko nehotе pride v stik z vašim oblačilom in potegne dodatek proti vam.
- **Redno čistite zračne odprtine na električnem orodju.** Ventilator motorja bo potegnil prah v ohišje, preveliko nabiranje kovinskega prahu pa lahko povzroči električno tveganje.
- **Ne uporabljajte električnega orodja v bližini vnetljivih materialov.** Zaradi iskrice se ti materiali lahko vžgejo.
- **Ne uporabljajte dodatkov, pri katerih je potreba hladilna tekočina.** Pri uporabi vode ali drugih hladilnih tekočin lahko pride do električnega udara.

**Opozorila glede povratnih udarcev in podobnih primerov**

Povratni udarec je nenadna reakcija zataknenega ali zagozdenega vrtečega se kolesa, podporne blazinice, krtače ali kateregakoli drugega dodatka. Zagozdenje ali zatikanje povzroči nenadno blokado vrtečega se dodatka, ki zaradi tega povzroči nekontrolirano premikanje električnega orodja v nasprotno smer od rotacije dodatka.

Na primer, če se brusno kolo zatakne ali zagozdi na obdelovancu, se lahko rob kolesa, ki vstopa v točko zatikanja, zakopje v površino materiala, kar povzroči, da se kolo nenadoma pomakne ali skoči navzven. Kolo lahko poskoči proti uporabniku ali proč od njega, odvisno od smeri premikanja kolesa v trenutku zagozditve. Brusna kolesa lahko v takih pogojih tudi počijo.

Izogremo se mu lahko tako, da upoštevamo ustrezne previdnostne ukrepe, ki so navedeni v nadaljevanju.

- **Električno orodje trdno držite z obema rokama in telo ter roke imejte v položaju, ki omogoča odpor na sile povratnih udarcev. Vedno uporabljajte pomožni ročaj, če je na voljo, saj boste imeli na ta način večji nadzor nad povratnim udarcem ali protivrtilnim momentom v času zagona.** Uporabnik lahko nadzira protivrtilni moment ali silo povratnega udarca, če se je nanje pravilno pripravil.
- **Nikoli ne približujte roke vrtečemu se dodatku.** Dodatek lahko zaradi povratnega udarca sune v vašo roko.
- **Ne postavljajte se s telesom v območje, kamor se bo premaknilo električno orodje, če pride do povratnega udarca.** Povratni udarec bo potisnil orodje v nasprotni smeri od premikanja kolesa v trenutku zagozditve.
- **Posebej bodite previdni pri obdelavi vogalov, ostrih robov itd. Izogibajte se poskakovanju in zaletavanju dodatka.** Zaradi vogalov, ostrih robov ali poskakovanja se lahko vrteči se dodatek zaleti, zaradi česar izgubite nadzor nad njim ali pride do povratnega udarca.
- **Ne pritrдите veržne žage, rezila za oblikovanje lesa, segmentiranega diamantnega koluta s perifernim razmikom večjim od 10 mm ali nazobčanega rezila.** Taka rezila pogosto povzročijo povratni udarec in izgubo nadzora.

**Posebna varnostna opozorila za brušenje in obrezovanje**

- **Uporabljajte izključno vrste kolutov, ki so specifične za vaše električno orodje in poseben ščitnik, zasnovan za izbrani kolut.** Kolutov, za katere orodje ni bilo izdelano, ni mogoče ustrezno zaščititi, zato jih ni varno uporabljati.
- **Brusilna površina kolenastih brusilnih kolutov mora biti nameščena pod ravnino robu varovala.** Nepravilno nameščenega koluta, ki sega iz ravnine robu varovala, ni mogoče ustrezno zaščititi.
- **Varovalo mora biti trdno pritrjeno na orodje in nameščeno v takem položaju, da zagotavlja najboljšo zaščito tako, da je upravljavcu izpostavljen čim manjši del koluta.** Varovalo pomaga varovati upravljavca pred drobcu koluta, nenamernim stikom s kolutom in iskrami, ki bi lahko vnele oblačila.
- **Kolute se lahko uporablja izključno za specifične uporabe. Zato, na primer, ne brusite s stranjo rezilnega koluta.** Abrazivni rezalni koluti so namenjeni obrobnemu brušenju; stranske sile, ki delujejo na kolute lahko povzročijo, da se koluti zdrobijo.
- **Vedno uporabljajte nepoškodovane prirobnice kolutov pravilne velikosti in oblike za izbrani kolut.** Ustrezne prirobnice kolutov podpirajo kolut in tako zmanjšujejo možnost, da se kolut zlomi. Prirobnice rezilnih kolutov so lahko drugačne od prirobnic brusilnih kolutov.
- **Ne uporabljajte obrabljenih kolutov večjih orodij.** Koluti, namenjeni za uporabo z večjimi orodji, niso primerni za višje hitrosti manjših orodij in se lahko razletijo.

- **Ob uporabi kolutov za dvojni namen vedno uporabljajte ustrezen ščitnik za vrsto uporabe, ki jo izvajate.** Če ne uporabljate ustreznega ščitnika, ta morda ne bo zagotovil zaželeno stopnje zaščite, kar lahko povzroči hudo telesno poškodbo.

**Dodatna varnostna opozorila za obrezovanje**

- **Rezalnega koluta ne zagozdite in ne pritiskajte premočno. Ne poskušajte prekomerno zarezati v globino.** Prekomeren pritisk na kolut poveča obremenjenost in s tem dovednost za upogibanje ali zvijanje koluta v rezu ter možnost povratnega udarca ali zloma koluta.
- **Telesa ne postavljajte v linijo z vrtečim se kolutom ali za kolut.** Ko se kolut med delovanjem pomika proč od vašega telesa, lahko možen povraten udarec vrže vrteči se kolut in orodje naravnost v vas.
- **Če se kolut zatika ali če se žaganje iz kakršnega razloga prekine, izklopite električno orodje in ga držite v nepremičnem položaju, dokler se kolut povsem ne ustavi. Rezalnega koluta nikoli ne poskušajte odstraniti iz reza, medtem ko se kolut premika, saj lahko pride do povratnega udarca.** Preiščite situacijo in ukrepajte tako, da boste odstranili vzrok za ustavitve kolesa.
- **Rezanja obdelovanca ne začnite znova. Kolut naj doseže polno hitrost, nato pa previdno ponovite rez.** Kolut se lahko upogne, nenadzorovano premakne ali udari nazaj, če električno orodje ponovno zaženete v obdelovancu.
- **Plošče ali prevelike obdelovance ustrezno podprite, da zmanjšate tveganje za stiskanje koluta in povratni udarec.** Veliki obdelovanci se lahko zaradi svoje lastne teže upognejo. Podpore morajo biti nameščene pod obdelovanec na obeh straneh, blizu linije rezanja in na robu obdelovanca.
- **Pri potopnem rezanju v obstoječo steno ali druge polne površine bodite posebej pazljivi.** Štrleči del koluta lahko reže plinske ali vodne cevi, električne žice ali predmete, ki lahko povzročijo povratni udarec.
- **Ne poskušajte izdelovati ukrivljenih rezov.** Preobremenitev koluta poveča obremenitev in možnost ukrivljenja ali zatikanja koluta v rezu ter morda povratni udarec ali zlom kolesa, kar lahko povzroči hudo telesno poškodbo.

#### DODATNA VARNOSTNA OPOZORILA

- Obdelovanec vpnite z vpenjalno napravo. Obdelovanci, ki niso vpeti, lahko povzročijo hude poškodbe in škodo.
- Zaradi daljše uporabe orodja lahko pride do poškodb oz. se morebitne poškodbe poslabšajo. Kadar orodje uporabljate dalj časa, si večkrat vzemite odmor.
- Temperatura okolja delovanja orodja je med 0 °C in 40 °C.
- Temperatura okolja shranjevanja orodja je med 0 °C in 40 °C.
- Priporočena temperatura okolja za polnilni sistem med polnjenjem je med 10 °C in 38 °C.

#### DODATNA VARNOSTNA OPOZORILA ZA BATERIJO

V izogib, s kratkim stikom povzročene nevarnosti požara, poškodb ali okvar na proizvodu, orodja, izmenljivega akumulatorja ali polnilne naprave ne potaplajte v tekočine in poskrbite, da ne bo prihajalo do vdora tekočin v napravo

in akumulatorje. Korozivne ali prevodne tekočine, kot so slana voda, določene kemikalije in belila ali proizvodi, ki le ta vsebujejo, lahko povzročijo kratek stik.

- Temperatura okolja za baterijo (izdelek) je med 0 °C in 40 °C.
- Temperatura okolja za shranjevanje baterije je med 0 °C in 20 °C.

### PREVAŽANJE LITIJEVIH AKUMULATORJEV

Akumulator prevažajte v skladu z lokalnimi in državnimi uredbami in predpisi.

Upošteвайте vse posebne zahteve glede pakiranja in označevanja, kadar prevoz opravlja tretja oseba. Zagotovite, da akumulatorji med prevozom ne morejo priti v stik z drugimi akumulatorji ali prevodnimi materiali, tako da zaščitite izpostavljene konektorje z neprevodnimi izolacijskim pokrovčki ali trakom. Ne prevažajte poškodovanih akumulatorjev oz. akumulatorjev, ki puščajo. Za nadaljnje informacije se obrnite na posredništvo.

### SPOZNAJTE SVOJ IZDELEK

Glej stran 109.

1. Priklop za bateriji
2. Ročaj, izolirano držalo
3. Gumb za blokado vretena
4. Stranska ročica
5. Zapora vzvoda za varovalo
6. Ščitnik za brušenje brez orodja
7. Lopatično stikalo
8. Zaklepno stikalo
9. Zunanja prirobnica
10. Brusni kolut
11. Kolutna prirobnica
12. Gred vretena
13. Priročnik za uporabo
14. Rezalni disk
15. Pritrdilo za ščitnik za brušenje brez orodja
16. Baterija
17. Polnilec

### VZDRŽEVANJE

- Ko sestavljate dele, prilagajate, čistite ali vzdržujete orodje, ali ko izdelka ne uporabljate, ga nikoli ne imejte priključenega na vir napajanja. Če izdelek izklopite iz napajanja, preprečite nenameren zagon, ki bi lahko povzročil resne telesne poškodbe.
- Za servisiranje uporabljajte le proizvajalčeve originalne nadomestne dele, dodatke in nastavke. Uporaba drugih delov lahko pomeni tveganje ali povzroči škodo na izdelku.
- Zavorna tekočina, gorivo, izdelki na osnovi nafte, prodirajoče olje ipd. nikoli ne smejo priti v stik s plastičnimi deli. Kemikalije lahko poškodujejo, oslabijo ali uničijo plastiko, kar lahko ima za posledico tudi resne telesne poškodbe.
- Pri čiščenju plastičnih delov se izogibajte topilom. Večina vrst plastik se lahko pri uporabi različnih komercialnih topil poškoduje. Za odstranjevanje umazanije, saj in podobnega uporabljajte čisto krpo.
- Zaradi večje varnosti in zanesljivosti naj vsa popravila izvaja pooblaščen servisni center.

### SIMBOLI



Varnostno opozorilo

n

Nazivna hitrost

V

Volti



Enosmerni tok

min<sup>-1</sup>

Vrtljajev ali nihajev na minuto



Prosimo, da si pred zagonom naprave pozorno preberete navodila



Nosite zaščito za ušesa



Nosite zaščito za oči



Nosite protiprašno masko.



Nosite zaščitne rokavice



Nosite varnostne čevlje, ki ne drsijo



Ne uporabljajte odkrušenih, počenih ali poškodovanih brusilnih kolutov



Ne uporabljajte za rezanje



Uporabite varovalo



Kovina



Ni za mokro brušenje. Pri uporabi vode ali drugih hladilnih tekočin lahko pride do električnega udara.



Ne uporabljajte za brušenje površin.



Evropski znak skladnosti



Britanski znak skladnosti



Ukrajinski znak skladnosti

001



EurAsian oznaka o skladnosti



Odpadne električne izdelke ne odlagajte skupaj z ostalimi gospodinjstvi odpadki. Reciklažo opravljajte na predpisanih mestih. Za nasvet se obrnite na lokalne oblasti.

## SIMBOLI V PRIROČNIKU



Opomba



Deli ali dodatki so na prodaj ločeno



Zaklenjeno



Odklenjeno



Zaustavite izdelek.



Ne na silo



Na silo

Na dosiahnutie jednoduchej obsluhy a prevádzky boli pri navrhovaní tejto uhlovej brúsky najvyššou prioritou bezpečnosť, výkon a spoľahlivosť.

## ÚČEL POUŽITIA

Táto uhlová brúška je určená len na použitie dospelými osobami, ktoré si prečítali a porozumeli pokynom a výstrahám v tomto návode a možno ich považovať za zodpovedajúce za svoje činy.

Tento výrobok bol navrhnutý na brúsenie a rezanie kovových a kamenných materiálov. Na uhlovú brúsku možno montovať len príslušné brúsne disky podľa popisu v sekcii špecifikácií produktu v tomto návode.

Tento výrobok je určený len na suché použitie. Výrobok nepoužívajte na mokré aplikácie.

Tento produkt bol navrhnutý na ručné používanie. Tento výrobok nie je určený na namontovanie na pracovný stôl.

Tento výrobok je určený len na spotrebiteľské použitie.

Tento produkt nepoužívajte žiadnym iným spôsobom, ako je uvedené v účele použitia. Pri používaní mechanického nástroja na iné ako určené činnosti môže dôjsť k nebezpečným situáciám.

**VAROVANIE!** Prečítajte si všetky výstrahy, pokyny, vyobrazenia a špecifikácie dodané k tomuto elektrickému nástroju. Pri nedodržaní týchto výstrah a pokynov môže dôjsť k úrazu elektrickým prúdom, požiaru a/alebo závažnému poraneniu

**Odložte všetky výstrahy a pokyny pre budúce použitie.**

## BEZPEČNOSTNÉ OPATRENIA PRE UHLOVÚ BRÚSKU

### BEZPEČNOSTNÉ VÝSTRAHY SPOLOČNÉ PRE BRÚSENIE A ROZBRUSOVANIE:

- **Toto elektrické náradie je určené na používanie ako náradie na brúsenie alebo rozbrusovanie. Prečítajte si všetky výstrahy, pokyny, vyobrazenia a špecifikácie dodané k tomuto elektrickému nástroju.** Pri nedodržaní týchto výstrah a pokynov môže dôjsť k úrazu elektrickým prúdom, požiaru a/alebo závažnému poraneniu
- **S týmto elektrickým náradím sa nesmú vykonávať činnosti, ako jemné brúsenie, upravovanie drôtenou kefou, leštenie alebo rezanie otvorov.** Pri vykonávaní operácií, pre ktoré nie je tento elektrický nástroj určený, vzniká riziko vzniku poranenia osôb.
- **Toto elektrické náradie nemeňte na používanie iným spôsobom, než na aký ho konkrétne navrhol a určil výrobca náradia.** Takáto zmena môže mať za následok stratu kontroly a môže spôsobiť vážne osobné poranenie.
- **Nepoužívajte príslušenstvo, ktoré nie je výhradne navrhnuté a uvádzané výrobcom náradia.** To, že príslušenstvo sa dá nasadiť na váš elektrický nástroj, ešte neznamená, že bude pri tom zaistená bezpečná prevádzka.
- **Menovitá rýchlosť príslušenstva môže byť maximálne rovnaká maximálnej rýchlosti vyznačenej na elektrickom náradí.** Príslušenstvo pracujúce na vyššej ako svojej menovitej rýchlosti, sa môže rozbiť a rozpadnúť.

- **Vonkajší priemer a hrúbka vášho príslušenstva musí byť v rozmedzí menovitej kapacity elektrického náradia.** Príslušenstvo nepravnej veľkosti nie je možné primerane viesť a ovládať.
- **Rozmery montovaného príslušenstva musia vyhovovať rozmerom prostriedkov na namontovanie na elektrickom náradí.** Príslušenstvo, ktoré nezodpovedá montážnemu náradiu elektrického nástroja, sa dostane mimo rovnováhu, spôsobí nadmerné vibrácie a môže spôsobiť stratu kontroly.
- **Nepoužívajte poškodené príslušenstvo. Pred každou kontrolou príslušenstva, napríklad abrazívnych kotúčov, skontrolujte, či neobsahuje úlomky alebo praskliny, oporné podložky, nie sú zodraté alebo nadmerne opotrebované, drôtené kotúče, či nie sú uvoľnené alebo nemajú popraskané vlákna. Ak elektrické náradie alebo príslušenstvo spadnú, skontrolujte prípadné poškodenie alebo namontujte nepoškodené príslušenstvo. Po skontrolovaní a namontovaní príslušenstva sa postavte vy aj okolostojáci mimo roviny rotujúceho príslušenstva a na jednu minútu spustíte elektrický náradie na maximálnu rýchlosť bez záťaž. Poškodené príslušenstvo sa zvyčajne počas tohto testu rozpadne.**
- **Používajte osobné ochranné prostriedky. V závislosti od použitia používajte chránič na tvár, ochranné alebo bezpečnostné okuliare. Podľa potreby používajte protiprachovú masku, chrániče sluchu, rukavice a pracovnú zásteru schopnú zachytiť malé úlomky brusiva alebo obrobku.** Ochrana zraku musí zastaviť letiace úlomky, ktoré sa tvoria pri rôznych aplikáciách. Protiprachová maska alebo respirátor musia odfiltrovať častice, ktoré vznikajú pri konkrétnej aplikácii. Dlhodobé vystavovanie hluku môže spôsobiť stratu sluchu.
- **Okolostojacich udržiavajte v bezpečnej vzdialenosti od pracoviska. Každá osoba, ktorý vstúpi do oblasti pracoviska, musí mať osobné ochranné pomôcky.** Úlomky obrobku alebo poškodené príslušenstvo môže odletieť a spôsobiť poranenie aj mimo bezprostredného miesta práce.
- **Pri vykonávaní operácie, kedy môže rezacie náradie prísť do kontaktu so skrytým vedením, držte náradie za izolované úchopné miesta.** Pri kontakte rezacieho príslušenstva so „živým“ vodičom by mohli byť obnažené kovové diely pod prúdom a spôsobiť obsluhujúcemu úder elektrickým prúdom.
- **Nikdy elektrický nástroj neodkladajte, kým sa príslušenstvo úplne nezastavilo.** Otáčajúce sa príslušenstvo môže zachytiť a stiahnuť elektrické náradie mimo vašej kontroly.
- **Nikdy nespúšťajte elektrické náradie, keď ho nosíte na boku.** Pri náhodnom kontakte s otáčajúcim sa príslušenstvom by vám mohlo zachytiť odev a stiahnuť príslušenstvo smerom na vaše telo.
- **Pravidelne čistite vzduchové prieduchy elektrického náradia.** Ventilátor motora vtáhuje prach dovnútra a nadmerné nahromadenie práškového kovu môže spôsobiť ohrozenie elektrickým prúdom.
- **Nepracujte s elektrickým náradím v blízkosti zápalných materiálov.** Iskry mohli spôsobiť vznietenie týchto materiálov.
- **Nepoužívajte príslušenstvo, ktoré vyžadujú tekuté chladivá.** Pri použití vody alebo iného tekutého chladiva by mohlo dôjsť k usmrteniu alebo úderu elektrickým prúdom.



## Spätňý náraz a súvisiace výstrahy

Spätňý náraz je náhla reakcia na zovretý alebo pritlačený rotujúci kotúč, opornú podložku, kefkú alebo iné príslušenstvo. Zoškrtenie alebo pritlačenie spôsobí náhle spomalenie otáčajúceho sa príslušenstva, čo zase spôsobí nekontrolované uskočenie elektrického náradia v opačnom smere ako otáčanie príslušenstva v momente zovretia.

Napríklad, ak obrobok priškrtní alebo pritlačí rozbrusovací kotúč, okraj kotúča vstupujúceho do bodu priškrtenia môže spôsobiť jeho vrytie do povrchu materiálu, čo spôsobí vytiahnutie alebo vykopnutie kotúča. Kotúč môže byť vyskočený dopredu alebo dozadu od obsluhujúcej osoby, v závislosti od smeru pohybu kotúča v momente priškrtenia. Za týchto podmienok môžu tiež prasknúť abrazívne kotúče.

Spätňý náraz je výsledok nesprávneho používania nástroja a/alebo nesprávnych prevádzkových postupov a možno mu predchádzať vykonávaním príslušných predbežných opatrení uvedených nižšie.

- **Elektrické náradie pevne držte obomi rukami a telo a ruky umiestnite tak, aby ste dokázali odolať silám spôsobeným spätňým nárazom. Vždy používajte aj pomocnú rukoväť, ak je namontovaná, aby ste dosiahli maximálnu kontrolu nad spätňým nárazom alebo momentovou reakciou pri spustení.** Sily spätneho nárazu alebo momentových reakcií môže obsluhujúca osoba ovládnuť, ak vykoná príslušné protipatrenia.
- **Nikdy nedávajte ruku do blízkosti otáčajúceho sa príslušenstva.** Príslušenstvo môže vykonať spätňý náraz do vašej ruky.
- **Nepribližujte sa telom do oblastí, kam sa pohne elektrické náradie, keď nastane spätňý náraz.** Spätňý náraz odhodí náradie opačným smerom od smeru pohybu kotúča v momente priškrtenia.
- **Pri opracovávaní rohov, ostrých hrán a pod. buďte zvlášť opatrní.** Zabráňte odsakovaniu a zadrhávaniu príslušenstva. Rohy, ostré hrany alebo odsakovanie majú tendenciu zadrhnúť príslušenstvo a spôsobiť stratu kontroly alebo spätňý náraz.
- **Nenasadzujte reťazový pílu, rezbárske ostrié, segmentovaný diamantový kotúč s obvodovou medzerou väčšou ako 10 mm alebo ozubené pílové ostrié.** Takéto ostriá často spôsobujú spätňý náraz a stratu kontroly

## Bezpečnostné výstrahy špecifické pre brúsenie a rozbrusovanie

- **Používajte len také druhy kotúčov, ktoré sú uvedené pre vaše elektrické náradie, a špecifický chránič navrhnutý pre vybraný kotúč.** Kotúče, pre ktoré nie je tento elektrický náradie určené, nie je možné primerane viesť a nie sú bezpečné.
- **Brúsna plocha v strede sploštených kotúčov musí byť namontovaná pod rovinou obruby ochranného krytu.** Nesprávne namontovaný kotúč, ktorý vyčnieva cez rovinu obruby ochranného krytu, nie je možné primerane chrániť.
- **Ochranný kryt musí byť bezpečne nasadený na elektrickom náradí a v polohe zaručujúcej maximálnu bezpečnosť, aby smerom k obsluhujúcemu bola vystavená čo najmenšia časť kotúča.** Kryt chráni obsluhujúceho pred úlomkami poškodeného kotúča, náhodným kontaktom a iskrami, ktoré by mohli spôsobiť vznietenie odevu.

- **Kotúče sa môžu používať len na uvedené aplikácie. Napríklad, nebrúste s bočnou stranou rozbrusovacieho kotúča.** Abrazívne rozbrusovacie kotúče sú určené pre periférne brúsenie, inak by bočné sily aplikované na tieto kotúče mohli zapríčiniť ich rozlomenie.
- **Vždy používajte nepoškodené príruby kotúčov správnej veľkosti a tvaru pre váš zvolený kotúč.** Správne príruby kotúčov podopierajú kotúč, a tým znižujú pravdepodobnosť zlomenia kotúča. Príruby pre rozbrusovacie kotúče môžu byť odlišné od prírub pre brúsne kotúče.
- **Nepoužívajte vydraté kotúče z väčších elektrických nástrojov.** Kotúče určené pre väčšie elektrické náradie nie sú vhodné pre vyššie rýchlosti menšieho náradia a môžu prasknúť.
- **Pri používaní dvojúčelových kotúčov vždy použite správny chránič pre vykonávanú aplikáciu.** Pochybenie použiť správny chránič nemusí zaisťiť dostatočnú úroveň ochrany, čo môže viesť k vážnemu poraneniu.

## Doplnkové bezpečnostné výstrahy pre rozbrusovanie

- **Dbajte na to, aby nedošlo k „zaseknutiu“ rozbrusovacieho kotúča ani naň nevyvíjajte nadmerný tlak. Nevykonávajte rezy nadmernej hĺbky.** Preťažovanie kotúča zvyšuje zataženie a náchylnosť ku skrúteniu alebo zovretiu kotúča v reze a pravdepodobnosť spätneho nárazu alebo prasknutia kotúča.
- **Nepribližujte sa telom do línie a za otáčajúci sa kotúč.** Keď sa kotúč v bode operácie pohybuje smerom od vášho tela, prípadný spätňý náraz môže odhodiť otáčajúci sa kotúč a elektrický nástroj priamo do vás.
- **Ak dôjde k uviaznutiu kotúča alebo zastaveniu rezu kvôli akémukoľvek dôvodu, elektrické náradie vypnite a držte ho nepohnute až do úplného zastavenia kotúča. Nikdy sa nepokúšajte vybrať rozbrusovací kotúč z rezu, kým sa tento pohybuje, inak môže dôjsť k spätnému nárazu.** Zistíte a vykonajte nápravné kroky a eliminujte príčinu zovretia kotúča.
- **Nespúšťajte znova rezanie v obrobku. Počkajte, kým kotúč dosiahne maximálnu rýchlosť a potom znova vojdite do rezu.** Pri opätovnom spustení elektrického nástroja v obrobku sa kotúč môže zovrieť, vysunúť alebo spätne naraziť.
- **Panely či iné nadmerné obrobky podoprite, aby sa minimalizovalo riziko zovretia kotúča a spätneho nárazu.** Veľké obrobky sa zvyknú prehýbať pod vlastnou váhou. Podpery sa musia umiestniť pod obrobok v blízkosti línie rezania a v blízkosti okraja obrobku na oboch stranách kotúča.
- **Pri vykonávaní „vreckového rezu“ do existujúcich stien či iných neprehľadných povrchov.** Prečnievajúci kotúč môže prezať plynové alebo vodovodné potrubie, elektrické vedenie alebo objekty, ktoré môžu zapríčiniť spätňý náraz.
- **Nepokúšajte sa vykonávať zaoblené rezy.** Nadmerný tlak na kotúč zvyšuje zataženie a náchylnosť na stočenie alebo uviaznutie kotúča v reze s dôsledkom spätneho nárazu alebo poškodenia kotúča, čo môže viesť k vážnemu poraneniu.

## ĎALŠIE BEZPEČNOSTNÉ VÝSTRAHY

- Upnite obrobok pomocou upínacieho zariadenia. Neupnuté obrobky môžu spôsobiť závažné poranenie a škody.
- Dlhodobé používanie nástroja môže spôsobiť alebo zhoršiť poranenia. Pri používaní nástroja príliš dlhé obdobia si vždy doprajte pravidelné prestávky.
- Rozsah okolitej teploty počas prevádzkovania náradia je 0 °C až 40 °C.
- Rozsah okolitej teploty počas skladovania náradia je 0 °C až 40 °C.
- Odporúčaný rozsah okolitej teploty pre nabíjaci systém počas nabíjania je 10 °C až 38 °C.

## DOPLNKOVÉ BEZPEČNOSTNÉ VÝSTRAHY PRE BATÉRIU

Aby ste zabránili nebezpečenstvu požiaru spôsobeného skratom, poraneniam alebo poškodeniam výrobu, neponárajte náradie, výmennú batériu alebo nabíjačku do kvapalín a postarajte sa o to, aby do zariadení a akumulátorov nevnikli žiadne tekutiny. Korodujúce alebo vodivé kvapaliny, ako je slaná voda, určité chemikálie a bieliace prostriedky alebo výrobky, ktoré obsahujú bielicid, môžu spôsobiť skrat.

- Rozsah okolitej teploty počas používania batérie je 0 °C až 40 °C.
- Rozsah okolitej teploty počas skladovania batérie je 0 °C až 20 °C.

## PREPRAVA LÍTIOVÝCH AKUMULÁTOROV

Akumulátor prepravujte v súlade s miestnymi smernicami a nariadeniami.

Keď akumulátory prepravuje tretia strana, dodržiavajte všetky požiadavky na balení a označení. Zabezpečte, aby počas prepravy akumulátory neprišli do kontaktu s inými akumulátormi ani vodivými materiálmi – chráňte obnažené konektory pomocou izolácie, nevodivými viečkami alebo páskou. Neprepravujte akumulátory, ktoré sú prasknuté alebo vytekajú. Ďalšie pokyny zistíte u nasledujúcej spoločnosti.

## OBOZNÁMTE SA S VAŠIM PRODUKTOM

Vid' strana 109.

1. Otvor na akumulátory
2. Rúčka, izolovaný povrch na držanie
3. Tlačidlo blokovania vretena
4. Bočná rukoväť
5. Poistka páčky krytu
6. Kompletný chránič na brúsenie
7. Lopatkový vypínač
8. Poistný spínač
9. Upínacia matica
10. Brúsny kotúč
11. Príruba disku
12. Otočný hriadeľ
13. Návod na obsluhu
14. Rezný kotúč
15. Doplnkový kompletný chránič na rezanie
16. Súprava batérie
17. Nabíjačka

## ÚDRŽBA

- Tento produkt sa nikdy nesmie pripájať do elektrickej siete, keď montujete diely, vykonávate úpravy, čistíte alebo vykonávate údržbu, alebo keď produkt nepoužívate. Odpojenie výrobu od zdroja napájania zabráni náhodnému spusteniu, ktoré by mohlo spôsobiť vážne poranenie.
- Pri servise používajte len originálne náhradné diely, príslušenstvo a nástavce výrobu. Použitie iných dielov môže predstavovať riziko alebo spôsobiť poškodenie produktu.
- Dbajte na to, aby do kontaktu s plastovými dielmi nikdy neprišli do kontaktu brzdové kvapaliny, benzín, ropné produkty, prenikavé oleje a pod. Chemikálie môžu poškodiť, oslabiť, alebo zničiť plastové časti a tak spôsobiť vážne zranenie.
- Vyhýbajte sa použitiu rozpúšťadiel pri čistení plastových častí. Veľšina plastických materialov je občutlivosť na rozličné vrste komerčialno dostupnih topil in jih z njihovo uporabo lahko poškozujemo. Na odstránenie špiny, uhlíkového prachu a pod. použite čisté tkaniny.
- Pre vyššiu bezpečnosť a spoľahlivosť sa musia všetky opravy vykonávať v autorizovanom servisnom centre.

## SYMBOLY



Bud'te ostražití

n

Menovitá rýchlosť

V

Napätie



Jednosmerný prúd

min<sup>-1</sup>

Počet otáčok za minútu



Pred zapnutím zariadenia si prosím prečítajte inštrukcie



Noste ochranu sluchu



Noste ochranu zraku



Používajte protiprachovú masku.



Používajte ochranné rukavice



Používajte protišmykovú bezpečnostnú obuv.



Nepoužívajte vyštrbený, prasknutý alebo poškodený brúsny kotúč



Nepoužívajte na rezanie



Použite kryt



Kov



Nie je určené na mokré brúsenie. Pri použití vody alebo iného tekutého chladiva by mohlo dôjsť k usmrteniu alebo úderu elektrickým prúdom.



Nepoužívajte na brúsenie čelnou stranou.



Európske označenie zhody



Britské označenie zhody



Ukrajinské označenie zhody



Euroázijská značka zhody



Opatrebované elektrické zariadenia by ste nemali odhadzovať do domového odpadu. Prosíme o recykláciu ak je možné. Kontaktujte miestne úrady, alebo predajcu pre viac informácií o hľadom ekologického spracovania.

## SYMBOLY V NÁVODE



Poznámka



Diely alebo príslušenstvo predávané samostatne



Zamknuté



Odomknuté



Zastavte zariadenie.



Bez vyvíjania sily



S vyvinutím sily

Безопасността, производителността и надеждността са аспектите, на които е отделен най-голям приоритет при проектирането на вашия ъглошлайф.

## ПРЕДНАЗНАЧЕНИЕ

Ъглошлайфът е предназначен за използване само от възрастни, които са прочели и разбрали инструкциите и предупрежденията в настоящото ръководство и могат да бъдат считани като отговорни за своите действия.

Продуктът е предназначен за шлифване и рязане само на материали от метал или камък. Към ъглошлайфа трябва да се монтира само подходящи шлифовъчни дискове, както е описано в раздела със спецификации на продукта на настоящото ръководство.

Продуктът е предназначен само за суха употреба. Не използвайте izdeliето за мокри приложения.

Проектиран е за ръчна употреба. Продуктът не трябва да се монтира на работна маса.

Продуктът е предназначен само за потребителска употреба.

Не го използвайте за никакви други цели. Използването на електрически инструменти за различни от предвидените от производителя приложения повишава опасността от възникване на трудови злополуки.

**⚠ ПРЕДУПРЕЖДЕНИЕ!** Прочетете всички предупреждения за безопасност инструкции, илюстрации и спецификации, предоставени с този електрически инструмент. Неспазването на инструкциите, изброени по-долу, може да доведе до електрически удар, пожар и/или тежки физически травми.

Съхранявайте всички предупреждения и инструкции за бъдещи справки.

## ПРЕДУПРЕЖДЕНИЯ ЗА БЕЗОПАСНОСТ ПРИ РАБОТА С ЪГЛОШЛАЙФА

**ОБИЧАЙНИ ПРЕДУПРЕЖДЕНИЯ ЗА БЕЗОПАСНОСТ ПРИ ОПЕРАЦИИ ЗА ЗАТОЧВАНЕ, ШЛИФОВАНЕ, ЧЕТКАНЕ, ПОЛИРАНЕ ИЛИ РЯЗАНЕ:**

- Този електрически инструмент е предназначен да функционира като шлайфмашина или инструмент за рязане. Прочетете всички предупреждения за безопасност инструкции, илюстрации и спецификации, предоставени с този електрически инструмент. Неспазването на инструкциите, изброени по-долу, може да доведе до електрически удар, пожар и/или тежки физически травми.
- Не се препоръчва с този електрически инструмент да се извършват операции като заточване, шлифване, четкане, полиране, изрязване на дупки или рязане. Операциите, за които не е предназначен електрическият инструмент, могат да доведат до рискове и да причинят физическо нараняване.
- Не преобразувайте този електрически инструмент, за да работи по начин, който не е специално проектиран и посочен от производителя на инструмента. Такова преобразуване може да доведе до загуба на управление и да причини сериозно нараняване.

- Не използвайте принадлежности, които не са конкретно предназначени и посочени от производителя на инструмента. Това, че аксесоарът може да бъде прикачен към електрическият инструмент, не гарантира безопасна работа.
- Номиналната скорост на аксесоара трябва да е поне равна на максималната скорост, означена върху електрическият инструмент. Аксесоари, работещи по-бързо от номиналната си скорост, могат да се счупят и да се разхвърчат части от тях.
- Външният диаметър и дебелината на аксесоара трябва да попадат в номиналните стойности за капацитета на електрическият инструмент. Аксесоари с неподходящ размер не могат да бъдат правилно предпазвани и контролирани.
- Размерите на принадлежността за монтиране трябва да съответстват на размерите на монтажния хардуер на електрическият инструмент. Аксесоари, които не съпадат с монтажните принадлежности на електрическият инструмент, ще излязат от баланс, ще вибрират прекалено и могат да доведат до загуба на контрол над уреда.
- Не използвайте аксесоар, ако е повреден. Преди всяко използване проверявайте аксесоара, например абразивните дискове – за пукнатини и стружки, поддържащата подложка – за пукнатини, разсъване или прекомерно износване, телената четка за разхлабени или пречупени телчета. Ако електрическият инструмент или даден аксесоар бъдат изпуснати, проверете ги за повреда или поставете неповреден аксесоар. След проверката и поставянето на аксесоар, вие и страничните лица трябва да застанете настрана от зоната на действие на ротационния аксесоар и след това стартирайте електрическият инструмент на максимална скорост без натоварване в продължение на една минута. Обикновено повредените аксесоари ще се счупят през този тестов период.
- Използвайте лична защитна екипировка. В зависимост от приложението използвайте маска за лице или предпазни очила. Ако е необходимо носете маска против прах, антифони, ръкавици и работна престилка, която да е в състояние да спре малки абразивни фрагменти или елементи от работния материал. Предпазните очила трябва да са в състояние да спрат хвърчащи детайли, образувани при различните приложения. Противопраховата маска или респираторът трябва да са в състояние да филтрират частиците, образувани при съответното приложение. Продължителното излагане на действието на шум с висока интензивност може да доведе до загуба на слуха.
- Страничните лица трябва да са на безопасно разстояние от работната зона. Всеки, който навлиза в работната зона, трябва да носи лични предпазни средства. Фрагменти от работния материал или отчупени елементи от аксесоар могат да изхвърчат и да причинят нараняване извън непосредствената работна зона.
- Дръжте електрическият инструмент само за изолираните повърхности за хващане, когато извършвате операция, при която режещият аксесоар може да влезе в контакт със скрити проводници. Режещ аксесоар, който влезе в контакт с проводник, по който тече ток, може да доведе до

протичането на ток по неизолираните метални части на електрическия инструмент и да причини токов удар на оператора.

- **Никога не полагайте електрическия инструмент, докато аксесоарът не спре да се движи напълно.** Въртящият се аксесоар може да захване повърхността и да изведе електрическия инструмент извън контрола ви.
- **Не стартирайте електрическия инструмент, докато го носите странично от себе си.** Случайното влизане в контакт с въртящия се аксесоар може да доведе до захващане на облеклото ви, при което аксесоарът да се доближи до тялото ви.
- **Редовно почиствайте вентилационните отвори на електрическия инструмент.** Вентилаторът на мотора ще придърпва праха в корпуса, а прекомерното натрупване на метални прахообразни частици може да причини рискове от електрическа неизправност.
- **Не използвайте електрическия инструмент в близост до запалими материали.** Искрите могат да ги запалят.
- **Не използвайте аксесоари, които изискват течни охладители.** Използването на вода или друг течен охладител може да доведе до токов удар.

#### Откат и свързани с това предупреждения

Откатът е внезапна реакция при стягане или захващане на въртящ се диск, поддържаща подложка, четка или друг аксесоар. При защипване или заклиняване въртящата се приставка спира бързо, което на свой ред тласка неуправляемия електроинструмент в посока, обратна на въртенето на приставката в точката на заклиняване.

Ако например абразивен диск бъде стегнат или захванат в работния детайл, ръбът на диска, който влиза в точката на захващане, може да задълбае в повърхността на материала, което да доведе до излизан или откат на диска. Дискът може да отскочи в посока към или встрани от оператора в зависимост от посоката на движение на диска в точката на захващане. Абразивните дискове могат и да се счупят при тези условия.

Откатът е следствие на неправилно използване на електрическия инструмент. Той може да бъде предотвратен с предприемане на подходящи предпазни мерки, които са описани по-долу:

- **Поддържайте здрав захват с две ръце на електрическия инструмент и разположете тялото и ръката си така, че да можете да усвоите на силите на отката.** Винаги използвайте спомагателната ръкохватка, ако има такава, за максимален контрол върху отката или реакцията на въртящия момент по време на стартиране. Операторът може да контролира реакциите на въртящия момент или силите на отката, ако са взети подходящи предпазни мерки.
- **Никога не поставяйте ръката си в близост до въртящ се аксесоар.** Аксесоарът може да отскочи над ръката ви.
- **Ако се получи откат, не поставяйте тялото си в зоната на движение на електрическия инструмент.** Откатът ще завърти инструмента в посока, противоположна на движението на диска в точката на захващане.

- **Бъдете особено внимателни, когато работите близо до ъгли, остри ръбове и т.н.** Избягвайте отскачането и захващането на аксесоара. При ъгли, остри ръбове или отскачане има риск въртящият се аксесоар да се закачи и това да доведе до загуба на контрол или до откат.
- **Не поставяйте режеща верига, острие за резба на дърво, сегментирани диамантени дискове с по-големи от 10 mm периферни прорези или циркулярни дискове.** Такива остриета причиняват често откат и загуба на контрол.

#### Предупреждения за безопасност конкретно при операции за заточване и рязане

- **Използвайте само видове дискове, които са посочени за вашия електрически инструмент, както и специфичен предпазител, проектиран за избрания диск.** Дискове, за които електрическият инструмент не е проектиран, не могат да бъдат правилно обезопасени и са опасни.
- **Шлифовъчната повърхност на притиснатите в центъра дискове трябва да бъде монтирана под равнината на ръба на предпазителя.** Неправилно монтиран диск, който минава през равнината на ръба на предпазителя, не може да бъде правилно обезопасен.
- **Предпазителят трябва да бъде поставен и здраво закрепен за електрическия инструмент за максимална безопасност, така че възможно най-малка част от диска да бъде изложена към оператора.** Предпазителят помага за защитата на оператора срещу счупени части на диска, случаен контакт с диска и искри, които могат да запалят облеклото му.
- **Дисковете трябва да се използват само за посочените приложения.** Например, не заточвайте със страничната част на режещ диск. Абразивните режещи дискове са предназначени за периферно заточване, страничните сили, приложени към тези дискове, могат да доведат до разтрошаването им.
- **Винаги използвайте здрави фланци за дискове, които са с правилния размер и форма за избрания от вас диск.** Подходящият фланец поддържа диска, като по този начин намалява вероятността за неговото счупване. Фланците за режещи дискове могат да се различават от фланците за шлифовъчни.
- **Не използвайте износени дискове от по-големи електрически инструменти.** Диск, предназначен за по-голям електрически инструмент, не е подходящ за по-високата скорост на по-малкия инструмент и може да се пръсне.
- **Когато използвате дискове с двойно предназначение, винаги използвайте правилния предпазител за конкретното приложение.** Неизползването на правилния предпазител може да не осигури желаното ниво на защита, което може да доведе до сериозни наранявания.

#### Допълнителни предупреждения за безопасност конкретно за операциите за рязане

- **Внимавайте режещият диск да не „заседне“ и не прилагайте прекомерен натиск.** Не се опитвайте да правите разрез с прекалена дълбочина. Претоварването на диска увеличава натоварването и податливостта му на усукване или захващане в разреза, както и вероятността от откат или счупване на диска.

- **Не разполагайте тялото си успоредно или зад въртящия се диск.** Когато по време на работа дискът се отдалечава от тялото ви, възможният откат може да задвижи въртящия се диск и електрическият инструмент директно към вас.
- **Когато дискът е заклезен или даден разрез е прекъснат поради някаква причина, изключете електрическият инструмент и го задръжте неподвижен, докато дискът спре напълно. Никога не опитвайте да извадите режещия диск от разреза, докато се движи, тъй като може да се получи откат.** Направете проверка и предприемете коригиращи действия, за да отстраните причината за заклеждане на диска.
- **Не започвайте отново операцията по рязане на детайла. Нека дискът да достигне пълна скорост и внимателно го вкарайте отново в разреза.** Дискът може да отскочи, да се придвижи нагоре или да се получи откат, ако електрическият инструмент е стартиран повторно в работния детайл.
- **Поддържайте панелите или всеки голям работен детайл, с цел намаляване до минимум на риска от захващане или стягане на диска.** Големите работни детайли могат да се огънат от собствената си тежест. Трябва да се поставят подпори под работния детайл, близо до линията на рязане и до ръба на детайла, от двете страни на диска.
- **Бъдете особено внимателни, когато правите „дъжен разрез“ в съществуващите стени или други слепи зони.** Издаденият диск може да реже газови или водни тръби, електрически кабели или предмети, които могат да доведат до откат.
- **Не опитвайте да режете с извивки.** Претоварването на диска увеличава натоварването и податливостта му на усукване или захващане в разреза, както и вероятността от откат или счупване на диска, което може да доведе до сериозно нараняване.

#### ДОПЪЛНИТЕЛНИ ПРЕДУПРЕЖДЕНИЯ ЗА БЕЗОПАСНОСТ

- Закрепете работния детайл с устройство за захващане. Незакрепени обработвани детайли могат да причинят сериозно нараняване или щети.
- Продължителното използване на инструмента може да доведе до наранявания или влошаване. При използване на инструмента за продължителни периоди от време правете чести почивки.
- Диапазонът на околната температура при работа с инструмента е между 0°C и 40°C.
- Диапазонът на околната температура при съхранение на инструмента е между 0°C и 40°C.
- Препоръчителният диапазон на околната температура при зареждане със зарядната система е между 10°C и 38°C.

#### ДОПЪЛНИТЕЛНИ ПРЕДУПРЕЖДЕНИЯ ЗА БЕЗОПАСНОСТ ЗА БАТЕРИЯТА

За да избегнете опасността от пожар, предизвикана от късо съединение, както и нараняванията и повредите на продукта, не потапяйте инструмента, сменяемата акумулаторна батерия или зарядното устройство в течности и се погрижете в уредите и акумулаторните батерии да не попадат течности. Течностите, предизвикващи корозия или провеждащи електричество,

като солена вода, определени химикали, избелващи вещества или продукти, съдържащи избелващи вещества, могат да предизвикат късо съединение.

- Диапазонът на околната температура при използване на батерията е между 0°C и 40°C.
- Диапазонът на околната температура при съхранение на батерията е между 0°C и 20°C.

#### ТРАНСПОРТИРАНЕ НА ЛИТИЕВИ БАТЕРИИ

Транспортирайте батериите в съответствие с местните и национални постановления и разпоредби.

Спазвайте всички специални изисквания за пакиране и етикетиране, когато транспортирате батерии чрез трето лице. Уверете се, че батериите не влизат в контакт с други батерии или проводими материали по време на транспортиране, като предпазите откритите конектори с изолация, непроводими капачета или лента. Не транспортирайте батерии, които са спукани или текат. Свържете се със следната компания за допълнителен съвет.

#### ОПОЗНАЙТЕ ВАШИЯ ПРОДУКТ

Вж. страница 109.

1. Гнездо за батерията
2. Ръкохватка, изолирана повърхност за захващане
3. Бутон за заключване на шпиндела
4. Странична ръкохватка
5. Предпазно заключване на лоста
6. Предпазител за безинструментно фиксиране при операции за заточване
7. Превключвател с лопатка
8. Превключвател за заключване
9. Гайка на скобата
10. Шлифовъчен диск
11. Фланец на диска
12. Вал на шпиденла
13. Ръководство за оператора
14. Режещ диск
15. Приставка с предпазител за рязане за безинструментно фиксиране
16. Батерия
17. Зарядно устройство

#### ПОДДРЪЖКА

- Продуктът не трябва никога да се включва в захранване, когато сглобявате части, правете настройки, почиствате, извършвате поддръжка или когато не го използвате. Изключването на продукта от захранването ще предотврати случайно стартиране, което би могло да причини сериозни наранявания.
- При обслужване използвайте само оригинални резервни части, аксесоари и средства за прикрепване на производителя. Използването на други части може да ви постави в опасност или да повреди продукта.
- В никакъв случай не позволявайте пластмасовите части да влизат в контакт със спирачни течности, нефтени продукти, проникващи масла и т.н. Химикалите могат да повредят, отслабят или унищожат пластмасата, което може да доведе до сериозни физически наранявания.
- Избягвайте използването на разтворители при почистването на пластмасовите части. Повечето

пластмаси са чувствителни към различни видове разтворители и може да се повредят при използването на такива. Използвайте меки кърпи за отстраняване на замърсявания, въглероден прах и др.

- За по-голяма безопасност и надеждност всички ремонти трябва да се извършват от оторизиран сервиз.

**СИМВОЛИ**

-  Предупреждение относно безопасността
- n** Номинална скорост
- V** Напрежение
-  Постоянен ток
- min<sup>-1</sup>** Обороти или възвратно-постъпателни движения в минута
-  Прочетете инструкциите внимателно, преди да стартирате машината.
-  Носете антифони
-  Носете защитни средства за очи
-  Носете подходяща маска против прах.
-  Носете предпазни ръкавици
-  Носете неплъзгащи се предпазни обувки.
-  Не използвайте надраскан, пукнат или дефектен шлифовъчен диск
-  Не използвайте за рязане
-  Използвайте предпазител
-  Метален
-  Не е предназначен за мокро шлифование. Използването на вода или друг течен охладител може да доведе до токов удар.
-  Не използвайте инструмента за челно шлифование.
- CE** Знак за съответствие с европейските изисквания



Знак за съответствие с изискванията на Обединеното кралство



Знак за съответствие с изискванията на Украйна



EurAsian знак за съответствие



Електрическите уреди не трябва да се изхвърлят заедно с битовите отпадъци. Рециклирайте, където има възможност. Обърнете се за съвет по рециклирането към местните власти или разпространителите.

**СИМВОЛИ В НАСТОЯЩОТО РЪКОВОДСТВО**

-  Забележка
-  Частите или принадлежностите се продават отделно
-  Ключалка
-  Отключване
-  Спрете продукта.
-  Без усилие
-  С усилие

- EN
- FR
- DE
- ES
- IT
- NL
- PT
- DA
- SV
- FI
- NO
- RU
- PL
- CS
- HU
- RO
- LV
- LT
- ET
- HR
- SL
- SK
- BG**
- UK
- TR
- EL

Безпеці, продуктивності і надійності наданий вищий пріоритет в дизайні вашої кутової шліфувальної машини.

## ПРИЗНАЧЕННЯ

Ця кутова шліфувальна машина призначена для використання тільки дорослими, які читали і зрозуміли інструкції та попередження в цьому посібнику і можуть вважатися відповідальними за свої дії.

Виріб призначений для шліфування та різання металів і каміння. Тільки відповідні шліфувальні диски, які описані в розділі специфікації продукту даного керівництва, повинні бути встановлені на кутову шліфувальну машину.

Пристрій призначено тільки для сухого використання. Виріб не призначений для використання із застосуванням води.

Пристрій призначений для ручного використання. Виріб не монтується на робочій поверхні.

Пристрій призначений тільки для домашнього використання.

Не використовуйте пристрій для будь-яких інших цілей. Використання електричного інструменту для операцій, які відрізняються від призначених, може призвести до небезпечної ситуації.

**⚠ ПОПЕРЕДЖЕННЯ!** Прочитайте всі правила безпеки, інструкції, ілюстрації і специфікації, що поставляються з електроінструментом. Недотримання всіх зазначених інструкцій може призвести до ураження електричним струмом, пожежі та/або серйозних травм.

Збережіть всі інструкції і вказівки для майбутнього використання.

## ТЕХНІКА БЕЗПЕКИ ПРИ ЕКСПЛУАТАЦІЇ КУТОВОЇ ШЛІФУВАЛЬНОЇ МАШИНИ

**ЗАСТЕРЕЖЕННЯ ЩОДО БЕЗПЕКИ, ЗАГАЛЬНІ ДЛЯ ОПЕРАЦІЙ ШЛІФУВАННЯ РІЗНИМИ СПОСОБАМИ, ПОЛІРУВАННЯ, ОБРОБКИ МЕТАЛЕВОЮ ШІТКОЮ АБО РІЗАННЯ:**

- Цей електроінструмент призначений для шліфування та різання. Прочитайте всі правила безпеки, інструкції, ілюстрації і специфікації, що поставляються з електроінструментом. Недотримання всіх зазначених інструкцій може призвести до ураження електричним струмом, пожежі та/або серйозних травм.
- Такі операції, як шліфування з використанням піску або дротяної шітки, полірування та прорізання отворів, не рекомендується виконувати за допомогою цього інструменту. Операції, для яких електроінструмент не призначений, можуть створити небезпеку і заподіяти травму.
- Не переробляйте цей інструмент для використання у цілях, не визначених виробником. Таке перероблення може призвести до втрати контролю і стати причиною серйозної травми.
- Використовуйте тільки аксесуари, розроблені виробником спеціально для цього інструменту. Просто тому, що приладдя може бути підключене до електроінструменту, це не гарантує безпечну експлуатацію.
- **Номинальна швидкість диску повинна бути як мінімум рівною максимальній швидкості, зазначеній на силовому інструменті.** Диски, які обертаються швидше за їх номінальну швидкість можуть розколотися і їх частини можуть розлетітися.
- **Зовнішній діаметр і товщина приладдя повинна бути в межах розрахунку продуктивності вашого електроінструменту.** Некоректні за розміром аксесуари не можуть бути адекватно захищені та керовані.
- **Розміри насадок мають бути співмірними з розміром знаряддя для кріплення на інструменті.** Приладдя, яке не відповідає монтажному обладнанню електроінструменту буде працювати нерівномірно, надмірно вібрувати і може призвести до втрати керування.
- **Не використовуйте пошкоджені диски.** Перед кожним використанням огляньте аксесуар, наприклад, шліфувальні диски на предмет відколів та тріщин, опорну платву перевірте на наявність тріщин, розривів або надмірного зносу, дротяну шітку на послаблені або потріскані дроти. Якщо електроінструмент або приладдя впало, перевірте на наявність пошкоджень або встановіть неушкоджене приладдя. Після перевірки та встановлення диска встаньте (разом із сторонніми спостерігачами) поза площиною обертального диска та увімкніть виріб на максимальну швидкість без навантаження на одну хвилину. Пошкоджені диски зазвичай розламуються при тестовому увімкненні.
- **Використовуйте персональне захисне обладнання.** Залежно від застосування, використовуйте захисну маску, запобіжні або захисні окуляри." Коли необхідно, надягайте маску від пилу, захист від слуху, рукавички і робочий фартух, здатні зупинити невеликі абразивні частинки або фрагменти заготовки. Окуляри мають бути достатньо міцними, щоби не допустити потрапляння скалок в очі. Пилозахисна маска або респіратор мають зупиняти частки, що утворюються при виконанні операції. Тривалий вплив високої шуму може призвести до втрати слуху.
- **Тримайте людей на безпечній відстані від робочої зони.** Будь-хто, входячи в робочу зону повинен носити приватне захисне обладнання. Фрагменти заготовки або розбитого приладдя можуть полетіти і заподіяти травму за межами безпосередньої близькості від роботи.
- **Тримайте електроінструмент за ізольовані поверхні при виконанні дій, при яких ріжуче приладдя можуть контактувати з прихованою проводкою.** Ріжучі приладдя при контакті з проводом під напругою можуть зробити незахищені металеві частини електроінструменту під напругою і можуть вдарити оператора електричним струмом.
- **Ніколи не кладіть електроінструмент, поки приладдя повністю не зупинилось.** Обертове приладдя може захопити поверхню і витягнути електроінструмент з вашого контролю.
- **Не запускайте електроінструмент коли переносите його на робоче місце.** Випадковий контакт з обертаним приладдям може зловити ваш одяг, потягнувши приладдя до вашого тіла.



- Регулярно очищайте вентиляційні прорізи електроінструменту. Вентилятор двигуна буде втягувати пил усередину корпусу і надмірне накопичення металевих порошоків може викликати ураження електричним струмом.
- Не використовуйте електроінструмент поблизу легкозаймистих матеріалів. Іскри можуть запалити ці матеріали.
- Не використовуйте приладдя, що вимагає рідких охолоджуючів. Використання води або інших охолоджуючих рідин може призвести до ураження електрострумом або шоку.
- Додаткові інструкції з техніки безпеки для шліфувальних і відрізнних операцій. Неправильно встановлене колесо що виступає з пластини захисної кромки не може бути належним чином захищене.
- Захист має бути надійно присданий до силового інструмента і бути розміщений так, щоб забезпечувати максимальну безпеку, щоб в сторону користувача викидалася мінімальна кількість улаmkів диску. Кожах допомагає захистити оператора від осколків розбитого диска, випадкового контакту з диском та іскор, які можуть підпалити одяг.

#### Віддача і суміжні попередження

Віддача є раптовою реакцією на защемлення або зачеплення обертального диску, опорної платви, щітки або будь-якого іншого аксесуару. Стиснення або зачеплення викликає швидку втрату швидкості обертаємого аксесуару, який в свою чергу викликає переміщення неконтрольованого електроінструменту в напрямку, протилежному обертанню аксесуара.

Наприклад, якщо абразивне коло зачепилося або затиснуто у заготовці, край колеса, що входить в точку зачиплення може вколитися в поверхню матеріалу в результаті чого колесо буде западати або викидатися." Колесо може рухатися до або від оператора, в залежності від напрямку руху колеса в точці защемлення. За цих умов абразивні диски можуть також розколотися.

Віддача є наслідком неправильного застосування електро інструменту та/або неправильних процедур або умов експлуатації і може бути уникнута застосуванням належних запобіжних заходів, як зазначено нижче.

- Міцно утримуйте інструмент обома руками, ставайте так, щоби зберегти положення у разі віддачі. Для максимального контролю віддачі або реакції на обертання під час запуску завжди використовуйте додаткову ручку, якщо вона є в наявності. Оператор може контролювати реакції крутного моменту або віддачу, якщо будуть прийняті відповідні запобіжні заходи.
- Ніколи не тримайте руки біля диску, що обертається. Може виникнути віддача у руку.
- Не ставайте в місці потенційного руху електроінструменту при виникненні зворотнього удару. Віддача спонукає інструмент рухатись у напрямку, протилежному напрямку руху диску від точки стопоріння.
- Будьте особливо обережними під час роботи у кутах, біля гострих кромки і т.д. Уникайте відскоків та зачеплень диску. Куточки, гострі краї або стрибання мають тенденцію зловловати обертове приладдя і приводити до втрати контролю або віддачі.
- Не встановлюйте пильний ланцюг, диск для різьби по дереву, сегментований алмазний диск з периферійним прорізами більшими 10 мм або зубчатий пиляльний диск. Такі леза створюють часті відкати і втрату контролю.

#### Додаткові заходи безпеки для шліфувальних та відрізнних операцій

- Використовуйте виключно диски, призначені для вашого електроінструменту, і захисні щітки, що відповідають обраним дискам. Диски, які не призначені для цього електроінструмента не гарантують належного захисту та не є безпечними.

- Диски використовуйте тільки за призначенням. Наприклад, не виконуйте шліфування боковою стороною відрізнного диску. Абразивні відрізаючі диски призначені для периферійного шліфування, бічні сили, прикладені до цих дисків можуть призвести до їх зруйнування.

- Завжди використовуйте неушкоджені фланці дисків правильного розміру і форми, що відповідають обраному диску. Правильні фланці диску підтримують диск, що знижує можливість розламування диску. Фланці для відрізнних дисків можуть відрізнятись від фланців для шліфувальних дисків.

- Не використовуйте зношені диски від електроінструментів більших за розміром. Диск призначений для більшого за розміром електроінструмента не підходить для більш високої швидкості меншого інструмента та може призвести до вибуху.

- При використанні дисків подвійного призначення застосуйте захисні щітки, призначені для відповідних операцій. При використанні неправильних щітків рівень захисту може виявитися недостатнім, і це може призвести до серйозної травми.

#### Додаткові заходи безпеки спеціально для операцій відрізнання

- Не "затискайте" відрізнний диск або не застосовуйте надмірний тиск. Не намагайтесь зробити різ надмірної глибини. Перевантаження диска збільшує навантаження і сприйнятливість до скручування або зачеплення диска в розрізі, віддачі або поломки диска.
- Не ставайте на одній лінії з обертовим диском або позаду нього. Коли диск, в момент експлуатації віддається від вашого тіла, можлива віддача може спрямувати обертовий диск і електроінструмент прямо на вас.
- У разі застрягання диску, або коли треба перервати операцію різання з будь-якої причини, вимкніть електроінструмент і тримайте його нерухомо, поки диск не зупиниться повністю. Ніколи не намагайтесь видалити відрізаючий диск з розрізу, коли диск кртіється, це може спричинити віддачу. Щоб усунути причину заклинювання диску, знайдіть її та усуньте.
- Не розпочинайте ріжучу операцію у заготовці. Нехай диски досягнуть повної швидкості і повторно введіть їх у розріз. Диск може зв'язуватися, підскакувати або спричинити віддачу, якщо електроінструмент буде перезапущений у заготівлі.

- Підтримуйте панелі або будь-які негабаритні деталі, щоб мінімізувати ризик зацеплення диска і віддачі. Великі заготовки можуть прогинатися під власною вагою. Опори повинні бути поміщені під заготовку поблизу лінії розрізу і поруч з краями заготовки на обох сторонах диска.
- **Будьте особливо обережні при виконанні "кишенькових розрізів" в існуючих стінах або інших відмостках.** Виступаючий диск може скоротити газові або водопровідні труби, електропроводку або предмети, які можуть викликати віддачу.
- **Не намагайтеся виконувати операції фігурної різьби.** При докладанні надмірних зусиль навантаження на диск зростає; диск може гнутися або застрягати у прорізі, виникає ризик віддачі та руйнування диску, що може стати причиною серйозної травми.

#### ДОДАТКОВІ ЗАХОДИ БЕЗПЕКИ.

- Затисніть заготовку за допомогою затискного пристрою. Незатиснені заготовки можуть привести до серйозних травм і пошкоджень.
- Тривале використання інструменту може викликати або посилити травми. При використанні інструменту протягом тривалого періоду, робіть регулярні перерви.
- Діапазон температури навколишнього середовища для пристрою під час використання від 0°C до 40°C.
- Діапазон температури навколишнього середовища для пристрою під час зберігання від 0°C до 40°C.
- Рекомендований діапазон температури зовнішнього середовища для системи заряджання під час заряджання між 10°C та 38°C.

#### ТЕХНІКА БЕЗПЕКИ ПРИ ЕКСПЛУАТАЦІЇ АКУМУЛЯТОРНОЇ БАТАРЕЇ

- Для запобігання небезпеці пожежі в результаті короткого замикання, травмам і пошкодженню виробів не занурюйте інструмент, змінний акумулятор або зарядний пристрій у рідину і не допускайте потрапляння рідини всередину пристроїв або акумуляторів. Корозійні і струмопровідні рідини, такі як солоний розчин, певні хімікати, вибілювальні засоби або продукти, що їх містять, можуть призвести до короткого замикання.
- Діапазон температури навколишнього середовища для акумулятора під час використання між 0°C та 40°C.
  - Діапазон температур зовнішнього середовища під час зберігання акумулятора між 0°C та 20°C.

#### ТРАНСПОРТУВАННЯ ЛІТІЄВИХ БАТАРЕЇ

Транспортуйте батарею відповідно до місцевих та національних положень та правил.

Дотримуйтеся усіх спеціальних вимог щодо пакування та маркування при транспортуванні батареї третьою стороною. Переконайтеся, що батареї не можуть вступати в контакт з іншими батареями або провідними матеріалами при транспортуванні, захищаючи відкриті роз'єми ізоляційними непровідящими кришками або стрічкою. Не перевозити батареї, які мають тріщини або протечки. Консультуйтеся з експедиторською компанією для подальших консультацій.

#### ЗНАЙТЕ СВІЙ ПРОДУКТ

Див. стор. 109.

1. Гніздо для акумулятора
2. Ручка, ізольована поверхня для утримання
3. Блокування шпинделя кнопки
4. Бічна рукоятка
5. Важіль захисного блокування
6. Кожух диска, що кріпиться без інструментів
7. Лопатковий перемикач
8. Блокувальний перемикач
9. Затискна гайка
10. Шліфувальний диск
11. Фланець диска
12. Вал шпинделя
13. Керівництво з експлуатації
14. Різальний диск
15. Захисний щиток, що кріпиться без інструментів
16. Акумуляторна батарея
17. Зарядний пристрій

#### ОБСЛУГОВУВАННЯ

- Продукт не повинен бути підключений до джерела живлення при складанні деталей, регулюванні, чищенні, проведенні технічного обслуговування або коли продукт не використовується. Від'єднання пристрою від мережі живлення унеможливіть випадковий запуск пристрою, який може стати причиною серйозного травмування.
- При обслуговуванні використовуйте тільки оригінальні запасні частини аксесуарів та обладнання від виробника. Використання будь-яких інших деталей може створити небезпеку або спричинити пошкодження продукту.
- Ніколи не дозволяйте гальмівній рідині, бензину, продуктам на основі нафти, і проникаючим маслам вступати в контакт з пластиковими деталями. Хімічні речовини можуть пошкодити, послабити або знищити пластик, який може привести до серйозної травми.
- Не використовуйте розчинники для очищення пластмасових деталей. Більшість пластмас вразлива до різних видів комерційних розчинників і може бути пошкоджена їх використанням. Використовуйте чисті ганчірки для видалення бруду і вугільного пилу.
- Для більшої безпеки і надійності, всі ремонтні роботи повинні виконуватися в авторизованому сервісному центрі.

#### СИМВОЛИ



Попередження безпеки

n

Номінальна швидкість

v

Вольти



Постійний струм

min<sup>-1</sup>

Оберти або зворотно-поступальні рухи у хвилину



Будь ласка, уважно прочитайте інструкцію перед запуском продукту.



Носіть захист слуху



Носіть захист для очей



Носіть маску



Надягати захисні рукавиці.



Надягайте неслизьке робоче взуття.



Не використовуйте шліфувальний круг, якщо він пошкоджений або має відколи, тріщини.



Не використовуйте для різання



Використовуйте кожух



Метал



Не для мокрого шліфування. Використання води або інших охолоджуючих рідин може призвести до ураження електрострумом або шоку.



Не використовувати для торцевого шліфування.



Європейський знак відповідності



Британський знак відповідності



Український знак відповідності



Євразійський знак відповідності



Відходи електротехнічної продукції не слід викидати разом із побутовими відходами. Будь ласка, переробляйте там, де наявне устаткування. Перевірте з вашим місцевим органом влади або продавцем для консультацій з приводу переробки.

## СИМВОЛИ В ЦІЄЇ ІНСТРУКЦІЇ З ЕКСПЛУАТАЦІЇ



Примітка



Запасні деталі або приналежності продаються окремо



Блокувати



Розблокувати



Вимкніть інструмент.



Без натиску



З натиском

Açılı taşlama makineniz tasarlanırken temel öncelik güvenlik, performans ve güvenilirlik özelliklerine verilmiştir.

## KULLANIM AMACI

Açılı taşlama makinesi, bu kılavuzdaki talimatları ve uyarıları okumuş ve anlamış ve eylemlerinden sorumlu tutulabilecek yetişkinler tarafından kullanılması amaçlanmaktadır.

Ürün taşlamaya, metalleri ve taş malzemeleri kesmeye yöneliktir. Açılı taşlama makinesine yalnızca bu kılavuzun ürün teknik özellikleri kısmında belirtilen uygun taşlama diskleri takılmalıdır.

Ürün sadece kuru kullanıma yöneliktir. Ürünü ıslak uygulamalar için kullanmayın.

Ürün elle kullanılmak üzere tasarlanmıştır. Ürün bir tezgaha monte edilemez.

Ürün sadece tüketici kullanımı için geliştirilmiştir.

Bu ürünü belirtilen kullanım amacı dışında herhangi bir amaçla kullanmayın. Elektrikli aletin tasarladığından farklı bir işte kullanılması tehlikeli durumlara neden olabilir.

**⚠ UYARI! Bu aletle birlikte verilen tüm uyarı, talimat ve özellikleri dikkatlice okuyunuz ve resimli açıklamalara bakınız.** Aşağıda belirtilen talimatlara uyulmaması, yangın, elektrik çarpması ve/veya ciddi bedensel yaralanmalar gibi kazalar sebep olabilir.

**Tüm uyarıları ve talimatları daha sonra başvurmak üzere saklayın.**

## AÇI TAŞLAMA MAKINESİNE AIT ÖZEL GÜVENLİK TALİMATLARI

**TAŞLAMA VE KESME İŞLEMLERİ İÇİN ORTAK GÜVENLİK UYARILARI: BU ELEKTRİKLİ ALET TAŞLAYICI VEYA KESME ALETİ OLARAK TASARLANMIŞTIR.**

- **Bu elektrikli cihaz taşlama ve kesme makinesi işlevi görmek amacıyla taşır. Bu aletle birlikte verilen tüm uyarı, talimat ve özellikleri dikkatlice okuyunuz ve resimli açıklamalara bakınız.** Aşağıda belirtilen talimatlara uyulmaması, yangın, elektrik çarpması ve/veya ciddi bedensel yaralanmalar gibi kazalar sebep olabilir.
- **Kumlama, tel fırçalama, cilalama, delik kesme gibi işlemler bu aletle gerçekleştirilmemelidir.** Bu talimata uyulmaması kazalara ve ciddi bedensel yaralanmalara sebep olabilir.
- **Bu elektrikli aleti, alet üreticisinin tasarımına uygun olmayan veya belirtmediği şekilde çalıştırmak amacıyla döndürmeyin.** Bu tür bir döndürme kontrol kaybıyla sonuçlanabilir ve ciddi kişisel yaralanmalara neden olabilir.
- **Özel olarak tasarlanmamış ve alet üreticisi tarafından belirtilmemiş aksesuarları kullanmayın.** Bir aksesuar bir alet üzerine takılabilirse bile, bu, cihazı güvenlik içerisinde kullanabileceğiniz anlamına gelmemektedir.
- **Aksesuarın nominal hızının, alet üzerinde belirtilen azami hıza eşit veya üzerinde olması gerekmektedir.** Nominal hızlarından daha yüksek bir hızda çalışan aksesuarlar kırılabilir veya fırlayabilir.
- **Aksesuarın dış çapı ve kalınlığının, cihaz için belirtilen özelliklere tekabül etmesi gerekmektedir.** Eğer aksesuarlar verilen özelliklere uymuyor ise, aletin koruma ve ayarlama sistemleri doğru olarak çalışmazlar.

- **Aksesuar montajının boyutları elektrikli aletin montaj donanımının boyutlarına uygun olmalıdır.** Elektrikli aletin montaj donanımına uymayan aksesuarların dengesi bozulur, aşırı şekilde titre ve kontrolün kaybedilmesine neden olabilir.
- **Hasar görmüş bir aksesuar kullanmayın.** Her kullanımdan önce, kullandığınız aksesuarın iyi durumda olmasını kontrol edin: aşındırıcı disklerin çizilmiş veya çatlamış olmamasına, patenlerin yırtılmış veya yıpranmış olmamasına, metalik fırçaların kırılmanın çok yıpranmış veya kırılmış olmamasında emin olun. **Aletin veya aksesuarın düşmesi durumunda, hiçbir parçanın hasar görmemiş olduğunu kontrol edin ve gerekirse yeni bir aksesuar takın.** Aksesuarın iyi durumda olmasını kontrol ettikten ve aksesuarı taktıktan sonra, hareketli aksesuardan uzak durun ve bir dakika boyunca aletin azami hızına erişmesini bekleyin. Eğer aksesuar hasar görmüş ise, bu test esnasında kırılacaktır.
- **Kişisel koruyucu donanımlar kullanın.** Aletinizi kullandığınız şekle göre, bir koruma maskesi, güvenlik gözlükleri veya koruma gözlükleri takın. Gerekirse, toz önleyici bir maske, sese karşı koruyucular, eldivenler ve her türlü yabancı madde (aşındırıcı unsurlar, ağaç talaşı, vs.) sıçramasına karşı kendinizi korumak için bir koruma tablası kullanın. Göz koruma, çeşitli uygulamaların oluşturduğu uçan döküntüleri durduracak nitelikte olmalıdır. Toz maskesi veya solunum maskesi belirli uygulamalar tarafından oluşturulan partikülleri filtreleme özelliğine sahip olmalıdır. Uzun süre çok yoğun bir gürültüye maruz kalınması, duyma kaybına sebep olabilir.
- **Ziyaretçileri çalışma alanına uzak bir mesafede tutun ve bir koruma ekipmanı takmalarına dikkat edin.** Herkes Çalışma alanınıza giren kişisel koruyucu donanımlar giymek gerekir. Üretilcek parçanın veya kırılmış bir aksesuarın kalıntıları çalışma alanının dışına fırlayabilir ve ciddi bedensel yaralanmalara sebep olabilir.
- **Kesici aksesuarlar gizli kablo tesisatını kesebileceği için, matkapla çalışırken izolasyonlu tutma yüzeylerinden tutun.** Kesici aksesuarın elektrik geçen kabloyla temas etmesi, elektrikli aletin metal parçalarının elektrikle yüklenmesine ve kullanıcının elektrikle çarpılmasına neden olabilir.
- **Aksesuar tamamen durmadan aleti asla bırakmayın.** Dönen aksesuar, konulduğu yere temas edebilir ve sizin aletin kontrolünü kaybetmenize sebep olabilir.
- **Taşırken aletinizi çalıştırmayın.** Dönen aksesuar kıyafetleriniz kapabilir ve sizi ciddi bir şekilde yaralayabilir.
- **Aletin havalandırma boşluklarını düzenli olarak temizleyin.** Motorun havalandırılması, motor karteri içerisine toz girmesine sebep olur ve bu da metalik partiküllerin aşırı şekilde toplanmasına elektrik çarpmalarına sebep olabilir.
- **Aletinizi yanıcı unsurların yanında kullanmayın.** Kıvılcıklar bunların tutuşmasına sebep olabilir.
- **Soğutma sıvıları gerektiren aksesuarlar kullanmayın.** Su veya soğutma sıvısının kullanılması, elektrik çarpmasına veya buna bağlı ölümlere sebep olabilir.

## Geri tepme ve ilgili uyarılar

Sıçrama, taşlama makinesi hareket halinde iken, paten, fırça veya diğer aksesuarlar delerken veya keserken gerçekleşen ani bir tepkidir ve sonucunda aksesuar hızla bloke edilir. Alet, çalışmaya devam eder, bu durumda aleti aksesuarın kullanıldığı yönün aksi yönüne doğru sıçratır.

Örneğin, aşındırıcı bir disk iş parçasına takılır veya iş parçasına sıkılırsa, sıkışan diskin kenarı iş parçasına girebilir ve bu durum diskin çıkmasına veya aniden fırlamasına yol açabilir. Tekerlek ya doğru ya da uzağa operatörünüzden, tekerlek hareketi yönüne pinching noktasında bağlı atlama olabilir. Sıçrama olması durumunda, aşındırıcı disk ayrıca kırılabilir de.

Dolayısıyla sıçrama, aletin yanlış olarak kullanılmasının ve/veya hatalı kullanım yöntem ve koşullarının sonucunda oluşur. Birkaç tedbire uyarak bu önlenilebilir:

- **İki eliniz de elektrikli alette olacak şekilde sıkıca kavrayın ve geri tepme kuvvetine direnmek için vücudunuzu ve kollarınızı konuşturun.** Eğer aletin yardımcı bir kolu varsa, sıçrama veya aletin çalıştığı anda reaksiyon momenti olması durumunda aleti daha iyi kontrol edebilmek için her zaman bu yardımcı kolu tutun. Sıçrama veya reaksiyon momenti olması durumunda aletinizi kontrol edebilmek için gerekli tedbirleri alın.
- **Sıçrama anında meydana gelebilecek her türlü ben desenli yaralanmayı önlemek için - Elinizi asla dönen aksesuarın yakınına koymayın** Elinizi yere Aksesuar olabilir komisyon.
- **Sıçrama halinde aletini fırlatılma riskinin olduğu bölgede durmayın.** Sıçrama olması durumunda, alet, diskin dönme yönünün aksi istikametine fırlatılır.
- **Özellikle köşelerde, keskin kenarlarda, vs çalışırken dikkatli olun.** Aksesuarı kaydırmamaya veya sıkıştırmamaya özen gösterin. Aksesuarı kaydırmamaya veya sıkıştırmamaya özen gösterin. köşelerde veya keskin kenarlarda çalışırken veya aleti kaydırırken, aksesuarın bloke olma riski ve dolayısıyla aletin kontrolünü kaybetme ve bir sıçramaya sebep olma riski daha fazladır.
- **Bir testere zinciri, odun oyma bıçağı, çevresel boşluğu 10 mm'den fazla olan parçalı bir elmas veya dişli bir testere bıçağı takmayın.** Bu tür bıçaklar sıçrama ve aletin kontrolünü kaybetme riskini artırmaktadır.

#### Taşlama ve kesme işlemlerine özel güvenlik uyarıları

- **Yalnızca elektrikli alet için belirtilen çark türlerini ve seçili çark için tasarlanmış özel muhafazayı kullanın.** Elektrikli alete uygun tasarlanmamış çarklar yeterince iyi kontrol edilemez ve güvenli değildir.
- **Bombeli disklerin taşlama yüzeyi, koruyucu kapağın düzleminin altına monte edilmelidir.** Koruyucu kapağın düzleminden dışarı uzanacak şekilde yanlış monte edilen disk, doğru şekilde korunamaz.
- **Koruma, elektrikli alete güvenli bir şekilde bağlanmalı ve maksimum güvenlik sağlayacak şekilde konumlandırılmalıdır, böylece operatör dişliye minimum miktarda maruz kalır.** Siper; operatörü kırık çark parçalarından, çarkla kazara temastan ve kıyafetleri tutuşturabilecek kıvılcımlardan korur.
- **Çarklar yalnızca belirtilen uygulamalar için kullanılmalıdır.** Örneğin, kesme dişlilerinin yanlarıyla taşlama yapmayın. Taşlama taşı kesici çarklar sadece çevresel taşlama işlemi için üretilmiştir, çarklara yanlardan uygulanacak basınç çarkın dağılmasına sebep olabilir.
- **Seçtiğiniz dişliniz için her zaman doğru boyutta ve şekilde zarar görmemiş dişli flanşları kullanın.**

Uygun dişli flanşları dişliye destekleyerek dişli kırılması olasılığını azaltırlar. Kesme dişlileri için flanşlar taşlama dişli flanşlarından farklı olabilir.

- **Daha büyük elektrikli aletlerin aşındırılmış dişlilerini kullanmayın.** Daha büyük elektrikli aletler için tasarlanan dişliler daha küçük bir aletin daha yüksek hızına uygun değildir ve patlayabilir.
- **Çift amaçlı çarklar kullanırken her zaman gerçekleştirilen uygulamaya yönelik doğru muhafazayı kullanın.** Doğru muhafazanın kullanılmaması istenen muhafaza seviyesini sağlamayabilir, bu da ciddi yaralanmalara neden olabilir.

#### Kesme işlemlerine yönelik ilave güvenlik uyarıları

- **Kesme çarkının sıkışmasına ya da çarka aşırı baskı uygulamaya dikkat edin.** Fazla derin kesmeye çalışmayın. Çarka aşırı baskı uygulamak, kesme sırasında çarkın yükü ile bükülme ya da sıkışmaya karşı hassasiyetini ve geri tepme ya da çarkın kırılma olasılığını artırır.
- **Gövdenizin pozisyonu dönen çarkla aynı doğrultuda ve arkasında olmasın.** İşlem esnasında çark gövdenizden uzaklaştığında, olası geri tepme kayan çarkı ve elektrikli aleti doğrudan size doğru itebilir.
- **Çarkın yapışması ya da kesme işleminin herhangi bir nedenle durdurulması halinde elektrikli aleti kapatın ve çark tamamen durana kadar hareketsiz tutun.** Kesme çarkını hareket halindeyken kesik yerden çıkarmaya çalışmayın, yoksa geri tepmeye neden olabilir. Eğer disk sıkılırsa, sebebini araştırın ve bunun yeniden olmaması için gerekli tedbirleri alın.
- **İş parçası üzerinde keme işlemini yeniden başlatmayın.** Çarkın tam hızına ulaşmasını bekleyin ve ardından kesik yere dikkatli bir şekilde tekrar girin. Elektrikli alet iş parçası üzerinde yeniden başlatıldığında çark sıkışabilir, yanaşabilir ya da geri tepebilir.
- **Çark sıkışması ya da geri tepme riskini en aza indirmek için panelleri ya da büyük boylardaki iş parçalarını destekleyin.** Büyük iş parçaları kendi ağırlıkları altında eğilip bükülebilmektedirler. Destekler iş parçasının altına çarkın her iki tarafına kesme hattının yanı sıra iş parçasının kenarına yerleştirilmelidir.
- **Duvar ya da dış duvarda "keserek delme" işlemi gerçekleştirilmezseniz çok dikkatli olun.** Çıktıntılı çark gaz ya da su borularını, elektrik kablolarını ya da nesnelere kesebilir ve bu geri tepmelere neden olabilir.
- **Kıvrımlı kesim yapmaya çalışmayın.** Çarkı aşırı germek yükü ve çarkın kesik içinde bükülme veya sıkışması ve geri tepmesi ve çarkın kırılması ihtimalini artırarak ciddi yaralanmalara neden olabilir.

#### İLAVE GÜVENLİK UYARILARI

- İş parçasını bir mengene ile sıkıştırın. Sabitlenmemiş parçalar ciddi yaralanmaya ve hasara sebep olabilir.
- Bir aletin uzun süre kullanılması nedeniyle yaralanmalar olabilir veya mevcut yaraların durumu kötüleşebilir. Herhangi bir aleti uzun bir süre boyunca kullanırken düzenli olarak aza vermez ihmal etmeyin.
- Alet için ortam sıcaklığı aralığı çalışma sırasında 0°C ile 40°C arasındadır.
- Alet için depolama ortam sıcaklığı aralığı 0°C ile 40°C arasındadır.
- Şarj sırasında şarj sistemi için önerilen ortam sıcaklığı aralığı 10°C ile 38°C arasındadır.

## PİL İÇİN EK GÜVENLİK UYARILARI

Bir kısa devreden kaynaklanan yangın, yaralanma veya ürün hasarları tehlikesini önlemek için aleti, güç paketini veya şarj cihazını asla sıvıların içine daldırmayınız ve cihazların ve pillerin içine sıvı girmesini önleyiniz. Tuzlu su, belirli kimyasallar, aşartıcı madde veya aşartıcı madde içeren ürünler gibi korozif veya iletken sıvılar kısa devreye neden olabilir.

- Batarya için ortam sıcaklığı aralığı çalışma sırasında 0°C ile 40°C arasındadır.
- Batarya için depolama ortam sıcaklığı aralığı 0°C ile 20°C arasındadır.

## LITYUM PİLLERİN NAKLİYESİ

Pili yerel ve ulusal hükümlere ve yönetmeliklere göre nakledin.

Piller üçüncü bir şahıs tarafından nakledilirken ambalaj ve etiket üzerindeki tüm özel gereksinimlere uyun. Açıktaki konektörleri iletken olmayan yalıtım başlıkları veya bandı ile koruyarak pillerin nakliye sırasında diğer pillerle veya iletken materyallerle temas etmediğinden emin olun. Çatlak veya sızıntı yapan pilleri nakletmeyin. Daha fazla bilgi için nakliye şirketine danışın.

## ÜRÜNÜZÜ TANIMIN

Sayfa 109 'ya bakın.

1. Pili bağlantı noktası
2. Tutamak, yalıtılmış kavrama yüzeyi
3. Mil kilitleme düğmesi
4. Yan tutamak
5. Koruyucu kol kilidi
6. Aletsiz taşıma muhafazası
7. Paletli anahtar
8. Kilitleme düğmesi
9. Dış kapak
10. Temizleme taşı
11. Kapak
12. Pinyon şaft
13. Kullanım kılavuzu
14. Kesme Diski
15. Aletsiz kesme muhafazası ataşmanı
16. Batarya kutusu
17. Şarj cihazı

## BAKIM

- Parçaları monte ederken, ayar, temizlik, bakım çalışması yaparken veya ürün kullanılmadığı zaman ürünü asla güç kaynağına bağlamayın. Aleti güç kaynağından çıkartmak, ciddi yaralanmalara yol açabilecek kazara çalıştırmayı önler.
- Bakım yaparken yalnızca orijinal yedek parçaları, aksesuarları ve parçaları kullanın. Diğer parçaları kullanmak tehlike yaratabilir ya da hasara neden olabilir.
- Asla fren hidroliğinin, benzinin, petrol esaslı ürünlerin, yüzeye işleyen yağların vb. plastik parçalarla temas etmesine izin vermeyin. Bu kimyasal ürünler plastik parçaları zara verebilir; kırabilir ya da bozabilir.
- Plastik parçaları temizlerken solventleri kullanmaktan kaçının. Plastiklerin çoğu ticari kullanımlı uçucu maddeler karşı hassastır. Lekeleri, tozu, vb. temizlemek için temiz bir bez kullanınız.
- Güvenliği ve güvenilirliği arttırmak için tüm onarım çalışmaları yetkili bir servis merkezi tarafından gerçekleştirilmelidir.

## SEMBOLLER



Güvenlik ikazı

n

Nominal hız

v

Volt



Doğru akım

min<sup>-1</sup>

Saniyede devir veya hareket sayısı



Makineyi çalıştırmadan talimatları dikkatlice okuyun.



Koruyucu kulaklık kullanın



Koruyucu gözlük kullanın



Toz maskesi kullanın.



Emniyet eldivenleri giyin



Kaymaz tabanlı emniyet ayakkabıları giyin.



Kırık, çatlak ya da arızalı taşıma çarkını kullanmayın



Kesim için kullanmayın.



Bir siper kullanın



Metal



Sulu taşılamaya uygun değildir. Su veya soğutma sıvısının kullanılması, elektrik çarpmasına veya buna bağlı ölümlere sebep olabilir.



Alın taşılama için kullanmayın.



Avrupa Uyumluluk İşareti



Britanya Uyumluluk İşareti



Ukrayna Uyumluluk İşareti

001



EurAsian Uyumluluk işareti



Atık elektrikli ürünler evsel atıklarla birlikte atılmamalıdır. Tesis bulunuyorsa lütfen geri dönüşüme verin. Geri dönüşümle ilgili tavsiye için Yerel Makamlarla veya bayi ile irtibat kurun.

#### KITAPÇIKTAKI SEMBOLLER



Not



Parçalar ya da aksesuarlar ayrı olarak satılır.



Kilit



Kilidi açma



Ürünü kapatın.



Kuvvet uygulamadan



Kuvvet uygulayarak

Στον σχεδιασμό του τροχιστικού μηχανήματός σας έχει δοθεί μέγιστη προτεραιότητα στην ασφάλεια, την απόδοση και την αξιοπιστία.

## ΠΡΟΟΡΙΖΟΜΕΝΗ ΧΡΗΣΗ

Το τροχιστικό μηχανήμα διατίθεται για χρήση μόνο από ενήλικες που έχουν διαβάσει και κατανοήσει τις οδηγίες και τις προειδοποιήσεις του παρόντος εγχειριδίου και μπορούν να θεωρηθούν υπεύθυνοι για τις πράξεις τους.

Το προϊόν έχει σχεδιαστεί για λείανση και κοπή μετάλλων και πετρωδών υλικών. Με το τροχιστικό μηχανήμα θα πρέπει να χρησιμοποιούνται μόνο οι κατάλληλοι δίσκοι τροχίσματος, όπως περιγράφεται στο τμήμα προδιαγραφών του προϊόντος στο παρόν εγχειριδίο.

Το εργαλείο προορίζεται μόνο για στεγνή χρήση. Μην χρησιμοποιείτε το προϊόν σε υγρές εφαρμογές.

Το προϊόν έχει σχεδιαστεί να χρησιμοποιείται με κράτημα στα χέρια. Το προϊόν δεν πρέπει να στερεώνεται σε πάγκο εργασίας.

Το εργαλείο προορίζεται μόνο για καταναλωτική χρήση.

Μην χρησιμοποιείτε το προϊόν με τρόπο διαφορετικό από αυτόν που αναφέρεται για τη χρήση του. Η χρήση του μηχανοκίνητου εργαλείου για εργασίες διαφορετικές από τις προοριζόμενες μπορεί να προκαλέσει κινδύνους.

**⚠ ΠΡΟΕΙΔΟΠΟΙΗΣΗ!** Διαβάστε προσεκτικά όλες τις προειδοποιήσεις, οδηγίες και προδιαγραφές που παρέχονται με το εργαλείο και ανατρέξτε στις εικόνες. Η μη τήρηση των ακόλουθων οδηγιών μπορεί να επιφέρει ατυχήματα όπως πυρκαγιές, ηλεκτροπληξίες ή και σοβαρό σωματικό τραυματισμό.

Φυλάσσετε όλες τις προειδοποιήσεις και οδηγίες για μελλοντική χρήση.

## ΣΥΣΤΑΣΕΙΣ ΑΣΦΑΛΕΙΑΣ ΓΙΑ ΤΟ ΓΩΝΙΑΚΟ ΤΡΟΧΟ

**ΠΡΟΕΙΔΟΠΟΙΗΣΕΙΣ ΑΣΦΑΛΕΙΑΣ ΚΟΙΝΕΣ ΓΙΑ ΤΡΟΧΙΣΜΑ Η ΕΡΓΑΣΙΕΣ ΑΠΟΚΟΠΗΣ.**

- Αυτό το ηλεκτρικό εργαλείο προορίζεται για εργασίες ακονίσματος ή αποκοπής. Διαβάστε προσεκτικά όλες τις προειδοποιήσεις, οδηγίες και προδιαγραφές που παρέχονται με το εργαλείο και ανατρέξτε στις εικόνες. Η μη τήρηση των ακόλουθων οδηγιών μπορεί να επιφέρει ατυχήματα όπως πυρκαγιές, ηλεκτροπληξίες ή και σοβαρό σωματικό τραυματισμό.
- Εργασίες, όπως λείανση, εργασία συρματόβουρτσας, στίλβωση ή διάτρηση δεν πρέπει να εκτελούνται με το παρόν ηλεκτρικό εργαλείο. Η μη τήρηση της σύστασης αυτής μπορεί να επιφέρει ατυχήματα και σοβαρό σωματικό τραυματισμό.
- Μην τροποποιείτε το παρόν ηλεκτρικό εργαλείο κατά τρόπο που δεν έχει σχεδιαστεί και προβλεφθεί από τον κατασκευαστή του. Σε αντίθετη περίπτωση, θα μπορούσε να προκληθεί απώλεια ελέγχου και σοβαρός τραυματισμός του χειριστή.
- Μην χρησιμοποιείτε εξαρτήματα που δεν είναι ειδικά σχεδιασμένα και καθορισμένα από τον

κατασκευαστή του εργαλείου. Ακόμα κι αν ένα αξεσουάρ μπορεί να τοποθετηθεί σε εργαλείο, αυτό δεν διασφαλίζει ότι μπορείτε να χρησιμοποιείτε το εργαλείο εκείνο με απόλυτη ασφάλεια.

- Η ονομαστική ταχύτητα του αξεσουάρ πρέπει να είναι ίση ή μεγαλύτερη από την μέγιστη ταχύτητα που αναγράφεται στο εργαλείο. Τα αξεσουάρ που λειτουργούν με ταχύτητα μεγαλύτερη από την ονομαστική ταχύτητα μπορεί να σπάσουν και να εκτιναχθούν.
- Η εξωτερική διάμετρος και το πάχος του αξεσουάρ πρέπει να αντιστοιχούν στα τεχνικά χαρακτηριστικά του εργαλείου. Όταν τα αξεσουάρ δεν αντιστοιχούν στα δεδομένα χαρακτηριστικά, δεν μπορούν να λειτουργήσουν σωστά τα συστήματα προστασίας και ρύθμισης του εργαλείου.
- Οι διαστάσεις του στηρίγματος του εργαλείου θα πρέπει να ταιριάζουν με τις διαστάσεις της διάταξης στερέωσης του εργαλείου. Αξεσουάρ που δεν ταιριάζουν με τον εξοπλισμό στερέωσης του ηλεκτρικού εργαλείου θα λειτουργούν εκτός ισορροπίας, με υπερβολικούς κραδασμούς και μπορεί να προκαλέσουν απώλεια ελέγχου.
- Μην χρησιμοποιείτε χαλασμένο αξεσουάρ. Πριν από κάθε χρήση, να βεβαιώνετε ότι είναι σε καλή κατάσταση το αξεσουάρ που χρησιμοποιείτε: να σιγουρεύεστε ότι οι λειαντικοί τροχοί δεν είναι φαγωμένοι ή ραγισμένοι, ότι τα πέλματα δεν είναι σχισμένα ή φθαρμένα, ότι οι τρίχες των μεταλλικών βουρτσών ότι οι τρίχες των μεταλλικών βουρτσών δεν είναι πολύ φθαρμένες ή σπασμένες. Σε περίπτωση πτώσης του εργαλείου ή του εξαρτήματος, βεβαιωθείτε ότι δεν έχει χαλάσει κανένα στοιχείο, και αν χρειαστεί, τοποθετήστε καινούργιο εξάρτημα. Αφού βεβαιωθείτε ότι το αξεσουάρ είναι σε καλή κατάσταση και αφού το τοποθετήσετε, κρατηθείτε σε απόσταση από το κινητό αξεσουάρ και αφήστε το εργαλείο να φθάσει στη μέγιστη ταχύτητά του για ένα λεπτό. Αν είναι χαλασμένο το αξεσουάρ, θα σπάσει κατά την δοκιμή.
- Να φοράτε μέσα ατομικής προστασίας. Ανάλογα με την χρήση του εργαλείου σας, φοράτε προστατευτική μάσκα, γυαλιά ασφαλείας ή προστατευτικά γυαλιά. Αν χρειαστεί, φορέστε μάσκα κατά της σκόνης, ωατοσπίδες, γάντια και προστατευτική ποδιά για να προφυλαχτείτε από οιαδήποτε εκτίναξη ξένων σωμάτων (λειαντικά στοιχεία, ροκανίδια κλπ). Τα προστατευτικά μπιών θα πρέπει να είναι κατάλληλα να εμποδίσουν τυχόν θραύσματα που μπορεί να πεταχτούν από τις διάφορες εφαρμογές. Η μάσκα σκόνης ή ο αναπνευστήρας θα πρέπει να είναι κατάλληλος να φιλτράρει σωματίδια που δημιουργούνται από την εκάστοτε εφαρμογή. Η παρατεταμένη έκθεση στο δυνατό θόρυβο μπορεί να προκαλέσει απώλεια της ακοής.
- Κρατάτε τους επισκέπτες σε αρκετή απόσταση από την ζώνη εργασίας και φροντίστε να φορούν προστατευτική εξοπλισμό. Κάθε άτομο που εισέρχεται στο χώρο εργασίας πρέπει να φορούν εξοπλισμό ατομικής προστασίας. Μπορεί να εκτιναχθούν θραύσματα κατεργαζόμενου τεμαχίου ή σπασμένου αξεσουάρ πέρα από την ζώνη εργασίας και



να προκαλέσουν σοβαρό σωματικό τραυματισμό.

- **Κρατάτε το εργαλείο μόνο από τα μονωμένα και αντιολισθητικά τμήματα όταν εργάζεστε σε επιφάνεια η οποία μπορεί να κρυβεί ηλεκτρικά καλώδια.** Η επαφή του εξαρτήματος κοπής με «ζωντανό» καλώδιο (ηλεκτροφόρο) μπορεί να μεταφέρει τον ηλεκτρισμό στα εκτεθειμένα μεταλλικά εξαρτήματα του εργαλείου, προκαλώντας ηλεκτροπληξία στον χειριστή.
- **Μην εναποθέτετε ποτέ το εργαλείο σας πριν σταματήσει τελείως το αξεσουάρ.** Το περιστρεφόμενο αξεσουάρ μπορεί να έλθει σε επαφή με την επιφάνεια στην οποία είναι τοποθετημένο και να σας κάνει να χάσετε τον έλεγχο του εργαλείου.
- **Μην βάζετε ποτέ το εργαλείο σας σε λειτουργία όταν το μεταφέρετε.** Το περιστρεφόμενο αξεσουάρ μπορεί να πιαστεί στα ρούχα σας και να σας τραυματίσει σοβαρά.
- **Καθαρίζετε τακτικά τις σχισμές αερισμού του εργαλείου.** Ο αερισμός του μοτέρ αφήνει να διεισδύουν σκόνες στο εσωτερικό του περιβλήματος μοτέρ, με αποτέλεσμα να δημιουργείται υπερβολική συσσώρευση μεταλλικών σωματιδίων με κίνδυνο την ηλεκτροπληξία.
- **Μην χρησιμοποιείτε το εργαλείο σας κοντά σε εύφλεκτα υλικά.** Οι σπινθίρες κινδυνεύουν να προκαλέσουν ανάφλεξη.
- **Μην χρησιμοποιείτε αξεσουάρ που χρειάζονται ψυκτικά ρευστά.** Η χρήση νερού ή ψυκτικών υγρών μπορεί να προκαλέσει ηλεκτροπληξία.

#### Επιστροφή και σχετικές ειδοποιήσεις

Το αναπήδημα είναι μια ξαφνική αντίδραση η οποία λαμβάνει χώρα όταν ο κινούμενος τροχός, το πέλμα, η βούρτσα ή οιοδήποτε άλλο αξεσουάρ μαγκώσει ή στρεβλώσει, με αποτέλεσμα το άμεσο μπλοκάρισμα του αξεσουάρ. Το εργαλείο, το οποίο συνεχίζει να λειτουργεί, εκκινάσει τότε το αξεσουάρ προς την αντίθετη κατεύθυνση από την φορά χρήσης του αξεσουάρ

Για παράδειγμα, αν ένας λειαντικός τροχός μαγκώσει ή στρεβλώσει μέσα στο κατεργαζόμενο τεμάχιο, η κόψη του τροχού κινδυνεύει να καρφώσει στην επιφάνεια του κατεργαζόμενου τεμαχίου, με αποτέλεσμα ο τροχός να βγει απότομα από το κατεργαζόμενο τεμάχιο ή να κάνει επιστροφή. Σε περίπτωση αναπήδηματος, ο λειαντικός τροχός μπορεί ακόμα και να σπάσει. Το αναπήδημα είναι συνεπώς το αποτέλεσμα λανθασμένης χρήσης του εργαλείου ή και λανθασμένων διαδικασιών ή συνθηκών κοπής.

Το αναπήδημα είναι συνεπώς το αποτέλεσμα λανθασμένης χρήσης του εργαλείου ή και λανθασμένων διαδικασιών ή συνθηκών κοπής. Μπορεί ωστόσο να αποφευχθεί τηρώντας ορισμένες προφυλάξεις:

- **Κρατήστε το εργαλείο σταθερά, με τα δύο χέρια στο πριόνι και τοποθετήστε το σώμα και τα μπράτσα σας έτσι ώστε να σας επιτρέπουν να αντισταθείτε σε τυχόν κλωστήματα.** Αν το εργαλείο διαθέτει βοηθητική λαβή, φροντίστε να την κρατάτε πάντα για να έχετε άριστο έλεγχο του εργαλείου σε περίπτωση αναπήδηματος ή ζεύγους αντίδρασης κατά την έναρξη λειτουργίας του εργαλείου. Παίρνετε

τα απαραίτητα μέτρα για να μπορείτε να ελέγχετε το εργαλείο σας σε περίπτωση αναπήδηματος ή ζεύγους αντίδρασης.

- **Μην βάζετε ποτέ το χέρι σας κοντά στο περιστρεφόμενο αξεσουάρ για να αποτρέψετε τον κίνδυνο σοβαρού σωματικού τραυματισμού σε περίπτωση αναπήδηματος.** Εξάρτημα μπορεί να κλωστήσει επάνω από το χέρι σας.
- **Μην στέκεστε μέσα στη ζώνη όπου κινδυνεύει να εκτιναχθεί το εργαλείο σε περίπτωση αναπήδηματος.** Σε περίπτωση αναπήδηματος, το εργαλείο εκτινάσσεται προς την αντίθετη κατεύθυνση από την φορά περιστροφής του τροχού.
- **Προσέχετε ιδιαίτερα όταν εργάζεστε σε γωνίες, κοφτερές άκρες κλπ. Φροντίζετε να μην σας πλαγιολισθήσει ή να σας μαγκώσει το αξεσουάρ.** Όταν εργάζεστε σε γωνίες ή κοφτερές άκρες ή όταν σας πλαγιολισθήσει το εργαλείο, ο κίνδυνος είναι πιο μεγάλος να μπλοκάρει το αξεσουάρ και να χάσετε τον έλεγχο του εργαλείου προκαλώντας αναπήδημα.
- **Μην τοποθετείτε αλυσσπρίονα, λεπίδες σκαλισματος ξύλου, τροχό διαμαντιού σε τμήματα με περιφερειακό κενό μεγαλύτερο από 10 mm ή οδοντωτές λεπίδες κόπτη.** Αυτού του είδους οι λάμες αυξάνουν τον κίνδυνο αναπήδηματος και απώλειας ελέγχου του εργαλείου.

#### Προειδοποιήσεις ασφαλείας για εργασίες ακονίσματος και αποκοπής

- **Χρησιμοποιήστε μόνο τους τύπους τροχών που καθορίζονται για το ηλεκτρικό σας εργαλείο και το ειδικό προστατευτικό που έχει σχεδιαστεί για τον επιλεγμένο τροχό.** Τροχό για τους οποίους δεν έχει σχεδιαστεί το εργαλείο, δεν προστατεύονται επαρκώς και δεν είναι ασφαλείς.
- **Η επιφάνεια τροχίσματος των κεντρικών πεπιεσμένων τροχών πρέπει να τοποθετείται κάτω από το επίπεδο του προστατευτικού πέλματος.** Αν ο τροχός δεν τοποθετηθεί σωστά και προεξέχει πέρα από το επίπεδο του προστατευτικού πέλματος, δεν θα παρέχεται κατάλληλη προστασία.
- **Το προστατευτικό πρέπει να βρίσκεται πάντα τοποθετημένο στο ηλεκτροκίνητο εργαλείο και στη σωστή θέση για μέγιστη ασφάλεια, έτσι ώστε να εκτίθεται όσο γίνεται μικρότερος βαθμός του τροχού προς τον χειριστή.** Τα προστατευτικά παρέχουν στον χειριστή προστασία από σπασμένα τεμάχια τροχού, τυχαία επαφή με τον τροχό και σπινθήρες που θα μπορούσαν να προκαλέσουν ανάφλεξη στα ρούχα.
- **Οι τροχοί πρέπει να χρησιμοποιούνται μόνο για συγκεκριμένες εφαρμογές.** Για παράδειγμα, μην εκτελείτε εργασίες ακονίσματος / λείανσης με την πλευρά του τροχού αποκοπής. Οι λειαντικοί τροχοί αποκοπής διατίθενται για περιφερειακό ακόνισμα - εάν ασκηθεί πλευρική πίεση σε αυτούς τους τροχούς ενδέχεται να θρυμματιστούν.
- **Χρησιμοποιείτε πάντα φλάντζες τροχών σε άριστη κατάσταση και με σωστό μέγεθος και σχήμα για τον επιλεγμένο τροχό.** Οι σωστές φλάντζες τροχών

στηρίζουν τον τροχό και μειώνουν την πιθανότητα σπασίματος του. Οι φλάντζες για τους τροχούς αποκοπής μπορεί να διαφέρουν από τις φλάντζες τροχών ακονίσματος.

- **Μην χρησιμοποιείτε φθαρμένους τροχούς από μεγαλύτερα ηλεκτροκίνητα εργαλεία.** Τροχοί για μεγαλύτερα ηλεκτροκίνητα εργαλεία δεν είναι κατάλληλοι για τις υψηλότερες ταχύτητες που αναπτύσσουν τα μικρότερα εργαλεία και ενδέχεται να σπασούν.
- **Κατά τη χρήση τροχών διπλής χρήσης, φροντίστε να χρησιμοποιείτε πάντα το σωστό προστατευτικό για την εργασία που εκτελείτε.** Σε αντίθετη περίπτωση, το προστατευτικό ίσως δεν παράσχει το επιθυμητό επίπεδο προστασίας πράγμα που μπορεί να οδηγήσει σε σοβαρό τραυματισμό.

#### **Επιπλέον προειδοποιήσεις ασφαλείας για εργασίες αποκοπής**

- **Μην "φρακάρετε" τον τροχό αποκοπής και μην ασκείτε υπερβολική πίεση. Μην προσπαθείτε να κάνετε υπερβολικά βαθιές κοπές.** Αν πιέσετε υπερβολικά τον τροχό, αυξάνεται το φορτίο και η πιθανότητα συστροφής ή πιασίματος του τροχού στην κοπή, μαζί με την πιθανότητα επιστροφής ή σπασίματος του τροχού.
- **Μην τοποθετείτε το σώμα σας στην ίδια σειρά με και πίσω από τον περιστρεφόμενο τροχό.** Όταν ο τροχός, στο σημείο λειτουργίας, μετακινείται μακριά από το σώμα σας, η πιθανή επιστροφή μπορεί να εκτινάξει τον περιστρεφόμενο τροχό μαζί με το εργαλείο κατευθείαν προς εσάς.
- **Όταν ο τροχός μαγκώνει ή όταν διακόπτεται η κοπή για οποιονδήποτε λόγο, απενεργοποιήστε το ηλεκτρικό εργαλείο και κρατήστε το ακίνητο μέχρι ο τροχός να σταματήσει εντελώς. Μην προσπαθείτε ποτέ να αφαιρέσετε τον τροχό αποκοπής από την κοπή όσο αυτός κινείται, διαφορετικά μπορεί να προκληθεί επιστροφή.** Αν ο δίσκος μαγκώσει, αναζητήστε την αιτία και λάβετε τα απαραίτητα μέτρα ούτως ώστε να μην επαναληφθεί.
- **Μην ξεκινάτε απ' την αρχή την εργασία κοπής στο τεμάχιο όπου εργάζεστε. Αφήστε τον τροχό να φτάσει στην πλήρη ταχύτητά του και κάντε προσεκτικά ξανά την κοπή.** Ο τροχός μπορεί να πιαστεί, να μετακινήσει ή να κάνει επιστροφή, αν γίνει νέα εκκίνηση του εργαλείου πάνω στο τεμάχιο.
- **Στηρίξτε πλαίσια ή ευμεγέθη τεμάχια για να ελαχιστοποιήσετε τον κίνδυνο πιασίματος του τροχού και επιστροφής.** Τα μεγάλα πλαίσια τείνουν να κρεμάνε από το βάρος τους. Τα υποστηρίγματα πρέπει να τοποθετηθούν κάτω από το τεμάχιο, κοντά στη γραμμή της κοπής και κοντά στην άκρη του τεμαχίου και στις δύο πλευρές του τροχού.
- **Προσέχετε ιδιαίτερα όταν κάνετε μία "κοπή θυλάκωσης" σε υπάρχοντα τοιχώματα ή άλλες περιοχές χωρίς ορατότητα.** Η προεξέχων τροχός μπορεί να κόψει αγωγούς αερίου ή νερού, ηλεκτρικά σύρματα ή αντικείμενα που μπορούν να προκαλέσουν επιστροφή.

- **Μην επιχειρήσετε να κάνετε καμπύλες κοπές.** Η υπερβολική πίεση του τροχού αυξάνει τη φόρτιση και την ευαισθησία στη στρέβλωση ή την εμπλοκή του τροχού κατά την κοπή καθώς και την πιθανότητα κλωστήματος ή θραύσης του τροχού, που μπορεί να οδηγήσει σε σοβαρό τραυματισμό.

#### **ΕΠΙΠΡΟΣΘΕΤΕΣ ΠΡΟΕΙΔΟΠΟΙΗΣΕΙΣ ΑΣΦΑΛΕΙΑΣ**

- Αγκιστρώστε το τεμάχιο με μια συσκευή συγκράτησης. Ελεύθερα τεμάχια εργασίας μπορούν να προκαλέσουν σοβαρό τραυματισμό και ζημιές.
- Υπάρχει κίνδυνος πρόκλησης ή επιδείνωσης τραυματισμού, από την παρατεταμένη χρήση εργαλείου. Όταν χρησιμοποιείτε το εργαλείο για μεγάλες περιόδους, κάνετε τακτικά διαλείμματα.
- Το εύρος θερμοκρασίας περιβάλλοντος για το εργαλείο στη διάρκεια της λειτουργίας είναι μεταξύ 0 °C και 40 °C.
- Το εύρος θερμοκρασίας περιβάλλοντος για το τη αποθήκευση του εργαλείου είναι μεταξύ 0 °C και 40 °C.
- Το συνιστώμενο εύρος θερμοκρασίας περιβάλλοντος για το σύστημα φόρτισης στη διάρκεια της φόρτισης είναι μεταξύ 10 °C και 38 °C.

#### **ΕΠΙΠΡΟΣΘΕΤΕΣ ΠΡΟΕΙΔΟΠΟΙΗΣΕΙΣ ΑΣΦΑΛΕΙΑΣ ΜΠΑΤΑΡΙΑΣ**

Για να αποτρέπεται τον κίνδυνο πυρκαγιάς λόγω βραχυκυκλώματος, τραυματισμούς ή ζημιές του προϊόντος, να μη βυθίζετε το εργαλείο, τον ανταλλακτικό συσσωρευτή ή τη συσκευή φόρτισης σε υγρά και να φροντίζετε, ώστε να μη διεισδύουν υγρά στις συσκευές και τους συσσωρευτές Διαβρωτικές ή αγώγιμες υγρές ουσίες, όπως αλατόνερο, ορισμένες χημικές ουσίες και λευκαντικά ή προϊόντα που περιέχουν λευκαντικά, μπορεί να προκαλέσουν βραχυκύκλωμα.

- Το εύρος θερμοκρασίας περιβάλλοντος για την μπαταρία στη διάρκεια της χρήσης είναι μεταξύ 0 °C και 40 °C.
- Το εύρος θερμοκρασίας περιβάλλοντος για την αποθήκευση της μπαταρίας είναι μεταξύ 0 °C και 20 °C.

#### **ΜΕΤΑΦΟΡΑ ΜΠΑΤΑΡΙΩΝ ΛΙΘΙΟΥ**

Μεταφέρετε τη μπαταρία σε συμφωνία με τις τοπικές εθνικές διατάξεις και τους κανονισμούς.

Τηρείτε όλες τις ειδικές απαιτήσεις στη συσκευασία και στην ετικέτα κατά τη μεταφορά των μπαταριών από τρίτους. Εξασφαλίζετε ότι δεν θα έρχονται σε επαφή οι μπαταρίες με άλλες μπαταρίες ή με αγώγιμα υλικά κατά τη διάρκεια της μεταφοράς, προστατεύοντας τους εκτεθειμένους συνδέσμους με μόνωση, μη αγώγιμα πώματα ή ταινία. Μη μεταφέρετε μπαταρίες που έχουν χτυπήματα ή διαρροή. Ενημερωθείτε από τη πρακτορείο μεταφορών για περαιτέρω ειδοποιήσεις.

#### **ΓΝΩΡΙΣΤΕ ΤΟ ΠΡΟΪΟΝ ΣΑΣ**

Βλέπε σελίδα 109.

1. Θύρα μπαταρίας
2. Λαβή, μονωμένη επιφάνεια λαβής

3. Πλήκτρο ασφάλισης του άξονα
4. Πλευρική λαβή
5. Κλειδώμα μοχλού προστατευτικού
6. Προστατευτικό ακονίσματος χωρίς εργαλείο
7. Διακόπτης πτερυγίου
8. Διακόπτης κλειδώματος ασφαλείας
9. Εξωτερική φλάντζα
10. Δίσκος φακρίσματος
11. Φλάντζα
12. Άξονας ατράκτου
13. Εγχειρίδιο χειριστή
14. Δίσκος κοπής
15. Εξάρτημα προστασίας κοπής χωρίς εργαλείο
16. Μπαταρία
17. Φορτιστής

### ΣΥΝΤΗΡΗΣΗ

- Το προϊόν δεν πρέπει ποτέ να συνδέεται σε παροχή ισχύος όταν συναρμολογείτε εξαρτήματα, όταν διεξάγετε ρυθμίσεις, καθαρισμό, συντήρηση ή όταν το προϊόν δε χρησιμοποιείται. Αποσυνδέοντας τη συσκευή από την παροχή ρεύματος προλαμβάνει την ακούσια ενεργοποίηση της η οποία μπορεί να επιφέρει σοβαρό τραυματισμό.
- Χρησιμοποιείτε μόνο αυθεντικά ανταλλακτικά, εξαρτήματα και προσαρτήματα στις εργασίες επισκευής. Η χρήση οποιουδήποτε άλλου ανταλλακτικού μπορεί να παρουσιάσει κίνδυνο ή να προκαλέσει ζημιά στο εργαλείο σας.
- Σε καμία περίπτωση μην επιτρέπετε τα υγρά φρένων, η βενζίνη, προϊόντα με βάση το πετρέλαιο, έλαια που διεισδύουν κλπ. να έρχονται σε επαφή με πλαστικά τμήματα. Αυτά τα χημικά προϊόντα περιέχουν ουσίες οι οποίες μπορούν να προσεξινήσουν ζημιά, να μειώσουν ή να καταστρέψουν το πλαστικό.
- Αποφύγετε τη χρήση διαλυτών κατά τον καθαρισμό πλαστικών εξαρτημάτων. Τα περισσότερα πλαστικά μπορούν να υποστούν ζημιά από τη χρήση ορισμένων διαλυτών που διατίθενται στο εμπόριο. Χρησιμοποιήστε ένα καθαρό πανάκι για να καθαρίσετε τις ακαθαρσίες, τη σκόνη, κλπ.
- Για μεγαλύτερη ασφάλεια και αξιοπιστία, όλες οι επισκευές πρέπει να διεξάγονται από ένα εξουσιοδοτημένο κέντρο σέρβις.

### ΣΥΜΒΟΛΑ



Προειδοποίηση ασφαλείας

n

Βαθμονομημένη ταχύτητα

V

Βλτ



Συνεχές ρεύμα

min<sup>-1</sup>

Αριθμός στρών ή κινήσεων ανά λεπτό



Παρακαλούμε διαβάστε τις οδηγίες προσεκτικά πριν ξεκινήσετε το μηχάνημα.



Φοράτε προστατευτικά αυτιά



Φοράτε προστατευτικά μαγιά



Φοράτε μάσκα προστασίας από πριονίδια/σωματίδια.



Φοράτε προστατευτικά γάντια



Φορέστε αντιολισθητικά παπούτσια ασφαλείας.



Μην χρησιμοποιείτε λειαντικούς τροχούς που έχουν ξεφλουδίσει, ραγίσει ή είναι ελαττωματικοί



Να μην χρησιμοποιείται για εργασίες κοπής



Χρησιμοποιείτε προστατευτικό



Μέταλλο



Ακατάλληλο για υγρό τρόχισμα. Η χρήση νερού ή ψυκτικών υγρών μπορεί να προκαλέσει ηλεκτροπληξία.



Μην χρησιμοποιείτε το εργαλείο για λείανση πρόσφυσης.



Ευρωπαϊκό σήμα συμμόρφωσης



Βρετανικό σήμα συμμόρφωσης



Ουκρανικό σήμα συμμόρφωσης



ΕυAsian σήμα πιστότητας



Τα ηλεκτρικά προϊόντα προς απόρριψη δεν θα πρέπει να απορρίπτονται μαζί με τα οικιακά απόβλητα. Παρακαλούμε ανακυκλώστε όπου υπάρχουν οι αντίστοιχες εγκαταστάσεις. Μιλήστε με τις τοπικές αρχές ή τον πωλητή για να σας ενημερώσουν σχετικά με τα προγράμματα ανακύκλωσης.

## ΣΥΜΒΟΛΑ ΣΤΟ ΕΓΧΕΙΡΙΔΙΟ



Σημείωση



Ανταλλακτικά και εξαρτήματα πωλούνται χωριστά



Κλειδωμα



Ξεκλειδωμα



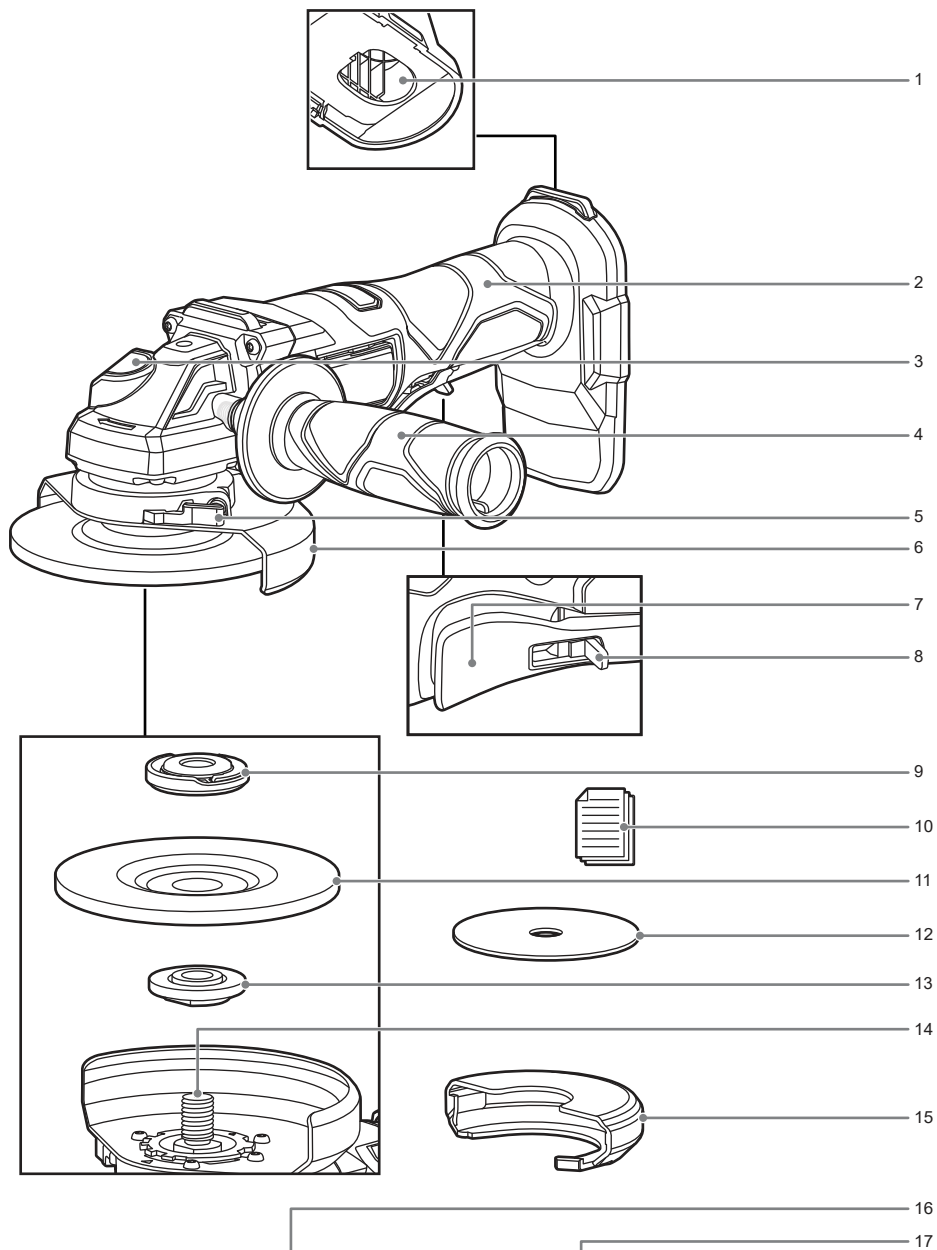
Σταματήστε το προϊόν.

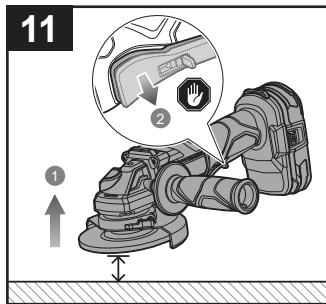
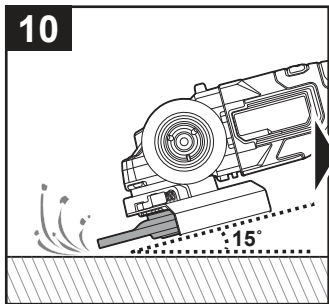
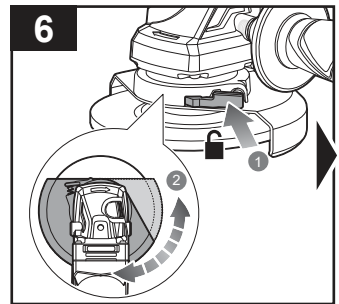
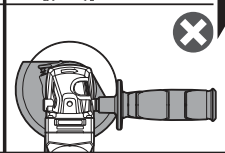
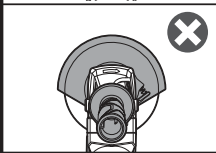
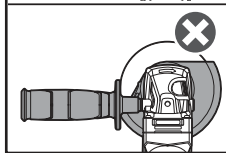
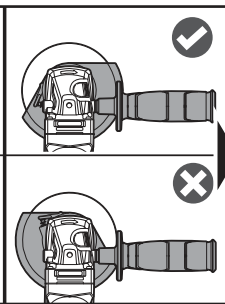
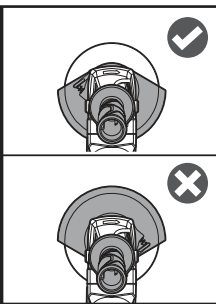
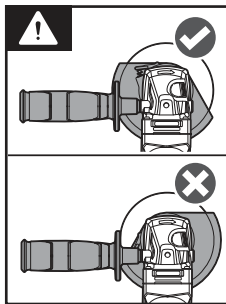
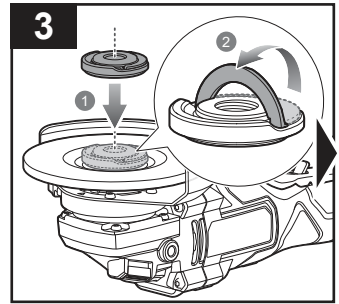
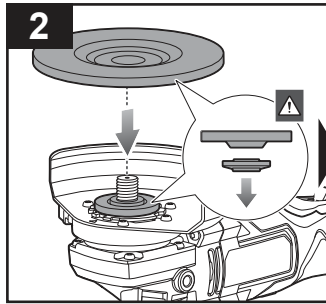
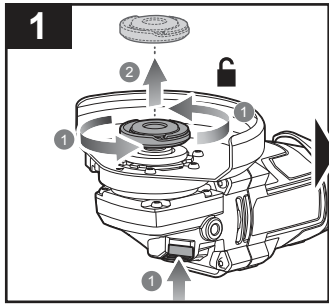


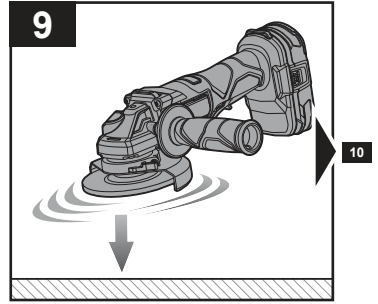
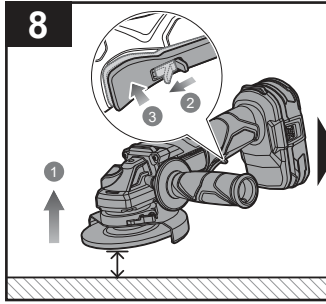
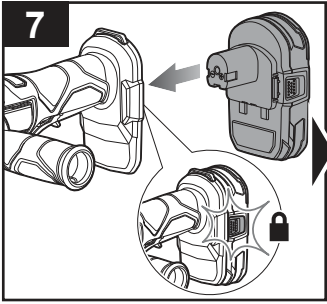
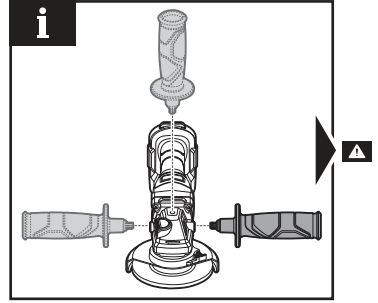
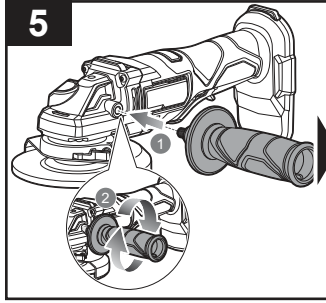
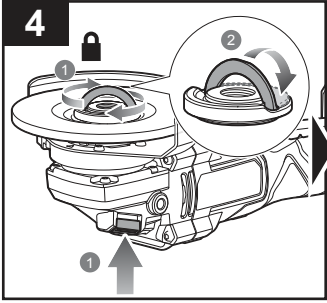
Χωρίς δύναμη

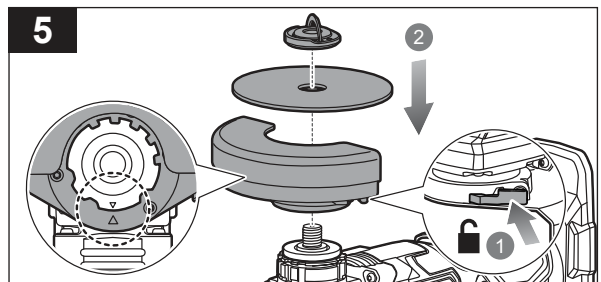
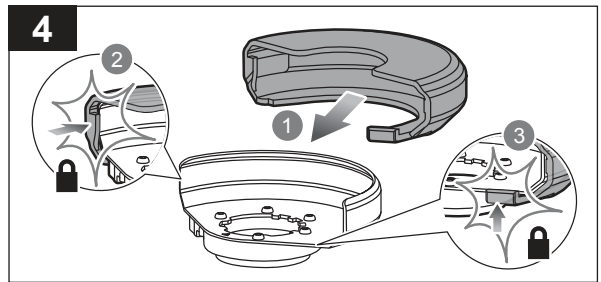
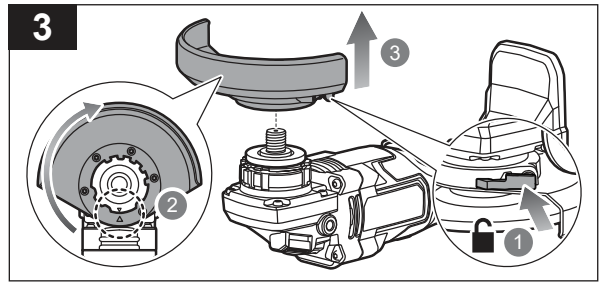
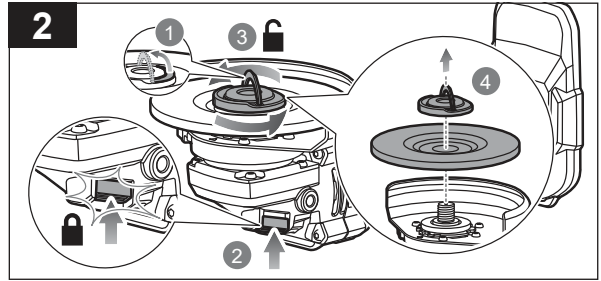
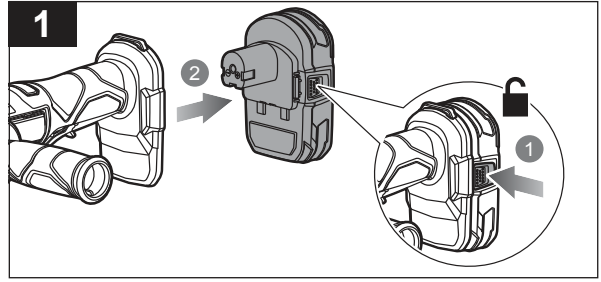
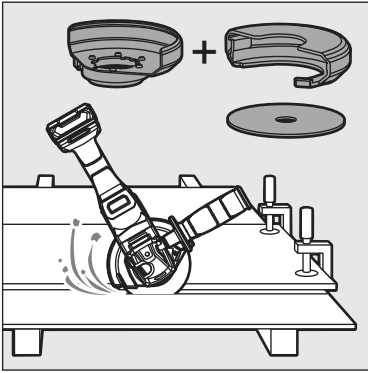


Με δύναμη

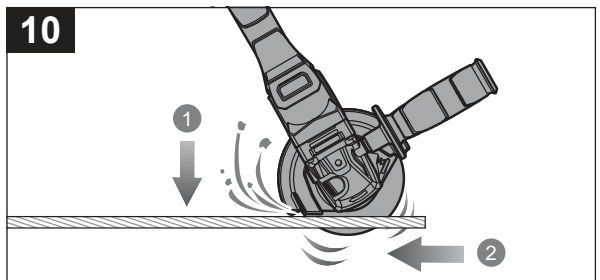
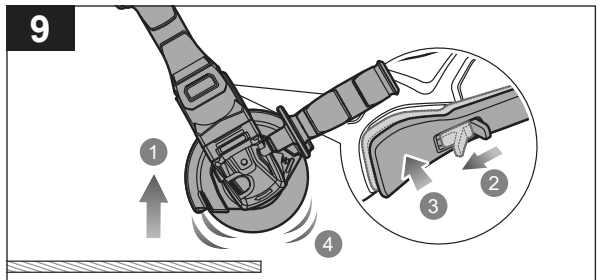
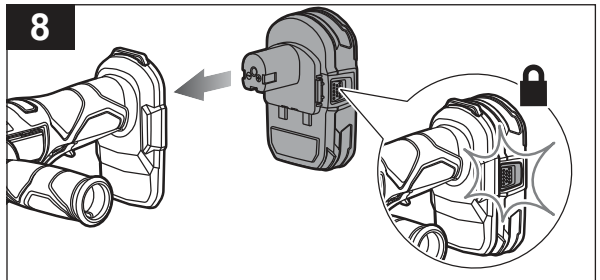
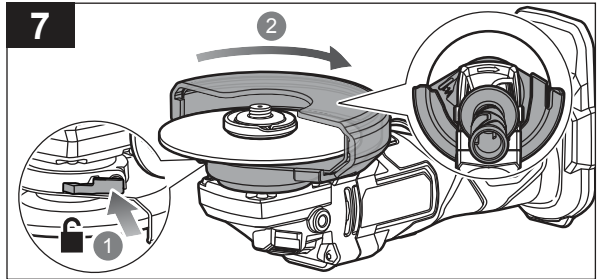
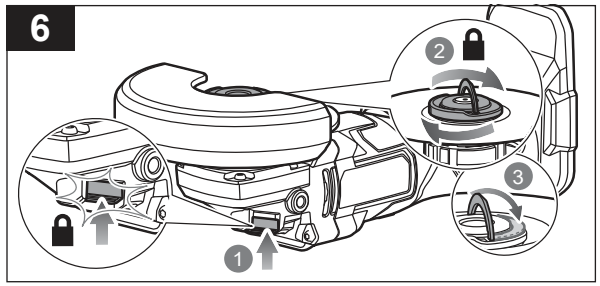


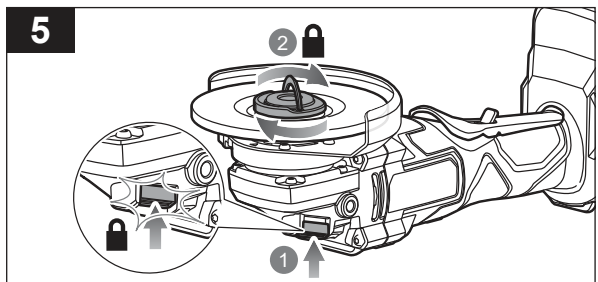
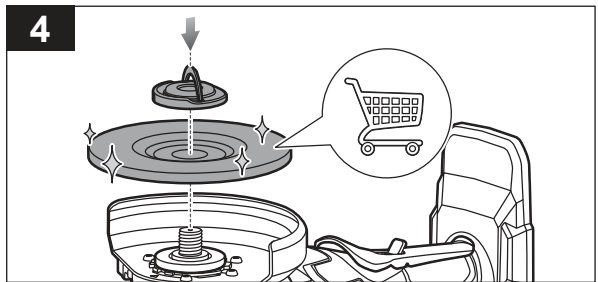
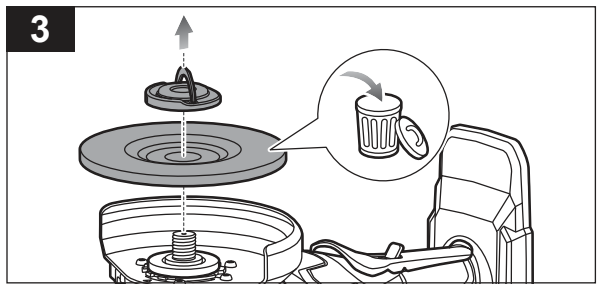
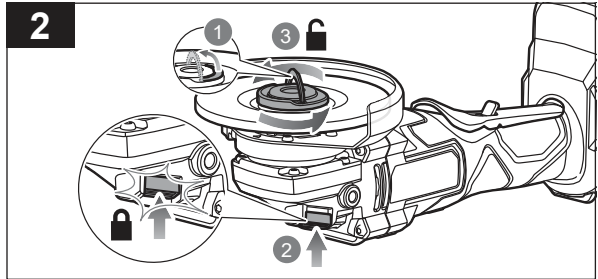
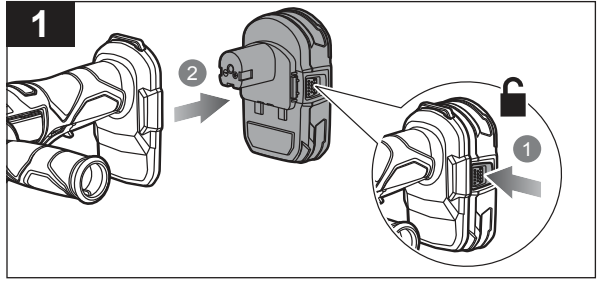
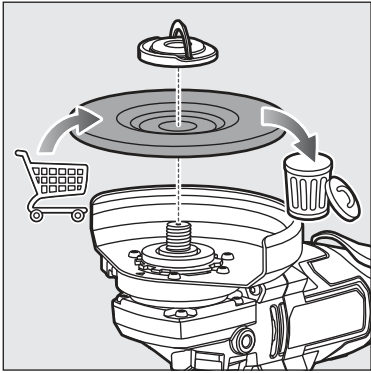












English	Français	Deutsch	Español	Italiano	Nederlands	Português	
<b>Battery and charger</b>	<b>Batterie et chargeur</b>	<b>Akku und Ladegerät</b>	<b>Batería y cargador</b>	<b>Batteria e caricatore</b>	<b>Accu en lader</b>	<b>Bateria e carregador</b>	
Compatible battery pack (not included)	Pack batterie compatible (non compris)	Kompatible Akkus (nicht im Lieferumfang enthalten)	Packs de Batería compatibles (no incluido)	Gruppo batterie compatibile (non incluso)	Compatibel accupack (niet inbegrepen)	Baterias compatíveis (não incluída)	
Lithium-Ion	Lithium-Ion	Lithium-Ionen	Ión-lítio	Ioni di litio	Lithium-ion	lão-Lítio	RB18..
Compatible charger (not included)	Chargeur compatible (non compris)	Kompatibles Ladegerät (nicht im Lieferumfang enthalten)	Cargador compatible (no incluido)	Caricatore compatibile (non incluso)	Compatibele oplader (niet inbegrepen)	Carregador compatível (não incluída)	BCL1418..H RC18..

Dansk	Svenska	Suomi	Norsk	Русский	Polski	Čeština	
<b>Akumulator i ladowarka</b>	<b>Batteri og oplader</b>	<b>Batteri och laddare</b>	<b>Akku ja laturi</b>	<b>Batteri og lader</b>	<b>Akumulator i ladowarka</b>	<b>Baterie a nabíječka</b>	
Pasujące akumulatory (nie dołączona)	Kompatibelt batteri (medfølger ikke)	Kompatibelt batteripack (inte inkluderat)	Yhteensopiva akku (ei mukana)	Kompatible batteripakker (ikke inkludert)	Pasujące akumulatory (nie dołączona)	Kompatibilní akumulator (nepřibalen)	
Li-Ion	Lithium-ion	Litiumjon	Litiumioni	Litium-ion	Li-Ion	Lithium iontový akumulator	RB18..
Odpowiednia ladowarka (nie dołączona)	Kompatibel oplader (medfølger ikke)	Passande laddare (inte inkluderat)	Yhteensopiva laturi (ei mukana)	Kompatibel lader (ikke inkludert)	Odpowiednia ladowarka (nie dołączona)	Kompatibilní nabíječka (nepřibalen)	BCL1418..H RC18..

Magyar	Română	Latviski	Lietuviškai	Eesti	Hrvatski	
<b>Akkumulátor és töltő</b>	<b>Baterie și încărcător</b>	<b>Akumulators un lādētājs</b>	<b>Baterija ir įkroviklis</b>	<b>Aku ja laadija</b>	<b>Baterija i punjač</b>	
Kompatibilis akkumulátor (nem tartozék)	Acumulatori compatibili (neinclus)	Saderīgu akumulatoru komplekts (nav kompl.)	Suderinamas baterijos paketas (nepriedama)	Ühilduvad akupaketid (ei ole komplektis)	Kompatibilno pakiranje baterija (nije uključeno)	
Litiumion	Litiu-Ion	Litij-jonu	Litis-jonas	Liitiumioon	Litij-ion	RB18..
Kompatibilis töltő (nem tartozék)	Încărcător compatibil (neinclus)	Saderīgs lādētājs (nav kompl.)	Tinkamas įkroviklis (nepriedama)	Kasutatav laadija (ei ole komplektis)	Kompatibilni punjač (nije uključeno)	BCL1418..H RC18..

Slovensko	Slovenčina	България	Українська мова	Türkçe	Ελληνικά	
<b>Baterija in polnilnik</b>	<b>Akkumulátor a nabíjačka</b>	<b>Батерия и зарядно устройство</b>	<b>Акумулятор і зарядний пристрій</b>	<b>Batarya ve şarj aleti</b>	<b>Μπαταρία και φορτιστής</b>	
Zdržljive baterije (ni priložen)	Kompatibilná jednotka akumulatorov (nie je súčasťou balenia)	Съвместима акумулаторна батерия (не е включена в комплекта)	Сумісний акумулятор (не входить в комплект)	Uyumlu pil takımı (dahil değildir)	Συμβατή μπαταρία (δεν περιλαμβάνεται)	
Litij-ionska	Litium-iónová	Литиево-ионна	Літій-іонний	Lityum-lyon	Λιθίου-Ιόντιων	RB18..
Zdržljiv polnilec (ni priložen)	Kompatibilná nabíjačka (nie je súčasťou balenia)	Съвместимо зарядно устройство (Не е включено)	Сумісний зарядний пристрій (не входить в комплект)	Uyumlu şarj cihazı (dahil değildir)	Συμβατος φορτιστης (δεν περιλαμβάνεται)	BCL1418..H RC18..

English	Français	Deutsch	Español	Italiano	Nederlands	Português
<b>Product specifications</b>	<b>Caractéristiques de l'appareil</b>	<b>Produkt-Spezifikationen</b>	<b>Especificaciones del producto</b>	<b>Specifiche prodotto</b>	<b>Productspecificaties</b>	<b>Especificações do produto</b>
Angle Grinder	Meuleuse d'angle	Winkelschleifer	Rebarbadora	Smerigliatrice angolare	Haakse slijpmachine	Afiadora angular
Model	Numéro de modèle	Modell	Marca	Marca	Merk	Marca
Voltage	Tension	Spannung	Tensión	Voltaggio	Spanning	Voltagem
Rated speed	Vitesse nominale	Nennrehzahl	Velocidad nominal	Velocità nominale	Nominaal toerental	Velocidade Nominal
Spindle thread	Filetage de l'arbre	Gewinde der Welle	Roscado del árbol	Filettatura dell'albero	Schroefdraad van as	Rosca do eixo
Grinding wheel capacity	Capacité de la meule	Max. Schleifscheiben-durchmesser	Capacidad de la rueda de esmeril	Capacità di smerigliatura ruota	Slijpwielvormogen	Capacidade da mó
Thickness of grinding wheel	Épaisseur de la meule	Dicke der Schleifscheibe	Grosor de la rueda de esmeril	Spessore ruota di smerigliatura	Dikte van het slijpwiël	Espessura da mó
Inner diameter of the wheel	Diamètre intérieur de la meule	Innendurchmesser der Schleifscheibe	Diámetro interior de la muela	Diametro della mola interna	Binnendiameter, Wiel	Diâmetro interior da roda
Cutting disc capacity	Capacité du disque de coupe	Kapazität der Trennscheibe	Capacidad del disco de corte	Capacità del disco di taglio	Capaciteit snijschijf	Capacidade do disco de corte
Thickness of cutting disc	Épaisseur du disque de coupe	Stärke der Trennscheibe	Grosor del disco de corte	Spessore del disco di taglio	Dikte van snijschijf	Espessura do disco de corte
Weight - excluding battery pack	Poids - sans batterie	Gewicht - ohne Akkupack	Peso - Excluyendo conjunto de batería	Peso - Senza gruppo batteria	Gewicht - exclusief accupack	Peso - excluindo conjunto de bateria
Weight According to EPTA-Procedure 01/2014	Poids Selon la procédure EPTA 01/2014	Gewicht Gemäß EPTA-Verfahren 01/2014	Peso Según el procedimiento EPTA 01/2014	Peso Secondo quanto indicato dalla EPTA-Procedure 01/2014	Gewicht Overeenkomstig de EPTA-procedure 01/2014	Peso De acordo com o Procedimento EPTA 01/2014

Čeština	Magyar	Română	Latviski	Lietuviškai	Eesti	Hrvatski
<b>Technické údaje produktu</b>	<b>Termék műszaki adatai</b>	<b>Specificațiile produsului</b>	<b>Produkta specifikācijas</b>	<b>Gaminio techninės savybės</b>	<b>Toote tehnilised andmed</b>	<b>Specifikacije proizvoda</b>
Ruční rozbrušovačka	Sarokcsiszoló	Polizor unghiular	Leņķa slīpmašīna	Kampinis šlifuoklus	Ketaslõikur	Kutna brusilica
Značka	Márka	Număr serie	Modeļa numurs	Prekės ženklas	Mark	Marka
Elektrické napětí	Feszültség	Tensiune	Spriegums	Ītampa	Pinge	Napon
Jmenovitá rychlost	Névleges fordulatszám	Turație/viteză nominală	Nominālais ātrums	Nominalus greitis	Nimikiirus	Nazivna brzina
Závit na vířetenu	Tengely csavarmentet	Filetul axului motor	Vārpstas vītne	Veleno sriegis	Spindli keere	Navoj osovine
Kapacita brusného kotouče	Csiszolókorong kapacitása	Randament disc de șlefuire	Sļīpēšanas diska dziļums	Šlifavimo disko galia	Lihvketta läbimõõt	Kapacitet brusne ploče
Sila brusného kotouče	Csiszolókorong vastagsága	Grosimea discului de șlefuire	Sļīpēšanas diska biezums	Šlifavimo disko storis	Lihvketta paksus	Debljina brusne ploče
Vnitřní průměr brusného kotouče	Korong belső átmérője	Diametru interior al roatăi	Diska iekšējais diametrs	Disko disko vidinis skersmuo	Ketta sisemine läbimõõt	Unutarnji promjer kotača
Kapacita rozbrušovaciho kotouče	Vágólemez-kapacitás	Capacitatea discului de tăiere	Griešanas diska jauda	Pjovimo disko pajėgumas	Lõikeketta lõikevõime	Kapacitet reznog diska
Tloušťka rozbrušovaciho kotouče	Vágólemez vastagsága	Grosimea discului de tăiere	Griešanas diska biezums	Pjovimo disko storis	Lõikeketta paksus	Debljina reznog diska
Hmotnost - bez baterie	Tömeg - akkumulátor nélkül	Greutate - exclusiv acumulatorul	Svars - izņemot akumulatora iepakojumu	Svoris - neįskaitant baterijos paketo	Mass - välja arvatud akupakett	Težina - baterija nije uključena
Hmotnost Die protokolu EPTA 01/2014	Tömeg A 01/2014 EPTA-eljárás szerint	Greutate În conformitate cu Procedura EPTA din 01/2014	Svars Saskaņā ar EPTA procedūru 01/2014	Svoris Pagal Europos elektrinių įrankių asociacijos (EPTA) nustatytą tvarką 01/2014	Mass Vastavalet EPTA-protsedeuurile 01/2014	Težina Prema EPTA-postupku 01/2014

Dansk	Svenska	Suomi	Norsk	Русский	Polski	
Produktspecifikationer	Produktspecifikationer	Tuotteen tekniset tiedot	Produktspecificasjoner	Характеристики изделия	Parametry techniczne	
Vinkelsliber	Vinkelslip	Kulmahiomakone	Vinkelsliper	Угловая шлифовальная машина	Szlifierka kątowa	
Brand	Modellnummer	Mallinnumero	Merke	Марка	Numer modelu	RAG18X
Spænding	Spänning	Jännite	Spenning	Напряжение	Napięcie	18 V
Mærkehastighed	Hastighet	Nimellisnopeus	Nominell hastighet	Номинальная скорость	Prędkość znamionowa	8000-9200 min <sup>-1</sup>
Akselgevind	Axelgångning	Akselin kierteitys	Spindelgjenge	Резьба шпинделя	Gwint wrzeciona	M14
Slibeskivekapacitet	Slipskivans kapacitet	Hiomalaikan kapasiteetti	Slipehjulets kapasitet	Диаметр шлифовального диска	Średnica tarczy	125 mm
Slibeskivens tykkelse	Slipskivans tjocklek.	Hiomalaikan paksuus	Tykkelse på slipehjul	Толщина шлифовального диска	Grubość tarczy	6 mm
Indvendig diameter, Hjul	Hjul inre diameter	Hiomalaikan sisäläpimitta	Hjul innvendige diameter	Внутренний диаметр колеса	Średnica wewnętrzna tarczy	22.2 mm
Skæreskivens ydeevne	Kapskivans kapacitet	Katkaisulaikan kapasiteetti	Kappeskivens kapasitet	Производительность режущего круга	Średnica tarczy tnącej	125 mm
Skæreskivens tykkelse	Kapskivans tjocklek	Katkaisulaikan paksuus	Kappeskivens tykkelse	Толщина режущего круга	Grubość tarczy tnącej	1,5 mm
Vægt - Batteri medfølger ikke	Vikt - Batteri medfølger ej	Paino - ilman akkua	Vekt - uten batteripakke	Вес - без аккумуляторной батареи	Waga - bez akumulatora	2,15 kg
Vægt i henhold til EPTA-procedure 01/2014	Vikt Enligt EPTA 01/2014	Paino EPTA-menetelmän 01/2014 mukaan	Vekt i henhold til EPTA-prosedyre 01/2014	Вес Соответствует требованиям EPTA-Procedure 01/2014	Waga Zgodnie z procedurą EPTA 01/2014	0,42 kg(1.3 Ah) – 1,20 kg(9.0Ah)

Slovensko	Slovenčina	България	Українська мова	Türkçe	Ελληνικά	
Specifikacije izdelka	Špecifikácie produktu	Технически характеристики	Технічні характеристики продукту	Ürün Özellikleri	Προδιαγραφές Προϊόντος	
Kotni brusilnik	Uhlová rozbrusovačka	Ъглошлайф	Кутова шліфувальна машина	Açılı taşlama makinesi	Γωνιακός τροχός	
Znamka	Značka	Модел	Модель	Marka	Μάρκα	RAG18X
Napetost	Napätie	Напряжение	Напруга	Gerilim	Τάση	18 V
Nazivna hitrost	Menovitá rýchlosť	Номинална скорост	Номинальна швидкість	Nominal hız	Βοθονομημένη ταχύτητα	8000-9200 min <sup>-1</sup>
Navoj vretena	Závit vretena	Резба на шпиндела	Різь шпинделя	Mil dişleri	Σπείρωμα του άξονα	M14
Zmogljivost brusilnega koluta	Kapacita brúsneho kotúča	Капацитет на шлифовъчен диск	Робоча здатність шліфувального диску	Taşlama çarkı kapasitesi	Δυναμικό λειαντικού τροχού	125 mm
Debelina brusilnega koluta	Hrúbka brúsneho kotúča	Дебелина на шлифовъчен диск	Товщина шліфувального диску	Taşlama çarkının kalınlığı	Πάχος λειαντικού τροχού	6 mm
Notranji premer koluta	Vnútrový priemer kotúča	Вътрешен диаметър на шлифовъчен диск	Внутрішній діаметр диску	Tekerlek iç çapı	Εσωτερική διάμετρος δίσκου	22,2 mm
Zmogljivost rezalnega diska	Kapacita rezného kotúča	Капацитет на режещия диск	Об'єм різального диску	Kesme diski kapasitesi	Δυνατότητα δίσκου κοπής	125 mm
Debelina rezalnega diska	Hrúbka rezného kotúča	Дебелина на режещия диск	Товщина різального диску	Kesme diskinin kalınlığı	Πάχος δίσκου κοπής	1,5 mm
Teža - razen baterij	Hmotnosť - okrem jednotky akumulátora	Тегло - без батерията	Вага - без акумулатора	Ağırlık - Harici batarya takımı	Βάρος - χωρίς μπαταρία	2,15 kg
Teža Skladno s postopkom EPTA 01/2014	Hmotnosť Podľa EPTA-Procedure 01/2014	Тегло (съответствие с EPTA 01/2014)	Вага (відповідно до процедури EPTA 01/2014)	Ağırlık EPTA-Prosedürü 01/2014'e göre	Βάρος Σύμφωνα με την Διαδικασία EPTA 01/2014	0,42 kg(1.3 Ah) – 1,20 kg(9.0Ah)

English	Français	Deutsch	Español	Italiano	Nederlands	Português
<b>Product specifications</b>	<b>Caractéristiques de l'appareil</b>	<b>Produkt-Spezifikationen</b>	<b>Especificaciones del producto</b>	<b>Specifiche prodotto</b>	<b>Productspecificaties</b>	<b>Especificações do produto</b>
Measured sound values determined according to EN 60745:	Valeurs du son mesuré déterminées selon EN 60745:	Gemäß EN 60745: gemessene Schallwerte	Valores medidos del sonido en función de la norma EN 60745:	Valori del suono misurati determinati secondo lo standard EN 60745:	Gemeten geluidswaarden bepaald in overeenstemming met EN 60745:	Valores medidos do som em função da norma EN 60745:
A-weighted sound pressure level	Niveau de pression sonore pondéré-A	A-bewerteter Schalldruckpegel	Nivel de presión acústica ponderada en A	Livello di pressione sonora pesato A	A-gewogen geluidsdrukniveau	Nível de pressão sonora ponderada A
Uncertainty K	Incertitude K	Unsicherheit K	Incetidumbre K	Incetezza K	Onzekerheid K	Inceteza K
A-weighted sound power level	Niveau de puissance sonore pondéré-A	A-bewerteter Schalleistungspegel	Nivel de potencia acústica ponderada en A	Livello di potenza sonora pesato A	A-gewogen geluidsniveau	Nível de potência sonora ponderada A
Uncertainty K	Incertitude K	Unsicherheit K	Incetidumbre K	Incetezza K	Onzekerheid K	Inceteza K
Wear ear protectors.	Portez une protection acoustique.	Tragen Sie Gehörschutz.	Utilice protección auditiva!	Indossare protezioni acustiche adeguate.	Draag oorbeschermers.	Sempre use a protecção dos ouvidos.
The vibration total values (triaxial vector sum) determined according to EN 60745:	La valeur totale des vibrations (somme vectorielle triaxiale) déterminée selon EN60745:	Die Vibrationsgesamtwerte (dreiaxiale Vektorsumme) ermittelt nach EN60745:	Los valores de vibración total (suma vectorial triaxial), determinado según la norma EN60745:	I valori totali delle vibrazioni (somma vettore triassiale) sono misurati conformemente alla norma EN60745:	De totale trillingswaarden (triaxiale vectorsom) vastgesteld in overeenstemming met EN60745:	Os valores totais de vibração (Soma vectorial triaxial) foram determinados de acordo com a norma EN 60745:
Surface grinding	Meulage en surface	Flachscheifen	Tratamiento de superficies	Superficie di molatura	Vlakslijpen	Tratamento de superficies
Uncertainty K	Incetidumbre K	Unsicherheit K	Incetidumbre K	Incetezza K	Onzekerheid K	Inceteza K

Čeština	Magyar	Română	Latviski	Lietuviškai	Eesti	Hrvatski
<b>Technické údaje produktu</b>	<b>Termék műszaki adatai</b>	<b>Specificațiile produsului</b>	<b>Produkta specifikācijas</b>	<b>Gaminio techninės savybės</b>	<b>Toote tehnilised andmed</b>	<b>Specifikacije proizvoda</b>
Naměřené hodnoty hluku zjištěné dle EN 60745:	A hang értékek meghatározása az EN 60745: szerinti történet.	Valori de sunet măsurate determinate în conformitate cu EN 60745:	Izmērītās skaņas vērtības ir noteiktas saskaņā ar EN 60745:	Išmatuotos garso vertės nustatytos pagal EN 60745:	Mõõteväärtused on kindlaks määratud vastavalt standardile EN 60745:	Mjerena vrijednost zvuka određena je prema EN 60745:
Hladina akustického tlaku vážená funkcí A	A-súlyozott hangnyomásszint	Nivel de presiune acustică ponderată A	A-līmeņa skaņas spiediena līmenis	A svertinis garso slėgio lygis	A-kaalutud helirõhu tase	Ponderirana razina tlaka zvuka
Nejistota K	Bizonytalanság K	Incetitudine K	kļūdas vērtība K	Nepastovumas K	mõõtemääramatus K	neodređenost K
Hladina akustického výkonu vážená funkcí A	A-súlyozott hangteljesítményszint	Nivel de putere acustică ponderată A	A-līmeņa skaņas jaudas līmenis	A svertinis garso galios lygis	A-kaalutud helivõimsuse tase	Ponderirana razina zvučne snage
Nejistota K	Bizonytalanság K	Incetitudine K	kļūdas vērtība K	Nepastovumas K	mõõtemääramatus K	neodređenost K
Používejte chrániče sluchu.	Viseljen hallásvédőt.	Purtați aparatoare de urechi.	Lietojiet dzirdes aizsargus.	Naudokite ausų apsaugos priemonės.	Kasutage kuulmiskaitsevahendeid.	Nosite štitnike za uši.
Celkové hodnoty vibrací (Trojosy vektorový součet) určené v souladu s EN60745:	Vibráció teljes értékei (háromtengelyű vektorösszeg), az EN 60745 szerinti meghatározva:	Valorile totale ale vibrațiilor (sumă vectorială) au fost determinate conform EN60745:	Vibrāciju kopējās vērtības (triaksiālā vektoru summa) tiek noteiktas atbilstoši EN60745:	Bendros vibracijos vertės (triasiūlis vektorinis suma) nustatomos pagal EN60745:	Vibratsiooni koguväärtused (kolme suuna vektorsumma) on vastavalt standardile EN 60745 määratud järgmiselt:	Ponderirana energetska vrijednost Ukupne vrijednosti vibracija (troosovinski vektorski zbroj) određuju se u skladu s EN60745:
Broušení povrchu	Felület csiszolása	Șlefuire la suprafață	Vīrsmas slīpēšana	Paviršiaus šlifavimas	Pinna lihvimine	Površina brušenja
Nejistota K	Bizonytalanság K	Incetitudine K	kļūdas vērtība K	Nepastovumas K	Mõõtemääramatus K	Neodređenost K

Dansk	Svenska	Suomi	Norsk	Русский	Polski	
<b>Produktspecifikationer</b>	<b>Produktspecifikationer</b>	<b>Tuotteen tekniset tiedot</b>	<b>Produktspesifikasjoner</b>	<b>Характеристики изделия</b>	<b>Parametry techniczne</b>	
Målte lydverdier bestemt iht. EN 60745:	Uppmätta ljudvärden enligt EN 60745:	Mitatut arvot määritetty EN 60745: standardin mukaan:	Målte lydverdier bestemt iht. EN 60745:	Измеренные значения параметров звука определены в соответствии с EN 60745:	Zmierzone wartości akustyczne zgodnie z normą EN 60745:	
A-vægtet lydtryksniveau	A-vägd ljudtrycksnivå	A-painotettu äänenpainetaso	A-vektet lydtrykknivå	Уровень A-взвешенного звукового давления	A-ważony poziom ciśnienia hałasu	$L_p = 78,0 \text{ dB(A)}$
Usikkerhed K	Osäkerhet K	Epätarkkuus K	Usikkerhet K	Разброс K	Nierówność pomiaru K	3 dB(A)
A-vægtet lydeffektniveau	A-vägd ljudeffektnivå	A-painotettu ääneneteho	A-vektet lydeffektnivå	Уровень A-взвешенной звуковой мощности	A-ważony poziom mocy akustycznej	$L_W = 89,0 \text{ dB(A)}$
Usikkerhed K	Osäkerhet K	epätarkkuus K	Usikkerhet K	Разброс K	Nierówność pomiaru K	3 dB(A)
Bær høreværn.	Bär hörselskydd.	Käytä korvasuojia.	Bruk hørselsvern.	Используйте наушники!	Stosować środki ochrony słuchu!	
Totale vibrationsverdier (triaksial vektorsum) afgøres ifølge EN60745:	Det totala vibrationsvärdet (triaksial vektorsumma) är framtaget enligt EN60745:	Tärinän kokonaisarvot (kolmiakselinen vektorisumma) määritettyä standardin EN60745 mukaisesti:	De totale vibrasjonsverdiene (treaset vektorsum) er fastsatt i henhold til EN60745:	суммарное значение вибрации (сумма векторов по трем координатным осям) определено в соответствии со стандартом EN60745:	Wartości sumaryczne drgań (suma wektora trójosiowego) określone zgodnie z normą EN60745:	
Overfladeslibning	Ytspilning	Pinnan hionta	Overflatesliping	Плоское шлифование	Szlifowanie powierzchniowe	$a_{h,AG} = 5,4 \text{ m/s}^2$
Usikkerhed K	Osäkerhet K	epätarkkuus K	Usikkerhet K	Разброс K	Nierówność pomiaru K	1,5 m/s <sup>2</sup>

Slovensko	Slovenčina	България	Українська мова	Türkçe	Ελληνικά	
<b>Specifikacije izdelka</b>	<b>Špecifikácie produktu</b>	<b>Технически характеристики</b>	<b>Технічні характеристики продукту</b>	<b>Ürün Özellikleri</b>	<b>Προδιαγραφές Προϊόντος</b>	
Izmerjene zvočne vrednosti določene v skladu s standardom EN 60745:	Namerané hodnoty určené podľa EN 60745:	Измерените стойности на звука са определени в съответствие с EN 60745:	Вимірні значення шуму визначаються відповідно до EN 60745:	EN 60745: e göre hesaplanmış ses değerleri:	Μετρημένες τιμές ήχου σύμφωνα με το EN 60745:	
A-izmerjena raven zvočne tlaka nedoloč. K	Vážená A hladina akustického tlaku odchýlka K	Ниво на шумово налягане с равнище A	A-зважений рівень звукового тиску	A ağırlıklı ses basınç seviyesi	A-σταθμισμένο επίπεδο πίεσης ήχου	$L_p = 78,0 \text{ dB(A)}$
A-izmerjena raven zvočne moči nedoloč. K	Vážená A hladina akustického výkonu odchýlka K	Ниво на силата на шума с равнище A	A-зважений рівень звукової потужності	A ağırlıklı ses gücü seviyesi	A-σταθμισμένο επίπεδο έντασης ήχου	$L_W = 89,0 \text{ dB(A)}$
Nosite štítnike za ušesa.	Používajte chrániče sluchu.	Носете антифони	Діаметр ріжучої лінії	Kulak koruyucu kullanın.	Φοράτε ωτοασπίδες.	
Skupna vrednost vibracij (triaksialna vektorska vsota) določena v skladu z EN60745:	Celkové hodnoty vibrácií (priestorový vektorový súčet) určuje norma EN60745:	Общата стойност на вибрациите (триосна векторна сума) е определена в съответствие с EN 60745:	Загальне значення вібрацій (триаксіальна векторна сума) визначається відповідно до EN 60745:	EN 60745 normuna uygun olarak belirlenmiş titreşim topları değerleri (üçekseni vektör topları):	Συνολικές αξίες κραδασμών (τριξονικό διανυσματικό άθροισμα) σύμφωνα με EN60745:	
Površinsko brušenje	Plošné brušenie	Заточване на повърхност	Шліфування	Yüzey taşlama	Λείανση επιφανειών	$a_{h,AG} = 5,4 \text{ m/s}^2$
Nedoloč. K	Odchýlka K	Променливост (K)	Невизначеність K	Belirsizlik K	Αβεβαιότητα K	1,5 m/s <sup>2</sup>

## EN ⚠ WARNING

The declared vibration total values and the declared noise emission values given in this instruction manual have been measured in accordance with a standardised test and may be used to compare one tool with another. They may be used for a preliminary assessment of exposure.

The declared vibration and noise emission values represent the main applications of the tool. However, if the tool is used for different applications, used with different accessories, or poorly maintained, the vibration and noise emission may differ. These conditions may significantly increase the exposure levels over the total working period. An estimation of the level of exposure to vibration and noise should take into account the times when the tool is turned off or when it is running idle. These conditions may significantly reduce the exposure level over the total working period.

Identify additional safety measures to protect the operator from the effects of vibration and noise, such as maintaining the tool and the accessories, keeping the hands warm (in case of vibration), and organising work patterns.

## FR ⚠ AVERTISSEMENT

Le niveau total de vibrations et le niveau total d'émissions sonores déclarés indiqués dans ce manuel d'instruction ont été mesurés selon une méthode de test normalisée et peut servir de référence pour comparer les outils entre eux. Ils peuvent servir d'évaluation préliminaire à l'exposition.

Les niveaux d'émissions sonores et de vibrations déclarés représentent les principales applications de l'outil. Toutefois, si l'outil est utilisé pour des applications différentes ou des accessoires différents, ou s'il est mal entretenu, les vibrations émises peuvent varier. Ces facteurs pourraient augmenter considérablement les niveaux d'exposition sur la durée totale d'utilisation. Une estimation du niveau d'exposition aux vibrations et du bruit doit aussi prendre en compte les périodes durant lesquelles l'outil est éteint ou lorsqu'il fonctionne à vide. Ces facteurs pourraient réduire considérablement le niveau d'exposition sur la durée totale d'utilisation.

Identifiez toute mesure de sécurité supplémentaire à observer pour protéger l'opérateur des effets des vibrations et du bruit, comme l'entretien de l'outil et des accessoires, le maintien au chaud des mains (en cas de vibrations), et l'élaboration de schémas de pulvérisation.

## DE ⚠ WARNUNG

Die in dieser Anleitung deklarierten Gesamtwerte der Schwingungsemission und die deklarierten Werte der Geräuschemission wurden gemäß einer standardisierten Testmethode gemessen und können verwendet werden, um Werkzeuge miteinander zu vergleichen. Sie können für eine vorläufige Beurteilung der Belastung verwendet werden.

Die deklarierten Werte für Schwingungs- und Geräuschemission treffen auf die Hauptanwendung des Werkzeugs zu. Wenn jedoch das Werkzeug für verschiedene Anwendungen oder mit unterschiedlichem Zubehör genutzt wird oder schlecht gewartet ist, kann die Schwingungs- und Geräuschemission variieren. Diese Bedingungen können das Belastungsniveau über die gesamte Arbeitszeit deutlich steigern. Eine Schätzung der Schwingungsbelastung sollte auch die Zeiten berücksichtigen, in denen das Werkzeug ausgeschaltet ist oder im Leerlauf läuft. Diese Bedingungen können das Belastungsniveau über die gesamte Arbeitszeit deutlich reduzieren.

Legen Sie zusätzliche Sicherheitsmaßnahmen fest, um den Bediener vor den Auswirkungen von Schwingung und Geräuschen zu schützen, z. B. Warten des Geräts und der Zubehörteile, Warmhalten der Hände (bei Schwingung) und Organisieren der Tätigkeit.

## ES ⚠ ADVERTENCIA

Los valores totales de emisión de vibración declarados y los valores de emisiones de ruido declarados que se indican en este manual de instrucciones se han calculado según lo establecido en una prueba estandarizada y se pueden utilizar para comparar una herramienta con otra. Se pueden utilizar para una evaluación preliminar de exposición.

Los valores declarados de emisión de vibración y ruido representan las aplicaciones principales de la herramienta. No obstante, si la herramienta se utiliza para diferentes aplicaciones, con distintos accesorios o con un mantenimiento deficiente, la emisión de vibración y ruido podría diferir. Estas condiciones podrían aumentar significativamente los niveles de exposición sobre el periodo de funcionamiento total. Una estimación del nivel de exposición a la vibración y el ruido debería también tenerse en cuenta cuando la herramienta está apagada o cuando funciona a baja intensidad. Estas condiciones podrían reducir significativamente el nivel de exposición sobre el periodo de funcionamiento total.

Identifique cualquier medida de protección adicional para proteger al operario de los efectos de la vibración y el ruido, como el mantenimiento de la herramienta y los accesorios, mantener las manos calientes (en caso de vibración) y la organización de los patrones de trabajo.

## IT ⚠ AVVERTENZE

Il livello di emissioni di vibrazioni riportato in questa scheda informativa è stato misurato con un metodo di prova standardizzato ed è utilizzabile per confrontare gli utensili fra di loro. Questi possono essere usati per una valutazione preliminare

dell'esposizione.

I valori di emissione di rumori e vibrazioni rappresentano le principali applicazioni dello strumento. Tuttavia, se l'utensile viene utilizzato in applicazioni differenti, con differenti accessori o con scarsa manutenzione, l'emissione di vibrazioni e rumori può essere diversa. Queste condizioni possono significativamente aumentare il livello di esposizione nel periodo di lavoro totale. Una stima del livello di esposizione alle vibrazioni e ai rumori va presa in considerazione anche quando l'utensile viene spento oppure è in funzione a folle. Queste condizioni possono significativamente ridurre il livello di esposizione nel periodo di lavoro totale.

Identificare le misure di sicurezza aggiuntive per proteggere l'operatore dagli effetti di vibrazioni e rumori, come la manutenzione di strumento e accessori, mantenendo le mani calde (in caso di vibrazione) e le modalità di lavoro.

## NL ⚠ WAARSCHUWING

Het gespecificeerde totale trillingswaarden en geluidsemissiewaarden in deze instructiehandleiding zijn gemeten overeenkomstig een gestandaardiseerde test en kunnen worden gebruikt om gereedschappen met elkaar te vergelijken. Ze kunnen worden gebruikt voor een voorafgaande beoordeling van blootstelling.

De gespecificeerde trillings- en geluidsemissiewaarden vertegenwoordigen de belangrijkste toepassingen van het gereedschap. Als het gereedschap echter voor andere toepassingen of met andere accessoires wordt gebruikt/of slecht wordt onderhouden, kunnen de trillings- en geluidsemissiewaarden afwijken. Deze omstandigheden kunnen het blootstellingsniveau over de gehele gebruiksperiode aanzienlijk verhogen. Een schatting van het niveau van blootstelling aan trillingen en geluid dient ook rekening te houden met de perioden dat het gereedschap is uitgeschakeld of is ingeschakeld maar niet wordt gebruikt. Deze omstandigheden kunnen de blootstellingsniveau over de gehele gebruiksperiode aanzienlijk verhogen.

Stel aanvullende veiligheidsmaatregelen vast om de gebruiker te beschermen tegen de effecten van trillingen en geluid, zoals onderhoud van het gereedschap en de accessoires, het warm houden van de handen (in geval van trillingen) en het organiseren van werkpatronen.

## PT ⚠ AVISO

Os valores de vibração totais declarados e o nível de emissão de ruído dado nesta ficha de informações foi medido de acordo com um teste normalizado e pode ser utilizado para fazer comparações entre ferramentas. Podem ser utilizados para uma avaliação preliminar da exposição.

O nível declarado de emissão de vibrações e ruído representa as aplicações principais da ferramenta. Contudo, se a ferramenta for utilizada para várias aplicações, com diferentes acessórios ou se receber manutenção insuficiente, a emissão de vibrações e ruído pode ser diferente. Estas condições podem aumentar significativamente o nível de exposição ao longo do período total de trabalho. Uma estimativa do nível de exposição às vibrações e ruído deverá também levar em conta os tempos que a ferramenta está desligada ou que está a funcionar mas sem estar a ser utilizada para trabalho. Estas condições podem reduzir significativamente o nível de exposição ao longo do período total de trabalho.

Identifique medidas de segurança adicionais para proteger o operador dos efeitos da vibração e ruído, tal como a manutenção da ferramenta e dos acessórios, manter as mãos quentes (em caso de vibração) e organizar padrões de trabalho.

## DA ⚠ ADVARSEL

Vibrations- og støjemissionsværdierne, der er angivet i denne vejledning er målt i overensstemmelse med en standardiseret test og kan bruges til at sammenligne et værktøj med et andet. De kan bruges til en foreløbig vurdering af udsættelse.

De angivne vibrations- og støjemissionsværdier repræsenterer værktøjets hovedanvendelser. Hvis værktøjet imidlertid anvendes til andre formål med forskellig tilbehør eller er dårligt vedligeholdt, kan vibrations- og lydmissionen afvige. Disse forhold kan i væsentlig grad forøge udsættelsesniveauerne over den samlede arbejdsperiode. Et overslag over udsættelsesniveauet for vibrationer og støj bør også tage højde for de gange, hvor værktøjet er slukket, eller når det kører i tomgang. Disse forhold kan i betragteligt omfang reducere udsættelsesniveauet over den samlede arbejdsperiode.

Find yderligere sikkerhedsforanstaltninger, der kan beskytte operatøren mod virkningerne af vibrationer og støj, såsom vedligeholdelse af værktøjet og tilbehøret, holde hænderne varme (i tilfælde af vibrationer) og organisering af arbejdsområder.

## SV ⚠ VARNING

De angivna totala vibrations- och bulleremissionsvärdena som anges i denna instruktionsmanual har uppmätts i enlighet med ett standardiserat test och kan användas för att jämföra olika verktyg. De kan användas för en preliminär bedömning av exponering.

De angivna vibrations- och bulleremissionsvärdena representerar verktygets huvudsakliga användningsområden. Om verktyget emellertid används i andra tillämpningar, med andra tillbehör eller underhålls bristfälligt, kan vibrationer och bulleremission skilja sig från de angivna. Dessa förhållanden kan öka exponeringsnivåerna under den totala arbetsperioden avsevärt. En uppskattning av exponeringsnivån för vibrationer och buller bör även ta med i beräkningen de tider då verktyget är avstängt eller när det är igång men inte används i arbete. Dessa förhållanden kan minska exponeringsnivån under den totala arbetsperioden



avsevärt.

Identifiera ytterligare säkerhetsåtgärder för att skydda operatören från effekterna av vibrationer och buller, såsom att underhålla verktyget och tillbehören, hålla händerna varma (i händelse av vibrationer) och organisera arbetsmönster.

## FI ⚠️ VAROITUS

Tässä ohjekäsikirjassa tänäinä annetut kokonaisarvot ja ilmoitetut melupäästöarvot on mitattu standardoidun kokeen mukaisesti, ja niitä voidaan käyttää työkalujen vertaamiseen toisiinsa. Niitä voidaan käyttää altistumisen alustavaan arvioimiseen. Ilmoitetut värinän- ja melupäästöarvot koskevat työkalun pääkäyttötarkoituksia. Tärinäpäästö voi kuitenkin vaihdella, jos työkalua käytetään eri käyttötarkoituksiin, eri tarvikkeilla tai huonosti huollettuna. Mainitut olosuhteet saattavat nostaa altistumistasoa huomattavasti kokonaisarvojakson aikana. Tärinän ja melun altistumistasoa arviointi tulisi ottaa huomioon myös silloin, kun työkalu on kytketty pois päältä tai kun se on käynnissä, mutta sitä ei varsinaisesti käytetä. Mainitut olosuhteet saattavat vähentää huomattavasti altistumistasoa kokonaisarvojakson aikana.

Lisäturvatoimenpiteillä, kuten työkalun ja lisävarusteiden huoltamisella, käsiin lämpimänä pitämisellä (värinän tapauksessa) ja työmallien järjestämisellä, voit suojella käyttäjä värinältä ja melulta.

## NO ⚠️ ADVARSEL

De erklærte totale vibrasjonsverdiene og de erklærte støytulsplissverdiene gitt i denne brukerhåndboken har blitt målt i samsvar med en standardisert test og kan brukes til å sammenligne ett verkøy med ett annet. De kan brukes for en preliminar vurdering av eksponering.

De opplyste vibrasjons- og støytulsplissverdiene representerer verktøyet hovedbruksområder. Men hvis verktøyet brukes til ulike bruksområder, brukes med ulike tilbehør eller vedlikeholdet er dårlig, kan vibrasjons- og støytulspliss være forskjellig. Disse forholdene kan øke eksponeringsnivået betraktelig i løpet av hele arbeidsperioden. En vurdering av eksponeringsnivået for vibrasjon og støy skal ta hensyn til de gangene verktøyet er slått av eller går på tomgang. Disse forholdene kan betydelig redusere eksponeringsnivået over den totale arbeidsperioden.

Identifiser ytterligere sikkerhetstiltak for å beskytte operatøren mot virkningen av vibrasjon og støy, slik som å vedlikeholde verktøyet og tilbehøret, holde hendene varme (i tilfelle vibrasjon) eller organisere arbeidsmønstre.

## RU ⚠️ ОСТОРОЖНО!

Заявленные данные о совокупном уровне вибрационного и шумового воздействия, указанные в настоящем руководстве, получены в ходе стандартизированных исследований и могут использоваться для сравнения инструментов. Могут применяться в рамках предварительной оценки степени воздействия.

Заявленный уровень вибрационного и шумового воздействия учитывает основные области применения инструмента. При этом, если инструмент используется иным образом, с другим оборудованием либо некачественно обслуживается, степень вибрационного и шумового воздействия может отличаться. В рамках всего периода эксплуатации эти условия могут способствовать значительному повышению уровня воздействия. Расчет уровня вибрационного и шумового воздействия должен также проводиться с учетом количества выключений инструмента и продолжительности работы на холостом ходу. В рамках всего периода эксплуатации эти условия могут способствовать значительному снижению уровня воздействия.

Обеспечьте дополнительные меры защиты оператора от воздействия вибрации и шума, например, техническое обслуживание инструмента и принадлежности, поддержание температуры рук (в случае вибрации) и организация графика работ.

## PL ⚠️ OSTRZEŻENIE

Podany w niniejszej instrukcji łączny poziom emisji wibracji zmierzono zgodnie ze znormalizowaną metodą testowania — może on być wykorzystywany do wzajemnego porównywania narzędzi. Można go wykorzystywać do wstępnej oceny narażenia.

Deklarowany poziom emisji wibracji i hałasu odpowiada głównym zastosowaniom narzędzia. Jeżeli jednak narzędzie będzie używane do innych zastosowań lub z innymi akcesoriami, bądź też jeśli będzie niewłaściwie konserwowane, poziom emisji wibracji i hałasu może się różnić. Warunki takie mogą doprowadzić do znaczącego wzrostu poziomu narażenia w całym okresie eksploatacji. Oszacowanie poziomu narażenia na wibracje i hałas powinno również uwzględniać okresy, w których narzędzie jest wyłączone bądź działa, ale nie jest wykorzystywane do pracy. Warunki takie mogą doprowadzić do znaczącego ograniczenia poziomu narażenia w całym okresie eksploatacji.

Należy zidentyfikować dodatkowe środki bezpieczeństwa mające na celu ochronę operatora przed skutkami wibracji i hałasu, takie jak konserwacja narzędzia i akcesoriów, utrzymywanie ciepła dłoni (w przypadku wibracji) oraz organizacja pracy.

## CS ⚠️ VAROVÁNÍ

Deklarované celkové hodnoty vibrací a deklarované hodnoty hluku uvedené v tomto návodu byly změněny standardizovanou zkušební metodou a mohou

být použity k porovnání jednoho mlhovače s druhým. Mohou být použity k předběžnému posouzení vystavení vibracím a hluku.

Deklarované hodnoty vibrací a hlukučnosti jsou vymezeny hlavními způsoby použití tohoto mlhovače. Pokud je mlhovač použit jiným způsobem, s jiným příslušenstvím nebo při nedostatečné údržbě, úrovně vibrací a hluku se mohou lišit. Tyto podmínky mohou podstatně zvýšit úrovně vystavení vibracím a hluku za celou pracovní dobu. Při odhadu úrovně vystavení vibracím a hluku je nutné vzít v úvahu také dobu, kdy je mlhovač vypnutý nebo běží naprázdno. Tyto podmínky mohou podstatně snížit úroveň vystavení vibracím a hluku za celou pracovní dobu.

K ochraně obluhy před účinky vibrací a hluku určete další bezpečnostní opatření, například provádění údržby mlhovače a příslušenství, udržování rukou v teple (v případě vibrací) a organizování pracovních cyklů.

## HU ⚠️ FIGYELMEZTETÉS

A jelen használati kézikönyvben közölt rezgés- és zajkibocsátási értékeket szabványosított vizsgálat segítségével mértük, amelynek segítségével az eszközök egymással összehasonlíthatók. Ezek alkalmazhatóak a kitettség előzetes felmérésére is.

A megadott rezgés- és zajkibocsátási szint az eszköz fő alkalmazásait jelöli. Azonban ha az eszközt nem megfelelően tartják karban, különböző alkalmazásokra vagy eltérő tartozékokkal használják, akkor a rezgés- és zajkibocsátás változhat. Ezek a beavatkozások jelentősen növelhetik a kitettség szintet a teljes működési időtartam során. A rezgésnek és zajnak való kitettség szint becslést értékel akkor is figyelembe kell venni, amikor az eszköz ki van kapcsolva, vagy amikor csak tétlenül jár. Ezek jelentősen csökkenthetik a kitettség szintet a teljes működési időtartalom során.

A kezelő rezgés- és zajtárolom elleni védelméhez tegyen meg további biztonsági intézkedéseket, mint pl. az eszköz és alkatrészei karbantartása, a kéz melegen tartása (rezgés esetén) és a munkavégzési folyamat megszervezése.

## RO ⚠️ AVERTISMENT

Nivelul total al vibrațiilor și valorile emisiilor de zgomot declarate în acest manual cu instrucțiuni au fost măsurate în conformitate cu o metodă de testare standardizată și pot fi utile pentru compararea uneltor între ele. Acestea pot fi utilizate pentru evaluarea preliminară a expunerii.

Valorile emisiilor de vibrație și de zgomot declarate sunt relevante pentru domeniul de utilizare al acestor unelte. Totuși, dacă unealta este utilizată în alte scopuri, cu alte accesorii sau este întreținută necorespunzător, nivelul vibrațiilor și al zgomotului poate fi diferit. În acest caz, nivelul de expunere total, pe parcursul întregii perioade de lucru, poate crește. O estimare a nivelului de expunere la vibrații și zgomot trebuie să țină cont și de numărul de porniri-oprii, precum și de perioadă în care unealta este oprită sau funcționează în gol. În acest caz, nivelul de expunere total, pe parcursul întregii perioade de lucru, poate fi mai mic. Identificați măsuri de protecție suplimentare pentru protecția operatorului contra efectelor vibrațiilor și zgomotului, precum întreținerea unelei și a accesoriilor, menținerea mâinilor calde (în caz de vibrație) și organizarea de perioade de lucru.

## LV ⚠️ BRĪDINĀJUMS

Deklarātie kopējie vibrāciju līmeņi un deklarātie trokšņu izstarošanas līmeņi, kas norādīti šajā instrukcijā ir mērīti saskaņā ar standartizētajiem testiem, un var tikt izmantoti viena instrumenta salīdzināšanai ar citu. Tos var izmantot sākotnējai ietekmes novērtēšanai.

Deklarētās vibrāciju un trokšņu veidošanās vērtības atspoguļots galvenajam instrumenta pielietojumam. Tomēr, ja instruments tiek izmantots citam pielietojumam, izmantots ar citiem aksesuāriem, vai netiek pienācīgi kops, vibrāciju un trokšņu līmeņis var atšķirties. Šie apstākļi var būtiski palielināt ietekmes līmeni visā darba laikā. Vibrāciju un trokšņu iedarbības līmeņa noteikšanai jāņem vērā arī laika posmi, kad instruments ir izslēgts, vai arī darbojas tukšgaitā. Šie apstākļi var būtiski samazināt ietekmes līmeni visā darba laikā.

Nosakiet papildu drošības pasākumus, lai aizsargātu lietotāju no vibrācijas un trokšņu ietekmes, piemēram, veicot instrumenta un aprīkojuma apkopes, roku uzturēšana siltumā (vibrāciju gadījumā), vai organizējot darba grafiku.

## LT ⚠️ ĮSPĖJIMAS

Šioje naudojimo instrukcijoje nurodytos keliamos vibracijos vertės nustatytos atsižvelgiant į standartinį bandymo metodą, todėl jas galima palyginti su kitų elektrinių įrankių keliamoja vibracija. Jos tapat padalį būdi naudojamos preliminariam vibracijos poveikiui įvertinti.

Deklaruojamos vibracijos ir skleidžiamo triukšmo vertės atspindi pagrindinius įrenginio taikymo būdus. Tačiau, jei šiuo įrenginiu atliekami kiti darbai, naudojant kitus priedus arba prastai prižiūrinus priedus, keliamos vibracijos ir triukšmo vertės gali skirtis. Šiomis sąlygomis gali žymiai padidėti vibracijos poveikio lygiai per visą darbo laiką. Vertinant vibracijos ir triukšmo poveikio lygį per tam tikrą darbo laikotarpį, reikia atsižvelgti ne tik į laiką, kai įrenginys veikia, bet ir į tą laiką, kai įrenginys yra išjungtas, ir į laiką, kai jis veikia tuščiaja eiga be apkrovos. Šiomis sąlygomis gali žymiai sumažėti vibracijos poveikio lygis per visą darbo laiką.

Nustatykite papildomas saugos priemones, skirtas operatoriui apsaugoti nuo vibracijos ir triukšmo poveikio, pvz., techniškai prižiūrėkite įrenginį ir priedus, laikykite rankas šiltai (vibracijos atveju) ir organizuokite darbo pamaiss.

## ET HOIATUS

Käesolevas juhendis toodud vibratsioonitase ja deklareeritud müraemissiooni väärtused on mõeldud standardmeetodi järgi ja seda saab kasutada tööriistade omavaheliseks võrdlemiseks. Neid võib kasutada ka emissiooni esialgseks hindamiseks.

Deklareeritud vibratsiooni ja müraemissiooni väärtused kehtivad tööriista peamistele rakendustele. Kui aga tööriista kasutatakse muudeks töödeks, rakendatakse teisi varikuid või kui tööriista hooldus pole piisav, võib vibratsiooni ja müraemissiooni tase kõhkuda. Need tingimused võivad emissiooni tööperioodi jooksul tunduvalt suurendada. Vibratsiooni ja müraemissiooni täpseks hindamiseks tuleb arvesse võtta ka aega, mil seade on välja lülitatud või sisse lülitatud, kuid tegelikult tööle rakendamata. Need tingimused võivad emissiooni tööperioodi jooksul tunduvalt vähendada.

Tehke kindlaks täiendavad ohutusmeetmed kasutaja kaitsmiseks vibratsiooni ja müra mõju eest: näiteks tööriista ja lisaseadmete hooldamine, käte soojas hoidmine (vibratsiooni korral) ja töökorraldus.

## HR UPOZORENJE

Deklarirane ukupne vrijednosti vibracija i deklarirane emisije buke navedene u ovom priručniku s uputama izmjerenje su u skladu sa standardiziranom ispitnom metodom i mogu se koristiti za uporedbu jednog alata s drugim. Moguće ih je upotrijebiti za preliminarnu procjenu izlaganja.

Deklarirane vrijednosti razine emisije vibracija i buke predstavljaju glavne primjene alata. Međutim, ako se alat koristi za druge primjene, koristi s različitim dodacima ili ako se loše održava, emisija vibracija i buke se može razlikovati od navedene vrijednosti. Ti uvjeti mogu uzrokovati značajno povećanje razine izloženosti u ukupnom vremenu rada alatom. Procjena razine izloženosti vibracijama i buci također bi trebala uzeti u obzir i vrijeme u kojem je alat isključen ili radi u praznom hodu. Ti uvjeti mogu uzrokovati značajno smanjenje razine izloženosti u ukupnom vremenu rada alatom.

Utvrđite dodatne sigurnosne mjere za zaštitu rukovatelja od djelovanja vibracija i buke, kao što su održavanje alata i pribora, održavanje topline ruku (u slučaju vibracija) i organiziranje radnog vremena.

## SL OPOZORILO

Skupni vrednoti emisij vibracij i emisij hrupa, navedeni v tem priručniku, sta bili izmerjeni v skladu z metodo standardiziranega preskusa in se lahko uporabljata za medsebojno primerjavo orodja. Uporabljajo se lahko za predhodno oceno stopnje izpostavljenosti.

Navedeni vrednoti emisij vibracij i hrupa veljata za glavne namene uporabe orodja. Vendar, če se orodje uporablja v druge namene, z drugačnimi dodatki ali je slabo vzdrževano, sta lahko ravni emisij vibracij i hrupa drugačni. V teh pogojih se lahko stopnja izpostavljenosti v celotnem delovnem obdobju občutno zviša. V oceni stopnje izpostavljenosti vibracijam i hrupu je treba upoštevati tudi obdobja, v katerih je orodje ugasnjeno oziroma teče, vendar ni v dejanski uporabi. V teh pogojih se lahko stopnja izpostavljenosti v celotnem delovnem obdobju občutno zniža.

Ugotovite dodatne varnostne ukrepe za zaščito uporabnika pred učinki vibracij i hrupa, kot je vzdrževanje orodja in dodatkov, ohranjanje toplih rok (v primeru vibracij) i organizacija delovnih vzorcev.

## SK VAROVANIE

Deklarované celkové hodnoty vibráci i deklarované hodnoty emisii hluku uvedené v tomto návode na obsluhu boli merané v súlade so štandardizovanou skúškou a môžu sa použiť na porovnanie jedného náradia s druhým. Môžu sa použiť na predbežné posúdenie expozície.

Deklarované hodnoty vibráci i emisii hluku sú pre hlavné použitia náradia. No ak sa náradie používa na iné aplikácie, v spojení s iným príslušenstvom alebo je jeho údržba nepostačujúca, emisie vibráci i hluku sa môžu líšiť. Tieto podmienky značne zvyšujú úroveň expozície počas celkovej pracovnej doby. Odhad úrovne expozície účinkom vibráci i hluku musí taktiež zohľadniť časy vypnutia náradia alebo ak beží na voľnobeh. Tieto podmienky môžu značne znížiť úroveň expozície počas celkovej pracovnej doby.

Identifikujte ďalšie bezpečnostné opatrenia na ochranu obsluhu pred účinkami vibráci i hluku, ako je napríklad udržiavanie náradia a príslušenstva, udržiavanie teplých rúk (v prípade vibráci) i organizácia pracovných postupov.

## BG ВНИМАНИЕ

Декларираните общи стойности на излъчените вибрации и на шумовите емисии, посочени в настоящото ръководство, са измерени в съответствие със стандартизиран тестов метод и може да се използват за сравнение на един инструмент с друг. Те може да се използват за предварително оценяване на въздействието.

Декларираните стойности на излъчените вибрации и на шумовите емисии представляват основните приложения на инструмента. Въпреки това, ако инструментът се използва за различни приложения, с различни принадлежности или поддръжката му е некачествена, излъчените вибрации и шумовите емисии могат да се различават. Тези условия може значително да увеличат нивото на излагане през целия срок на работа. При оценяване на нивото на излагане на вибрации и шум също трябва да се вземе предвид

колко пъти инструментът е бил изключван или колко пъти е работил на празен ход. Тези условия може значително да намалят нивото на излагане през целия срок на работа.

Определете допълнителни мерки за предпазване на оператора от ефектите от вибрациите и шума, като например поддържане на инструмента и аксесоарите, поддържане на ръцете топли (в случай на вибрации), организация на моделите за работа.

## UK ПЕРЕДЖЕННЯ

Значення вібрації та шуму, наведені в цьому керівництві, вимірювалися відповідно до стандартизованого методу випробування та можуть бути використані для порівняння одного інструменту з іншим. Ними можна користуватися для попередньої оцінки впливу.

Наведені значення вимірюються при стандартній експлуатації виробу. Утім якщо виріб використовується для інших цілей, з іншими додатковими пристосуваннями або ж не проходить належного обслуговування, рівні вібрації та шуму можуть відзнятися від зазначених. Як наслідок, рівні впливу впродовж загального робочого часу можуть значно збільшитися. При оцінці рівнів впливу вібрації та шуму слід враховувати періоди, коли виріб вимкнений або працює на холостих обертах. Як наслідок, рівні впливу впродовж загального робочого часу можуть значно зменшитися.

Дотримуйтеся додаткових заходів, які можуть захистити оператора від впливу вібрації та шуму: підтримуйте пристрій та додатки пристосування у належному стані, робіть перерви, цюби руки залишалися теплими (при вібрації), та подумайте графік роботи.

## TR UYARI

Bu kullanim kilavuzunda verilen toplam titreşim değerleri ve gürültü emisyonu değerleri standartlaştırılmış bir teste göre ölçülmüştür ve bir aleti diğerine karşılaştırmak için kullanılabılır. Maruz kalmanın önceden değerlendirilmesi için kullanılabılır.

Beyan edilen titreşim ve gürültü emisyonu değerleri aletin ana uygulamalarını temsil eder. Ancak, alet farklı uygulamalar için kullanılıyorsa, farklı aksesuarları kullanılıyorsa ve bakımı yapılmıyorsa, titreşim ve gürültü emisyonu değışiklik gösterirbilir. Bu koşullar toplam çalışma süresi genelinde maruz kalma düzeylerini önemli oranda arttırabilir. Titreşim ve gürültüye maruz kalma seviyesinin tahmininde aletin kapatıldığı veya boşta çalıştığı süreler dikkate alınmalıdır. Bu koşullar toplam çalışma süresi boyunca maruz kalma seviyesini önemli oranda azaltabilir.

Kullanılan kişiyi titreşimin ve gürültünün etkilerinden korumak için aletin ve aksesuarların bakımını yapın, (titreşim halinde) elleri sıcak tutmak ve çalışma modelleri organize etmek gibi ilave güvenlik önlemlerini tanımlayın.

## EL ΠΡΟΕΙΔΟΠΟΙΗΣΗ

Η δηλωθείσα τιμή συνολικών κραδασμών και η δηλωθείσα τιμή εκπομπής θορύβου, οι οποίες αναγράφονται στο παρόν εγχειρίδιο, έχουν μετρηθεί σύμφωνα με τυποποιημένη δοκιμή και μπορεί να χρησιμοποιηθεί για συγκρίσεις εργαλείων. Μπορούν να χρησιμοποιηθούν για προκαταρκτική αξιολόγηση της έκθεσης.

Οι δηλωθείσες τιμές κραδασμών και εκπομπών θορύβου αφορούν ισχύουν για τις κύριες εφαρμογές του εργαλείου. Ωστόσο, εάν το εργαλείο χρησιμοποιηθεί για διαφορετικές εφαρμογές, με διαφορετικά εξαρτήματα ή δεν συντηρηθεί σωστά, οι τιμές κραδασμών και εκπομπών θορύβου μπορεί να διαφοροποιηθούν. Οι προϋποθέσεις αυτές μπορεί να αυξησουν σημαντικά τα επίπεδα έκθεσης κατά τη διάρκεια της συνολικής περιόδου εργασίας. Θα πρέπει να ληφθεί υπόψη μια εκτίμηση της έκθεσης σε κραδασμούς και θόρυβο όταν το εργαλείο είναι απενεργοποιημένο ή όταν μεταβαίνει σε αδράνεια. Ο συνθήκες αυτές μπορεί να μειώσουν σημαντικά τα επίπεδα έκθεσης κατά τη διάρκεια της συνολικής περιόδου εργασίας.

Προσδιορίστε πρόσθετα μέτρα ασφαλείας για την προστασία του χειριστή από τις επιπτώσεις των κραδασμών και του θορύβου, όπως συντήρηση του εργαλείου και των εξαρτημάτων, διατήρηση των χεριών ζεστών, (σε περίπτωση κραδασμών) και οργάνωση σχεδίων εργασίας.

## EN RYOBI® WARRANTY APPLICATION CONDITIONS

In addition to any statutory rights resulting from the purchase, this product is covered by a warranty as stated below.

1. The warranty period is 24 months for consumers and commences on the date the product was purchased. This date has to be documented by an invoice or other proof of purchase. The product is designed and dedicated to consumer and private use only. So there is no warranty provided in case of professional or commercial use. This warranty applies only on new products.
2. There is a possibility to extend for a part of the range of power tools (AC/DC) the warranty period over the period described above using the registration on the [www.ryobitools.eu](http://www.ryobitools.eu) website. The eligibility of products for extended warranty is clearly displayed in stores and / or on packaging and is contained within the product documentation. The end user is required to register his/her newly-acquired products online within 30 days from the date of purchase. The end user may register for the extended warranty in his/her country of residence if listed on the online registration form where this option is valid. Furthermore, end users must give their consent to the storage of their personal data that is required to be entered online. They must also accept the terms and conditions. The registration confirmation receipt, which is sent out by e-mail, and the original invoice showing the date of purchase will serve as proof of the extended warranty.
3. The warranty covers all defects of the product during the warranty period due to faults in workmanship or material at the purchase date. The warranty is limited to repair and/or replacement and does not include any other obligations including but not limited to incidental or consequential damages. The warranty is not valid if the product has been misused, used contrary to the instruction manual, or has been incorrectly connected to a power supply. This warranty does not apply to:
  - any damage to the product that is the result of improper or lack of maintenance
  - any product that has been altered or modified
  - any product where original identification (trade mark, serial number) markings have been defaced, altered or removed
  - any damage caused by non-observance of the instruction manual
  - any product not displaying the CE approval mark on the rating plate
  - any product that has been attempted to be repaired by a non-authorised warranty service centre or without prior authorisation by Techtronic Industries
  - any product connected to improper power supply (amps, voltage, frequency)
  - any damage caused by external influences (water, chemical, physical, shocks) or foreign substances
  - normal wear and tear spare parts
  - inappropriate use, overloading of the tool
  - use of non-approved accessories or parts
  - Power tool accessories provided with the tool or purchased separately, including but not limited to screw driver bits, drill bits, abrasive discs, sand paper and blades, lateral guide, etc.
  - Components (parts and accessories) subject to natural wear and tear, including but not limited to service & maintenance kits, carbon brushes, bearings, chuck, SDS drill bit attachment or reception, power cord, auxiliary handle, transport carry case, sanding plate, dust bag, dust exhaust tube, felt washers, impact wrench pins & springs, etc.
4. For servicing, the product must be sent or presented to a RYOBI authorised service station listed for each country in the following list of service station addresses. In some countries your local RYOBI dealer undertakes to send the product to the RYOBI service organisation. When sending a product to a RYOBI service station, the product should be safely packed without any dangerous contents such as petrol, marked with sender's address and accompanied by a short description of the fault.
5. A repair / replacement under this warranty is free of charge. It does not constitute an extension or a new start of the warranty period. Exchanged parts or products become our property. In some countries delivery charges or postage will have to be paid by the sender. Your statutory rights arising from the purchase of the product remain unaffected.
6. This warranty is valid in the European Community, Switzerland, Iceland, Norway, Liechtenstein, Turkey, Russia, and the United Kingdom. Outside these areas, please contact your authorised RYOBI dealer to determine if another warranty applies.

### AUTHORISED SERVICE CENTRE

Any request or issue with the product can be addressed to your local authorised service centres (visit [www.ryobitools.eu](http://www.ryobitools.eu)) or directly to: Techtronic Industries GmbH, Max Eyth Straße 10, 71364 Winnenden, Germany. Please state the serial number and product type printed on the label.

## FR RYOBI® CONDITIONS D'APPLICATION DE LA GARANTIE

En plus des droits statutaires liés à l'achat, ce produit est couvert par une garantie telle que décrite ci-dessous.

1. La durée de la garantie accordée au consommateur est de 24 mois à partir de la date d'achat. Cette date doit être authentifiée par une facture ou toute autre preuve d'achat. Le produit a été conçu en vue d'une utilisation strictement privée. Aucune garantie ne s'applique donc en cas d'utilisation professionnelle ou commerciale.
2. Il existe pour une partie de la gamme d'outils électroportatifs (AC/DC), une possibilité d'étendre la période de garantie au-delà de la période précédemment décrite en utilisant le formulaire d'enregistrement présent sur le site Internet [www.ryobitools.eu](http://www.ryobitools.eu). L'éligibilité d'un outil est clairement affichée dans les points de vente et/ou sur l'emballage et la documentation. L'utilisateur final doit enregistrer son/ses outil(s) nouvellement acheté(s) en ligne dans les 30 jours qui suivent la date d'achat. L'utilisateur a la possibilité de s'enregistrer pour l'extension de garantie dans son pays de résidence si celui-ci est listé dans le formulaire d'enregistrement en ligne ou cette option est valide. L'utilisateur final doit donner son consentement pour l'enregistrement des données requises pour accéder au site et doit accepter les termes et conditions. La confirmation d'enregistrement, envoyée par courrier électronique, ainsi que la facture originale mentionnant la date d'achat serviront de preuve de l'extension de garantie.
3. La garantie couvre pendant la période de garantie les défauts des produits liés à la fabrication et aux matériaux à la date d'achat. La garantie est limitée à la réparation et/ou au remplacement et n'inclut aucune autre obligation, tel que, mais sans s'y limiter, les dommages accessoires ou indirects. La garantie est non valable en cas de mauvaise utilisation du produit, d'utilisation contraire aux instructions du mode d'emploi, ou en cas de branchement incorrect. Cette garantie ne s'applique pas pour :
  - tout dommage au produit résultant d'un mauvais entretien
  - tout produit ayant été altéré ou modifié
  - tout produit dont les marquages originaux d'identification (marque, numéro de série) ont été dégradés, altérés ou retirés
  - tout dommage causé par le non-respect des instructions du mode d'emploi
  - tout produit non CE
  - tout produit ayant subi une tentative de réparation par du personnel non qualifié ou sans autorisation préalable de Techtronic Industries
  - tout produit raccordé à une alimentation secteur non conforme (ampérage, voltage, fréquence)
  - tout dommage causé par des influences extérieures (chimiques, physiques, chocs) ou par des substances étrangères
  - l'usure normale des pièces consommables
  - une utilisation inappropriée, une surcharge de l'outil
  - l'utilisation de pièces ou accessoires non agréés
  - accessoires de l'outil électrique fournis avec l'outil ou achetés séparément. Cela comprend notamment les embouts de vissage, les forets de perceuse, les disques abrasifs, le papier de verre et les lames, le guide latéral
  - Les composants (pièces et accessoires) sujets à l'usure naturelle, ceci incluant notamment les mandrins, les charbons, adaptateurs SDS, les cordons d'alimentation, les poignées auxiliaires, les mallettes de transport, les plateaux de ponçage, les sacs collecteurs de poussière, les tubes d'extraction de poussière, les carrés de clé à choc, etc.
4. Si le produit doit être réparé, envoyez-le à un service après-vente agréé RYOBI dont vous trouverez ci-dessous la liste pour chaque pays. Dans certains pays, votre revendeur RYOBI se chargera d'envoyer le produit à un centre de réparation RYOBI. Lorsque vous envoyez un produit à un service après-vente RYOBI, celui-ci doit être correctement emballé, sans contenir aucun produit dangereux tel que de l'essence, et vous devez indiquer votre adresse ainsi qu'une courte description du problème.
5. Une réparation / un remplacement sous garantie est gratuit(e). Ceci ne constituera pas une extension de garantie ni un nouveau départ de la période de garantie. Les pièces ou les outils remplacés deviennent notre propriété. Dans certains pays, les frais de port devront être assumés par l'expéditeur. Vos droits statutaires restent inchangés.
6. Cette garantie est valable dans la Communauté européenne, la Suisse, l'Islande, la Norvège, le Liechtenstein, la Turquie, la Russie et le Royaume-Uni. En dehors de ces zones, veuillez contacter votre distributeur agréé RYOBI pour déterminer si une autre garantie s'applique.

### CENTRE DE SERVICE AGRÉÉ

Toute demande ou tout problème concernant le produit peut être transmis à votre centre de service agréé local (consultez [www.ryobitools.eu](http://www.ryobitools.eu)) ou directement à : Techtronic Industries GmbH, Max Eyth Straße 10, 71364 Winnenden, Allemagne. Veuillez mentionner le numéro de série et le type de produit imprimés sur l'étiquette.

## DE RYOBI® GARANTIEBEDINGUNGEN

Zusätzlich zu den gesetzlichen Rechten aus dem Kauf gilt für dieses Produkt die nachstehend aufgeführte Garantie.

- Der Garantiezeitraum beträgt für Verbraucher 24 Monate und beginnt mit dem Datum des Kaufs. Dieses Datum muss durch eine Rechnung oder einen anderen Kaufbeleg dokumentiert werden. Dieses Produkt wurde ausschließlich zur privaten Nutzung durch Verbraucher entwickelt. Für den Fall einer professionellen bzw. kommerziellen Nutzung besteht daher keine Garantie.
- Es besteht die Möglichkeit, für einen Teil des Sortiments der Elektrogeräte (AC/DC) den Garantiezeitraum über den oben genannten Zeitraum hinaus zu verlängern, indem der Verbraucher die Registrierung auf der Website [www.ryobitools.eu](http://www.ryobitools.eu) durchführt. Die Berechtigung der Werkzeuge für die Garantieverlängerung ist deutlich im Geschäft und/oder auf der Verpackung beschrieben und in der Produktdokumentation erwähnt. Der Verbraucher muss das neu erworbene Gerät online innerhalb von 30 Tagen ab dem Kaufdatum registrieren. Der Verbraucher kann das Gerät zwecks Garantieverlängerung in seinem Wohnsitzland/Heimatland registrieren, wenn dieses Land auf dem Online-Registrierungsformular aufgeführt und die Option gültig ist. Darüber hinaus muss der Verbraucher seine Zustimmung zur Speicherung der Daten geben, die online eingegeben werden müssen, und er muss die allgemeinen Geschäftsbedingungen akzeptieren. Die Bestätigung der Registrierung, die per E-Mail versandt wird, und die Originalrechnung mit dem Kaufdatum gelten als Beleg für die Garantieverlängerung.
- Die Garantie deckt alle Defekte des Geräts während des Garantiezeitraums ab, die auf zum Zeitpunkt des Kaufs bestehende Verarbeitungs- oder Materialfehler zurückzuführen sind. Die Garantie beschränkt sich auf Reparatur und/oder Ersatz und beinhaltet keine anderen Verpflichtungen, insbesondere keinen Schadenersatz für Folge- oder Nebenschäden. Die Garantie gilt nicht, wenn das Gerät fehlerhaft eingesetzt wurde, gegenseitlich zur Bedienungsanleitung eingesetzt wurde oder falsch angeschlossen wurde. Die Garantie gilt nicht für Folgendes:
  - Schäden am Gerät, die auf unkorrekte Wartung zurückzuführen sind
  - Geräte, an denen Veränderungen vorgenommen wurden
  - Produkte, bei denen die ursprüngliche Identifizierung (Handelsmarke, Seriennummer) unleserlich gemacht, verändert oder entfernt wurde
  - Schäden durch Nichtbeachtung der Bedienungsanleitung
  - nicht-CE-zertifizierte Geräte
  - Geräte, an denen durch nicht-qualifizierte Personen oder ohne vorherige Genehmigung von Technonic Industries Reparaturversuche vorgenommen wurden
  - Geräte, die an unkorrekte Energiequellen (Ampere, Volt, Frequenz) angeschlossen wurden
  - Schäden durch äußere Einflüsse (chemisch, physisch, Stöße) oder Fremdstoffe
  - normaler Verschleiß von Ersatzteilen
  - unangemessene Nutzung, Überlastung des Geräts
  - Nutzung nicht genehmigter Zubehörteile oder Ersatzteile
  - mit dem Gerät gelieferte oder separat erworbene Zubehörteile. Dieser Ausschluss beinhaltet, ist aber nicht beschränkt auf Schraubendreher-Bits, Bohrsätze, Schleifscheiben, Sandpapier und Klängen, Seitenführungen
  - Komponenten (Ersatzteile und Zubehörteile), die natürlichen und normalen Verschleißerscheinungen unterworfen sind, einschließlich aber nicht beschränkt auf: Service- und Wartungssätze, Kohlebürsten, Lager, Spannfüter, SDS-Bohreraufnahme /Bit-Adapter, Netzkabel, Zusatzhandgriff, Transportkoffer, Schleifblätter, Staubbeutel, Staubabsaugrohr, Filzunterlegscheiben, Bolzen und Federn von Schlagschraubern usw.
- Zum Service muss das Gerät zu einer von RYOBI autorisierten Servicestation gebracht oder dorthin geschickt werden. Die Servicestationen für die einzelnen Länder sind in der folgenden Liste aufgeführt. In einigen Ländern sendet Ihr RYOBI-Händler vor Ort das Gerät an das RYOBI-Serviceunternehmen. Beim Einsenden an die RYOBI-Servicestation sollte das Gerät sicher verpackt sein, ohne gefährliche Inhalte wie Benzin, und es sollte mit der Adresse des Absenders und einer kurzen Beschreibung des Fehlers versehen sein.
- Eine Reparatur bzw. ein Ersatz gemäß dieser Garantie ist kostenlos. Hieraus ergibt sich weder eine Garantieverlängerung noch der Beginn eines neuen Garantiezeitraums. Die ausgetauschten Ersatzteile oder Werkzeuge gehen in unser Eigentum über. In einigen Ländern müssen die Zustellgebühren oder die Versandkosten vom Absender gezahlt werden. Ihre gesetzlichen Rechte aus dem Kauf des Geräts bleiben hiervon unberührt.
- Diese Garantie ist gültig in der Europäischen Gemeinschaft, der Schweiz, Island, Norwegen, Liechtenstein, der Türkei, Russland und dem Vereinigten Königreich. Bitte wenden Sie sich außerhalb dieser Gebiete an Ihren autorisierten RYOBI-Händler, um festzustellen, ob eine andere Garantie gilt.

### AUTORISIERTER KUNDENDIENST

Bitte wenden Sie sich bei Fragen zum oder um Problemen mit dem Gerät an das örtliche autorisierte Servicecenter (siehe [www.ryobitools.eu](http://www.ryobitools.eu)) oder direkt an: Technonic Industries GmbH, Max Eyth Straße 10, 71364 Winnenden, Germany. Bitte geben Sie die Seriennummer und den auf dem Typenschild aufgedruckten Gerätetyp an.

## ES CONDICIONES DE APLICACIÓN DE LA GARANTÍA DE RYOBI®

Además de cualquier derecho legal derivado de la compra, este producto está cubierto por una garantía que se indica a continuación.

- El periodo de garantía es de 24 meses para consumidores y comienza en la fecha en que se comprara el producto. Dicha fecha debe documentarse con una factura u otro comprobante de compra. El producto está diseñado y concebido únicamente para el uso privado del consumidor. Por lo tanto, no se ofrece garantía en caso de uso profesional o comercial.
- Existe la posibilidad de ampliar el periodo de garantía respecto a una parte de la gama de herramientas eléctricas (CA/CC) durante el periodo descrito más arriba y mediante el registro en el sitio web [www.ryobitools.eu](http://www.ryobitools.eu). La elegibilidad de las herramientas para que se amplíe el periodo de garantía se muestra claramente en las tiendas o en el embalaje y está incluida en la documentación del producto. El usuario final tiene que registrar en línea sus herramientas recientemente adquiridas en un plazo de 30 días a partir de la fecha de compra. El usuario final podrá registrarse para obtener la garantía ampliada en su país de residencia si este aparece en la lista del formulario de registro en línea cuando esta opción sea válida. Además, los usuarios finales deberán dar su consentimiento al almacenamiento de los datos necesarios para el acceso en línea y tienen que aceptar los términos y condiciones. El recibo de confirmación de registro, que se envía por correo electrónico, y la factura original que muestra la fecha de compra servirán como comprobante para la garantía ampliada.
- La garantía cubre todos los defectos del producto durante el periodo de garantía debido a fallos de mano de obra o material en la fecha de compra. La garantía se limita a la reparación o sustitución y no incluye ninguna otra obligación como, por ejemplo, daños accidentales o consecuentes. La garantía no es válida si se ha usado mal el producto, se ha usado contraviniendo el manual de instrucciones o se ha conectado de forma incorrecta. Esta garantía no es aplicable a:
  - ningún daño en el producto que sea consecuencia de un mantenimiento inadecuado
  - ningún producto que haya sido alterado o modificado
  - ningún producto en el que los marcados de identificación originales (marca comercial, número de serie) se hayan borrado, modificado o eliminado
  - ningún daño provocado por no seguir el manual de instrucciones
  - ningún producto que no sea CE
  - ningún producto que haya sufrido un intento de reparación por parte de un profesional no cualificado o sin la autorización previa de Technonic Industries.
  - ningún producto conectado a un suministro eléctrico inadecuado (ampieros, voltaje, frecuencia)
  - ningún daño causado por influencias externas (químicas, físicas, impactos) o sustancias extrañas
  - desgaste normal de piezas de repuesto
  - uso inadecuado, sobrecarga de la herramienta
  - uso de accesorios o piezas no aprobados
  - Accesorios de herramientas eléctricas proporcionados con la herramienta o comprados por separado. Tales exclusiones incluyen, entre otros, brocas de destornilladores, brocas de taladro, discos abrasivos, papel de lija y cuchillas, y juntas laterales
  - Componentes (piezas y accesorios) sujetos a un desgaste natural, que incluyen, entre otros, equipos de servicio y mantenimiento, escobillas de carbono, cojinetes, pinzas, accesorio o recepción de broca de taladro SDS, cable eléctrico, manillar auxiliar, bolsa de transporte, hoja lijadora, bolsa de polvo, tubo de escape de polvo, disco de fieltro, pasadores y resortes de llave de impacto, etc.
- Para su mantenimiento, el producto debe enviarse o presentarse a una estación de servicio de RYOBI autorizada que figure en la siguiente lista de direcciones de estaciones de servicio por países. En algunos países, su distribuidor RYOBI local se responsabiliza de enviar el producto a la compañía de servicio de RYOBI. Cuando se envíe un producto a una estación de servicio de RYOBI, este debe estar empaquetado de forma segura sin contenidos peligrosos como gasolina, marcado con la dirección del remitente y acompañado de una breve descripción del fallo.
- Una reparación / sustitución con esta garantía es gratuita. No constituye una ampliación ni un nuevo comienzo del periodo de garantía. Las piezas o herramientas intercambiadas pasan a ser de nuestra propiedad. En algunos países, los gastos de envío o correo tendrán que pagarlos el remitente. Sus derechos legales derivados de esta compra de la herramienta no se verán afectados.
- Esta garantía es válida en la Comunidad Europea, Suiza, Islandia, Noruega, Liechtenstein, Turquía, Rusia y el Reino Unido. Fuera de estas zonas, póngase en contacto con su distribuidor de RYOBI autorizado para determinar si es aplicable otra garantía.

### SERVICIO TÉCNICO AUTORIZADO

Cualquier solicitud o problema relacionado con el producto se puede remitir a su centro de servicio autorizado local (visite [www.ryobitools.eu](http://www.ryobitools.eu)) o directamente a: Technonic Industries GmbH, Max Eyth Straße 10, 71364 Winnenden, Germany. Indique el número de serie y el tipo de producto que aparecen impresos en la etiqueta.

## IT CONDIZIONI DI VALIDITÀ DELLA GARANZIA RYOBI®

In aggiunta ai diritti di legge risultanti dall'acquisto, il prodotto è coperto dalla garanzia sotto descritta.

1. Il periodo di garanzia è di 24 mesi per i consumatori, a decorrere dalla data di acquisto del prodotto. La data deve essere documentata da una fattura o altra prova d'acquisto. Il prodotto è progettato e destinato solo all'utilizzo privato dei consumatori. Pertanto non viene fornita alcuna garanzia in caso di uso professionale o commerciale.
2. Per una serie di utensili elettrici (CA/CC) è possibile prolungare il periodo di garanzia oltre quello descritto, registrandosi sul sito web [www.ryobitools.eu](http://www.ryobitools.eu). Gli utensili per i quali è possibile prolungare il periodo di garanzia sono chiaramente indicati nei negozi e/o sulle confezioni e nella documentazione dei prodotti. L'utente deve registrare online l'utensile acquistato entro 30 giorni dalla data di acquisto. L'utente può registrarsi per la garanzia prolungata nel proprio paese di residenza, se questo è elencato nel modulo di registrazione online dove questa opzione sia valida. Inoltre gli utenti devono fornire il proprio consenso alla conservazione dei dati da immettere online e devono accettare le condizioni generali. La conferma di registrazione, inviata tramite e-mail, e la fattura originale indicante la data di acquisto, costituiranno la prova della garanzia prolungata.
3. La garanzia copre tutti i difetti del prodotto durante il periodo di garanzia, risultanti da manodopera o materiali alla data di acquisto. La garanzia è limitata alla riparazione e/o sostituzione e non include alcun altro obbligo quali: a mero titolo esemplificativo, i danni incidentali o consequenziali. La garanzia non è valida se il prodotto è stato usato scorrettamente, in modo contrario al manuale di istruzioni o se è stato collegato in modo errato. La garanzia non è valida per:
  - qualsiasi danno al prodotto dovuto a manutenzione errata;
  - qualsiasi prodotto che sia stato alterato o modificato;
  - qualsiasi prodotto le cui marcature di identificazione originali (marchi di fabbrica, numero di serie) siano state cancellate, alterate o rimosse;
  - qualsiasi danno causato dalla non osservanza delle istruzioni del manuale;
  - qualsiasi prodotto privo di omologazione CE;
  - qualsiasi prodotto che sia stato sottoposto a un tentativo di riparazione da parte di un professionista non qualificato oppure senza la previa autorizzazione di Techtronic Industries;
  - qualsiasi prodotto collegato a un'alimentazione errata (per ampere, tensione, frequenza);
  - qualsiasi danno causato da influenze esterne (chimiche, fisiche, urti) o sostanze estranee;
  - la normale usura delle parti di ricambio;
  - uso inappropriato, sovraccarico dell'utensile;
  - uso di accessori o parti non omologate;
  - accessori per utensili elettrici forniti con l'utensile o acquistati separatamente. Questa esclusione comprende, a mero titolo esemplificativo, punte per cacciaviti, punte per trapani, dischi abrasivi, carta vetrata, lame e guide laterali;
  - componenti (parti e accessori) soggetti alla normale usura compresi, a mero titolo esemplificativo, kit di servizio e manutenzione, spazzole al carbonio, cuscinetti, mandrini, attacchi per punte a vite autopoterforante, cavi di alimentazione, maniglie ausiliarie, custodie di trasporto, piastre di levigatura, sacchetti per la polvere, tubi di scarico della polvere, rondelle di feltro, perni e molle per avvitatori ecc.
4. Per la manutenzione il prodotto dev'essere spedito o portato presso uno dei centri assistenza autorizzati RYOBI elencati per ogni paese nel seguente elenco di indirizzi dei centri. In alcuni paesi il rivenditore locale RYOBI si incarica di inviare il prodotto all'organizzazione di assistenza RYOBI. Quando si invia un prodotto a un centro assistenza RYOBI, imballarlo in modo sicuro senza contenuti pericolosi come la benzina, apporre l'indirizzo del mittente e accompagnarlo da una breve descrizione del guasto.
5. La riparazione/sostituzione ai sensi della presente garanzia è gratuita. Non costituisce un prolungamento o un nuovo inizio del periodo di garanzia. Le parti o gli utensili scambiati diventano di nostra proprietà. In alcuni paesi i costi di consegna o di spedizione postale devono essere pagati dal mittente. I diritti di legge derivanti dall'acquisto dell'utensile rimangono inalterati.
6. La presente garanzia è valida in Comunità Europea, Svizzera, Islanda, Norvegia, Liechtenstein, Turchia, Russia e Regno Unito. Al di fuori di tali aree contattare il rivenditore autorizzato RYOBI per sapere se è valida un'altra garanzia.

### CENTRO SERVIZI AUTORIZZATO

Qualsiasi richiesta o problema con il prodotto può essere indirizzato ai centri di assistenza autorizzati locali (visitare [www.ryobitools.eu](http://www.ryobitools.eu)) o direttamente a: Techtronic Industries GmbH, Max Eyth Straße 10, 71364 Winnenden, Germany. Si prega di indicare il numero di serie e il tipo di prodotto stampati sull'etichetta.

## NL RYOBI® GARANTIEVOORWAARDEN

Naast de wettelijke rechten die voortvloeien uit de aankoop, wordt dit product gedekt door een garantie, zoals hieronder staat vermeld.

1. De garantietermijn voor consumenten bedraagt 24 maanden en gaat in op de datum waarop het product is gekocht. Deze datum moet worden gedocumenteerd met een factuur of een ander aankoopbewijs. Het product is uitsluitend ontworpen en bedoeld voor persoonlijk gebruik door consumenten. Er wordt dus geen garantie gegeven voor professioneel of commercieel gebruik.
2. Voor een deel van ons aanbod van elektrische gereedschappen (AC/DC) is het mogelijk om de garantietermijn te verlengen over de boven beschreven termijn, met behulp van de website [www.ryobitools.eu](http://www.ryobitools.eu). De gereedschappen die in aanmerking komen voor de verlenging van de garantietermijn wordt duidelijk weergegeven in winkels en/of verpakkingen en staat beschreven in de productdocumentatie. De eindgebruiker moet zijn/haar nieuw gekochte gereedschappen binnen 30 dagen na aankoop online registreren. De eindgebruiker kan zich registreren voor de verlengde garantietermijn als zijn woonland staat vermeld op het online registratieformulier waar deze optie geldig is. Bovendien moeten eindgebruikers toestemming geven voor de opslag van de gegevens die online ingevuld moeten worden en moeten ze de algemene voorwaarden accepteren. Het ontvangstbewijs van de registratie, dat per e-mail wordt verzonden en de oorspronkelijke factuur met de aankoopdatum vormt het bewijs van de verlengde garantietermijn.
3. De garantie dekt tijdens de garantietermijn alle gebreken van het product vanwege defecten in vakmanschap of materiaal op de aankoopdatum. De garantie is beperkt tot reparatie en/of vervanging en bevat geen andere verplichtingen, waaronder maar niet beperkt tot incidentele of gevolgschade. De garantie is niet geldig als het product is misbruikt, in strijd met de gebruiksaanwijzing wordt gebruikt of onjuist is aangesloten. Deze garantie geldt niet voor:
  - alle schade aan het product die het gevolg is van onjuist onderhoud
  - elk product dat is veranderd of aangepast
  - elk product waar de oorspronkelijke identificatie (handelsmerk, serienummer) is beschadigd, gewijzigd of verwijderd
  - alle schade die is veroorzaakt door het niet opvolgen van de gebruiksaanwijzing
  - elk niet-CE-product
  - elk product waar een poging tot reparatie is gedaan door een niet-erkende professional of zonder voorafgaande toestemming door Techtronic Industries.
  - elk product dat is verbonden met een verkeerde voeding (amperage, spanning, frequentie)
  - alle schade die is veroorzaakt door externe invloeden (chemisch, fysisch, schokken) of vreemde stoffen
  - normale slijtage van reserveonderdelen
  - ongepast gebruik, overbelasting van het gereedschap
  - gebruik van niet-goedgekeurde accessoires of onderdelen
  - gereedschapsaccessoires die bij het gereedschap worden geleverd of afzonderlijk zijn aangeschaft. Zulke uitzonderingen bevatten, maar niet beperkt tot schroevendraaierbits, boorbits, slijpschijven, schuurpapier en zagen, laterale geleiding
  - Componenten (onderdelen en accessoires) die onderhevig zijn aan natuurlijke slijtage, waaronder maar niet beperkt tot service- en onderhoudsets, koolstofborstels, lagers, boorkoppen, SDS boorbitbevestigingen of ontvangers, stroom snoeren, hulpgrepen, transporttassen, schuurplateaus, stofzakken, stofvoertuizen, viltlingen, pennen en veren van slagmoerstuetsels, etc.
4. Voor onderhoud moet het product worden verzonden of gebracht naar een erkend servicestation van RYOBI die voor elk land staan vermeld in de volgende lijst met adressen voor servicestations. In sommige landen zal uw lokale RYOBI-dealer het product verzenden naar de RYOBI-serviceorganisatie. Wanneer u het product naar een servicestation van RYOBI verzendt, moet het product veilig worden verpakt zonder enige gevaarlijke inhoud, zoals benzine, met het adres van de afzender en vergezeld van een korte beschrijving van het defect.
5. Een reparatie/vervangings die onder deze garantie valt is gratis. Het vormt geen verlenging of een nieuwe start van de garantietermijn. Verwisselde onderdelen of gereedschappen worden ons eigendom. In sommige landen moeten de verzendkosten door de afzender worden betaald. Uw wettelijke rechten die voortvloeien uit de aankoop van het gereedschap blijven onaangetast.
6. Deze garantie is geldig binnen de Europese Gemeenschap, Zwitserland, IJsland, Noorwegen, Liechtenstein, Turkije, Rusland en het Verenigd Koninkrijk. Buiten deze gebieden moet u contact opnemen met uw erkende RYOBI-dealer om vast te stellen of er een andere garantie van toepassing is.

### GEAUTORISEERD ONDERHOUDSCENTRUM

Elk verzoek of probleem met het product kan worden gericht aan uw lokale geautoriseerde servicecentra (bezoek [www.ryobitools.eu](http://www.ryobitools.eu)) of rechtstreeks aan: Techtronic Industries GmbH, Max Eyth Straße 10, 71364 Winnenden, Germany. Vermeld het serienummer en het type product dat op het etiket staat.

## PT CONDIÇÕES DE APLICAÇÃO DA GARANTIA RYOBI®

Para além de quaisquer direitos previstos por lei resultantes da compra, este produto está coberto por uma garantia conforme descrição abaixo.

1. O período da garantia é de 24 meses para consumidores particulares e inicia-se na data de compra do produto. Esta data tem de ser documentada por uma factura ou por outra prova de compra. O produto foi concebido para e destina-se apenas a consumidores particulares e uso privado. Assim, não é dada garantia em caso de utilização por profissionais ou uso comercial.
2. Para uma parte da gama de ferramentas eléctricas (AC/DC) existe a possibilidade de prolongamento do período da garantia para além do período descrito acima, mediante registo no Web site [www.ryobitools.eu](http://www.ryobitools.eu). A elegibilidade das ferramentas para prolongamento do período da garantia é claramente visível nas lojas e/ou nas embalagens e está contida na documentação do produto. O utilizador final tem de fazer o registo online das suas ferramentas recém-adquiridas no prazo de 30 dias após a data de compra. O utilizador final pode fazer o registo para prolongamento da garantia no seu país de residência, desde que esteja listado no formulário de registo online e para os casos em que esta opção seja válida. Para além disso, os utilizadores finais têm de autorizar o armazenamento dos dados cujo preenchimento lhes for solicitado online e têm de aceitar os termos e as condições. O recibo de confirmação do registo é enviado por e-mail e, em conjunto com a factura original ostentando a data de compra, servirá de prova do prolongamento da garantia.
3. A garantia cobre todos os defeitos do produto durante o período da garantia devidos a defeitos de fabrico ou de material à data da compra. A garantia está limitada à reparação e/ou substituição e não inclui quaisquer outras obrigações, incluindo mas não se limitando a perdas complementares ou indirectas. A garantia não é válida se o produto tiver sido utilizado incorrectamente, utilizado de forma contrária ao Manual de Instruções ou se as respectivas ligações tiverem sido feitas incorrectamente. Esta garantia não se aplica ao seguinte:
  - quaisquer danos ao produto que sejam resultado de manutenção incorrecta
  - qualquer produto que tenha sido alterado ou modificado
  - qualquer produto cujas marcações de identificação de origem (marca comercial, número de série) tiverem sido apagadas, alteradas ou retiradas
  - quaisquer danos causados pelo incumprimento do Manual de Instruções
  - qualquer produto que não seja da Comunidade Europeia
  - qualquer produto ao qual tenha sido feita, ou tentada fazer, uma reparação por outra pessoa que não um profissional habilitado ou sem autorização prévia da Techtronic Industries.
  - qualquer produto ligado a uma fonte de alimentação eléctrica incorrecta (Amperes, Voltagem e Frequência)
  - qualquer dano causado por influências externas (químicas, físicas, impactos) ou substâncias estranhas
  - desgaste e degradação normal de sobresselentes
  - utilização incorrecta, sobrecarga da ferramenta
  - utilização de acessórios ou peças não aprovados
  - acessórios para ferramentas eléctricas fornecidos com a ferramenta ou comprados em separado. Estas exclusões incluem mas não se limitam a, pontas de aparafusadora, brocas, discos abrasivos, papel de lixa e lâminas, guia lateral
  - Componentes (peças e acessórios) sujeitos a desgaste e degradação natural, incluindo mas não se limitando a, Kits de Assistência e Manutenção, escovas de carvão, rolamentos, bucha, acessórios ou recepções de brocas SDS, cabos eléctricos, pegas auxiliares, estojos de transporte, placas de lixagem, sacos de poeiras, tubos de saída de poeiras, anilhas de feltro, pinos e molas da aparafusadora de impacto, etc.
4. Para assistência, o produto tem de ser enviado para, ou apresentado em, um posto de assistência autorizado RYOBI, conforme listado para cada país na lista de moradas de postos de assistência seguinte. Nalguns países, o seu concessionário RYOBI local encarrega-se de enviar o produto para a organização de assistência RYOBI. Quando enviar um produto para um posto de assistência RYOBI, o produto deve ser embalado de forma segura, sem conter nenhuns conteúdos perigosos (por exemplo, gasolina), marcado com o endereço do remetente e acompanhado por uma breve descrição da avaria.
5. Uma reparação/substituição ao abrigo desta garantia é gratuita. Não constitui um prolongamento a, nem um novo início de, o período da garantia. As peças ou ferramentas substituídas tornam-se propriedade nossa. Nalguns países, o remetente terá de pagar os custos de entrega ou a remessa postal. Os seus direitos previstos por lei resultantes da compra da ferramenta mantêm-se inalterados
6. Esta garantia é válida na Comunidade Europeia, Suíça, Islândia, Noruega, Liechtenstein, Turquia, Rússia e Reino Unido. Fora destas áreas, entre em contacto com o seu concessionário autorizado RYOBI para determinar se existe outra garantia aplicável.

### CENTRO DE ASSISTÊNCIA AUTORIZADO

Qualquer pedido ou problema relacionado com o produto pode ser encaminhado para os seus centros de reparação autorizados locais (visite [www.ryobitools.eu](http://www.ryobitools.eu)) ou directamente para: Techtronic Industries GmbH, Max Eyth Straße 10, 71364 Winnenden, Germany. Indique o número de série e o tipo de produto impressos na etiqueta.

## DA RYOBI® BETINGELSER FOR GARANTI

Udover lovbestemte rettigheder, som resulterer af købet, er dette produkt dækket af en garanti, som anført herunder.

1. Garantiperioden er 24 måneder for forbrugere og begynder på den dato, som produktet blev købt. Denne dato skal dokumenteres af en faktura eller andet bevis for køb. Produktet er udelukkende designet og dedikeret til forbrugere og privat brug. Så der ydes ingen garanti i tilfælde af professionel eller kommerciel brug.
2. Der er en mulighed for at forlænge garantiperioden for en del af udvalget af elværktøj (AC/DC), hen over den ovenfor beskrevne periode vha. registrering på hjemmesiden [www.ryobitools.eu](http://www.ryobitools.eu). Betingelsen for værkøjet til forlængelse af garantiperioden er tydeligt vist i butikker og/eller på emballage og indeholdt i produktokumentationen. Slutbruger skal registrere hans/hendes nyligt indkøbte værktøj online indenfor 30 dage efter købsdatoen. Slutbruger kan registrere sig for den forlængede garanti i sit land, hvis han/hun er opført på den online registreringsformular, hvor denne mulighed er gyldig. Derudover skal slutbruger give deres samtykke til at opbevare data, som er påkrævet at indtaste online, og de er nødt til at acceptere vilkår og betingelser. Registreringsbekræftelseskvitteringen, som sendes ud på e-mail, og den originale faktura, som viser købsdatoen, vil fungere som bevis for den forlængede garanti.
3. Garantien dækker alle defekter, som et produkt måtte have i løbet af garantiperioden, og som skyldes produktionsfejl eller materialefejl på købsdatoen. Garantien er begrænset til reparation og/eller udskiftning og inkluderer ikke andre forpligtelser, inklusiv men ikke begrænset til tilfældige skader eller følgeskader. Garantien er ugyldig, hvis produktet er blevet misbrugt, brugt uden at overholde vejledningen, eller det er blevet forkert tilsat. Denne garanti gælder ikke:
  - Beskadigelse af produktet, som er et resultat af uegnet vedligeholdelse
  - Et produkt der er blevet ændret eller modificeret
  - Et produkt hvor de originale identifikationsmærkninger (varemærke, serienummer) er blevet ødelagt, ændret eller fjernet.
  - Enhver beskadigelse forårsaget af manglende overholdelse af vejledningen
  - Ethvert ikke CE-produkt
  - Ethvert produkt som er blevet forsøgt repareret af en ukvalificeret professionel eller uden tidligere autorisation af Techtronic Industries.
  - Ethvert produkt som er tilsat uegnet strømforsyning (ampere, spænding, frekvens)
  - Enhver skade forårsaget af ekstern påvirkning (kemisk, fysisk, chok) eller fremmedelementer
  - Normal slid på reservedele
  - Uegnet brug, overbelastning af værktøjet
  - Brug af ikke-godkendt tilbehør eller dele
  - Elværktøjstilbehør som leveres med værktøjet eller købes separat. Sådanne undtagelser inkluderer men er ikke begrænset til skruetrækkerbits, bor, bits, silbeskiver, sandpapir og klinger, sideslyr
  - Komponenter (dele og tilbehør) som er udsat for naturligt slid og ælde, inklusiv men ikke begrænset til Service- og vedligeholdelsesæt, kulbørster, lejer, bøsninger, påsætning eller modtagelse af SDS-bor, El ledning, hjælpéhåndtag, transporttaske, sandplade, støvpose, støvudsledningslange, filtskiver, nåle og fjedre slagøgle etc.
4. For eftersyn skal produktet sendes til eller præsenteres for en RYOBI-autoriseret service værksted, som er oplistet for hvert land i den følgende liste over service værksted adresser. I nogle lande påtager din lokale RYOBI-forhandler sig ansvaret for at sende produktet til RYOBI-serviceorganisationen. Når et produkt sendes til en RYOBI-service værksted, skal det pakkes sikkert ind uden noget farligt indhold som benzin, mærkes med afsendernes adresse og med en kort beskrivelse af fejlen.
5. En reparation/erstatning under denne garanti er gratis. Den udgør ikke en forlængelse eller en ny start på garantiperioden. Udvæslede dele eller værktøjer bliver vores ejendom. I nogle lande skal leveringsafgifter eller porto betales af afsenderen. Denne lovbestemte rettigheder i forbindelse med købet forbliver uanfægtede
6. Denne garanti gælder i EU, Schweiz, Island, Norge, Liechtenstein, Tyrkiet, Rusland og Storbritannien. Udenfor disse områder bedes du kontakte din autoriserede RYOBI-forhandler for at afgøre, om en anden garanti gælder.

### AUTORISEREDE SERVICEVÆRKSTEDER

Enhver anmodning eller problem angående produktet kan adresseres til dine lokale autoriserede servicecentre (gå ind på [www.ryobitools.eu](http://www.ryobitools.eu)) eller direkte til: Techtronic Industries GmbH, Max Eyth Straße 10, 71364 Winnenden, Germany. Angiv serienummer og produkttype, der er trykt på etiketten.

## SV RYOBI® ANVÄNDNINGSVILLKOR FÖR GARANTI

Förutom eventuella lagstadgade rättigheter som uppstår genom köpet, täcks den här produkten av en garanti som anges nedan.

- Garantiperioden är 24 månader för konsumenter och börjar gälla från det datum då produkten köptes. Detta datum måste dokumenteras på en faktura eller annat köpbevis. Produkten är utformad och avsedd för konsumenter och privat bruk. Därmed tillhandahålls ingen garanti vid yrkesmässig eller kommersiell bruk.
- Det finns möjlighet att förlänga garantiperioden för en del av utbudet för elverktyg (AC/DC) under den period som anges ovan genom att använda registreringen på webbplatsen [www.ryobitools.eu](http://www.ryobitools.eu). De verktyg som är berättigade till en förlängning av garantiperioden visas tydligt i butiker och/eller på förpackningen/och anges i produktdokumentationen. Slut användaren behöver registrera hans/hennes nyförvärvade verktyg online inom 30 dagar från köpdatumet. Slut användaren kan registrera sig för den förlängda garantin i det land där han/hon bor om landet finns angivet i registreringsformuläret online och där detta alternativ är giltigt. Dessutom måste slut användaren ge sitt medgivande till lagring av data vilket krävs vid registrering online samt acceptera villkoren. Bekräftelsekvittot för registreringen som skickas ut via e-post och originalfakturan som visar köpdatumet kommer att gälla som bevis för den förlängda garantin.
- Garantin täcker alla produktdefekter under garantiperioden som beror på brister i utförande eller material vid köpdatumet. Garantin är begränsad gällande reparation och/eller utbyte och inkluderar inte några skyldigheter inklusive men inte begränsat till oförutsedda skador eller feljäskador. Garantin är inte giltig om produkten har missbrukats, använts i strid med bruksanvisningen eller inte anslutits på rätt sätt. Denna garanti täcker inte:
  - eventuella skador på produkten som uppstått till följd av felaktigt underhåll
  - produkter som har ändrats eller modifierats
  - produkter där ursprungliga identifieringsmärkingar (varumärke, serienummer) har målats över, ändrats eller tagits bort
  - eventuella skador som uppstått till följd av att bruksanvisningen inte efterföljts
  - alla icke CE-produkter
  - eventuella produkter som har försökts repareras av en icke-kvalificerad yrkesman eller utan föregående medgivande från Techtronic Industries.
  - eventuella produkter som anslutits till felaktig strömförsörjning (ampere, volt, frekvens)
  - eventuella skador som uppstått till följd av yttre påverkan (kemisk, fysisk, stöt) eller främmande ämnen
  - normalt slitage av reservdelar
  - olämplig användning, överbelastning av verktyget
  - användningen av icke-godkända tillbehör eller delar
  - tillbehör till elverktyg som medföljde verktyget eller köpts separat. Sådana undantag inkluderar men är inte begränsat till skruvmejselbits, borrbits, slipskivor, sandpapper, blad och sidoskena
  - Komponenter (delar och tillbehör) är föremål för naturligt slitage, inklusive men inte begränsat till service- och underhållsatsar, kolborstar, kullager, chuck, tillbehör eller tillhörande SDS-borrbit, strömsladd, hjälphanntag, transportväska, sliplatta, dampmpåse, dammutblåsör, filterbrickor, stift och fjädrar till mutterdragare osv.
- Vid service måste produkten skickas eller uppvisas för en RYOBI- auktoriserad servicestation som står angiven för varje land i följande adresslista över servicestationer. I vissa länder tar din lokala RYOBI-återförsäljare på sig ansvaret att skicka produkten till RYOBI-serviceorganisationen. När en produkt skickas till en RYOBI-servicestation, ska produkten paketeras säkert utan något farligt innehåll såsom bensin, markeras med avsändarens adress samt en kort beskrivning av felet.
- En reparation/ett utbyte under denna garanti är kostnadsfri. Det utgör inte en förlängning eller förnyelse av garantiperioden. Utbyta delar eller verktyg blir vår egendom. I vissa länder måste leveranskostnader eller porto betalas av avsändaren. Dina lagstadgade rättigheter som härrör från köpet av verktyget förblir opåverkade
- Denna garanti är giltig i Europeiska gemenskapen, Schweiz, Island, Norge, Liechtenstein, Turkiet, Ryssland och Storbritannien. Utanför dessa länder, kontakta din auktoriserade RYOBI-återförsäljare för att avgöra om en annan garanti gäller.

### AUKTORISERAT SERVICECENTER

Varje begäran eller problem avseende produkten kan adresseras till ditt lokala auktoriserade servicecenter (besök [www.ryobitools.eu](http://www.ryobitools.eu)) eller direkt till: Techtronic Industries GmbH, Max Eyth Straße 10, 71364 Winnenden, Germany. Ange serienumret och produkttypen som anges på etiketten.

## FI RYOBI®-TAKUUN SOVELTAMISEHDOT

Tällä tuotteella on oston luomin lakisäästeisten oikeuksien ohella alla mainitun mukainen takuu.

- Takuun kesto on kuluttajille 24 kuukautta ja takuuaika alkaa tuotteen ostohetkestä. Tämän päivämäärän tulee lukea laskussa tai muussa ostosititeessa. Tuote on suunniteltu ja tarkoitettu vain kuluttajien ja yksityiseen käyttöön. Takuu ei siis kata ammatti- eikä kaupallista käyttöä.
- Joidenkin sähkötyökälujen (AC/DC) takuun kesto on mahdollista laajentaa yllä mainittua kestoä pidemmäksi verkkosivuston [www.ryobitools.eu](http://www.ryobitools.eu) rekisteröinnin kautta. Työkälujen kelpoisuus takuukäyttöön laajennukseen näkyy selkeästi myymälöissä ja/tai pakkaussissa ja/tai tämä tieto sisältyy tuotetiedokumentaation. Loppukäyttäjän täytyy rekisteröidä vasta hankitut työkalut internetissä 30 päivän kuluessa ostopäivämäärästä. Loppukäyttäjät voi rekisteröidä laajennettun takuun kotimaassaan, jos se on luetteluna online-rekisteröintilomakkeessa, jossa mainitaan, missä tämä vaihtoehto on voimassa. Loppukäyttäjien täytyy lisäksi hyväksyä tietojen tallennus, jotka heidän täytyy antaa online-tilassa sekä ehdot. Rekisteröinnin vahvistuskuitti, joka lähetetään sähköpostitse, ja alkuperäinen ostopäivämäärän ilmaiseva lasku toimivat laajennettun takuun tosittaina.
- Takuu kattaa kaikki tuotteeseen takuuaikana tulevat viat, joiden aiheuttajina ovat tuotteessa ostopäivänä olleet valmistus- tai materiaaliviat. Takuu on rajoitettu korjaukseen ja/tai vaihtoon eikä se sisällä mitään muita velvoitteita mukaan lukien satunnaisia ja seurannaisvahinkoja, mutta rajoittumatta niihin. Takuu ei päde, jos tuotetta on käytetty väärin, käyttöohjeen vastaisesti tai jos se on liitetty virheellisesti. Tämä takuu ei kata:
  - virheellisestä huollosta johtuvia vaurioita
  - muunnettua tai muutettua tuotetta
  - tuotetta, jonka alkuperäiset tunnistemerkinnät (tavaramerkki, sarjanumero) on tummeltu, muutettu tai poistettu
  - tämän käyttöoppaan laiminlyönnistä johtuvia vaurioita
  - ei-CE-tuotetta
  - tuotetta, jota on yrittänyt korjata epäpätevä ammattilainen tai joka on korjattu ilman Techtronic Industries ennakkulupaa.
  - tuotetta, joka on liitetty virheelliseen toelahteeseen (ampeirit, jännite, taajuus)
  - ulkoisten vaikutusten (kemiallinen, fyysinen, iskut) tai vieraiden aineiden aiheuttamaa vauriota
  - normaaleja kuluvia varaosia
  - virheellistä käyttöä, työkalun ylikuormitusta
  - ei-hyväksytyjen tarvikkeiden tai osien käyttöä
  - sähkötyökäluun tarvikkeita, jotka on toimitettu työkalun mukana tai ostettu erikseen. Poissuljettuja osia ovat ruuvausterät, poranterät, hiomalaikat, hiekkapaperi ja terät, sivuhohjan, näihin kuitenkaan rajoittumatta
  - Luonnollisesti kuluvia komponentteja (osia tai tarvikkeita), joihin sisältyvät huolto- ja kunnossapitosetit, hiiliharjat, laakerit, terästäukat, SDS-porien kiinnittin tai istukka, virtajohto, apukahva, kuljetuskotelo, hiomalaikka, polyypussi, polynpoistoputki, huopatiivisteet, iskunvääntimen pulitit ja jouset yms. näihin kuitenkaan rajoittumatta.
- Tuote on lähetettävä huollettavaksi valtuutettuun RYOBI-huoltoon tai näytettävä siellä. Niiden osoitteet kussakin maassa löytyvät seuraavasta luettelosta. Joissakin maissa paikallinen RYOBI-jälleenmyyjä huolehtii tuotteen lähetyksestä RYOBI-huolto-organisaation. Kun tuote lähetetään RYOBI-huoltoon, se täytyy pakata hyvin ilman vaarallisia aineita, kuten polttoainetta, ja pakkaukseen täytyy merkitä lähettäjän nimi sekä vian lyhyt kuvaus.
- Takuun kattama korjaus/vaihto on maksuton. Se ei tarkoita takuuaajan laajennusta tai alkamista alusta. Vaihdetut osat tai työkalut siirtyvät valmistajan omistukseen. Joissakin maissa lähettäjän täytyy maksaa lähetyskustannukset tai postikulut. Työkäluun oston luoat makisäästeiset oikeudet pysyvät koskemattomina
- Tämä takuu on voimassa Euroopan yhteisössä, Sveitsissä, Islannissa, Norjassa, Liechtensteinissa, Turkissa, Venäjällä ja Yhdistyneessä kuningaskunnassa. Ota näiden alueiden ulkopuolella yhteyttä omaan valtuutettuun RYOBI-jälleenmyyjään ja selvitä, onko jollain muuta takuuta.

### VALTUUTETTU HUOLTO

Kaikki tuotteeseen liittyvät pyynnöt tai kysymykset voidaan osoittaa paikallisille valtuutetuille huoltoilikoille (katso [www.ryobitools.eu](http://www.ryobitools.eu)) tai suoraan osoitteeseen: Techtronic Industries GmbH, Max Eyth Straße 10, 71364 Winnenden, Germany. Ilmoita tarraan painettu sarjanumero ja tuotetyyppi.

## **NO** RYOBI® GARANTIBETINGELSER

I tillegg til eventuelle lovbestemte rettigheter som følger av kjøpet, er dette produktet dekket av en garanti som angitt nedenfor.

1. Garantiperioden er 24 måneder for konsumenter og gjelder fra den datoen som produktet ble kjøpt. Denne datoen skal dokumenteres med en faktura eller annet kjøpsbevis. Produktet er designet og beregnet kun til konsument- og privat bruk. Så det gis ingen garanti ved profesjonell eller kommersiell bruk.
2. For en del av utvalget av elektriske verktøy (AC/DC) er det muligst til å utvide garantiperioden i den perioden som er beskrevet ovenfor ved bruk av registreringene på nettsidene [www.ryobitools.eu](http://www.ryobitools.eu). Kvalifiseringen av verktøyene for en utvidelse av garantiperioden er tydelig vist i butikker og/eller på pakningen / og finnes innen produktdokumentasjonen. Sluttbrukeren må registrere sine nylig anskaffede verktøy online innen 30 dager etter kjøpsdato. Sluttbrukeren kan registrere seg for den utvidede garantien i sitt land hvis det er opplistet på online registreringsskjemaet der dette alternativet er gyldig. Videre må sluttbrukeren gi sitt samtykke til oppbevaring av dataene som kreves for å gå online, og de må godta vilkår og betingelser. Registreringsbekreftelsen, som sendes ut på e-post, og den originale fakturaen som viser kjøpsdato, vil tjene som bevis for den utvidede garantien.
3. Garantien dekker alle defekter i produktet under garantiperioden på grunn av defekter i utførelse eller materiale på kjøpsdato. Garantien er begrenset til å reparere og/eller erstatte og inkluderer ikke noen andre forpliktelser, inkludert, men ikke begrenset til, tilfældige eller følgemessige skader. Garantien er ikke gyldig hvis produktet har blitt misbrukt, brukt på annen måte enn det som beskrives i bruksanvisningen eller er koblet til på feil måte. Denne garantien gjelder ikke for:
  - enhver skade på produktet som er resultat av utilstrekkelig vedlikehold
  - ethvert produkt som har blitt endret eller modifisert
  - ethvert produkt der de originale identifiseringsmerkene (varemerke, serienummer) har blitt uleselig, er endret eller fjernet
  - enhver skade som forårsakes av ikke-overholdelse av instruksjonshåndboken
  - ethvert ikke-CE-produkt
  - ethvert produkt som har blitt forsøkt reparert eller av en ikke-kvalifisert fagperson eller uten tidligere autorisasjon fra Techtronic Industries.
  - ethvert produkt tilkoblet feil strømforsyning (ampere, spenning, frekvens)
  - enhver skade som er forårsaket av eksterne påvirkninger (kjemiske, fysiske, støt) eller fremmede stoffer
  - normal slitasje og sliitereservedeler
  - feil bruk, overbelastning av verktøyet
  - bruk av ikke-godkjent tilbehør eller deler
  - Elektrisk verktøytilbehør levert med verktøyet eller kjøpt separat. Slike ekskluderinger, inkludert, men ikke begrenset til skrutrekkerbits, drillbits, slipedisker, sandpapir og blader, lateral føring
  - Komponenter (deler og tilbehør) som er utsatt for naturlig slitasje, inkludert, men ikke begrenset til service- og vedlikeholdsett, karbonbørster, lagre, chock, SDS-borrbiffeste eller -mottak, strømledning, hjelpehåndtak, transportbæreevneske, sandingsplate, støvpose, støvutslippsrør, filtpakninger, støttokkelpinner og fjær, osv.
4. For service må produktet sendes eller fremlegges for en RYOBI-autorisert servicestasjon opplistet for hvert land i den følgende listen over servicestasjonsadresser. I noen land sender den lokale RYOBI-forhandleren produktet til RYOBI serviceorganisasjonen. Ved å sende et produkt til en RYOBI servicestasjon skal produktet være sikkert pakket uten noe færlig innhold, slik som bensin, merket med senderens adresse og fulgt av en kort beskrivelse av feilen.
5. En reparasjon/erstatning under denne garantien er gratis. Den utgjør ingen forlengelse eller en ny start av garantiperioden. Utvekslede deler eller verktøy blir vår eiendom. I noen land vil leveringskostnader eller franking måtte betales av senderen. Dine lovbestemte rettigheter som oppstår fra kjøp av verktøyet forblir uberørt.
6. Denne garantien er gyldig i EU, Sveits, Island, Norge, Liechtenstein, Tyrkia, Russland og Storbritannia. Utenfor disse områdene ta kontakt med din autoriserte RYOBI-forhandler om en annen garanti gjelder.

### **AUTORISERT SERVICESENTER**

Enhver forespørsel eller problem med produktet kan henvises til de lokale autoriserte serviceentrene (se [www.ryobitools.eu](http://www.ryobitools.eu)) eller direkte til: Techtronic Industries GmbH, Max Eyth Straße 10, 71364 Winnenden, Germany. Angi serienummer og produkttype som er trykket på etiketten.

## **RU** УСЛОВИЯ ПРИМЕНЕНИЯ ГАРАНТИИ НА ПРОДУКЦИЮ RYOBI®

Помимо законных прав, возникающих при покупке, данное изделие покрывается гарантией в соответствии с приведенными ниже пунктами.

1. Гарантийный период для покупателя составляет 24 месяца с даты покупки изделия. Дата покупки должна быть подтверждена полностью заполненным гарантийным талоном и чеком о покупке. Данное изделие предназначено только для частного использования профессионалом. Поэтому гарантия не распространяется на использование в профессиональных или коммерческих целях.
2. Предусмотрена возможность продления для части изделий линейки электроинструментов (AC/DC) гарантийного периода с помощью регистрации на сайте [www.ryobitools.eu](http://www.ryobitools.eu). Право инструмента на продление гарантийного периода четко указано в магазинах и / или на упаковке / и содержится в сопутствующей инструменту документации. Конечный пользователь должен зарегистрировать свой приобретенный инструмент в течение 30 дней с даты покупки. Конечный пользователь может зарегистрировать свой инструмент на продление гарантии в стране своего проживания, если она указана в форме онлайн-регистрации. Кроме того, конечный пользователь должен дать свое согласие на хранение данных, которые необходимо ввести в онлайн-форму и принять правила и условия. Подтверждение регистрации, которое вы получите по электронной почте, заполненный гарантийный талон и оригинальный чек, в котором указана дата покупки, будут служить доказательством продленной гарантии.
3. Гарантия покрывает в течение гарантийного периода все дефекты качества или материала изделия на дату покупки. Гарантия ограничена ремонтом и / или заменой и не включает никакие другие обязательства, включая, но не ограничиваясь случайными или косвенными убытками. Гарантия становится недействительной, если изделие использовалось не по назначению, вопреки инструкциям, данным в Руководстве пользователя или было неправильно подключено. Настоящая гарантия не распространяется на:
  - любые повреждения изделия в результате неправильного технического обслуживания или недостаточного ухода за инструментом
  - любые изделия, подвергшиеся изменениям и модификации
  - любые изделия, оригинальные идентификационные отметки которого (торговая марка, серийный номер) были повреждены, изменены или удалены
  - любые повреждения, вызванные несоблюдением инструкций Руководства пользователя
  - любые изделия, не сертифицированные маркировкой "CE" для продажи в Европейском союзе
  - любые изделия, подвергшиеся попыткам ремонта неквалифицированным работником или без предварительного утверждения компании Techtronic Industries.
  - любые изделия, подключенные к неправильному источнику питания (сила тока, напряжение, частота)
  - любые повреждения, вызванные внешними воздействиями (химические, физические, удары) или посторонними веществами
  - естественный износ запасных деталей
  - несоответствующее использование, перегрузка инструмента
  - использование неутвержденных аксессуаров и неоригинальных запасных деталей
  - аксессуары электроинструментов, устанавливаемые с инструментом или приобретаемые отдельно. К этому списку относятся, но не исчерпывают его: сверла шуруповертов, дрели, абразивные диски, наждачную бумагу, лезвия и боковые направляющие
  - компоненты (детали и аксессуары), подверженные естественному износу и разрыву, включая, но не ограничиваясь наборы для технического обслуживания, угольные щетки, подшипники, патроны, переходники SDS, шаблы питания, дополнительные ручки, футляры для транспортировки, кабельные подошвы, пылесборники, трубки для отвода пыли, войлочные шайбы, штыри и пружины ударных ключей и др.
4. Для проведения технического обслуживания изделие следует направлять в авторизованные сервисные центры RYOBI, указанные для каждой страны в приведенном ниже списке адресов станций сервисного обслуживания. В некоторых странах местные дилеры RYOBI отправляют изделия в сервисные организации RYOBI. При отправке изделия в сервисный центр RYOBI, изделие должно быть безопасно упаковано и не содержать никаких опасных веществ, таких как бензин, должен быть подписан адрес отправителя и сопровождаться кратким описанием неисправности.
5. Ремонт / замена проводится в рамках настоящей гарантии бесплатно. Он не продлевает гарантию и не начинает новый гарантийный период. Заменяемые детали и инструменты становятся нашей собственностью. В некоторых странах отправитель должен оплачивать стоимость отправки. Ваши законные права, возникшие при покупке инструмента, остаются неизменными
6. Настоящая гарантия действительна в Европейском Сообществе, Швейцарии, Исландии, Норвегии, Лихтенштейне, Турции, России и Великобритании. Вне указанных территорий обращайтесь к своему авторизованному дилеру RYOBI, чтобы узнать, применяются ли условия каких-либо других гарантий.

### **УПОЛНОМОЧЕННЫЙ СЕРВИСНЫЙ ЦЕНТР**

При возникновении проблем с изделием обращайтесь в один из региональных авторизованных сервисных центров (см. [www.ryobitools.eu](http://www.ryobitools.eu)) или напрямую: Techtronic Industries GmbH, Max Eyth Straße 10, 71364 Winnenden, Germany. Укажите серийный номер и тип изделия, указанные на табличке.



## PL WARUNKI GWARANCJI RYOBI®

Oprócz praw ustawowych wynikających z zakupu produkt jest objęty gwarancją, której warunki podano poniżej.

- Okres gwarancyjny wynosi 24 miesiące dla konsumentów i rozpoczyna się w dniu zakupu produktu. Datę zakupu należy udokumentować fakturą lub innym dowodem zakupu. Produkt został zaprojektowany i jest przeznaczony do użytku konsumenckiego i prywatnego. W związku z tym gwarancja nie obejmuje zastosowań profesjonalnych i komercyjnych.
- Istnieje możliwość wydłużenia okresu gwarancyjnego dla części asortymentu narzędzi ręcznych z napędem mechanicznym (AC/DC) poprzez zarejestrowanie produktu na stronie internetowej [www.ryobitools.eu](http://www.ryobitools.eu). Kwalifikowalność narzędzi do wydłużenia okresu gwarancyjnego jest wyraźnie określona w sklepach i/lub na opakowaniu oraz w dokumentacji produktu. Użytkownik końcowy musi zarejestrować nowo kupione narzędzia online w ciągu 30 dni od daty zakupu. Użytkownik końcowy może zarejestrować się w celu przedłużenia gwarancji w swoim kraju zamieszkania, jeżeli jest on wymieniony w formularzu rejestracji online, gdzie opcja ta obowiązuje. Ponadto użytkownicy końcowi muszą wyrazić zgodę na przechowywanie danych, wprowadzanych na stronie internetowej i zaakceptować regulamin. Dowodem wydłużenia gwarancji jest wysłane pocztą elektroniczną potwierdzenie rejestracji i oryginal faktury potwierdzającej datę zakupu.
- Gwarancja obejmuje wszystkie wady produktu ujawnione w okresie gwarancyjnym wynikające usterek wykonania lub materiału obecných w dniu zakupu. Gwarancja jest ograniczona do naprawy i/lub wymiany i nie obejmuje żadnych innych zobowiązań, w tym między innymi odpowiedzialności za szkody przypadkowe lub wtórne. Gwarancja nie obowiązuje, jeżeli produkt był nieprawidłowo używany, używany niezgodnie z instrukcją lub nie był prawidłowo podłączony. Gwarancja nie obejmuje:
  - uszkodzenia produktu wynikającego z nieprawidłowej konserwacji,
  - produktu, który został zmieniony lub zmodyfikowany,
  - produktu, którego oryginalne oznaczenie (znak towarowy, numer seryjny) zostało zniszczone, zmienione lub usunięte,
  - jakiegokolwiek uszkodzeń wynikających z przestrzegania instrukcji,
  - jakiegokolwiek produktu bez certyfikatu CE,
  - jakiegokolwiek produktu, który próbowano naprawić z pomocą niewykwalifikowanej osoby lub bez uzyskania wcześniejszej zgody firmy Techtronic Industries,
  - jakiegokolwiek produktu podłączonego nie prawidłowego źródła zasilania (nieprawidłowe napięcie prądu, napięcie, częstotliwość),
  - jakiegokolwiek uszkodzeń spowodowanych wpływem czynników zewnętrznych (chemicznych, fizycznych, drgań) lub wystaniem obcych, np. normalnego zużycia części zamiennych,
  - nieprawidłowego użycia, przezielenia narzędzia,
  - stosowania niezatwierdzonych akcesoriów lub części,
  - akcesoriów narzędzi ręcznych z napędem mechanicznym dostarczonych z narzędziami lub kupionych oddzielnie. Takie wyłączenia obejmują, między innymi, wymienne ostrza wkrętaka, wiertła, tarcz cieplne, piły ścierny i ostrza, prowadnice boczną.
  - elementów (części i akcesoriów) podlegających naturalnemu zużyciu obejmujących, między innymi, zestawy do konserwacji i serwisu, szczotki węglowe, łożyska, uchwyty, przystawki wiertła SDS, gniazdo, przewód zasilania, uchwyty pomocnicze, skrzynie transportowe, płyty szlifierską, worek pyłowy, rurę odprowadzania pyłu, podkładki filcowe, kolki i sprężyny klucza udarowego itp.
- W celu serwisowania produkt należy wysłać lub okazać w autoryzowanym punkcie serwisowym RYOBI znajdującym się na przedstawionym poniżej wykazie punktów serwisowych w poszczególnych krajach. W niektórych krajach lokalny dystrybutor produktów RYOBI podejmuje się wysyłki produktu do centrum serwisowego RYOBI. W przypadku wysyłki do punktu serwisowego RYOBI produkt — pozbawiony jakiegokolwiek niebezpiecznych substancji, na przykład benzyny — należy bezpiecznie zapakować z dołącząc adres nadawcy oraz krótki opis usterek.
- Naprawa/wymiana w ramach niniejszej gwarancji jest bezpłatna. Nie stanowi jednak o przedłużeniu lub rozpoczęciu od nowa biegu okresu gwarancyjnego. Wymienione części lub narzędzia stają się naszą własnością. W przypadku niektórych krajów nadawca będzie musiał uregulować koszty dostawy lub opłaty pocztowe. Prawa ustawowe wynikające z zakupu narzędzia pozostają niezmienione.
- Niniejsza gwarancja obowiązuje we Wspólnocie Europejskiej, Szwajcarii, na Islandii, w Norwegii, a także w Liechtensteinie, Turcji, Rosji oraz Zjednoczonym Królestwie Wielkiej Brytanii i Irlandii Północnej. Poza tymi obszarami należy skontaktować się z autoryzowanym dostawcą produktów RYOBI i ustalić, czy obowiązuje inna gwarancja.

## AUTORYZOWANY PUNKT SERWISOWY

Wszelkie zapytania i problemy z produktem można zgłaszać do lokalnych autoryzowanych centrów serwisowych (patrz [www.ryobitools.eu](http://www.ryobitools.eu)) lub bezpośrednio do: Techtronic Industries GmbH, Max Eyth Straße 10, 71364 Winnenden, Germany. Prosimy o podanie wydrukowanego na etykiecie numeru seryjnego oraz typu produktu.

## CS ZÁRUČNÍ PODMÍNKY RYOBI®

Kromě zákonných práv vyplývajících z koupě výrobku se na tento výrobek vztahuje také níže uvedené záruka.

- Záruční doba pro spotřebitele je 24 měsíců a začíná datem nákupu výrobku. Datum musí být zaznamenáno na fakture nebo jiném dokladu o koupi. Tento výrobek je navržen a určen pouze pro soukromé účely spotřebitelů. Záruka se tedy nevztahuje na profesionální nebo komerční využití výrobku.
- U některých elektrických nástrojů (AC/DC) je možné záruční dobu prodloužit. K tomu je nutná registrace na stránkách [www.ryobitools.eu](http://www.ryobitools.eu). Možnost prodloužené záruční doby výrobku je jasně uvedena v prodejních, popř. na obalech nebo v dokumentech o výrobku. Koncový uživatel musí svůj nový nástroj zaregistrovat online do 30 dnů od data nákupu. Koncový uživatel se může k prodloužené záruční době zaregistrovat v zemi trvalého pobytu, pokud je tato uvedena na internetovém registračním formuláři u výrobku, kde je tato možnost dostupná. Koncoví uživatelé musí dále souhlasit s uložením osobních údajů, která musí zadat na internetu, a přijmout obchodní podmínky. E-mail s potvrzením registrace a původní faktura s datem koupě poslouží jako důkaz o prodloužené záruce.
- Záruka se vztahuje na veškeré vady na výrobku v rámci záruční doby způsobené výrobními vadami nebo vadami materiálu v době koupě. Záruka je omezena na opravu, popřípadě výměnu a nezahrnuje žádné další povinnosti, včetně mimo jiné vedlejších či následných odškodnění. Záruka neplatí při použití výrobku k nevhodným účelům, v rozporu s uživatelským příručkou nebo při nesprávném zapojení. Záruka se nevztahuje na:
  - veškeré škody na výrobku způsobené nesprávnou údržbou
  - veškeré produkty, které byly pozměněny nebo upraveny
  - veškeré produkty, kde byly původní identifikační prvky (obchodní značka, sériové číslo) poškozeny, pozměněny nebo odstraněny
  - veškeré škody způsobené nedodržováním pokynů uživatelské příručky
  - veškeré produkty bez CE certifikace
  - veškeré produkty, které se pokusil opravit nekvalifikovaný odborník nebo opravy bez předchozího svolení společnosti Techtronic Industries.
  - veškeré produkty zapojené do nesprávného elektrického zdroje (proud, napětí, frekvence)
  - veškeré škody způsobené externími vlivy (chemickými, fyzickými, nárazy) nebo cizími látkami
  - běžné opotřebování dílů
  - nevhodné použití, přetěžování nástroje
  - použití neschválených příslušenství nebo dílů
  - příslušenství k elektrickému nástroji poskytnutý s nástrojem nebo zakoupené samostatně. Tyto výjimky se vztahují mimo jiné na šroubováky bity, vrtáky, brusné disky, brusný papír a čepele, postranní vodič lišty
  - komponenty (díly a příslušenství) podléhající přirozenému opotřebování, včetně mimo jiné servisních sad, karbonových kartáčů, ložisek, sklíčidla, SDS nástavce na vrtací bity, napájecího kabelu, pomocné rukojeti, přepravního pouzdra, brusné desky, prachového vaku, výfukové prachové trubice, plstěných podložek, západek a pružin rázového utahovačku atd.
- K provedení servisu musí být výrobek zaslán nebo předán do autorizovaného servisního centra společnosti RYOBI, jejichž adresy jsou uvedeny podle země v seznamu servisních center. V některých zemích za vás výrobek pošle servisní organizaci RYOBI sám prodejce výrobků této značky. Při zasílání výrobku do servisního centra RYOBI je potřeba výrobek bezpečně zabalit bez nebezpečného obsahu jako benzín, opatřit adresou odesílatele a připojit krátký popis závady.
- Oprava, popř. výměna v rámci této záruky je zdarma. Neznamená to prodloužení nebo začátek nové záruční lhůty. Vyměněné díly nebo nástroje přejdou do našeho vlastnictví. V některých zemích platí poštovné odesílatele. Vaše zákonná práva vyplývající z koupě tohoto nástroje zůstávají nedotčena.
- Tato záruka platí v Evropském společenství, Švýcarsku, na Islandu, v Norsku, Lichtenštejnsku, Turecku, Rusku a Spojeném království. Mimo tato území kontaktujte autorizovaného prodejce značky RYOBI, který zjistí, zda se na výrobek vztahuje jiná záruka.

## POVĚŘENÉ SERVISNÍ STŘEDISKO

S požadavky nebo problémy týkajícími se tohoto výrobku se můžete obracet na místní pověřené servisní středisko (podle [www.ryobitools.eu](http://www.ryobitools.eu)) nebo přímo na: Techtronic Industries GmbH, Max Eyth Straße 10, 71364 Winnenden, Germany. Uveďte výrobní číslo a druh výrobku ze štítku.

## **HU** A RYOBI® GARANCIA ALKALMAZÁSÁNAK FELTÉTELEI

A vásárlásból adódó törvényben rögzített jogok mellett a termékre az alábbi garancia vonatkozik.

1. A fogyasztói garancia tartama 24 hónap, mely a termék vásárlásának napjával kezdődik. Ez a dátumot számvál vagy a vásárlást igazoló egyéb dokumentummal kell bizonyítani. A termék rendelkezése csak fogyasztói és magáncéli használat. Ezért professzionális vagy kereskedelmi használat esetén a garancia nem érvényes.
2. A szerszámgépek (egyenáramú/váltóáramú) egy részénél a garancia időtartama a [www.ryobitools.eu](http://www.ryobitools.eu) webapon regisztrálva meghosszabbítható. Az áruházakban, a csomagolóison, illetve a termék dokumentációjában egyértelműen jelezzve van, hogy az adott termék garanciája meghosszabbítható-e. A végfelhasználónak a vásárlás dátumától számított 30 napon belül regisztrálnia kell az újonnan vásárolt szerszámot. A végfelhasználó akkor regisztrálhat a kiterjesztett garanciára, ha az ország, ahol lakik, fel van sorolva az online regisztrációs úrlapon azon országok között, ahol választható ez az opció. Ezenkívül a végfelhasználónak bele kell egyeznie az online regisztrálás során szükséges adatok tárolásába, és el kell fogadnia a felhasználási feltételeket. A kiterjesztett garanciát a regisztráció beérkezésétől e-mailben küldött visszaigazolós és a vásárlás dátumát tartalmazó eredeti száma igazolja.
3. A garancia a termék vásárlásakor fennálló, a gyártás során keletkezett hibákra és anyaghibákra érvényes a garanciális időtartamon belül. A garancia csak a javításra/cserére korlátozódik, és nem terjed ki semmilyen egyéb kiterjesztésére, nem kizárólagosan ideértve a véletlen vagy szándékos rongálást. A garancia nem érvényes, ha a terméket nem megfelelően, a használati utasításban foglaltakkal ellentétesen, illetve nem megfelelően csatlakoztatva használták. A garancia nem vonatkozik:
  - a terméket a nem megfelelő karbantartás következtében ért károsodásra
  - megváltoztatott vagy átalakított termékre
  - olyan termékre, melyen az eredeti azonosítók (védjegy, sorozatszám) megromlottak, megváltoztattak vagy eltávolítottak
  - a használati utasítás be nem tartásából eredő kárra
  - CE jelöléssel nem rendelkező termékekre
  - olyan termékre, melyet nem képzett, illetve a Techtronic Industries által nem fejlogosított szerelő javított
  - nem megfelelő (áramerősség, feszültség, frekvenciájú) áramforrásra csatlakoztatott termékre
  - külső (vegyi, fizikai, ütés) hatásokból vagy idegen anyagokból eredő károkról
  - a cserélhető alkatrészek természetes kopására és elhasználódására
  - a szerszám helytelen használatára, túlterhelésére
  - nem jóváhagyott tartozékok és alkatrészek használatára
  - A szerszámmal adott vagy külön megvásárolt tartozékokra. Ilyenek például (de nem kizárólag) a csavarhúzófejek, fúrószárak, csiszolókorongok, csiszolópapír, kések, oldalirányú terelők.
  - A természetes kopásnak, elhasználódásnak kitett alkatrészek és kiegészítők, például (de nem kizárólag) szerviz- és karbantartókészletek, szénkéfek, csapágycsák, tokmány, SDS fúrószár csatlakozója, tápkábel, segédfogantyú, szállítótok, csiszolólap, porzsák, porlevelőt cső, ficalaték, ütőműves csavarbehajtó gép csapszege és rugója stb.
4. A terméket javításra el kell vinni egy meghatalmazott RYOBI szervizbe; ezeket az egyes országokhoz a következő listában találja. Egyes országokban a helyi RYOBI kereskedő vállalja a termék elszállítását a RYOBI szervizbe. A terméket veszélyes tartalom, például benzín nélkül csomagolva, a feladó címét feltüntetve, a hiba rövid leírásával együtt küldje el a RYOBI szervizbe.
5. A jelen garancia hatálya alatt végzett javítás, illetve csere ingyenes. Nem jelenti a garanciális időtartam újraindulását. A kicserélt alkatrészek és szerszámok a mi tulajdonunkba kerülnek. Egyes országokban a szállítás vagy postázás költségét a feladó viseli. A vevőnek a szerszám megvásárlásából adódó törvényes jogai nem változnak.
6. Ez a garancia az Európai Közösségben, Svájcban, Izlandon, Norvégiában, Liechtensteinben, Törökországban, Szlovákiában és az Egyesült Királyságban érvényes. E területen kívül kérdezze meg a RYOBI forgalmazót, hogy milyen garancia van érvényben.

### **HIVATALOS SZERVIZKÖZPONT**

Ha bármilyen kérés vagy problémája van a termékkel kapcsolatban, forduljon a helyi hivatalos szervizközponthoz (látogasson el a [www.ryobitools.eu](http://www.ryobitools.eu) oldalra), vagy közvetlenül ide: Techtronic Industries GmbH, Max Eyth Straße 10, 71364 Winnenden, Germany. Adja meg a címkére nyomtatott sorozatszámot és terméktípust.

## **RO** CONDIȚII DE APLICARE A GARANȚIEI PENTRU PRODUSELE RYOBI®

În plus față de condițiile statutare rezultate din achiziționarea acestui produs, acesta este acoperit de garanția stipulată mai jos.

1. Perioada de garanție este de 24 de luni pentru consumatori și începe de la data achiziționării produsului. Data de începere a garanției trebuie demonstrată cu o factură sau altă dovadă a cumpărării produsului. Produsul este destinat și conceput doar pentru utilizare în scopuri personale. Din acest motiv, nu se oferă garanție pentru utilizarea sa în scop profesional sau comercial.
2. Există posibilitatea de extindere a perioadei de garanție pentru gama de unelte electrice (de CA/CC) peste perioada stipulată mai sus prin înscrierea produsului pe [website-ul www.ryobitools.eu](http://website-ul.www.ryobitools.eu). Eligibilitatea pentru perioada de extindere a garanției este afișată în mod clar în magazinele de vânzare și/sau pe ambalaj sau este inclusă în documentația livrată împreună cu produsul. Utilizatorul final este obligat să-și înregistreze produsul online în termen de maxim 30 de zile de la achiziția acestuia. Utilizatorul final poate înregistra produsul pentru garanția extinsă oferită în țara sa de rezidență dacă aceasta este listată în formularul de înregistrare online și dacă această opțiune este validă. În plus, utilizatorii finali trebuie să-și dea acordul pentru stocarea datelor personale solicitate la înregistrarea online și trebuie să accepte termenii și condițiile. Mesajul de confirmare a înregistrării, trimis prin e-mail și factura originală cu data achiziției vor dovedi perioada de garanție extinsă.
3. Garanția acoperă toate defecțiunile produsului survenite în perioada de garanție datorate defectelor de execuție sau materialelor folosite, începând cu data achiziției acestuia. Garanția este limitată la reparare și/sau înlocuire și nu include alte obligații, inclusiv, dar fără a se limita la daune accidentale sau rezultate pe cale de consecință. Garanția își pierde valabilitatea dacă produsul este utilizat necorespunzător, utilizat neconform cu instrucțiunile de utilizare din manualul cu instrucțiuni sau conectat incorect. Garanția nu se aplică în cazul:
  - oricărei defecțiuni survenite în urma întreținerii necorespunzătoare a produsului
  - oricărui produs alterat sau modificat
  - oricărui produs la care înscrșiunile cu datele de identificare (marca comercială, numărul de serie) au fost șterse, modificate sau îndepărtate
  - oricărei defecțiuni datorate neconformării cu instrucțiunile din manualul de utilizare
  - oricărui produs necertificat CE
  - oricărui produs asupra căruia au fost efectuate tentative de reparare de către personal necalificat sau fără autorizație prealabilă din partea Techtronic Industries.
  - oricărui produs conectat la o sursă de alimentare necorespunzătoare (curent, tensiune, frecvență)
  - oricăror defecțiuni datorate unor influențe externe (chimice, fizice, șocuri) sau substanțe străine
  - uzurii și fisurării normale a pieselor de rezervă
  - utilizării neadecvate, suprasolicitării uneltei
  - utilizării de piese și accesorii neaprobate
  - accesoriilor pentru unelte furnizate odată cu aceasta sau achiziționate separat. Aceste excluderi se aplică, dar fără a se limita la următoarele: burghie, biji de șurubelniță, discuri abrazive, hârtie abrazivă și lame de tăiere, ghidaje laterale
  - Componentele (piese și accesorii) supuse uzurii normale, care includ, fără a se limita la, kituri de întreținere și service, perii de cărbune, nulmenți, mandrină, adaptor pentru burghie SDS, cordon de alimentare, mănere auxiliare, cutie de transport, placă pentru șlefuit, sac pentru praf, tub pentru evacuarea prafului, discuri de păsă, adaptoare și resorturi pentru cheile de strângere prin vibrare, etc.
4. Pentru efectuarea reparațiilor, produsul trebuie trimis sau adus la un centru de reparații autorizat RYOBI din lista următoare de centre de reparații prezentate pentru fiecare țară. În anumite țări, reprezentatul local RYOBI va trimite produsul spre reparare la sediul central de reparații RYOBI. Atunci când trimiteți produsul spre reparare la un centru de reparații RYOBI, acesta trebuie ambalat în siguranță, fără conținut periculos (cum ar fi benzină), marcat cu adresa expeditorului și însoțit de o scurtă descriere a defectului.
5. Repararea/inlocuirea în perioada de garanție este gratuită. Aceasta nu este însoțită de o prelungire sau o reînțiere a perioadei de garanție. Piese sau unelte schimbate devin proprietatea dvs. În anumite țări, taxele de expediție sau poștale vor fi suportate de expeditor. Drepturile dvs. statutare rezultate din achiziția produsului rămân neschimbate
6. Această garanție este valabilă în Comunitatea Europeană, Elveția, Islanda, Norvegia, Liechtenstein, Turcia, Rusia și Marea Britanie. În afara acestor zone, vă rugăm să contactați reprezentantul dvs. local RYOBI pentru a determina dacă se aplică alt tip de garanție.

### **CENTRU DE SERVICE AUTORIZAT**

Orice întrebare sau problemă în legătură cu produsul se poate adresa la centrele locale autorizate de service (vizitați [www.ryobitools.eu](http://www.ryobitools.eu) sau direct la: Techtronic Industries GmbH, Max Eyth Straße 10, 71364 Winnenden, Germany. Vă rugăm să specificați numărul de serie și tipul de produs tipărite pe etichetă.

## **LV** RYBOBI® GARANTIJAS PIEMĒROŠANAS NOSACĪJUMI

Papildināt bez kokijs īstātmuose numatyts perkant atīsrandančias teises, šiam įrenginiui taikoma toliau nurodyta garantija.

- Garantijas periods patērētājiem ir 24 mēneši, tā atskaitē tiek sākta no datuma, kurā veikta izstrādājuma iegāde. Šim datumam jābūt dokumentētam rēķinā vai citā pirkumu apliecināšā dokumentā. Izstrādājums ir radīts un paredzēts tikai patērētāja privātai lietošanai. Saistībā ar iepriekšminēto, garantija netiek nodrošināta profesionālās vai komerciālās lietošanas gadījumā.
- Pastāv iespēja pagarināt daļas no elektroninstrumentu klāsta (Mainstrāvas/akumulatoru) garantiju ilgāk par iepriekš minēto periodu, izmantojot registrāciju interneta vietnē [www.ryobitools.eu](http://www.ryobitools.eu). Instrumenti, kas pakļauti garantijas perioda pagarināšanai, tiek skaidri apzīmēti veikalos un/vai uz iepakojuma un izstrādājumu komplektējošajā dokumentācijā. Gala lietotājam nepieciešams registrēt tā iegādāto jauno instrumentu 30 dienu laikā no pirkuma datuma. Gala lietotājs var registrēties pagarinātājai garantijai savā mītnēs vaišit, ja tā minēta lietištaistes registrācijas veidlapā, kurā šī iespēja ir aktīva. Bez tam, gala lietotājam ir jānodēz pīekrišana lietištaistes ievadošanai nepieciešamo datu glabāšanai un jāpiekrīt noteikumiem un nosacījumiem. Registrācijas apstiprinājums, kas tiek nosūtīts, izmantojot e-pastu, un rēķina oriģināls, kurā norādīts iegādes datums, kalpo kā pagarinātās garantijas apstiprinājums.
- Garantija attiecas uz visiem izstrādājuma defektiem garantijas periodā, kas saistīti ar ražošanas vai materiālu defektiem no pirkuma datuma. Šī garantija tiek ierobežota ar remontu un/vai nomaiņu neietver jebkādas citas saistības, tajā skaitā, bet ne tikai, cēloniskārīgjos vai saistītos bojājumus. Garantija nav spēkā, ja izstrādājums ir nepareizi lietošs, izmantots pretī norādēm lietošanas rokasgrāmātā vai bīšjs nepareizi pieslēgšs. Šī garantija netiek attiecināta uz:
  - jebkādiem izstrādājuma bojājumiem, kas radušies nepareizas uzturēšanas rezultātā
  - jebkuru izstrādājumu, kas ticis pārveidots vai mainīts
  - jebkuru izstrādājumu, kura oriģinālās identifikācijas (preču zīme, sērijas numurs) marķējums ir ticis nodzēsts, mainīts vai noņemts
  - jebkādiem bojājumiem, kuri radušies neievērojot norādes lietošanas rokasgrāmātā
  - jebkādam izstrādājumam bez CE sertifikācijas
  - jebkaram izstrādājumam, kura remontu mēģināšjs veikš nekvalificēts personāls vai bez Technronic Industries iepriekšēšjas autorizācijas.
  - jebkaram izstrādājumam, kurš bīšjs pieslēgšs neatbilstošu parametru (strāvas, sprieguma, frekvences) sprieguma avotam
  - jebkuriem bojājumiem, kuri radušies ārēšjas iedarbības (ķīmiskas, fiziskas, triecieni) vai vielu ietekmē
  - detaļu normālā lietošanas nodiluma rezultātā
  - nepareizas lietošanas vai instrumentu pāršodzes rezultātā
  - neatpīrinātu detaļu vai aprīkojuma lietošanas rezultātā
  - elektroninstrumentu aksesuāriem, kas atrodas instrumenta komplektācijā vai ir iegādāti atsevišķi. Šīs izņēmums attiecināms uz, bet neaprobežojoties ar, skrūvgriežu uzgalēm, urbjēm, abrazīvajiem diskīem, smīlšpāpīru un asmeņiem, sānu vadotnēm
  - komponentiem (daļām) un aksesuāriem, kas pakļauti normālam nodilumam, ieskaitot, bet neaprobežojoties ar Servisa un apkopju komplekti, oglekļa kabes, gultiņi, patrona, SDS urbjū uztvērējiem vai uzliks, elektrības vads, papildus rokturis, transportēšanas un pārnēsāšanas kaste, silpmašīnas plāksne, puteklju maīss, puteklju zvadīšanas caurule, paplākšņi, triecienāšģuju tapas un atšperes, u.t.t.
- Servisa nodrošināšanai, izstrādājums ir jānodod pilnvarotā RYOBI servisa centrā, kas norādīts katrai valstij tālāk minētajā servisa centru adresē sarakstā. Dažās valstīs jūsu vietējais RYOBI izplatītāšjs uzņemšs izstrādājuma nosūtīšanu uz RYOBI servisa organizāciju. Nosūtīto izstrādājumu uz RYOBI priēziūros centru, izstrādājuma jābūt droši iepakotam, tas nedrīkst saturēt bīstamas vielas kā degvielu, sūtījumam jābūt marķētam ar sūtītāja adresi un īsu kļīmes aprakstu.
- Remonts/nomaiņa šīs garantijas ietvaros ir bezmaksas. Tas nerada garantijas perioda pagarināšanu vai jaunu garantiju. Nomaiņātās daļas vai instrumentu kļīst par mūsu īpašumu. Dažās valstīs piegādes vai pasta izmaksas bīš jāapmaksā sūtītājam. Jūsu likumiskāšs tiesības, kas nodibināšs, iegādājoties instrumentu, paliek nemainīgas
- Šī garantija ir spēkā Eiropas Kopienā, Šveīcē, Islandē, Norvēģijā, Līhtenšteinā, Turcijā, Krievijā un Apvienotajā Karalīstē. Ārpus šīs teritorijām, lūdzu, sazinīeties ar jūsu pilnvaroto RYOBI izplatītāju, lai noteiktu, vai ir piemērojama citā garantija.

## AUTORIZĒTS APKALPOŠANAS CENTRS

Ar jebkuru pīprasījumu vai problēmu, kas saistīta ar produktu, var vērsties Jūsu vietējā pilnvarotāšja servisa centrā (apmeklējiet [www.ryobitools.eu](http://www.ryobitools.eu)) vai tieši pie: Technronic Industries GmbH, Max Eyth Straše 10, 71364 Winnenden, Germany. Lūdzu, norādīet sērijas numuru un produkta tipu, kas norādīšts uz etiķetes.

## **LT** „RYOBI®“ GARANTIJOS TAIKYMOS SĄLYGOS

Papildināt bet kokias īstātmuose numatyts perkant atīsrandančias teises, šiam įrenginiui taikoma toliau nurodyta garantija.

- Vartotojams suteikiama 24 mėnesių trukmės garantija nuo įrenginio įsigijimo datos. Ši data turi būti nurodyta sąskaitoje faktūroje ar kitame pirkimą įrodančiame dokumente. Šis įrenginys skirtas tik vartotojų rinkai ir asmeniniam naudojimui. Todėl garantija netaikoma, jei įrenginys naudojamas profesionaliems ar komerciniems reikmėms.
- Įsigijus tam tikrus elektrinius įrenginius (AC/DC), suteikiama galimybė pratęsti garantiją, kad ji galiootų ilgiau, nei nurodyta pirmiau, naudojantis registracija interneto svetainėje [www.ryobitools.eu](http://www.ryobitools.eu). Ar galima pratęsti įrenginio garantiją laikotarpi, aiškiai nurodoma parduotuvėse ir (arba) ant įrenginio pakuoetės, ir (arba) įrenginio dokumentuose. Galutinis naudotojas turi užregistruoti savo naujai įsigytą įrenginį per 30 dienų nuo įsigijimo datos. Galutinis naudotojas gali registruotis išplėstinėje garantijoje savo gyvenamojoje šalyje, jei ji nurodyta internetinėje registracijos formoje, kurioje siūloma tokią galimybę. Be to, galutiniai naudotojai turi susitikti su duomenų, kuriuos reikia įvesti internetu, saugojimu ir svetainės naudojimo sąlygomis. Kaip išplėstinės garantijos įrodymas naudojamas registracijos patvirtinimo kvitas, atsiunčiamas el. paštu, ir originali sąskaita faktūra, kurioje nurodyta įsigijimo data.
- Ši garantija apima visus garantinio laikotarpio apliktus įrenginio trūkumus, atsiradusius dėl gamybos arba medžiaginių defektų nuo įsigijimo datos. Ši garantija ribojama remonto ir (arba) pakeitimu, jei neapima jokių kitų įsipareigojimų, įskaitant (bet tuo neapsiribojant) šalutinius arba antrinius nuostolius. Garantija anuliuojama, jei įrenginys buvo naudojamas netinkamai, naudojamas ne pagal naudojimo instrukciją arba netinkamai prijungtas. Ši garantija netaikoma:
  - jokiai įrenginiui padarytai žalai, kurią lėmė netinkama techninė priežiūra;
  - jokiai įrenginiui, kuris buvo keičiamas ar modifikuojamas;
  - jokiai įrenginiui, kurio originalūs identifikavimo ženklai (prekės ženklas, serijos numeris) buvo sugadinti, pakeisti arba pašalinti;
  - jokiai žalai, kurią lėmė naudojimo instrukcijos nesilaikymas;
  - jokiems CE ženklų nepažymėtiems įrenginiams;
  - jokiai įrenginiui, kurį bandė remontuoti nekvalifikuoti asmenys arba kuris buvo remontuojamas be „Technronic Industries“ leidimo;
  - jokiai įrenginiui, kuris buvo prijungtas prie netinkamo maitinimo tinklo (netinkamos srovės, įtampos, dažnio);
  - jokiai žalai, kurią lėmė išorinis poveikis (cheminis, fizinis, smūgio) arba pašalinės medžiagos;
  - dėvimosioms dalims;
  - netinkamam naudojimui, įrenginio perkrovai;
  - nepatvirtintų priedų arba dalių naudojimui;
  - su įrenginiu pateiktiems arba atskirai įsigytiems elektrinio įrenginio priedams. Šios išimty apima (tuo neapsiribojant) atsuktųjų antgalius, gražtų antgalius, šlifavimo diskus, švitrinį popierių ir geležtes, šonių kreiptuvą;
  - komponentams (dalis ir priedams), kurie natūraliai dėvišs, įskaitant (bet tuo neapsiribojant) įprastines ir technines prieziūros rinkinius, anglinius šepetelius, guolius, laikiklius, SDS gražtų antgalių priedą arba lizdą, maitinimo kabelį, pagalbīnė rankena, nešiojimo dėklā, šlifavimo diskā, maišelį dulķėms, dulķiū ištraukimo vamzdelį, fetro poveržiles, smūginio veržliarakiū kaiščiū ir spyruokles ir pan.
- Prieikus atlikti prieziūros darbus, įrenginį reikia siūsti arba atvežti RYOBI įgaliootajam prieziūros centrui, nurodytam kiekvienos šalies prieziūros centrų adresų sąrašē. Kai kuriose šalyse vietinis RYOBI atstovas siūncia įrenginį RYOBI prieziūros organizācijai. Siunčiant įrenginį prieziūros centrui, reikia saugiai jį supakuoti pašalinant visas pavojingas medžiagas, pvz., benzīnā, nurodyti ant pakuoetės siuntėjo adresā ir pridėti trumpā gedimo aprašymā.
- Pagal šiā garantiją remontas / keitimas atliekami nemokamai. Tokie veikšmai nelaikomi garantijos pratęsimu arba naujo garantinio laikotarpio pradžia. Dalys arba įrenginiai, kuriuos pakeitēme, tampa mūsų nuosavybe. Kai kuriose šalyse pristatymo ir pašto išlaidas turi padengti siuntėjas. Įstātmuose numatytos jūšs teisės, atīsrandančios perkant įrenginį, lieka nepakeistos
- Ši garantija galioja Europos Bendrijos šalyse, Šveicarijoje, Islandijoje, Norvegijoje, Līhtenšteinē, Turķijoje, Rusijoje ir Jungtinėje Karalystėje. Jei gyvenate ne šiose šalyse, kreipkitės į įgaliootą RYOBI atstovā ir sužinokite, ar jums taikoma kita garantija.

## ĮGALIOTAS TECHINIS PRIEZIŪROS CENTRAS

Jei turite kokių nors pagėdavimų ar problemų, susijusių su šiuo gaminiu, galite kreiptis į artimiausią įgaliootą technines prieziūros centrā apsilankydami [www.ryobitools.eu](http://www.ryobitools.eu) arba tiesiogiai: Technronic Industries GmbH, Max Eyth Straše 10, 71364 Winnenden, Germany. Nurodykite etiķetėje išspausdintā serijos numerį ir gaminio tipā.

## ET RYOBI® GARANTIIINGIMUSED

Lisaks toote ostust tulenevatele seadusjärgsetele õigustele, kehtib tootele ka alltoodud garantiiaga.

1. Tarbijatele on garantiiaeg 24 kuud ja algab sellel kuupäeval, mil toode osteti. Selle kuupäeva tähtsuseks on vaja arvet või mõnda teist tõendit ostu sooritamise kohta. Toode on mõeldud eratarbijatele ainult isiklikuks kasutamiseks. Seega ei kehti garantii ostu kasutamisel kutsetegevuses või kaubanduslikel eesmärkidel.
2. Teatud osade elektrilistele (vahelduvvoolu/alisvoolu) tööriistadele on võimalik pikendada eespool toodud garantiiaega, kasutades toote registreerimist veebilehel [www.ryobitools.eu](http://www.ryobitools.eu). Teave tööriista võimaliku pikendatud garantiiaja kohta on selgelt esile toodud poodides ja/või pakendil / ning see sisalub toote dokumentatsioonis. Lõpparbitja peab registreerima oma uued tööriistad interneti teel 30 päeva jooksul pärast ostupäeva. Lõppkasutaja võib registreerida pikendatud garantiiaja saamise oma elukohariigis, kui veebis olevas registreerimisvormis on see valik lubatud. Lisaks peavad kasutajad andma oma nõusoleku veebis nõutud sisestatavate andmete säilitamiseks ning nad peavad nõustuma tingimustega. E-posti teel saadetak registreerimise kinnitust ja arve originaal, kus on näha ostu sooritamise kuupäev, on pikendatud garantiiaja tähtsuseks.
3. Garantii katab kõik defektid toote garantiiaja jooksul, kui ostu kuupäeval ilmnevad talitus- või materjalivead. Garantii piirub toote remondi ja/või väljavahetamisega ning ei sisalda muud kohustust, muu hulgas ettenägematuid või kaudseid kahjusid. Garantii ei kehti, kui toode ei ole kasutatud sihtotstarbelselt või kooskõlas kasutusjuhendiga või see on valesti ühendatud. Garantii ei kehti järgmistel põhjustel:
  - toode on kahjustatud vale hoolduse tõttu
  - toode on muudetud
  - toote algupärased identifitseerimismärgised (kaubamärk, seerianumber) on rikutud, muudetud või eemaldatud
  - kahju on tekkinud kasutusjuhendi mittejärgimisest
  - tootel puudub CE-märkis
  - toodet on puudnud remondida vastavat kvalifikatsiooni mitte omav isik või ilma firma Technonic Industries eelneva loata.
  - toode on ühendatud valesse toiteallikasse (voolutugevus, pinge, sagedus)
  - välismõjude (keemilised, füüsikalised, elektroilöögid) või võrkehade tekitatud kahju
  - tavapärase kulumine ja katkised varuosad
  - ebaõige kasutamine, tööriista ülekoormamine
  - heakskiitmata tarvikute või osade kasutamine
  - koos tööriistaga saadud või eraldi ostetud elektriliste tööriistade tarvikud. Need erandid puudutavad muu hulgas kruvikeeraja otsakuid, puunterasid, lihvkettaid, lihvpaberit ja -taldu, külgiühikuid
  - Komponendid (osad ja tarvikud), mida iseloomustab kulumine ja vananemine, muu hulgas remondi- ja hoolduskomplektid, süsinikharijad, laagrid, padrunid, SDS-puuriterade tarvikud, toitejuhe, lisakäepide, transpordikott, lihvplaad, tolmuokt, tolmu väljalasketoru, vildist seibid, löökmutrivõtme võllid ja vedrud jne.
4. Hoolduseks peab toote saatma või viima RYOBI volitatud teenindusse, mille aadressi leiate järgnevast teeninduspunktid nimekirjast vastava riigi alt. Mõnedes riikides võtab kohalik RYOBI edasimüüja enda kanda kohustuse saata toode RYOBI teenindusorganisatsiooni. Toote saatmisel RYOBI teenindusse peab toode olema ohutult pakitud ja ei tohi sisaldada ohtlikke aineid (nt bensiini), kirjas peab olema saatja aadress ja lisatud vea lühikirjeldus.
5. Garantii alusel tehtavad remonditööd / asendamine on tasuta. See ei pikenda garantiit kehtivusaega ega tähistu uue garantiiaja algust. Väljavahetatud osad või tööriistad kuuluvad meile. Mõnedes riikides maksab kätetoimetamis- ja postikulud saatja. Teile jäävad kehtima tööriista ostust tulenevad seadusjärgsed õigused
6. See garantii kehtib Euroopa Liidus, Šveitsis, Islandil, Norras, Liechtensteinis, Türgis, Venemaal ja Ühendkuningriigis. Väljaspool neid piirkondi võtke ühendust volitatud RYOBI edasimüüjaga, et teha kindlaks kas kehtib mõni teine garantii.

## VOLITATUD HOOLDUSKESKUS

Tootega seotud päringute või probleemide korral pöörduge kohaliku volitatud hoolduskeskuse poole (vt [www.ryobitools.eu](http://www.ryobitools.eu)) või otse aadressile: Technonic Industries GmbH, Max Eyth Straße 10, 71364 Winnenden, Germany. Märkige ära sildil olev seerianumber ja toote tüüp.

## HR UVJETI PRIMJENE JAMSTVA TVRTKE RYOBI®

Osim svim zakonskim pravima koja proizlaze iz kupnje, ovaj je proizvod pokriven jamstvom kako je navedeno u nastavku.

1. Jamstveno razdoblje za potrošače traje 24 mjeseca i počinje s datumom na koji je proizvod kupljen. Taj datum mora se dokumentirati računom ili drugim dokazom o kupnji. Proizvod je konstruiran i namijenjen samo za privatnu upotrebu korisnika. Stoga se jamstvo ne daje u slučaju profesionalne ili komercijalne uporabe.
2. Postoji mogućnost da se za dio asortimana električnih alata pokretanih izmjeničnom strujom (AC/DC) proizvodi gore navedeno jamstveno razdoblje putem registriranja na mrežnom mjestu [www.ryobitools.eu](http://www.ryobitools.eu). Uvjeti koje je potrebno zadovoljiti kako bi se proizdilo jamstveno razdoblje jasno su istaknuti u prodavaonicama i / ili na pakiranju / i nalaze se unutar dokumentacije proizvoda. Krajnji korisnik mora registrirati svoje novo kupljene alate na mreži u roku od 30 dana od datuma kupnje. Krajnji korisnik može se registrirati za proizdenu jamstvo u svojoj zemlji boravišta ako se nalazi na popisu u mrežnom obrascu za registraciju gdje je ta opcija važeća. Nadalje, krajnji korisnici moraju dati svoj pristanak na pohranu podataka koji su potrebni za mrežni ulazak i moraju prihvatiti odredbe i uvjete. Potvrda o prijemu registracije, koja se šalje putem e-pošte, kao i originalni račun s vidljivim datumom kupnje poslužit će kao dokaz proizdženog jamstva.
3. Jamstvo pokriva sve nedostatke proizvoda tijekom jamstvenog razdoblja koji su nastali zbog neispravnosti prilikom izrade ili materijala s datumom kupnje. Jamstvo je ograničeno na popravak i / ili zamjenu i ne obuhvaća nikakve druge obveze, uključujući, ali ne ograničavajući se na slučajeve ili posljedice štete. Jamstvo ne vrijedi ako je proizvod bio zlorabljivan, korišten u suprotnosti s priručnikom s uputama ili ako je pogrešno spojen. Ovo jamstvo ne primjenjuje se na:
  - svaku štetu koja je na proizvodu nastala kao rezultat nepravilnog održavanja
  - svaki proizvod koji je promijenjen ili izmijenjen
  - svaki proizvod na kojem su izvorne identifikacijske oznake (žig, serijski broj) bile oštećene, izmijenjene ili uklonjene
  - svaku štetu prouzročenu nepridržavanjem priručnika s uputama
  - svaki proizvod koji nema oznaku CE
  - svaki proizvod koji je pokušao popraviti nekvalficirani profesionalac ili onaj koji je popravljan bez prethodnog odobrenja tvrtke Technonic Industries.
  - svaki proizvod koji je spojen na neprikladan izvor električnog napajanja (neodgovarajuća amperža, napon, frekvencija)
  - svaku štetu prouzročenu unutarnjim utjecajima (kemijskim, fizikalnim, udarima) ili stranim tvarima
  - normalno habanje i trošenje rezervnih dijelova
  - neodgovarajuću uporabu, preopterećenje alata
  - upotrebu neodobrenog pribora ili dijelova
  - dodatnu opremu električnog alata isporučenu s alatom ili kupljenu odvojeno. Takvi izuzetci uključuju ali nisu ograničeni na vrhove odvijača, svrdla bušilice, abrazivne diske, brusni papir i noževe, bočnu vodilicu
  - Komponente (dijelovi i pribor) podložne prirodnom trošenju i habanju, što uključuje, ali nije ograničeno na komplecte za servisiranje i održavanje, ugljične četkice, ležajeve, steznu glavu, nastavak ili priključak za svrdla za SDS bušilicu, priključni kabel, pomoćnu ručku, transportne torbe, brusnu ploču, vreću za prašinu, ispušni cijev za prašinu, podloške od filca, udarni ključ, zatici i opruge, itd.
4. Za potrebe servisiranja, proizvod se mora poslati ili odnijeti u ovlaštenu servisnu postaju tvrtke RYOBI navedenu na sljedećem popisu s adresama servisnih postaja u svakoj zemlji. U nekim zemljama, vaš lokalni RYOBI zastupnik obvezuje se da će poslati proizvod u servisnu organizaciju tvrtke RYOBI. Kada se proizvod šalje u neku servisnu postaju tvrtke RYOBI, proizvod se mora sigurno pakirati bez ijednog od opasnih sadržaja kao što je benzin, na njemu mora pisati adresa pošiljatelja i mora biti popraćen kratkim opisom kvara.
5. Popravak / zamjena pod ovim jamstvom su besplatni. Oni ne predstavljaju produženje ili novi početak jamstvenog razdoblja. Zamijenjeni dijelovi ili alati postaju naše vlasništvo. U nekim državama troškove isporuke ili poštarinu mora platiti pošiljatelj. Vaša zakonska prava koja proizlaze iz kupnje alata ostaju nepromijenjena
6. Ovo jamstvo je valjano u zemljama Europske zajednice, Švicarskoj, Islandu, Norveškoj, Lihtenštajnu, Turskoj, Rusiji i Ujedinjenoj Kraljevini. Izvan tih područja vas molimo da se obratite svojem ovlaštenom zastupniku tvrtke RYOBI kako biste utvrdili primjenjuje li se drugo jamstvo.

## OVLAŠTENI SERVISNI CENTAR

Za svaki zahtjev ili problem s proizvodom možete se obratiti vašim ovlaštenim servisnim centrima (posjetite adresu [www.ryobitools.eu](http://www.ryobitools.eu)) ili izravno na: Technonic Industries GmbH, Max Eyth Straße 10, 71364 Winnenden, Germany. Navedite serijski broj i vrstu proizvoda otišnutu na naljepnicu.

## SL POGOJI ZA VELJAVNOST GARANCIJE RYOBI®

Poleg morebitnih zakonsko določenih pravic, ki izvirajo iz nakupa, za ta izdelek velja spodaj navedena garancija.

1. Garancijsko obdobje je za potrošnike 24 mesecev in začne teči z dnem nakupa izdelka. Ta datum mora biti dokumentiran z računom ali drugim dokazilom o nakupu. Izdelek je zasnovan in namenjen izključno za potrošniško zasebno uporabo. V primeru strokovne oziroma komercialne uporabe izdelka garancija ne velja.
2. Obstaja možnost podaljšanja garancije na del naše ponudbe električnih orodij (AC/DC) prek obdobja garancije, opisanega zgoraj, s pomočjo registracije na spletnem mestu [www.ryobitools.eu](http://www.ryobitools.eu) website. Ustreznost orodij za podaljšanje garancijskega obdobja je jasno prikazana v trgovinah in/ali na embalaži oziroma je navedena v dokumentaciji izdelka. Končni uporabnik mora registrirati svoje novo orodje na spletu v 30 dneh po datumu nakupa. Končni uporabnik lahko registrira podaljšano garancijo v svoji državi bivanja, če je na obrazcu spletne registracije navedeno, da ta možnost velja za njegovo državo. Poleg tega morajo končni uporabniki podati svoje soglasje za shranjevanje podatkov, ki so potrebni za spletni dostop in morajo sprejeti pogoje in določila uporabe spletnega mesta. Potrtilo o registraciji, ki ga pošljemo prek e-pošte, in originalni račun, ki prikazuje datum nakupa, služita kot dokazilo o podaljšani garanciji.
3. Garancija krije vse okvare izdelka, do katerih pride v garancijskem obdobju zaradi napak v izdelavi ali materialu, ki so bile prisotne ob datumu nakupa. Garancija je omejena na popravilo in/ali zamenjavo in ne vključuje nobenih drugih obveznosti, med drugim vključno z naključno ali posledično škodo. Garancija ne velja, če je bil izdelek napačno uporabljen, uporabljen v nasprotju z navodili iz priložnika za uporabo ali če ni bil pravilno povezan. Ta garancija ne velja za:
  - škodo na izdelku, ki je posledica neustreznega vzdrževanja
  - spremenjen ali prilagojen izdelek
  - izdelek, katerega originalna identifikacijska oznaka (blagovna znamka, serijska številka) je bil poškodovan/a, spremenjena ali odstranjena
  - škodo, ki je posledica neupoštevanja navodil iz priložnika za uporabo
  - izdelek, ki nima oznake CE
  - izdelek, ki ga je poskušal popraviti nekvalificiran strokovnjak ali ki je bil popravljen brez predhodne odobritve s strani družbe Technonic Industries.
  - izdelek, ki je bil povezan na neustrezno napajanje (amperska moč, napetost, frekvenca)
  - škodo, ki jo povzročijo zunanji vplivi (kemični, fizični, mehanski) ali tuje snovi in rezervne dele, ki so podvrženi običajni uporabi
  - neprimerno uporabo, preobremenitev orodja
  - uporabo neodobrenih dodatkov ali delov
  - Dodatno električno orodje, priloženo orodju ali kupljeno ločeno. Take izjeme so med drugim nastavki za izvijanje, svedri, abrazivni diski, brusni papir in rezila, stranska vodila.
  - Komponente (sestavni in rezervni deli), ki so podvrženi običajni obrabi, med drugim vključno s kompleti za servisiranje in vzdrževanje, oglikovimi krtačkami, ležaji, vpenjalci, svedrni priključki SDS ali sprejemnimi odprtini zanje, napajalnimi kablji, pomožnimi ročaji, prenosnimi kovčki, brusnimi ploščami, vrečkami za prah, cevmi za izpuh prahu, tesnilni iz filca, iglami in vzmetni udarnega ključa itd.
4. Za servisiranje morate izdelek poslati ali prinesiti v pooblaščen servisni center družbe RYOBI, ki je naveden za vsako državo na naslednjem seznamu naslovov servisnih centrov. V nekaterih državah se vaš lokalni posrednik družbe RYOBI obveže, da bo poslal izdelek na servis družbe RYOBI. Ko pošiljate izdelek v servisni center družbe RYOBI, mora biti izdelek varno zapakiran in ne sme vsebovati nobenih nevarnih snovi, kot je npr. bencin, opremljen pa mora biti z naslovom pošiljatelja in vsebovati kratek opis napake.
5. Popravilo/zamenjava v skladu s to garancijo sta brezplačni storitvi. To pa ne predstavlja podaljšanja ali ponovnega začetka garancijskega obdobja. Zamenjani deli ali orodja postanejo naša last. V nekaterih državah stroške dostave ali poštnino plača pošiljatelj. Vaše zakonsko določene pravice, ki izvirajo iz nakupa orodja, ostajajo nespremenjene.
6. Ta garancija velja v Evropski skupnosti, Švici, na Islandiji, Norveškem, v Lichtenštajnu, Turčiji, Rusiji in Združenem kraljestvu. Izven teh območij se obrnite na svojega pooblaščenega posrednika izdelkov RYOBI, dealer ki vam bo povedal, ali velja kakšna druga garancija.

### POOBLAŠČEN SERVISNI CENTER

V primeru zahtev ali težav v zvezi z izdelkom se lahko obrnete na lokalne pooblaščenice servisne centre (obišcite [www.ryobitools.eu](http://www.ryobitools.eu)) ali neposredno na: Technonic Industries GmbH, Max Eyth Straße 10, 71364 Winnenden, Germany. Prosimo, da navedete serijsko številko in tip izdelka, ki sta natisnjena na oznaki.

## SK ZÁRUČNÉ PODMIENKY RYOBI®

Na tento výrobok sa okrem všetkých zákonných práv, vyplývajúcich z nákupu, vzťahuje záruka v nasledovnom znení.

1. Záručná doba pre spotrebiteľa je 24 mesiacov a začína plynúť odo dňa, kedy bol výrobok zakúpený. Tento dátum musí byť doložený faktúrou alebo iným dokladom o zakúpení. Výrobok je navrhnutý a určený pre spotrebiteľov a len na súkromné používanie. Preto sa záruka sa neposkytuje v prípade použitia na profesionálne a komerčné účely.
2. V prípade elektrického náradia (na striedavý/jednosmerný prúd AC/DC), existuje možnosť predĺženia záručnej doby oproti záručnej dobe, uvedenej vyššie, s využitím on-line registrácie na webovej stránke [www.ryobitools.eu](http://www.ryobitools.eu). Označenie na náradí o nároku na predĺženie záručnej doby je zreteľne uvedené v obchodoch a/alebo na obale a je uvedené v dokumentácii k výrobku. Koncový používateľ musí zaregistrovať svoje novozískané náradie on-line do 30 dní odo dňa nákupu. Koncový používateľ sa môže zaregistrovať na prediznenú záruku v krajine svojho bydliska, ak je v on-line registračnom formulári uvedená táto možnosť. Ďalej musia koncoví používatelia ešte dať svoj súhlas k uchovávaní údajov, ktoré je potrebné zadať on-line a musia súhlasiť s podmienkami. Potvrdenie o prijatí registrácie, ktorý je zaslané e-mailom a original faktúry, v ktorej je uvedený dátum nákupu, slúžia ako dôkaz o predĺžení záruke.
3. Záruka sa vzťahuje na všetky poruchy výroby v záručnej dobe, spôsobené chybami materiálu alebo spracovania k dátumu nákupu. Táto záruka je obmedzená na opravu a/alebo výmenu a nezahŕňa ďalšie povinnosti, vrátane okrem iných, náhodné alebo následné škody. Táto záruka je neplatná, ak bol výrobok nesprávne používaný, bol používaný v rozpore s návodom na použitie alebo bol nesprávne zapojený. Táto záruka sa nevzťahuje na:
  - akékoľvek poškodenie výrobku, ktoré bolo spôsobené nesprávnou obsluhou
  - akýkoľvek výrobok, ktorý bol zmenený alebo upravený
  - akýkoľvek výrobok, na ktorom bolo poškodené, upravené alebo odstránené identifikačné označenie (ochranná známka, výrobné číslo)
  - akékoľvek škody, spôsobené neododržaním návodu na obsluhu
  - akýkoľvek výrobok, ktorý neobsahuje označenie CE
  - akýkoľvek výrobok, ktorý sa pokúšal opraviť nekvalifikovaný odborník alebo bol opravený bez predchádzajúceho súhlasu zo strany spoločnosti Technonic Industries.
  - akýkoľvek výrobok, pripojený k nesprávnejmu napájaciemu zdroju (ampéry, napätie, frekvencia)
  - akékoľvek poškodenia, spôsobené vonkajšími vplyvmi (chemickými, fyzikálnymi, nárazmi) alebo cudzorodými látkami
  - bežné opotrebovanie náhradných dielov
  - nevhodné používanie, preťažovanie nástroja
  - používanie neschváleného príslušenstva a dielov
  - príslušenstvo k elektrickému náradíu, dodávané spolu s náradím alebo zakúpené oddelene. Takéto vylúčenia sa vzťahujú, okrem iného, na násady skrutkovačov, vrtáky, brusné kotúče, brusny papier a čepele, bočné vodiace lišty
  - Súčiastky (diely a príslušenstvo), ktoré podliehajú prirodzenému opotrebeniu, okrem iného súpravy na servis a údržbu, uhľiky, ložiská, skľučovadlá, SDS vrtáky a príslušenstvo, príloh alebo prijímanie, napájacie kábel, pomocná rukoväť, prepravná skriňa, brusná doska, prachové vrecko, výfuková trubica, plstené podložky, kolíky a pružiny na rázový utahovač atď.
4. Na opravu musí byť výrobok odoslaný alebo doručený do autorizovaného servisného strediska RYOBI, uvedeného pre každú krajinu v nasledovnom zozname adries servisných stredísk. V niektorých krajinách miestny zástupca RYOBI preberá na seba záväzok zaslať tovar do servisnej organizácie RYOBI. Pri odosielení výrobku do servisného strediska RYOBI je potrebné výrobok bezpečne zabaliť bez akéhokoľvek nebezpečného obsahu, ako je benzín, s vyznačením adresy odosielateľa, s krátkym popisom poruchy.
5. Oprava/výmena je vrámcí tejto záruky bezplatná. Nezmenené diely alebo nástroje sa stávajú našim vlastníctvom. V niektorých krajinách náklady na odoslanie alebo poštovné musí zaplatiť odosielateľ. Vaše zákonné práva, vyplývajúce z nákupu náradia, zostávajú nedotknuté.
6. Táto záruka je platná v Európskych spoločenstvách, Švajčiarsku, Islande, Nórsku, Lichtenštajnsku, Turecku, Rusku a Spojenom kráľovstve. Ak sa nachádzate mimo týchto oblastí, obráťte sa na autorizovaného predajcu RYOBI na určenie, či sa dá uplatniť iná záruka.

### AUTORIZOVANÉ SERVISNÉ CENTRUM

Všetky žiadosti alebo problémy s výrobkom možno adresovať miestnym autorizovaným servisným strediskám (navštívte [www.ryobitools.eu](http://www.ryobitools.eu)) alebo priamo na: Technonic Industries GmbH, Max Eyth Straße 10, 71364 Winnenden, Germany. Uvedte sériové číslo a typ výrobku uvedené na etikete.

## **BG** УСЛОВИЯ ЗА ВАЛИДНОСТ НА ГАРАНЦИЯТА НА RYOBI®

В допълнение към законоустановените права, проистигащи от покупката, този продукт е обхванат от гаранция, както е изложено по-долу.

1. Гаранционният срок е 24 месеца за клиенти и започва да тече от деня на закупуване на продукта. Тази дата трябва да се докаже с фактура или друго доказателство за покупка. Продуктът е изработен и предназначен само за потребителска и лична употреба. Следователно не се дава гаранция в случай на използване от професионалисти или с търговска цел.
2. Съществува възможност за удължаване на гаранционния срок за част от диапазона на гаранцията на електрически инструменти (AC/DC) след изчитане на описания тук чрез регистрация на уеб сайта [www.ryobitools.eu](http://www.ryobitools.eu). В магазините или на опаковката или вътре в документацията на продукта е показано ясно дали инструментът отговаря на условията за такова удължаване на гаранционния срок. Крайният потребител трябва да регистрира своите новопридобити инструменти онлайн в рамките на 30 дни от датата на покупка. Крайният потребител може да се регистрира за удължена гаранция в държавата си на пребиваване, ако е посочена във формуляра за онлайн регистрация като място, където тази опция е валидна. Освен това крайните потребители трябва да дадат съгласието си за съхранение на данните, които са задължителни за ползване онлайн, и трябва да приемат общите условия. Полученото потвърждение за регистрация, изпратено по електронна поща, и оригиналната фактура, показваща датата на покупка, ще служат като доказателство за удължената гаранция.
3. Гаранцията покрива всички дефекти на продукта по време на гаранционния срок, които се дължат на проблеми в изработката или материалите към момента на покупката. Гаранцията е ограничена до ремонт и/или замаяния и не включва други задължения, включително, но не само, случайни или косвени щети. Гаранцията е невалидна, ако продуктът е използван неправилно или в противоречие с ръководството с инструкции, както и ако е свързан неправилно. Тази гаранция не важи за:
  - щети по продукта в резултат на неправилна профилактика
  - продукти, които са били изменени или модифицирани
  - продукт, при който оригиналните маркировки за идентификация (търговска марка, сериен номер) са изтрили, променени или премахнати
  - повреда, причинена от неспазване на ръководството с инструкции
  - продукт без CE маркировка
  - продукт, за който е направен опит за ремонт от невалифициран специалист или без предварително разрешение от Techtronic Industries.
  - продукт, свързан към неподходящо електрозахранване (ампераж, волтаж, честота)
  - щети, причинени от външни влияния (химични, физични, удари) или чужди вещества
  - нормално износване на резервни части
  - неподходяща употреба, претоварване на инструмента
  - използване на неодобрени аксесоари или части

Аксесоариете за електрически инструмент са предоставени с инструмента или се купуват отделно. Тези изключения включват, но не само, найкрайния за отвертка, средела, абразивни дискове, шкурка и остриета, страничен водач

  - Компоненти (части и аксесоари), подложени на естествено износване, включително, но не само, комплекти за обслужване и поддръжка, карбонови четки, лагери, патронник, приставка със средло SDS или приемо устройство, захранващ кабел, спомогателна ръкохватка, кутия за транспортиране, шлифовъчна пластина, торба за прах, трябва за отвеждане на прах, филцови шабви, шифтове и пружини за винтоверти и др.
4. За обслужване продуктът трябва да се изпрати или занесе на оторизиран сервиз на RYOBI, посочен за всяка държава в следния списък с адреси на сервиси. В някои държави местният търговец на RYOBI поема отговорността да изпрати продукта до сервизен център на RYOBI. При изпращане на продукт до сервиз на RYOBI той трябва да е опакован безопасно без опасно съдържание, напр. бензин, да е маркиран с адреса на подателя и придружен от кратко описание на повредата.
5. Ремонтът/замаяната по силата на тази гаранция са безплатни. Те не водят до удължаване или подновяване на гаранционния срок. Сменените части или инструменти стават наша собственост. В някои държави таксите за доставка или изпращане трябва да се платят от подателя. Законоустановените ви права, проистигащи от закупуването на инструмента, остават незаесенати
6. Тази гаранция е валидна в Европейската общност, Швейцария, Исландия, Норвегия, Лихтенщайн, Турция и Обединеното кралство. Извън тези области се възможността с възмощената търговец на RYOBI, за да се установи дали е приложима друга гаранция.

### **УПЪЛНОМОЩЕН СЕРВИЗЕН ЦЕНТЪР**

Всички заявки или проблеми, свързани с продукта, могат да бъдат отправени към местните упълномощени сервизни центрове (посетете [www.ryobitools.eu](http://www.ryobitools.eu)) или директно до: Techtronic Industries GmbH, Max Eyth Straße 10, 71364 Winnenden, Germany. Посочете серийния номер и типа на продукта, отпечатаните върху етикета.

## **UK** ГАРАНТИЙНИ УМОВИ ДЛЯ RYOBI®

Окрім загально установлених законом прав, що стосуються покупки, цей пристрій покривається гарантією, що зазначено нижче.

1. Гарантійний період для споживачів складає 24 місяці і починається з моменту придбання цього пристрою. Ця дата повинна бути задокументована у гарантійному талоні або чеку. Цей пристрій був розроблений і призначений тільки для споживчого та приватного використання. У разі професійного або комерційного використання цього пристрою, він втрачає гарантію.
2. Існує можливість подовжити гарантійний період для частини лінійки електроінструментів (перемінного/постійного струму), понад період описаний вище за допомогою реєстрації на сайті [www.ryobitools.eu](http://www.ryobitools.eu). Пристрої, які мають право на подовження гарантійного періоду, мають чіткі позначки щодо цього в магазинах / або на упаковці / та документації до пристрою. Кінцевий користувач повинен зареєструвати його/її новопридбаний пристрій онлайн протягом 30 днів з дати покупки. Кінцевий користувач може зареєструватися для подовження гарантійного періоду в своїй країні постійного перебування, якщо вона є доступною у відповідній опції онлайн форми реєстрації. Крім того, кінцеві користувачі повинні дати свою згоду на зберігання даних, які необхідні для введення онлайн, а також вони повинні прийняти правила та умови. Отримання підтвердження реєстрації, яке відправляється на адресу електронної пошти, та оригінал гарантійного талона із зазначеною датою покупки буде слугувати доказом подовженої гарантії.
3. Гарантія поширюється на всі дефекти пристрою протягом гарантійного терміну щодо недотримання стандартів виробництва або матеріалів на дату придбання. Гарантія обмежується ремонтом та/або заміною, та не включає в себе будь-яких інших зобов'язань, в тому числі, але не обмежена у разі випадкових та подальших пошкоджень. Гарантія не діє, якщо пристрій використовувався неналежним чином, всупереч інструкції з експлуатації або був неправильно підключений до мережі. Дана гарантія не поширюється на:
  - пристрої, що були пошкоджені у результаті неправильного технічного обслуговування;
  - пристрої, що були відоминані або модифіковані;
  - пристрої, оригінальне ідентифікаційне (товарний знак, серійний номер) маркування яких було пошкоджене, змінене або видалено;
  - будь-які пошкодження, заподіяні недотриманням інструкції з експлуатації;
  - пристрої, що не мають маркування CE;
  - пристрої, що були відремонтовані невалідованим фахівцем або за відсутності попереднього дозволу від Techtronic Industries;
  - пристрої, підключені до невідповідного джерела живлення (сила току, напруження, частота);
  - будь-які пошкодження спричинені зовнішнім впливом (хімічним, фізичним, струмком напруги) або сторонніми речовинами;
  - нормальну амортизацію запасних частин;
  - невідповідне використання, перевантаження пристрою;
  - використання невідтверджених запасних частин або аксесуарів;
  - приладдя до електроінструменту, що постачається разом з пристроєм або купуються окремо. Такі винятки враховують але не є обмеженнями для наконечників викруток, свердел, абразивних дисків, наждачного паперу та лез, бичних напрямних
  - компоненти(частини та приладдя) з урахуванням нормального зношування, враховуючи, але без обмеження на комплекти профілактики та технічного обслуговування, вузькі щітки, підшипники, патрони, кріплення або прийом SDS свердел, кабелі живлення, додаткові рукоятки, чохла для транспортування, шліфувальні пластини, мішки для збору пилу, трубки вихлопу, фетрові кільця, штири і пружини гайковерту і т.д.
4. Для обслуговування, пристрій має бути відправлений або поданий до одного з авторизованих сервісних центрів RYOBI, які перелічені для кожної країни у наступному переліку адрес сервісних центрів. У деяких країнах місцевий дилер RYOBI зобов'язується відправити пристрій до сервісного центру RYOBI. При відправленні пристрою до сервісного центру RYOBI, пристрій має бути наданий упакований без будь-якого небезпечного вмісту, наприклад бензину, з позначеною адресою відправника та супроводжуватися коротким описом несправності.
5. Ремонт / заміна відповідно до цієї гарантії здійснюється безкоштовно. Це не є основою для подовження або початку нового гарантійного періоду. Замінені частини або приладдя переходять до власності компанії. У деяких країнах вартість доставки або поштові витрати повинні бути сплачені відправником. Загально встановлені права покупця на пристрій залишаються незмінними
6. Ця гарантія є дійсною у країнах, членах ЄС, Швейцарії, Ісландії, Норвегії, Лихтенштейні, Туреччині, Росії та Великій Британії. За межами цих зон, будь ласка, зверніться до офіційного дилера RYOBI, щоб визначити, чи застосовується інша гарантія.

### **АВТОРИЗОВАНІ СЕРВІСНІ ЦЕНТРИ**

З будь-яких питань або проблем, пов'язаних з пристроєм, ви можете звернутись до місцевих авторизованих сервісних центрів (відвідайте [www.ryobitools.eu](http://www.ryobitools.eu)) або напрямку до: Techtronic Industries GmbH, Max Eyth Straße 10, 71364 Winnenden, Germany. Будь ласка, вкажіть серійний номер та тип продукту, вказані на етикетці.

## TR RYOBI® GARANTİ UYGULAMA KOŞULLARI

Alımdan kaynaklanan yasal haklara ek olarak, ürün aşağıda belirtilen garanti kapsamındadır.

1. Tüketiciler için 24 ay olan garanti süresi, ürünün satın alındığı tarihte başlar. Bu tarihin bir fatura ya da alım kanıtıyla belgelenmesi gerekir. Ürün sadece tüketim ve özel kullanım için geliştirilmiş ve adanmıştır. Bu nedenle, profesyonel ya da ticari kullanımı halinde garanti kapsamı sağlanmaz.
2. Elektrikli el aletlerinin bir bölümü (AC/DC) için [www.ryobitools.eu](http://www.ryobitools.eu) sayfasındaki kayıt işlemi kullanılarak garantinin belirlenim süresini ötesine uzatma imkanı mevcuttur. Aletlerin garanti süresinin uzatılmasına uygun olup olmadığını mağazalarda ve / veya ambalajda açıkça belirtilmiş olup, ürün dokümantasyonunda gösterilir. Son kullanıcının yeni aldığı aletleri satın aldığı ülkede, bu seçeneğin geçerli olduğu çevrimiçi kayıt formunda belirtilmişse, uzatılmış garanti süresi için kayıt yapılabilir. Dahası, son kullanıcıların çevrimiçi giriş için gerekli verilerin kaydedilmesine izin vermek ve hüküm ve koşulları kabul etmelidir. E-posta ile gönderilen kayıt teyit makbuzu ve alım tarihini gösteren orijinal fatura uzatılmış garantinin kanıtı olarak değerlendirilir.
3. Garanti, ürünün alım tarihindeki ışçılık ve malzeme kusurları nedeniyle garanti süresi içinde oluşacak bütün arızaları kapsar. Bu garanti onarım ve değiştirilmeyle sınırlı olup, tesadüf ya da dolaylı hasarlar da dahil, ancak bunlarla kısıtlı olmayan başka hiçbir taahhüdü kapsamaz. Garanti, ürünün kötü, kullanıcı klavuzuna aykırı kullanımına ya da yanlış başlanması halinde geçerli değildir. Bu garanti aşağıdakileri kapsamaz:
  - üründe, yanlış bakımından kaynaklanan herhangi bir hasar
  - değiştirilmiş ya da modifiye edilmiş herhangi bir ürün
  - orijinal tanıtım işaretleri (ticari marka, seri numarası) silinmiş, değiştirilmiş ya da kaldırılmış herhangi bir ürün
  - kullanıma klavuzuna uymamaktan kaynaklanmış herhangi bir hasar
  - herhangi bir AT dışı ürün
  - kalifiye olmayan personel tarafından ya da önceden Techtronic Industries onayı alınmadan onarılmış herhangi bir ürün
  - uygunsuz güç kaynağına (amper, voltaj, frekans) bağlanmış herhangi bir ürün
  - harici etkenlerden (kimyasal, fiziksel, darbe) veya yabancı cisimlerden kaynaklanan her türlü hasar
  - normal aşınır ve yıpranır aksam
  - uygunsuz kullanım, aletin aşırı yüklenmesi
  - onaysız aksesuar veya parça kullanımı
4. Aletle birlikte sağlanmış ya da ayrıca alınmış elektrikli alet aksesuarları. Tornavida uçları, matkap uçları, aşındırıcı diskler, zımpara kağıdı ve bıçakları, yanal klavuz gibi aksamı içeren, ancak bunlarla sınırlı olmayan eklentiler
- Servis ve Bakım kitiyle, kömür fırçaları, yataklar, kovanlar, SDS matkap ucu bağlantısı ya da yuvaları, güç kablosu, yedek tutamak, nakliye ve taşıma kutusu, kumlama plakası, toz torbası, toz egzoz borusu, keçe rondelalar, Darbeli Tornavida Pim ve yayları vb. gibi parçaları kapsayan, ancak bunlarla sınırlı olmayan, aşınma ve yıpranmaya tabi bileşenler (aksam ve aksesuarlar).
4. Ürünün servis için her ülkede aşağıdaki servis istasyonları adres listesinde yer alan yetkili bir RYOBI servis istasyonuna gönderilmesi ya götürülmesi gereklidir. Bazı ülkelerde, yerel RYOBI distribütörünüz ürünü RYOBI servis teşkilatına göndermeyi üstlenir. Bir ürün bir RYOBI servis istasyonuna gönderilirken, ürünün güvenli bir biçimde ambalajlanması, benzin gibi tehlikeli maddeler içermemesi, gönderinin adresini taşınması ve arızanın kısa bir açıklamasını içermesi gerekir.
5. Bu garanti kapsamında yapılacak onarım / değişiklik ücretsizdir. Garanti süresinin uzatılması ya da yeniden başlatılması anlamına gelmez. Değiştirilmiş parçalar veya aletler bize ait olur. Bazı ülkelerde teslimat ücretleri veya posta giderlerinin gönderici tarafından ödenmesi gerekir. Alımdan kaynaklanan yasal haklarınız etkilenmez
6. Bu garanti Avrupa Birliği'nde, İsviçre, İzlanda, Norveç, Lihtenştayn, Türkiye, Rusya ve Birleşik Krallık'ta geçerlidir. Bu alanların dışında, başka bir garantinin geçerli olup olmadığını belirlemek için lütfen yetkili RYOBI distribütörünüzle iletişime geçin.

### YETKİLİ SERVİS MERKEZİ

Ürüne ilgili her türlü talep ve sorunu yerel yetkili servis merkezlerine ([www.ryobitools.eu](http://www.ryobitools.eu) adresini ziyaret edin) veya doğrudan aşağıdaki şekilde iletişime geçebilirsiniz: Techtronic Industries GmbH, Max Eyth Straße 10, 71364 Winnenden, Germany. Lütfen etikette yer alan seri numarasını ve ürünü tipini belirtin.

## EL OROPI ΕΦΑΡΜΟΓΗΣ ΤΩΝ ΠΡΟΫΠΟΘΕΣΕΩΝ ΕΓΓΥΗΣΗΣ ΤΗΣ RYOBI®

Εκτός από τα νόμιμα δικαιώματα, τα οποία προκύπτουν από την αγορά, το προϊόν καλύπτεται από εγγύηση, λεπτομέρειες της οποίας ακολουθούν στη συνέχεια.

1. Η διάρκεια της εγγύησης για τους καταναλωτές είναι 24 μήνες και αρχίζει από την ημερομηνία αγοράς. Η ημερομηνία θα πρέπει να αναγράφεται στην απόδειξη ή σε άλλο αποδεικτικό αγοράς. Το προϊόν έχει σχεδιαστεί και προορίζεται αποκλειστικά για οικιακή χρήση από καταναλωτές. Συνεπώς, δεν παρέχεται εγγύηση σε περίπτωση επαγγελματικής ή εμπορικής χρήσης.
2. Υπάρχει η δυνατότητα επέκτασης της εγγύησης για ορισμένα ηλεκτρικά εργαλεία (AC/DC), πέραν του παραπάνω αναφερόμενου χρονικού διαστήματος, μέσω εγγραφής στο δικτυακό τόπο [www.ryobitools.eu](http://www.ryobitools.eu). Η επλεξιμότητα των εργαλείων με δυνατότητα επέκτασης της περιόδου εγγύησης αναγράφεται ρητά στα καταστήματα και/ή επάνω στη συσκευασία, ενώ περιέχεται στην τεκμηρίωση του προϊόντος. Το τελικό χρήστη θα πρέπει να καταχωρίσει τα προσφάτως αποκτηθέντα εργαλεία online, εντός 30 ημερών από την ημερομηνία αγοράς. Ο τελικός χρήστης μπορεί να εγγραφεί για την επέκταση εγγύησης στη χώρα κατοικίας, εφόσον αυτή περιλαμβάνεται στο online έντυπο εγγραφής, εάν υπάρχει η δυνατότητα επέκτασης. Επιπλέον, οι τελικοί χρήστες θα πρέπει να παρέχουν τη συγκεκριμένη τους για την αποθήκευση των στοιχείων τους, τα οποία σφραγίζονται να καταχωριστούν online, όπως και να αποθηκευθούν του όρους και τις προϋποθέσεις. Η απόδειξη επιβεβαίωσης της εγγραφής, η οποία αποστέλλεται μέσω email, και η πρωτότυπη απόδειξη αγοράς, η οποία αναγράφει την ημερομηνία αγοράς, αποτελούν αποδεικτικά της παρατεταμένης εγγύησης.
3. Η εγγύηση καλύπτει όλα τα ελαττώματα του προϊόντος, κατά τη διάρκεια της περιόδου εγγύησης, λόγω κατασκευαστικών ελαττωμάτων ή αστοχίας υλικού κατά την ημερομηνία αγοράς. Η εγγύηση περιορίζεται στην επισκευή και/ή την αντικατάσταση και δεν περιλαμβάνει καμία άλλη υποχρέωση, συμπεριλαμβανομένων, ενδεικτικά, συμπτωματικών ή παρεπόμενων ζημιών. Η εγγύηση δεν ισχύει εφόσον, έχει σημειωθεί κακομεταχείριση του προϊόντος, δεν έχουν τηρηθεί οι οδηγίες του εγχειριδίου οδηγιών ή το προϊόν έχει συνδεθεί λανθασμένα. Η εγγύηση δεν ισχύει για:
  - οποιοδήποτε ζημία στο προϊόν, η οποία είναι αποτέλεσμα κακής συντήρησης
  - οποιοδήποτε προϊόν, το οποίο έχει αλλοιωθεί ή τροποποιηθεί
  - οποιοδήποτε προϊόν, στο οποίο έχει αλλοιωθεί, τροποποιηθεί ή αφαιρεθεί το γνήσιο αναγνωριστικό (σήμα κατατέθεινο, σειριακός αριθμός)
  - οποιοδήποτε ζημία προκλήσει λόγω μη τήρησης του εγχειριδίου οδηγιών
  - οποιοδήποτε προϊόν χωρίς σήμανση CE
  - οποιοδήποτε προϊόν, στο οποίο έχει γίνει προσπάθεια επισκευής από μη καταρτισμένο επαγγελματία ή χωρίς την προηγούμενη έγκριση της Techtronic Industries.
  - οποιοδήποτε προϊόν, το οποίο έχει συνδεθεί σε ακατάλληλη παροχή ρεύματος (αμπερ, ισχύ, συχνότητα)
  - οποιαδήποτε ζημία έχει προκληθεί από εξωτερικές επιδράσεις (χημικές, φυσικές, κλιματισμούς) ή ξένες ασπίες
  - φυσιολογική φθορά και ρίξη ανταλλακτικών
  - ακατάλληλη χρήση, υπερφόρτωση του εργαλείου
  - χρήση μη ενδεδειγμένων εξαρτημάτων ή ανταλλακτικών
  - Εξαρτήματα ηλεκτρικών εργαλείων που παρασχεθήκαν με το εργαλείο ή αγοράστηκαν ξεχωριστά. Τέτοιες εξαρτήματα περιλαμβάνουν, ενδεικτικά, μύτες καταβίδου, τρυπάνια, δίσκους λείανσης, γυαλόχαρτο και λιπίδες, πλεονεκτικό οδηγό
  - Εξαρτήματα (ανταλλακτικά και αξεσουάρ) που υπόκεινται σε φυσική φθορά και θραύση, συμπεριλαμβανομένων, ενδεικτικά, σε επισκευές & συντήρησης, μηχανών άνθρακα, ερεθισμένων, τσοκ, εξαρτημάτων ή υποδοχών τρυπανιών SDS, καλωδίων ισχύος, βοηθητικής λαβής, βαλβίδας μεταφοράς, βάσης τριβείου, σακούλας συλλογής σκόνης, σωλήνα εξαγωγής σκόνης, ροδελών τσόχας, μυτών και ελατηρίων κροστικού κλειδιού κοχλίων, κλπ.
4. Το προϊόν θα πρέπει να αποσταλεί ή να παραδοθεί για επισκευή ή συντήρηση σε εξουσιοδοτημένο σημείο σέρβις της RYOBI που περιλαμβάνεται στον ακόλουθο κατάλογο διευθύνσεων για κάθε χώρα. Σε ορισμένες χώρες, το τοπικό σημείο πώλησης της RYOBI αναλαμβάνει την αποστολή του προϊόντος στο κεντρικό σέρβις της RYOBI. Κατά την αποστολή ενός προϊόντος σε σημείο σέρβις της RYOBI, αυτό θα πρέπει να είναι ασφαλώς συσκευασμένο, χωρίς επικίνδυνο περιεχόμενο, όπως, πετρέλαιο, να φέρει τη διεύθυνση του αποστολέα και να συνοδεύεται από σύντομη περιγραφή της βλάβης.
5. Η επιδιόρθωση / αντικατάσταση υπό την παρούσα εγγύηση παρέχεται δωρεάν. Δε συνιστά παράταση της περιόδου εγγύησης ή εκκίνηση νέας περιόδου εγγύησης. Τα μέρη που αντικαθίστανται περιλαμβάνονται στην κυριότητα μας. Σε ορισμένες χώρες, τα ενδεχόμενα έξοδα παράδοσης ή μεταφοράς βαρύνουν τον αποστολέα. Τα νόμιμα δικαιώματά σας, τα οποία απορρέουν από την αγορά του εργαλείου, δεν θινονται.
6. Η εγγύηση αυτή ισχύει στην Ευρωπαϊκή Ένωση, την Ελβετία, την Ισλανδία, τη Νορβηγία, το Λιχτενστάιν, την Τουρκία, τη Ρωσία και το Ηνωμένο Βασίλειο. Εκτός των παραπάνω περιοχών, οσες παρακαλούμε να επικοινωνήσετε με εξουσιοδοτημένο κατάστημα πώλησης της RYOBI, προκειμένου να διαπιστωθεί ένα ισχύει κάποια άλλη εγγύηση.

### ΕΞΟΥΣΙΟΔΟΤΗΜΕΝΟ ΚΕΝΤΡΟ ΣΕΡΒΙΣ

Για οποιοδήποτε σήματα ή πρόβλημα με το προϊόν μπορείτε να απευθυνθείτε στα τοπικά εξουσιοδοτημένα κέντρα σέρβις (επισκεφθείτε τη διεύθυνση [www.ryobitools.eu](http://www.ryobitools.eu)) ή απευθείας στη διεύθυνση: Techtronic Industries GmbH, Max Eyth Straße 10, 71364 Winnenden, Germany. Αναφέρετε τον σειριακό αριθμό και τον τύπο προϊόντος που αναγράφονται στην επέκτα.

## EN EC DECLARATION OF CONFORMITY

### Angle Grinder

Brand: RYOBI | Model number<sup>1</sup> | Serial number range<sup>2</sup>

We declare as the manufacturer under our sole responsibility that the product mentioned below fulfills all the relevant provisions of the following European Directives, European Regulations and harmonised standards<sup>3</sup>

Authorised to compile the technical file:<sup>4</sup>

## FR DÉCLARATION CE DE CONFORMITÉ

### Meuleuse d'angle

Marque: RYOBI | Numéro de modèle<sup>1</sup> | Étendue des numéros de série<sup>2</sup>

Nous déclarons, en qualité de fabricant, sous notre entière responsabilité, que le produit mentionné ci-dessous remplit toutes les dispositions pertinentes des directives et réglementations européennes suivantes, ainsi que des normes harmonisées<sup>3</sup>

Autorisé à rédiger le dossier technique:<sup>4</sup>

## DE EG-KONFORMITÄTSEKHLÄRUNG

### Winkelschleifer

Marke: RYOBI | Modellnummer<sup>1</sup> | Seriennummernbereich<sup>2</sup>

Wir als Hersteller erklären in alleiniger Verantwortung, dass das nachstehend erwähnte Produkt allen einschlägigen Bestimmungen der folgenden EU-Richtlinien, EU-Vorschriften und harmonisierten Normen entspricht<sup>3</sup>

Autorisiert die technische Datei zu erstellen:<sup>4</sup>

## ES DECLARACIÓN CwE DE CONFORMIDAD

### Rebarbadora

Marca: RYOBI | Número de modelo<sup>1</sup> | Intervalo del número de serie<sup>2</sup>

Como fabricante, declaramos, bajo nuestra exclusiva responsabilidad, que el producto mencionado a continuación cumple con todas las disposiciones relevantes de las siguientes directivas, normas armonizadas y reglamentos europeos<sup>3</sup>

Autorizado para elaborar la ficha técnica:<sup>4</sup>

## IT DICHIARAZIONE CE DI CONFORMITÀ

### Smerigliatrice angolare

Marca: RYOBI | Numero modello<sup>1</sup> | Gamma numero seriale<sup>2</sup>

In qualità di produttori, dichiariamo, sotto la nostra esclusiva responsabilità, che il prodotto descritto di seguito ottempera a tutte le pertinenti disposizioni delle seguenti direttive europee, normative europee e dei seguenti standard armonizzati<sup>3</sup>

Autorizzato per compilare il file tecnico:<sup>4</sup>

## NL EG-VERKLARING VAN OVEREENSTEMMING

### Haakse slijpmachine

Merk: RYOBI | Modelnummer<sup>1</sup> | Seriennummerbereik<sup>2</sup>

Wij verklaren naar onze eigen verantwoordelijkheid als fabrikant, dat het hieronder genoemde product voldoet aan alle relevante bepalingen van de volgende Europese richtlijnen, Europese verordeningen en geharmoniseerde normen<sup>3</sup>

Afgevaardigde voor het samenstellen van de technische fiche:<sup>4</sup>

## PT DECLARAÇÃO CE DE CONFORMIDADE

### Afiadora angular

Marca: RYOBI | Número do modelo<sup>1</sup> | Intervalo do número de série<sup>2</sup>

Declaramos na qualidade de fabricante e sob nossa exclusiva responsabilidade que o produto mencionado abaixo cumpre todas as disposições aplicáveis das seguintes diretivas, regulamentos e normas harmonizadas da União Europeia<sup>3</sup>

Autorizado para compilar o ficheiro técnico:<sup>4</sup>

## DA EF-OVERENSSTEMMELSEERKLÆRING

### Vinkelsliber

Brand: RYOBI | Modelnummer<sup>1</sup> | Seriennummerområde<sup>2</sup>

Vi erklærer som fremstillere under eget ansvar, at produktet nævnt nedenfor opfylder alle de relevante forskrifter i de følgende europæiske direktiver, europæiske forordninger og harmoniserede standarder<sup>3</sup>

Bemyndiget til at udarbejde det tekniske kartotek:<sup>4</sup>

## SV EG-FÖRSÄKRAN ÖVERENSSTÄMMELSE

### Vinkelslip

Märke: RYOBI | Modellnummer<sup>1</sup> | Seriennummerintervall<sup>2</sup>

Vi som tillverkare förklarar under eget ansvar att den produkt som nämns nedan uppfyller alla relevanta föreskrifter i följande europeiska direktiv, europeiska förordningar och harmoniserade standarder<sup>3</sup>

Godkänd att sammanställa den tekniska filen:<sup>4</sup>

## FI EY-VAATIMUSTENMUKAISUUSVAKUUTUS

### Kulmahiomakone

Tuotemerkki: RYOBI | Mallinnumero<sup>1</sup> | Sarjanumeroalue<sup>2</sup>

Valmistajana vakuutamme alla mainitun tuotteen täyttävän seuraavien eurooppalaisten direktiivien, asetusten ja yhdenmukaistettujen standardien kaikki asiaankuuluvat vaatimukset<sup>3</sup>

Valtuutettu kokoamaan tekninen tiedosto:<sup>4</sup>

## NO CE-SAMSVARERKLÆRING

### Vinkelsliper

Merk: RYOBI | Modellnummer<sup>1</sup> | Seriennummerserie<sup>2</sup>

Vi erklærer, som produsent, på eget ansvar at produktet beskrevet nedenfor oppfyller alle de relevante bestemmelserne i de europeiske direktiver, europeiske forskrifter og harmoniserte standarder<sup>3</sup>

Autorisert til å sette sammen den tekniske filen:<sup>4</sup>

## RU ДЕКЛАРАЦИЯ О СООТВЕТСТВИИ СТАНДАРТАМ ЕС

### Угловая шлифовальная машина

Марка: RYOBI | Номер модели<sup>1</sup> | Диапазон заводских номеров<sup>2</sup>

Со всей ответственностью как производитель заявляем, что нижеупомянутое изделие отвечает всем соответствующим положениям следующих европейских директив, европейских регламентов, а также гармонизированных стандартов<sup>3</sup>

Лицо, ответственное за подготовку технической документации:<sup>4</sup>

## PL DEKLARACJA ZGODNOŚCI WE

### Szlifierka kątowna

Marka: RYOBI | Numer modelu<sup>1</sup> | Zakres numerów seryjnych<sup>2</sup>

Jako producent oświadczamy na własną odpowiedzialność, że produkt opisany w sekcji „Specyfikacja” spełnia wszystkie istotne postanowienia wymienionych poniżej dyrektyw UE, przepisów europejskich oraz norm zharmonizowanych<sup>3</sup>

Osoba upoważniona do sporządzenia dokumentu technicznego:<sup>4</sup>

## CS ES PROHLÁŠENÍ O SHODĚ

### Ruční rozbrušovačka

Značka: RYOBI | Číslo modelu<sup>1</sup> | Rozsah sériových čísel<sup>2</sup>

Jako výrobce prohlašujeme výhradně na vlastní odpovědnost, že níže uvedený výrobek splňuje všechna příslušná ustanovení evropských směrnic, evropských nařízení a harmonizovaných norem<sup>3</sup>

Pověření ke kompilaci technického souboru:<sup>4</sup>

## HU EK-MEGFELELŐSÉGI NYILATKOZATA

### Sarokcsiszoló

Márka: RYOBI | Típuszám<sup>1</sup> | Sorozatszám tartomány<sup>2</sup>

Gyártóként kizárólagos felelősségünk tudatában nyilatkozunk, hogy az alább említett termék megfelel a következő európai irányelvek, szabványozások és harmonizált szabványok vonatkozó rendelkezéseinek<sup>3</sup>

A műszaki dokumentáció összeállítására felhatalmazott:<sup>4</sup>

## RO DECLARAȚIE DE CONFORMITATE CE

### Polizor unghiular

Marcă: RYOBI | Număr serie<sup>1</sup> | Gamă număr serie<sup>2</sup>

În calitate de producător, declarăm pe proprie responsabilitate că produsul menționat mai jos îndeplinește toate prevederile relevante ale directivei Uniunii Europene, ale Regulamentelor UE și standardele armonizate<sup>3</sup>

Autorizat să completeze fișa tehnică:<sup>4</sup>

## LV EK ATBILSTĪBAS DEKLARĀCIJA

### Leņķa slīpmašīna

Zīmols: RYOBI | Modeļa numurs<sup>1</sup> | Sērijas numura intervāls<sup>2</sup>

Ar pilnu atbildību mēs kā ražotājs deklarējam, ka tālāk norādītais produkts izpilda visas atbilstošās norādīto Eiropas direktīvu, Eiropas regulu un harmonizēto standartu prasības<sup>3</sup>

Pilnvarots sastādīt tehnisko failu:<sup>4</sup>

## LT EB ATITIKTIKIS DEKLARACIJA

### Kampinis šlifuoškis

Prekės ženklas: RYOBI | Modelio numeris<sup>1</sup> | Serijinio numerio diapazonas<sup>2</sup>

Mes, gamintojai, atsakingai pareiškiame, kad toliau minimas gaminytis atitinka nurodytus Europos direktyvas, Europos reglamentas ir darniusius standartus<sup>3</sup>

Igaliotas sudaryti techninį failą:<sup>4</sup>

## ET EÜ VASTAVUSDEKLARATSIOON

### Ketasliõukur

Mark: RYOBI | Mudeli number<sup>1</sup> | Seerianumbri vahemik<sup>2</sup>

Kinnitame tootjana ainuiskuliselt, et allpool nimetatud toode vastab järgmistele Euroopa direktiivide, Euroopa määruste ja ühtlustatud standardite kõigile asjaomastele sätetele<sup>3</sup>

Tehnilise faili koostamiseks volitatud isik:<sup>4</sup>



## HR IZJAVA O SUKLADNOSTI

### Kutna brusilica

Marka: RYOBI | Broj modela<sup>1</sup> | Raspon serijskog broja<sup>2</sup>  
Kao proizvođač, pod punom odgovornošću izjavljujemo da proizvod naveden u nastavku zadovoljava sve relevantne odredbe sljedećih europskih direktiva, europskih uredbi i usklađenih normi<sup>3</sup>  
Ovlašten da sastavi tehničku datoteku.<sup>4</sup>

## SL ES-IZJAVA O SKLADNOSTI

### Kotni brusilnik

Znamka: RYOBI | Številka modela<sup>1</sup> | Razpon serijskih števil<sup>2</sup>  
Kot proizvajalec pod izključno lastno odgovornostjo izjavljamo, da spodaj navedeni izdelek izpolnjuje vse ustrezne predpise naslednjih evropskih direktiv, evropskih uredb in harmoniziranih standardov<sup>3</sup>  
Pooblaščen oseba za sestavo tehnične dokumentacije.<sup>4</sup>

## SK ES VYHLÁSENIE O ZHODE

### Uhlová rozbrusovačka

Značka: RYOBI | Číslo modelu<sup>1</sup> | Rozsah sériových čísel<sup>2</sup>  
Ako výrobca na vlastnú zodpovednosť vyhlasujeme, že dolu uvedený výrobok vyhovuje príslušným ustanoveniam nasledujúcich európskych smerníc, európskych nariadení a harmonizovaných noriem<sup>3</sup>  
Oprávnená osoba na zostavenie technického súboru.<sup>4</sup>

## BG CE - ДЕКЛАРАЦИЯ ЗА СЪОТВЕТСТВИЕ

### Ъглошлийф

Марка: RYOBI | Номер на модела<sup>1</sup> | Обхват на серийни номера<sup>2</sup>  
Като производител декларираме на своя лична отговорност, че продуктът, посочен по-долу, отговаря на всички съответни разпоредби на директивите и регламентите на Европейския съюз и хармонизираните стандарти по-долу<sup>3</sup>  
Упълномощено лице за съставяне на техническия файл.<sup>4</sup>

## UK СЕРТИФІКАТ ВІДПОВІДНОСТІ ВИМОГАМ ЄС

### Куттова шліфувальна машина

Марка: RYOBI | Номер моделі<sup>1</sup> | Діапазон серійного номеру<sup>2</sup>  
Як виробник ми відповідально заявляємо, що описаний нижче пристрій відповідає всім чинним положенням директив ЄС, Європейських норм та гармонізованих стандартів<sup>3</sup>  
Дозвіл на складання технічного файла.<sup>4</sup>

## TR CE UYGUNLUK BEYANI

### Açılı taşlama makinesi

Marka: RYOBI | Model numarası<sup>1</sup> | Seri numarası aralığı<sup>2</sup>  
Üretici olarak tüm sorumluluğu bize ait olmak üzere, aşağıda belirtilen ürünün aşağıdaki Avrupa Direktifleri, Avrupa Mevzuatı ve uyumlaştırılmış standartların ilgili hükümlerini yerine getirdiğini beyan ederiz<sup>3</sup>  
Teknik dosya hazırlamaya yetkilidir.<sup>4</sup>

## EL ΔΗΛΩΣΗ ΣΥΜΜΟΡΦΩΣΗΣ ΕΚ

### Γωνιακός τροχός

Μάρκα: RYOBI | Αριθμός μοντέλου<sup>1</sup> | Εύρος σειριακών αριθμών<sup>2</sup>  
Δηλώνουμε, με αποκλειστικά δική μας ευθύνη, ότι το παρακάτω αναφερόμενο προϊόν πληρεί όλες τις σχετικές διατάξεις των ακόλουθων Ευρωπαϊκών Οδηγιών, Ευρωπαϊκών Κανονισμών και εναρμονισμένων προτύπων<sup>3</sup>  
Εξουσιοδοτημένο άτομο για σύνταξη τεχνικού αρχείου.<sup>4</sup>

<sup>1</sup> RAG18X

<sup>2</sup> 47554201000001 - 47554201999999

<sup>3</sup> 2006/42/EC, 2014/30/EU, 2011/65/EU,  
EN 55014-1:2017+A11:2020, EN 55014-2:2015, EN 60745-1:2009+A11:2010,  
EN 60745-2-3:2011+A2:2013+A11:2014+A12:2014+A13:2015,  
EN IEC 63000:2018

Todd Chipner  
Vice President, Quality - Ryobi Asia  
Winnenden, Mar. 5, 2021

<sup>4</sup> Alexander Krug, Managing Director  
Techtronic Industries GmbH  
Max-Eyth-Straße 10, 71364 Winnenden, Germany

## GB-DECLARATION OF CONFORMITY

Manufacturer: Techtronic Industries GmbH  
Max-Eyth-Straße 10, 71364 Winnenden, Germany

We declare as the manufacturer under our sole responsibility that the product mentioned below

Angle Grinder  
Brand: RYOBI  
Model number: RAG18X  
Serial number range: 47554201000001 - 47554201999999

fulfills all the relevant provisions of the following Regulations: S.I. 2008/1597 (as amended), S.I. 2016/1091 (as amended), S.I. 2012/3032 (as amended) and that the following designated standards have been used:

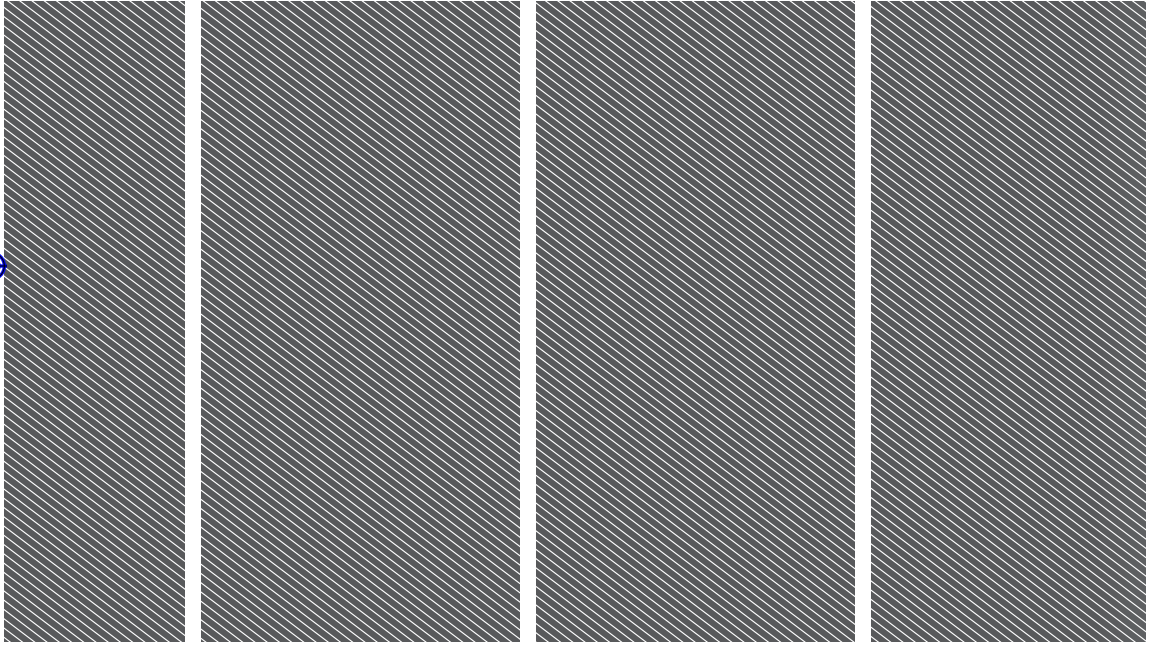
BS EN 55014-1:2017+A11:2020, BS EN 55014-2:2015,  
BS EN 60745-1:2009+A11:2010, BS EN 60745-2-3:2011+A13:2015  
BS EN IEC 63000:2018

Todd Chipner  
Vice President, Quality - Ryobi Asia  
Winnenden, Mar. 5, 2021

Authorised to compile the technical file:  
Alexander Krug, Managing Director  
Techtronic Industries GmbH  
Max-Eyth-Straße 10, 71364 Winnenden, Germany



**EN** RYOBI is a trade mark of Ryobi Limited, and is used under license.  
**FR** RYOBI est une marque déposée de Ryobi Limited, et est utilisée sous licence.  
**DE** RYOBI ist ein Markenzeichen von Ryobi Limited und wird in Lizenz verwendet.  
**ES** RYOBI es una marca registrada de Ryobi Limited, y se utiliza bajo licencia.  
**IT** L'utilizzo del marchio registrato RYOBI è legato alla licenza concessa da Ryobi Limited.  
**NL** RYOBI is een handelsmerk van Ryobi Limited en wordt onder licentie gebruikt.  
**PT** RYOBI é uma marca comercial de Ryobi Limited, e é utilizada sob licença.  
**DA** RYOBI er et varemærke tilhørende Ryobi Limited og bruges under licens.  
**SV** RYOBI är en del av varumärke Ryobi Limited och dess användning är licensierad.  
**FI** RYOBI on Ryobi Limitedin omistama tavaramerkki, ja sitä käytetään lisenssin puitteissa.  
**NO** RYOBI er et varemerke for Ryobi Limited, og brukes under lisens.  
**RU** RYOBI является товарным знаком компании Ryobi Limited, используемым по лицензии.  
**PL** RYOBI to znak towarowy firmy Ryobi Limited i jest używany zgodnie z udzieloną licencją.  
**CS** RYOBI je ochranná známka společnosti Ryobi Limited a její používání podléhá licenci.  
**HU** A RYOBI a Ryobi Limited védjegye, használatát licenc keretében történik.  
**RO** RYOBI este o marcă comercială a firmei Ryobi Limited și este utilizată sub licență.  
**LV** RYOBI ir Ryobi Limited preču zīme un tiek izmantota saskaņā ar licenci.  
**LT** „RYOBI” yra „Ryobi Limited” prekės ženklas, naudojamas pagal licenciją.  
**ET** RYOBI on ettevõtte Ryobi Limited kaubamärk, mida kasutatakse litsentsi alusel.  
**HR** RYOBI je žig tvrtke Ryobi Limited i koristi se po licenci.  
**SL** RYOBI je blagovna znamka družbe Ryobi Limited in se uporablja na podlagi dovoljenja.  
**SK** RYOBI je ochranná známka spoločnosti Ryobi Limited a používa sa na základe licencie.  
**BG** RYOBI е търговска марка на Ryobi Limited и се използва под лиценз.  
**UK** RYOBI є товарним знаком Ryobi Limited, і використовується за ліцензією.  
**TR** RYOBI, Ryobi Limited şirketine ait olup, lisans altında kullanılan bir ticari markadır.  
**EL** Το RYOBI αποτελεί εμπορικό σήμα της Ryobi Limited και χρησιμοποιείται μετά από χορήγηση άδειας.



**Techtronic Industries GmbH**  
Max-Eyth-Straße 10,  
71364 Winnenden, Germany

**Techtronic Industries (UK) Ltd**  
Fieldhouse Lane  
Marlow Bucks SL7 1HZ  
UK

961075668-01