



Einhell

HOME

GH-SP 2768 Submersible pump

Art.-No. 41.704.42

Ideal to empty flooded basements, tanks and containers, etc. The installed float switch controls the ON/OFF functions of the pump. High quality of the material i. e. stainless steel-driving gear, top quality axial face seal, screwed cable locks made of stainless steel warrant an almost corrosion-free and a long service life. The complete housing is made of an impact resistant material (plastic).

Features

- Handle (1)
- Float switch (2)
- Universal connection for 25 mm (1") and 32 mm (1¼") male thread hose connection as well as G1 (ca. 33.3 mm) male thread
- 90 °angel bracket G1½ (ca. 47.8 mm) male thread x G1½ (ca. 47.8 mm) male thread (3)
- Cable reel (4)
- High quality floating ring seal (5)

Technical Data

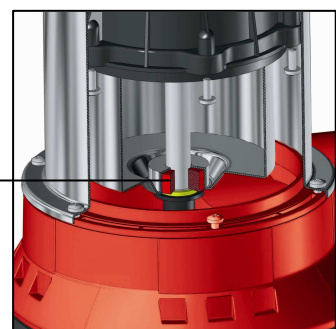
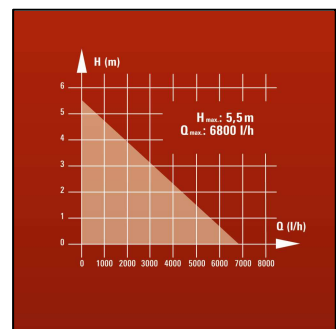
- Mains: 230 V ~ 50 Hz
- Power: 270 W
- Delivery capacity max.: 6,800 l/h
- Delivery height max.: 5.5 m
- Immersion depth: 5 m
- Water temperature max.: 35 °C
- Hose connection: G1½ (ca. 47.8 mm) female thread
- Foreign particle size up to: Ø 5 mm
- Mains cable: 10 m H05RN-F
- ON function: approx. 50 cm
- OFF function: approx. 5 cm
- Exhaust height: 8 mm
- Product weight: 3.9 kg

Logistic Data

- Net weight: 4.1 kg
- Gross weight: 4.5 kg
- Packing dimensions: 220 x 180 x 325 mm
- Bar Code: 4006825 587197
- Sales Unit: 4 pcs



Performance data:



As special accessory available:

PVC-drainage hose 10 m/1"
Einhell Grey

Art.-No.: 41.737.14
Bar code: 4006825 549249

