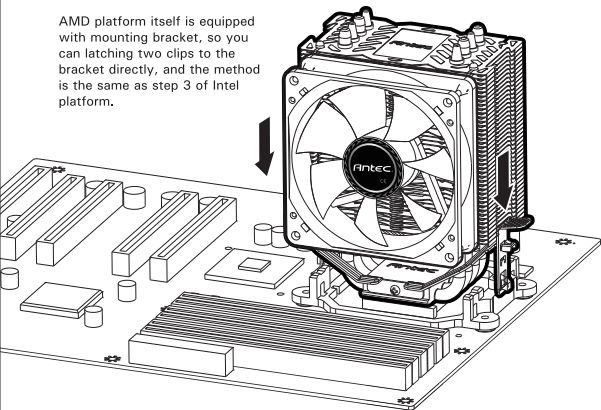


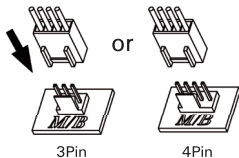
③ AMD platform installation method (Support FM1/FM2/AM3+ /AM3/AM2+ /AM2)

C40

AMD platform itself is equipped with mounting bracket, so you can latching two clips to the bracket directly, and the method is the same as step 3 of Intel platform.



Finally, please connect the fan power plug to the 4-pin connector on the motherboard.



CPU • COOLER

C40

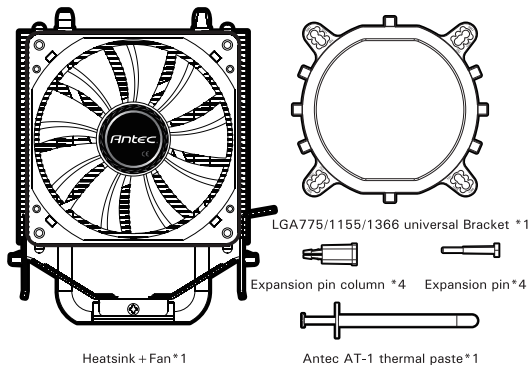
INSTRUCTIONS

① Components

C40

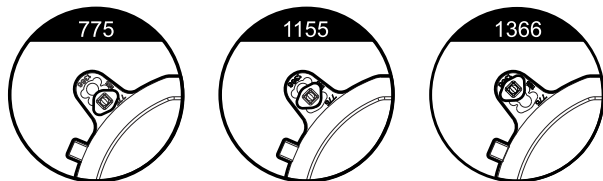
② Intel platform installation method
(Support LGA775/1150/1151/1155/1156/1366)

C40

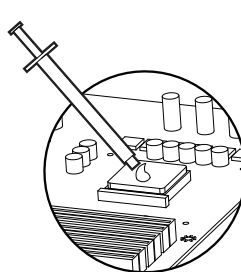


*ANTEC AT-1 thermal paste, is designed for high-end players specially, which has better consistency and higher thermal conductivity .It uses a new mix proportion scheme so as to improve the thermal conductivity increase by 37%.

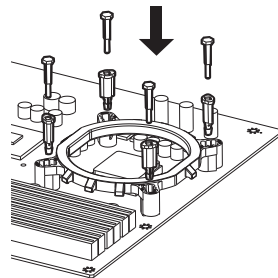
② Intel platform installation method
(Support LGA775/1150/1151/1155/1156/1366)



As shown in the figure, expansion pin column should be installed in the corresponding hole site depending on the platform needed to be installed. (LGA1150/1151/1155/1156 has same hole site)



Please inject thermal paste to the CPU surface and smear evenly.



Install the bracket on the motherboard and fixed by the expansion pin.



After mounting the heatsink on the CPU, then latching two clips to the mounting bracket around the CPU socket, and firmly securing the heat sink.

Finally, please connect the fan power plug to the 4-pin connector on the motherboard.

