

SONY[®]

4-743-482-01(1)

Video Projector

Quick Reference Manual _____ **GB**

Guide de référence rapide _____ **FR**

Manual de referencia rápida _____ **ES**

Kurzreferenz _____ **DE**

Guida rapida all'uso _____ **IT**

Краткое справочное руководство _____ **RU**

快速參考手冊 _____ **CT**

VPL-VW570ES
VPL-VW270ES

EAC



4743482010

About the Quick Reference Manual

This Quick Reference Manual explains the installation and basic operations for projecting pictures. It also describes important notes and cautions to which you have to pay attention when handling and using this unit.

Refer to “Warning Indicators” and “Replacing the Lamp,” as necessary.

For details on the operations, refer to the Operating Instructions contained in the supplied CD-ROM.

Step 1

PreparingPage 12

Step 2

Installing the Unit.....Page 13

Step 3

Connecting the Unit.....Page 15

Step 4

Selecting the Menu LanguagePage 16

Step 5

Projecting.....Page 17

Error Handling **Warning Indicators.....Page 19**

Maintenance **Replacing the LampPage 20**

Before operating the unit, please read this manual thoroughly and retain it for future reference.

WARNING

To reduce the risk of fire or electric shock, do not expose this apparatus to rain or moisture.

To avoid electrical shock, do not open the cabinet. Refer servicing to qualified personnel only.

WARNING

This apparatus must be earthed.

WARNING

When installing the unit, incorporate a readily accessible disconnect device in the fixed wiring, or connect the power plug to an easily accessible socket-outlet near the unit. If a fault should occur during operation of the unit, operate the disconnect device to switch the power supply off, or disconnect the power plug.

CAUTION

For safety, do not connect the connector for peripheral device wiring that might have excessive voltage to the following port: LAN connector

WARNING

1. Use the approved Power Cord (3-core mains lead) / Appliance Connector / Plug with earthing-contacts that conforms to the safety regulations of each country if applicable.
2. Use the Power Cord (3-core mains lead) / Appliance Connector / Plug conforming to the proper ratings (Voltage, Ampere).

If you have questions on the use of the above Power Cord / Appliance Connector / Plug, please consult a qualified service personnel.

CAUTION

- Danger of explosion if battery is incorrectly replaced. Replace only with

the same or equivalent type recommended by the manufacturer.

- When you dispose of the battery or the product, you must obey the law in the corresponding area or country. Do not dispose of the battery or the product in a fire or a hot oven, or mechanically crush or cut the battery. It may explode or cause a fire. Do not subject the battery to extremely low air pressure that may result in an explosion or the leakage of flammable liquid or gas.
- Do not place the battery in a high temperature place, such as under direct sunlight or near fire. It may ignite, explode, or cause a fire. Do not immerse or wet the battery in water or seawater. This may cause an electric shock.

CAUTION

The following size and number of batteries are required for the remote control.

- Size AA (R6)
- Two

To avoid risk of explosion, use only the following type of battery.

- Size AA (R6) manganese or alkaline batteries

GB

Caution on replacement/disposal of the battery for the 3D glasses

Danger of explosion if battery is incorrectly replaced.

Replace only with the same or equivalent type recommended by the manufacturer.

When you dispose of the battery, you must obey the law in the relative area or country.

About 3D Glasses

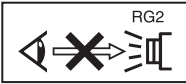
The 3D Glasses communicate with the projector via Bluetooth technology to display 3D signals.

(a) frequency band(s) in which the radio equipment operates:

2.4 - 2.4835 GHz

(b) maximum radio-frequency power transmitted in the frequency band(s) in which the radio equipment operates:

4.30 dBm (E.I.R.P.)



As with any bright light source, do not stare into the beam. RG2 IEC 62471-5:2015.

For the customers in the U.S.A.

This equipment has been tested and found to comply with the limits for a Class B digital device, pursuant to part 15 of the FCC Rules. These limits are designed to provide reasonable protection against harmful interference in a residential installation. This equipment generates, uses and can radiate radio frequency energy and, if not installed and used in accordance with the instructions, may cause harmful interference to radio communications. However, there is no guarantee that interference will not occur in a particular installation. If this equipment does cause harmful interference to radio or television reception, which can be determined by turning the equipment off and on, the user is encouraged to try to correct the interference by one or more of the following measures:

- Reorient or relocate the receiving antenna.
- Increase the separation between the equipment and receiver.
- Connect the equipment into an outlet on a circuit different from that to which the receiver is connected.
- Consult the dealer or an experienced radio/TV technician for help.

You are cautioned that any changes or modifications not expressly approved in this manual could void your authority to operate this equipment.

All interface cables used to connect peripherals must be shielded in order to comply with the limits for a digital device pursuant to Subpart B of part 15 of FCC Rules.

If you have any questions about this product, you may call;

Sony Customer Information Service Center
1-800-222-7669 or <http://www.sony.com/>

Supplier's Declaration of Conformity

Trade Name: SONY
Model: VPL-VW570ES
VPL-VW270ES
Responsible party: Sony Electronics Inc.
Address: 16535 Via Esprillo,
San Diego, CA 92127
U.S.A.
Telephone Number:858-942-2230

This device complies with part 15 of the FCC Rules. Operation is subject to the following two conditions: (1) This device may not cause harmful interference, and (2) this device must accept any interference received, including interference that may cause undesired operation.

This transmitter must not be co-located or operating in conjunction with any other antenna or transmitter.

For the customers the U.S.A.

Radiated Exposure Statement:

The product complies with the US portable RF exposure limit set forth for an uncontrolled environment and is safe for intended operation as described in this manual. The further RF exposure reduction can be achieved if the product can be kept as far as possible from the user body or if the device is set to lower output power if such function is available.

For the customers the U.S.A. and Canada

Radiated Exposure Statement:

The product complies with the US/Canadian portable RF exposure limit set forth for an uncontrolled environment and is safe for intended operation as described in this manual. The further RF exposure reduction can be achieved if the product can be kept as far as possible from the user body or if the device is set to lower output power if such function is available.

For the customers in Canada

CAN ICES-3 (B)/NMB-3(B)

For the customers in Canada

This device complies with Industry Canada's applicable licence-exempt RSSs. Operation is subject to the following two conditions:

(1) This device may not cause interference; and

(2) This device must accept any interference, including interference that may cause undesired operation of the device.

For kundene i Norge

Dette utstyret kan kobles til et IT-strømfordelingssystem.

Bulgarian	С настоящото, Sony Corporation декларира, че това оборудване е в съответствие с Директива 2014/53/EU. Цялостният текст на ЕС декларацията за съответствие може да се намери на следния интернет адрес: http://www.compliance.sony.de/
Croatian	Sony Corporation ovime izjavljuje da je ova oprema u skladu s Direktivom 2014/53/EU. Cjeloviti tekst EU izjave o sukladnosti dostupan je na sljedećoj internetskoj adresi: http://www.compliance.sony.de/
Czech	Sony Corporation tímto prohlašuje, že toto zařízení je v souladu se směrnicí 2014/53/EU. Úplné znění EU prohlášení o shodě je k dispozici na této internetové adrese: http://www.compliance.sony.de/
Danish	Herved erklærer Sony Corporation, at dette udstyr er i overensstemmelse med direktiv 2014/53/EU. Den fulde ordlyd af EU-overensstemmelseserklæringen er tilgængelig på følgende internetadresse: http://www.compliance.sony.de/
Dutch	Hierbij verklaart Sony Corporation dat deze radioapparatuur conform is met Richtlijn 2014/53/EU. De volledige tekst van de EU-conformiteitsverklaring kan worden geraadpleegd op het volgende internetadres: http://www.compliance.sony.de/
English	Hereby, Sony Corporation declares that this equipment is in compliance with Directive 2014/53/EU. The full text of the EU declaration of conformity is available at the following internet address: http://www.compliance.sony.de/
Estonian	Käesolevaga deklareerib Sony Corporation, et käesolev seade vastab direktiivi 2014/53/EL nõuetele. ELi vastavusdeklaratsiooni täielik tekst on kättesaadav järgmisel internetiaadressil: http://www.compliance.sony.de/
Finnish	Sony Corporation vakuuttaa, että tämä laite on direktiivin 2014/53/EU mukainen. EU-vaatimustenmukaisuusvakuutuksen täysimittainen teksti on saatavilla seuraavassa internetosoitteessa: http://www.compliance.sony.de/
Greek	Με την παρούσα Sony Corporation δηλώνει ότι, αυτή η συσκευή πληροί τους όρους της οδηγίας 2014/53/EU. Το πλήρες κείμενο της δήλωσης συμμόρφωσης ΕΕ διατίθεται στην ακόλουθη ιστοσελίδα στο διαδίκτυο: http://www.compliance.sony.de/
Hungarian	A Sony Corporation igazolja, hogy ez a készülék megfelel a 2014/53/EU irányelvnek. Az EU-megfelelőségi nyilatkozat teljes szövege elérhető a következő internetes címen: http://www.compliance.sony.de/

Latvian	Ar šo Sony Corporation deklarē, ka šī iekārta atbilst direktīvai 2014/53/ES. Pilns ES atbilstības deklarācijas teksts ir pieejams šādā interneta vietnē: http://www.compliance.sony.de/
Lithuanian	Mes, Sony Corporation, patvirtiname, kad šis įrenginys atitinka direktyvą 2014/53/ES. Visas ES atitikties deklaracijos tekstas pasiekiamas šiuo internetiniu adresu: http://www.compliance.sony.de/
Norwegian	Herved erklærer Sony Corporation at utstyrstypen er i samsvar med direktiv 2014/53/EU. EU-erklæring fulltekst finner du på Internett under: http://www.compliance.sony.de/
Polish	Sony Corporation niniejszym oświadcza, że to urządzenie jest zgodne z dyrektywą 2014/53/UE. Pełny tekst deklaracji zgodności UE jest dostępny pod następującym adresem internetowym: http://www.compliance.sony.de/
Portuguese	O(a) abaixo assinado(a) Sony Corporation declara que o presente equipamento está em conformidade com a Diretiva 2014/53/UE. O texto integral da declaração de conformidade está disponível no seguinte endereço de Internet: http://www.compliance.sony.de/
Romanian	Prin prezenta, Sony Corporation declară că acest echipament este în conformitate cu Directiva 2014/53/UE. Textul integral al declarației UE de conformitate este disponibil la următoarea adresă internet: http://www.compliance.sony.de/
Slovak	Sony Corporation týmto vyhlasuje, že zariadenie je v súlade so smernicou 2014/53/EÚ. Úplné vyhlásenie EÚ o zhode je k dispozícii na tejto internetovej adrese: http://www.compliance.sony.de/
Slovenian	Sony Corporation potrjuje, da je ta oprema skladna z Direktivo 2014/53/EU. Celotno besedilo izjave EU o skladnosti je na voljo na naslednjem spletnem naslovu: http://www.compliance.sony.de/
Swedish	Härmed försäkrar Sony Corporation att denna utrustning överensstämmer med direktiv 2014/53/EU. Den fullständiga texten till EU-försäkran om överensstämmelse finns på följande webbadress: http://www.compliance.sony.de/
Turkish	Sony Corporation, bu cihazın 2014/53/EU Direktifi ile uyumlu olduğunu beyan eder. AB uyumluluk beyanının tam metni aşağıdaki internet adresinde mevcuttur: http://www.compliance.sony.de/

For Customers in UAE (United Arab Emirates)

TRA

REGISTERED No: ER0115212/13

DEALER No: DA0065531/11



**For the Customers in Brazil only
Apenas para clientes no Brasil**

DESCARTE DE PILHAS E BATERIAS



Após o uso, as pilhas e/ou baterias deverão ser entregues ao estabelecimento comercial ou rede de assistência técnica autorizada.

**Pilhas e Baterias não recarregáveis
Atenção:**

Verifique as instruções de uso do aparelho certificando-se de que as polaridades (+) e (-) estão no sentido indicado. As pilhas poderão vazar ou explodir se as polaridades forem invertidas, expostas ao fogo, desmontadas ou recarregadas.

Evite misturar com pilhas de outro tipo ou com pilhas usadas, transportá-las ou armazená-las soltas, pois aumenta o risco de vazamento.

Retire as pilhas caso o aparelho não esteja sendo utilizado, para evitar possíveis danos na eventualidade de ocorrer vazamento.

As pilhas devem ser armazenadas em local seco e ventilado.

No caso de vazamento da pilha, evite o contato com a mesma. Lave qualquer parte do corpo afetado com água abundante. Ocorrendo irritação, procure auxílio médico.

Não remova o invólucro da pilha.

Mantenha fora do alcance das crianças. Em caso de ingestão procure auxílio médico imediatamente.

**Türkiye'deki müşteriler için
AEEE Yönetmeliğine Uygundur**

For the customers in the U.S.A.

SONY LIMITED WARRANTY - Please visit <http://www.sony.com/psa/warranty> for important information and complete terms and conditions of Sony's limited warranty applicable to this product.

For the customers in Canada

SONY LIMITED WARRANTY - Please visit <http://www.sonybiz.ca/pro/lang/en/ca/article/resources-warranty> for important information and complete terms and conditions of Sony's limited warranty applicable to this product.

For the customers in Europe

Sony Professional Solutions Europe - Standard Warranty and Exceptions on Standard Warranty.

Please visit <http://www.pro.sony.eu/warranty> for important information and complete terms and conditions.

For the customers in Korea

SONY LIMITED WARRANTY - Please visit <http://bpeng.sony.co.kr/handler/BPAS-Start> for important information and complete terms and conditions of Sony's limited warranty applicable to this product.

Precautions

On safety

- Check that the operating voltage of your unit is identical with the voltage of your local power supply.
- Should any liquid or solid object fall into the cabinet, unplug the unit and have it checked by qualified personnel before operating it further.
- Unplug the unit from the wall outlet if it is not to be used for several days.
- To disconnect the cord, pull it out by the plug. Never pull the cord itself.
- The wall outlet should be near the unit and easily accessible.
- The unit is not disconnected to the AC power source (mains) as long as it is connected to the wall outlet, even if the unit itself has been turned off.
- Do not look into the lens while the lamp is on.
- Do not place your hand or objects near the ventilation holes. The air coming out is hot.

On preventing internal heat build-up

After you turn off the power with the I/⏻ (ON/STANDBY) button, do not disconnect the unit from the wall outlet while the cooling fan is still running.

Caution

This unit is equipped with ventilation holes (intake) and ventilation holes (exhaust). Do not block or place anything near these holes, or internal heat build-up may occur, causing picture degradation or damage to the unit.

On repacking

Save the original shipping carton and packing material; they will come in handy if you ever have to ship your unit. For maximum protection, repack your unit as it was originally packed at the factory.

On watching 3D video images

Safety precautions

- You should only use the 3D glasses for watching 3D video images.
- If you observe flickering or flashing, turn off the lighting in the room.
- Not for use by children without proper adult supervision.
- Be careful not to pinch your fingers in hinges of the 3D glasses when bending the temple frames.
- Do not drop or modify these 3D glasses.
- If these glasses are broken, keep broken pieces away from your mouth or eyes.

On LCD Projector

The LCD projector is manufactured using high-precision technology. You may, however, see tiny black points and/or bright points (red, blue, or green) that continuously appear on the LCD projector. This is a normal result of the manufacturing process and does not indicate a malfunction. Also, when you use multiple LCD projectors to project onto a screen, even if they are of the same model, the color reproduction among projectors may vary, since color balance may be set differently from one projector to the next.

On condensation

If the room temperature where the projector is installed changes rapidly, or if the projector is moved suddenly from a cold to a warm place, condensation in the projector may occur. As the condensation may cause malfunction, be careful in adjusting temperature settings of the air conditioner. If condensation occurs, leave the projector turned on for about two hours before use.

Notes on security

- SONY WILL NOT BE LIABLE FOR DAMAGES OF ANY KIND RESULTING FROM A FAILURE TO IMPLEMENT PROPER SECURITY MEASURES ON TRANSMISSION DEVICES, UNAVOIDABLE DATA LEAKS RESULTING FROM TRANSMISSION SPECIFICATIONS,

OR SECURITY PROBLEMS OF ANY KIND.

- Depending on the operating environment, unauthorized third parties on the network may be able to access the unit. When connecting the unit to the network, be sure to confirm that the network is protected securely.
- From a safety standpoint, when using the unit connected with the network, it is strongly recommended to access the Control window via a Web browser and change the access limitation settings from the factory preset values (refer to “Using Network Features” in the Operating Instructions).
- Changing the password regularly is also recommended.
- Do not browse any other website in the Web browser while making settings or after making settings. Since the login status remains in the Web browser, close the Web browser when you complete the settings to prevent unauthorized third parties from using the unit or harmful programs from running.

SONY WILL NOT BE LIABLE FOR DAMAGES OF ANY KIND RESULTING FROM THE USE OF THIS UNIT FOR PURPOSES OTHER THAN GENERAL HOME USE, EITHER DURING THE WARRANTY PERIOD OR AFTER EXPIRATION OF THE WARRANTY.

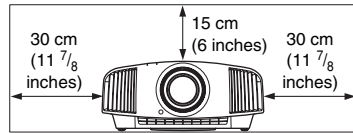
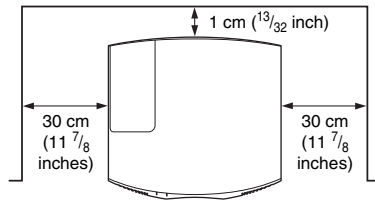
Notes on Installation and Usage

Unsuitable installation

Do not place the unit in the following situations, which may cause malfunction or damage to the unit.

Near walls

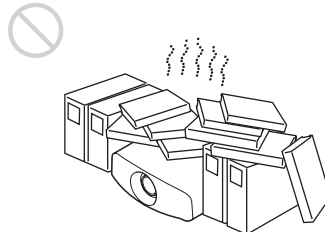
To maintain the performance and reliability of the unit, leave space between walls and the unit as illustrated.



Air from air conditioners or the ventilation holes of this unit or other devices, may cause oscillation on the screen. Be sure not to install this unit in the area where the air from air conditioners or the ventilation holes of these devices reach to the front side of this unit.

Poorly ventilated location

Leave space of more than 30 cm (11 7/8 inches) around the unit.

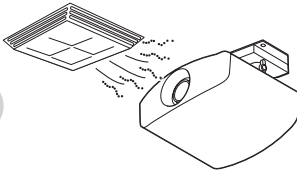


Hot and humid



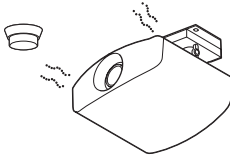
Locations subject to direct cool or warm air from an air-conditioner

Installing the unit in such a location may cause a malfunction of the unit due to moisture condensation or rise in temperature.

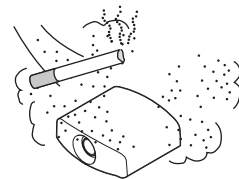


Near a heat or smoke sensor

Malfunction of the sensor may occur.



Very dusty and extremely smoky locations



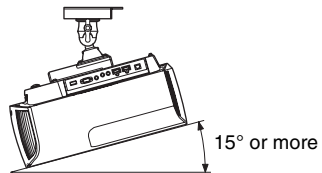
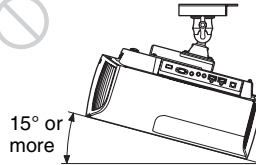
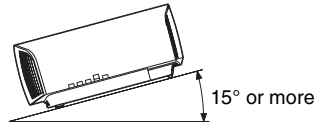
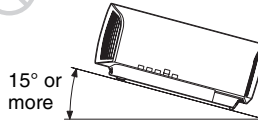
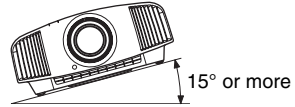
Unsuitable Conditions

Do not do any of the following while using the unit.


Tilting front/rear and left/right

Avoid using the unit tilted at an angle of more than 15 degrees.

Do not install the unit anywhere other than on a level surface or on the ceiling. Installing the unit in such a location may result in uneven color uniformity or reduce the reliability of the effects of the lamp. If the unit is tilted up or down, the image on the screen may be trapezoidal. Position the unit so that the lens is parallel to the screen.



When installing the unit at high altitudes

When using the unit at an altitude of 1,500 m (approx. 4,900 ft) or higher, set “High Altitude Mode” on the Setup  menu to “On”. Failing to set this mode when using the unit at high altitudes could have

adverse effects, such as reducing the reliability of certain components.

Safety precautions for installing the unit on a ceiling

- Never mount the projector on the ceiling or move it by yourself. Be sure to consult with qualified Sony personnel (charged).
- When installing the unit on a ceiling, be sure to use a safety wire, etc., to prevent the unit from falling. Entrust the installation to an experienced contractor or installer.

For dealers

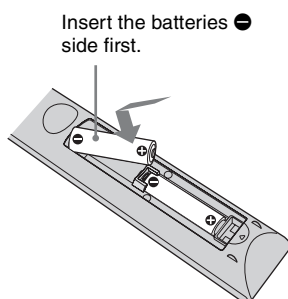
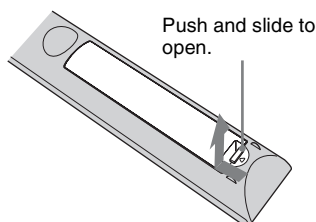
- When the projector is mounted on the ceiling, a Sony bracket or recommended equivalent must be used for installation.
- Be sure to secure the cabinet cover firmly when installing to the ceiling firmly.

Checking the Supplied Accessories

Check the carton to make sure it contains the following items:

- Remote control (1)
VPL-VW570ES: RM-PJ24
VPL-VW270ES: RM-PJ28
- Size AA (R6) manganese batteries (2)
- Lens cap (1)
When you purchase the projector, a lens cap is on the lens. Remove the lens cap before you use the projector.
- AC power cord (1)
- Quick Reference Manual (this manual) (1)
- Operating Instructions (CD-ROM) (1)

Inserting the Batteries into the Remote Control



Caution about handling the remote control

- Handle the remote control with care. Do not drop or step on it, or spill liquid of any kind onto it.

- Do not place the remote control in a location near a heat source, a place subject to direct sunlight, or a damp room.

Using the CD-ROM manual

The manual can be read on a computer with Adobe Reader installed.

You can download Adobe Reader free from the Adobe website.

- 1 Open the index.html file in the CD-ROM.
- 2 Select and click on the manual that you want to read.

Note

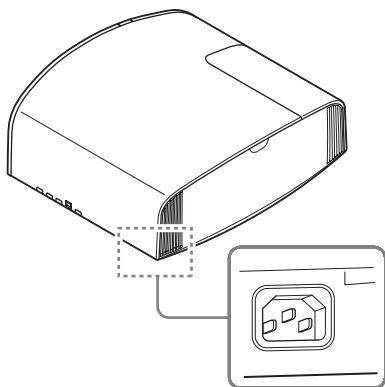
If you have lost or damaged the CD-ROM, you can purchase a new one from your Sony dealer or Sony service counter.

Step 2

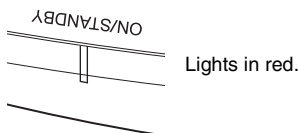
Installing the Unit

- 1 Position the unit so that the lens is parallel to the screen.
- 2 After connecting the AC power cord to the unit, plug the AC power cord into a wall outlet.

Rear of the unit



Front of the unit

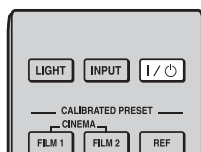


Note

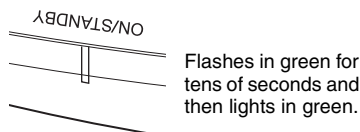
After connecting the AC power cord to the unit, the ON/STANDBY indicator may blink in orange.

You may not be able to control the unit while the indicator is blinking, but this is not a malfunction. Wait until it stops blinking and remains lit in red.

- 3 Press the I/⏻ (ON/STANDBY) button to turn on the unit.

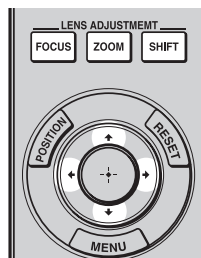


Front of the unit



- 4 Project an image on the screen, then adjust the focus, size, and position.

VPL-VW570ES

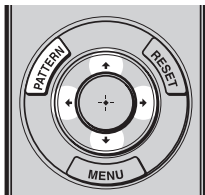


- 1 **Adjust the focus.**
Press the LENS ADJUSTMENT (FOCUS) button to display the Lens Focus adjustment window (test pattern). Then adjust the focus of the picture by pressing the **↑/↓/←/→** buttons.
- 2 **Adjust the picture size.**
Press the LENS ADJUSTMENT (ZOOM) button to display the Lens Zoom adjustment window (test pattern). Then adjust the size of the picture by pressing the **↑/↓/←/→** buttons.

③ Adjust the picture position.

Press the LENS ADJUSTMENT (SHIFT) button to display the Lens Shift adjustment window (test pattern). Then adjust to the proper position of the picture by pressing the $\uparrow/\downarrow/\leftarrow/\rightarrow$ buttons.

VPL-VW270ES



① Adjust the focus.

Press the PATTERN button repeatedly to display the Lens Focus adjustment window (test pattern). Then adjust the focus of the picture by pressing the $\uparrow/\downarrow/\leftarrow/\rightarrow$ buttons.

② Adjust the picture size.

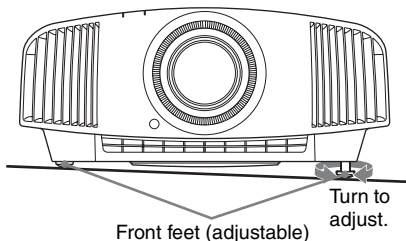
Press the PATTERN button repeatedly to display the Lens Zoom adjustment window (test pattern). Then adjust the size of the picture by pressing the $\uparrow/\downarrow/\leftarrow/\rightarrow$ buttons.

③ Adjust the picture position.

Press the PATTERN button repeatedly to display the Lens Shift adjustment window (test pattern). Then adjust to the proper position of the picture by pressing the $\uparrow/\downarrow/\leftarrow/\rightarrow$ buttons.

To adjust the tilt of the installation surface

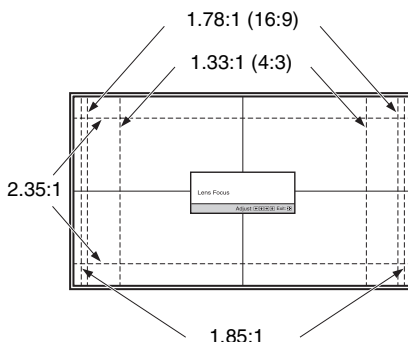
If the unit is installed on an uneven surface, use the front feet (adjustable) to keep the unit level.



Notes

- If the unit is tilted up or down, the projected image may be trapezoidal.
- Be careful not to catch your finger when turning the front feet (adjustable).

Lens adjustment window (test pattern)



The dashed lines show the screen sizes of each aspect ratio.

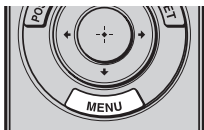
For more information, refer to "Connections and Preparations" in the Operating Instructions contained in the supplied CD-ROM.

Step 4

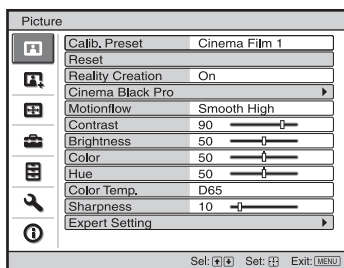
Selecting the Menu Language

You can select the language for displaying the menu and other on-screen displays. To change the current menu language, set the desired language with the menu screen.

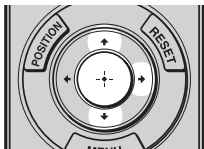
1 Press MENU.



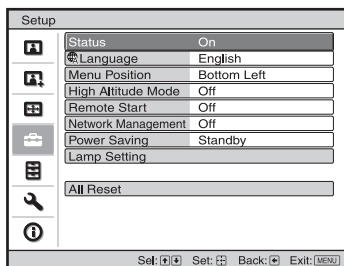
The menu appears.



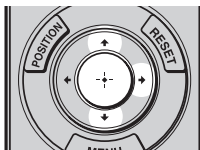
2 Press \uparrow/\downarrow to select the Setup menu, and press \rightarrow or \odot .



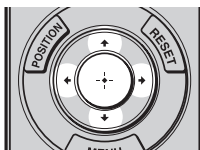
The setting items of the selected menu appear.



3 Press \uparrow/\downarrow to select "Language," and press \rightarrow or \odot .



4 Press $\uparrow/\downarrow/\leftarrow/\rightarrow$ to select a language, and press \odot .

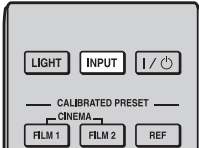


The menu changes to the selected language.

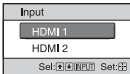
To clear the menu
Press MENU.

Projecting the Picture

- 1 Turn on both the unit and the equipment connected to the unit.
- 2 Press INPUT to display the input palette on the screen.



- 3 Select the equipment from which you want to display images.
Press INPUT repeatedly or press **↑/↓/⊕** (enter) to select the equipment from which to project.



Example: To view the picture from the video equipment connected to the HDMI 1 connector of this unit.

Turning Off the Power

- 1 Press the **I/⏻** (ON/STANDBY) button.
A message “POWER OFF?” appears on the screen.
- 2 Press the **I/⏻** (ON/STANDBY) button again before the message disappears.
The ON/STANDBY indicator flashes in green and the fan continues to run to reduce the internal heat.

The fan stops and the ON/STANDBY indicator changes from flashing green to remaining red.

The power is turned off completely, and you can disconnect the AC power cord.

Note

Never disconnect the AC power cord while the indicator is flashing.

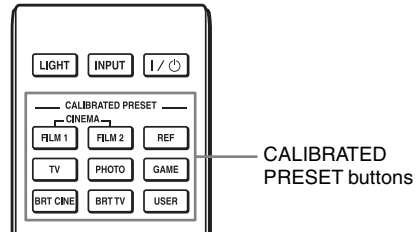
Tip

You can turn off the unit by holding the **I/⏻** (ON/STANDBY) button for about 1 second, instead of performing the above steps.

For more information, refer to “Projecting” in the Operating Instructions contained in the supplied CD-ROM.

Selecting the Picture Viewing Mode

Press one of the CALIBRATED PRESET buttons.



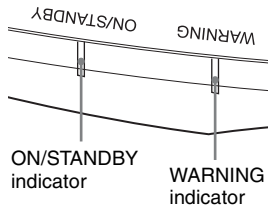
Setting items	Description
CINEMA FILM 1	Picture quality suited to reproducing the highly dynamic and clear images typical of master positive film.
CINEMA FILM 2	Picture quality suited to reproducing the rich tone and color typical of a movie theater, based on the Cinema Film 1.
REF	A picture quality setup suitable for when you want to reproduce faithfully the original image quality, or for enjoying image quality, without any adjustment.
TV	Picture quality suited for watching TV programs, sports, concerts, and other video images.
PHOTO	Ideal for projecting still images taken with a digital camera.
GAME	Picture quality suited to gaming, with well-modulated colors and fast response.
BRT CINE	Picture quality suited for watching movies in a bright environment, such as a living room.
BRT TV	Picture quality suited for watching TV programs, sports, concerts, and other video images in a bright environment, such as a living room.
USER	Adjusts the picture quality to suit your taste then saves the setting. The factory default setting is the same as "REF."

For more information, refer to "Projecting" in the Operating Instructions contained in the supplied CD-ROM.

Error Handling

Warning Indicators

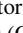
The ON/STANDBY or WARNING indicator lights up or flashes if there is any trouble with your projector.



Flashing/Lighting indicators	The number of flashes	Cause and Remedy
<p>(Lights in red) (Flashes in red)</p>	<p>Twice</p> <hr/> <p>Three times</p>	<p>Close the lamp cover securely, then tighten the screws securely.</p> <hr/> <p>The temperature of lamp is unusually high. Turn off the power and wait for the lamp to cool, then turn on the power again. If the symptom persists, the lamp may be at the end of its service life. In this case, replace the lamp with a new one.</p>
<p>(Flashes in red) (Flashes in red) Both indicators flash</p>	<p>Twice</p> <hr/> <p>Three times</p>	<p>The internal temperature is unusually high. Check to ensure that if nothing is blocking the ventilation holes or whether or not the unit is being used at high altitudes.</p> <hr/> <p>The fan is broken. Consult with qualified Sony personnel.</p>

Note

If the symptom persists even after carrying out the above methods, consult with qualified Sony personnel.

If the indicator starts flashing in a way of other than the above, turn off, and then turn on the power with the  (On/Standby) button on the remote control or control panel of the unit.

If the symptom is shown again, consult with qualified Sony personnel.

If there is any problem or an error message appears on the screen, refer to "Error Handling" in the Operating Instructions contained in the supplied CD-ROM.

Maintenance

The lamp used for the light source has a certain lifespan. When the lamp dims, the color balance of the picture becomes strange, or “Please replace the Lamp.” appears on the screen, the lamp may be exhausted. Replace the lamp with a new one (not supplied) without delay.

Tip

The lifespan of the lamp used for the light source changes depending on the installation environment or use conditions. You can use the lamp longer by avoiding turning the lamp off until several minutes pass after turning the lamp on.

Tools you need to get started:

- Projector Lamp (Optional)
VPL-VW570ES: LMP-H280
VPL-VW270ES: LMP-H220
- Standard Phillips screwdriver
- Cloth (for scratch protection)

Caution

- The lamp remains hot after the unit is turned off with the I/⏻ (ON/STANDBY) button. If you touch the lamp, you may burn your fingers. When you replace the lamp, wait for at least 1 hour for the lamp to cool.
- Do not touch the surface of the lamp. If you touch it, wipe off the fingerprints with a soft cloth.
- Pay special attention to replacing the lamp when the unit is installed on the ceiling.
- When replacing the lamp of a unit which is on the ceiling, do not stand directly under the lamp cover. When removing the lamp door (inner cover), avoid twisting it. If the lamp explodes, fragments may cause injury.
- When removing the lamp unit, make sure it remains horizontal, then pull straight up. Do not tilt the lamp unit. If you pull out the lamp unit while tilted and if the lamp breaks, the pieces may scatter, causing injury.

Notes

- Be sure to use a specified projector lamp for the replacement. If you use lamps other than

the specified projector lamp, the unit may malfunction.


- Be sure to turn off the unit and unplug the power cord before replacing the lamp, then check the ON/STANDBY indicator has already been turned off.

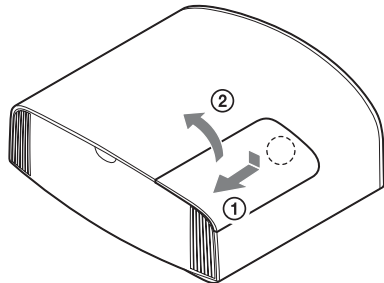
Replacing the Lamp

- 1 Turn off the unit and unplug the AC power cord.
- 2 When setting the unit on a flat surface such as a desk etc., put a cloth to prevent the surface from being scratched. Place the unit on the cloth.

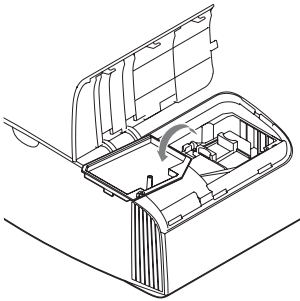
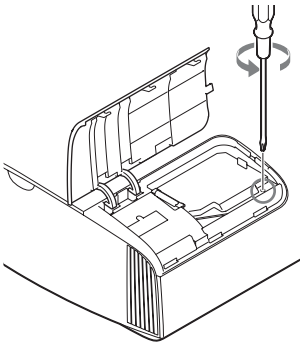
Note

Be sure that the unit is placed on a stable surface.

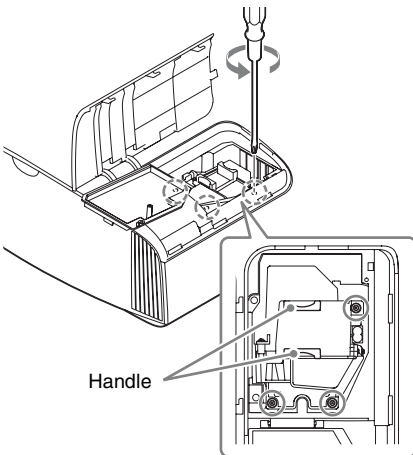
- 3 While pressing the  part indicated in the lamp cover illustration, slide ① and then open ② the lamp cover.



- 4 Loosen the lamp door (inner cover) screw with a Phillips screwdriver, and then open the lamp door.



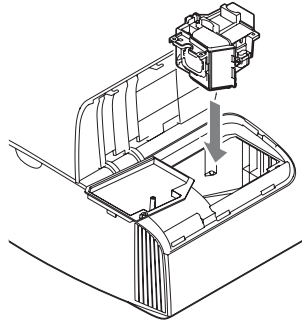
- 5** Loosen the 3 screws on the lamp with the Phillips screwdriver. Hold up the handle, then pull the lamp straight out.



Notes

- Do not loosen other screws except the 3 specified screws.
- Hold the lamp by the handle to remove and attach it.

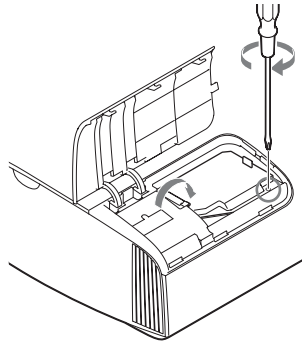
- 6** Push in the new lamp by the handle securely until it reaches the end, and then tighten the 3 screws.



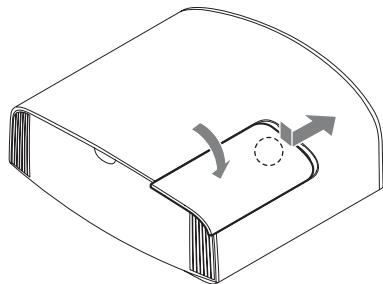
Note

Be careful not to touch the optical block inside the unit.

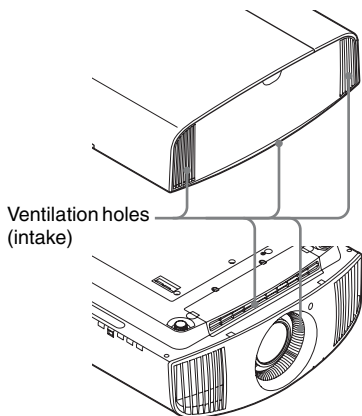
- 7** Close the lamp door (inner cover), and then tighten the screw.




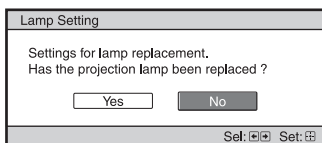
- 8** Close the lamp cover.



- 9 Wipe dust off the ventilation holes (intake) with a soft cloth.



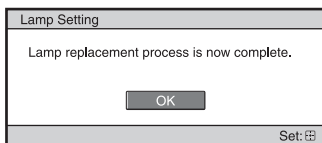
- 10 Turn on the unit, then select the lamp setting item on the Setup  menu. The menu screen below will be appeared.



Tip

If "Settings Lock" is set to "Level B," set to "Off" once.

- 11 Select "Yes."



Caution

Do not put your hands into the lamp replacement slot, and do not allow any liquid or other objects into the slot to avoid electrical shock or fire.

Notes

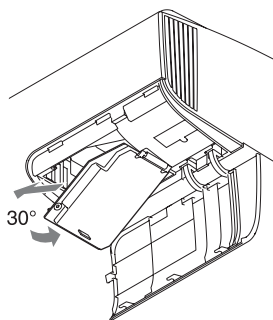
- The unit will not turn on unless the lamp is securely installed in place.

- The unit will not turn on unless the lamp cover are securely closed.
- To clear a message displayed on the screen, press any button either on the remote control or the control panel of the unit once.

Note on replacing the lamp when broken, in the case of a ceiling installation

If the lamp breaks, broken lamp pieces may scatter and cause injury.

When the unit is on the ceiling, remove the lamp door (inner cover) by sliding it horizontally slowly after raising it with 30 degree opened. Avoid twisting the lamp door (inner cover).



Note

The lamp contains mercury. The disposal rules for used fluorescent tubes depend on where you live. Follow the waste disposal policy in your area.

A propos du Guide de référence rapide

Ce Guide de référence rapide décrit l'installation et les procédures de base de projection des images. Vous y trouverez également des mises en garde et des remarques importantes qu'il convient de respecter au cours de la manipulation et de l'utilisation de cet appareil. Reportez-vous à « Indicateurs d'avertissement » et « Remplacement de la lampe », le cas échéant.

Pour plus d'informations sur l'utilisation, reportez-vous au Mode d'emploi que vous trouverez sur le CD-ROM fourni.

Etape 1

Préparation Page 9

Etape 2

Installation de l'appareil Page 10

Etape 3

Raccordement de l'appareil Page 12

Etape 4

Sélection de la langue du menu Page 13

Etape 5

Projection Page 14

Gestion des erreurs

Indicateurs d'avertissement Page 16

Entretien

Remplacement de la lampe Page 17

Avant d'utiliser l'appareil, veuillez lire attentivement ce manuel et le conserver pour future référence.

AVERTISSEMENT

Afin de réduire les risques d'incendie ou d'électrocution, ne pas exposer cet appareil à la pluie ou à l'humidité. Afin d'écartier tout risque d'électrocution, garder le coffret fermé. Ne confier l'entretien de l'appareil qu'à un personnel qualifié.

AVERTISSEMENT

Cet appareil doit être relié à la terre.

AVERTISSEMENT

Lors de l'installation de l'appareil, incorporer un dispositif de coupure dans le câblage fixe ou brancher la fiche d'alimentation dans une prise murale facilement accessible proche de l'appareil. En cas de problème lors du fonctionnement de l'appareil, enclencher le dispositif de coupure d'alimentation ou débrancher la fiche d'alimentation.

ATTENTION

Par mesure de sécurité, ne raccordez pas le connecteur pour le câblage de périphériques pouvant avoir une tension excessive au port suivant :
connecteur LAN

AVERTISSEMENT

1. Utilisez un cordon d'alimentation (câble secteur à 3 fils)/fiche femelle/fiche mâle avec des contacts de mise à la terre conformes à la réglementation de sécurité locale applicable.
2. Utilisez un cordon d'alimentation (câble secteur à 3 fils)/fiche femelle/fiche mâle avec des caractéristiques nominales (tension, ampérage) appropriées.

Pour toute question sur l'utilisation du cordon d'alimentation/fiche femelle/fiche mâle ci-dessus, consultez un technicien du service après-vente qualifié.

ATTENTION

- Il y a danger d'explosion s'il y a un remplacement incorrect de la batterie. Remplacer uniquement avec une batterie du même type ou d'un type équivalent recommandé par le constructeur.
- Lors de la mise au rebut de la batterie ou du produit, vous devez respecter la loi de la région ou du pays concerné. Ne mettez pas la batterie ou le produit au rebut dans un feu ou un four chaud, ou n'écrasez pas mécaniquement la batterie et ne la coupez pas. Elle risque d'exploser ou de provoquer un incendie. Ne soumettez pas la batterie à une pression d'air extrêmement basse qui pourrait entraîner une explosion ou une fuite de liquide ou de gaz inflammable.
- Ne placez pas la batterie dans un endroit à température élevée, tel qu'à la lumière directe du soleil ou à proximité d'un feu. Elle risque de prendre feu, d'exploser ou de provoquer un incendie. Ne plongez pas et ne mouillez pas la batterie dans de l'eau douce ou de l'eau de mer. Cela risque de provoquer une électrocution.

ATTENTION

La taille et le nombre de piles suivants sont requis pour la télécommande.

- Format AA (R6)
- Deux

Pour éviter tout risque d'explosion, utilisez uniquement le type de pile suivant.

- Des piles de format AA (R6) au manganèse ou alcalines

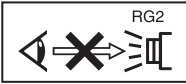
Attention lors du remplacement/de la mise au rebut de la batterie des lunettes 3D

Il y a danger d'explosion s'il y a un remplacement incorrect de la batterie. Remplacer uniquement avec une batterie du même type ou d'un type équivalent recommandé par le constructeur. Lorsque vous mettez la batterie au rebut, vous devez respecter la législation en vigueur dans le pays ou la région où vous vous trouvez.

À propos des lunettes 3D

Les lunettes 3D affichent des signaux 3D en communiquant avec le projecteur via la technologie Bluetooth.

- a) bandes de fréquences utilisées par l'équipement radioélectrique:
2.4 - 2.4835 GHz
- b) puissance de radiofréquence maximale transmise sur les bandes de fréquences utilisées par l'équipement radioélectrique:
4.30 dBm (E.I.R.P.)



Comme pour n'importe quelle source de lumière vive, ne regardez pas fixement le faisceau, RG2 IEC 62471-5: 2015.

Pour les clients au Canada

CAN ICES-3 (B)/NMB-3(B)

Pour les clients au Canada

Le présent appareil est conforme aux CNR d'Industrie Canada applicables aux appareils radio exempts de licence. L'exploitation est autorisée aux deux conditions suivantes :

- (1) l'appareil ne doit pas produire de brouillage;
- (2) l'utilisateur de l'appareil doit accepter tout brouillage radioélectrique subi, même si le brouillage est susceptible d'en compromettre le fonctionnement.

Déclaration d'exposition aux radiations:

Le produit est conforme aux limites d'exposition pour les appareils portables RF pour les Etats-Unis et le Canada établies pour un environnement non contrôlé. Le produit est sûr pour un fonctionnement tel que décrit dans ce manuel. La réduction aux expositions RF peut être augmentée si l'appareil peut être conservé aussi loin que possible du corps de l'utilisateur ou que le dispositif est réglé sur la puissance de sortie la plus faible si une telle fonction est disponible.

Le soussigné, Sony Corporation, déclare que cet équipement est conforme à la Directive 2014/53/UE.

Le texte complet de la déclaration UE de conformité est disponible à l'adresse internet suivante : <http://www.compliance.sony.de/>

Pour les clients au Canada

GARANTIE LIMITÉE DE SONY -

Rendez-vous sur <http://www.sonybiz.ca/pro/lang/en/ca/article/resources-warranty> pour obtenir les informations importantes et l'ensemble des termes et conditions de la garantie limitée de Sony applicable à ce produit.

Précautions

Sécurité

- S'assurer que la tension de service de votre projecteur est identique à la tension locale.
- Si du liquide ou un objet quelconque venait à pénétrer dans le boîtier, débrancher le projecteur et le faire vérifier par un technicien qualifié avant la remise en service.
- Débrancher le projecteur de la prise murale en cas de non-utilisation pendant plusieurs jours.
- Pour débrancher le cordon, le tirer par la fiche. Ne jamais tirer sur le cordon lui-même.
- La prise murale doit se trouver à proximité du projecteur et être facile d'accès.
- Le projecteur n'est pas déconnecté de la source d'alimentation tant qu'il reste branché à la prise murale, même s'il a été mis hors tension.
- Ne pas regarder dans l'objectif lorsque la lampe est allumée.
- Ne pas placer la main ou des objets à proximité des orifices de ventilation. L'air expulsé est brûlant.

Prévenir l'accumulation de chaleur interne

Après avoir mis l'appareil hors tension au moyen du bouton I/⏻ (marche/veille), ne pas le débrancher de la prise murale tant que le ventilateur de refroidissement tourne.

Mise en garde

Cet appareil est doté d'orifices de ventilation (prise d'air et sortie d'air). Ne pas obstruer ces orifices et ne rien placer à proximité car ceci risquerait de provoquer une surchauffe interne pouvant entraîner une altération de l'image ou un endommagement de l'appareil.

Remballage

Conserver le carton d'emballage original et le matériel d'emballage ; ils seront très utiles si l'on doit un jour expédier l'appareil. Pour assurer une protection maximale, remballer

l'appareil tel qu'il avait été emballé en usine.

À propos du visionnage d'images vidéo 3D

Consignes de sécurité

- Vous devez seulement porter les lunettes 3D pour regarder des images vidéo 3D.
- Si vous observez des scintillements ou des éclairs, éteignez l'éclairage.
- Cet appareil n'est pas destiné à être utilisé par des enfants sans la surveillance d'un adulte.
- Veillez à ne pas vous pincer les doigts dans les charnières des lunettes 3D lorsque vous repliez les branches.
- Ne laissez pas tomber ou ne modifiez pas ces lunettes 3D.
- Si ces lunettes sont cassées, éloignez les débris de la bouche ou des yeux.

Projecteur LCD

Le projecteur LCD est fabriqué au moyen d'une technologie de haute précision. Il se peut toutefois que vous constatiez que de petits points noirs et/ou lumineux (rouges, bleus ou verts) apparaissent continuellement sur le projecteur LCD. Ceci est un résultat normal du processus de fabrication et n'est pas le signe d'un dysfonctionnement. Si vous utilisez plusieurs projecteurs LCD pour projeter sur un écran, la reproduction des couleurs peut varier selon les projecteurs, même s'ils sont du même modèle. Ceci est dû au fait que l'équilibre des couleurs peut être réglé différemment sur les projecteurs.

Remarque concernant la condensation

Si la pièce dans laquelle le projecteur est installé subit de brusques changements de températures ou si vous déplacez le projecteur d'un endroit froid à un endroit chaud, de la condensation peut se former à l'intérieur du projecteur. Étant donné que la condensation peut provoquer un dysfonctionnement, réglez la température de votre climatiseur avec précaution. Si de la condensation se forme, laissez le projecteur allumé pendant deux heures avant de l'utiliser.

Remarques sur la sécurité

- Sony ne peut être tenue responsable de tout dommage, de quelque nature que ce soit, résultant d'une incapacité à mettre en place des mesures de sécurité adaptées pour les dispositifs de transmission, de fuites de données inévitables dues aux spécifications de transmission ou de tout autre problème de sécurité.
- Selon l'environnement d'exploitation, il est possible que des tiers non autorisés sur le réseau puissent accéder à l'appareil. Avant de connecter l'appareil au réseau, vérifiez que le réseau est bien protégé.
- Pour des raisons de sécurité, lors de l'utilisation de cet appareil connecté au réseau, il est fortement recommandé d'accéder à la fenêtre de commande via un navigateur Web et de modifier la limitation d'accès des valeurs d'usine préreglées (reportez-vous à la section « Utilisation des fonctionnalités réseau » du Mode d'emploi).
Il est par ailleurs recommandé de modifier régulièrement le mot de passe.
- Ne consultez aucun autre site Web dans le navigateur Web pendant ou après la configuration. Étant donné que l'état de connexion est conservé dans le navigateur Web, fermez ce dernier lorsque la configuration est terminée pour empêcher tout tiers non autorisé d'utiliser l'appareil ou d'exécuter des programmes malveillants.

SONY NE PEUT ÊTRE TENUE RESPONSABLE DE TOUT DOMMAGE, DE QUELQUE NATURE QUE CE SOIT, RÉSULTANT DE L'UTILISATION DE CET APPAREIL À D'AUTRES FINS QU'UN USAGE DOMESTIQUE ORDINAIRE PENDANT LA PÉRIODE DE GARANTIE OU APRÈS L'EXPIRATION DE CELLE-CI.

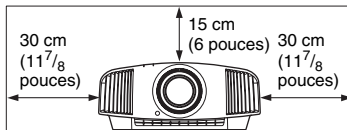
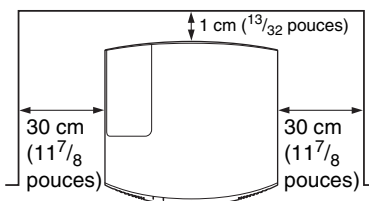
Remarques sur l'installation et l'utilisation

Installation déconseillée

Ne pas placer l'appareil dans les positions suivantes, ce qui risquerait de provoquer un dysfonctionnement ou des dommages.

Murs proches

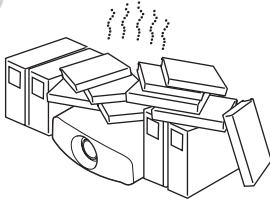
Afin de maintenir les performances et la fiabilité de l'appareil, laisser un dégagement entre les murs et l'appareil tel qu'illustré.



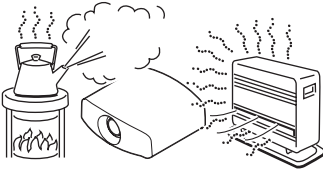
Les flux d'air des climatiseurs ou des orifices de ventilation de cet appareil, ou d'autres, peuvent faire osciller l'écran. Veillez à ne pas installer cet appareil dans un endroit où sa face avant risque d'être soumise aux flux d'air des climatiseurs ou des orifices de ventilation de ces autres appareils.

Mauvaise ventilation

Laisser un dégagement de plus de 30 cm (11 ⁷/₈ pouces) autour de l'appareil.

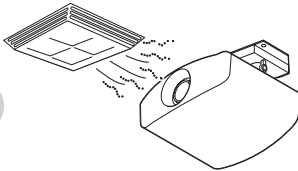


Endroits chauds et humides



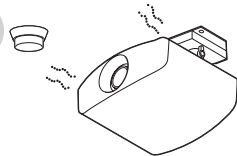
Endroits directement exposés au souffle froid ou chaud d'un climatiseur

L'installation de l'appareil dans de tels endroits pourrait provoquer un dysfonctionnement sous l'effet de la condensation d'humidité ou de l'élévation de température.

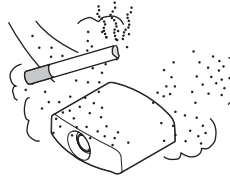


Proximité d'un détecteur de chaleur ou de fumée

Il pourrait en résulter un dysfonctionnement du capteur.



Endroits très poussiéreux ou enfumés



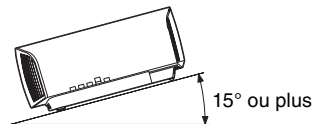
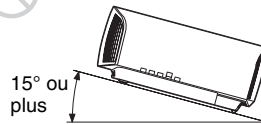
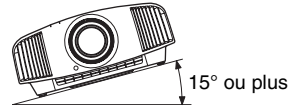
Conditions inappropriées

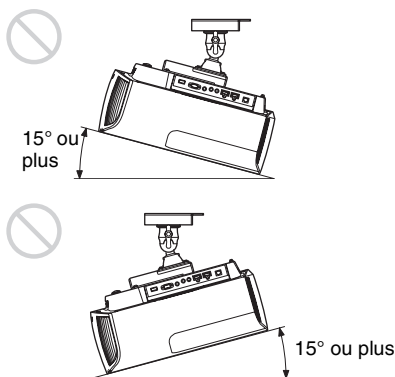
Éviter ce qui suit pendant l'utilisation de l'appareil.

Inclinaison vers l'avant/arrière et vers la gauche/droite


Éviter d'incliner l'appareil à un angle supérieur à 15 degrés pour l'utiliser. Ne pas installer l'appareil ailleurs que sur une surface de niveau ou au plafond. L'installation de l'appareil dans un tel emplacement peut affecter l'uniformité des couleurs ou réduire la fiabilité des effets de la lampe.

Si l'appareil est incliné vers le haut ou le bas, l'image à l'écran peut être trapézoïdale. Positionner l'appareil de façon à ce que l'objectif soit parallèle à l'écran.





Lors de l'installation de l'appareil à haute altitude

Lorsque vous utilisez l'appareil à une altitude de 1 500 m (environ 4 900 pi) ou plus, réglez « Mode haute altit. » dans le menu Réglage  sur « On ». Si vous n'activez pas ce mode lors d'une utilisation à haute altitude, ceci pourra affecter le projecteur (diminution de la fiabilité de certaines pièces, par exemple).

Précautions de sécurité relatives à l'installation de l'appareil au plafond

- N'installez jamais le projecteur au plafond et ne le déplacez jamais par vos propres moyens. Veillez à vous adresser à un technicien Sony agréé (service payant).
- Lorsque vous installez l'appareil au plafond, veillez à utiliser un fil de sécurité, par exemple, pour l'empêcher de tomber. Confiez l'installation à un professionnel ou à un installateur expérimenté.

Pour les revendeurs

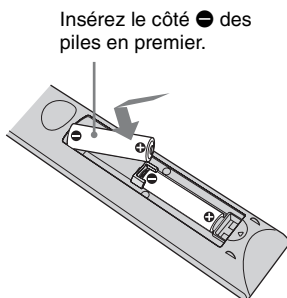
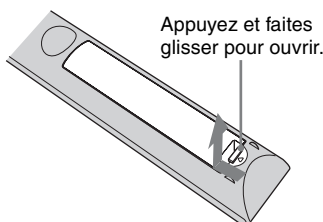
- Quand le projecteur est fixé au plafond, un support Sony ou un support équivalent recommandé doit être utilisé pour l'installation.
- Vous devez fermer le couvercle du cabinet solidement lors de l'installation au plafond.

Vérification des accessoires fournis

Vérifiez si le carton renferme bien tous les éléments suivants :

- Télécommande (1)
VPL-VW570ES : RM-PJ24
VPL-VW270ES : RM-PJ28
- Piles au manganèse AA (R6) (2)
- Capuchon d'objectif (1)
Au moment de l'achat, un capuchon recouvre l'objectif du projecteur. Retirez le capuchon d'objectif avant d'utiliser le projecteur.
- Cordon d'alimentation secteur (1)
- Guide de référence rapide (ce manuel) (1)
- Mode d'emploi (CD-ROM) (1)

Insertion des piles dans la télécommande



Précautions relatives à la manipulation de la télécommande

- Manipulez la télécommande avec précautions. Ne renversez aucun liquide sur la télécommande, ne la laissez pas tomber et ne marchez pas dessus.

- Ne placez pas la télécommande à proximité d'une source de chaleur, dans un endroit exposé aux rayons directs du soleil ou dans une pièce humide.

Utilisation du manuel sur CD-ROM

Vous devez installer Adobe Reader sur votre ordinateur pour pouvoir lire ce manuel. Vous pouvez télécharger Adobe Reader gratuitement depuis le site Web d'Adobe.

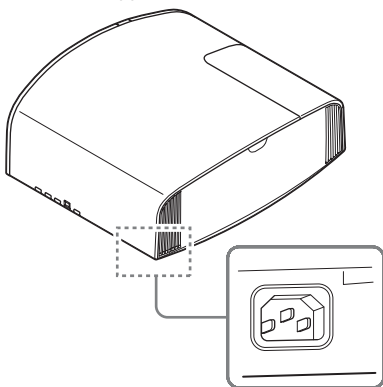
- 1 Ouvrez le fichier index.htm situé sur le CD-ROM.
- 2 Sélectionnez le manuel que vous souhaitez lire, puis cliquez sur ce dernier.

Remarque

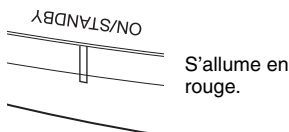
Si vous avez perdu ou endommagé le CD-ROM, vous pouvez acheter un CD-ROM de remplacement auprès de votre représentant Sony ou du service clientèle Sony.

- 1 Positionnez l'appareil de façon à ce que l'objectif soit parallèle à l'écran.
- 2 Après avoir branché le cordon d'alimentation à l'appareil, branchez le cordon d'alimentation secteur à une prise murale.

Arrière de l'appareil



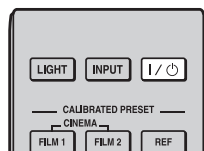
Avant de l'appareil



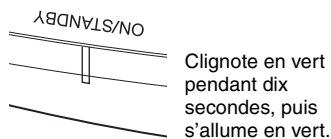
Remarque

Une fois le cordon d'alimentation secteur raccordé à l'unité, l'indicateur ON/STANDBY peut clignoter en orange. Vous ne pourrez peut-être pas commander l'unité pendant que l'indicateur clignote, mais ce n'est pas un dysfonctionnement. Attendez que l'indicateur cesse de clignoter et devienne rouge fixe.

- 3 Appuyez sur le bouton I/O (ON/STANDBY) pour mettre l'appareil sous tension.

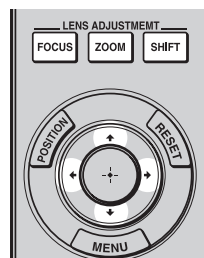


Avant de l'appareil



- 4 Projetez une image sur l'écran, puis réglez la mise au point, la taille et la position.

VPL-VW570ES

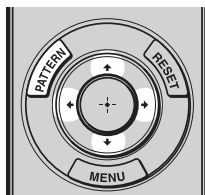


- 1 **Réglez la mise au point.**
Appuyez sur le bouton LENS ADJUSTMENT (FOCUS) pour afficher la fenêtre de réglage Focus d'objectif (mire d'essai). Réglez ensuite la mise au point de l'image en appuyant sur les boutons ↑/↓/←/→.
- 2 **Réglez la taille de l'image.**
Appuyez sur le bouton LENS ADJUSTMENT (ZOOM) pour afficher la fenêtre de réglage Zoom d'objectif (mire d'essai). Réglez ensuite la taille de l'image en appuyant sur les boutons ↑/↓/←/→.

③ Réglez la position de l'image.

Appuyez sur le bouton LENS ADJUSTMENT (SHIFT) pour afficher la fenêtre de réglage Déplac. objectif (mire d'essai). Réglez ensuite la position correcte de l'image en appuyant sur les boutons ↑/↓/←/→.

VPL-VW270ES



① Réglez la mise au point.

Appuyez à plusieurs reprises sur le bouton PATTERN pour afficher la fenêtre de réglage Focus d'objectif (mire d'essai). Réglez ensuite la mise au point de l'image en appuyant sur les boutons ↑/↓/←/→.

② Réglez la taille de l'image.

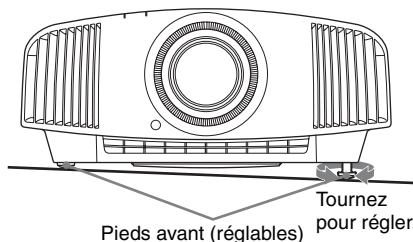
Appuyez à plusieurs reprises sur le bouton PATTERN pour afficher la fenêtre de réglage Zoom d'objectif (mire d'essai). Réglez ensuite la taille de l'image en appuyant sur les boutons ↑/↓/←/→.

③ Réglez la position de l'image.

Appuyez à plusieurs reprises sur le bouton PATTERN pour afficher la fenêtre de réglage Déplac. objectif (mire d'essai). Réglez ensuite la position correcte de l'image en appuyant sur les boutons ↑/↓/←/→.

Pour régler l'inclinaison par rapport à la surface d'installation

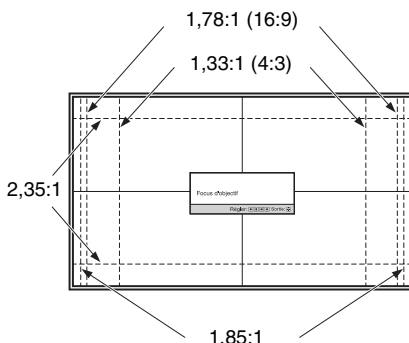
Si vous installez l'appareil sur une surface inégale, utilisez les pieds avant (réglables) pour maintenir l'appareil à l'horizontale.



Remarques

- Si l'appareil est incliné vers le haut ou le bas, l'image projetée peut être trapézoïdale.
- Veillez à ne pas vous coincer les doigts lorsque vous faites pivoter les pieds avant (réglables).

Fenêtre de réglage de l'objectif (mire d'essai)



Les lignes pointillées indiquent les tailles d'écran de chaque rapport de format.

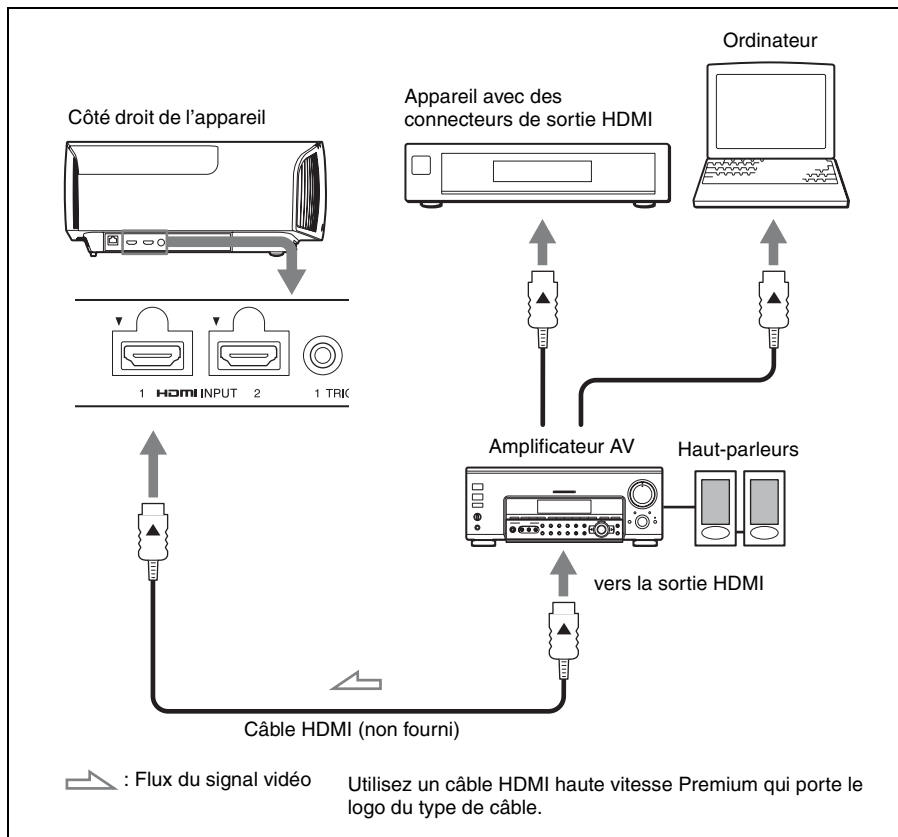
Pour plus d'informations reportez-vous à « Raccordements et préparatifs » dans le Mode d'emploi que vous trouverez sur le CD-ROM fourni.

Etape 3

Raccordement de l'appareil

Lors de l'exécution des raccordements, vous devez procéder comme suit :

- Mettez tous les appareils hors tension avant tout raccordement.
- Utilisez les câbles appropriés pour chaque raccordement.
- Insérez correctement les fiches de câble ; le mauvais raccordement des fiches peut entraîner un dysfonctionnement ou une piètre qualité d'image. Débranchez les câbles en les tenant par leur fiche. Ne tirez pas sur le câble proprement dit.
- Reportez-vous au mode d'emploi de l'appareil à raccorder.



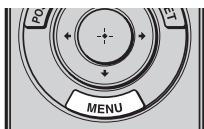
Pour plus d'informations reportez-vous à « Raccordements et préparatifs » dans le Mode d'emploi que vous trouverez sur le CD-ROM fourni.

Etape 4

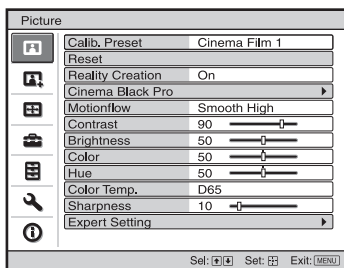
Sélection de la langue du menu


Vous pouvez sélectionner la langue d'affichage du menu et d'autres affichages à l'écran. Le réglage en usine par défaut est l'anglais. Pour changer la langue actuelle du menu, choisissez la langue désirée grâce à l'écran de menu.

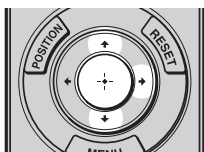
- 1 Appuyer sur MENU.



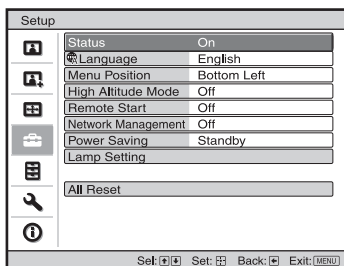
Le menu apparaît.



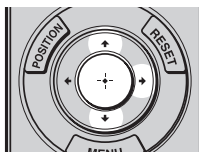
- 2 Appuyer sur \uparrow/\downarrow pour sélectionner le menu Setup , puis appuyer sur \rightarrow ou \odot .



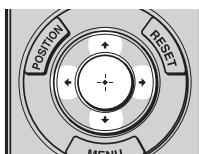
Les options de réglage du menu sélectionné apparaissent.



- 3 Appuyer sur \uparrow/\downarrow pour sélectionner « Language », puis appuyer sur \rightarrow ou \odot .



- 4 Appuyer sur $\uparrow/\downarrow/\leftarrow/\rightarrow$ pour sélectionner une langue, puis appuyer sur \odot .

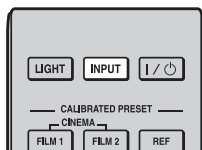


La langue du menu devient celle que vous avez sélectionnée.

- Pour faire disparaître le menu**
Appuyer sur MENU.

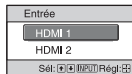
Projection de l'image

- 1 Mettez sous tension cet appareil et l'appareil qui y est raccordé.
- 2 Appuyez sur INPUT pour afficher la palette d'entrée sur l'écran.



- 3 Sélectionnez le périphérique à partir duquel vous voulez afficher les images.

Appuyez plusieurs fois sur INPUT ou sur $\uparrow/\downarrow/\oplus$ (entrée) pour sélectionner le périphérique à utiliser pour la projection.



Exemple : Pour afficher l'image provenant de l'équipement vidéo raccordé au connecteur HDMI 1 de cet appareil.

Mise hors tension

- 1 Appuyez sur le bouton I/⏻ (ON/STANDBY).
Le message « METTRE HORS TENSION? » apparaît sur l'écran.
- 2 Appuyez une nouvelle fois sur le bouton I/⏻ (ON/STANDBY) avant que le message disparaisse.
L'indicateur ON/STANDBY clignote en vert et le ventilateur continue à tourner pour abaisser la température interne.

Le ventilateur s'arrête et l'indicateur ON/STANDBY cesse de clignoter en vert pour briller en rouge.

L'alimentation s'arrête complètement et vous pouvez débrancher le cordon d'alimentation.

Remarque

Ne jamais débrancher le cordon d'alimentation lorsque l'indicateur clignote.

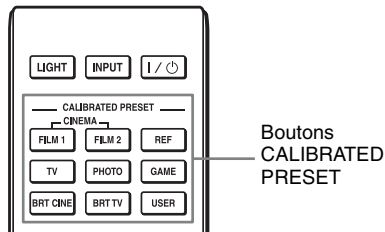
Conseil

Vous pouvez mettre l'appareil hors tension en maintenant le bouton I/⏻ (ON/STANDBY) enfoncé pendant 1 seconde environ, plutôt qu'en suivant les étapes ci-dessus.

Pour plus d'informations reportez-vous à « Projection » dans le Mode d'emploi que vous trouverez sur le CD-ROM fourni.

Sélection du mode d'affichage de l'image

Appuyez sur un des boutons
CALIBRATED PRESET.



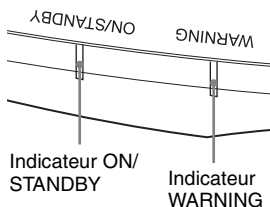
Paramètres	Description
CINEMA FILM 1	Qualité d'image adaptée à la reproduction d'images hautement dynamiques et nettes, typiques d'un chef-d'œuvre du cinéma.
CINEMA FILM 2	Qualité d'image adaptée à la reproduction de tons riches et de couleurs dignes du cinéma, en fonction de Cinéma Film 1.
REF	Configuration de qualité d'image appropriée lorsque vous souhaitez reproduire fidèlement la qualité d'image d'origine ou pour profiter de la qualité d'image sans aucun réglage.
TV	Qualité d'image adéquate pour regarder des programmes TV, du sport, des concerts et d'autres images vidéo.
PHOTO	Idéal pour la projection d'images fixes provenant d'un appareil photo numérique.
GAME	Qualité d'image adaptée aux jeux, avec des couleurs bien modulées et une réponse rapide.
BRT CINE	Qualité d'image adéquate pour regarder les films dans un environnement lumineux, comme un séjour.
BRT TV	Qualité d'image adéquate pour regarder des programmes TV, du sport, des concerts et d'autres images vidéo dans un environnement lumineux, comme un séjour.
USER	Règle la qualité de l'image en fonction de votre goût, puis enregistre le paramètre. Le réglage en usine par défaut est identique à « REF ».

Pour plus d'informations reportez-vous à « Projection » dans le Mode d'emploi que vous trouverez sur le CD-ROM fourni.

Gestion des erreurs

Indicateurs d'avertissement

L'indicateur ON/STANDBY ou WARNING s'allume ou clignote en cas de problème quelconque sur le projecteur.



Clignotement/Éclairage des indicateurs	Le nombre de clignotements	Cause et remède
<p>(Indicateurs en rouge) (Clignote en rouge)</p>	Deux fois	Fermez bien le couvercle de la lampe, puis vissez-le solidement.
	Trois fois	La température de la lampe est anormalement élevée. Mettez hors tension et attendez que la lampe se refroidisse, puis remettez sous tension. Si ce symptôme persiste, la lampe a peut-être atteint la fin de sa durée de service. Dans ce cas, remplacez la lampe par une neuve.
<p>(Clignote en rouge) (Clignote en rouge)</p> <p>Les deux indicateurs clignotent</p>	Deux fois	La température à l'intérieur du projecteur est anormalement élevée. Assurez-vous que rien ne colmate les orifices de ventilation et que l'appareil n'est pas utilisé à haute altitude.
	Trois fois	Le ventilateur est défectueux. Consultez le service après-vente Sony.

Remarque

Si le symptôme persiste même après avoir suivi les méthodes décrites ci-dessus, consultez le service après-vente Sony.

Si l'indicateur se met à clignoter d'une manière qui n'est pas décrite ci-dessus, éteignez et rallumez l'appareil en appuyant sur le bouton I/⏻ (Marche/Veille) de la télécommande ou du panneau de commande de l'appareil.

Si le symptôme s'affiche toujours, consultez le service après-vente Sony personnel.

En cas de problème ou si un message d'erreur apparaît à l'écran, reportez-vous à « Gestion des erreurs » dans le Mode d'emploi que vous trouverez sur le CD-ROM fourni.

La durée de service de la lampe utilisée comme source de lumière est limitée. Lorsque la lampe faiblit, la balance des couleurs de l'image devient bizarre, ou « Remplacer la lampe. » apparaît sur l'écran et la lampe est peut-être épuisée. Remplacez la lampe par une neuve (non fournie) sans tarder.

Conseil

La durée de vie de la lampe utilisée pour la source lumineuse varie selon l'environnement d'installation ou les conditions d'utilisation. Vous pouvez utiliser la lampe plus longtemps en patientant plusieurs minutes avant de l'éteindre, si vous venez juste de l'allumer.

Voici les outils dont vous avez besoin pour commencer :

- Lampe pour projecteur (en option)
VPL-VW570ES : LMP-H280
VPL-VW270ES : LMP-H220
- Un tournevis cruciforme standard
- Un chiffon (pour protéger des éraflures)

Mise en garde

- La lampe reste chaude après la mise hors tension de l'appareil avec le bouton I/⏻ (ON/STANDBY). Ne la touchez pas, car vous pourriez vous brûler les doigts. Avant de remplacer la lampe, attendez au moins 1 heure pour lui permettre de refroidir.
- Ne touchez pas la surface de la lampe. Si vous la touchez, essuyez les empreintes digitales avec un chiffon doux.
- Prêtez une attention spéciale au remplacement de la lampe lorsque l'appareil est installé au plafond.
- Lors du remplacement de la lampe d'un appareil installé au plafond, ne vous tenez pas directement sous le couvercle de la lampe. Lorsque vous retirez le couvercle de la lampe (couvercle intérieur), évitez de le tordre. Si la lampe explose, les fragments peuvent provoquer des blessures.

- Lorsque vous retirez la lampe, assurez-vous qu'elle reste en position horizontale, puis soulevez-la directement vers le haut. N'inclinez pas la lampe. Si vous retirez la lampe alors qu'elle est inclinée et si elle se casse, des morceaux peuvent s'éparpiller et entraîner des blessures.

Remarques


- Veillez à remplacer la lampe par la lampe pour projecteur spécifiée. Si une lampe autre que la lampe pour projecteur spécifiée est utilisée, l'appareil risque de ne pas fonctionner correctement.
- Mettez l'appareil hors tension et débranchez le cordon d'alimentation secteur avant de remplacer la lampe, puis vérifiez que l'indicateur ON/STANDBY a déjà été éteint.

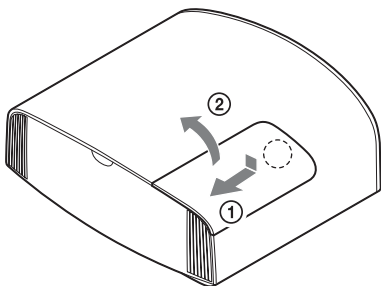
Remplacement de la lampe

- 1 Mettez l'appareil hors tension et débranchez le cordon d'alimentation secteur.
- 2 Lorsque vous disposez l'appareil sur une surface plane comme un bureau, etc., mettez un chiffon sur la surface pour éviter de la rayer. Placez l'appareil sur le chiffon.

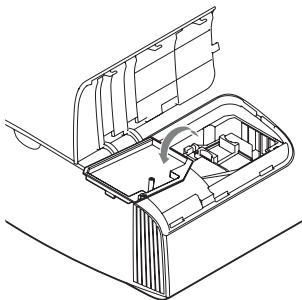
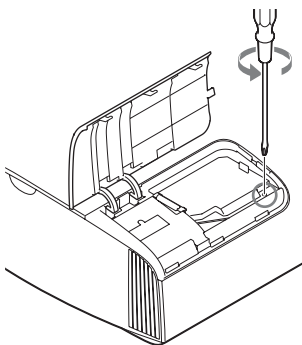
Remarque

Assurez-vous que l'appareil est posé sur une surface stable.

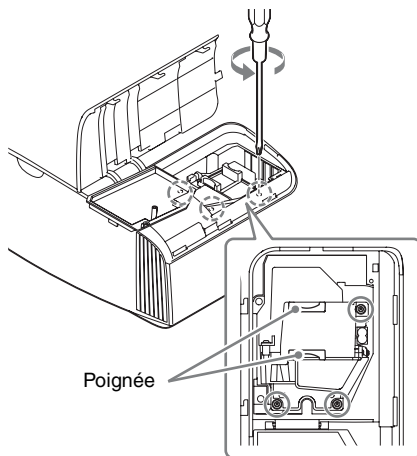
- 3 Tout en appuyant sur la partie  indiquée sur l'illustration du couvercle de la lampe, faites glisser ①, puis ouvrez ② le couvercle de la lampe.



- 4** Desserrez la vis du couvercle de la lampe (couvercle intérieur) avec un tournevis cruciforme, puis ouvrez le couvercle de lampe.



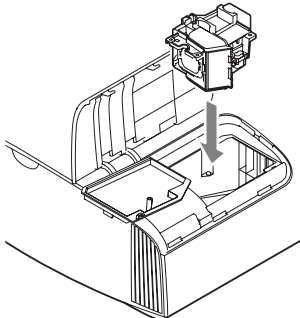
- 5** Dévissez les 3 vis de la lampe à l'aide du tournevis cruciforme. Maintenez la poignée vers le haut et retirez la lampe.



Remarques

- À l'exception des 3 vis spécifiées, ne desserrez aucune autre vis.
- Tenez la lampe par la poignée pour la retirer et la fixer.

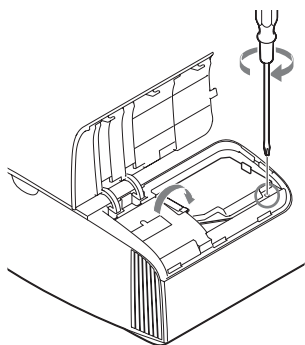
- 6** Insérez fermement et à fond la nouvelle lampe à l'aide de la poignée, puis resserrez les 3 vis.



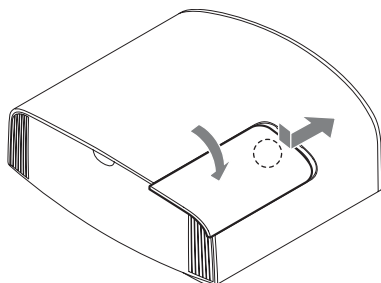
Remarque

Veillez à ne pas toucher le bloc optique à l'intérieur du projecteur.

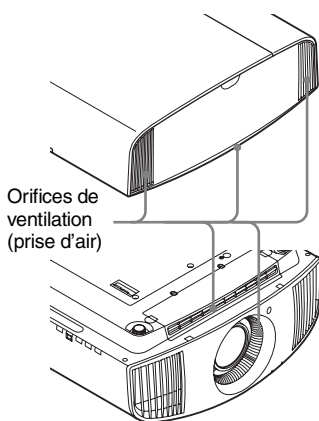
- 7** Fermez le couvercle de la lampe (couvercle intérieur), puis vissez-le.




8 Fermez le couvercle de la lampe.

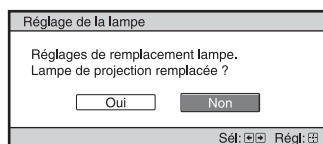


9 Dépoussiérez les orifices de ventilation (prise d'air) à l'aide d'un chiffon.



10 Mettez l'appareil sous tension, puis sélectionnez l'option de réglage de la lampe dans le menu Réglage .

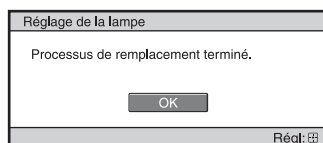
L'écran du menu ci-dessous s'affiche.



Conseil

Si « Verrou réglages » est réglé sur « Niveau B », réglez-le immédiatement sur « Off ».

11 Sélectionnez « Oui ».



Mise en garde

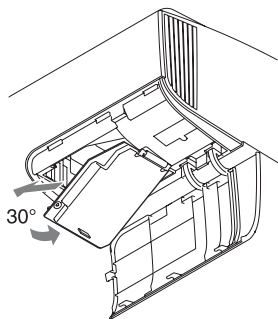
N'introduisez pas les doigts dans la fente de remplacement de la lampe et veillez à ce qu'aucun liquide ou objet ne tombe à l'intérieur de la fente pour éviter tout risque d'électrocution ou d'incendie.

Remarques

- L'appareil ne se mettra sous tension que si la lampe est bien mise en place.
- L'appareil ne se mettra sous tension que si le couvercle de la lampe est bien fermé.
- Pour effacer un message affiché à l'écran, appuyez une fois sur un bouton quelconque de la télécommande ou du panneau de commande de l'appareil.

Remarque concernant le remplacement d'une lampe brisée en cas d'installation au plafond

Si la lampe se brise, les morceaux de lampe risquent de se disperser et de vous blesser. Lorsque l'appareil est fixé au plafond, retirez le couvercle de la lampe (couvercle intérieur) en le faisant lentement glisser horizontalement après l'avoir ouvert en le soulevant de 30 degrés. Éviter de tordre le couvercle de la lampe (couvercle intérieur).

**Remarque**

La lampe contient du mercure. La réglementation en matière de mise au rebut pour les tubes fluorescents dépend de votre lieu de résidence. Respectez la politique d'élimination des déchets de votre région.

Acerca del Manual de referencia rápida

Este Manual de referencia rápida explica la instalación y las operaciones básicas para proyectar imágenes. También presenta notas y precauciones importantes que deben tenerse muy en cuenta al manipular y utilizar esta unidad.

Consulte los “Indicadores de aviso” y “Sustitución de la lámpara”, según corresponda.

Para obtener más información sobre las operaciones, consulte el Manual de instrucciones que se incluye en el CD-ROM suministrado.

Paso 1

Preparación Página 8

Paso 2

Instalación de la unidad Página 9

Paso 3

Conexión de la unidad..... Página 11

Paso 4

**Selección del idioma del menú
..... Página 12**

Paso 5

Proyección Página 13

Gestión de errores

Indicadores de aviso Página 15

Mantenimiento

Sustitución de la lámpara Página 16

Antes de poner en funcionamiento la unidad, lea detenidamente este manual y consérvelo para referencias futuras.

ADVERTENCIA

Para reducir el riesgo de incendio o electrocución, no exponga este aparato a la lluvia ni a la humedad. Para evitar descargas eléctricas, no abra el aparato. Solicite asistencia técnica únicamente a personal especializado.

ADVERTENCIA

Este aparato debe conectarse a tierra.

ADVERTENCIA

Al instalar la unidad, incluya un dispositivo de desconexión fácilmente accesible en el cableado fijo, o conecte el enchufe de alimentación a una toma de corriente fácilmente accesible cerca de la unidad. Si se produce una anomalía durante el funcionamiento de la unidad, accione el dispositivo de desconexión para desactivar la alimentación o desconecte el enchufe de alimentación.

PRECAUCIÓN

Por razones de seguridad, no conecte el conector de los cables de dispositivos periféricos que puedan tener demasiado voltaje en el siguiente puerto:

Conector LAN

ADVERTENCIA

1. Utilice un cable de alimentación (cable de alimentación de 3 hilos)/conector/enchufe del aparato recomendado con toma de tierra y que cumpla con la normativa de seguridad de cada país, si procede.
2. Utilice un cable de alimentación (cable de alimentación de 3 hilos)/conector/enchufe del aparato que cumpla con los valores nominales correspondientes en cuanto a tensión e intensidad.

Si tiene alguna duda sobre el uso del cable de alimentación/conector/enchufe del aparato, consulte a un técnico de servicio cualificado.

PRECAUCIÓN

- Peligro de explosión si se sustituye la batería por una del tipo incorrecto. Reemplace la batería solamente por otra del mismo tipo o de un tipo equivalente recomendado por el fabricante.
- Cuando deseche la batería o el producto, debe cumplir con la legislación de su área o país. No deseche la batería o el producto en el fuego o en un horno caliente, ni la corte o aplaste mecánicamente. Podría explotar o provocar un incendio. No someta a la batería a una presión de aire extremadamente baja ya que podría dar lugar a una explosión o a la fuga de gas o líquido inflamable.
- No coloque la batería en un lugar donde la temperatura sea elevada; por ejemplo, bajo la luz directa del sol o cerca del fuego. Podría prenderse, explotar o provocar un incendio. No sumerja ni humedezca la batería con agua o agua de mar. Podría producirse una descarga eléctrica.

PRECAUCIÓN

Se necesitan los tamaños y el número de pilas siguientes para el mando a distancia.

- Tamaño AA (R6)
- Dos

Para evitar el riesgo de explosión, utilice únicamente el siguiente tipo de pilas.

- Pilas alcalinas o de manganeso de tamaño AA (R6)

Precaución a la hora de sustituir/desechar la batería de las gafas 3D

Peligro de explosión si se sustituye la batería por una del tipo incorrecto. Reemplace la batería solamente por otra del mismo tipo o de un tipo equivalente recomendado por el fabricante.

Cuando deseche la batería, debe cumplir con las leyes de la zona o del país.

Acerca de las gafas 3D

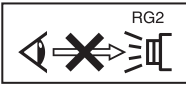
Las gafas 3D se comunican con el proyector a través de la tecnología Bluetooth para mostrar las señales 3D.

a) banda o bandas de frecuencia en las que opera el equipo radioeléctrico:

2.4 - 2.4835 GHz

b) potencia máxima de radiofrecuencia transmitida en la banda o bandas de frecuencia en las que opera el equipo radioeléctrico:

4.30 dBm (E.I.R.P.)



Al igual que con cualquier fuente de luz brillante, no mire fijamente al haz de luz, RG2 IEC 62471-5: 2015.

Por la presente, Sony Corporation declara que este equipo es conforme con la Directiva 2014/53/UE.

El texto completo de la declaración UE de conformidad está disponible en la dirección Internet siguiente:

<http://www.compliance.sony.de/>

Precauciones

Seguridad

- Compruebe que la tensión de funcionamiento de la unidad sea la misma que la del suministro eléctrico local.
- Si se introduce algún objeto sólido o líquido en la unidad, desenchúfela y haga que sea revisada por personal especializado antes de volver a utilizarla.
- Desenchufe la unidad de la toma mural cuando no vaya a utilizarla durante varios días.
- Para desconectar el cable, tire del enchufe. Nunca tire del propio cable.
- La toma mural debe encontrarse cerca de la unidad y ser de fácil acceso.
- La unidad no estará desconectada de la fuente de alimentación de CA mientras esté conectada a la toma mural, aunque haya apagado la unidad.
- No mire al objetivo mientras la lámpara esté encendida.
- No coloque la mano ni ningún objeto cerca de los orificios de ventilación. El aire que sale es caliente.

Prevención del calentamiento interno

Después de apagar la alimentación con el botón I/⏻ (encendido/espera), no desconecte la unidad de la toma mural mientras el ventilador de refrigeración esté en funcionamiento.

Precaución

Esta unidad está equipada con orificios de ventilación de entrada y de salida. No bloquee dichos orificios ni coloque nada cerca de ellos, ya que si lo hace puede producirse un recalentamiento interno, causando el deterioro de la imagen o daños a la unidad.

Embalaje

Guarde la caja y los materiales de embalaje originales, ya que resultarán útiles cuando tenga que embalar la unidad. Para obtener una máxima protección, vuelva a embalar la

unidad como se embaló originalmente en fábrica.

Sobre la visualización de imágenes de vídeo en 3D

Precauciones de seguridad

- Sólo debe utilizar las gafas 3D para ver imágenes de vídeo en 3D.
- Si observa efectos de oscilación o parpadeo, apague la iluminación de la sala.
- No es adecuado para que lo usen los niños sin la supervisión de un adulto.
- Vigile que los dedos no le queden atrapados en la articulación de las gafas 3D al abrir las varillas.
- No deje caer ni modifique estas gafas 3D.
- Si estas gafas se rompieran, aleje las piezas rotas de la boca y de los ojos.

Proiettore LCD

El proyector LCD está fabricado con tecnología de alta precisión. No obstante, es posible que se observen pequeños puntos negros o brillantes (rojos, azules o verdes), o ambos, de forma continua en el proyector. Se trata de un resultado normal del proceso de fabricación y no indica fallo de funcionamiento.

Además, si utiliza varios proyectores LCD para proyectar en una pantalla, es posible que la reproducción de colores no sea igual en todos los proyectores, incluso si son del mismo modelo, ya que el balance de color puede estar configurado de manera distinta.

Acerca de la condensación

Si la temperatura de la habitación en la que se instala el proyector cambia rápidamente, o si el proyector se traslada súbitamente de un lugar muy frío a uno muy cálido, es posible que se produzca condensación en el proyector. La condensación puede provocar errores de funcionamiento, por lo que debe prestarse atención al ajustar la temperatura del aire acondicionado. Si se produce condensación, deje el proyector encendido durante dos horas antes de utilizarlo.

Notas sobre la seguridad

- SONY NO SE HACE RESPONSABLE POR DAÑOS DE NINGÚN TIPO DEBIDOS A LA OMISIÓN DE LAS MEDIDAS DE SEGURIDAD ADECUADAS EN DISPOSITIVOS DE TRANSMISIÓN, FUGAS DE DATOS INEVITABLES DERIVADAS DE LAS ESPECIFICACIONES DE TRANSMISIÓN O PROBLEMAS DE SEGURIDAD DE CUALQUIER TIPO.
- En función del entorno operativo, es posible que terceros no autorizados en la red puedan acceder a la unidad. Al conectar la unidad a la red, confirme siempre que la red está correctamente protegida.
- Desde el punto de vista de la seguridad, al utilizar la unidad conectada a la red, se recomienda encarecidamente acceder a la ventana de control a través de un navegador web y modificar la limitación de acceso de los valores predeterminados de fábrica (consulte “Uso de funciones de red” en el Manual de instrucciones). Asimismo, se recomienda cambiar la contraseña periódicamente.
- No visite otros sitios web con el navegador web mientras ajuste la configuración o justo después. El navegador web recuerda los ajustes de inicio de sesión, por lo que debe cerrarlo al completar la configuración para evitar que terceros no autorizados utilicen la unidad o eviten la instalación de programas maliciosos.

SONY NO SE HACE RESPONSABLE DE DAÑOS DE NINGÚN TIPO DERIVADOS DE LA UTILIZACIÓN DE ESTA UNIDAD CON FINALIDADES DIFERENTES DE UN USO DOMÉSTICO GENERAL, DURANTE EL PERÍODO DE GARANTÍA O UNA VEZ VENCIDO DICHO PERÍODO.

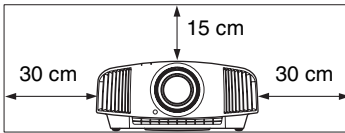
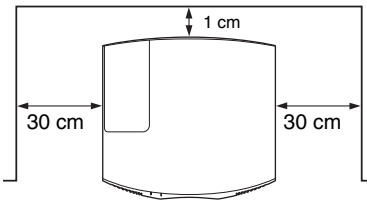
Notas sobre la instalación y el uso

Instalación inadecuada

No ponga la unidad en las siguientes situaciones, en las que puede sufrir daños o averías.

Cerca de paredes

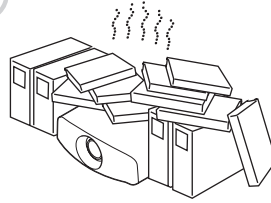
Para conservar el rendimiento y la fiabilidad de la unidad, deje espacio suficiente entre las paredes y la unidad, tal como se ilustra.



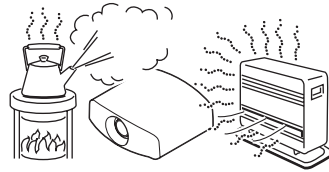
El aire de sistemas de aire acondicionado o de las salidas de ventilación de esta unidad o de otros dispositivos puede provocar oscilaciones en la pantalla. No instale esta unidad en lugares en los que el aire de sistemas de aire acondicionado o de las salidas de ventilación de estos dispositivos pueda alcanzar la parte frontal de esta unidad.

Ubicaciones escasamente ventiladas

Deje un espacio superior a 30 cm alrededor de la unidad.

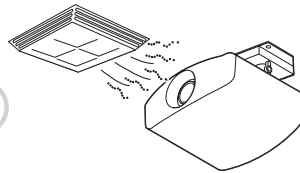


Lugares cálidos y húmedos



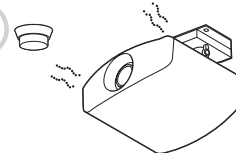
Lugares expuestos a un flujo directo de aire frío o caliente procedente de un aparato de climatización

Si instala la unidad en una ubicación de estas características, la unidad puede averiarse debido a la condensación de humedad o al aumento de temperatura.



Cerca de un sensor de calor o de humo

Puede producirse una avería del sensor.



Lugares con mucho polvo o humo excesivo



Condiciones inadecuadas

No haga lo siguiente mientras usa la unidad.

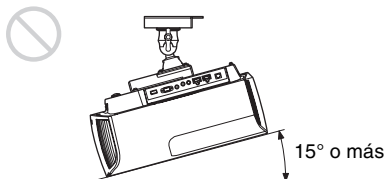
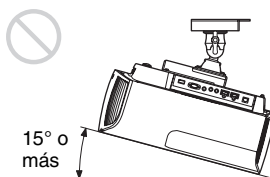
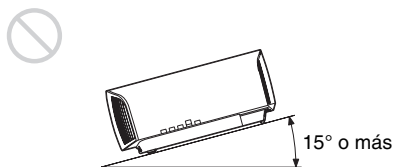
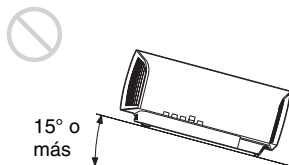
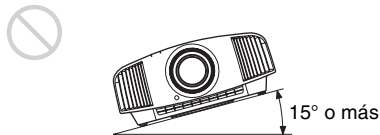
Inclinación adelante/atrás e izquierda/derecha

Evite usar la unidad inclinada con un ángulo de más de 15 grados.


No instale la unidad en un lugar que no sea una superficie horizontal o el techo. La instalación de la unidad en tal ubicación puede provocar irregularidades en la uniformidad del color, o reducir la fiabilidad de los efectos de la lámpara.

Si la unidad está inclinada hacia arriba o hacia abajo, pueden producirse distorsiones trapezoidales en la imagen visualizada en la pantalla.

Coloque la unidad de modo que el objetivo quede paralelo a la pantalla.



Instalación de la unidad a grandes altitudes

Si utiliza la unidad a altitudes de 1.500 m o más, ajuste la opción “Modo gran altitud” del menú Configuración  en “Sí”. Si no se establece este modo cuando se utiliza la unidad a altitudes elevadas pueden producirse efectos adversos, tales como la reducción de la fiabilidad de determinados componentes.

Precauciones de seguridad para instalar la unidad en el techo

- Nunca instale el proyector en el techo ni lo desplace sin ayuda. Pida siempre consejo a un técnico de Sony cualificado (servicio de pago).
- Si instala la unidad en el techo, utilice un cable de seguridad o un sistema similar para evitar que la unidad se desprendan. Confíe siempre la instalación a un proveedor o instalador experimentado.

Para los distribuidores

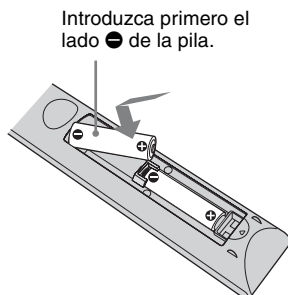
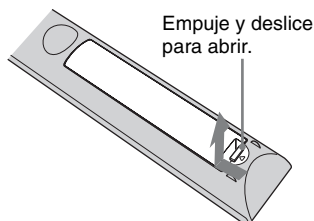
- Si se instala el proyector en el techo, es necesario utilizar un soporte Sony o un soporte equivalente recomendado.
- Cierre firmemente la tapa de la carcasa cuando lo instale en el techo.

Comprobación de los accesorios suministrados

Compruebe que la caja contenga los siguientes elementos:

- Mando a distancia (1)
VPL-VW570ES: RM-PJ24
VPL-VW270ES: RM-PJ28
- Pilas de manganeso de tamaño AA (R6) (2)
- Tapa del objetivo (1)
Cuando se adquiere el proyector, el objetivo incluye una tapa. Quite la tapa del objetivo antes de utilizar el proyector.
- Cable de alimentación de CA (1)
- Manual de referencia rápida (este manual) (1)
- Manual de instrucciones (CD-ROM) (1)

Introducción de las pilas en el mando a distancia



Precauciones para la manipulación del mando a distancia

- Manipule con cuidado el mando a distancia. No lo deje caer, ni lo pise, ni derrame ningún líquido sobre él.

- No ponga el mando a distancia cerca de fuentes de calor, bajo la luz directa del sol ni en lugares húmedos.

Utilización del manual en CD-ROM

El manual puede leerse en un ordenador con Adobe Reader instalado.

Puede descargar la aplicación Adobe Reader de forma gratuita desde el sitio web de Adobe.

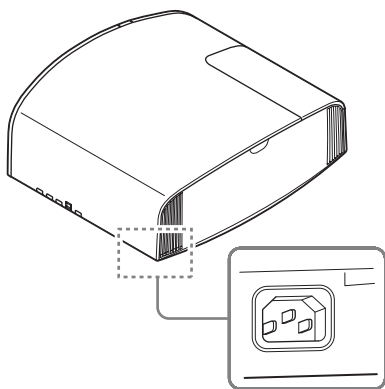
- 1 Abra el archivo index.htm en el CD-ROM.
- 2 Seleccione y haga clic en el manual que desee leer.

Nota

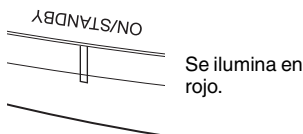
Si ha perdido el CD-ROM o se le ha estropeado, podrá adquirir uno de sustitución en su distribuidor Sony o en un punto de asistencia Sony.

- 1 Coloque la unidad de modo que el objetivo quede paralelo a la pantalla.
- 2 Después de conectar el cable de CA a la unidad, enchufe el cable de CA en una toma mural.

Posterior de la unidad



Parte frontal de la unidad

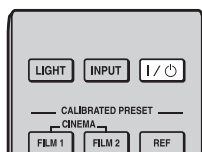


Se ilumina en rojo.

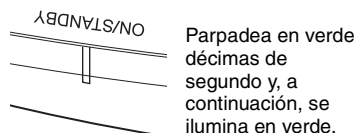
Nota

Una vez conectado el cable de alimentación de CA a la unidad, el indicador ON/STANDBY podrá comenzar a parpadear en naranja. No se preocupe si no puede controlar el indicador cuando se encuentra parpadear, no se trata de ninguna avería. Espere hasta que deje de parpadear y se ilumine en rojo.

- 3 Pulse el botón I/⏻ (ON/STANDBY) para encender la unidad.



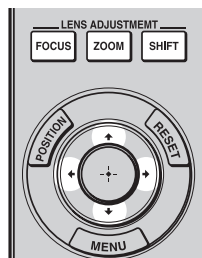
Parte frontal de la unidad



Parpadea en verde décimas de segundo y, a continuación, se ilumina en verde.

- 4 Proyecte una imagen en la pantalla y, a continuación, ajuste el enfoque, el tamaño y la posición.

VPL-VW570ES



1 Ajuste el foco.

Pulse el botón LENS ADJUSTMENT (FOCUS) para acceder a la ventana de ajuste de Foco de objetivo (patrón de prueba). A continuación, ajuste el enfoque de la imagen pulsando los botones $\uparrow/\downarrow/\leftarrow/\rightarrow$.

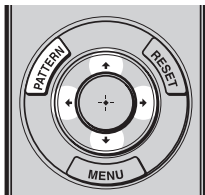
2 Ajuste el tamaño de la imagen.

Pulse el botón LENS ADJUSTMENT (ZOOM) para acceder a la ventana de ajuste de Zoom de objetivo (patrón de prueba). A continuación, ajuste el tamaño de la imagen pulsando los botones $\uparrow/\downarrow/\leftarrow/\rightarrow$.

③ Ajuste la posición de la imagen.

Pulse el botón LENS ADJUSTMENT (SHIFT) para acceder a la ventana de ajuste de Despl. Objetivo (patrón de prueba). A continuación, ajuste la posición adecuada de la imagen pulsando los botones ↑/↓/←/→.

VPL-VW270ES



① Ajuste el foco.

Pulse el botón PATTERN varias veces para acceder a la ventana de ajuste Foco de objetivo (patrón de prueba). A continuación, ajuste el enfoque de la imagen pulsando los botones ↑/↓/←/→.

② Ajuste el tamaño de la imagen.

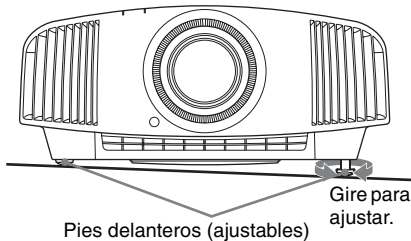
Pulse el botón PATTERN varias veces para acceder a la ventana de ajuste Zoom de objetivo (patrón de prueba). A continuación, ajuste el tamaño de la imagen pulsando los botones ↑/↓/←/→.

③ Ajuste la posición de la imagen.

Pulse el botón PATTERN varias veces para acceder a la ventana de ajuste Despl. Objetivo (patrón de prueba). A continuación, ajuste la posición adecuada de la imagen pulsando los botones ↑/↓/←/→.

Para ajustar la inclinación de la superficie de instalación

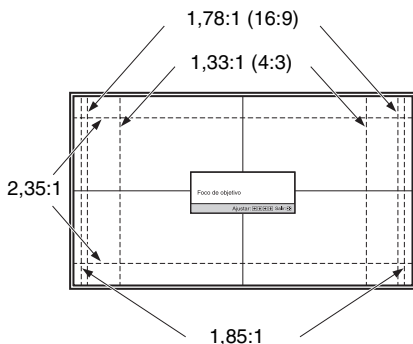
Si instala la unidad en una superficie irregular, utilice los pies delanteros (ajustables) para mantener la unidad nivelada.



Notas

- Si la unidad está inclinada hacia arriba o hacia abajo, pueden producirse distorsiones trapecoidales en la imagen proyectada.
- Tenga cuidado de no atraparse los dedos cuando gire los pies delanteros (ajustables).

Ventana de ajuste del objetivo (patrón de prueba)

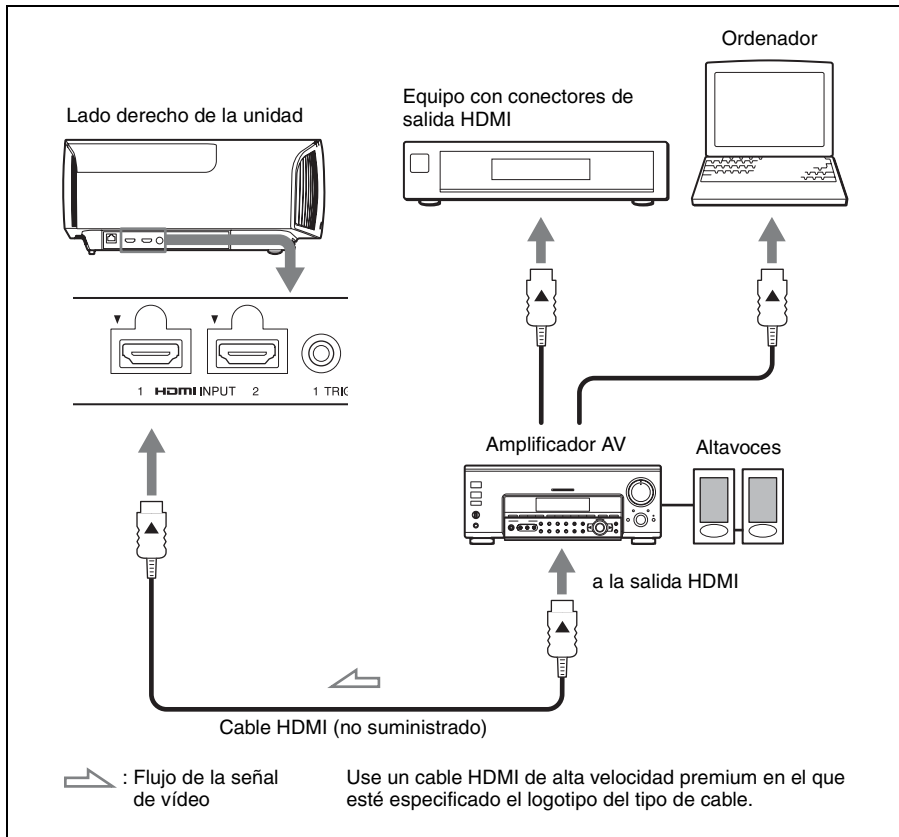


Las líneas de puntos indican los tamaños de pantalla de cada relación de aspecto.

Para obtener más información, consulte "Conexiones y preparativos" en el Manual de instrucciones que contiene el CD-ROM suministrado.

Cuando haga las conexiones, asegúrese de hacer lo siguiente:

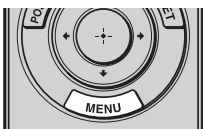
- Apague todos los equipos antes de realizar cualquier conexión.
- Utilice los cables apropiados para cada conexión.
- Introduzca los enchufes de los cables correctamente; una mala conexión de las clavijas puede provocar una avería o una mala calidad de imagen. Cuando desconecte un cable, asegúrese de tirar del enchufe, no del cable.
- Consulte las instrucciones de funcionamiento del equipo conectado.



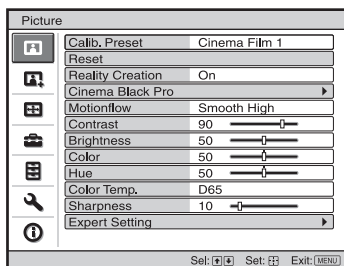
Para obtener más información, consulte "Conexiones y preparativos" en el Manual de instrucciones que contiene el CD-ROM suministrado.

Es posible seleccionar el idioma para el menú y demás indicaciones en pantalla. La configuración predeterminada de fábrica es el idioma inglés. Para cambiar el idioma del menú actual, establezca el idioma que desee con la pantalla de menús.

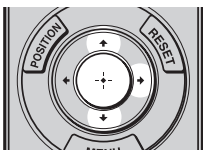
1 Pulse MENU.



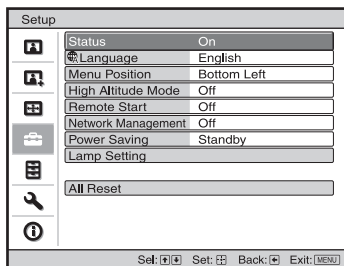
Aparecerá el menú.



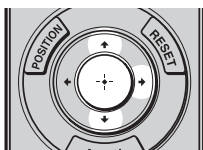
2 Pulse ↑/↓ para seleccionar el menú Setup y pulse → o ⏸.



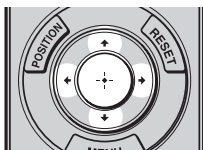
Aparecerán los elementos de configuración del menú seleccionado.



3 Pulse ↑/↓ para seleccionar “Language” y pulse → o ⏸.



4 Pulse ↑/↓/←/→ para seleccionar un idioma y, a continuación, pulse ⏸.

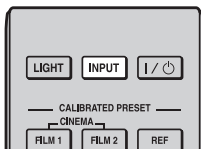


El menú aparecerá en el idioma seleccionado.

Para que el menú desaparezca
Pulse MENU.

Proyección de la imagen

- 1 Encienda la unidad y el equipo conectado a la unidad.
- 2 Pulse INPUT para visualizar la paleta de entrada en la pantalla.



- 3 Seleccione el equipo desde el que desea visualizar las imágenes.
Pulse INPUT repetidamente o pulse **↑/↓/⊕/⊖** (entrar) para seleccionar el equipo desde el que desea realizar la proyección.



Ejemplo: para ver la imagen del equipo de vídeo conectado al conector HDMI 1 de esta unidad.

Apagado de la alimentación

- 1 Pulse el botón I/⏻ (ON/STANDBY).
En la pantalla aparece el mensaje "DESACTIVAR?".
- 2 Pulse de nuevo el botón I/⏻ (ON/STANDBY) antes de que desaparezca el mensaje.
El indicador ON/STANDBY parpadeará en verde y el ventilador seguirá funcionando para reducir el calentamiento interno.

El ventilador se detiene y el indicador ON/STANDBY deja de parpadear en verde y se ilumina en rojo fijo.

Una vez apagado el equipo por completo, puede desconectar el cable de alimentación.

Nota

No desconecte nunca el cable de alimentación mientras el indicador esté parpadeando.

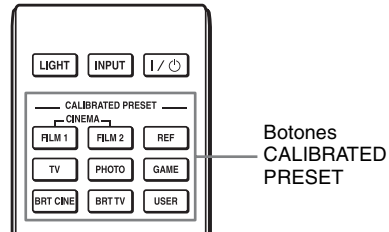
Sugerencia

Puede apagar la unidad manteniendo pulsado el botón I/⏻ (ON/STANDBY) aproximadamente durante 1 segundo, en lugar de realizar los pasos anteriormente descritos.

Para obtener más información, consulte "Proyección" en el Manual de instrucciones que contiene el CD-ROM suministrado.

Selección del modo de visualización de la imagen

Pulse uno de los botones CALIBRATED PRESET.



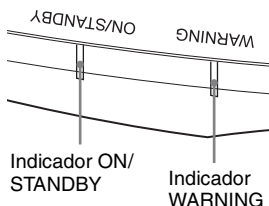
Elementos de configuración	Descripción
CINEMA FILM 1	Calidad de imagen adecuada para reproducir imágenes con gran dinamismo y claridad; calidad habitual del positivo de película.
CINEMA FILM 2	Calidad de imagen adecuada para reproducir los colores densos y de gran tonalidad habituales de las salas de cine, basada en Cine Film 1.
REF	Una configuración de calidad de imagen adecuada para reproducir de forma fiel la calidad original de la imagen, o para disfrutar de buena calidad de imagen sin tener que realizar ningún ajuste.
TV	Calidad de imagen adecuada para ver programas de televisión, deportes, conciertos y otras imágenes en vídeo.
PHOTO	Calidad de imagen adecuada para proyectar imágenes fijas tomadas con una cámara digital.
GAME	Calidad de imagen adecuada para juegos; colores de alta modulación y respuesta rápida.
BRT CINE	Calidad de imagen adecuada para ver películas en entornos luminosos, como el salón.
BRT TV	Calidad de imagen adecuada para ver programas de televisión, conciertos, deportes y otras imágenes de vídeo en un entorno luminoso, como el salón.
USER	Ajusta la calidad de la imagen para adaptarse a sus necesidades y, a continuación, guarda el ajuste. El ajuste predeterminado de fábrica es el mismo que en "REF".

Para obtener más información, consulte "Proyección" en el Manual de instrucciones que contiene el CD-ROM suministrado.

Gestión de errores

Indicadores de aviso

El indicador ON/STANDBY o WARNING se enciende o parpadea si el proyector tiene algún problema.



Indicadores de iluminación/ parpadeo	El número de parpadeos	Causa y solución
<p>(Se ilumina en rojo) (Parpadea en rojo)</p>	Dos veces	Cierre firmemente la cubierta de la lámpara y, a continuación, apriete los tornillos.
	Tres veces	La temperatura de la lámpara es inusualmente alta. Apague la unidad y espere a que se enfríe la lámpara; a continuación, vuelva a encender la unidad. Si el síntoma no desaparece, es posible que la lámpara haya llegado al final de su vida útil. Si es así, sustituya la lámpara por una nueva.
<p>(Parpadea en rojo) (Parpadea en rojo)</p> <p>Ambos indicadores parpadean</p>	Dos veces	La temperatura interna es anormalmente alta. Compruebe que no haya nada bloqueando los orificios de ventilación y si la unidad se está utilizando a altitudes elevadas.
	Tres veces	El ventilador está averiado. Consulte con personal especializado de Sony.

Nota

Si los síntomas persisten, incluso después de emplear los métodos mencionados, consulte con personal cualificado de Sony.

Si el indicador empieza a parpadear de una forma diferente a la indicada, desconecte y después conecte la alimentación con el botón (encendido/en espera) del control remoto o del panel de control de la unidad.

Si el síntoma vuelve a aparecer, consulte con personal cualificado de Sony.

Si se produce algún problema o aparece un mensaje de error en la pantalla, consulte "Gestión de errores" en el Manual de instrucciones que incluye el CD-ROM suministrado.

Mantenimiento

La lámpara que se utiliza como fuente de luz tiene una determinada vida útil. Cuando la luz de la lámpara pierde intensidad, el balance de color de la imagen se vuelve extraño, o aparece el mensaje “Por favor cambie la lámpara.”, es posible que la lámpara esté agotada. Sustituya inmediatamente la lámpara por una nueva (no suministrada).

Sugerencia

La vida útil de la lámpara utilizada como fuente de luz cambia en función del entorno de instalación o las condiciones de uso. Puede utilizar la lámpara durante más tiempo si evita apagarla hasta que transcurran unos minutos después de encenderla.

Herramientas que necesita para empezar:

- Lámpara de proyector (opcional)
VPL-VW570ES: LMP-H280
VPL-VW270ES: LMP-H220
- Destornillador Phillips estándar
- Paño (como protección contra arañazos)

Precaución

- La lámpara continúa estando caliente después de haber apagado la unidad con el botón I/⏻ (ON/STANDBY). Si toca la lámpara, puede quemarse los dedos. Antes de sustituir la lámpara, espere al menos 1 hora hasta que se enfríe.
- No toque la superficie de la lámpara. Si la toca, limpie las huellas con un paño suave.
- Ponga especial cuidado al reemplazar la lámpara cuando la unidad esté instalada en el techo.
- Si cambia la lámpara de una unidad instalada en el techo, no se coloque directamente debajo de la cubierta de la lámpara. Cuando quite la trampa de la lámpara (tapa interior), evite doblarla. Si la lámpara explota, los fragmentos podrían herirle.
- Al retirar la unidad de la lámpara, asegúrese de que se encuentra en posición horizontal y tire hacia arriba. No incline la unidad de la lámpara. Si tira hacia fuera de la unidad de la lámpara mientras se encuentra inclinada y la lámpara se rompe,

los fragmentos pueden dispersarse y provocar lesiones.

Notas

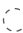
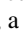

- Asegúrese de sustituir la lámpara de proyector por el modelo especificado. Si utiliza lámparas distintas de la lámpara de proyector especificada, podría producirse una avería en la unidad.
- No olvide apagar la unidad y desenchufar el cable de alimentación antes de sustituir la lámpara; a continuación, compruebe que el indicador ON/STANDBY está apagado.

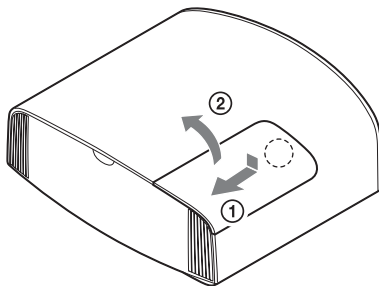
Sustitución de la lámpara

- 1 Apague la unidad y desenchufe el cable de alimentación de CA.
- 2 Cuando coloque la unidad sobre una superficie plana tal como una mesa de escritorio, etc., coloque un paño para evitar rayar la superficie. Coloque la unidad sobre el paño.

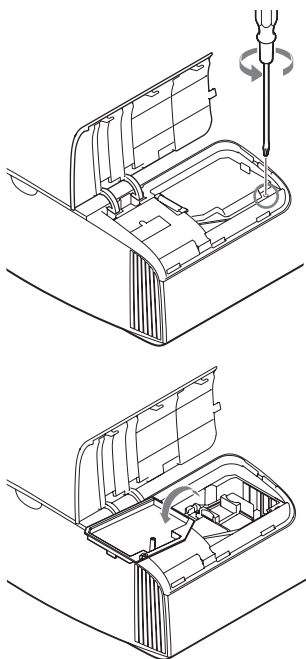
Nota

Asegúrese de que la unidad se encuentra en una superficie estable.

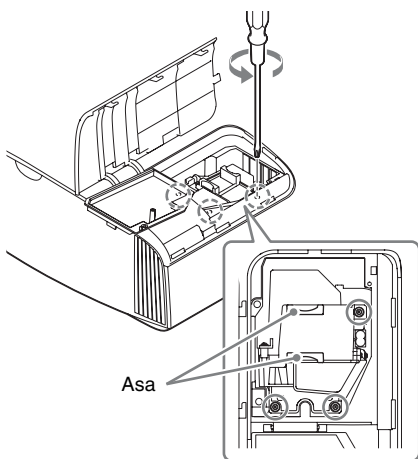
- 3 Mientras presiona la parte  indicada en la ilustración de la cubierta de la lámpara, deslice  y, a continuación, abra la cubierta de la lámpara .



- 4** Afloje el tornillo de la trampilla de la lámpara (tapa interior) con un destornillador de estrella y abra la trampilla.



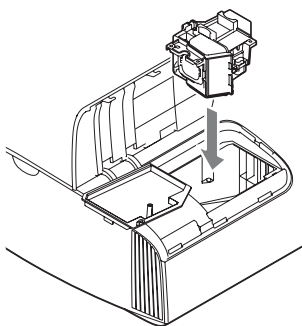
- 5** Afloje los 3 tornillos de la unidad de la lámpara con el destornillador de estrella. Levante el asa y, a continuación, tire de la lámpara para extraerla.



Notas

- No afloje los demás tornillos; afloje solo los 3 tornillos especificados.
- Sujete la lámpara por el asa para extraerla y colocarla.

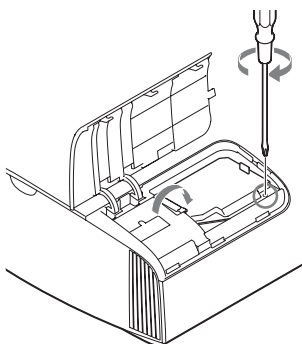
- 6** Sujete la nueva lámpara por el asa con firmeza y presione hasta que llegue al fondo. Seguidamente, apriete los 3 tornillos.



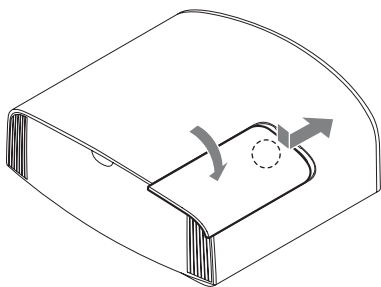
Nota

Tenga cuidado de no tocar el bloque óptico del interior de la unidad.

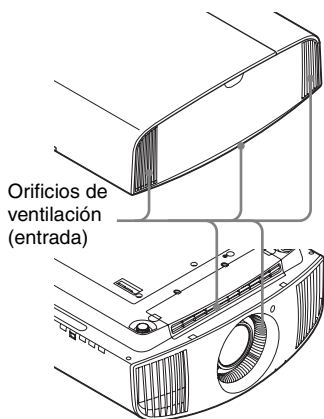
- 7** Cierre la trampilla de la lámpara (tapa interior) y, a continuación, apriete el tornillo.



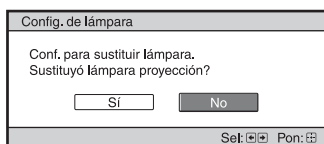
8 Cierre la cubierta de la lámpara.



9 Limpie el polvo de los orificios de ventilación (entrada) con un paño suave.



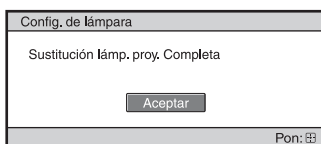
10 Encienda la unidad y, a continuación, seleccione el elemento de configuración de la lámpara en el menú Configuración . Se mostrará la pantalla de menú siguiente.



Sugerencia

Si “Bloqueo ajustes” está establecido en “Nivel B”, establezca “No” una vez.

11 Seleccione “Sí”.



Precaución

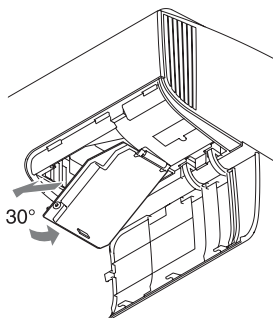
Para evitar descargas eléctricas o incendios, no introduzca las manos en el compartimento de sustitución de la lámpara, ni permita que se introduzcan líquidos ni ningún otro objeto.

Notas

- La unidad no se encenderá si la lámpara no está bien instalada.
- La unidad no se encenderá si la cubierta de la lámpara no está bien cerrada.
- Para borrar un mensaje que aparezca en la pantalla, pulse una vez cualquier botón del mando a distancia o del panel de control de la unidad.

Nota sobre la sustitución de la lámpara si se rompe, en caso de instalación en el techo

Si la lámpara se rompe, los fragmentos rotos podrían salir disparados y provocar heridas. Si la unidad está instalada en el techo, quite la trampilla de la lámpara (tapa interior) deslizándola en horizontal y levantando suavemente cuando esté abierta a 30 grados. Evite doblar la trampilla de la lámpara (tapa interior).



Nota

Esta lámpara contiene mercurio. Las reglas para desechar tubos fluorescentes usados dependen de dónde viva. Siga la normativa de desecho de residuos de su zona.

Informationen zur Kurzreferenz

Diese Kurzreferenz beschreibt die Installation und die grundlegenden Bedienungsvorgänge zum Projizieren von Bildern. Es werden auch wichtige Hinweise und Vorsichtsmaßnahmen erläutert, die Sie bei Handhabung und Gebrauch dieses Geräts beachten müssen. Schlagen Sie bei Bedarf unter „Warnanzeigen“ und „Austauschen der Lampe“ nach. Einzelheiten zu den Bedienungsvorgängen finden Sie in der Bedienungsanleitung auf der mitgelieferten CD-ROM.

Schritt 1

Vorbereitung.....Seite 9

Schritt 2

Installieren des GerätsSeite 10

Schritt 3

Anschließen des GerätsSeite 12

Schritt 4

Wählen der MenüspracheSeite 13

Schritt 5

ProjizierenSeite 14

Störungsbehebung **WarnanzeigenSeite 16**

Wartung **Austauschen der Lampe.....Seite 17**

Bitte lesen Sie dieses Handbuch vor der Benutzung des Geräts sorgfältig durch und bewahren Sie es zum späteren Nachschlagen auf.

WARNUNG

Um die Gefahr von Bränden oder elektrischen Schlägen zu verringern, darf dieses Gerät nicht Regen oder Feuchtigkeit ausgesetzt werden. Um einen elektrischen Schlag zu vermeiden, darf das Gehäuse nicht geöffnet werden. Überlassen Sie Wartungsarbeiten stets nur qualifiziertem Fachpersonal.

WARNUNG

Dieses Gerät muss geerdet werden.

WARNUNG

Beim Einbau des Geräts ist daher im Festkabel ein leicht zugänglicher Unterbrecher einzufügen, oder der Netzstecker muss mit einer in der Nähe des Geräts befindlichen, leicht zugänglichen Wandsteckdose verbunden werden. Wenn während des Betriebs eine Funktionsstörung auftritt, ist der Unterbrecher zu betätigen bzw. der Netzstecker abzuziehen, damit die Stromversorgung zum Gerät unterbrochen wird.

VORSICHT

Aus Sicherheitsgründen nicht mit einem Peripheriegerät-Anschluss verbinden, der zu starke Spannung für die nachstehende Buchse haben könnte:
LAN-Anschluss

WARNUNG

1. Verwenden Sie ein geprüftes Netzkabel (3-adriges Stromkabel)/einen geprüften Geräteanschluss/einen geprüften Stecker mit Schutzkontakten entsprechend den Sicherheitsvorschriften, die im betreffenden Land gelten.
2. Verwenden Sie ein Netzkabel (3-adriges Stromkabel)/einen Geräteanschluss/einen Stecker mit den geeigneten Anschlusswerten (Volt, Ampere).

Wenn Sie Fragen zur Verwendung von Netzkabel/Geräteanschluss/Stecker haben, wenden Sie sich bitte an qualifiziertes Kundendienstpersonal.

VORSICHT

- Explosionsgefahr bei Verwendung falscher Batterien. Batterien nur durch den vom Hersteller empfohlenen oder einen gleichwertigen Typ ersetzen.
- Beachten Sie beim der Entsorgung des Akkus oder des Geräts die örtlichen Vorschriften. Entsorgen Sie den Akku oder das Gerät nicht durch Verbrennen. Erhitzen Sie den Akku nicht, und beschädigen Sie ihn nicht. Andernfalls besteht Explosions- und Brandgefahr. Setzen Sie den Akku keinem extrem niedrigen Luftdruck aus, der zu einer Explosion oder dem Austreten brennbarer Flüssigkeiten oder Gase führen könnte.
- Setzen Sie den Akku keinen hohen Temperaturen aus wie etwa in direkter Sonneneinstrahlung oder in der Nähe von Wärmequellen. Er kann sich entzünden, explodieren oder einen Brand verursachen. Halten Sie den Akku fern von Wasser und Salzwasser. Andernfalls besteht Stromschlaggefahr.

VORSICHT

Batterien der folgenden Größe und in folgender Anzahl sind für die Fernbedienung erforderlich:

- Größe AA (R6)
- Zwei

Verwenden Sie nur den folgenden Batterietyp, da andernfalls Explosionsgefahr besteht:

- Mangan- oder Alkalibatterien der Größe AA (R6)

Vorsicht beim Austauschen/ Entsorgen der Batterie der 3D-Brille

Explosionsgefahr bei Verwendung falscher Batterien. Batterien nur durch den vom Hersteller empfohlenen oder einen gleichwertigen Typ ersetzen. Wenn Sie die Batterie entsorgen, müssen Sie die Gesetze der jeweiligen Region und des jeweiligen Landes befolgen.

Informationen zur 3D-Brille

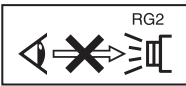
Die 3D-Brille kommuniziert zum Anzeigen von 3D-Signalen über Bluetooth-Technologie mit dem Projektor.

a) das Frequenzband oder die Frequenzbänder, in dem bzw. denen die Funkanlage betrieben wird:

2.4 - 2.4835 GHz

b) die in dem Frequenzband oder den Frequenzbändern, in dem bzw. denen die Funkanlage betrieben wird, abgestrahlte maximale Sendeleistung:

4.30 dBm (E.I.R.P.)



Schauen Sie wie bei jeder hellen Lichtquelle nicht in den Strahl, siehe RG2 IEC 62471-5:2015.

Hiermit erklärt Sony Corporation, dass diese Funkanlage der Richtlinie 2014/53/EU entspricht.

Der vollständige Text der EU-Konformitätserklärung ist unter der folgenden Internetadresse verfügbar:
<http://www.compliance.sony.de/>

Vorsichtsmaßnahmen

Info zur Sicherheit

- Vergewissern Sie sich, dass die Betriebsspannung Ihres Gerätes mit der Spannung Ihrer örtlichen Stromversorgung übereinstimmt.
- Sollten Flüssigkeiten oder Fremdkörper in das Gehäuse gelangen, ziehen Sie das Netzkabel ab, und lassen Sie das Gerät von qualifiziertem Fachpersonal überprüfen, bevor Sie es wieder benutzen.
- Soll das Gerät einige Tage lang nicht benutzt werden, trennen Sie es von der Netzsteckdose.
- Ziehen Sie zum Trennen des Kabels am Stecker. Niemals am Kabel selbst ziehen.
- Die Netzsteckdose sollte sich in der Nähe des Gerätes befinden und leicht zugänglich sein.
- Das Gerät ist auch im ausgeschalteten Zustand nicht vollständig vom Stromnetz getrennt, solange der Netzstecker noch an der Netzsteckdose angeschlossen ist.
- Blicken Sie bei eingeschalteter Lampe nicht in das Objektiv.
- Halten Sie Ihre Hände oder Gegenstände von den Lüftungsöffnungen fern. Die austretende Luft ist heiß.

Info zur Verhütung eines internen Wärmestaus

Nachdem Sie den Projektor mit der Taste I/⏻ (Ein/Bereitschaft) ausgeschaltet haben, trennen Sie ihn nicht von der Netzsteckdose, solange der Lüfter noch läuft.

Vorsicht

Dieses Gerät ist mit Lüftungsöffnungen (Einlass und Auslass) ausgestattet. Der Luftstrom durch diese Öffnungen darf nicht blockiert oder durch in der Nähe abgestellte Gegenstände behindert werden, weil es sonst zu einem internen Wärmestau kommen kann, der eine Verschlechterung der Bildqualität oder Beschädigung des Geräts zur Folge haben kann.

Info zur Wiederverpackung

Bewahren Sie den Originalkarton und das Verpackungsmaterial gut auf für den Fall, dass Sie das Gerät später einmal transportieren müssen. Am besten geschützt ist das Gerät beim Transport, wenn Sie es wieder so verpacken, wie es geliefert wurde.

Hinweis zum Betrachten von 3D-Videobildern

Sicherheitshinweise

- Verwenden Sie die 3D-Brille ausschließlich zum Betrachten von 3D-Videobildern.
- Wenn Sie Flimmern oder Flackern bemerken, schalten Sie die Raumbelichtung aus.
- Nicht geeignet für Kinder ohne angemessene Aufsicht durch Erwachsene.
- Achten Sie darauf, sich nicht die Finger in den Scharnieren der 3D-Brille einzuklemmen, wenn Sie die Brillenbügel einklappen.
- Lassen Sie die 3D-Brille nicht fallen und nehmen Sie keine Veränderungen daran vor.
- Wenn ein Brillenglas springt, achten Sie darauf, sich durch die Bruchstücke keine Verletzungen an Mund oder Augen zuzuziehen.

Info zum LCD-Projektor

Der LCD-Projektor wurde unter Einsatz von Präzisionstechnologie hergestellt. Es kann jedoch sein, dass im Projektionsbild des LCD-Projektors ständig winzige schwarze und/oder helle Punkte (rote, blaue oder grüne) enthalten sind. Dies ist ein normales Ergebnis des Herstellungsprozesses und ist kein Anzeichen für eine Funktionsstörung. Wenn Sie mehrere LCD-Projektoren für die Projektion auf einer Leinwand verwenden, kann außerdem selbst bei identischen Modellen die Farbwiedergabe bei den verschiedenen Projektoren variieren, da für jeden Projektor eigene Einstellungen der Farbbalance vorgenommen werden können.

Hinweis zur Kondensation

Wenn sich die Temperatur in dem Raum, in dem der Projektor aufgestellt ist, schnell ändert oder wenn der Projektor plötzlich von einem kalten an einen warmen Ort gebracht wird, kann es im Inneren des Projektors zu einer Kondensation kommen. Da die Kondensation zu einer Fehlfunktion führen kann, sollten Sie bei den Temperatureinstellungen einer Klimaanlage vorsichtig sein.

Lassen Sie den Projektor vor der Verwendung ungefähr zwei Stunden eingeschaltet, wenn es zu einer Kondensation gekommen ist.

Hinweise zur Sicherheit

- **SONY KANN KEINE HAFTUNG FÜR SCHÄDEN JEDER ART DURCH UNTERLASSENE GEEIGNETE SICHERHEITSMASSNAHMEN AN ÜBERTRAGUNGSGERÄTEN, DURCH UNVERMEIDBARE DATENPREISGABE AUFGRUND DER ÜBERTRAGUNGSSPEZIFIKATIONEN ODER DURCH SICHERHEITSPROBLEME JEGLICHER ART ÜBERNEHMEN.**
- Je nach Betriebsumgebung können unbefugte Dritte im Netzwerk unter Umständen auf dieses Gerät zugreifen. Achten Sie beim Verbinden des Geräts mit dem Netzwerk darauf, dass das Netzwerk gut abgesichert ist.
- Vom Sicherheitsstandpunkt sollten Sie unbedingt über einen Webbrowser auf das Steuerfenster zugreifen und die werkseitig eingestellten Werte für die Zugriffseinschränkung ändern, wenn das Gerät mit dem Netzwerk verbunden ist (siehe „Die Netzwerkfunktionen“ in der Bedienungsanleitung). Es wird auch empfohlen, das Passwort regelmäßig zu ändern.
- Rufen Sie keine andere Website im Webbrowser auf, während Sie Einstellungen vornehmen oder nachdem Sie Einstellungen vorgenommen haben. Da der Anmeldestatus beim Webbrowser gespeichert bleibt, schließen Sie den Webbrowser, wenn Sie die Einstellungen abgeschlossen haben, um zu verhindern,

dass unautorisierte Dritte das Gerät nutzen oder schädliche Programme ausführen.

SONY ÜBERNIMMT WÄHREND ODER NACH ABLAUF DES GARANTIEZEITRAUMS KEINE HAFTUNG FÜR SCHÄDEN JEDER ART DURCH VERWENDUNG DIESES GERÄTS FÜR ANDERE ALS ALLGEMEINE PRIVATE ZWECKE.

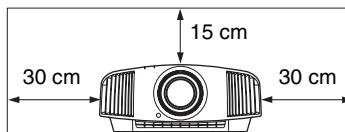
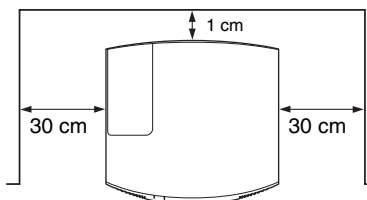
Hinweise zu Installation und Gebrauch

Ungeeignete Installation

Stellen Sie das Gerät nicht an folgenden Orten auf, weil es sonst zu einer Funktionsstörung oder Beschädigung des Geräts kommen kann.

In der Nähe einer Wand

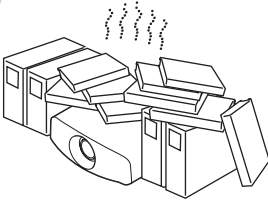
Um die Leistung und Zuverlässigkeit aufrecht zu erhalten, lassen Sie zwischen dem Gerät und einer vorhandenen Wand so viel Abstand wie in der Abbildung dargestellt.



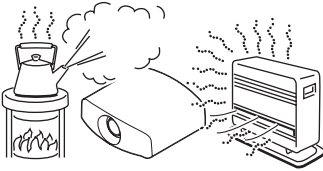
Aufgrund des Luftstroms von Klimaanlage oder den Lüftungsöffnungen dieses Geräts oder anderer Geräte kann es auf der Leinwand zu Schwankungen kommen. Achten Sie darauf, dieses Gerät so aufzustellen, dass der Luftstrom von Klimaanlage oder den Lüftungsöffnungen der Geräte die Vorderseite dieses Geräts nicht erreicht.

Schlecht belüftete Orte

Halten Sie einen Abstand von mindestens 30 cm um das Gerät ein.

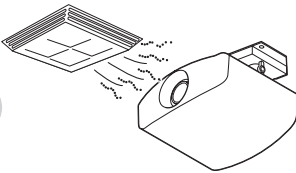


Heiße und feuchte Orte



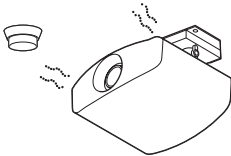
Orte, die direkter Kalt- oder Warmluft von einer Klimaanlage ausgesetzt sind

Die Installation des Geräts an einem solchen Ort kann zu einer Funktionsstörung führen, die durch Feuchtigkeitskondensation oder Temperaturanstieg verursacht wird.

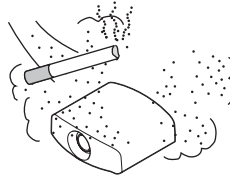


In der Nähe eines Wärme- oder Rauchsensors

Es kann zu einer Funktionsstörung des Sensors kommen.



Sehr staubige oder extrem rauchige Orte



Ungeeignete Bedingungen

Führen Sie während der Benutzung des Geräts keinen der folgenden Vorgänge durch.

Neigen nach vorn/hinten und links/rechts

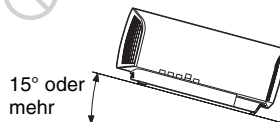
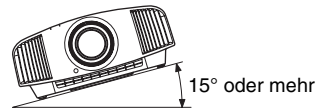
Vermeiden Sie die Benutzung des Geräts bei einer Neigung von mehr als 15°.

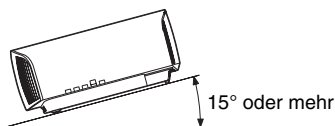
Installieren Sie das Gerät nur auf einer ebenen Fläche oder an der Decke.

Andernfalls kann es zu Farbunregelmäßigkeiten oder einer Reduzierung der Zuverlässigkeit der Lampeneffekte führen.

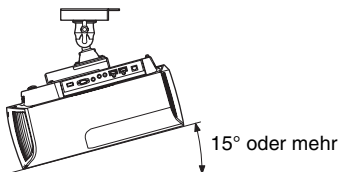
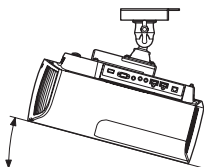
Wenn das Gerät nach oben oder unten geneigt ist, wird das Bild auf der Leinwand möglicherweise trapezförmig verzerrt angezeigt.

Positionieren Sie das Gerät so, dass das Objektiv parallel zur Leinwand ausgerichtet ist.






15° oder
mehr



Für Händler

- Wenn der Projektor an der Decke montiert wird, muss zur Installation eine Sony-Halterung oder eine gleichwertige, empfohlene Vorrichtung verwendet werden.
- Sorgen Sie bei Deckenmontage für eine einwandfreie Sicherung der Gehäuseabdeckung.

Bei Installation des Gerätes in Höhenlagen

Wenn Sie das Gerät in Höhenlagen über 1.500 m benutzen, setzen Sie „Höhenlagenmodus“ im Menü Einrichtung  auf „Ein“. Wird dieser Modus bei Verwendung des Geräts in Höhenlagen nicht aktiviert, kann dies negative Folgen haben, wie z.B. die Verschlechterung der Zuverlässigkeit bestimmter Komponenten.

Sicherheitshinweise zur Montage des Geräts an der Decke

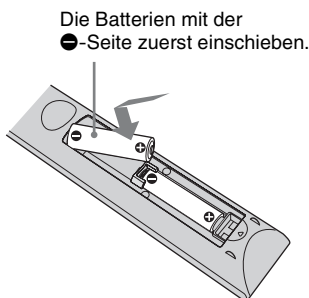
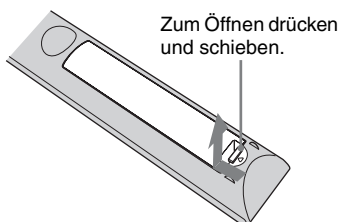
- Montieren Sie den Projektor auf keinen Fall selbst an der Decke und hängen Sie ihn nicht alleine um. Wenden Sie sich dazu unbedingt an qualifizierte Sony-Fachleute (kostenpflichtig).
- Verwenden Sie bei der Montage des Geräts an der Decke unbedingt einen Sicherungsdraht o. Ä., damit das Gerät nicht herunterfallen kann. Beauftragen Sie erfahrenes Fachpersonal mit der Montage.

Überprüfen des mitgelieferten Zubehörs

Prüfen Sie die Verpackung und vergewissern Sie sich, dass sie folgende Elemente enthält:

- Fernbedienung (1)
VPL-VW570ES: RM-PJ24
VPL-VW270ES: RM-PJ28
- Manganbatterien der Größe AA (R6) (2)
- Objektivdeckel (1)
Im Auslieferungszustand sitzt ein Objektivdeckel auf dem Objektiv. Nehmen Sie den Objektivdeckel vor der Verwendung des Projektors ab.
- Netzkabel (1)
- Kurzreferenz (diese Anleitung) (1)
- Bedienungsanleitung (CD-ROM) (1)

Einlegen der Batterien in die Fernbedienung



Vorsichtshinweis zum Umgang mit der Fernbedienung

- Gehen Sie sorgfältig mit der Fernbedienung um. Lassen Sie sie nicht fallen, treten Sie nicht darauf und

verschütten Sie keine Flüssigkeiten darauf.

- Legen Sie die Fernbedienung nicht an einem Ort in der Nähe einer Wärmequelle, in direktem Sonnenlicht oder in einem feuchten Raum ab.

Verwenden der Anleitungen auf der CD-ROM

Die Anleitung kann auf einem Computer, auf dem der Adobe Reader installiert ist, gelesen werden. Sie können den Adobe Reader kostenlos von der Adobe-Website herunterladen.

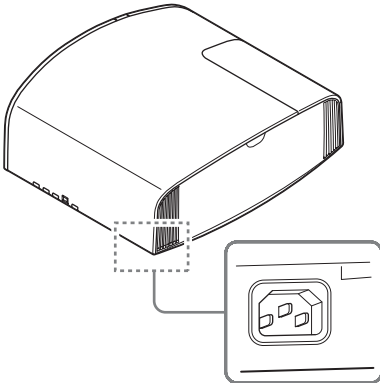
- 1 Öffnen Sie die Datei index.htm auf der CD-ROM.
- 2 Wählen Sie die Anleitung aus, die Sie lesen möchten, und klicken Sie darauf.

Hinweis

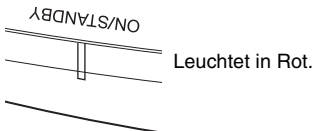
Wenn Sie die CD-ROM nicht mehr besitzen, oder wenn sie beschädigt ist, können Sie Ersatz bei Ihrem Sony-Händler oder der Sony-Servicevertretung bestellen.

- 1 Positionieren Sie das Gerät so, dass das Objektiv parallel zur Leinwand ausgerichtet ist.
- 2 Schließen Sie das Netzkabel erst an das Gerät und dann an eine Netzsteckdose an.

Rückseite des Geräts



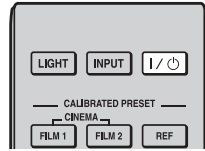
Vorderseite des Geräts



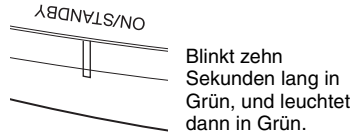
Hinweis

Nachdem Sie das Netzkabel mit dem Gerät verbunden haben, blinkt möglicherweise die Anzeige ON/STANDBY orange. Sie können das Gerät möglicherweise nicht kontrollieren, während die Anzeige blinkt, aber das ist keine Fehlfunktion. Warten Sie, bis das Blinken stoppt und die Anzeige rot leuchtet.

- 3 Drücken Sie die Taste I/⏻ (ON/STANDBY), um das Gerät einzuschalten.

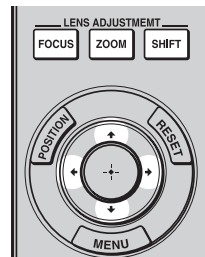


Vorderseite des Geräts



- 4 Projizieren Sie ein Bild auf die Projektionsfläche und passen Sie Fokus, Format und Position an.

VPL-VW570ES



- 1 Stellen Sie den Fokus ein.

Rufen Sie mit der Taste LENS ADJUSTMENT (FOCUS) das Objektiv-Fokus-Einstellfenster (Testmuster) auf. Stellen Sie dann mit den Tasten ↑/↓/←/→ den Fokus des Bildes ein.

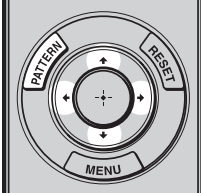
- 2 Stellen Sie die Bildgröße ein.

Rufen Sie mit der Taste LENS ADJUSTMENT (ZOOM) das Objektiv-Zoom-Einstellfenster (Testmuster) auf. Stellen Sie dann mit den Tasten ↑/↓/←/→ die Größe des Bildes ein.

3 Stellen Sie die Bildposition ein.

Rufen Sie mit der Taste LENS ADJUSTMENT (SHIFT) das Objektivlage-Einstellfenster (Testmuster) auf. Stellen Sie dann mit den Tasten $\uparrow/\downarrow/\leftarrow/\rightarrow$ die korrekte Position des Bildes ein.

VPL-VW270ES



1 Stellen Sie den Fokus ein.

Drücken Sie mehrmals die Taste PATTERN, um das Objektiv-Fokus-Einstellfenster (Testmuster) aufzurufen. Stellen Sie dann mit den Tasten $\uparrow/\downarrow/\leftarrow/\rightarrow$ den Fokus des Bildes ein.

2 Stellen Sie die Bildgröße ein.

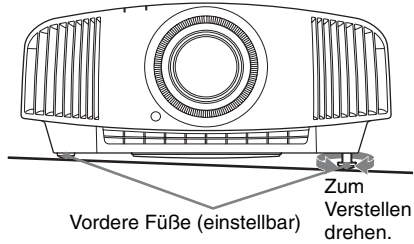
Drücken Sie mehrmals die Taste PATTERN, um das Objektiv-Zoom-Einstellfenster (Testmuster) aufzurufen. Stellen Sie dann mit den Tasten $\uparrow/\downarrow/\leftarrow/\rightarrow$ die Größe des Bildes ein.

3 Stellen Sie die Bildposition ein.

Drücken Sie mehrmals die Taste PATTERN, um das Objektivlage-Einstellfenster (Testmuster) aufzurufen. Stellen Sie dann mit den Tasten $\uparrow/\downarrow/\leftarrow/\rightarrow$ die korrekte Position des Bildes ein.

So gleichen Sie die Neigung der Installationsfläche aus

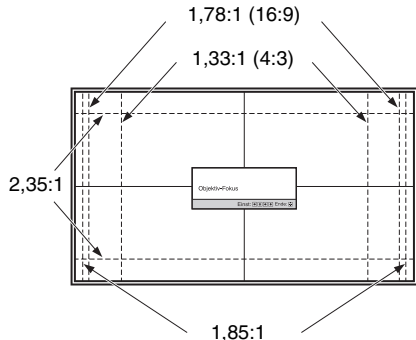
Wenn das Gerät auf einer unebenen Fläche aufgestellt wird, benutzen Sie die vorderen FüÙe (einstellbar), um das Gerät waagrecht zu halten.



Hinweise

- Wenn das Gerät nach oben oder unten geneigt ist, wird das projizierte Bild möglicherweise trapezförmig verzerrt angezeigt.
- Achten Sie darauf, dass Sie sich beim Drehen der vorderen FüÙe (einstellbar) nicht den Finger klemmen.

Objektiv-Einstellfenster (Testmuster)

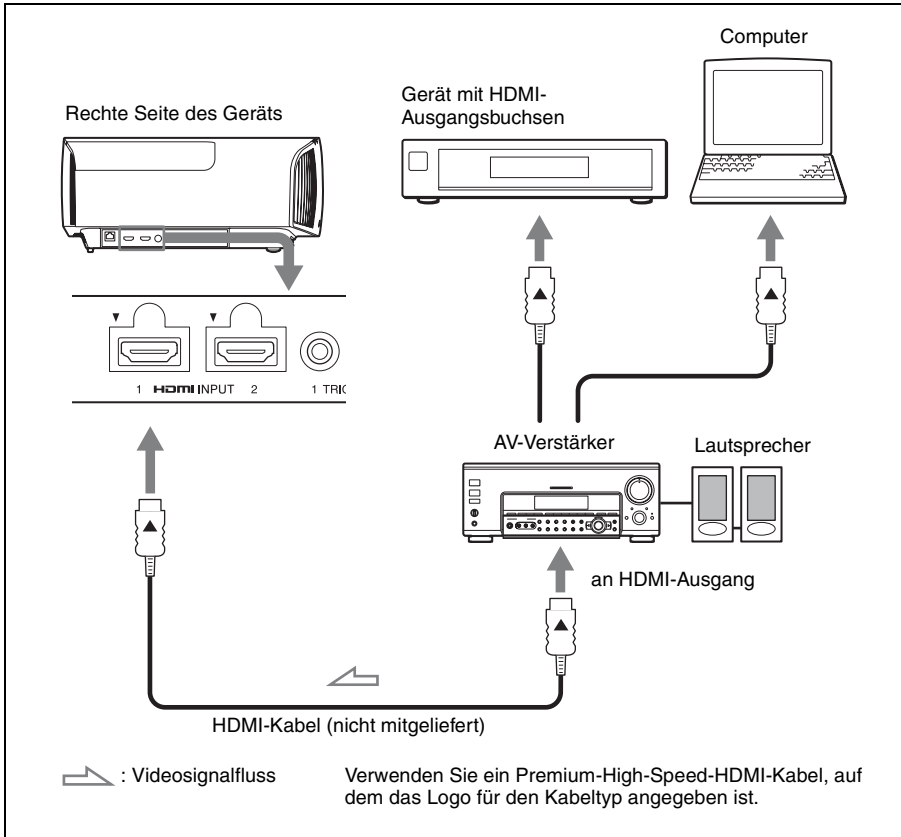


Die gestrichelten Linien zeigen die Leinwandgröße beim jeweiligen Seitenverhältnis.

Weitere Informationen finden Sie unter „Anschlüsse und Vorbereitungen“ in der Bedienungsanleitung auf der mitgelieferten CD-ROM nach.

Achten Sie bei der Herstellung der Anschlüsse auf Folgendes:

- Schalten Sie alle Geräte aus, bevor Sie irgendwelche Anschlüsse vornehmen.
- Verwenden Sie die korrekten Kabel für jeden Anschluss.
- Stecken Sie die Kabelstecker einwandfrei ein; lockerer Anschluss der Stecker kann eine Funktionsstörung oder schlechte Bildqualität verursachen. Ziehen Sie beim Herausziehen eines Kabels am Stecker, nicht am Kabel selbst.
- Schlagen Sie in der Bedienungsanleitung des angeschlossenen Gerätes nach.



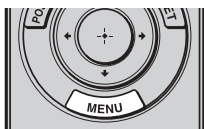
Weitere Informationen finden Sie unter „Anschlüsse und Vorbereitungen“ in der Bedienungsanleitung auf der mitgelieferten CD-ROM nach.

Schritt 4

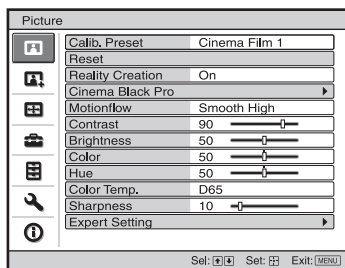
Wählen der Menüsprache

Für die Menüanzeige und die anderen Bildschirmanzeigen können Sie die Sprache auswählen. Die Werksvorgabe ist Englisch. Um die aktuelle Menüsprache zu ändern, stellen Sie die gewünschte Sprache auf dem Menübildschirm ein.

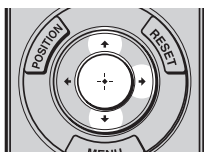
- 1 Drücken Sie MENU.



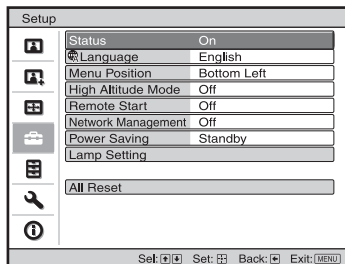
Das Menü erscheint.



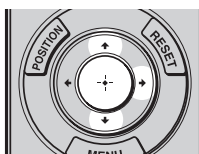
- 2 Rufen Sie mit \uparrow/\downarrow das Menü Setup auf, und drücken Sie dann \rightarrow oder \odot .



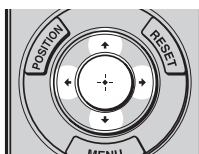
Die Einstellungsposten des ausgewählten Menüs werden angezeigt.



- 3 Wählen Sie mit \uparrow/\downarrow den Posten „Language“ aus, und drücken Sie dann \rightarrow oder \odot .



- 4 Wählen Sie mit $\uparrow/\downarrow/\leftarrow/\rightarrow$ die gewünschte Sprache, und drücken Sie dann \odot .

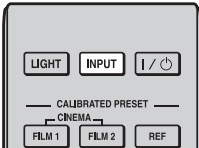


Die Menüsprache wechselt zu der ausgewählten Sprache.

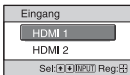
So wird das Menü ausgeblendet
Drücken Sie MENU.

Projizieren des Bildes

- 1 Schalten Sie sowohl das Gerät als auch die angeschlossenen Geräte ein.
- 2 Drücken Sie INPUT, um auf dem Bildschirm eine Liste der Eingabegeräte anzuzeigen.



- 3 Wählen Sie das Gerät, auf dem sich die Bilder befinden, die angezeigt werden sollen.
Drücken Sie wiederholt auf INPUT, oder drücken Sie auf **↑/↓/⊕** (Eingabe), um das gewünschte Gerät zu wählen.



Beispiel: Wiedergeben des Bildes vom am Anschluss HDMI 1 dieses Geräts angeschlossenen Videogerät.

Der Lüfter hält an, und die Anzeige ON/STANDBY blinkt nicht mehr grün, sondern leuchtet dauerhaft rot.

Der Strom ist nun vollkommen ausgeschaltet, und das Netzkabel kann gezogen werden.

Hinweis

Während die Anzeige blinkt, darf das Netzkabel auf keinen Fall abgezogen werden.

Tipp

Anstatt die obigen Schritte auszuführen, können Sie das Gerät auch ausschalten, indem Sie die Taste **I/⏻** (ON/STANDBY) etwa 1 Sekunde lang gedrückt halten.

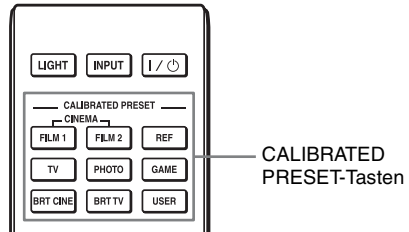
Ausschalten des Geräts

- 1 Drücken Sie die Taste **I/⏻** (ON/STANDBY).
Die Meldung „AUSCHALTEN?“ erscheint auf der Leinwand.
- 2 Drücken Sie die Taste **I/⏻** (ON/STANDBY) erneut, bevor die Meldung ausgeblendet wird.
Die Anzeige ON/STANDBY blinkt grün und der Lüfter läuft weiter, um die interne Wärme abzuleiten.

Weitere Informationen finden Sie unter „Projizieren“ in der Bedienungsanleitung auf der mitgelieferten CD-ROM nach.

Wahl des Bildbetrachtungsmodus

Drücken Sie eine der Tasten
CALIBRATED PRESET.



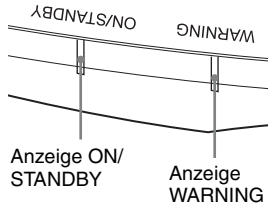
Einstellungsposten	Beschreibung
CINEMA FILM 1	Bildqualität, die sich für die Reproduktion der äußerst dynamischen und klaren Bilder eignet, die für einen Master-Positivfilm typisch sind.
CINEMA FILM 2	Bildqualität, die sich für die Reproduktion der satten Töne und Farben eignet, die für ein Kino typisch sind, auf der Grundlage von Kino Film 1.
REF	Eine Bildqualitätseinstellung, die sich eignet, wenn Sie die Originalbildqualität genau reproduzieren oder die Bildqualität ohne Anpassungen beibehalten möchten.
TV	Bildqualität, die sich für die Wiedergabe von Fernsehprogrammen, Sport, Konzerten und anderen Videobildern eignet.
PHOTO	Ideal zum Projizieren von Standbildern, die mit einer Digitalkamera aufgenommen wurden.
GAME	Bildqualität, die sich zum Spielen eignet, mit gut regulierten Farben und einer schnellen Reaktion.
BRT CINE	Bildqualität für die Darstellung von Filmen in einer sehr hellen Umgebung, wie in einem Wohnzimmer.
BRT TV	Bildqualität für die Darstellung von Fernsehprogrammen, Sport, Konzerten und anderen Videobildern in einer hellen Umgebung, wie in einem Wohnzimmer.
USER	Stellen Sie die Bildqualität nach Belieben ein und speichern Sie die Einstellung. Die werkseitige Standardeinstellung ist dieselbe wie bei „REF“.

Weitere Informationen finden Sie unter „Projizieren“ in der Bedienungsanleitung auf der mitgelieferten CD-ROM nach.

Störungsbehebung

Warnanzeigen

Die Anzeige ON/STANDBY oder WARNING leuchtet auf oder blinkt, falls eine Störung in Ihrem Projektor vorliegt.



Anzeigen blinken/leuchten	Anzahl des Blinkens	Ursache und Abhilfemaßnahme
	Zweimal	Schließen Sie die Lampenabdeckung einwandfrei, und ziehen Sie die Schrauben fest an.
<p>(Leuchtet rot) (Blinkt rot)</p>	Dreimal	Die Temperatur der Lampe ist ungewöhnlich hoch. Schalten Sie die Stromversorgung aus und warten Sie, bis die Lampe abgekühlt ist, bevor Sie den Projektor wieder einschalten. Wenn das Symptom weiterhin besteht, hat die Lampe möglicherweise das Ende ihrer Nutzungsdauer erreicht. Tauschen Sie in diesem Fall die Lampe gegen eine neue aus.
<p>(Blinkt rot) (Blinkt rot) Beide Anzeigen blinken</p>	Zweimal	Die Innentemperatur ist ungewöhnlich hoch. Prüfen Sie, ob die Lüftungsöffnungen blockiert sind oder ob das Gerät in Höhenlagen verwendet wird.
	Dreimal	Der Lüfter ist defekt. Konsultieren Sie qualifiziertes Sony-Personal.

Hinweis

Falls die Störung trotz Ausführung der obigen Maßnahmen bestehen bleibt, wenden Sie sich an qualifiziertes Sony-Personal.

Falls die Anzeige anders als oben erläutert zu blinken beginnt, schalten Sie das Gerät aus und dann mit der Taste (Ein/Bereitschaft) auf der Fernbedienung oder am Bedienfeld des Geräts wieder ein. Sollte die Störung bestehen bleiben, wenden Sie sich an qualifiziertes Sony-Personal.

Falls Probleme auftreten oder eine Fehlermeldung angezeigt wird, schlagen Sie unter „Störungsbehebung“ in der Bedienungsanleitung auf der mitgelieferten CD-ROM nach.

Die als Lichtquelle verwendete Lampe hat eine begrenzte Lebensdauer. Wenn die Lampe schwächer wird, die Farbbalance des Bilds unausgewogen ist oder „Lampentausch erforderlich.“ auf der Leinwand erscheint, ist möglicherweise die Lampe erschöpft. Ersetzen Sie die Lampe unverzüglich durch eine neue (nicht mitgeliefert).

Tipp

Die Lebensdauer der als Lichtquelle verwendeten Lampe hängt von der Installationsumgebung bzw. den Nutzungsbedingungen ab. Sie können die Lampe länger verwenden, wenn Sie nach dem Einschalten der Lampe mehrere Minuten warten, bevor Sie sie wieder ausschalten.

Erforderliche Werkzeuge:

- Projektorlampe (optional)
VPL-VW570ES: LMP-H280
VPL-VW270ES: LMP-H220
- Normaler Kreuzschlitzschraubendreher
- Tuch (für Kratzerverhütung)

Vorsicht

- Die Lampe bleibt auch nach dem Ausschalten des Geräts mit der Taste I/⏻ (ON/STANDBY) noch längere Zeit heiß. Falls Sie die Lampe berühren, können Sie sich die Finger verbrennen. Lassen Sie die Lampe mindestens 1 Stunde lang abkühlen, bevor Sie sie austauschen.
- Berühren Sie nicht die Lampenoberfläche. Falls Sie sie berühren, wischen Sie Fingerabdrücke mit einem weichen Tuch ab.
- Lassen Sie beim Lampenwechsel besondere Vorsicht walten, wenn das Gerät an der Decke montiert ist.
- Wenn Sie die Lampe in ein Gerät einsetzen, das sich an der Decke befindet, achten Sie darauf, dass Sie nicht unmittelbar unter der Lampenabdeckung stehen. Wenn Sie die Lampenklappe (innere Abdeckung) abnehmen, drehen Sie diese nicht. Wenn die Lampe explodiert, können ihre Fragmente Verletzungen hervorrufen.

- Achten Sie beim Herausnehmen der Lampeneinheit darauf, dass sie horizontal bleibt, und ziehen Sie sie gerade nach oben. Die Lampeneinheit nicht kippen. Falls Sie die Lampeneinheit schräg herausziehen und die Lampe bricht, können die Bruchstücke verstreut werden und Verletzungen verursachen.

Hinweise


- Verwenden Sie unbedingt die angegebene Projektorlampe als Ersatz. Wenn Sie eine andere als die angegebene Projektorlampe verwenden, kann es am Gerät zu einer Funktionsstörung kommen.
- Schalten Sie unbedingt das Gerät aus, und ziehen Sie das Netzkabel ab, bevor Sie die Lampe austauschen. Vergewissern Sie sich dann, dass die Anzeige ON/STANDBY erloschen ist.

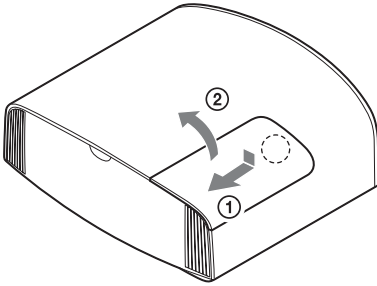
Austauschen der Lampe

- 1 Schalten Sie das Gerät aus, und ziehen Sie das Netzkabel ab.
- 2 Wenn Sie das Gerät auf eine ebene Fläche (z.B. einen Tisch usw.) stellen, decken Sie die Fläche mit einem Tuch ab, damit sie nicht verkratzt wird. Stellen Sie das Gerät auf das Tuch.

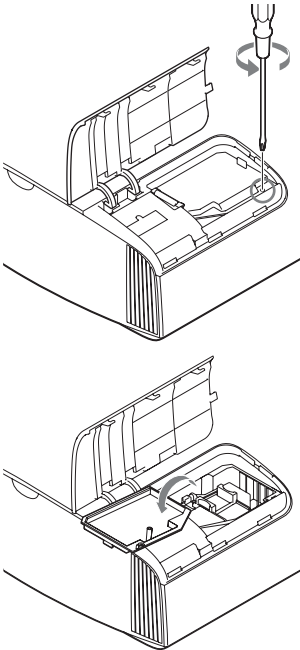
Hinweis

Stellen Sie das Gerät auf eine stabile Fläche.

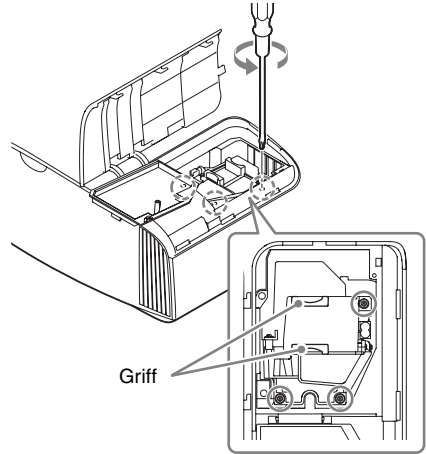
- 3** Während Sie auf den Bereich  drücken, der in der Abbildung der Lampenabdeckung angezeigt ist, schieben Sie **1** und öffnen Sie **2** dann die Lampenabdeckung.



- 4** Lösen Sie die Schraube der Lampenklappe (innere Abdeckung) mit einem Kreuzschlitzschraubendreher, und öffnen Sie dann die Lampenklappe.



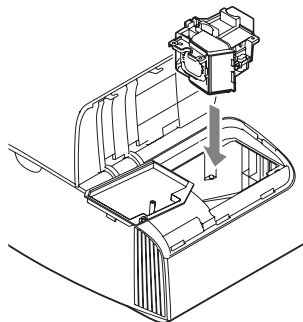
- 5** Lösen Sie die 3 Schrauben an der Lampe mit dem Kreuzschlitzschraubendreher. Halten Sie den Griff hoch, und ziehen Sie dann die Lampe gerade heraus.



Hinweise

- Lösen Sie keine anderen als die 3 angegebenen Schrauben.
- Halten Sie die Lampe am Griff, um sie zu entfernen und einzusetzen.

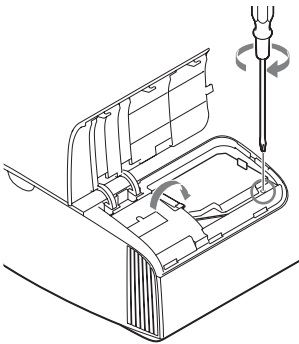
- 6** Drücken Sie die neue Lampe mit dem Griff sicher hinein, bis sie fest sitzt, und ziehen Sie dann die 3 Schrauben fest.



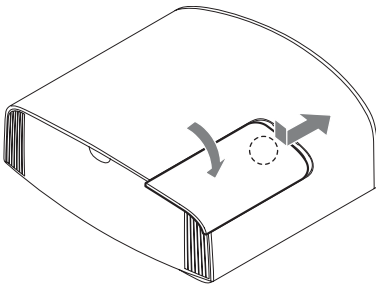
Hinweis

Achten Sie darauf, dass Sie nicht den Optikblock im Inneren des Projektors berühren.

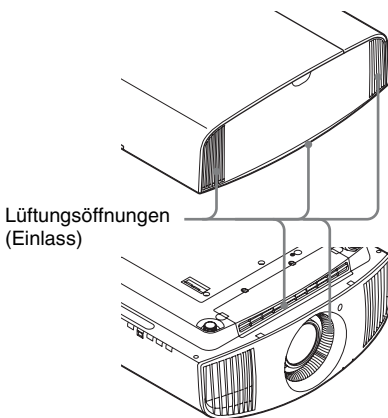
- 7** Schließen Sie die Lampenklappe (innere Abdeckung), und ziehen Sie die Schraube an.




- 8** Schließen Sie die Lampenabdeckung.

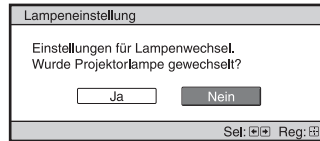


- 9** Säubern Sie die Lüftungsöffnungen (Einlass) mit einem weichen Tuch von Staub.



Lüftungsöffnungen
(Einlass)

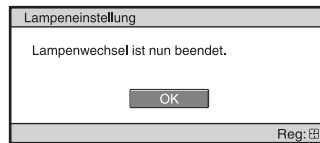
- 10** Schalten Sie das Gerät ein, und wählen Sie dann den Lampeneinstellungsposten im Menü Einrichtung  aus. Der folgende Menübildschirm wird angezeigt.



Tipp

Wenn „Einstellungssperre“ auf „Stufe B“ gesetzt ist, setzen Sie sie kurz auf „Aus“.

- 11** Wählen Sie „Ja“.



Vorsicht

Greifen Sie nicht in den Lampensteckplatz, und achten Sie darauf, dass keine Flüssigkeiten oder Fremdkörper in den Steckplatz eindringen, um einen elektrischen Schlag oder Brand zu vermeiden.

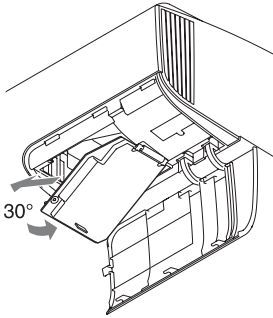
Hinweise

- Das Gerät lässt sich nur einschalten, wenn die Lampe vorschriftsmäßig installiert ist.
- Das Gerät lässt sich nicht einschalten, wenn die Lampenabdeckung nicht einwandfrei geschlossen ist.
- Um eine Meldung auf der Leinwand zu löschen, drücken Sie einmal eine beliebige Taste an der Fernbedienung oder am Bedienfeld des Geräts.

Hinweis zum Austauschen einer schadhaften Lampe im Fall einer Deckeninstallation

Bei einem Bersten der Lampe können Lampensplitter umherfliegen und Verletzungen verursachen.

Wenn sich das Gerät an der Decke befindet, entfernen Sie die Lampenklappe (innere Abdeckung), indem Sie sie langsam horizontal verschieben, nachdem Sie sie mit einer Öffnung von 30 Grad angehoben haben. Vermeiden Sie, die Lampenklappe (innere Abdeckung) zu verdrehen.



Hinweis

Die Lampe enthält Quecksilber. Die Entsorgungsvorschriften für verbrauchte Leuchtstoffröhren hängen von Ihrem Wohnort ab. Befolgen Sie die Müllentsorgungsvorschriften in Ihrem Gebiet.

Informazioni sulla Guida rapida all'uso

La presente Guida rapida all'uso descrive l'installazione e le operazioni di base per la proiezione di immagini. Inoltre, sono descritte note e precauzioni importanti a cui prestare attenzione durante l'uso di questa unità.

Vedere "Spie di avvertenza" e "Sostituzione della lampada" in base alle necessità.

Per i dettagli sulle operazioni, consultare le Istruzioni per l'uso contenute nel CD-ROM in dotazione.

Punto 1

PreparazionePagina 9

Punto 2

Installazione dell'unitàPagina 10

Punto 3

Collegamento dell'unità.....Pagina 12

Punto 4

**Selezione della lingua del menu
.....Pagina 13**

Punto 5

Proiezione.....Pagina 14

Gestione degli errori

Spie di avvertenza.....Pagina 16

Manutenzione

Sostituzione della lampada.....Pagina 17

Leggere attentamente questo manuale prima di utilizzare l'unità, e conservarlo per riferimenti futuri.

AVVERTENZA

Per ridurre il rischio di incendi o scosse elettriche, non esporre questo apparato alla pioggia o all'umidità.

Per evitare scosse elettriche, non aprire l'involucro. Per l'assistenza rivolgersi unicamente a personale qualificato.

AVVERTENZA

Questo apparato deve essere collegato a terra.

AVVERTENZA

Durante l'installazione dell'apparecchio, incorporare un dispositivo di scollegamento prontamente accessibile nel cablaggio fisso, oppure collegare la spina di alimentazione ad una presa di corrente facilmente accessibile vicina all'apparecchio. Qualora si verifichi un guasto durante il funzionamento dell'apparecchio, azionare il dispositivo di scollegamento in modo che interrompa il flusso di corrente oppure scollegare la spina di alimentazione.

ATTENZIONE

Per ragioni di sicurezza, non collegare alla porta indicata di seguito un connettore di cablaggio di dispositivi periferici su cui potrebbe essere presente una tensione eccessiva:

Connettore LAN

AVVERTENZA

1. Utilizzare il cavo di alimentazione (a 3 conduttori) / connettore per l'apparecchio / spina con contatti di messa a terra approvato e conforme alle normative sulla sicurezza in vigore nel paese specifico.
2. Utilizzare il cavo di alimentazione (a 3 conduttori) / connettore per l'apparecchio / spina adatto alle

caratteristiche di tensione e corrente della rete elettrica.

In caso di domande relative all'uso del cavo di alimentazione / connettore per l'apparecchio / spina di cui sopra, rivolgersi a personale qualificato.

ATTENZIONE

- Pericolo di esplosione in caso di sostituzione incorretta della batteria. Sostituire la batteria con una uguale o equivalente seguendo le raccomandazioni del produttore.
- Smaltire la batteria o il prodotto in conformità con le normative vigenti nella regione o paese di utilizzo. Non smaltire la batteria o il prodotto in forni ad alta temperatura o nel fuoco. Non tagliare né frantumare meccanicamente la batteria. Questo potrebbe causarne l'esplosione o dar luogo a incendi. Non esporre la batteria a pressioni atmosferiche estremamente basse. Questo potrebbe causare esplosioni o perdite di gas o liquidi infiammabili.
- Non esporre la batteria ad elevate temperature, come ad esempio sotto luce solare diretta o in prossimità di fiamme per evitare che possa prendere fuoco, esplodere o causare incendi. Non immergere né bagnare la batteria in acqua. Questo potrebbe causare scariche elettriche.

IT

ATTENZIONE

Il telecomando richiede il seguente tipo e il seguente numero di batterie:

- Formato AA (R6)
- Due

Per evitare il rischio di esplosioni, utilizzare unicamente batterie di tipo:

- Batterie formato AA (R6) alcaline o al manganese

Attenzione per sostituzione/ smaltimento della batteria degli occhiali 3D

Se una batteria non viene sostituita correttamente vi è il rischio di esplosione.

Sostituire una batteria con una uguale o simile seguendo le raccomandazioni del produttore.

Per lo smaltimento della batteria, attenersi alle norme in vigore nel paese di utilizzo.

Informazioni sugli occhiali 3D

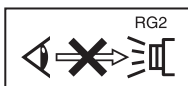
Gli occhiali 3D comunicano con il proiettore tramite tecnologia Bluetooth per visualizzare i segnali 3D.

a) bande di frequenza di funzionamento dell'apparecchiatura radio:

2.4 - 2.4835 GHz

b) massima potenza a radiofrequenza trasmessa nelle bande di frequenza in cui opera l'apparecchiatura radio:

4.30 dBm (E.I.R.P.)



Come per qualsiasi sorgente luminosa intensa, non fissare direttamente il fascio di luce, RG2 IEC 62471-5:2015.

Con la presente, Sony Corporation dichiara che questo apparecchio è conforme alla Direttiva 2014/53/UE.

Il testo completo della dichiarazione di conformità UE è disponibile al seguente indirizzo Internet:

<http://www.compliance.sony.de/>

Nota: Le seguenti frasi integrano il manuale di istruzioni e, in caso di discordanza, prevalgono sul manuale di istruzioni.

Indicazioni specifiche e avvertenze per l'utilizzo di occhiali 3D in ambito domestico, richieste dal Ministero della Salute Italiano.

- L'utilizzo degli occhiali 3D è controindicato per i bambini al di sotto dei 6 anni di età.
- L'utilizzo continuativo degli occhiali 3D deve in ogni caso essere limitato a un tempo massimo orientativamente pari a quello della durata di uno spettacolo cinematografico.
- L'utilizzo degli occhiali 3D deve essere limitato esclusivamente alla visione di contenuti in 3D.

- Gli occhiali 3D devono essere utilizzati contestualmente agli strumenti correttivi della visione (ad es., occhiali da vista/lenti a contatto), qualora abitualmente utilizzati dall'utente.
- E' opportuno interrompere immediatamente la visione in 3D in caso di comparsa di disturbi agli occhi o di malessere generale e, nell'eventualità di persistenza degli stessi, consultare un medico.
- Gli occhiali 3D devono essere tenuti fuori dalla portata dei bambini qualora vi sia la presenza di piccole parti mobili ingeribili.
- La pulizia degli occhiali 3D deve essere fatta utilizzando un panno leggermente inumidito con una soluzione di sapone delicato e acqua tiepida, non usare prodotti a base alcolica.
- L'uso di sostanze disinfettanti può danneggiare il prodotto o comprometterne la funzionalità; è pertanto controindicato l'uso promiscuo degli occhiali 3D in caso di infezioni oculari o altre affezioni trasmissibili per contatto (a titolo meramente esemplificativo: congiuntivite, infestazioni del capo ecc...) fino alla completa scomparsa dell'infezione stessa.

Precauzioni

Sicurezza

- Verificare che la tensione di funzionamento dell'unità corrisponda alla tensione della rete elettrica locale.
- Se liquidi o solidi dovessero cadere nel mobile, scollegare l'unità e farla controllare da personale qualificato prima di usarla nuovamente.
- Se l'unità non sarà utilizzata per diversi giorni, scollegarla dalla presa di rete.
- Per scollegare il cavo, tirarlo fuori afferrando la spina. Non tirare mai direttamente il cavo.
- La presa di rete dovrebbe essere vicina all'unità e facilmente accessibile.
- L'unità non è scollegata dalla sorgente di alimentazione c.a. (rete elettrica) finché è collegata alla presa di rete, anche se l'unità stessa è stata spenta.
- Non guardare dentro l'obiettivo quando la lampada è accesa.
- Non mettere le mani o degli oggetti vicino alle prese di ventilazione. L'aria che ne fuoriesce è calda.

Prevenzione del surriscaldamento interno

Dopo aver spento l'alimentazione con il pulsante I/⏻ (accensione/attesa), non scollegare l'unità dalla presa di rete mentre la ventola di raffreddamento è ancora in funzione.

Attenzione

Questa unità è dotata di prese di ventilazione di aspirazione e di scarico. Non ostruire o mettere alcun oggetto vicino a queste aperture; potrebbe verificarsi surriscaldamento interno, provocando un peggioramento dell'immagine o danneggiamento dell'unità.

Imballaggio

Conservare la scatola e il materiale di imballaggio originale, poiché potrebbero servire se fosse necessario spedire l'apparecchio. Per ottenere la massima protezione, imballare l'apparecchio nello stesso modo in cui è stato imballato in stabilimento.

Informazioni sulla visione di immagini video 3D

Precauzioni per la sicurezza

- Gli occhiali 3D devono essere utilizzati esclusivamente per guardare immagini video in 3D.
- Se si notano tremolii o lampi, spegnere l'illuminazione della stanza.
- Prodotto non destinato all'uso da parte di bambini senza l'appropriata supervisione di un adulto.
- Fare attenzione a non schiacciarsi le dita durante la chiusura delle stanghette degli occhiali 3D.
- Non lasciar cadere né modificare gli occhiali 3D.
- In caso di rottura degli occhiali, evitare il contatto di occhi e bocca con i frammenti.

Proiettore LCD

Il proiettore LCD è prodotto con una tecnologia di alta precisione. Tuttavia potrebbero essere visibili dei puntini neri e/o luminosi (rossi, blu o verdi) che appaiono in modo permanente sul proiettore LCD. Questo è un risultato normale del processo di fabbricazione e non costituisce un guasto. Inoltre, usando più proiettori LCD per proiettare su uno schermo, anche se sono dello stesso modello, la risoluzione dei colori dei vari proiettori può cambiare in quanto il bilanciamento dei colori potrebbe essere impostato diversamente da un proiettore all'altro.

Informazioni sulla condensa

Se la temperatura dell'ambiente dove il proiettore installato cambia rapidamente, o se il proiettore viene improvvisamente spostato da una stanza fredda a una calda, è possibile che sul proiettore si formi condensa. Dato che la condensa può provocare malfunzionamenti, prestare attenzione alle regolazioni delle impostazioni di temperatura del condizionatore d'aria. Se si forma condensa, lasciare il proiettore acceso per circa due ore prima dell'uso.

Note sulla sicurezza

- SONY NON SARÀ RESPONSABILE DI DANNI DI QUALSIASI TIPO RISULTANTI DALLA MANCATA IMPLEMENTAZIONE DI MISURE DI PROTEZIONE ADEGUATE SUI DISPOSITIVI DI TRASMISSIONE, DA INEVITABILI DIFFUSIONI DI DATI RISULTANTI DALLE SPECIFICHE TECNICHE DELLA TRASMISSIONE O DA PROBLEMATICHE RELATIVE ALLA SICUREZZA DI QUALSIASI TIPO.
- In base all'ambiente operativo, terze parti non autorizzate alla rete potrebbero essere in grado di accedere all'unità. Quando si collega l'unità alla rete, accertarsi di confermare che la rete è efficacemente protetta.
- Per garantire la protezione, quando si utilizza l'unità collegata alla rete, si consiglia di accedere alla finestra di controllo tramite un browser Web e di modificare le impostazioni della limitazione di accesso rispetto ai valori predefiniti (consultare "Uso delle funzionalità di rete" nelle Istruzioni per l'uso).
Si consiglia anche di modificare la password regolarmente.
- Non accedere ad altri siti con il browser Web durante o dopo la determinazione delle impostazioni. Poiché lo stato di accesso rimane nel browser Web, chiudere il browser una volta completate le impostazioni per impedire che terze parti non autorizzate possano utilizzare l'unità o eseguire programmi pericolosi.

SONY NON SARÀ RESPONSABILE DI DANNI DI QUALSIASI TIPO RISULTANTI DALL'UTILIZZO DI QUESTA UNITÀ PER SCOPI DIFFERENTI DA QUELLI DI UTILIZZO DOMESTICO GENERALE, SIA DURANTE IL PERIODO DI GARANZIA, SIA DOPO LA SUA SCADENZA.

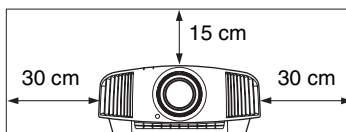
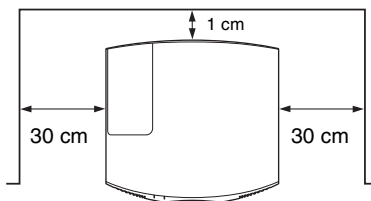
Note sull'installazione e sull'utilizzo

Posizioni di installazione inadatte

Non installare l'unità nelle seguenti condizioni, che potrebbero causare malfunzionamenti o danneggiarla.

Vicino alle pareti

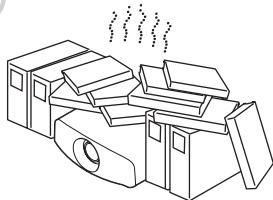
Per mantenere le prestazioni e la leggibilità dell'unità, lasciare uno spazio tra le pareti e l'unità, come illustrato.



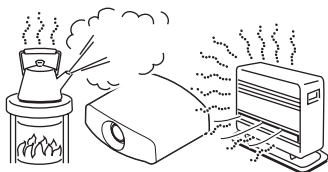
L'aria dei condizionatori o delle prese di ventilazione di questa unità o di altri dispositivi potrebbe causare oscillazioni sullo schermo. Assicurarsi di non installare questa unità nella zona in cui l'aria dei condizionatori o delle prese di ventilazione di questi dispositivi raggiunge il lato anteriore di questa unità.

Posizioni con ventilazione insufficiente

Lasciare uno spazio di almeno 30 cm intorno all'unità.

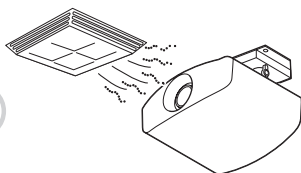


Caldo e umido



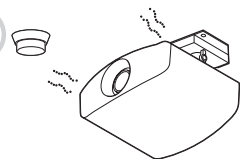
Posizioni esposte a flusso diretto di aria fresca o calda proveniente da un condizionatore

Installando l'unità in tali posizioni, potrebbe verificarsi un suo malfunzionamento causato dalla condensazione dell'umidità o dall'aumento della temperatura.

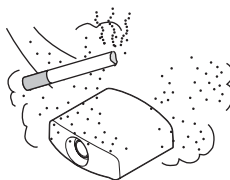


Vicino a un sensore di calore o di fumo

Potrebbe verificarsi un malfunzionamento del sensore.



Posizioni molto polverose o estremamente fumose



Condizioni non idonee

Durante l'uso dell'unità, non effettuare alcuna delle operazioni che seguono.

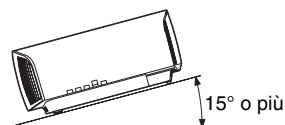
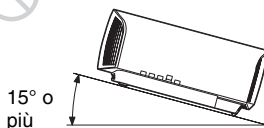
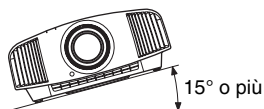
Inclinare avanti/indietro e sinistra/destra

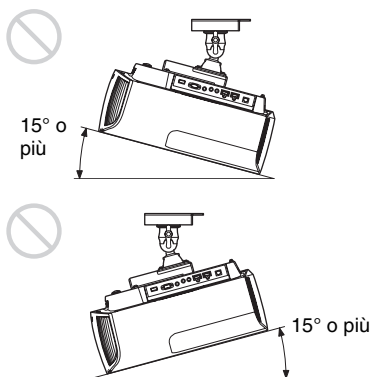
Non usare l'unità inclinata di un angolo superiore a 15 gradi.

Non installare l'unità altrove che su una superficie in piano o sul soffitto. Installando l'unità in tale posizione i colori potrebbero apparire disuniformi oppure potrebbe diminuire l'affidabilità dell'effetto della lampada.


Se si inclina l'unità verso l'alto o il basso, l'immagine sullo schermo potrebbe risultare trapezoidale.

Posizionare l'unità in modo che l'obiettivo sia parallelo allo schermo.





Installazione dell'unità a quota elevata

Quando si usa l'unità a una quota di 1.500 m o superiore, impostare “Modo quota el.” nel menu Impostazione  su “Inser.”. Se non viene impostata questo modo e l'unità è usata a quote elevate, potrebbero verificarsi degli effetti negativi, quale la diminuzione dell'affidabilità di determinati componenti.

Precauzioni di sicurezza per l'installazione dell'unità sul soffitto

- Non montare mai il proiettore sul soffitto né spostarlo da soli. Per l'installazione rivolgersi a personale Sony qualificato (a pagamento).
- Se si installa l'unità sul soffitto, accertarsi di utilizzare un cavetto di sicurezza, ecc., per impedire la caduta dell'unità. Affidare l'installazione a un installatore specializzato.

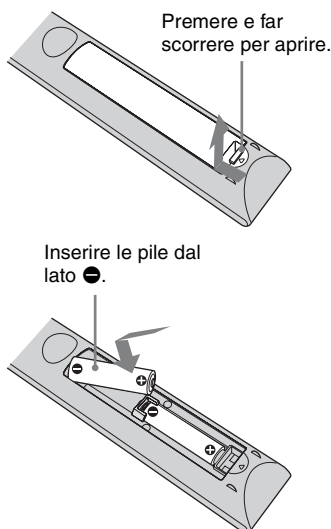
Per rivenditori

- Se si installa il proiettore sul soffitto, utilizzare per l'installazione una staffa Sony o equivalente consigliata.
- Fissare saldamente il coperchio dell'unità per una installazione sul soffitto sicura.

Verifica degli accessori in dotazione

Verificare che la confezione contenga tutti gli elementi indicati di seguito:

- Telecomando (1)
VPL-VW570ES: RM-PJ24
VPL-VW270ES: RM-PJ28
- Pile al manganese in formato AA (R6) (2)
- Copriobiettivo (1)
All'acquisto del proiettore, sull'obiettivo è applicato un copriobiettivo. Rimuovere il copriobiettivo prima di utilizzare il proiettore.
- Cavo di alimentazione c.a. (1)
- Guida rapida all'uso (questo manuale) (1)
- Istruzioni per l'uso (sul CD-ROM) (1)

Inserimento delle pile nel telecomando**Precauzioni per l'uso del telecomando**

- Maneggiare il telecomando con cura. Non farlo cadere, calpestarlo o versarvi sopra liquidi di alcun tipo.

- Non posizionare il telecomando in prossimità di fonti di calore, né in luoghi soggetti alla luce diretta del sole o in stanze umide.

Uso del manuale su CD-ROM

Il manuale può essere letto esclusivamente su un computer su cui è installato Adobe Reader.

È possibile scaricare gratuitamente Adobe Reader dal sito web di Adobe.

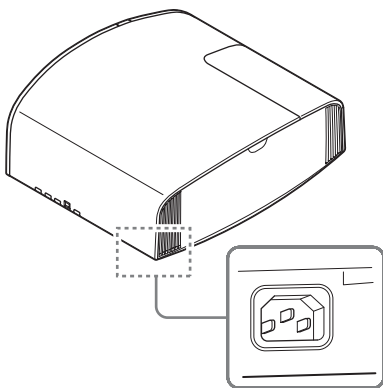
- 1 Aprire il file index. htm nel CD-ROM.
- 2 Selezionare e fare clic sul manuale che si desidera leggere.

Nota

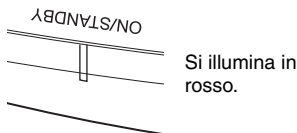
In caso di perdita o di danneggiamento del CD-ROM, è possibile acquistarne uno nuovo da un rivenditore Sony o rivolgendosi all'assistenza Sony.

- 1 Posizionare l'unità in modo che l'obiettivo sia parallelo allo schermo.
- 2 Dopo aver collegato il cavo di alimentazione c.a. all'unità, collegarlo a una presa della rete elettrica.

Posteriore dell'unità



Parte anteriore dell'unità

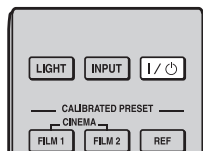


Nota

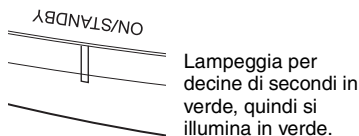
Dopo aver collegato il cavo di alimentazione c.a. all'unità, la spia ON/STANDBY potrebbe lampeggiare in arancione.

Potrebbe non essere possibile controllare l'unità mentre la spia lampeggia, tuttavia non si tratta di un malfunzionamento. Attendere che la spia smetta di lampeggiare e che si illumini di rosso.

- 3 Premere il pulsante I/⏻ (ON/STANDBY) per accendere l'unità.

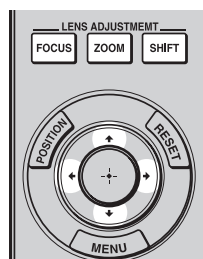


Parte anteriore dell'unità



- 4 Proiettare un'immagine sullo schermo, quindi regolare la messa a fuoco, le dimensioni e la posizione.

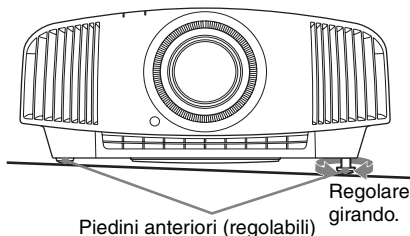
VPL-VW570ES



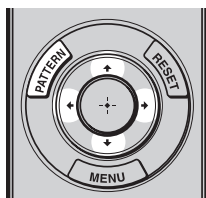
- 1 **Regolare la messa a fuoco.**
Premere il pulsante LENS ADJUSTMENT (FOCUS) per visualizzare la finestra di regolazione Fuoco obiet. (modello di prova). Regolare quindi la messa a fuoco dell'immagine premendo i pulsanti ↑/↓/←/→.
- 2 **Regolare la dimensione dell'immagine.**
Premere il pulsante LENS ADJUSTMENT (ZOOM) per visualizzare la finestra di regolazione Zoom obiettivo (modello di prova). Regolare quindi la dimensione dell'immagine premendo i pulsanti ↑/↓/←/→.

③ Regolare la posizione dell'immagine.

Premere il pulsante LENS ADJUSTMENT (SHIFT) per visualizzare la finestra di regolazione Spost. obiett. (modello di prova). Regolare quindi la corretta posizione dell'immagine premendo i pulsanti $\uparrow/\downarrow/\leftarrow/\rightarrow$.



VPL-VW270ES



① Regolare la messa a fuoco.

Premere il pulsante PATTERN ripetutamente per visualizzare la finestra di regolazione Fuoco obiett. (modello di prova). Regolare quindi la messa a fuoco dell'immagine premendo i pulsanti $\uparrow/\downarrow/\leftarrow/\rightarrow$.

② Regolare la dimensione dell'immagine.

Premere il pulsante PATTERN ripetutamente per visualizzare la finestra di regolazione Zoom obiettivo (modello di prova). Regolare quindi la dimensione dell'immagine premendo i pulsanti $\uparrow/\downarrow/\leftarrow/\rightarrow$.

③ Regolare la posizione dell'immagine.

Premere il pulsante PATTERN ripetutamente per visualizzare la finestra di regolazione Spost. obiett. (modello di prova). Regolare quindi la corretta posizione dell'immagine premendo i pulsanti $\uparrow/\downarrow/\leftarrow/\rightarrow$.

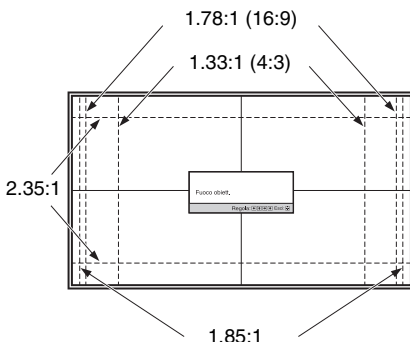
Regolazione dell'inclinazione della superficie di installazione

Se l'unità è installata su una superficie irregolare, usare i piedini anteriori (regolabili) per metterla in piano.

Note

- Se si inclina l'unità verso l'alto o il basso, l'immagine proiettata potrebbe risultare trapezoidale.
- Fare attenzione a non incastrare le dita quando si ruotano i piedini anteriori (regolabili).

Finestra di regolazione obiettivo (modello di prova)

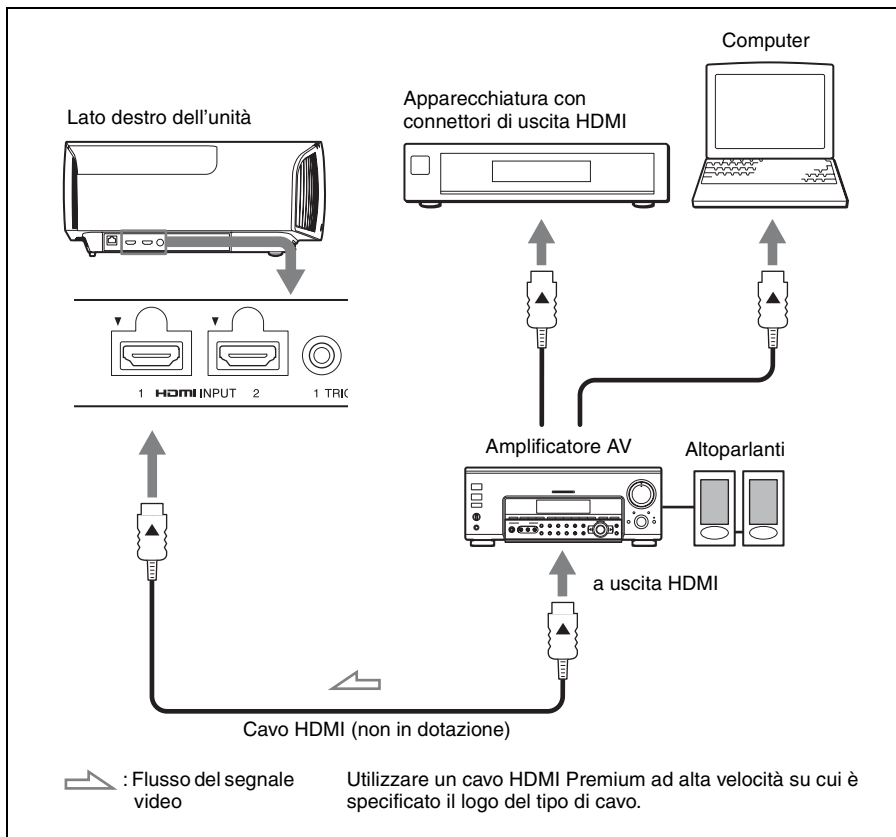


Le linee tratteggiate mostrano le dimensioni dello schermo per ogni formato.

Per i dettagli, consultare "Collegamenti e preparazioni" nelle Istruzioni per l'uso sul CD-ROM in dotazione.

Effettuare i collegamenti osservando quanto segue:

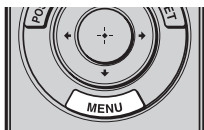
- Spegnere tutte le apparecchiature prima di effettuare qualsiasi collegamento.
- Usare cavi adatti a ciascun collegamento.
- Inserire correttamente le spine dei cavi; se il collegamento delle spine non è corretto, potrebbe verificarsi un malfunzionamento oppure la qualità dell'immagine potrebbe essere scadente. Per scollegare un cavo, afferrare la spina senza tirare il cavo stesso.
- Consultare le istruzioni d'uso dell'apparecchiatura collegata.



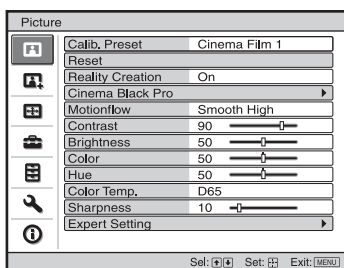
Per i dettagli, consultare "Collegamenti e preparazioni" nelle Istruzioni per l'uso sul CD-ROM in dotazione.

È possibile scegliere la lingua di presentazione del menu e di altre visualizzazioni su schermo. L'impostazione predefinita di stabilimento è l'inglese. Per cambiare la lingua del menu attuale, impostare la lingua desiderata con la schermata del menu.

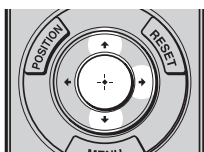
1 Premere MENU.



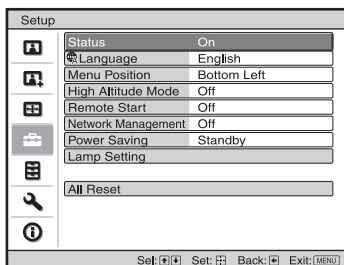
Appare il menu.



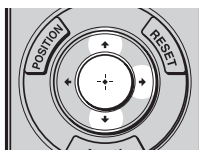
2 Premere ↑/↓ per selezionare il menu Setup e premere → o Ⓢ.



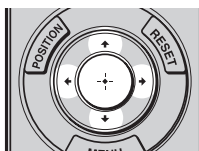
Vengono visualizzate le voci di impostazione del menu selezionato.



3 Premere ↑/↓ per selezionare "Language" e premere → o Ⓢ.



4 Premere ↑/↓/←/→ per selezionare una lingua, quindi premere Ⓢ.



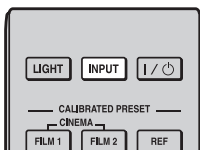
Il menu passa alla lingua selezionata.

Cancellazione del menu

Premere MENU.

Proiezione dell'immagine

- 1 Accendere l'unità e l'apparecchiatura ad essa collegata.
- 2 Premere INPUT per visualizzare sullo schermo gli ingressi disponibili.



- 3 Selezionare l'apparecchiatura della quale visualizzare le immagini. Premere ripetutamente INPUT oppure premere $\uparrow/\downarrow/\oplus$ (invio) per selezionare l'apparecchiatura di cui proiettare le immagini.



Esempio: per visualizzare l'immagine dall'apparecchiatura video collegata al connettore HDMI 1 di questa unità.

Spegnimento dell'alimentazione

- 1 Premere il pulsante I/⏻ (ON/STANDBY).
Sullo schermo appare il messaggio "DISATTIVARE?".
- 2 Premere di nuovo il pulsante I/⏻ (ON/STANDBY) prima che il messaggio scompaia.
La spia ON/STANDBY lampeggia in verde e la ventola continua a girare per ridurre il calore interno.

La ventola si arresta e la spia ON/STANDBY passa da luce verde lampeggiante a rosso fisso.

Questo indica lo spegnimento completo dell'alimentazione. È ora possibile rimuovere il cavo di alimentazione.

Nota

Non scollegare mai il cavo di alimentazione mentre l'indicatore lampeggia.

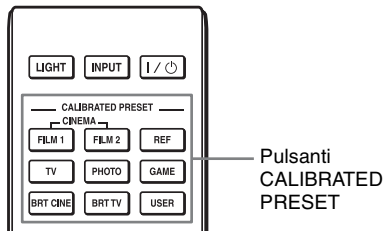
Suggerimento

È possibile spegnere l'unità tenendo premuto il pulsante I/⏻ (ON/STANDBY) per circa 1 secondo, invece di eseguire la procedura precedentemente indicata.

Per i dettagli, consultare "Proiezione" nelle Istruzioni per l'uso sul CD-ROM in dotazione.

Selezione della modalità di visualizzazione dell'immagine

Premere uno dei pulsanti CALIBRATED PRESET.



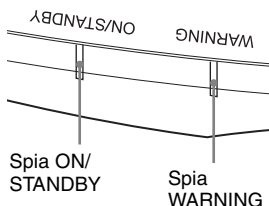
Voci di impostazione	Descrizione
CINEMA FILM 1	Qualità dell'immagine adatta per riprodurre le immagini nitide e altamente dinamiche tipiche della pellicola positiva master.
CINEMA FILM 2	Qualità dell'immagine adatta per riprodurre la ricca tonalità e il colore tipici del cinema, in base a Cinema Film 1.
REF	Un'impostazione di qualità immagine adatta per la riproduzione fedele della qualità dell'immagine originale, oppure per ottenere la qualità dell'immagine senza regolazioni.
TV	Qualità dell'immagine adatta per guardare programmi televisivi, sport, concerti e altre immagini video.
PHOTO	Ideale per proiettare fotografie scattate con una fotocamera digitale.
GAME	Qualità dell'immagine adatta per giochi, con colori ben modulati e rapidità della risposta.
BRT CINE	Qualità dell'immagine adatta per guardare film in un ambiente luminoso, ad esempio un soggiorno.
BRT TV	Qualità dell'immagine adatta per guardare programmi televisivi, sport, concerti e altri video in un ambiente luminoso, ad esempio un soggiorno.
USER	Consente di regolare la qualità dell'immagine in base ai propri gusti e di salvare l'impostazione. L'impostazione predefinita è uguale a "REF".

Per i dettagli, consultare "Proiezione" nelle Istruzioni per l'uso sul CD-ROM in dotazione.

Gestione degli errori

Spie di avvertenza

La spia ON/STANDBY o WARNING si illumina o lampeggia in caso di problemi del proiettore.



Spie illuminate/lampeggianti	Numero di lampeggi	Causa e rimedio
 (Si illumina in rosso)	Due volte	Chiudere saldamente il coperchio della lampada, quindi serrare saldamente le viti.
 (Lampeggia in rosso)	Tre volte	La temperatura della lampada è insolitamente alta. Spegner e attendere che la lampada si raffreddi, quindi riaccendere l'alimentazione. Se il sintomo persiste, la lampada potrebbe essere giunta al termine della durata utile. In questo caso, sostituire la lampada con una nuova.
 (Lampeggia in rosso)	Due volte	La temperatura interna è insolitamente elevata. Verificare che le prese di ventilazione non siano ostruite oppure se l'unità viene usata a quota elevata.
 (Lampeggia in rosso)	Tre volte	La ventola è guasta. Rivolgersi a personale Sony qualificato.
Entrambe le spie lampeggiano		

Nota

Se il problema persiste anche dopo aver effettuato le precedenti operazioni, rivolgersi a personale Sony qualificato.

Se le spie lampeggiano in modo differente da quello indicato sopra, spegnere e riaccendere utilizzando il pulsante (On/Standby) sul telecomando o sul pannello di controllo dell'unità.

Se il sintomo si presenta nuovamente, rivolgersi a personale Sony qualificato.

Per eventuali problemi o a seguito della comparsa di un messaggio d'errore sullo schermo, consultare "Gestione degli errori" nelle Istruzioni per l'uso sul CD-ROM in dotazione.

Manutenzione

La lampada che costituisce la sorgente luminosa ha una determinata vita utile. Se la luminosità della lampada diminuisce, il bilanciamento del colore dell'immagine è anormale, oppure appare sullo schermo "Sostituire la lampada.", la lampada potrebbe essere esaurita. Sostituire subito la lampada con una nuova (non in dotazione).

Suggerimento

La durata della lampada utilizzata come sorgente luminosa varia in funzione dell'ambiente di installazione o delle condizioni di utilizzo. La durata della lampada può essere estesa evitando di spegnerla prima che siano passati alcuni minuti dall'accensione.

Attrezzatura necessaria:

- Lampada per proiettore (opzionale)
VPL-VW570ES: LMP-H280
VPL-VW270ES: LMP-H220
- Normale cacciavite con punta a croce
- Panno (per evitare i graffi)

Attenzione

- La lampada è ancora calda dopo aver spento l'unità con il pulsante I/⏻ (ON/STANDBY). Toccando la lampada, ci si potrebbe ustionare le dita. Quando si sostituisce la lampada, aspettare almeno 1 ora che si raffreddi.
- Non toccare la superficie della lampada. Se venisse toccata, pulire le ditate con un panno morbido.
- Prestare particolare attenzione alla sostituzione della lampada di un'unità installata sul soffitto.
- Quando si sostituisce la lampada di un'unità installata sul soffitto, non sostare direttamente sotto il coperchio della lampada. Cercare di non torcere lo sportello della lampada (coperchio interno) quando lo si rimuove. Se la lampada esplose, i frammenti possono provocare lesioni.
- Per rimuovere l'unità della lampada, mantenerla orizzontale e tirare direttamente verso l'alto. Non inclinare l'unità della lampada. Se tirando fuori l'unità della lampada in posizione

inclinata la lampada si rompe, i frammenti potrebbero disperdersi e provocare lesioni.

Note


- Accertare di utilizzare una lampada per proiettore specificata per la sostituzione. Usando lampade diverse da quella specificata, l'unità potrebbe guastarsi.
- Prima di sostituire la lampada, spegnerla e scollegare il cavo di alimentazione, quindi verificare che l'indicatore ON/STANDBY sia già spento.

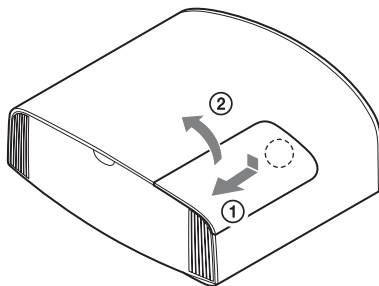
Sostituzione della lampada

- 1 Spegner l'unità e scollegare il cavo di alimentazione c.a.
- 2 Quando si posa l'unità su un piano quale una scrivania ecc., usare un panno per evitare di graffiarne la superficie. Posizionare l'unità sul panno.

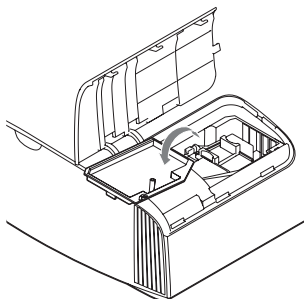
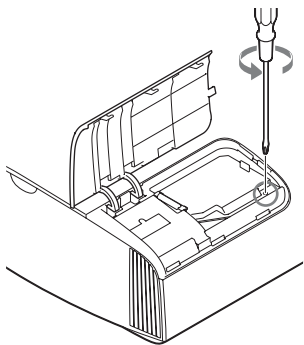
Nota

Controllare che l'unità sia posata su un piano stabile.

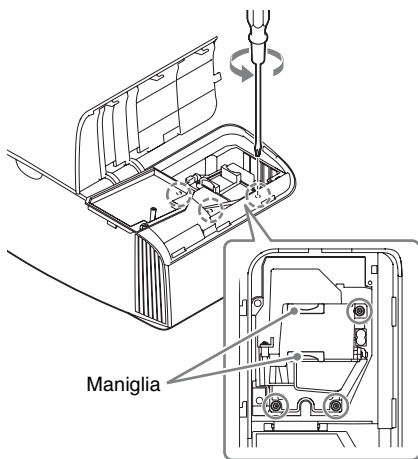
- 3 Quando si preme la parte  indicata nell'illustrazione del coperchio della lampada, far scorrere ① quindi aprire ② il coperchio.



- 4 Allentare la vite dello sportello della lampada (coperchio interno) con un cacciavite Phillips, quindi aprire lo sportello.



- 5** Allentare le 3 viti sulla lampada con il cacciavite Phillips. Sollevare la maniglia, quindi tirare fuori la lampada direttamente verso l'alto.

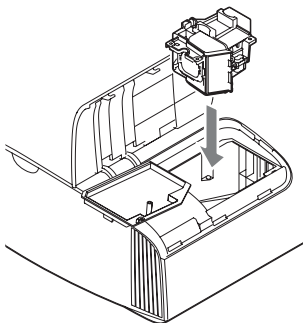


Note

- Non allentare altre viti oltre alle 3 specificate.

- Tenere la lampada dalla maniglia per rimuoverla e fissarla.

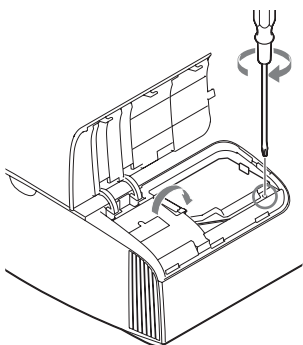
- 6** Spingere a fondo la nuova lampada con la maniglia e stringere le 3 viti.



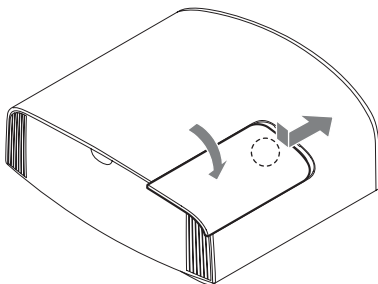
Nota

Prestare attenzione a non toccare il blocco ottico all'interno dell'unità.

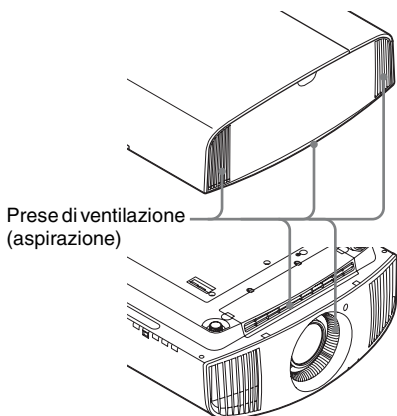
- 7** Chiudere lo sportello della lampada (coperchio interno), quindi serrare la vite.



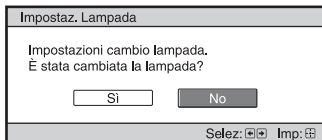
- 8** Chiudere il coperchio della lampada.



- 9 Togliere la polvere dalle prese di ventilazione (aspirazione) usando un panno morbido.



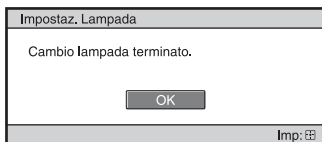
- 10 Accendere l'unità, quindi selezionare la voce di impostazione lampada nel menu Impostazione . Verrà visualizzata la schermata di menu che segue.



Suggerimento

Se "Blocco impost." è impostato su "Livello B" impostare su "Disin." una volta.

- 11 Selezionare "Sì".



Attenzione

Non infilare le mani nella sede di sostituzione della lampada e fare in modo che non ci cadano dei liquidi o degli oggetti per evitare scossa elettrica o incendio.

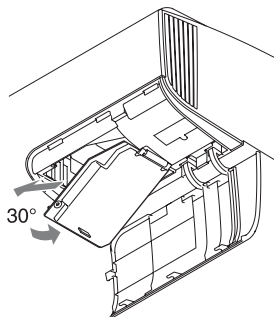
Note

- L'unità non si accenderà se la lampada non è montata saldamente in posizione.
- L'unità non si accenderà se il coperchio della lampada non è chiuso saldamente.
- Per cancellare un messaggio visualizzato sullo schermo, premere una volta un pulsante qualsiasi sul telecomando o sul pannello di controllo dell'unità.

Nota sulla sostituzione di una lampada rotta nel caso di un'installazione a soffitto

Se la lampada si rompe, i frammenti possono spargersi e causare lesioni.

Se l'unità è montata sul soffitto, rimuovere lo sportello della lampada (coperchio interno) facendolo scorrere lentamente in orizzontale dopo averlo sollevato di 30 gradi. Cercare di non torcere lo sportello della lampada (coperchio interno).



Nota

La lampada contiene del mercurio. Le norme per lo smaltimento dei tubi fluorescenti esauriti dipendono dal paese di residenza. Seguire le regolamentazioni di smaltimento dei rifiuti applicabili nel proprio paese.

О документе Краткое справочное руководство

В данном документе Краткое справочное руководство описана установка и основные операции для проецирования изображений. В этом руководстве также содержатся важные примечания и предупреждения, которым следует уделять особое внимание при обращении с аппаратом и его эксплуатации. При необходимости см. “Предупреждающие индикаторы” и “Замена лампы”. Для получения дополнительной информации об операциях см. документ Инструкция по эксплуатации, содержащийся на прилагаемом компакт-диске.

Шаг 1.

Подготовка Стр. 10

Шаг 2.

Установка устройства Стр. 11

Шаг 3.

Подключение устройства..... Стр. 13

Шаг 4.

Выбор языка меню..... Стр. 14

Шаг 5.

Проецирование Стр. 15

Устранение ошибок

Предупреждающие индикаторы Стр. 17

Техническое обслуживание

Замена лампы..... Стр. 18

**Видеопроектор
VPL-VW570ES
VPL-VW270ES**

Перед использованием устройства внимательно прочитайте настоящее руководство и сохраните его для получения необходимой информации в будущем.

ПРЕДУПРЕЖДЕНИЕ

Для снижения риска возгорания и поражения электрическим током не допускайте воздействия на аппарат влаги и сырости. Чтобы исключить риск поражения электрическим током, не вскрывайте корпус. Обслуживание аппарата должны выполнять только квалифицированные специалисты.

ПРЕДУПРЕЖДЕНИЕ

Данное устройство должно быть заземлено.

ПРЕДУПРЕЖДЕНИЕ

Данное устройство не имеет переключателя питания. При установке устройства используйте легкодоступный прерыватель питания с фиксированной проводкой или подключите провод питания к легкодоступной настенной розетке, расположенной рядом с устройством. Если в процессе эксплуатации блока возникнет неисправность, с помощью прерывателя отключите питание, или отсоедините провод питания.

ВНИМАНИЕ

В целях безопасности не подключайте разъем проводки периферийных устройств, который может подать чрезмерное напряжение на следующий порт: разъем LAN

ПРЕДУПРЕЖДЕНИЕ

1. Используйте разрешенные к применению шнур питания (с 3-жильным силовым проводом) / разъем для подключения бытовых приборов / штепсельную вилку с заземляющими контактами, соответствующие действующим нормам техники безопасности каждой отдельной страны.
2. Используйте шнур питания (с 3-жильным силовым проводом) / разъем для подключения бытовых приборов / штепсельную вилку, соответствующие допустимым номинальным характеристикам (напряжение, сила тока).

В случае вопросов относительно использования упомянутых выше шнура питания / разъема для подключения бытовых приборов / штепсельной вилки, пожалуйста, обращайтесь к квалифицированным специалистам по сервисному обслуживанию.

ВНИМАНИЕ

- При неправильной замене элементов питания возникает опасность взрыва. Используйте для замены только идентичные или эквивалентные элементы питания, рекомендуемые изготовителем.
- При утилизации аккумулятора или изделия следует соблюдать законы соответствующей страны или соответствующего региона. Не утилизируйте аккумулятор или изделие в огне или в горячей печи, не уничтожайте их механическим путем и не разрезайте аккумулятор. Он может взорваться или привести к пожару. Не подвергайте аккумулятор воздействию чрезвычайно низкого атмосферного давления, которое может привести к взрыву или утечке воспламеняющейся жидкости или воспламеняющегося газа.
- Не размещайте аккумулятор в местах с высокой температурой, например под воздействием прямых

солнечных лучей или возле огня. Он может загореться, взорваться или привести к пожару. Не подвергайте аккумулятор воздействию воды. Это может привести к поражению электрическим током.

ВНИМАНИЕ

Для пульта дистанционного управления требуется следующее число аккумуляторов следующего размера.

- размера AA (R6);
- количестве 2 шт.

Чтобы избежать опасности взрыва, используйте только аккумуляторы следующего типа.

- размера AA (R6), марганцевые или щелочные.

Соблюдайте осторожность при замене/утилизации элементов питания для 3D-очков

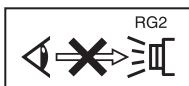
При неправильной замене элементов питания возникает опасность взрыва. Используйте для замены только идентичные или эквивалентные элементы питания, рекомендуемые изготовителем.

При утилизации отработанных элементов питания необходимо следовать правилам, действующим в соответствующем регионе или стране.

О 3D-очках

3D-очки взаимодействуют с проектором по технологии Bluetooth v.3.0 для отображения 3D-сигналов.

- а) работающий в диапазоне 2400 - 2483.5 МГц
- б) максимальную выходную мощность 4.30 dBm (E.I.R.P.)



Как и в случае с любым источником яркого света, не смотрите прямо на луч, RG2 IEC 62471-5:2015.

1-7-1 Конан Минато-ку Токио, 108-0075 Япония

Сделано в Китае

Импортер на территории стран Таможенного союза
АО «Сони Электроникс», Россия,
123103, Москва, Карамышевский проезд, 6

Это устройство является проектором для проецирования изображений с подключаемого компьютера или видеоборудования.

Условия краткосрочного хранения:
Хранить в темных, сухих, чистых, вентилируемых помещениях, изолированными от мест хранения кислот и щелочей.

Хранить вдали от источников тепла и влаги во избежание конденсации.

- Хранить при температуре от -20°C до $+60^{\circ}\text{C}$.

- Хранить при относительной влажности не более 10% до 90%, без образования конденсата.

Срок хранения не установлен.

Транспортировать в оригинальной упаковке, во время транспортировки не бросать, оберегать от падений, ударов, не подвергать излишней вибрации.

Если неисправность не удастся устранить следуя данной инструкции – обратитесь в ближайший авторизованный SONY центр по ремонту и обслуживанию.

Это устройство поддерживает технологии беспроводной связи для частотного диапазона 2,4 ГГц.

Год выпуска: см. информационную табличку на изделии или упаковочной коробке.

Пример (2016-01): 2016: год, 01: месяц

ЗАО "Сони Электроникс"
Россия, 123103, Москва,
Карамышевский проезд 6
Тел. +7 495 258 7667, Факс
+7 495 258 7650

SONY

Сони Корпорейшн

Қазақстан, Алматы қаласы, Иванилов көшесі, 58, 050059
тел. +7 (727) 3201145, факс
+7 (727) 3201149

Реализацию осуществлять в соответствии с действующими требованиями законодательства. Отслужившее изделие утилизировать в соответствии с действующими требованиями законодательства.

Меры предосторожности

Безопасность

- Проверьте, соответствует ли рабочее напряжение вашего устройства напряжению питания местной электрической сети.
- В случае попадания внутрь корпуса каких-либо жидкостей или посторонних предметов отсоедините устройство от электрической сети и обратитесь к квалифицированному персоналу для его проверки перед дальнейшей эксплуатацией.
- Выключите устройство из сетевой розетки, если не планируете использовать его в течение нескольких дней.
- При отключении шнура тяните его за вилку. Никогда не тяните непосредственно за шнур.
- Сетевая розетка должна находиться возле устройства и быть легко доступной.
- Пока устройство подключено к источнику переменного тока, на него по-прежнему подается электропитание, даже если само устройство выключено.
- Не смотрите в объектив проектора при включенной лампе.
- Не подносите руки или предметы к вентиляционным отверстиям. Из них выходит горячий воздух.

О предотвращении внутреннего перегрева

После выключения питания с помощью кнопки I/O (ON/STANDBY) не отключайте устройство от сетевой розетки, пока работает вентилятор.

Осторожно

Данное устройство оборудовано вентиляционными отверстиями (впускными и выпускными). Не блокируйте и не располагайте ничего возле этих отверстий, в противном случае возможен внутренний

перегрев, что приведет к ухудшению изображения или повреждению устройства.

О повторной упаковке

Сохраните оригинальную транспортировочную упаковку, она потребуется при возможной транспортировке устройства. Для максимальной защиты повторно упакуйте устройство так, как оно было упаковано на заводе.

Просмотр видеоизображений 3D

Правила техники безопасности

- 3D-очки можно использовать только для просмотра 3D-видеоизображений.
- Если вы ощущаете мерцание или мигание света, выключите освещение в комнате.
- Запрещается использование детьми без присмотра взрослых.
- Соблюдайте осторожность, чтобы при складывании дужек 3D-очков не прищемить пальцы.
- Не роняйте и не модифицируйте эти 3D-очки.
- Если очки разбились, не допускайте попадания осколков в рот или в глаза.

Жидкокристаллический проектор

ЖК-проектор создан с использованием высокоточных технологий. Однако, на экране ЖК-проектора могут периодически появляться мелкие черные и/или яркие (красные, синие или зеленые) точки. Этот эффект является нормальным результатом производственного процесса и не свидетельствует о неисправности. Кроме того, при использовании для проецирования на один экран нескольких ЖК-проекторов, даже одной модели, цветопередача разных проекторов может отличаться, так как баланс цвета на них может быть настроен по-разному.

О конденсации

При быстром изменении температуры в помещении, в котором установлен проектор, или при быстром перемещении проектора из холодного в теплое место внутри него может образоваться конденсат. Так как конденсат может привести к неисправности, соблюдайте осторожность при изменении настроек температуры кондиционера. При образовании конденсата перед использованием проектора оставьте его включенным приблизительно на два часа.

Примечания о безопасности

- КОМПАНИЯ SONY НЕ НЕСЕТ ОТВЕТСТВЕННОСТИ ЗА КАКОЙ БЫ ТО НИ БЫЛО УЩЕРБ, ВОЗНИКШИЙ ВСЛЕДСТВИЕ НЕСОБЛЮДЕНИЯ МЕР ПРЕДОСТОРОЖНОСТИ ПРИ ИСПОЛЬЗОВАНИИ УСТРОЙСТВ ПЕРЕДАЧИ ДАННЫХ, НЕИЗБЕЖНЫХ УТЕЧЕК ИНФОРМАЦИИ, СВЯЗАННЫХ СО СПЕЦИФИКАЦИЯМИ ПЕРЕДАЧИ ДАННЫХ, ИЛИ ПРОБЛЕМ БЕЗОПАСНОСТИ ЛЮБОГО РОДА.
- В зависимости от операционной среды возможен несанкционированный доступ посторонних лиц к устройству. При подключении устройства к сети убедитесь в том, что сеть надежно защищена.
- При использовании устройства, подключенного к сети, в целях безопасности рекомендуется открыть окно управления с помощью веб-браузера и изменить заводские настройки по умолчанию для ограничения доступа (см. раздел “Использование сетевых функций” в документе “Инструкция по эксплуатации”). Кроме того, рекомендуется регулярно менять пароль.

- Во время установки настроек и после ее завершения не заходите на какие-либо веб-сайты через веб-браузер. Поскольку состояние входа сохраняется в браузере, по завершении настроек закройте веб-браузер, чтобы предотвратить несанкционированный доступ посторонних лиц к устройству и воздействие вредоносного программного обеспечения.

КОМПАНИЯ SONY НЕ НЕСЕТ ОТВЕТСТВЕННОСТИ ЗА КАКОЙ БЫ ТО НИ БЫЛО УЩЕРБ, ВЫЗВАННЫЙ ПРИМЕНЕНИЕМ ДАННОГО УСТРОЙСТВА В УСЛОВИЯХ, ОТЛИЧНЫХ ОТ ОБЩЕГО ДОМАШНЕГО ИСПОЛЬЗОВАНИЯ, КАК В ПЕРИОД ДЕЙСТВИЯ ГАРАНТИИ, ТАК И ПОСЛЕ ЕГО ОКОНЧАНИЯ.

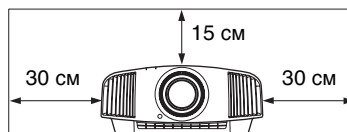
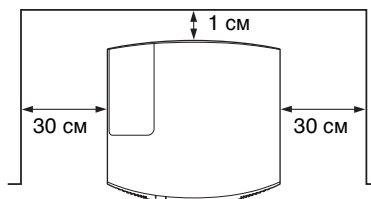
Примечания по установке и эксплуатации

Недопустимые варианты установки

Не размещайте устройство в следующих условиях, которые могут привести к неисправности или повреждению устройства.

Рядом со стенами

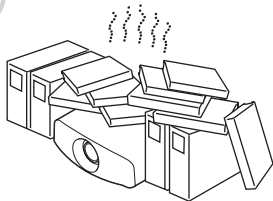
Для обеспечения производительности и надежности устройства оставьте место между стенами и устройством, как показано на рисунке.



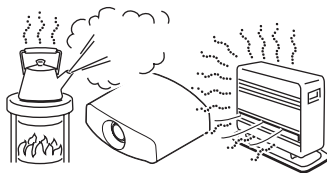
Воздух из кондиционера или вентиляционных отверстий данного аппарата или других устройств может привести к колебаниям экрана. Не устанавливайте данный аппарат в месте, где воздух из кондиционера или вентиляционных отверстий устройств попадает на переднюю сторону аппарата.

Помещение с плохой вентиляцией

Оставьте вокруг устройства минимальное пространство в 30 см.

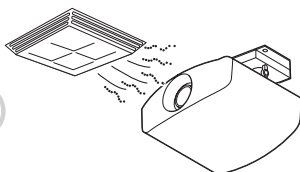


Жаркое и влажное помещение



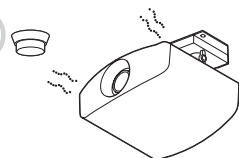
Помещения, подверженные воздействию потока холодного или теплого воздуха из кондиционера

Установка в таком месте может привести к неисправности устройства вследствие конденсации влаги или повышения температуры.

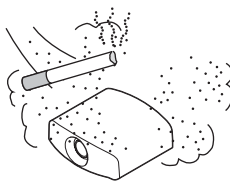


Рядом с датчиком тепла или дыма

Это может привести к ложному срабатыванию датчика.



Сильно запыленные или сильно задымленные помещения



Недопустимые условия эксплуатации

При использовании данного устройства запрещается выполнять следующие операции.

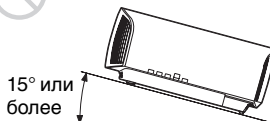
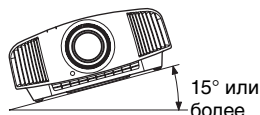
Наклон вперед/назад и вправо/влево

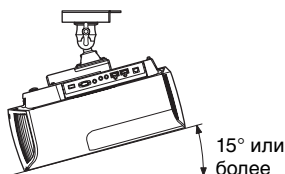
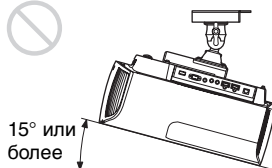
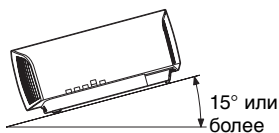
Избегайте использования устройства с наклоном под углом более 15 градусов.

Устанавливайте устройство только на ровной поверхности или на потолке. Установка устройства в таком месте может привести к искажению цветов или снижению надежности работы лампы.


Если устройство наклонено вверх или вниз, изображение на экране может быть трапециевидным.

Расположите устройство таким образом, чтобы объектив находился параллельно экрану.





Установка устройства на большой высоте над уровнем моря

При использовании устройства на высоте 1500 м или выше установите для параметра “Режим выс.пол” в меню “Настройка”  значение “Вкл”. Если не установить этот режим при использовании устройства высоко над уровнем моря, это может привести к неблагоприятным последствиям, например к уменьшению надежности некоторых компонентов.

Меры предосторожности при установке устройства на потолке

- Не пытайтесь установить проектор на потолке или переместить его самостоятельно. Обязательно проконсультируйтесь с квалифицированным персоналом компании Sony, компетентным в данном вопросе.

- Устанавливая устройство на потолке, обязательно используйте страховочный шнур или другие средства для предотвращения падения устройства. Доверьте установку опытному специалисту по монтажу.

Информация для дилеров

- Для установки проектора на потолке необходимо использовать кронштейн производства компании Sony или аналогичное рекомендованное крепление.
- При установке на потолок плотно закрывайте крышку корпуса.


Проверка аксессуаров из комплекта поставки

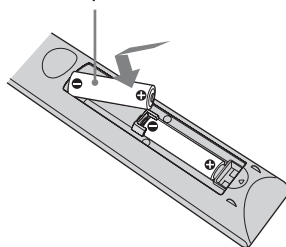
Проверьте упаковку на наличие следующих элементов.

- Пульт дистанционного управления (1)
VPL-VW570ES: RM-PJ24
VPL-VW270ES: RM-PJ28
- Марганцевые батарейки размера AA (R6) (2)
- Крышка объектива (1)
При покупке проектора крышка объектива надета на объектив. Перед использованием проектора снимите крышку объектива.
- Кабель питания переменного тока (1)
- Краткое справочное руководство (данное руководство) (1)
- Инструкция по эксплуатации (компакт-диск) (1)

Установка батарей в пульт дистанционного управления



Вставьте батареи стороной .



Предупреждение относительно использования пульта дистанционного управления

- Бережно обращайтесь с пультом дистанционного управления. Не бросайте его, не наступайте на него и не проливайте на него никакие жидкости.
- Не оставляйте пульт дистанционного управления вблизи источников тепла или в месте, подверженном прямому воздействию солнечных лучей, или во влажном помещении.

Использование руководства на компакт-диске

Руководство можно открыть с помощью компьютера, на котором установлена программа Adobe Reader. Программу Adobe Reader можно бесплатно скачать с веб-сайта Adobe.

- 1 Откройте файл `index.html` на компакт-диске.
- 2 Выберите нужное руководство и щелкните по нему.

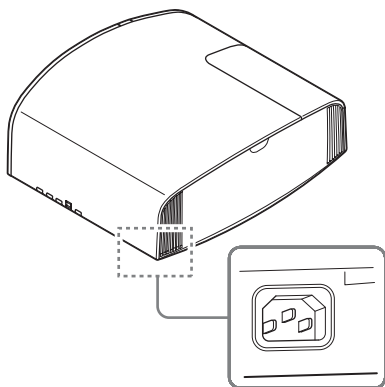
Примечание

В случае утери или повреждения компакт-диска новый диск можно приобрести у ближайшего дилера Sony или в сервисном центре Sony.

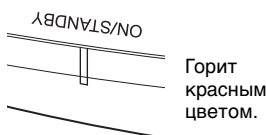
1 Расположите устройство таким образом, чтобы объектив находился параллельно экрану.

2 После подключения кабеля питания переменного тока к устройству подключите кабель питания переменного тока к сетевой розетке.

Задней части устройства



Передней части устройства

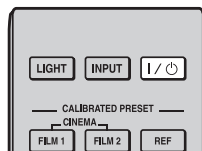


Примечание

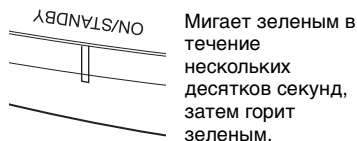
После подключения кабеля переменного тока к устройству индикатор ON/STANDBY может мигать оранжевым.

Управление устройством может быть невозможным, если индикатор мигает, однако это не является неисправностью. Дождитесь, пока индикатор перестанет мигать и начнет гореть красным.

3 Нажмите кнопку I/O (ON/STANDBY), чтобы включить устройство.



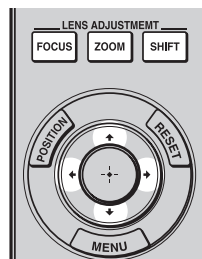
Передняя часть устройства



Мигает зеленым в течение нескольких десятков секунд, затем горит зеленым.

4 Выполните проецирование изображения на экран, затем отрегулируйте фокус, размер и положение.

VPL-VW570ES



1 Отрегулируйте фокусное расстояние.

Нажмите кнопку LENS ADJUSTMENT (FOCUS), чтобы отобразить окно регулировки “Фокус объект?” (тестовый образец). Отрегулируйте затем фокус изображения с помощью кнопок ↑/↓/←/→.

2 Отрегулируйте размер изображения.

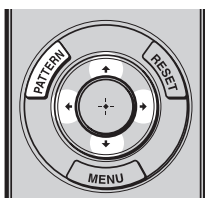
Нажмите кнопку LENS ADJUSTMENT (ZOOM), чтобы отобразить окно регулировки “Вариообъектив” (тестовый

образец). Отрегулируйте затем размер изображения с помощью кнопок $\uparrow/\downarrow/\leftarrow/\rightarrow$.

3 Отрегулируйте положение изображения.

Нажмите кнопку LENS ADJUSTMENT (SHIFT), чтобы отобразить окно регулировки “Сдвиг объект.” (тестовый образец). Отрегулируйте надлежащее положение изображения с помощью кнопок $\uparrow/\downarrow/\leftarrow/\rightarrow$.

VPL-VW270ES



1 Отрегулируйте фокусное расстояние.

Последовательно нажимайте кнопку PATTERN для отображения окна регулировки “Фокус объект.” (тестовый образец). Отрегулируйте затем фокус изображения с помощью кнопок $\uparrow/\downarrow/\leftarrow/\rightarrow$.

2 Отрегулируйте размер изображения.

Последовательно нажимайте кнопку PATTERN для отображения окна регулировки “Вариообъектив” (тестовый образец). Отрегулируйте затем размер изображения с помощью кнопок $\uparrow/\downarrow/\leftarrow/\rightarrow$.

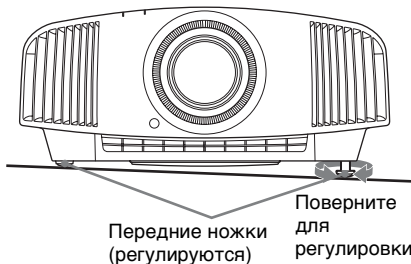
3 Отрегулируйте положение изображения.

Последовательно нажимайте кнопку PATTERN для отображения окна регулировки “Сдвиг объект.” (тестовый образец). Отрегулируйте надлежащее положение

изображения с помощью кнопок $\uparrow/\downarrow/\leftarrow/\rightarrow$.

Регулировка наклона поверхности установки

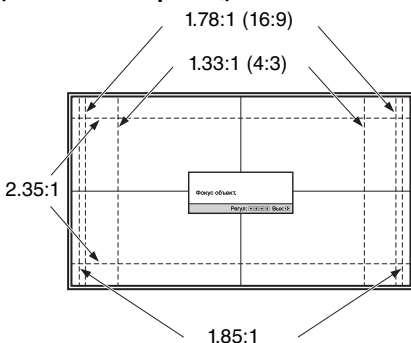
Если устройство установлено на неровной поверхности, используйте передние ножки (регулируемые), чтобы поддержать ровное положение устройства.



Примечания

- Если устройство наклонено вверх или вниз, проецируемое изображение может быть трапецеидальным.
- Будьте осторожны, чтобы не защемить пальцы при повороте передних ножек (регулируемые).

Окно регулировки объектива (тестовый образец)

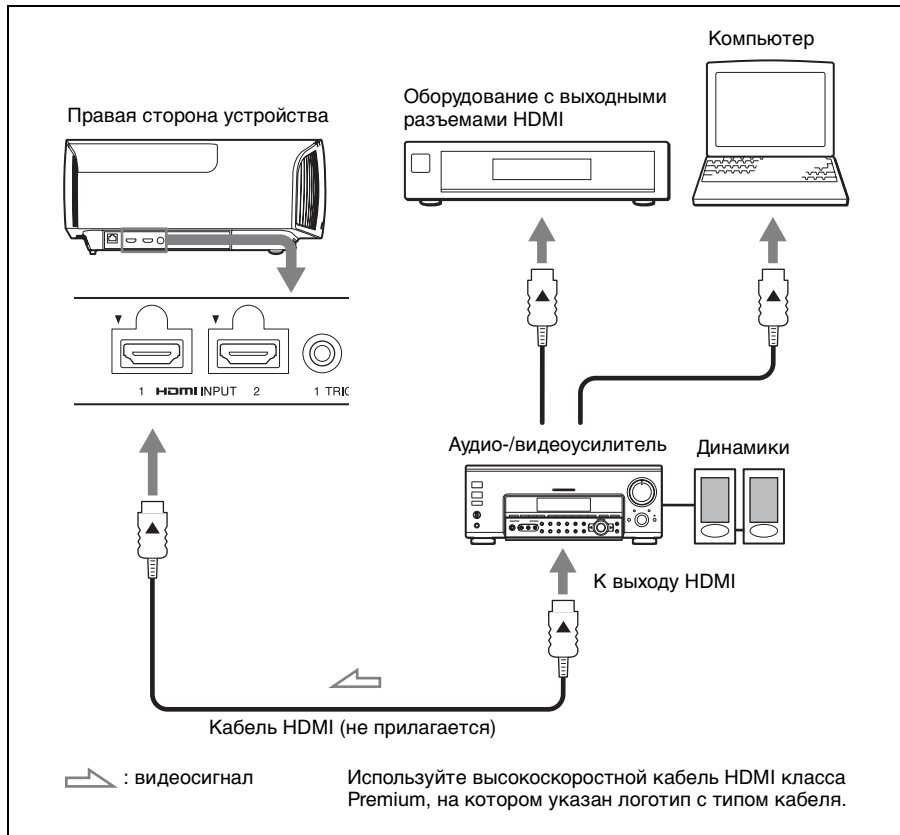


Пунктирные линии указывают на размеры экрана каждого форматного соотношения.

Для получения дополнительной информации см. раздел “Соединения и подготовка” в документе Инструкция по эксплуатации, содержащемся на прилагаемом компакт-диске.

При подключении выполните следующие действия.

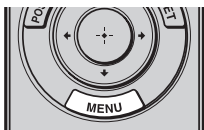
- Выключите все оборудование перед выполнением любых подключений.
- Используйте соответствующий кабель для каждого соединения.
- Вставьте штекеры кабеля надлежащим образом; ненадежное соединение штекеров может привести к неисправности или низкому качеству изображения. При отсоединении кабеля тяните за штекер, а не за сам кабель.
- См. инструкции по эксплуатации подключенного оборудования.



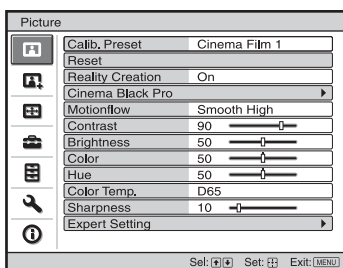
Для получения дополнительной информации см. раздел “Соединения и подготовка” в документе Инструкция по эксплуатации, содержащемся на прилагаемом компакт-диске.

Можно выбрать язык для отображения меню и других экранных индикаторов. По умолчанию установлен английский язык. Для изменения текущего языка меню выберите необходимый язык в экране меню.

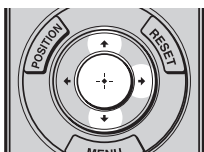
1 Нажмите кнопку MENU.



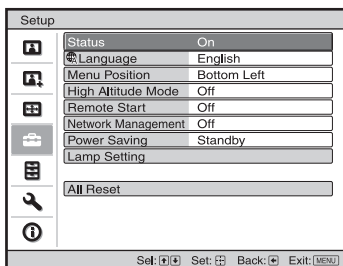
Появится меню.



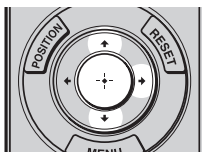
2 Нажмите ↑/↓, чтобы выбрать меню Setup , затем нажмите → или ⏏.



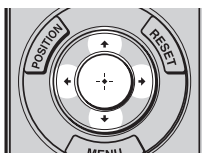
Отобразятся настройки элементов выбранного меню.



3 Нажмите ↑/↓, чтобы выбрать “Language”, затем нажмите → или ⏏.



4 Нажмите ↑/↓/←/→, чтобы выбрать язык, затем нажмите ⏏.



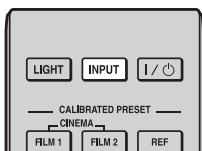
Язык меню изменится на выбранный язык.

Заккрытие меню

Нажмите кнопку MENU.

Проецирование изображения

- 1 Включите устройство и оборудование, подключенное к устройству.
- 2 Нажмите INPUT для отображения панели входа на экране.



- 3 Выберите оборудование, с которого следует отображать изображения. Нажимайте повторно INPUT или нажмите $\uparrow/\downarrow/\oplus$ (ввод) для выбора оборудования, с которого следует выполнять проецирование.



Пример: для просмотра изображения с видеоборудования, подключенного к разъему HDMI 1 данного устройства.

Выключение питания

- 1 Нажмите кнопку I/⏻ (ON/STANDBY).
На экране отобразится сообщение “ПИТАНИЕ ВЫКЛ?”
- 2 Нажмите кнопку I/⏻ (ON/STANDBY) еще раз до того, как сообщение исчезнет.
Индикатор ON/STANDBY будет мигать зеленым, а вентилятор продолжать работать для внутреннего охлаждения.

Вентилятор остановится, а индикатор ON/STANDBY изменит состояние, он перестанет мигать зеленым и будет гореть красным.

Питание будет полностью отключено, можно отсоединить кабель питания переменного тока.

Примечание

Никогда не отсоединяйте кабель питания переменного тока, когда мигает индикатор.

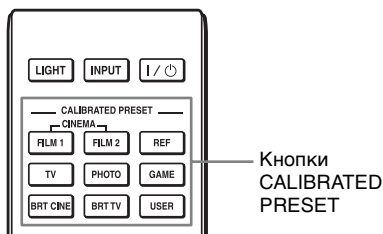
Совет

Можно отключить устройство, удерживая кнопку I/⏻ (ON/STANDBY) в течение около 1 секунды, не выполняя вышеуказанные действия.

Для получения дополнительной информации см. раздел “Проецирование” в документе Инструкция по эксплуатации, содержащемся на прилагаемом компакт-диске.

Выбор режима просмотра изображений

Нажмите одну из кнопок CALIBRATED PRESET.



Настраиваемые элементы	Описание
CINEMA FILM 1	Качество изображения, подходящее для воспроизведения высокодинамичных и четких изображений, типичных для позитивов.
CINEMA FILM 2	Качество изображения, подходящее для воспроизведения насыщенных и цветных изображений, типичных для кинотеатров, на основе параметра “Кинофильм 1”.
REF	Настройка качества изображения, подходящая для воспроизведения достоверного оригинального изображения или отображения качества изображения без каких-либо регулировок.
TV	Качество изображения, подходящее для просмотра телевизионных программ, спортивных мероприятий, концертов и других видеоизображений.
PHOTO	Идеально подходит для проецирования фотоснимков, снятых цифровой камерой.
GAME	Качество изображения, подходящее для игр с хорошо модулированными цветами и малым временем отклика.
BRT CINE	Качество изображения, подходящее для просмотра фильмов в условиях яркого освещения, например в гостиной.
BRT TV	Качество изображения, подходящее для просмотра телевизионных программ, спортивных мероприятий, концертов и других видеоизображений в условиях яркого освещения, например в гостиной.
USER	Регулировка качества изображения в соответствии с предпочтениями пользователя и сохранение этой настройки. По умолчанию настройка совпадает с “REF”.

Для получения дополнительной информации см. раздел “Проецирование” в документе Инструкция по эксплуатации, содержащемся на прилагаемом компакт-диске.

Устранение ошибок

Предупреждающие индикаторы

Индикатор ON/STANDBY или WARNING загорается или мигает в случае неисправности проектора.



Мигают/горят индикаторы	Число миганий	Вероятная причина и метод устранения
<p>(Горит красным цветом) (Мигает красным)</p>	Два Три раза	Надежно закройте крышку лампы, затем надежно затяните винты. Чрезмерно высокая температура лампы. Выключите питание, дайте лампе остыть, затем снова включите питание. Если симптомы остались, возможно, подходит конец срока службы лампы. В этом случае установите новую лампу.
<p>(Мигает красным) (Мигает красным)</p> <p>Оба индикатора мигают</p>	Два Три раза	Необычно высокая внутренняя температура. Убедитесь, что ничто не блокирует вентиляционные отверстия и устройство не используется высоко над уровнем моря. Вентилятор вышел из строя. Обратитесь к квалифицированному персоналу Sony.

Примечание

Если симптомы остаются даже после выполнения вышеуказанных действий, обратитесь к квалифицированному персоналу компании Sony.

Если индикатор начинает мигать иначе, чем описано выше, выключите и снова включите питание с помощью кнопки I/O (вкл./режим ожидания) на пульте ДУ или панели управления устройства.

Если симптом снова появляется, обратитесь к квалифицированному персоналу компании Sony.

При возникновении каких-либо проблем или отображении сообщения об ошибке на экране см. раздел “Устранение ошибок” в документе Инструкция по эксплуатации, содержащемся на прилагаемом компакт-диске.

Лампа, используемая в качестве источника питания, имеет определенный срок службы. Если лампа тускнеет, баланс цвета становится странным или на экране отображается сообщение “Замените, пожалуйста, лампу”, подошел конец срока службы лампы. Замените лампу на новую (не прилагается) без задержки.

Совет

Срок службы лампы, используемой в качестве источника света, изменяется в зависимости от среды установки и условий использования. Срок службы лампы можно увеличить, если не выключать лампу в течение нескольких минут после ее включения.

Потребуется следующие инструменты:

- Лампа проектора (дополнительно)
VPL-VW570ES: LMP-H280
VPL-VW270ES: LMP-H220
- Стандартная крестообразная отвертка
- Ткань (для защиты от царапин)

Осторожно

- После выключения устройства с помощью кнопки I/⏻ (ON/STANDBY) лампа остается горячей. Касание лампы может привести к ожогу пальцев. Перед заменой лампы подождите как минимум 1 час, чтобы дать лампе остыть.
- Не прикасайтесь к поверхности лампы. При касании сотрите отпечатки пальцев мягкой тканью.
- Соблюдайте особую осторожность при замене лампы, если устройство установлено на потолке.
- При замене лампы устройства, установленного на потолке, не вставляйте непосредственно под крышкой лампы. При снятии дверцы лампы (внутренняя крышка), следите, чтобы она не крутилась. В случае взрыва лампы

фрагменты могут стать причиной травмы.

- При извлечении лампы удерживайте ее в горизонтальном положении, а затем поднимите прямо вверх. Не наклоняйте лампу. Если во время извлечения лампы под наклоном лампа разобьется, разлетающиеся осколки могут причинить травму.

Примечания


- Обязательно используйте для замены указанную лампу проектора. Использование ламп, отличных от указанной лампы проектора, может привести к неисправности проектора.
- Выключите устройство и отсоедините кабель питания перед заменой лампы, убедитесь, что индикатор ON/STANDBY не горит.

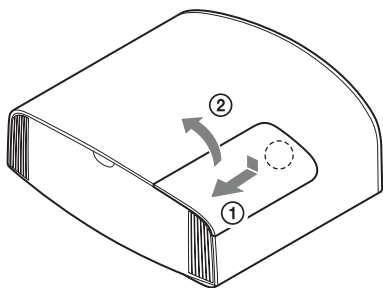
Замена лампы

- 1 Выключите питание и выключите из розетки вилку кабеля питания переменного тока.
- 2 При установке устройства на плоской поверхности, например на столе и т.д., положите ткань во избежание появления царапин на поверхности. Положите устройство на ткань.

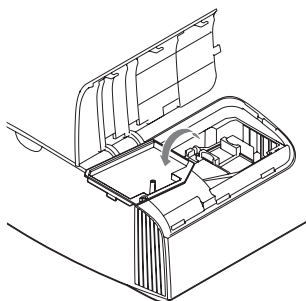
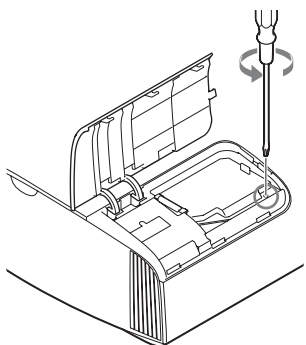
Примечание

Убедитесь, что устройство расположено на устойчивой поверхности.

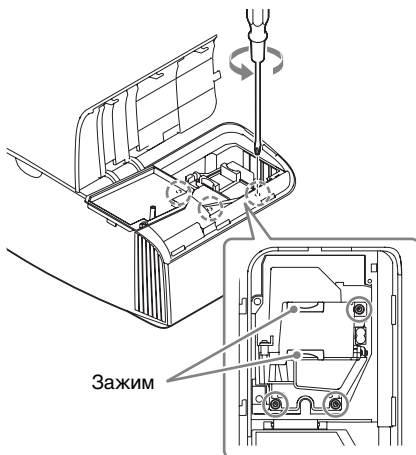
- 3** При нажатии части , указанной на рисунке крышки лампы, сдвиньте **1** и откройте крышку лампы **2**.



- 4** Ослабьте винт дверцы лампы (внутренняя крышка) крестообразной отверткой, затем откройте дверцу лампы.



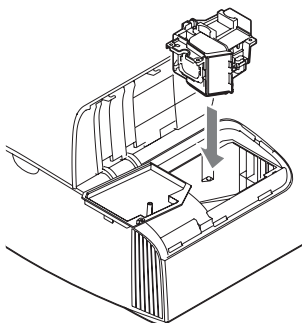
- 5** Ослабьте 3 винта на лампе крестообразной отверткой. Удерживая зажим, извлеките лампу без перекаса.



Примечания

- Не ослабляйте другие винты, кроме 3 указанных.
- Удерживайте лампу за зажим при извлечении и установке лампы.

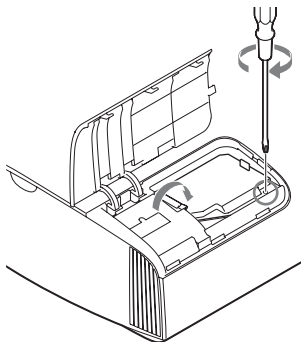
- 6** Вставьте новую лампу, надежно удерживая за зажим, до конца, затем затяните 3 винта.



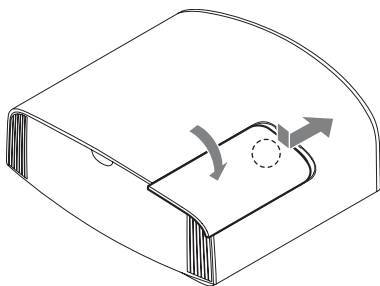
Примечание

Соблюдайте осторожность, не прикасайтесь к оптическому блоку внутри устройства.

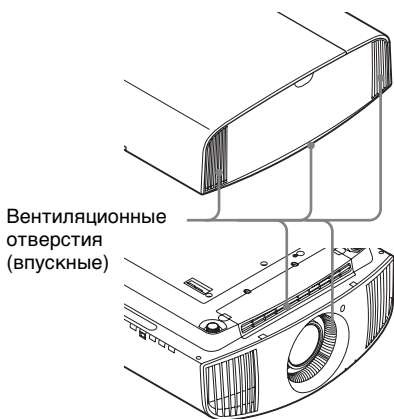
- 7** Закройте дверцу лампы (внутренняя крышка), затем затяните винт.




- 8** Закройте крышку лампы.

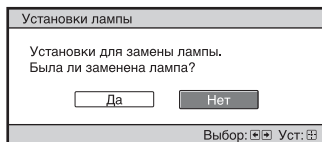


- 9** Сотрите пыль с вентиляционных отверстий (впускные) мягкой тканью.



- 10** Включите устройство, затем выберите требуемый элемент настройки лампы в меню “Настройка” .

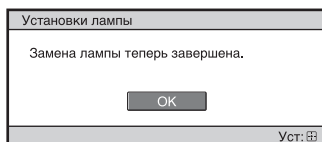
Отобразится следующий экран.



Совет

Если для параметра “Блок. Настроек” установлено значение “Уровень В”; установите значение “Выкл.”

- 11** Выберите “Да”



Осторожно

Не засовывайте руки внутрь паза, служащего для замены лампы, и не допускайте попадания в паз жидкостей или инородных предметов, чтобы исключить риск возгорания и поражения электрическим током.

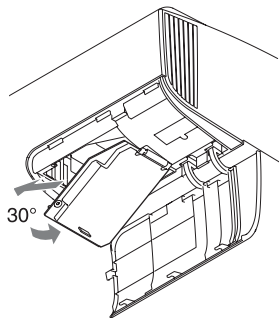
Примечания

- Устройство не включится, пока лампа не будет надежно установлена.
- Устройство не включится, пока не будет надежно закрыта крышка лампы.
- Для удаления сообщения, отображаемого на экране, однократно нажмите любую кнопку на пульте дистанционного управления или на панели управления устройства.

Примечание относительно замены разбитой лампы при установке устройства на потолке

Если лампа разобьется, разлетающиеся осколки могут причинить травму.

Если устройство установлено на потолке, снимите дверцу лампы (внутренняя крышка), медленно сдвинув ее по горизонтали и подняв в открытом положении на 30 градусов. Следите, чтобы дверца лампы (внутренняя крышка) не крутилась.



Примечание

Лампа содержит ртуть. Правила утилизации использованных люминесцентных ламп зависят от места проживания. Следуйте политике утилизации отходов, применяемой в области проживания.

關於快速參考手冊

本快速參考手冊說明用於投射畫面的安裝與基本操作，並說明處理與使用本裝置時，您必須留心的重要事項與注意事項。

必要時請參閱“警告指示燈”和“更換投影燈”。

關於操作的詳細資料，請參閱隨附 CD-ROM 中的操作說明。

步驟 1

準備 第 8 頁

步驟 2

安裝本機 第 9 頁

步驟 3

連接裝置 第 11 頁

步驟 4

選擇選單語言 第 12 頁

步驟 5

投影 第 13 頁

錯誤狀況的處理 警告指示燈 第 15 頁

維護 更換照明燈 第 16 頁

在開始操作本裝置之前，請先仔細閱讀本手冊，並保留本手冊以供日後參考。

警告

若要避免起火或觸電危險，請勿將本機器曝露在雨中或潮濕環境中。為避免觸電，切勿擅自打開機殼檢修，必須找合格人員為您服務。

警告

此設備必須接地線。

警告

當安裝本裝置時，請在固定線路中配置一個可方便使用的斷電裝置，或將電源插頭連接至靠近裝置且可方便使用的電源插座。如果在裝置運作期間發生故障，請操作斷電裝置以便將電源關閉，或拔下電源插座。

注意

基於安全，如果周邊裝置連線可能具有極高的電壓，則不可將周邊裝置接頭連接至下列連接埠：

LAN 接頭

警告

1. 使用符合各國適行安全法規的核准電源線（3 接腳）/ 設備接頭 / 具接地接頭的插頭。
2. 使用符合正確電壓（電壓、安培）的電源線（3 接腳）/ 設備接頭 / 插頭。

如果您對使用上述電源線 / 設備接頭 / 插頭有任何問題，請洽詢合個的維修人員。

注意

- 如果更換的電池不正確，會有爆炸的危險。僅使用製造商建議的同一種或相當類型的電池進行更換。
- 棄置電池或本產品時，必須遵照相關區域或國家的法律。請勿以將電池或本產品投入火中或高熱烤箱的方式加以棄置，否則可能會爆炸或引發火災。請勿讓電池承受極低氣壓，否則可能會爆炸，或是洩漏易燃液體或氣體。

- 請勿將電池置於高溫場所，如陽光直射處或靠近火源處，否則可能會著火、爆炸或引發火災。請勿將電池浸入淡水或海水中，否則可能會造成觸電。

注意

遙控器需使用下列尺寸及數量的電池。

- AA 尺寸（R6）
 - 兩顆
- 為避免爆炸風險，僅可使用下列類型的電池。
- AA 尺寸（R6）錳電池或鹼性電池。

更換 / 棄置 3D 眼鏡電池的注意事項

若電池更換不正確，可能引起爆炸。僅能使用製造商建議的相同或同類型電池進行更換。

當您棄置電池時，必須遵循當地或所在國家的法律規定。

關於 3D 眼鏡

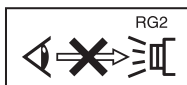
3D 眼鏡透過藍牙技術與投影機通訊以顯示 3D 訊號。

(a) 無線電設備運作的頻率波段：

2.4 - 2.4835 GHz

(b) 無線電設備運作的頻率波段中發送的最大無線電頻率功率：

4.30 dBm (E.I.R.P.)



與任何明亮的光源一樣，請勿直視光束，RG2 IEC 62471-5:2015。

無線電磁波法規

第十二條

經型式認證合格之低功率射頻電機，非經許可，公司、商號或使用者均不得擅自變更頻率、加大功率或變更原設計之特性及功能。

第十四條

低功率射頻電機之使用不得影響飛航安全及干擾合法通信；經發現有干擾現象時，應立即停用，並改善至無干擾時方得繼續使用。前項合法通信，指依電信法規定作業之無線電通信。

低功率射頻電機須忍受合法通信或工業、科學及醫療用電波輻射性電機設備之干擾。



廢電池請回收

設備名稱：家庭劇院投影機						
單元	限用物質及其化學符號					
	鉛 (Pb)	汞 (Hg)	鎘 (Cd)	六價鉻 (Cr ⁺⁶)	多溴聯苯 (PBB)	多溴二苯醚 (PBDE)
印刷電路板	—	○	○	○	○	○
外殼	—	○	○	○	○	○
光學組件	—	—	○	○	○	○
電源供應單元	—	○	○	○	○	○
輸出入端子	—	○	○	○	○	○
配件 (遙控器 / 電源線)	—	○	○	○	○	○
備考 1. “○” 係指該項限用物質之百分比含量未超出百分比含量基準值。						
備考 2. “—” 係指該項限用物質為排除項目。						

T4-2

注意事項

關於安全

- 確定本機的操作電壓與您當地的供電電壓相同。
- 若有任何液體或固體滲入或掉入機殼中，請拔下本機插頭，並請合格人員檢查，然後才可繼續使用。
- 如果打算幾天不使用本機，請將本機的插頭從牆上插座拔下。
- 若要拔掉電源線，請抓住插頭拔出。切勿拉扯電源線本身。
- 牆上插座必須靠近本機並易於插拔。
- 只要本機的電源線仍連接在牆壁電源插座上，即使本機的電源已經關閉，但本機仍然未與交流電源斷開連接。
- 投影燈開啟時請勿直視鏡頭。
- 請勿將手或物體置於通風孔附近。排氣溫度高。

關於防止內部積熱

使用 I/⏻ (ON/STANDBY) 按鈕關閉電源後，請勿在冷卻風扇仍運轉時斷開本機與牆上電源插座的連接。

注意

本機配備通風孔（進氣與排氣）。請勿阻塞通風孔或是在附近放置任何物品，以免內部過熱，造成畫質變差或本機受損。

關於重新包裝

請保存原先的外箱和包裝材料；當您需要運送本機時將十分便利。為了獲得最大保護，請依照原廠包裝方式重新包裝本機。

關於觀看 3D 視訊影像

安全注意事項

- 觀看 3D 視訊影像時，只能使用 3D 眼鏡。
- 若您發現跳動或閃爍的情形，請關閉室內照明。
- 沒有成人適當監督下的兒童不可使用本產品。
- 在彎折鏡框時，請小心不要使 3D 眼鏡的轉軸夾到手指。
- 請勿改裝 3D 眼鏡或使其掉落。
- 如果眼鏡破碎，請讓嘴巴或眼睛避開碎片。

關於 LCD 投影機

LCD 投影機採用高精度技術製造。不過，您可能會發現細小的黑點和 / 或亮點（紅色、藍色或綠色）一直出現在 LCD 投影機上。這是製造過程的正常結果，並不是故障。

此外，當您使用多個 LCD 投影機投射到螢幕上時，即使其型號相同，這些投影機之間的色彩重現可能不同，因為每台投影機的色彩平衡設定可能不同。

關於凝結

如果安裝投影機的地方室內溫度快速改變，或是將投影機從寒冷的地方突然移至溫暖的地方，投影機內可能會產生凝結。由於凝結可能造成故障，因此請小心調整空調機的溫度設定。如果產生凝結，讓投影機電源打開擱置約兩小時後再使用。

關於安全的注意事項

- 由於未針對傳輸裝置採取適當的安全措施，因傳輸規格造成無法避免的資料洩漏，或是任何安全問題所導致的任何損壞，SONY 恕不負責。
- 視操作環境而定，網路上未經授權的第三方可能可以存取本機。連接本機至網路時，請確定確認網路受到安全防护。
- 為了安全考量，使用連接網路的本機時，強烈建議透過網頁瀏覽器存取控制視窗，並變更原廠預設值的存取限制設定（請參閱操作說明中的“使用網路功能”）。也建議定期變更密碼。
- 在進行設定期間或進行設定之後，請勿在網頁瀏覽器中瀏覽任何其他網站。由於仍在網頁瀏覽器中維持登入狀態，完成設定時請關閉網頁瀏覽器，以防止未經授權的第三方使用本機或是有害程式運作。

無論在保固期內外，對於將本機用於非一般家庭使用所導致的任何損壞，SONY 恕不負責。

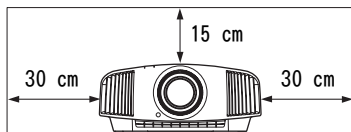
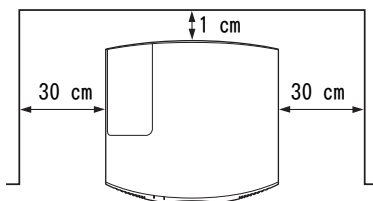
關於安裝和使用的注意事項

不適合的安裝

在下列情況下請勿放置本機，以免造成本機故障或損壞。

靠近牆壁

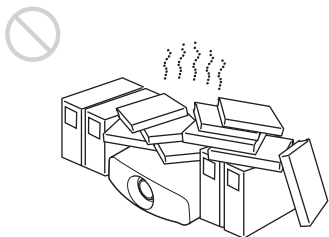
為保持本裝置的性能與可靠度，請在裝置與牆壁之間留下空間，如圖所示。



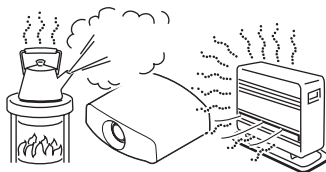
來自於空調機，或本機或其他裝置通風孔的空氣可能會造成螢幕震動。請勿將本機安裝於空調機或這些裝置通風孔送出的空氣會吹到本機正面的區域中。

通風不良的地方

在本機周圍留下 30 cm 以上的空間。

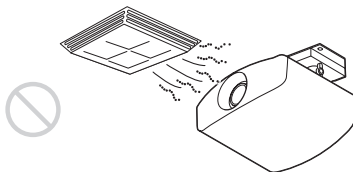


高溫和潮濕



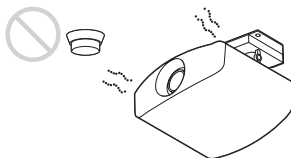
會遭受空調機直接冷風或暖風吹到的位置

將本裝置安裝於這種位置，可能會因為濕氣凝結或溫度上升而導致裝置故障。

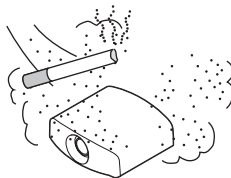


靠近熱量或煙霧偵測器

偵測器可能會故障。



多塵和多煙的地方



不適合的條件

使用本機時，切勿進行以下任何一項操作。

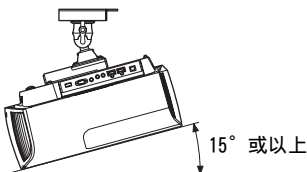
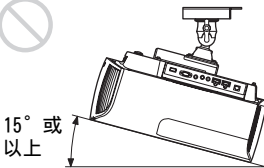
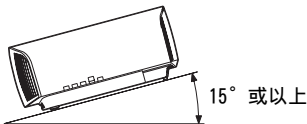
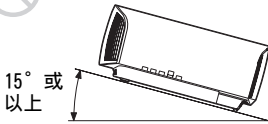
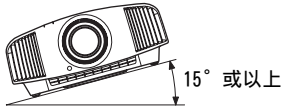
前 / 後和左 / 右傾斜

請避免以超過 15 度的傾斜角度來使用本裝置。


請勿將本裝置安裝於水平表面或天花板之外的任何位置。將本裝置安裝於那些位置可能造成色彩不一致，或降低投影燈的效果可靠度。

如果本裝置向上或向下傾斜，螢幕上的影像可能會變成梯形。

本裝置的放置方式要使鏡頭與螢幕平行。



在高地安裝本機時

在 1500 m 或更高的海拔使用本機時，將設置  選單上的“高海拔高度模式”設定為“開”。在高地使用本機時，若未設定此模式，可能會造成不良影響，例如降低某些元件的可靠性。

將本機安裝在天花板上的安全注意事項

- 切勿自行將投影機安裝在天花板上或搬運投影機。務必洽詢合格的 Sony 人員（需付費）。
- 將本機安裝在天花板上時，務必使用安全鋼索線等以防止本機掉落。請將安裝工作委託給有經驗的承包商或安裝人員。

對於經銷商

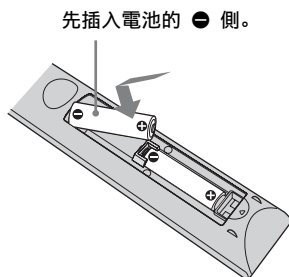
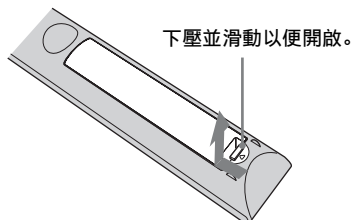
- 將投影機安裝在天花板上時，必須使用 Sony 支架或建議的同等支架進行安裝。
- 牢牢安裝到天花板時，務必牢牢固定機殼蓋。

檢查隨附配件

請檢查包裝箱，確定含有下列物品：

- 遙控器 (1)
VPL-VW570ES: RM-PJ24
VPL-VW270ES: RM-PJ28
- AA (R6) 錳電池 (2)
- 鏡頭蓋 (1)
購買投影機時，鏡頭蓋在鏡頭上。請
在使用投影機之前取下鏡頭蓋。
- AC 電源線 (1)
- 快速參考手冊 (本手冊) (1)
- 操作說明 (CD-ROM) (1)

將電池插入遙控器內



處理遙控器時的注意事項

- 請小心握持遙控器。請勿讓它掉落或遭到踩踏，或噴濺到任何液體。
- 請勿將遙控器置於靠近熱源或遭受直接日照之處，或潮濕的房間內。

使用 CD-ROM 手冊

您可使用電腦上所安裝的 Adobe Reader 閱讀手冊。

您可免費從 Adobe 網站下載 Adobe Reader。

1 開啟 CD-ROM 中的 index.html 檔案。

2 選擇並按一下希望閱讀的手冊。

注意

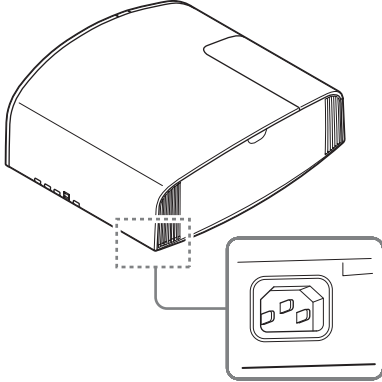
若您遺失或損壞 CD-ROM，可向 Sony 經銷商或 Sony 服務櫃台購買新品。

步驟 2

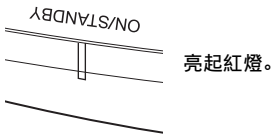
安裝本機

- 1 放置本機時，要使鏡頭與螢幕平行。
- 2 將交流電源線連接至本機後，將交流電源線插入牆壁電源插座。

本機背面



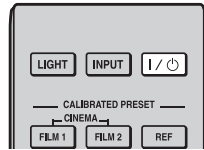
本機正面



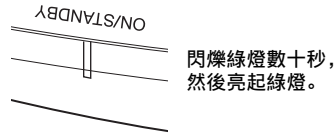
註

將 AC 電源線連接本裝置之後，ON/STANDBY 指示燈可能閃爍橙色。指示燈正在閃爍時可能無法控制本裝置，但這不是故障。請等到指示燈停止閃爍並穩定亮紅色。

- 3 按下 I/⏻ (ON/STANDBY) 按鈕開啟本機。

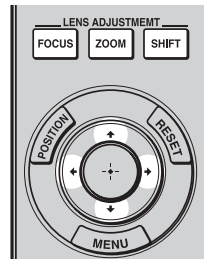


本機正面



- 4 將影像投影在螢幕上，然後調節對焦、大小和位置。

VPL-VW570ES

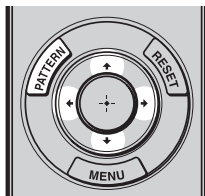


- 1 調整對焦。
按下 LENS ADJUSTMENT (FOCUS) 按鈕顯示鏡頭對焦調整窗口（測試模式）。然後按下 ↑/↓/←/→ 按鈕調整影像對焦。
- 2 調整影像尺寸。
按下 LENS ADJUSTMENT (ZOOM) 按鈕顯示鏡頭縮放調整窗口（測試模式）。然後按下 ↑/↓/←/→ 按鈕調整影像尺寸。

③ 調整影像位置。

按下 LENS ADJUSTMENT (SHIFT) 按鈕顯示鏡頭移位調整窗口 (測試模式)。然後按下 $\uparrow/\downarrow/\leftarrow/\rightarrow$ 按鈕調整到影像的適當位置。

VPL-VW270ES



① 調整對焦。

反覆按下 PATTERN 按鈕顯示鏡頭對焦調整窗口 (測試模式)。然後按下 $\uparrow/\downarrow/\leftarrow/\rightarrow$ 按鈕調整影像對焦。

② 調整影像尺寸。

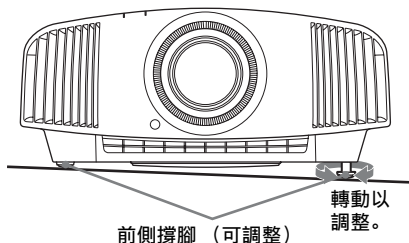
反覆按下 PATTERN 按鈕顯示鏡頭縮放調整窗口 (測試模式)。然後按下 $\uparrow/\downarrow/\leftarrow/\rightarrow$ 按鈕調整影像尺寸。

③ 調整影像位置。

反覆按下 PATTERN 按鈕顯示鏡頭移位調整窗口 (測試模式)。然後按下 $\uparrow/\downarrow/\leftarrow/\rightarrow$ 按鈕調整到影像的適當位置。

調整安裝表面的傾斜度

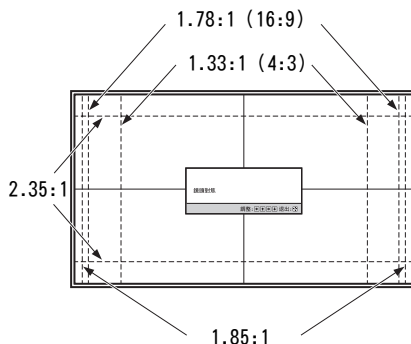
如果本機安裝在不平整的表面上，請使用前側撐腳 (可調整) 使本機保持水平。



註

- 如果本機向上或向下傾斜，投影影像可能會呈梯形。
- 轉動前側撐腳 (可調整) 時，小心不要夾到手。

鏡頭調整窗口 (測試模式)



虛線顯示各長寬比的螢幕尺寸。

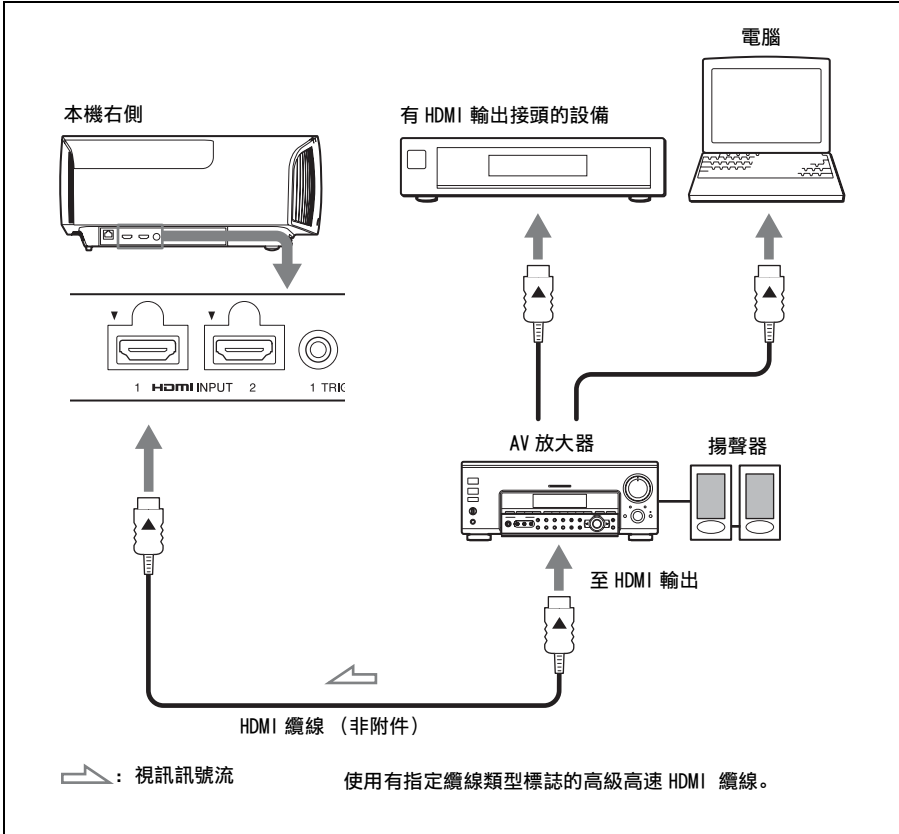
如需詳細資訊，請參閱隨附 CD-ROM 內操作說明中的“連接和準備”。

步驟 3

連接裝置

進行連接時，務必執行以下操作：

- 進行任何連接之前，關閉所有設備。
- 為每個連接使用適當的纜線。
- 正確插入纜線插頭；插頭處連接不良可能會造成故障或影像品質差。拉出纜線時，務必從插頭拉出，而不是拉纜線本身。
- 請參閱相連設備的使用說明書。



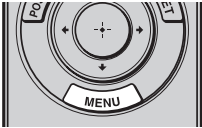
如需詳細資訊，請參閱隨附 CD-ROM 內操作說明中的“連接和準備”。

步驟 4

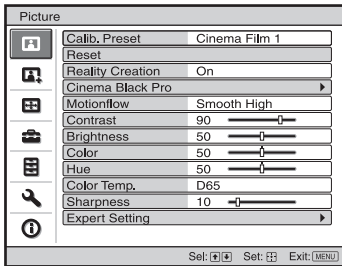
選擇選單語言

您可選擇用於顯示選單與其他螢幕顯示所用的語言。若要變更目前選單語言，請以選單畫面設定所要的語言。

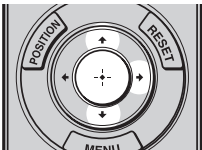
1 按下 MENU。



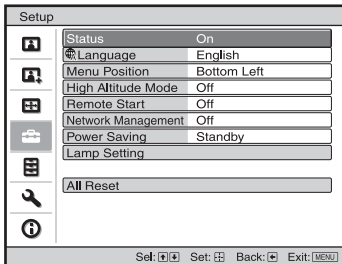
顯示選單。



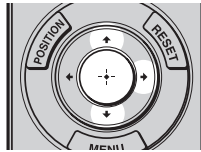
2 按下 ↑/↓ 以選擇 Setup 選單，然後按下 → 或 ⏻。



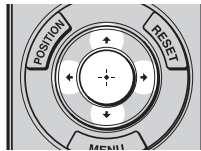
顯示所選選單的設定項目。



3 按下 ↑/↓ 以選擇 “Language”，然後按下 → 或 ⏻。



4 按下 ↑/↓/←/→ 選擇語言，然後按下 ⏻。



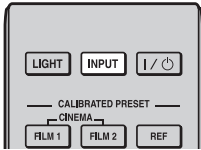
選單變更為所選語言。

若要清除選單

按下 MENU。

投影影像

- 1 開啟本機和連接本機的設備。
- 2 按下 INPUT 在螢幕上顯示輸入面板。



- 3 選擇要顯示影像的設備。
反覆按 INPUT 或按 $\uparrow/\downarrow/\oplus$ (輸入) 選擇要投影的設備。



範例：檢視本機 HDMI 1 接頭所連接視訊設備中的影像。

關閉電源

- 1 按 I/O (ON/STANDBY) 按鈕。
螢幕上出現“斷電？”訊息。
- 2 此訊息消失前再次按下 I/O (ON/STANDBY) 按鈕。
ON/STANDBY 指示燈閃爍綠燈，且風扇持續運轉以減少內部熱量。

風扇停止，且 ON/STANDBY 指示燈從閃爍綠燈變成恆亮紅燈。

電源完全關閉，然後您可以斷開 AC 電源線的連接。

註

切勿在指示燈閃爍時斷開 AC 電源線的連接。

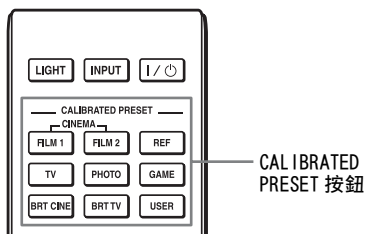
提示

若不執行上述步驟，按住 I/O (ON/STANDBY) 按鈕約 1 秒也可關閉本機。

如需詳細資訊，請參閱隨附 CD-ROM 內操作說明中的“投影”。

選擇影像觀看模式

按 CALIBRATED PRESET 按鈕之一。



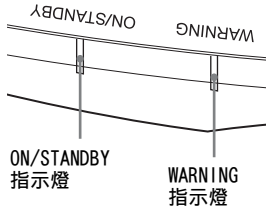
設定項目	說明
CINEMA FILM 1	這種影像品質適用於再現主要正片的高度動態和清晰的影像。
CINEMA FILM 2	這種影像品質適用於基於影院 膠片 1 再現電影院典型的豐富色調和色彩。
REF	這種影像品質設定適用於忠實再現原始影像品質，或適用於欣賞不經任何調整的影像品質。
TV	這種影像品質適用於觀看電視節目、體育運動、音樂會和其他視訊影像。
PHOTO	非常適用於投影用數位相機拍攝的靜態影像。
GAME	這種影像品質適用於玩遊戲，具有非常柔和的色彩且反應速度快。
BRT CINE	這種影像品質適用於在客廳等明亮的環境中觀看電影。
BRT TV	這種影像品質適用於在客廳等明亮的環境中觀看電視節目、體育運動、音樂會和其他視訊影像。
USER	調整影像品質以滿足您的需求，然後儲存設定。原廠預設設定與“REF”相同。

如需詳細資訊，請參閱隨附 CD-ROM 內操作說明中的“投影”。

錯誤狀況的處理

警告指示燈

如果投影機出現任何故障，ON/STANDBY 或 WARNING 指示燈會亮起或閃爍。



指示燈閃爍 / 亮起	閃爍次數	原因和解決方法
<p>(亮起紅燈) (閃爍紅燈)</p>	兩次	關好照明燈蓋，然後旋緊螺絲。
	三次	照明燈溫度異常高。關閉電源，等待照明燈冷卻，然後再次開啟電源。如果症狀仍然存在，照明燈的使用壽命可能已結束。在此情況下，請更換新的照明燈。
<p>(閃爍紅燈) (閃爍紅燈) 兩個指示燈均閃爍</p>	兩次	內部溫度異常高。檢查以確保通風孔未阻塞，或者是否在高海拔地區使用本機。
	三次	風扇損壞。請洽詢合格的 Sony 人員。

註

如果在採取上述方法後症狀仍然存在，請洽詢合格的 Sony 人員。

如果指示燈閃爍的方式不是上述任何一種，請用本機遙控器或控制面板上的 (開 / 待機) 按鈕關閉電源，然後再開啟電源。

如果症狀再次出現，請洽詢合格的 Sony 人員。

若有任何問題或畫面上顯示錯誤訊息，請參閱隨附 CD-ROM 內操作說明中的“故障排除”。

用作光源的照明燈具有特定的使用壽命。照明燈變暗、影像的色彩平衡變奇怪，或是螢幕上出現“請更換照明燈。”時，照明燈的電量可能已耗盡。請立即更換新的照明燈（非附件）。

提示

用作光源的照明燈使用壽命因安裝環境或使用情況而異。避免在開啟照明燈後過數分鐘才關閉照明燈，這樣可以延長照明燈的使用壽命。

操作所需工具：

- 投影機照明燈（選購）
VPL-VW570ES：LMP-H280
VPL-VW270ES：LMP-H220
- 標準十字螺絲起子
- 布（防刮傷）

注意

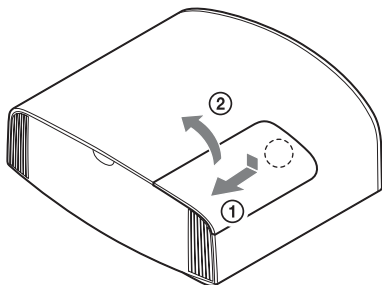
- 用 **I/⏻**（ON/STANDBY）按鈕關閉本機後，照明燈仍熱燙。如果您觸碰照明燈，可能會燙傷手指。更換照明燈時，請等待至少 1 小時，讓照明燈冷卻。
- 請勿觸碰照明燈表面。如果觸碰，請用軟布擦掉指紋。
- 若本機安裝在天花板上，更換照明燈要特別小心。
- 更換天花板上的本機照明燈時，請勿站在照明燈蓋正下方。取下照明燈門（內蓋）時，避免扭轉。如果照明燈炸開，碎片可能會造成人身傷害。
- 取下照明燈具時，務必保持水平，然後筆直向上拉。請勿傾斜照明燈具。如果您在照明燈具傾斜的狀態將其拉出，若照明燈破裂，碎片可能散射，造成人身受傷。

註

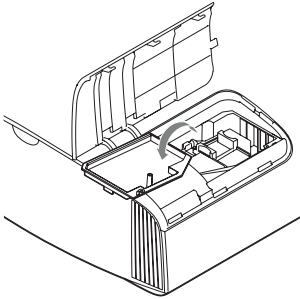
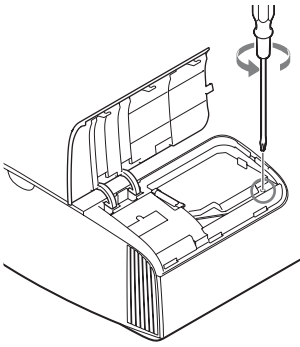
- 請務必使用指定的投影燈進行更換。如果使用非指定的投影燈，本機可能發生故障。
- 更換照明燈前，務必關閉本機並拔下電源線，然後確定 ON/STANDBY 指示燈已關閉。

更換照明燈

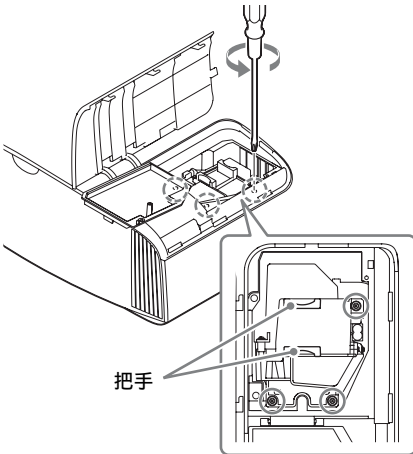
- 1 關閉本機，然後拔下 AC 電源線。
- 2 在桌子等平面上設置本機時，請放一塊布，以免刮傷表面。將本機放在布上。
註
確定本機放置在穩定的表面上。
- 3 在按住照明燈蓋圖示中指示的Ⓐ部分的同時，滑動Ⓑ然後打開Ⓒ照明燈蓋。



- 4 用十字螺絲起子旋鬆照明燈門（內蓋）螺絲，然後打開照明燈門。



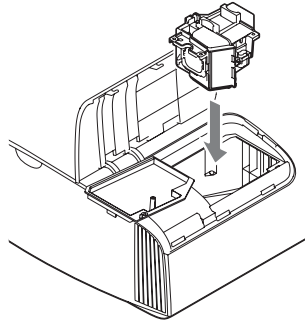
- 5 用十字螺絲起子旋鬆照明燈上的 3 個螺絲。抬起把手，然後將照明燈筆直拉出。



註

- 請勿旋鬆 3 個指定螺絲以外的螺絲。
- 取下和安裝時，請握持照明燈的把手。

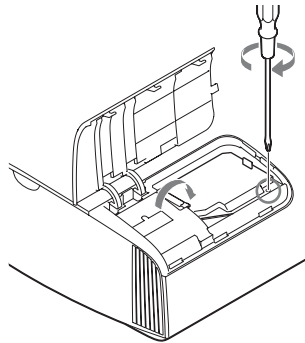
- 6 握持新照明燈的把手，牢牢推入到底，然後旋緊 3 個螺絲。



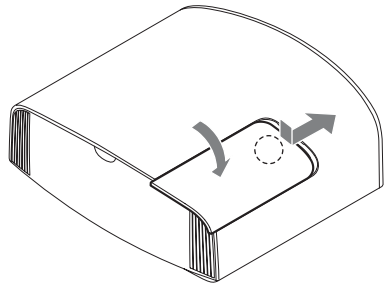
註

小心不要觸碰本機內部的光學區塊。

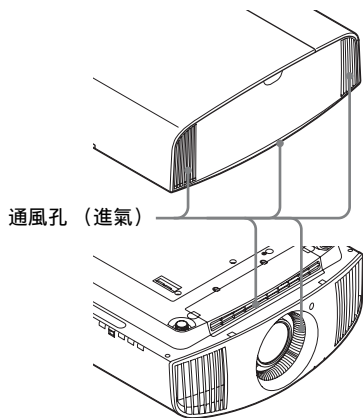
- 7 關閉照明燈門（內蓋），然後旋緊螺絲。




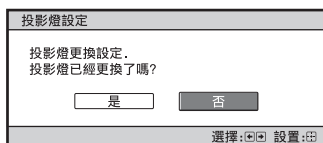
- 8 關閉照明燈蓋。



- 9 用軟布擦掉通風孔（進氣）上的灰塵。



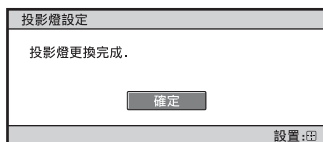
- 10 開啟本機，然後選擇設置  選單上的照明燈設定項目。
將出現以下選單畫面。



提示

如果“設定鎖定”設定為“等級B”，請設定為“關”。

- 11 選擇“是”。



注意

請勿將手放在照明燈更換插槽內，而且請勿讓任何液體或其他物體進入插槽，以免發生觸電或火災。

註

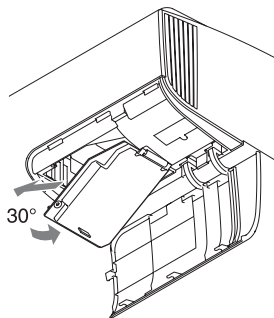
- 除非照明燈已安裝就位，否則本機無法開啟。
- 除非照明燈蓋已關緊，否則本機無法開啟。

- 若要清除螢幕上顯示的訊息，請按一下遙控器或本機控制面板上的任何按鈕。

更換損壞的天花板安裝式照明燈的注意事項

如果照明燈破裂，照明燈碎片可能會散射並造成人身傷害。

本機安裝在天花板上時，將照明燈門（內蓋）打開 30 度提起後緩慢水平滑動以取下。避免扭轉照明燈門（內蓋）。



註

照明燈含水銀。使用過的螢光燈管的處理規則視您的居住地而異。請依照您所在地區的廢棄物處理政策。

