

# PRODUCT FAMILY DATASHEET

## ENDURA® STYLE SOLAR DOUBLE CIRCLE

Solar-powered lantern luminaires with motion and light sensor, two circles



### Areas of application

- Outdoor use (IP44)
- Areas where no power supply is available

### Product benefits

- Demand based lighting and energy saving thanks to motion and daylight sensor
- Easy adjustment of daylight and motion detection via push switch
- Energy-efficient thanks to LED technology
- Easy and quick installation

### Product features

- Solar powered outdoor LED luminaire
- PIR motion detector and daylight sensor
- 3 operating modes selectable
- Operating mode 1: light continuous on with 200 lumen (Max. 2.5 hours at full charge)
- Operating mode 2: light continuous on with 75 lumen (Max. 8 hours at full charge), switches to 300 lumen when moving (Max. 100 times lit at full charge)
- Operating mode 3: light off, switches to 400 lumen when moving (Max. 100 times lit at full charge)
- Battery charging via solar panel
- Battery technology: lithium-ion
- Stainless steel housing



## TECHNICAL DATA

## Electrical data

Product description	Nominal wattage	Operating mode	Nominal voltage
ENDURA STYLE Solar Sensor Wall Double Circle 6W ST	6.00 W	Battery	3,2 V
ENDURA STYLE Solar Sensor Post Double Circle 40CM 6W ST	6.00 W	Battery	3,2 V
ENDURA STYLE Solar Sensor Post Double Circle 40CM 6W BK	6.00 W	Battery	3,2 V
ENDURA STYLE Solar Sensor Wall Double Circle 6W BK	6.00 W	Battery	3,2 V

## Luminaire sensor data

Product description	Type of sensor	Sensor technology	Sensor detection angle	Sensor controlled switching time	Detection range of motion sensor
ENDURA STYLE Solar Sensor Wall Double Circle 6W ST	Light / Motion	Passive infrared (PIR)	90 °	15 s	6 m
ENDURA STYLE Solar Sensor Post Double Circle 40CM 6W ST	Light / Motion	Passive infrared (PIR)	90 °	15 s	6 m
ENDURA STYLE Solar Sensor Post Double Circle 40CM 6W BK	Light / Motion	Passive infrared (PIR)	90 °	15 s	6 m
ENDURA STYLE Solar Sensor Wall Double Circle 6W BK	Light / Motion	Passive infrared (PIR)	90 °	15 s	6 m

Product description	Detection threshold of daylight sensor
ENDURA STYLE Solar Sensor Wall Double Circle 6W ST	0...100 lx
ENDURA STYLE Solar Sensor Post Double Circle 40CM 6W ST	0...100 lx
ENDURA STYLE Solar Sensor Post Double Circle 40CM 6W BK	0...100 lx
ENDURA STYLE Solar Sensor Wall Double Circle 6W BK	0...100 lx

## Photometrical data

Product description	Color temperature	Luminous flux	Luminous efficacy	Light color (designation)	Standard deviation of color matching
ENDURA STYLE Solar Sensor Wall Double Circle 6W ST	3000 K	400 lm	67 lm/W	Warm White	6 sdcM
ENDURA STYLE Solar Sensor Post Double Circle 40CM 6W ST	3000 K	400 lm	67 lm/W	Warm White	6 sdcM

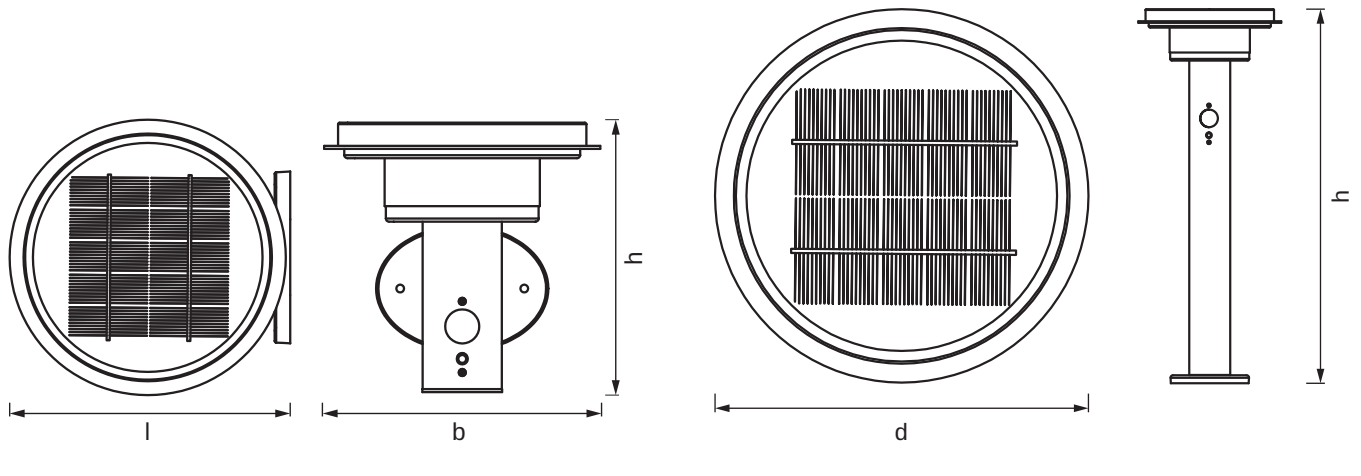
Product description	Color temperature	Luminous flux	Luminous efficacy	Light color (designation)	Standard deviation of color matching
ENDURA STYLE Solar Sensor Post Double Circle 40CM 6W BK	3000 K	400 lm	67 lm/W	Warm White	6 sdc <sub>m</sub>
ENDURA STYLE Solar Sensor Wall Double Circle 6W BK	3000 K	400 lm	67 lm/W	Warm White	6 sdc <sub>m</sub>

Product description	Color rendering index Ra
ENDURA STYLE Solar Sensor Wall Double Circle 6W ST	≥ 80
ENDURA STYLE Solar Sensor Post Double Circle 40CM 6W ST	≥ 80
ENDURA STYLE Solar Sensor Post Double Circle 40CM 6W BK	≥ 80
ENDURA STYLE Solar Sensor Wall Double Circle 6W BK	≥ 80

**Dimensions & weight**

Product description	Length	Height	Width	Product weight
ENDURA STYLE Solar Sensor Wall Double Circle 6W ST	185.00 mm	220.00 mm	178.00 mm	680.000 g
ENDURA STYLE Solar Sensor Post Double Circle 40CM 6W ST		400.00 mm		720.000 g
ENDURA STYLE Solar Sensor Post Double Circle 40CM 6W BK		400.00 mm		720.000 g
ENDURA STYLE Solar Sensor Wall Double Circle 6W BK	185.00 mm	220.00 mm	178.00 mm	680.000 g

**Product line drawing**



ENDURA STYLE Solar Sensor Wall Double Circle 6W BK,

ENDURA STYLE Solar Sensor Post Double Circle 40CM 6W BK

**Colors & materials**

Product description	Body material	Product color	Housing color	Cover material
ENDURA STYLE Solar Sensor Wall Double Circle 6W ST	Stainless steel	Steel	Steel	Polycarbonate (PC)
ENDURA STYLE Solar Sensor Post Double Circle 40CM 6W ST	Stainless steel	Steel	Steel	Polycarbonate (PC)
ENDURA STYLE Solar Sensor Post Double Circle 40CM 6W BK	Stainless steel	Black	Black	Polycarbonate (PC)
ENDURA STYLE Solar Sensor Wall Double Circle 6W BK	Stainless steel	Black	Black	Polycarbonate (PC)

**Temperatures & operating conditions**

Product description	Ambient temperature range
ENDURA STYLE Solar Sensor Wall Double Circle 6W ST	-20...+40 °C
ENDURA STYLE Solar Sensor Post Double Circle 40CM 6W ST	-20...+40 °C
ENDURA STYLE Solar Sensor Post Double Circle 40CM 6W BK	-20...+40 °C
ENDURA STYLE Solar Sensor Wall Double Circle 6W BK	-20...+40 °C

**Lifespan**

Product description	Number of switching cycles	Lifespan L90/B10 at 25 °C
ENDURA STYLE Solar Sensor Wall Double Circle 6W ST	12500	-
ENDURA STYLE Solar Sensor Post Double Circle 40CM 6W ST	12500	-
ENDURA STYLE Solar Sensor Post Double Circle 40CM 6W BK	12500	-
ENDURA STYLE Solar Sensor Wall Double Circle 6W BK	12500	-

#### Additional product data

Product description	Mounting location
ENDURA STYLE Solar Sensor Wall Double Circle 6W ST	Wall
ENDURA STYLE Solar Sensor Post Double Circle 40CM 6W ST	Wall
ENDURA STYLE Solar Sensor Post Double Circle 40CM 6W BK	Wall
ENDURA STYLE Solar Sensor Wall Double Circle 6W BK	Wall

#### Capabilities

Product description	Dimmable	ErP LEDmod replaceable
ENDURA STYLE Solar Sensor Wall Double Circle 6W ST	Yes	Not replaceable
ENDURA STYLE Solar Sensor Post Double Circle 40CM 6W ST	Yes	Not replaceable
ENDURA STYLE Solar Sensor Post Double Circle 40CM 6W BK	Yes	Not replaceable
ENDURA STYLE Solar Sensor Wall Double Circle 6W BK	Yes	Not replaceable

#### Certificates & standards

Product description	Protection class	Type of protection	Standards
ENDURA STYLE Solar Sensor Wall Double Circle 6W ST	III	IP44	CE / EAC / REACH / RoHS
ENDURA STYLE Solar Sensor Post Double Circle 40CM 6W ST	III	IP44	CE / EAC / REACH / RoHS
ENDURA STYLE Solar Sensor Post Double Circle 40CM 6W BK	III	IP44	CE / EAC / REACH / RoHS
ENDURA STYLE Solar Sensor Wall Double Circle 6W BK	III	IP44	CE / EAC / REACH / RoHS

## LOGISTICAL DATA

Product description	Temperature range at storage
ENDURA STYLE Solar Sensor Wall Double Circle 6W ST	-20...+70 °C
ENDURA STYLE Solar Sensor Post Double Circle 40CM 6W ST	-20...+70 °C
ENDURA STYLE Solar Sensor Post Double Circle 40CM 6W BK	-20...+70 °C
ENDURA STYLE Solar Sensor Wall Double Circle 6W BK	-20...+70 °C

## EQUIPMENT / ACCESSORIES

- Complete mounting and connecting accessories included

## APPLICATION ADVICE

For more detailed application information and graphics please see product datasheet.




## SALES AND TECHNICAL SUPPORT

Sales and Technical Support [www.ledvance.com](http://www.ledvance.com)

## COUNTRY SPECIFIC INFORMATION

Product description	Product code	METEL-Code	SEG number	STK number	UK Org
ENDURA STYLE Solar Sensor Wall Double Circle 6W ST	4058075392687	-	-	-	-
ENDURA STYLE Solar Sensor Post Double Circle 40CM 6W ST	4058075392700	-	-	-	-
ENDURA STYLE Solar Sensor Post Double Circle 40CM 6W BK	4058075392748	-	-	-	-
ENDURA STYLE Solar Sensor Wall Double Circle 6W BK	4058075392724	-	-	-	-

## DOWNLOAD DATA

DOWNLOAD DATA	
	User instruction ENDURA STYLE SOLAR WALL SENSOR DOUBLE CIRCLE
	Tender documents Tender Text 4058075392687
	User instruction ENDURA STYLE SOLAR 40CM POST SENSOR DOUBLE CIRCLE

**DOWNLOAD DATA**



Tender documents  
Tender Text 4058075392700



User instruction  
ENDURA STYLE SOLAR 40CM POST SENSOR DOUBLE CIRCLE



Tender documents  
Tender Text 4058075392748



User instruction  
ENDURA STYLE SOLAR WALL SENSOR DOUBLE CIRCLE



Tender documents  
Tender Text 4058075392724

**LOGISTICAL DATA**

Product code	Packaging unit (Pieces/Unit)	Dimensions (length x width x height)	Gross weight	Volume
4058075392687	Folding box 1	187 mm x 187 mm x 233 mm	871.00 g	8.15 dm <sup>3</sup>
4058075392700	Folding box 1	187 mm x 187 mm x 418 mm	969.00 g	14.62 dm <sup>3</sup>
4058075392748	Folding box 1	187 mm x 187 mm x 418 mm	969.00 g	14.62 dm <sup>3</sup>
4058075392724	Folding box 1	187 mm x 187 mm x 233 mm	871.00 g	8.15 dm <sup>3</sup>

The mentioned product code describes the smallest quantity unit which can be ordered. One shipping unit can contain one or more single products. When placing an order, for the quantity please enter single or multiples of a shipping unit.

**DISCLAIMER**

Subject to change without notice. Errors and omission excepted. Always make sure to use the most recent release.